



US00D981555S

(12) **United States Design Patent**
Huang

(10) **Patent No.:** **US D981,555 S**
(45) **Date of Patent:** **** Mar. 21, 2023**

(54) **BREATHING TRAINER**
(71) Applicant: **Longhui Huang**, Dazhu (CN)
(72) Inventor: **Longhui Huang**, Dazhu (CN)
(**) Term: **15 Years**
(21) Appl. No.: **29/853,185**
(22) Filed: **Sep. 14, 2022**
(51) **LOC (14) Cl.** **24-04**
(52) **U.S. Cl.**
USPC **D24/110**
(58) **Field of Classification Search**
USPC D24/110, 108, 110.5, 110.6, 133, 214;
D21/405, 406
CPC A63B 23/18; A63B 23/185; A61M 11/06;
A61M 11/08
See application file for complete search history.

D919,814 S 5/2021 Zikria
D926,308 S 7/2021 Lee
D940,861 S 1/2022 Mosen
D948,027 S 4/2022 Babbage
(Continued)

FOREIGN PATENT DOCUMENTS

GB 6231075 * 10/2022

OTHER PUBLICATIONS

Nascool Respiratory Muscle Trainer Breathing Exercise Device for Lungs. Amazon. Date first available: Oct. 18, 2022. Retrieval date: Dec. 16, 2022. Retrieved from internet: <https://www.amazon.com/dp/B0BJKNVGWD> (Year: 2022).*

(Continued)

Primary Examiner — Daniel J Domino
Assistant Examiner — Lee D. Starr
(74) *Attorney, Agent, or Firm* — Rumit Ranjit Kanakia

(56) **References Cited**

U.S. PATENT DOCUMENTS

D242,956 S * 1/1977 Miller 482/13
4,770,413 A * 9/1988 Green A63B 23/18
482/13
4,973,047 A * 11/1990 Norell A63B 23/18
482/13
5,018,517 A * 5/1991 Liardet A61M 16/0006
482/13
5,899,832 A * 5/1999 Hougen A63B 23/18
482/13
D449,889 S 10/2001 Bischoff
8,485,179 B1 * 7/2013 Meyer A61M 16/0006
128/200.24
D694,876 S * 12/2013 Greenhalgh D24/110.5
D754,329 S * 4/2016 Fleischer D24/110.5
D768,845 S 10/2016 Burkes
D909,583 S 2/2021 Kim et al.
D912,323 S * 3/2021 An D24/209
D914,194 S 3/2021 Fiorenza
D918,378 S 5/2021 Boyle
D919,080 S 5/2021 Lee

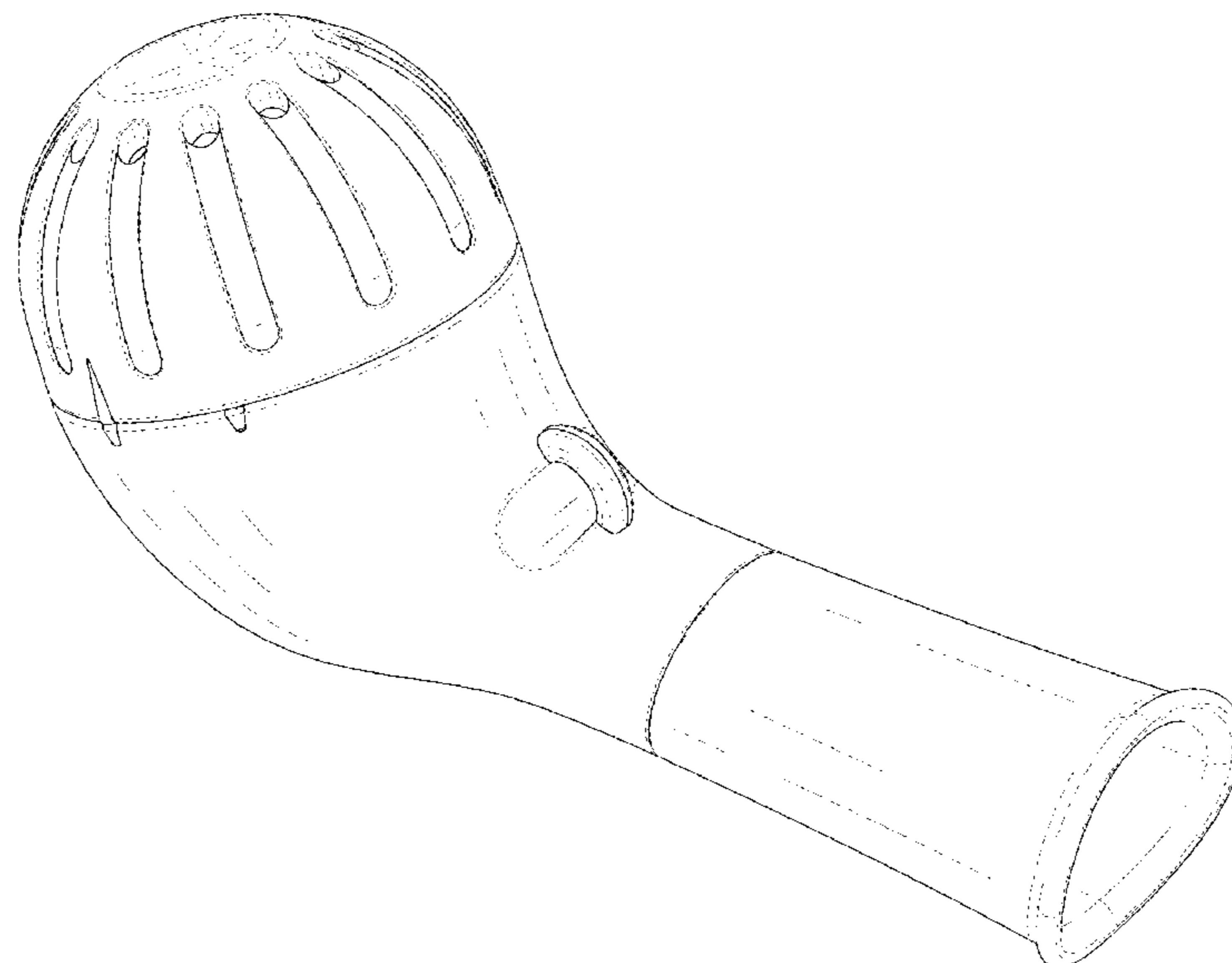
(57) **CLAIM**

The ornamental design for a breathing trainer, as shown and described.

DESCRIPTION

FIG. 1 is a perspective view of a breathing trainer, showing my new design;
FIG. 2 is another perspective view thereof;
FIG. 3 is a front elevational view thereof;
FIG. 4 is a rear elevational view thereof;
FIG. 5 is a left side view thereof;
FIG. 6 is a right side view thereof;
FIG. 7 is a top plan view thereof; and,
FIG. 8 is a bottom plan view thereof.
The broken lines in the figures are for the purposes of illustrating portions of the breathing trainer, which form no part of the claimed design.

1 Claim, 7 Drawing Sheets



(56)

References Cited

U.S. PATENT DOCUMENTS

2004/0146842 A1* 7/2004 Carlucci A63B 21/00192
434/262
2018/0318642 A1* 11/2018 Lunz A61M 16/0066
2021/0059624 A1* 3/2021 Van Rikxoort G06T 7/0012

OTHER PUBLICATIONS

Tilcare Breathing Lung Recovery Exerciser Trainer. Date first available: Apr. 20, 2020. Retrieval date: Dec. 16, 2022. Retrieved from internet: <https://www.amazon.com/dp/B0B1LXY1QG> (Year: 2020).*

* cited by examiner



FIG. 1



FIG. 2

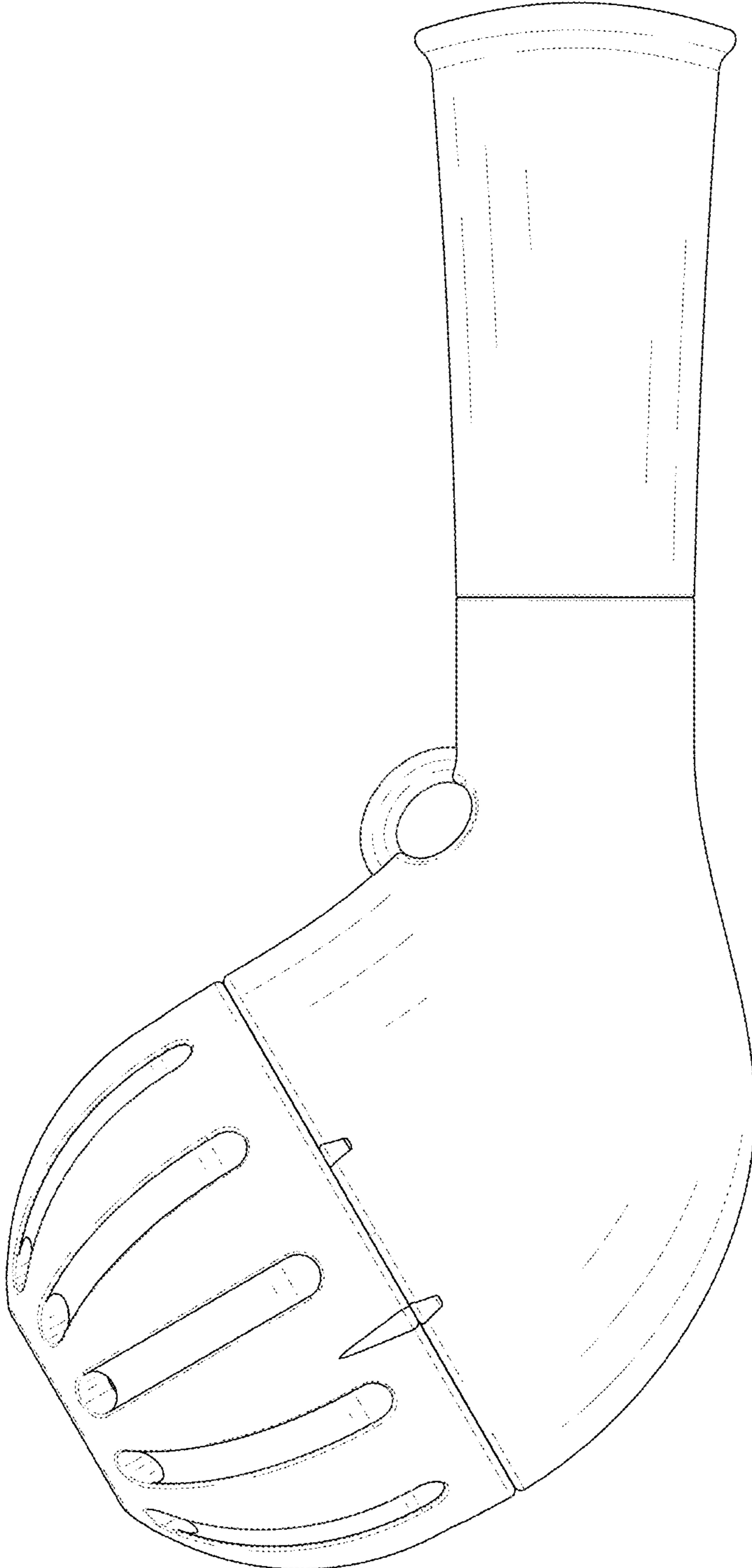


FIG. 3

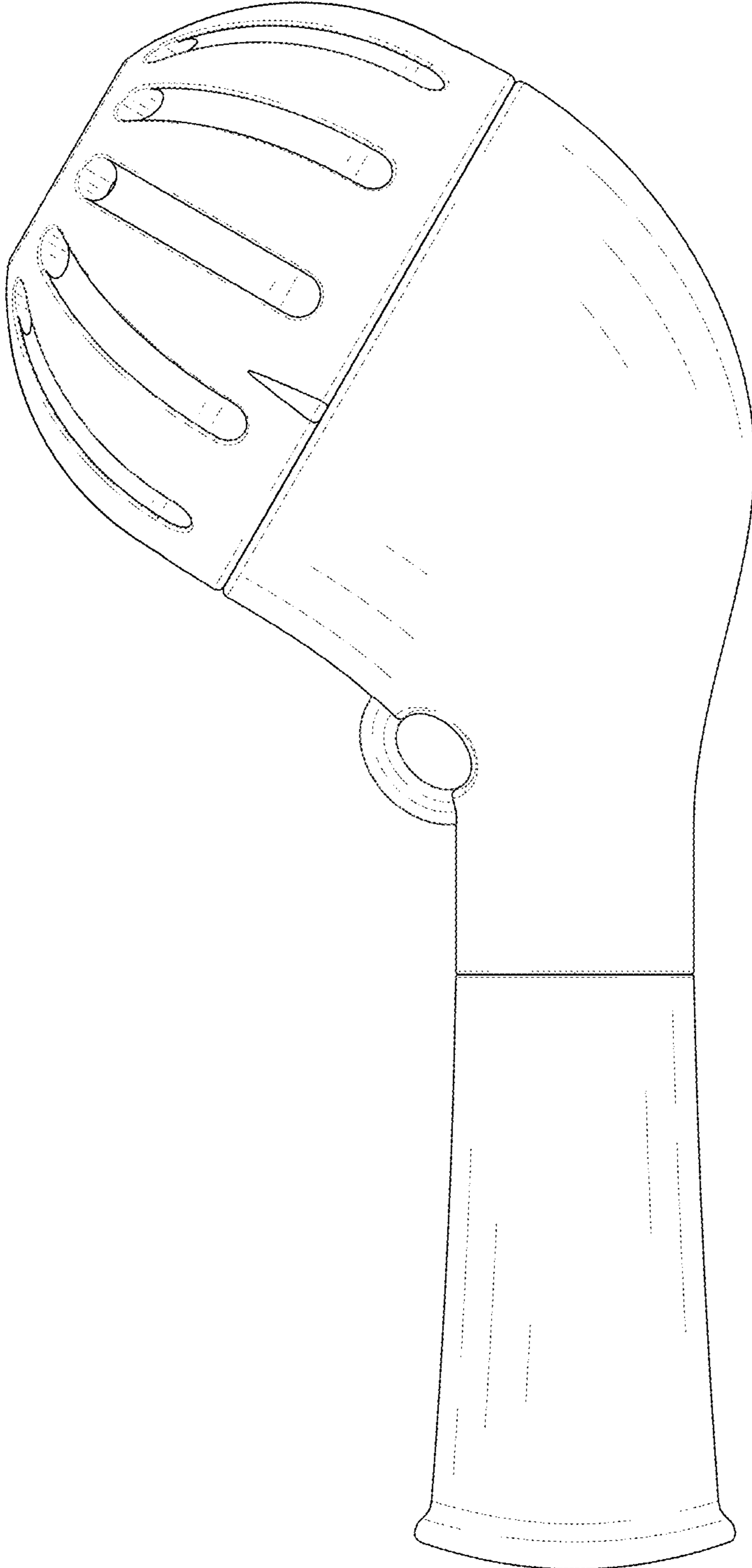


FIG. 4

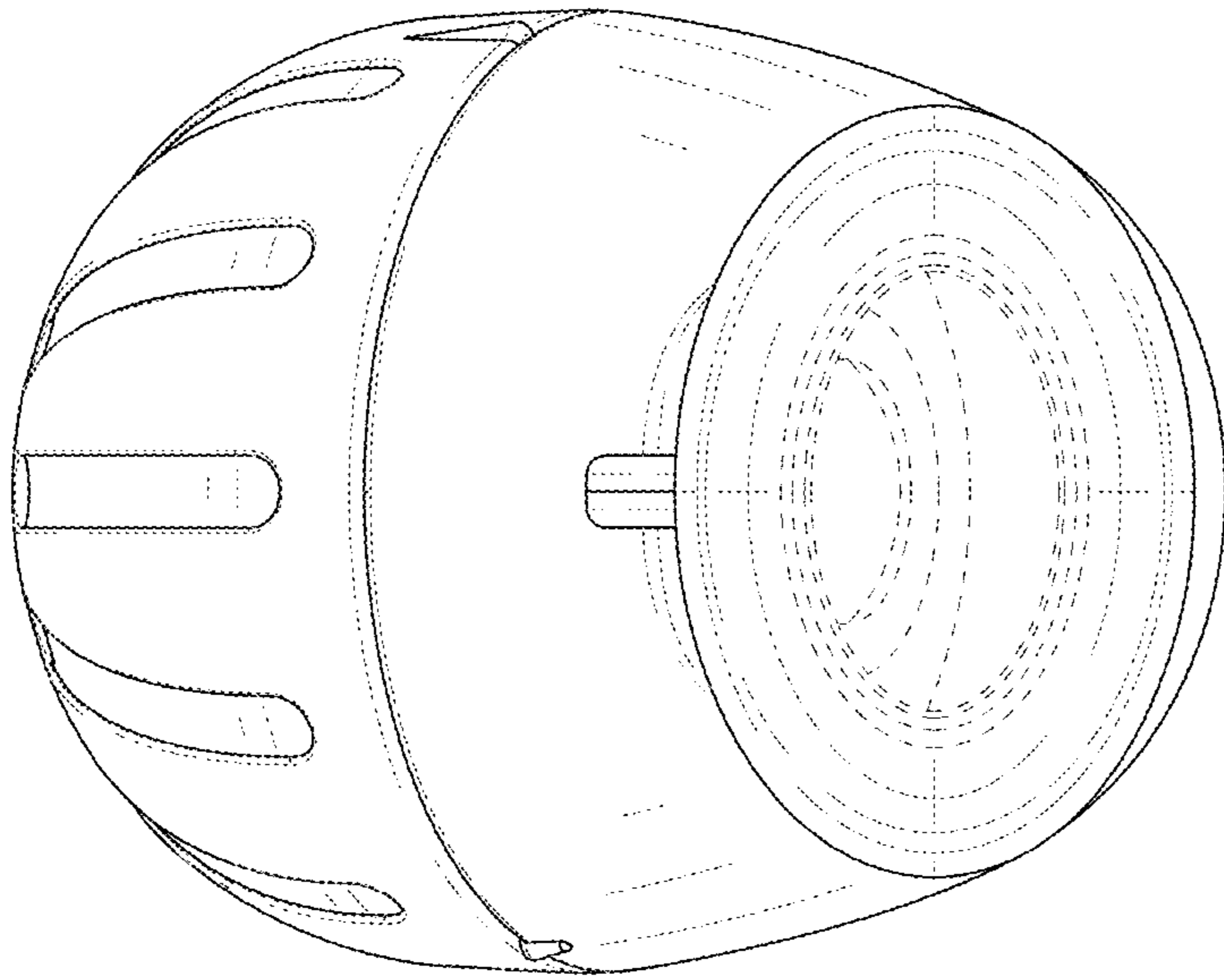


FIG. 6

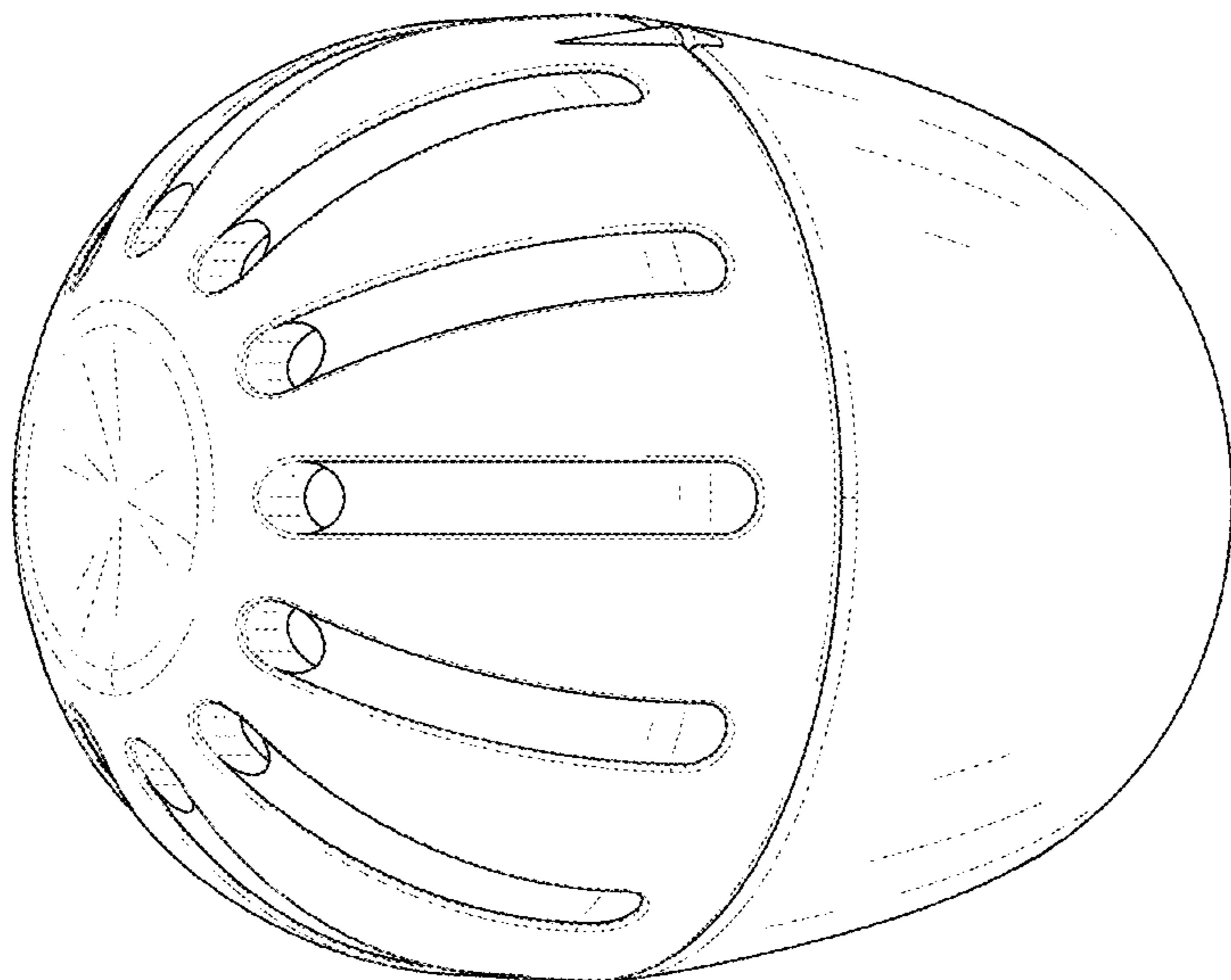


FIG. 5

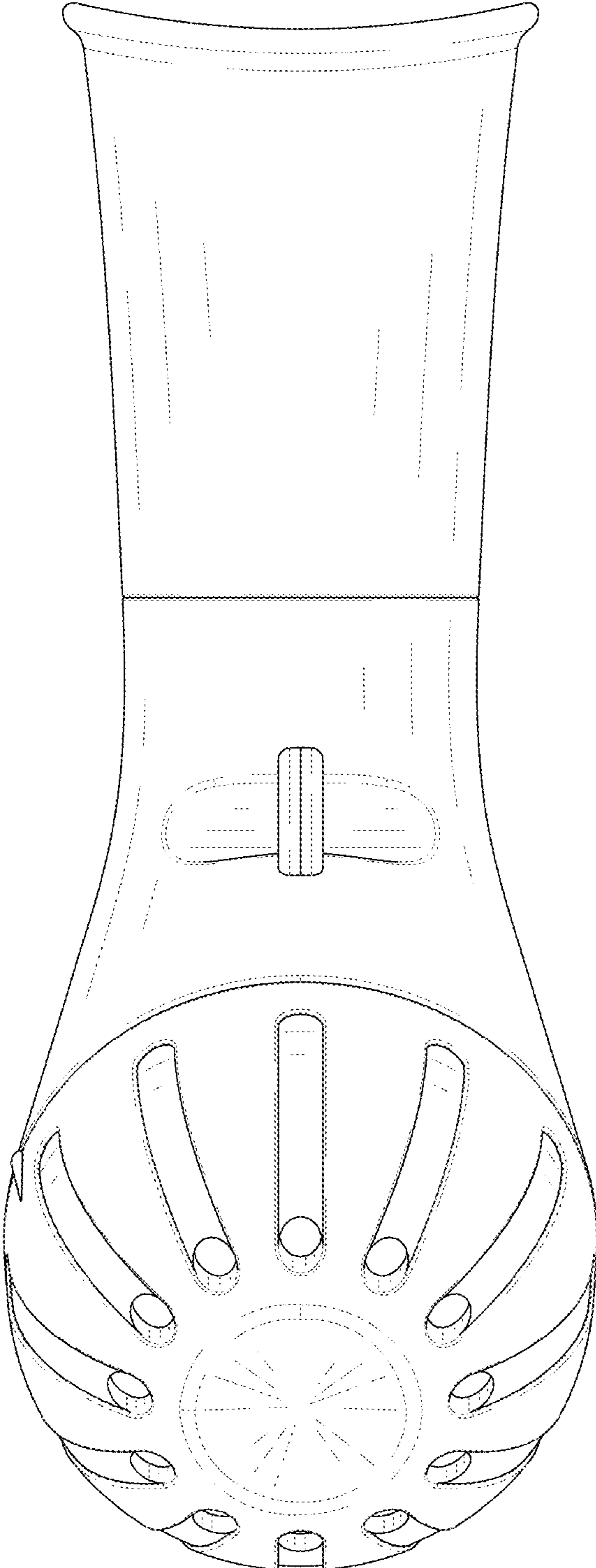


FIG. 7

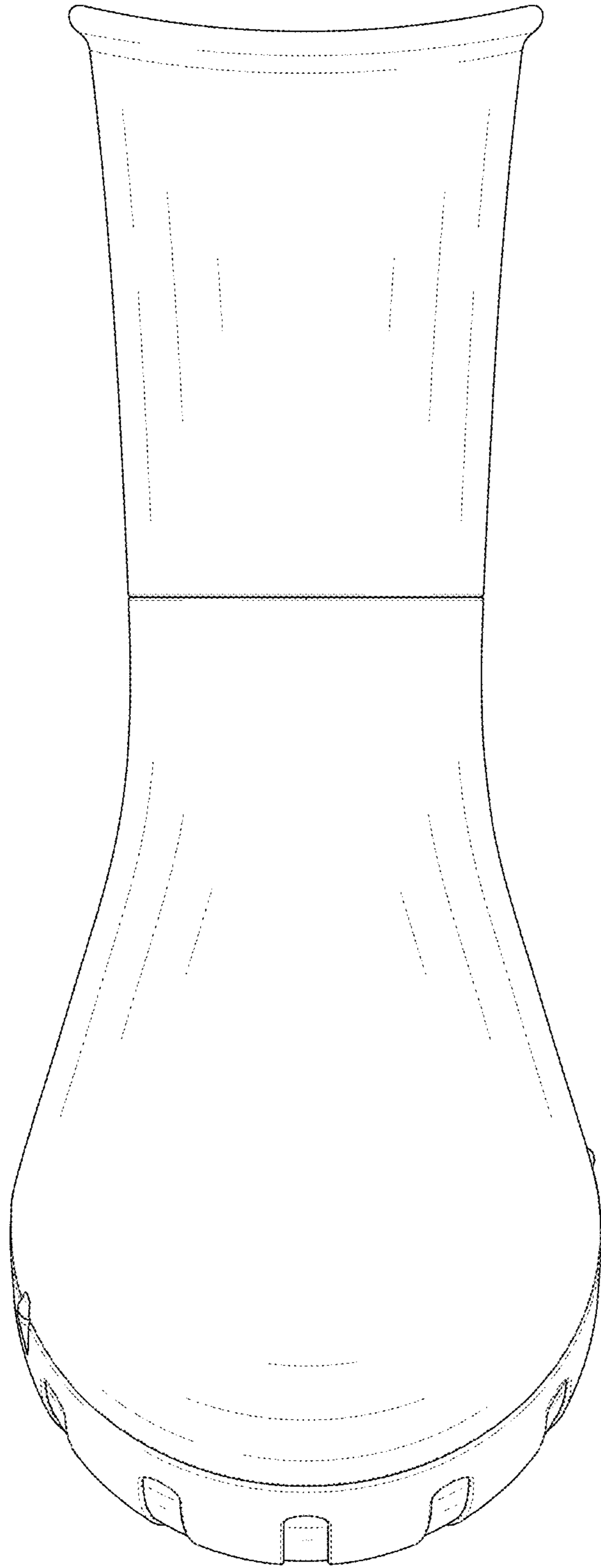


FIG. 8