



US00D981554S

(12) **United States Design Patent**
Huang

(10) **Patent No.:** **US D981,554 S**
(45) **Date of Patent:** **** Mar. 21, 2023**

(54) **BREATHING TRAINER**

(71) Applicant: **Longhui Huang**, Dazhu (CN)

(72) Inventor: **Longhui Huang**, Dazhu (CN)

(**) Term: **15 Years**

(21) Appl. No.: **29/853,183**

(22) Filed: **Sep. 14, 2022**

(51) **LOC (14) Cl.** **24-04**

(52) **U.S. Cl.**
USPC **D24/110**

(58) **Field of Classification Search**
USPC D24/110, 108, 110.5, 110.6, 133, 214;
D21/405, 406

CPC A63B 23/18; A63B 23/185; A61M 11/06;
A61M 11/08

See application file for complete search history.

(56) **References Cited**

U.S. PATENT DOCUMENTS

- D242,956 S * 1/1977 Miller 482/13
- 4,770,413 A * 9/1988 Green A63B 23/18
482/13
- 4,973,047 A * 11/1990 Norell A63B 23/18
482/13
- 5,018,517 A * 5/1991 Liardet A61M 16/0006
482/13
- 5,899,832 A * 5/1999 Hougen A63B 23/18
482/13
- D449,889 S 10/2001 Bischoff
- D694,876 S * 12/2013 Greenhalgh D24/110.5
- D754,329 S * 4/2016 Fleischer D24/110.5
- D768,845 S 10/2016 Burkes
- D909,583 S 2/2021 Kim et al.
- D914,194 S 3/2021 Fiorenza
- D918,378 S 5/2021 Boyle
- D919,080 S 5/2021 Lee
- D919,814 S 5/2021 Zikria
- D926,308 S 7/2021 Lee
- D940,861 S 1/2022 Mosen

(Continued)

FOREIGN PATENT DOCUMENTS

GB 6231076 * 10/2022

OTHER PUBLICATIONS

The Breather | Natural Breathing Lung Recovery Exerciser Trainer for Drug-Free Respiratory Therapy. Amazon. Date first available: Sep. 24, 2013. Retrieval date: Dec. 16, 2022. Retrieved from internet: <https://www.amazon.com/Breather-Inspiratory-Expiratory-Respiratory-Trainer/dp/B00FE8N7Y4> (Year: 2013).*

(Continued)

Primary Examiner — Daniel J Domino

Assistant Examiner — Lee D. Starr

(74) *Attorney, Agent, or Firm* — Rumit Ranjit Kanakia

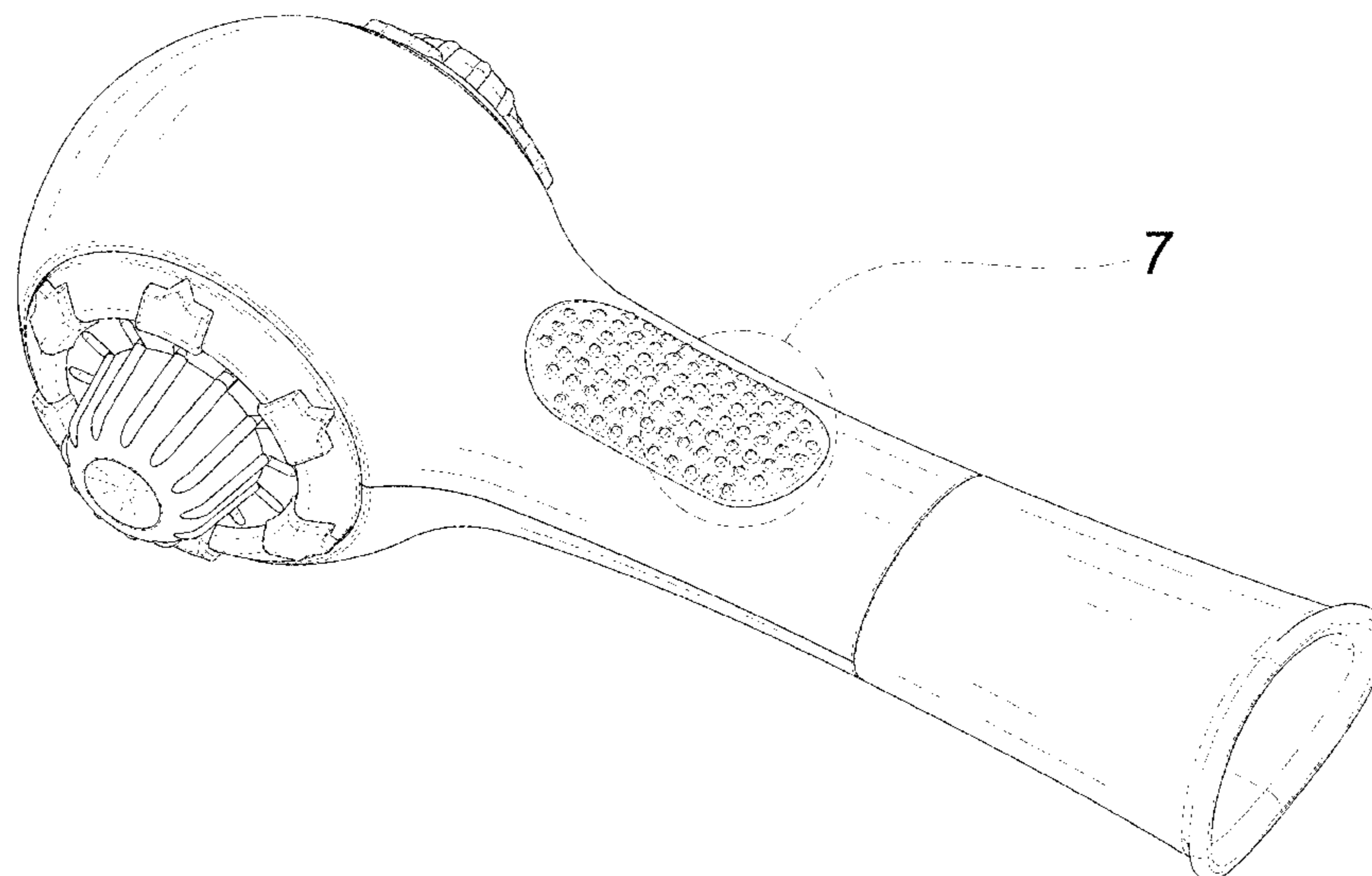
(57) **CLAIM**

The ornamental design for a breathing trainer, as shown and described.

DESCRIPTION

FIG. 1 is a perspective view of a breathing trainer, showing my new design;
 FIG. 2 is another perspective view thereof;
 FIG. 3 is a front elevational view thereof, the rear elevational view being a mirror image of FIG. 3;
 FIG. 4 is a left side view thereof;
 FIG. 5 is a right side view thereof;
 FIG. 6 is a top plan view thereof, the bottom plan view is identical; and,
 FIG. 7 is a partial enlarged view of FIG. 1.
 The broken lines in the figures are for the purposes of illustrating portions of the breathing trainer which form no part of the claimed design. The broken line circles in FIGS. 1 and 7 depict the bounds of the enlargement and form no part of the claimed design.

1 Claim, 6 Drawing Sheets



(56)

References Cited

U.S. PATENT DOCUMENTS

D948,027 S 4/2022 Babbage
2004/0146842 A1* 7/2004 Carlucci A63B 21/00192
434/262
2018/0318642 A1* 11/2018 Lunz A61M 16/0066
2021/0059624 A1* 3/2021 Van Rikxoort G06T 7/0012

OTHER PUBLICATIONS

Breather Fit Health & Wellness Natural Device. Amazon. Date first available: Dec. 3, 2018. Retrieval date: Dec. 16, 2022. Retrieved from internet: <https://www.amazon.com/dp/B07L5TPLKZ> (Year: 2018).*

Inspiratory Expiratory Muscle Trainer by Tilcare. Amazon. Date first available: Dec. 26, 2020. Retrieval date: Dec. 16, 2022. Retrieved from internet: <https://www.amazon.com/Inspiratory-Expiratory-Muscle-Trainer-Tilcare/dp/B08RC56BZD> (Year: 2020).*

* cited by examiner

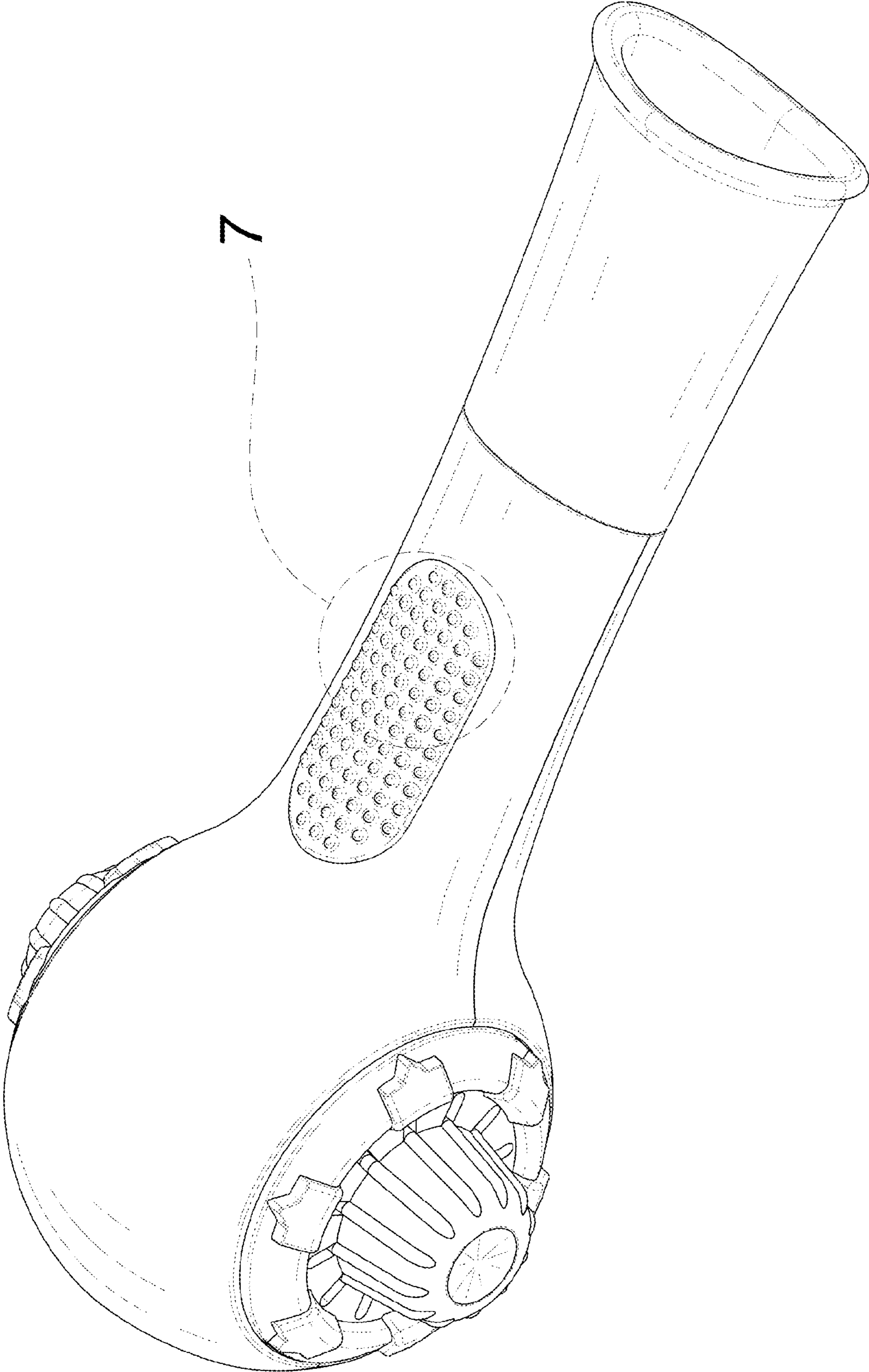


FIG. 1

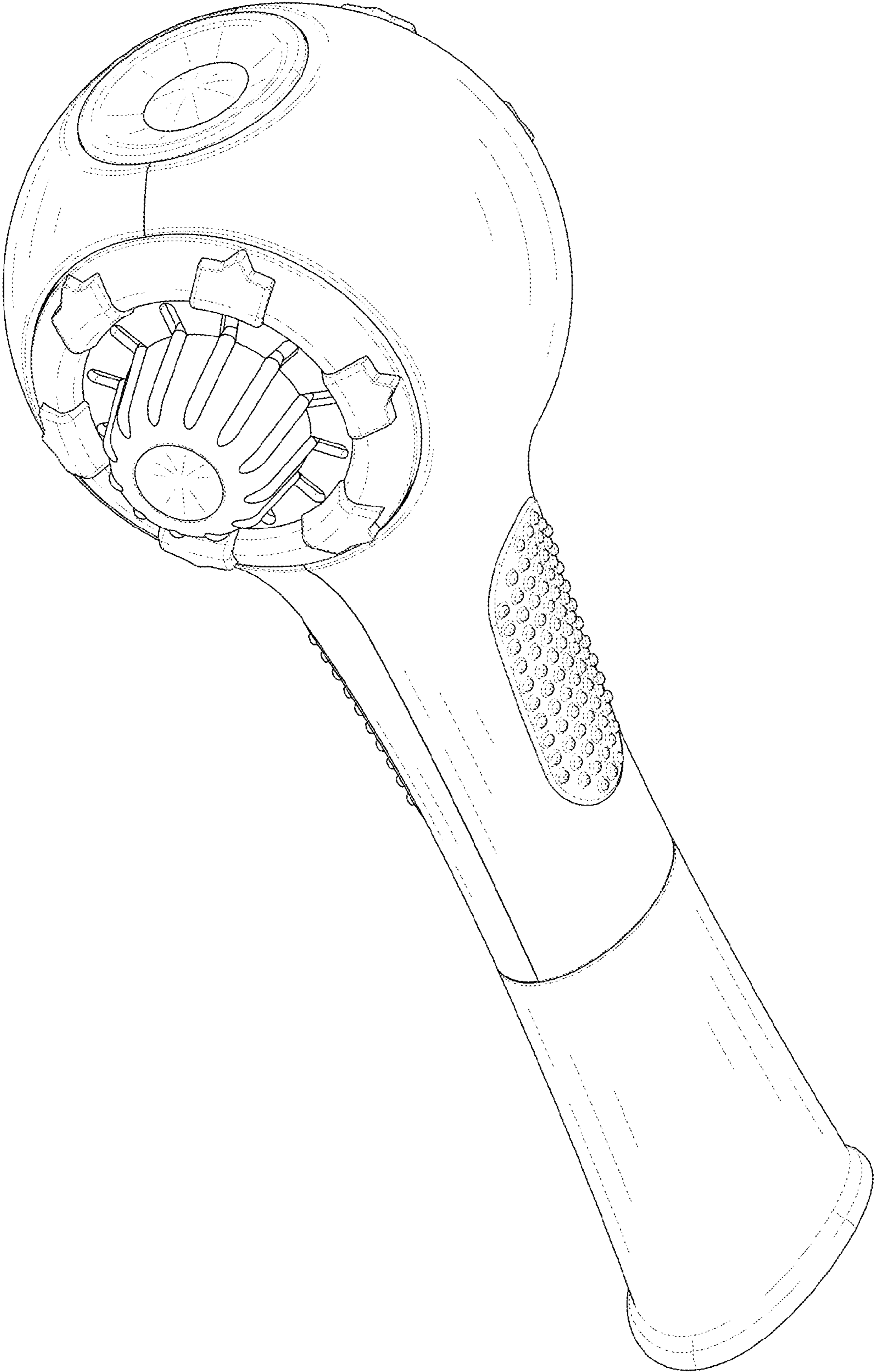


FIG. 2

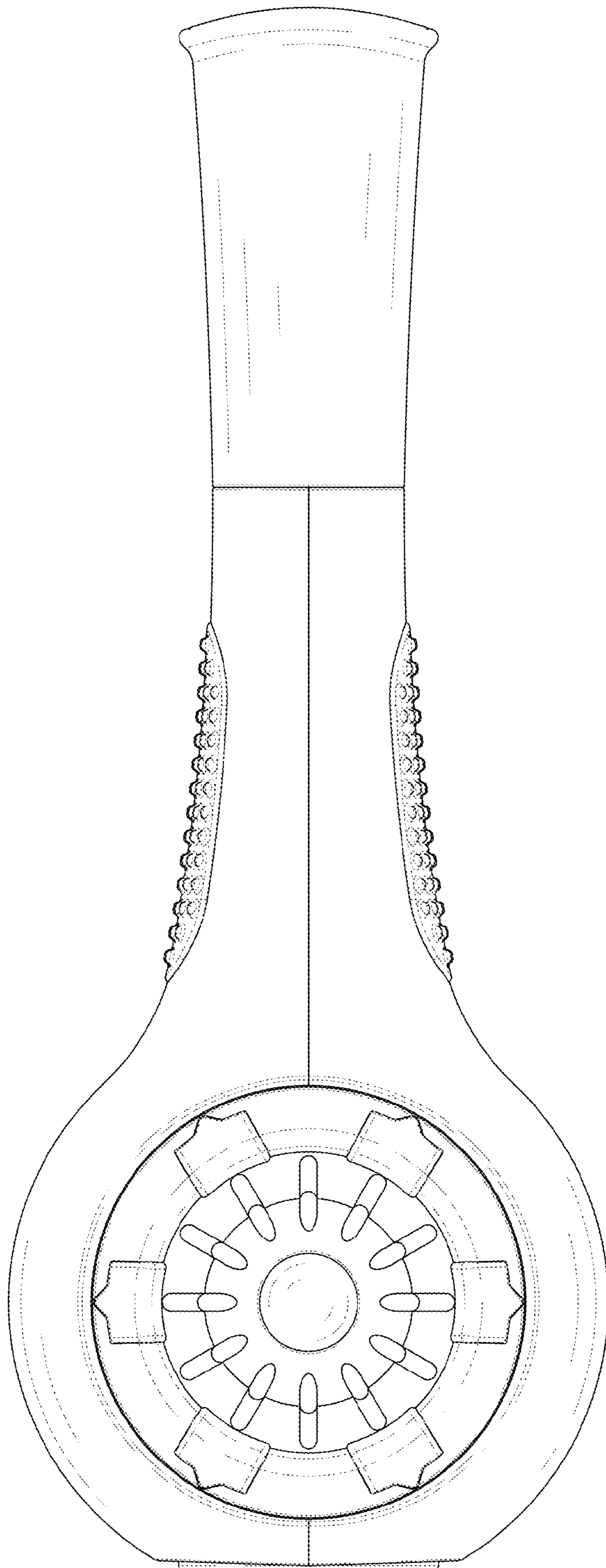


FIG. 3

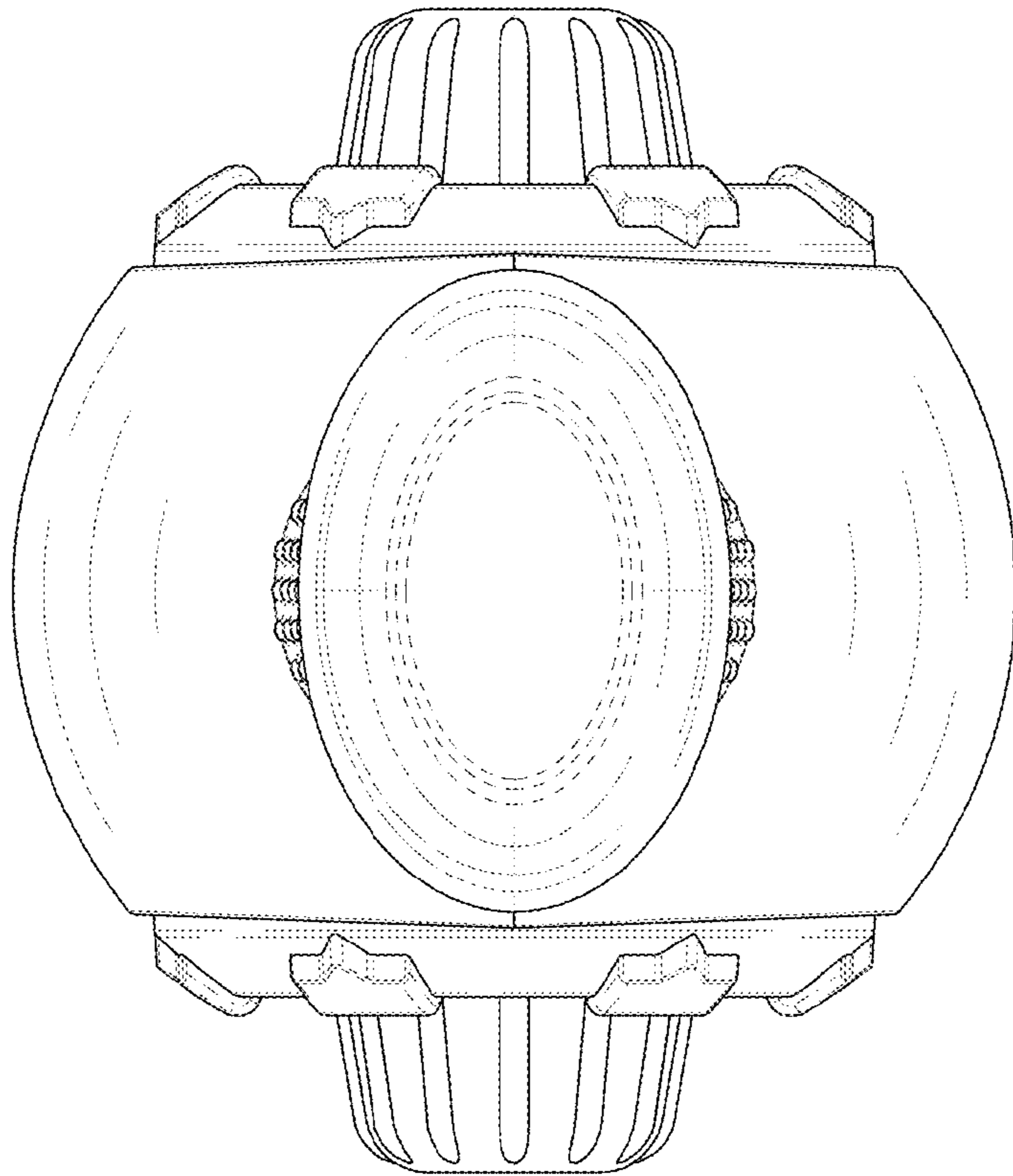


FIG. 5

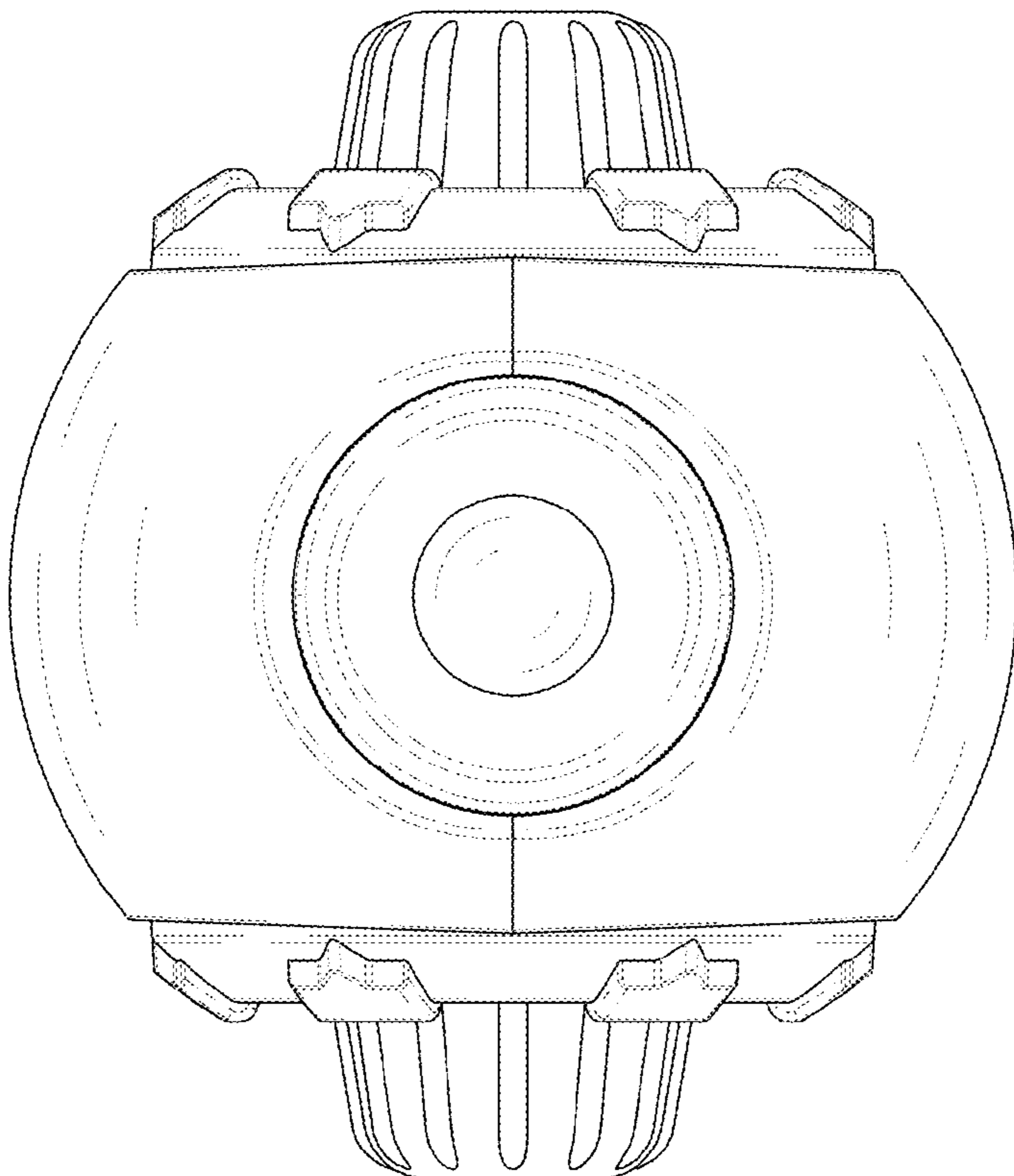


FIG. 4

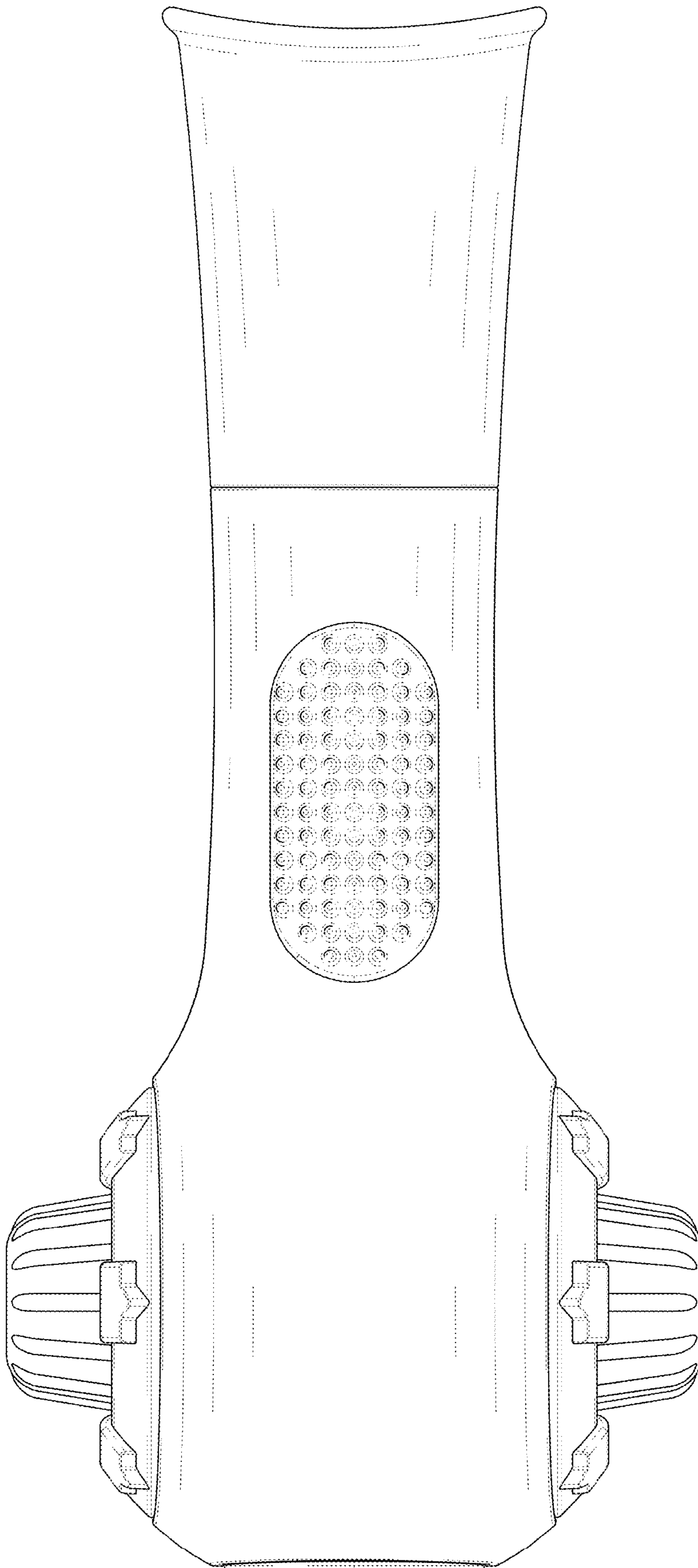


FIG. 6

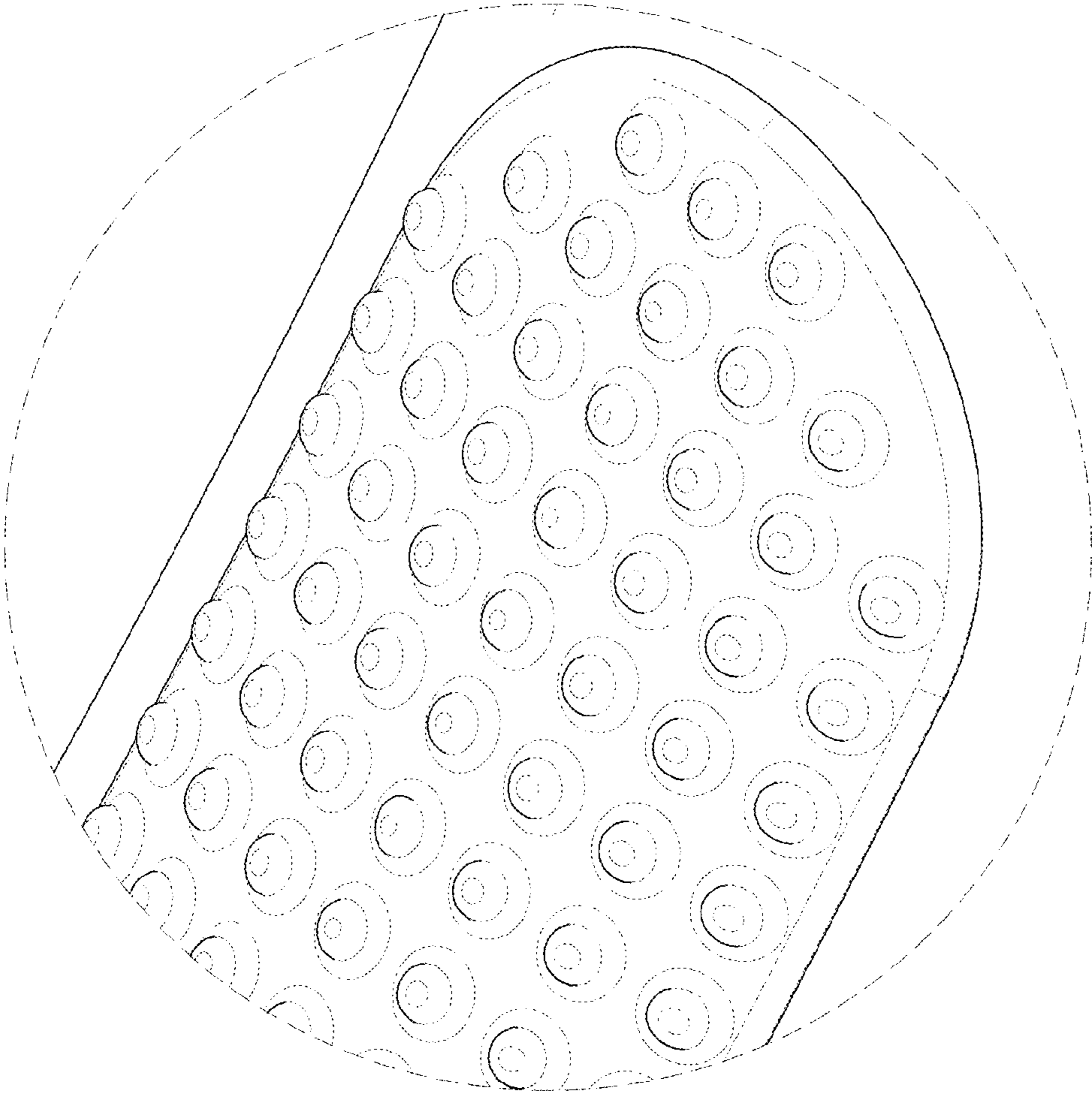


FIG. 7