



US00D981552S

(12) **United States Design Patent**
Moriarty

(10) **Patent No.:** **US D981,552 S**
(45) **Date of Patent:** **** Mar. 21, 2023**

- (54) **TUBE SECURING DEVICE LATCH**
- (71) Applicant: **Tubetamer, LLC**, Valley Center, CA (US)
- (72) Inventor: **Douglas Alan Moriarty**, Valley Center, CA (US)
- (73) Assignee: **Tubetamer, LLC**, Valley Center, CA (US)
- (**) Term: **15 Years**
- (21) Appl. No.: **29/770,109**
- (22) Filed: **Feb. 9, 2021**

- 4,249,529 A * 2/1981 Nestor A61M 25/02 248/62
- 4,589,626 A * 5/1986 Kurtz A61M 39/288 251/10
- D298,216 S * 10/1988 Eisenberg D24/129
- 5,402,776 A * 4/1995 Islava A61M 16/0488 128/207.14
- 5,829,430 A * 11/1998 Islava A61M 16/0493 128/207.14
- D427,307 S * 6/2000 Guala D24/129
- D431,650 S * 10/2000 Guala D24/129
- D908,878 S * 1/2021 Puhasmägi D24/143
- 11,020,581 B2 * 6/2021 Hu A61M 39/284
- 2008/0202529 A1 * 8/2008 Flory A61M 16/0488 128/207.17
- 2022/0226592 A1 * 7/2022 Moriarty A61M 16/0463

* cited by examiner

Related U.S. Application Data

- (63) Continuation of application No. 17/152,408, filed on Jan. 19, 2021.
- (51) **LOC (14) Cl.** **29-02**
- (52) **U.S. Cl.**
USPC **D24/110; D24/128**
- (58) **Field of Classification Search**
USPC D24/110, 110.1–110.6, 127, 128, 135, D24/143; D29/101.3, 101.5; D21/662; D8/72, 73, 394; 128/207.14, 207.15, 128/207.17
CPC .. A61M 39/00; A61M 39/28; A61M 16/0463; A61M 16/0488; A61M 16/0493; Y10T 24/3918; Y10T 24/44906
See application file for complete search history.

Primary Examiner — Richard Kearney
Assistant Examiner — Michael Hoffman
 (74) *Attorney, Agent, or Firm* — Charles F. Reidelbach, Jr.

(57) **CLAIM**

The ornamental design for a tube securing device latch, as shown and described.

DESCRIPTION

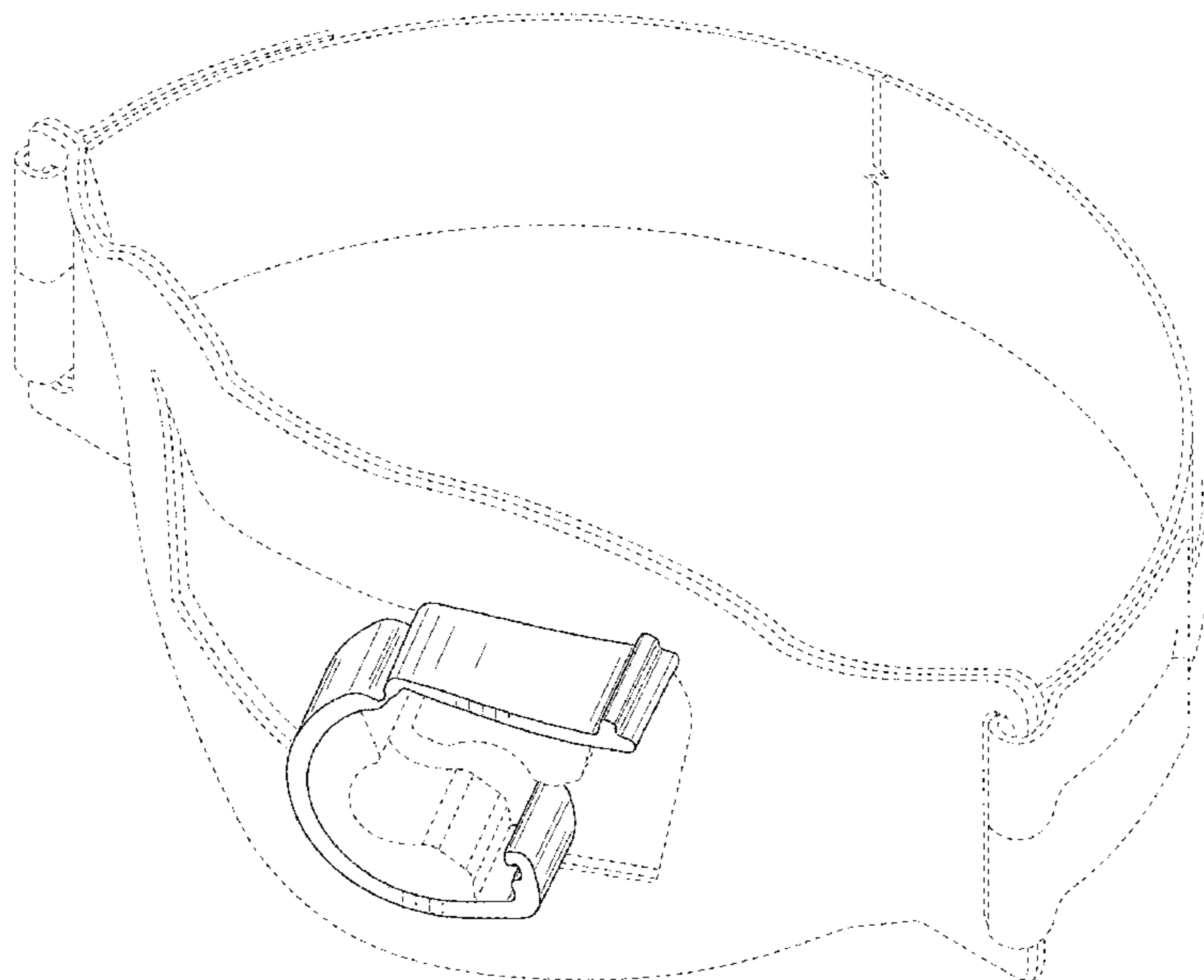
FIG. 1 is a front, top, and right side perspective view of a tube securing device latch showing our new design; FIG. 2 is a front elevational view thereof; FIG. 3 is a rear elevational view thereof; FIG. 4 is a front and right side perspective view thereof; FIG. 5 is a front and left side perspective view thereof; FIG. 6 is a top plan view thereof; and, FIG. 7 is a bottom plan view thereof.
 The broken lines shown in the drawings illustrate environmental structure and form no part of the claimed design.

1 Claim, 6 Drawing Sheets

(56) **References Cited**

U.S. PATENT DOCUMENTS

- 3,774,616 A * 11/1973 White A61M 16/0488 128/200.26
- 3,946,742 A * 3/1976 Eross A61M 25/02 128/DIG. 26



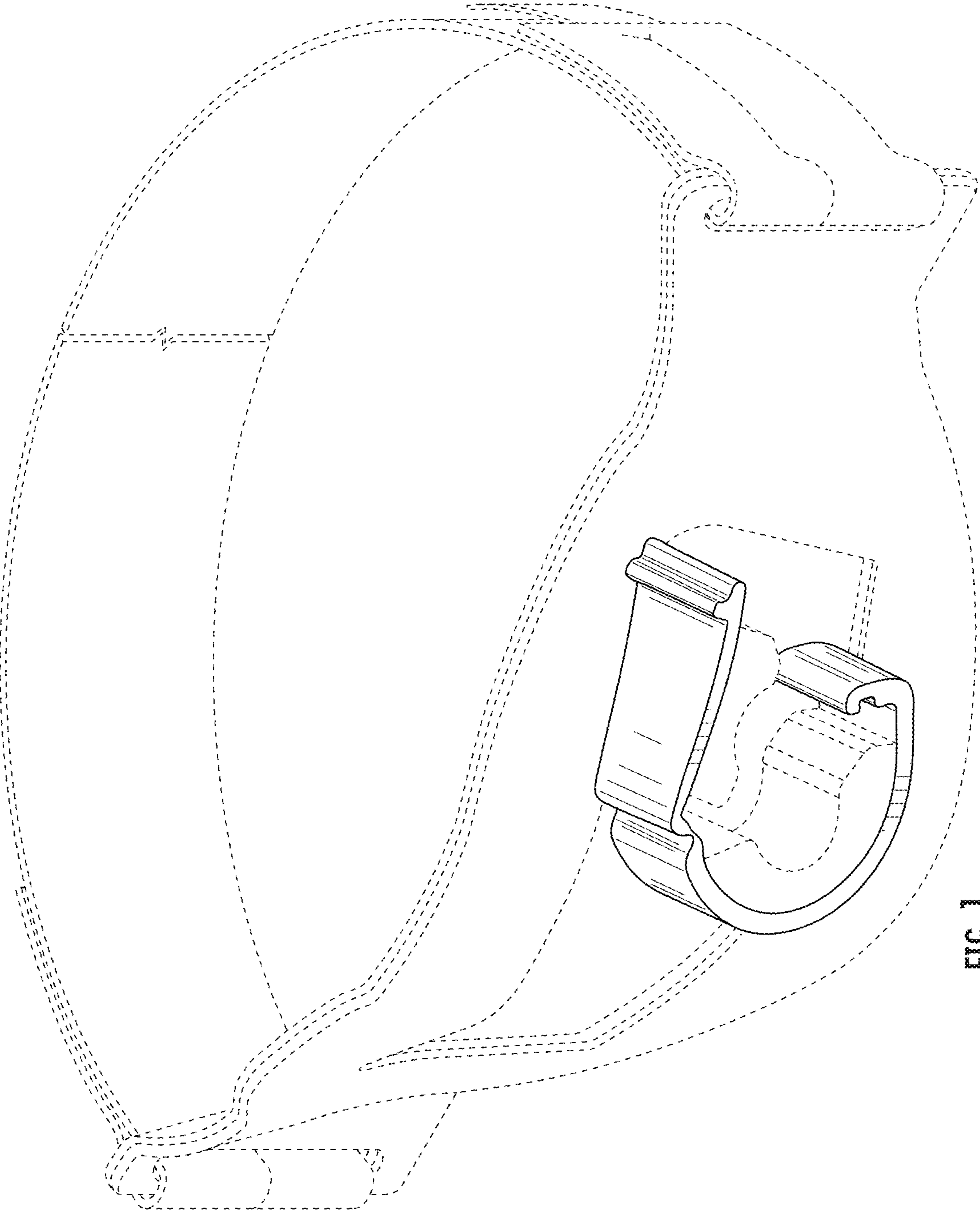


FIG. 1

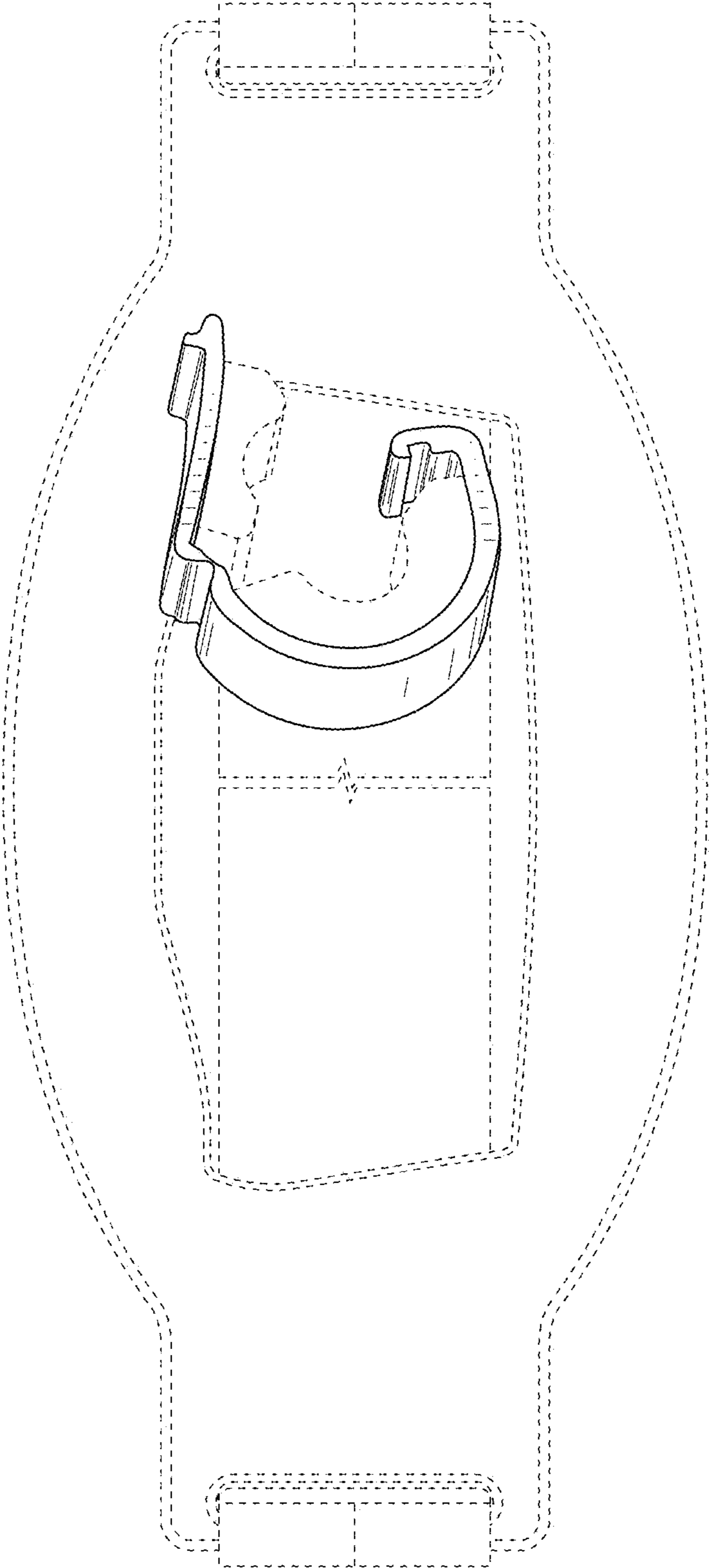


FIG. 2

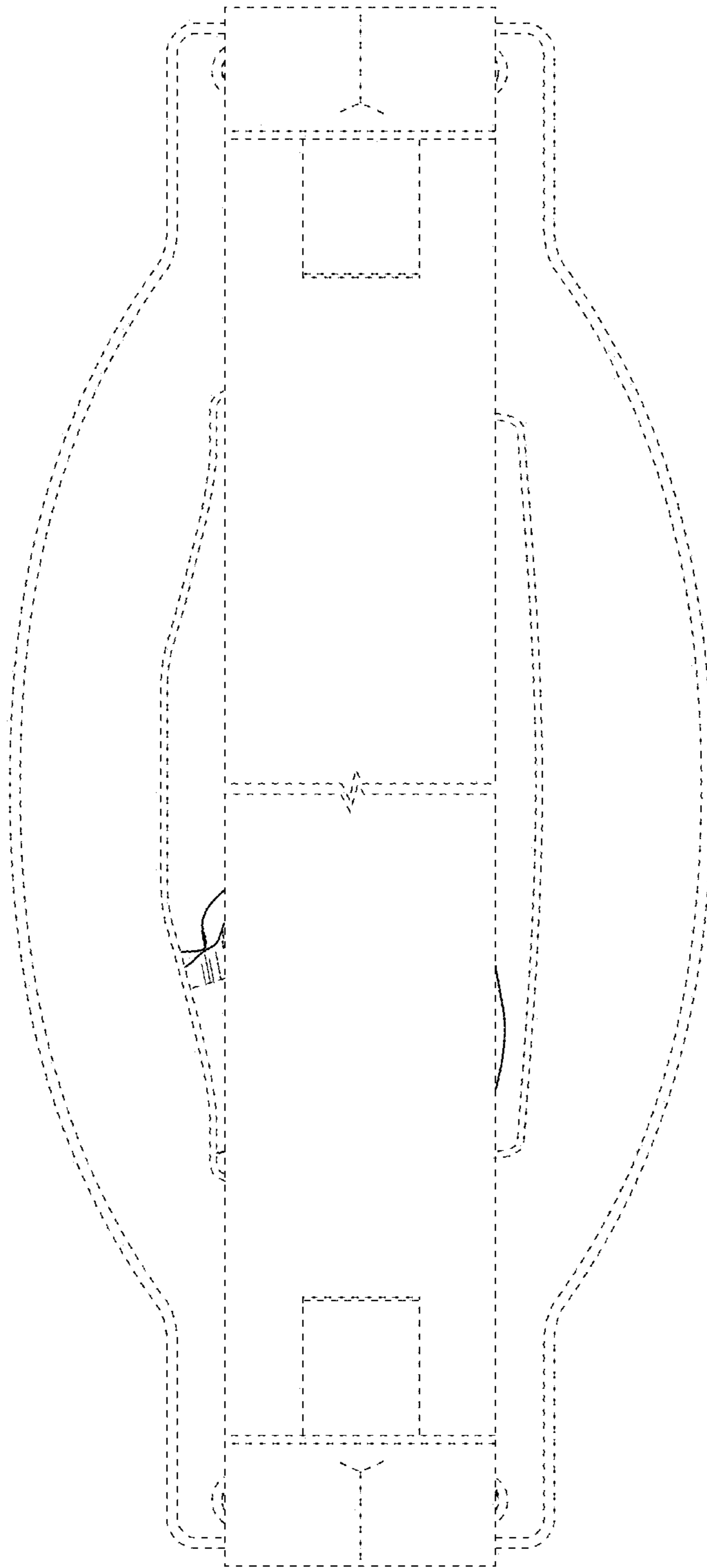


FIG. 3

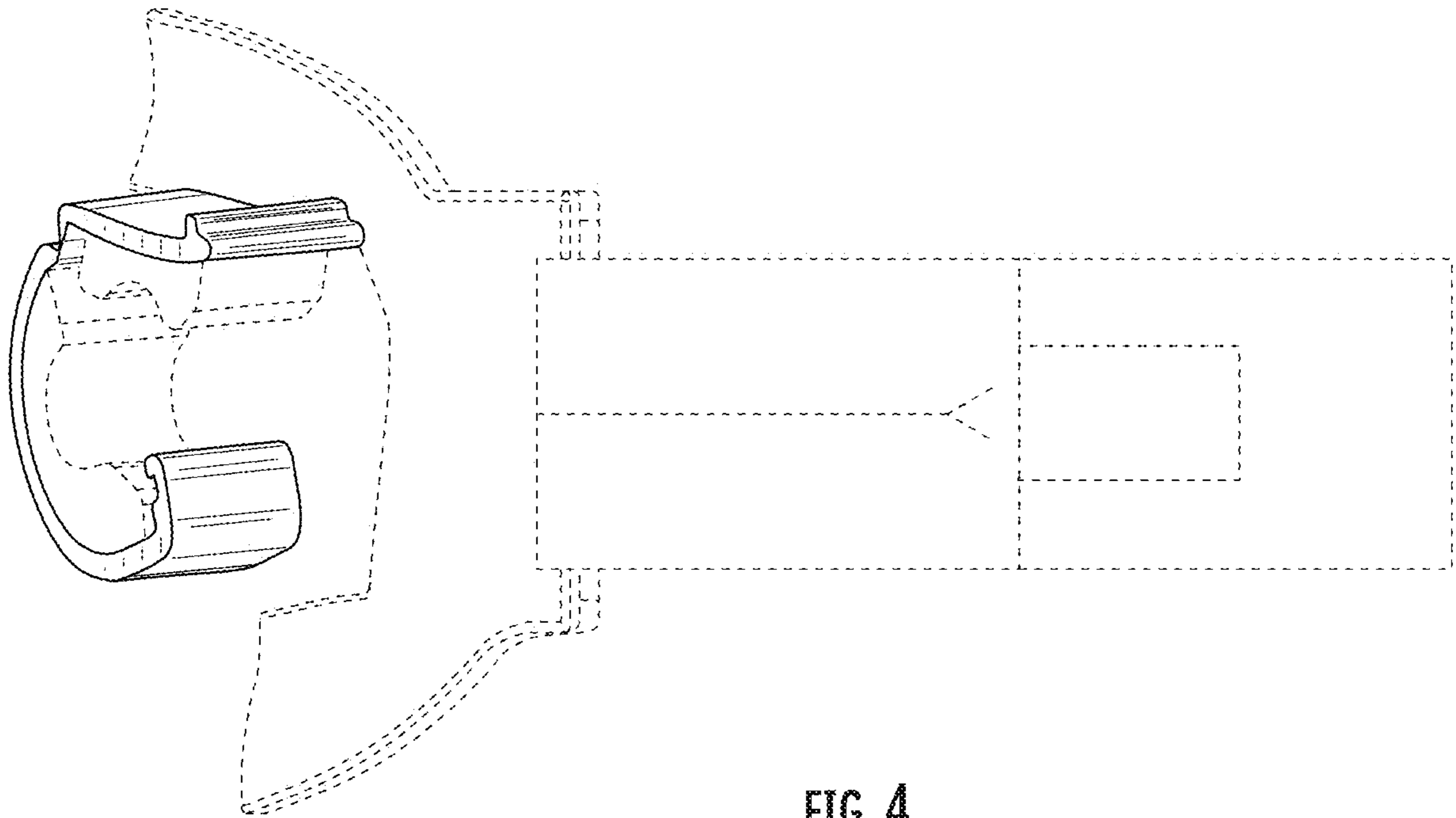


FIG. 4

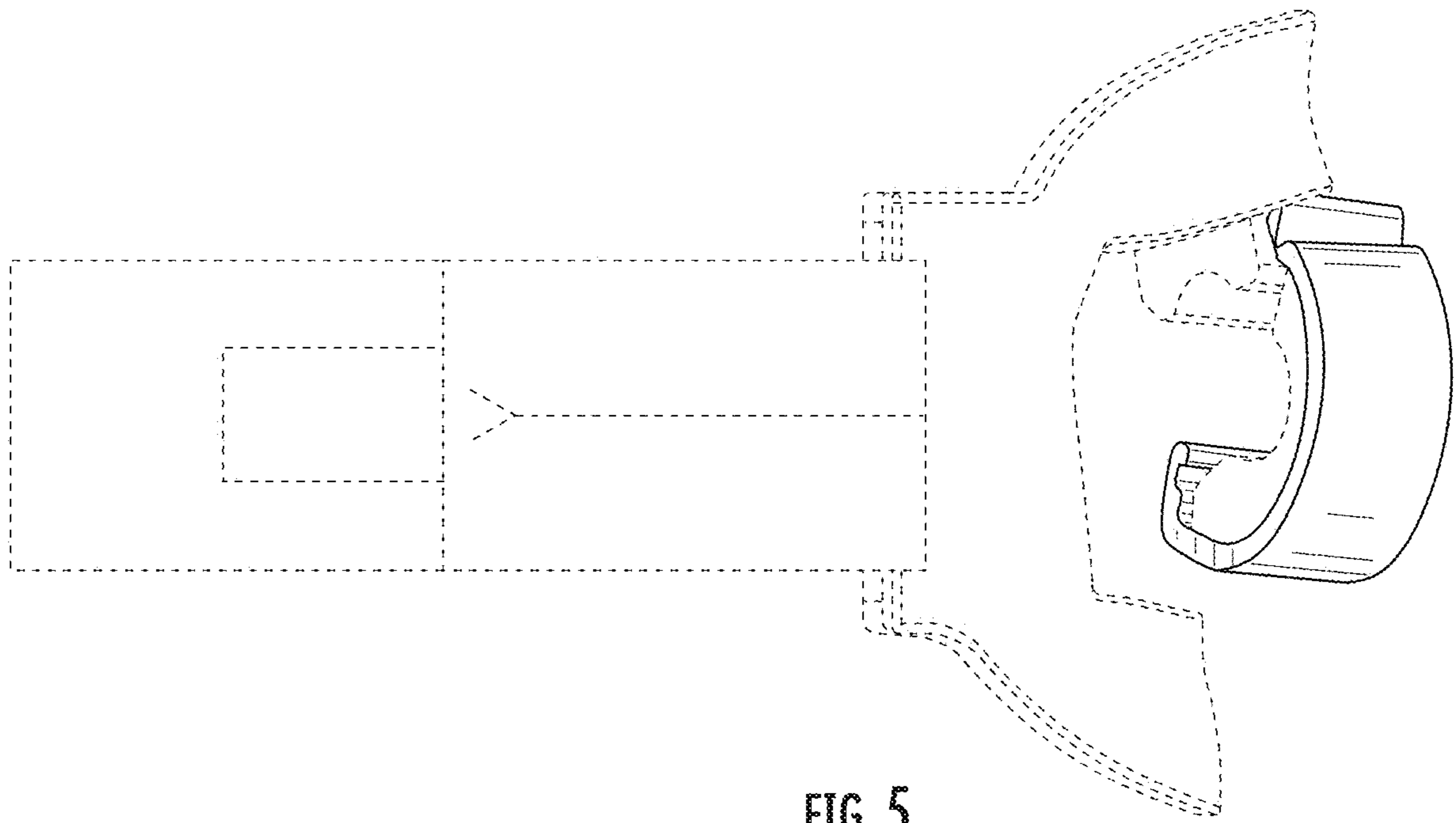


FIG. 5

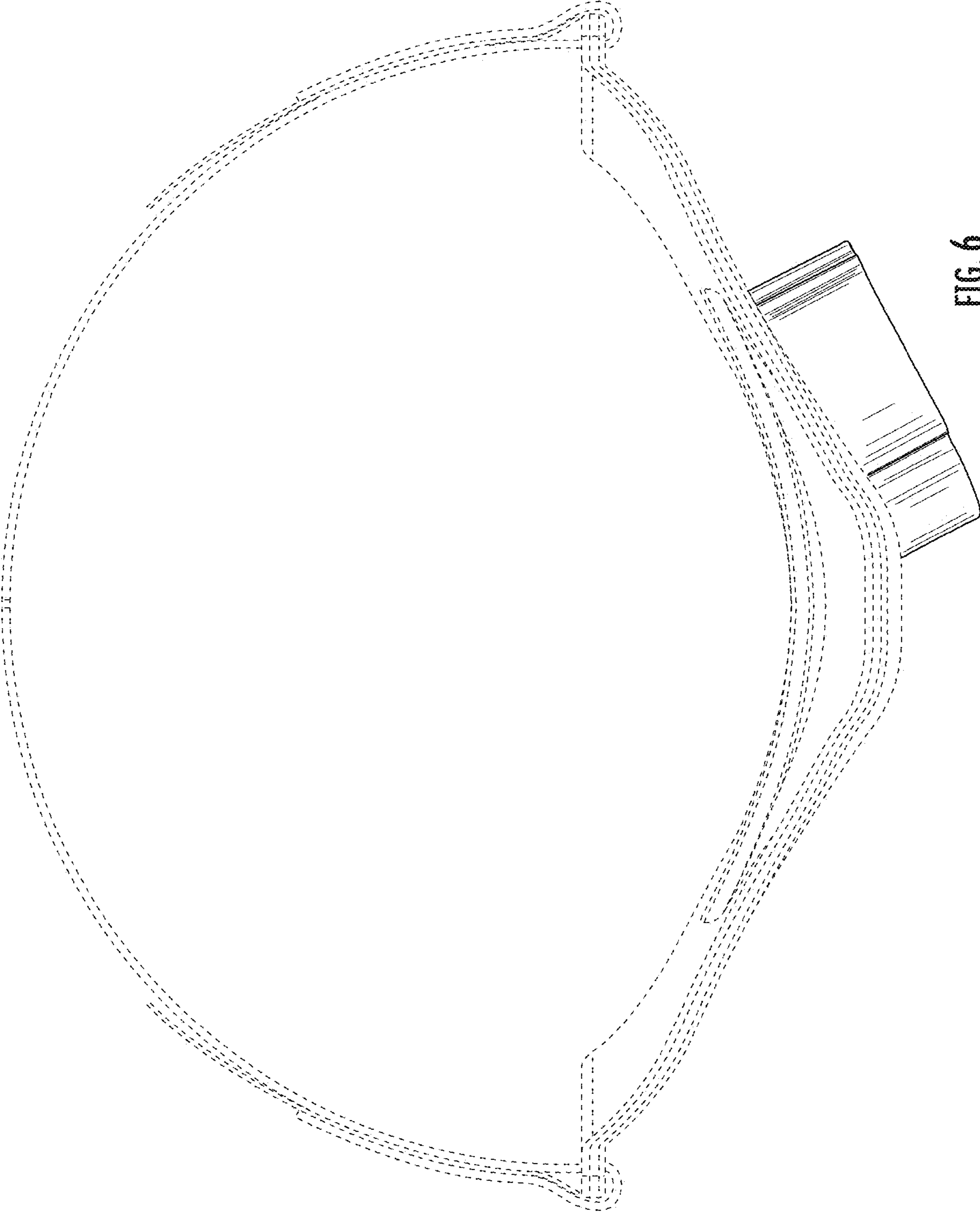


FIG. 6

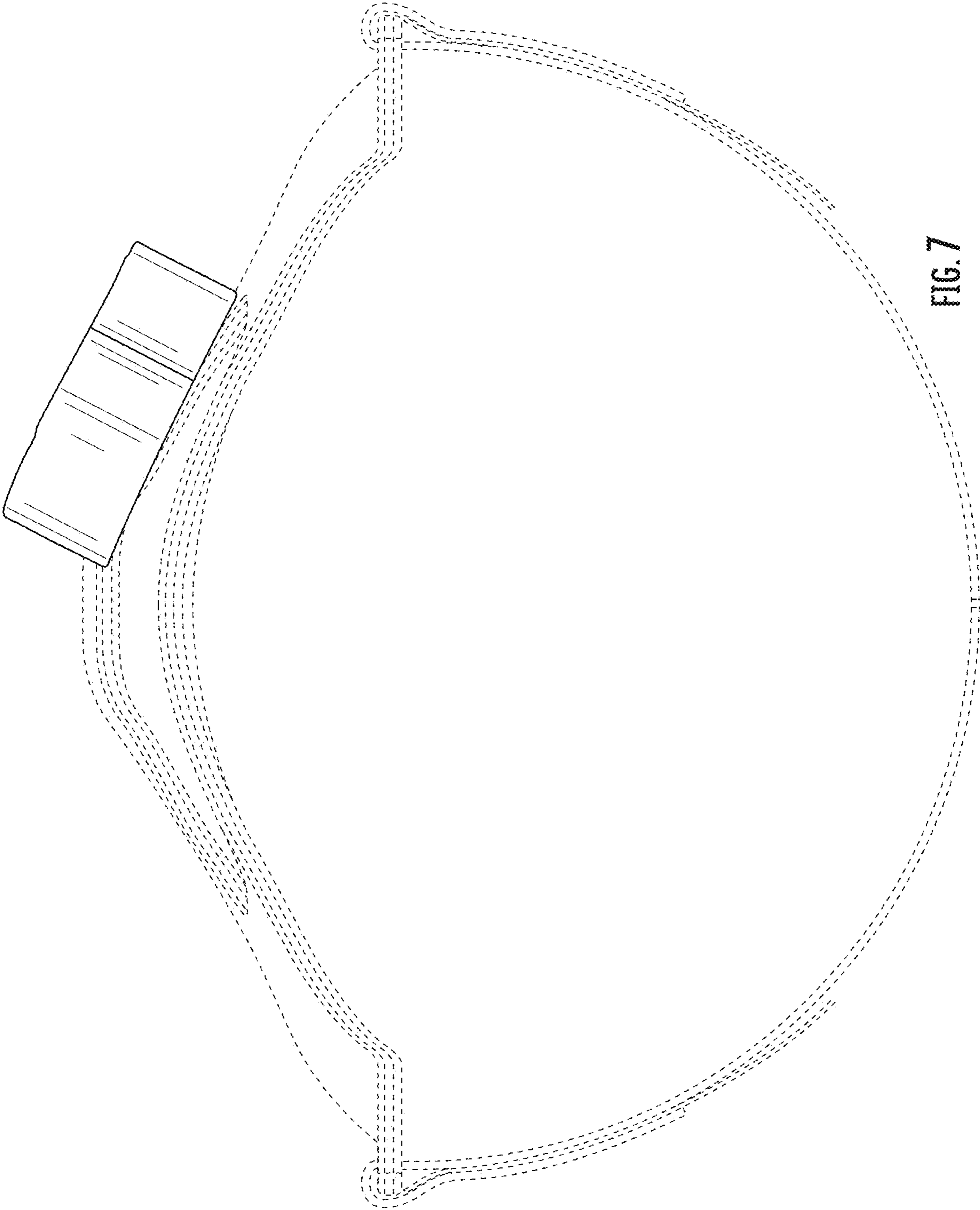


FIG. 7