



US00D981551S

(12) **United States Design Patent**
Xie et al.

(10) **Patent No.:** **US D981,551 S**
(45) **Date of Patent:** **** Mar. 21, 2023**

(54) **DUAL BLADE FOR A PEDESTAL FAN**

(71) Applicant: **Ningbo Singfun Electric Appliance Co., Ltd, Cixi (CN)**

(72) Inventors: **Haibing Xie, Cixi (CN); Xinbo Dang, Ankang (CN); Ya Xu, Fuyang (CN)**

(**) Term: **15 Years**

(21) Appl. No.: **29/844,626**

(22) Filed: **Jun. 30, 2022**

(51) **LOC (14) Cl.** **23-04**

(52) **U.S. Cl.**
USPC **D23/413; D23/380; D23/378**

(58) **Field of Classification Search**
USPC D23/370, 378, 380, 411, 413
CPC F04D 25/08; F04D 25/105
See application file for complete search history.

(56) **References Cited**

U.S. PATENT DOCUMENTS

D125,957 S *	3/1941	Moeller	D23/413
D557,401 S	12/2007	Lee		
D558,324 S	12/2007	Hong		
D559,967 S	1/2008	Lee		
D559,968 S	1/2008	Lee		
D562,215 S *	2/2008	Schulze	D12/214

D565,172 S	3/2008	Chen		
D571,000 S	6/2008	Bei		
D615,181 S	5/2010	Lee		
D629,501 S	12/2010	Liu		
D677,611 S *	3/2013	Janecke	D15/5
D799,688 S *	10/2017	Wang	D23/413
D806,225 S	12/2017	Chang		
D858,737 S	9/2019	Tadokoro		
D879,942 S *	3/2020	Kong	D23/378
D907,083 S *	1/2021	Loman	D15/147

* cited by examiner

Primary Examiner — Janice Hallmark

(74) *Attorney, Agent, or Firm* — Rumi Ranjit Kanakia

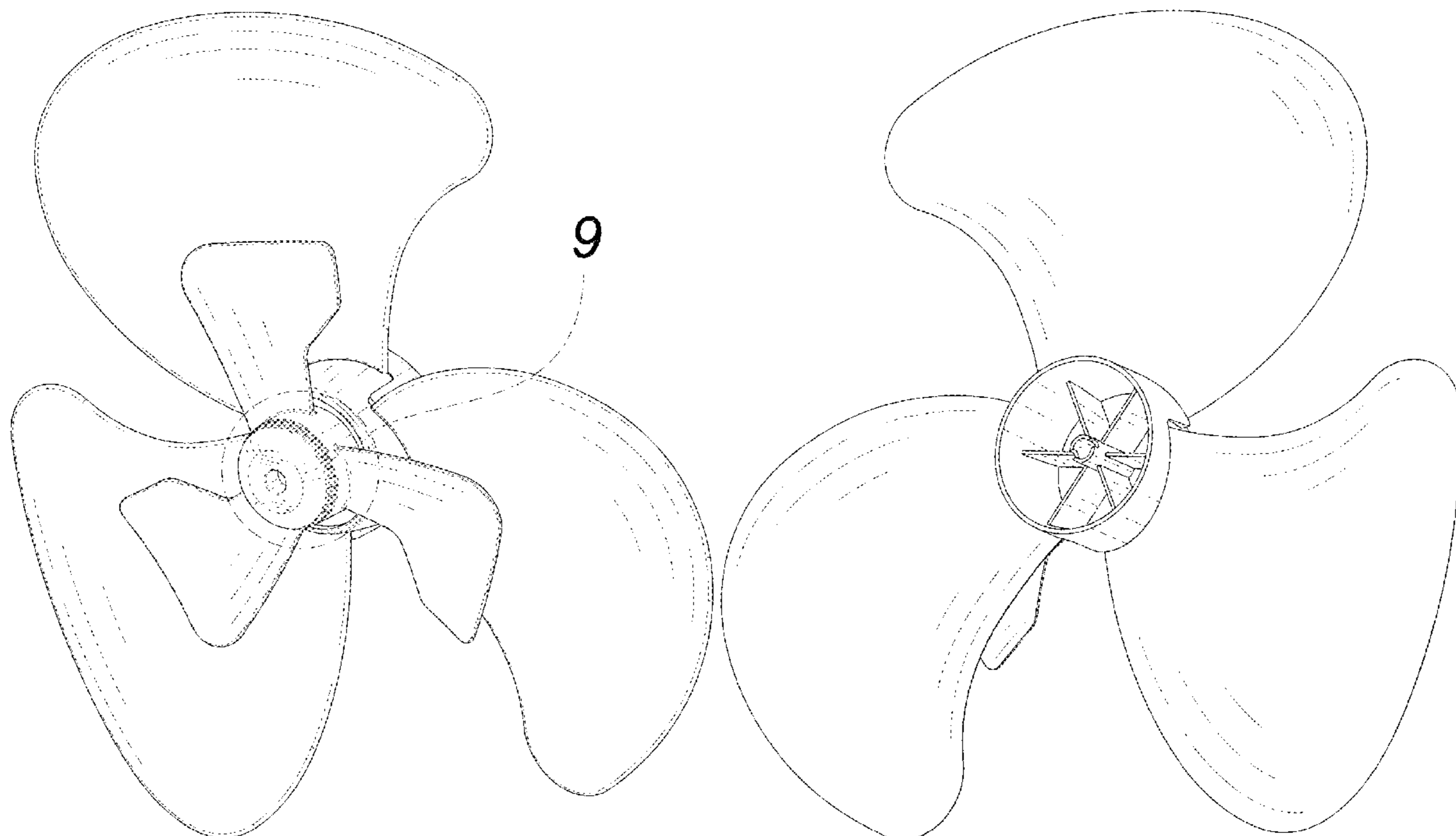
(57) **CLAIM**

The ornamental design for a dual blade for a pedestal fan, as shown and described.

DESCRIPTION

FIG. 1 is a perspective view of a dual blade for a pedestal fan showing my new design;
FIG. 2 is another perspective view thereof;
FIG. 3 is a front elevational view thereof;
FIG. 4 is a rear elevational view thereof;
FIG. 5 is a left side view thereof;
FIG. 6 is a right side view thereof;
FIG. 7 is a top plan view thereof;
FIG. 8 is a bottom plan view thereof; and,
FIG. 9 is an enlarged detail view of the portion of the dual blade for a pedestal fan encircled by dashed lines in FIG. 1.

1 Claim, 7 Drawing Sheets



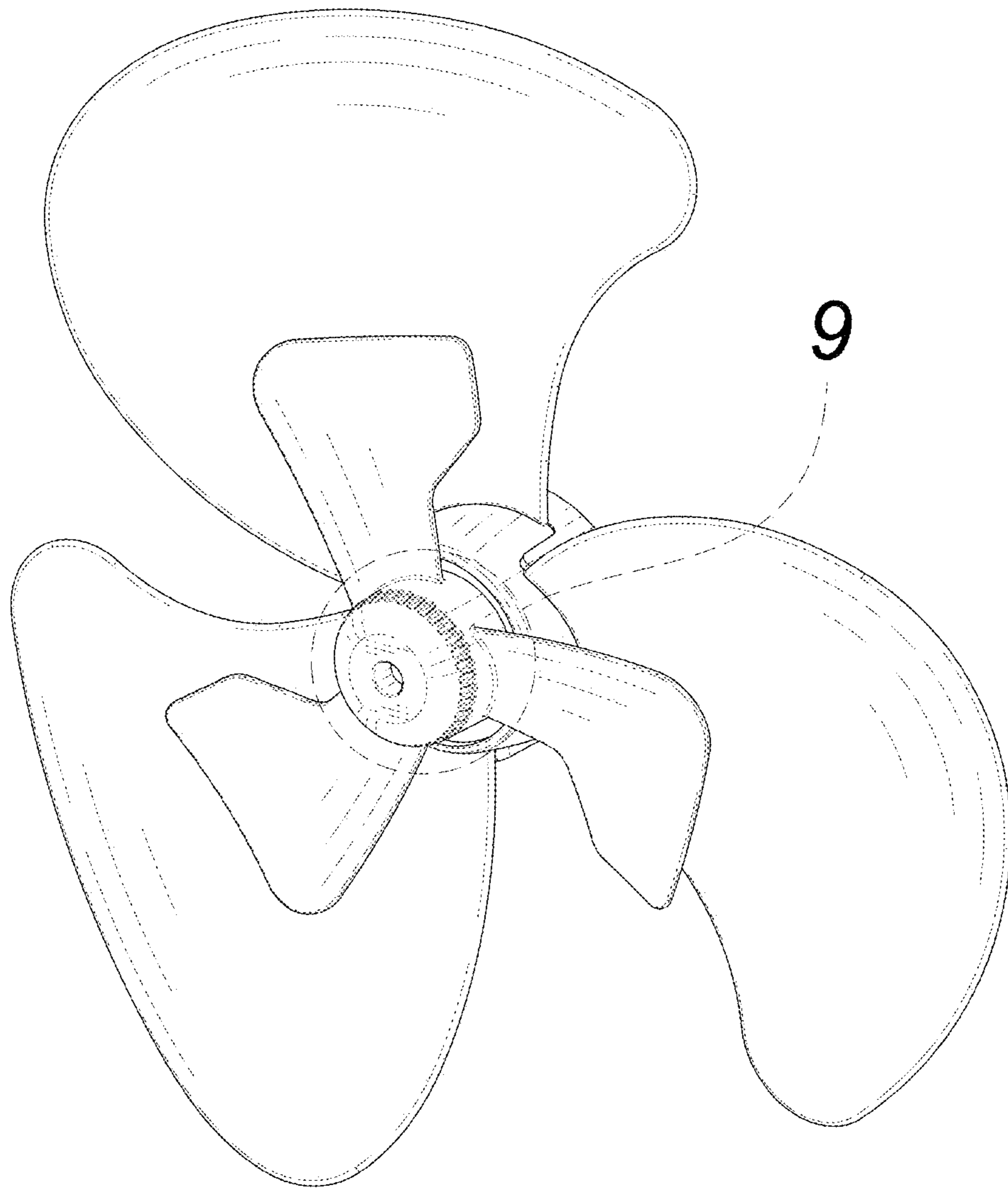


FIG. 1

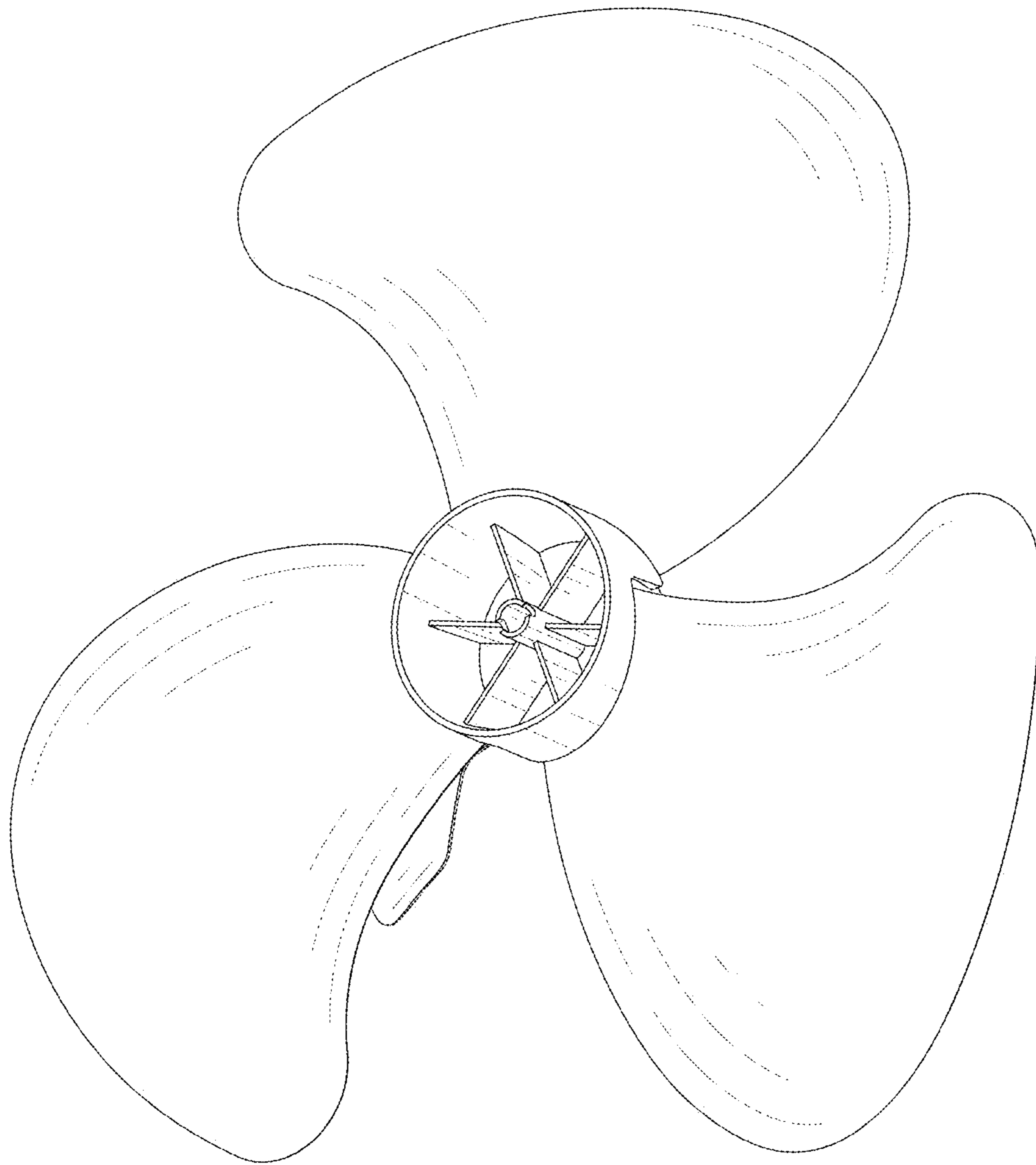


FIG. 2

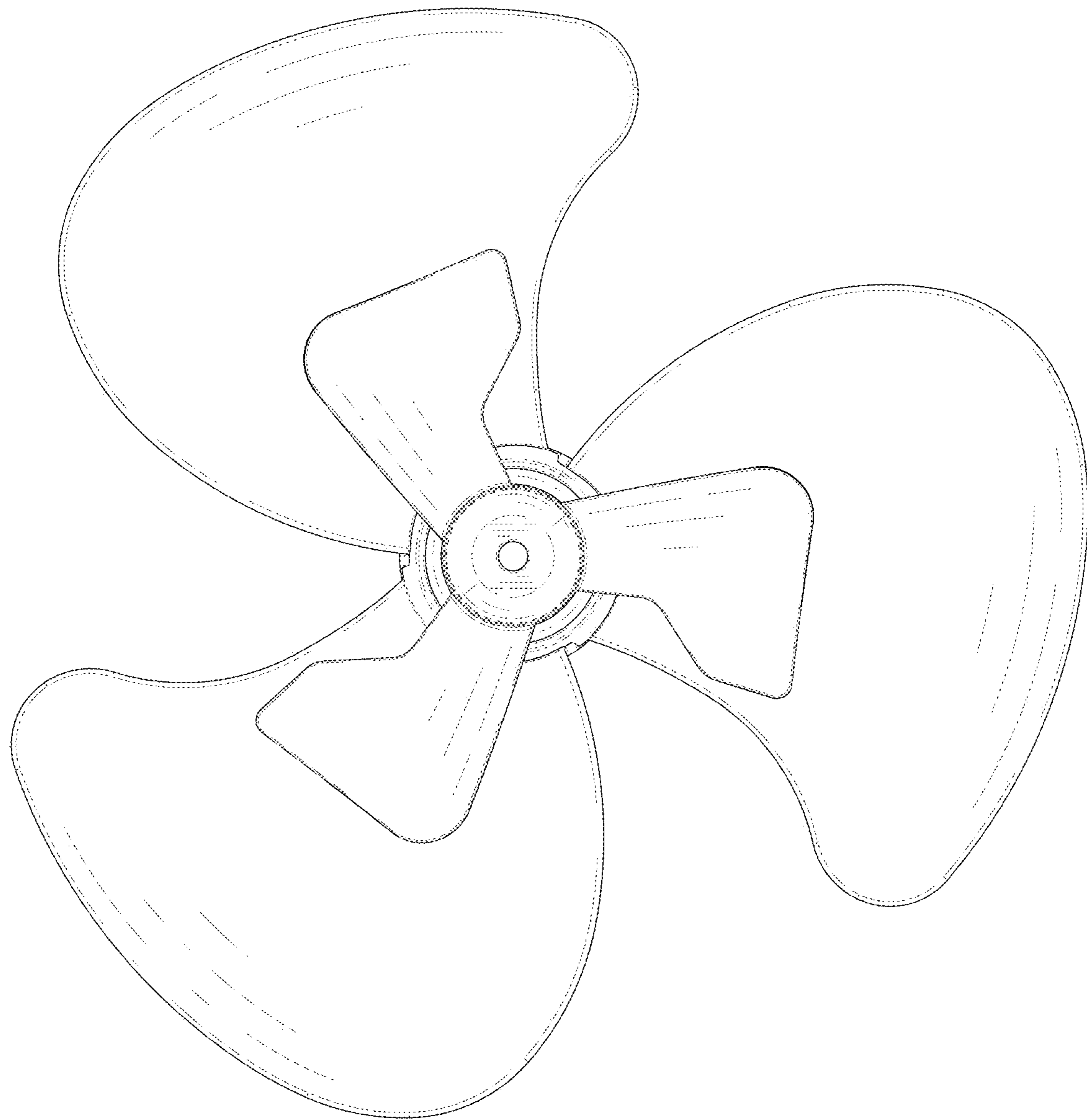


FIG. 3

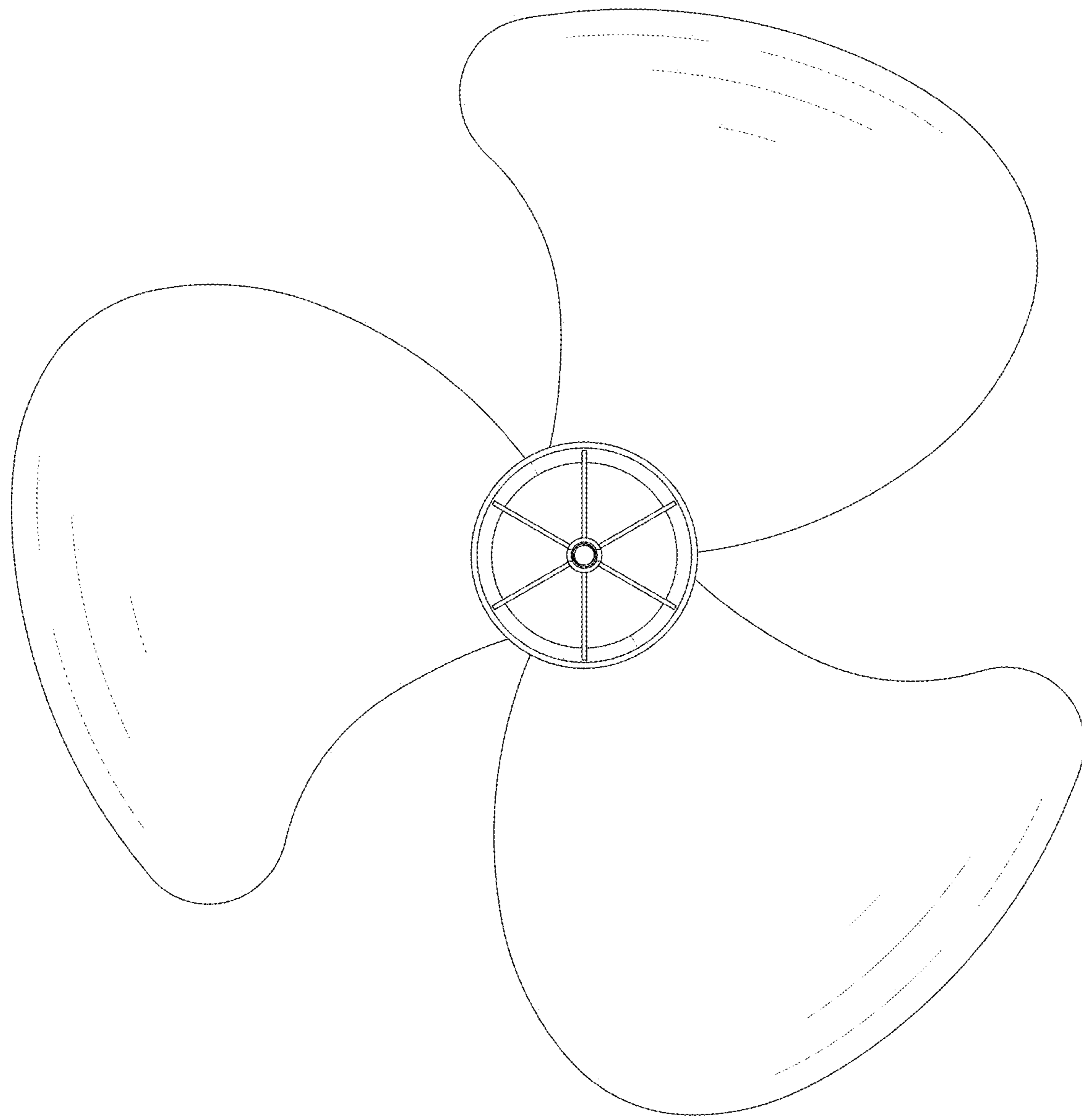


FIG. 4

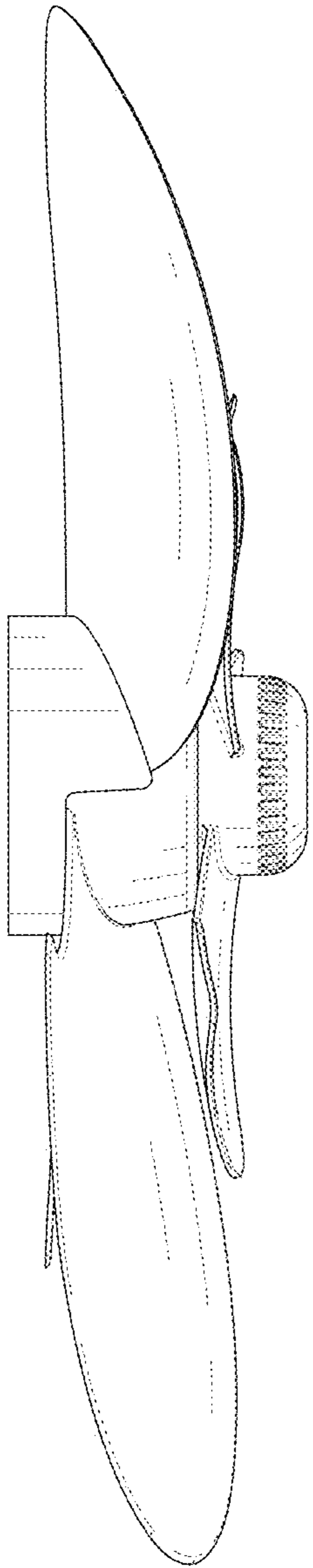


FIG. 5

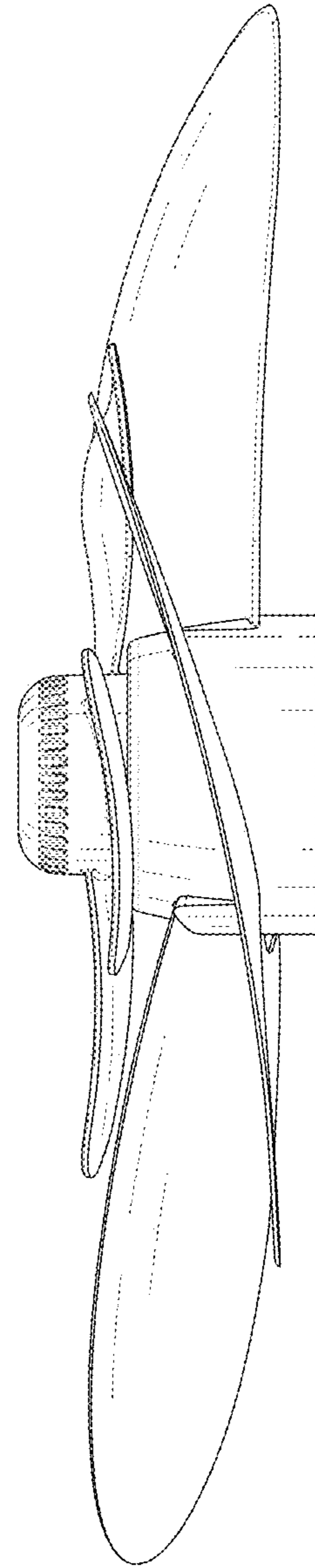


FIG. 6

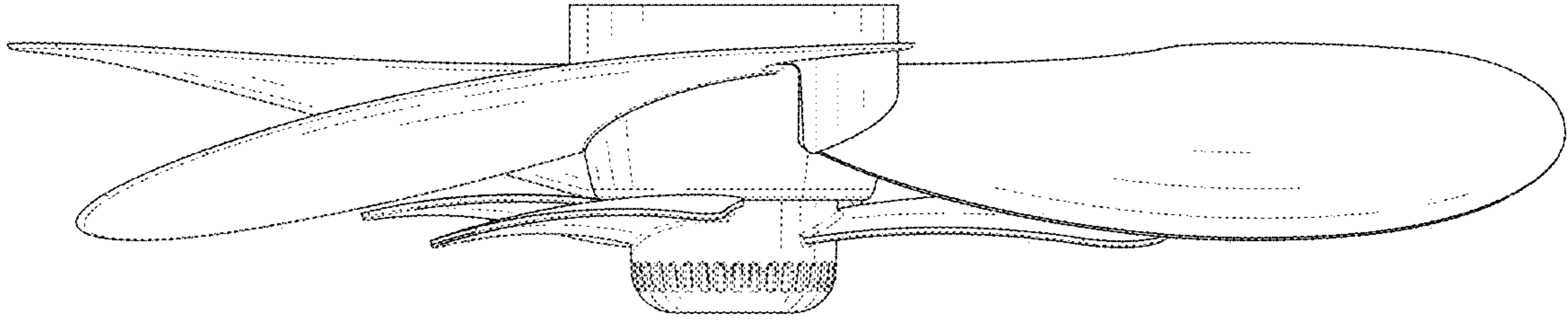


FIG. 7

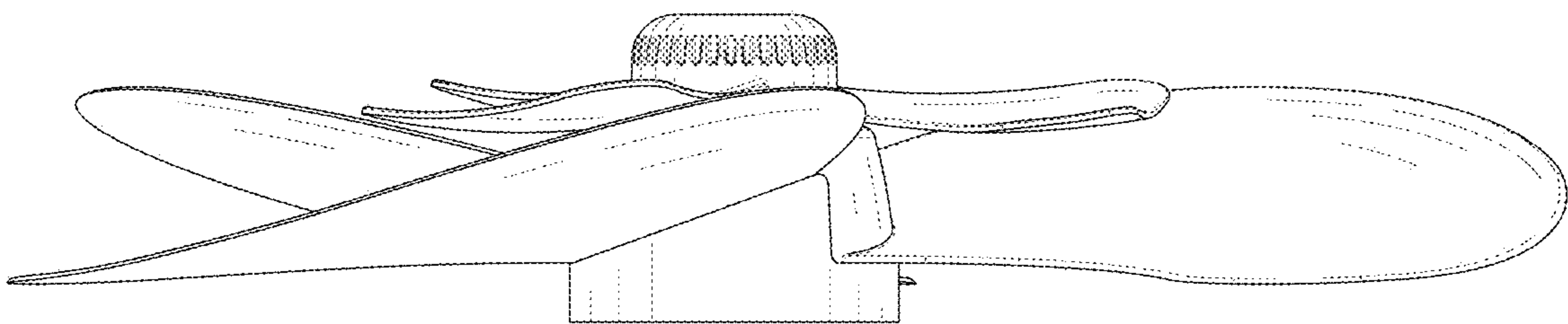


FIG. 8

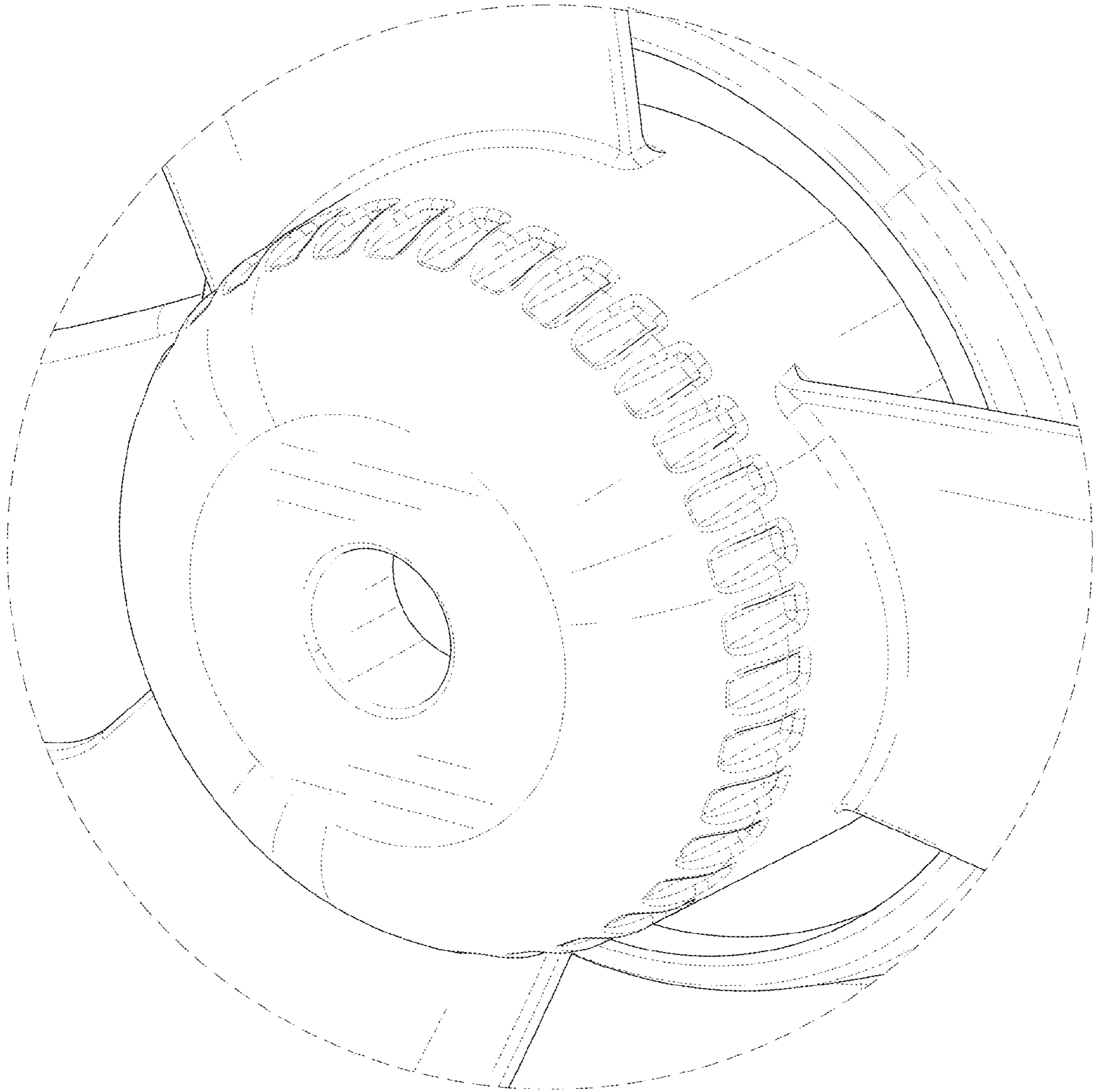


FIG. 9