



US00D981550S

(12) **United States Design Patent**  
**Bredahl**

(10) **Patent No.:** **US D981,550 S**  
(45) **Date of Patent:** **\*\* Mar. 21, 2023**

(54) **VENTILATION DAMPER**

(71) Applicant: **Red Viking Group, Inc.**, Charlotte, NC (US)

(72) Inventor: **Thomas Bredahl**, Charlotte, NC (US)

(73) Assignee: **Red Viking Group, Inc.**, Charlotte, NC (US)

(\*\*) Term: **15 Years**

(21) Appl. No.: **29/798,309**

(22) Filed: **Jul. 7, 2021**

(51) **LOC (14) Cl.** ..... **23-04**

(52) **U.S. Cl.**  
USPC ..... **D23/393; D23/370**

(58) **Field of Classification Search**  
USPC ..... D12/190; D23/393, 323, 328, 333, 335,  
D23/336, 337, 341, 352, 357, 370, 385,  
(Continued)

(56) **References Cited**

U.S. PATENT DOCUMENTS

- 2,956,496 A \* 10/1960 Simblest ..... F24F 13/08  
454/283
- D283,837 S \* 5/1986 Oster ..... D23/392  
(Continued)

*Primary Examiner* — Bao-Yen T Nguyen

*Assistant Examiner* — Jerry Shiuan-Hua Hsu

(74) *Attorney, Agent, or Firm* — Workman Nydegger

(57) **CLAIM**

The ornamental design for a ventilation damper, as shown and described.

**DESCRIPTION**

FIG. 1 is a rear perspective view of a ventilation damper showing the new design.

FIG. 2 is a front perspective view of the ventilation damper showing the new design.

FIG. 3 is a rear elevational view thereof.

FIG. 4 is a front elevational thereof.

FIG. 5 is a right side elevational view thereof.

FIG. 6 is a left side elevational view thereof.

FIG. 7 is a top plan view thereof.

FIG. 8 is a bottom plan view thereof.

FIG. 9 is a rear perspective view of a ventilation damper door of the ventilation damper of FIG. 1.

FIG. 10 is a front perspective view of the ventilation damper door of FIG. 9.

FIG. 11 is a rear elevational view thereof.

FIG. 12 is a front elevational thereof.

FIG. 13 is a left side elevational view thereof.

FIG. 14 is a right side elevational view thereof.

FIG. 15 is a top plan view thereof.

FIG. 16 is a bottom plan view thereof.

FIG. 17 is a front perspective view of a ventilation damper frame of the ventilation damper of FIG. 1.

FIG. 18 is a rear perspective view of the ventilation damper frame of FIG. 17.

FIG. 19 is a front elevational view thereof.

FIG. 20 is a rear elevational thereof.

FIG. 21 is a left side elevational view thereof.

FIG. 22 is a right side elevational view thereof.

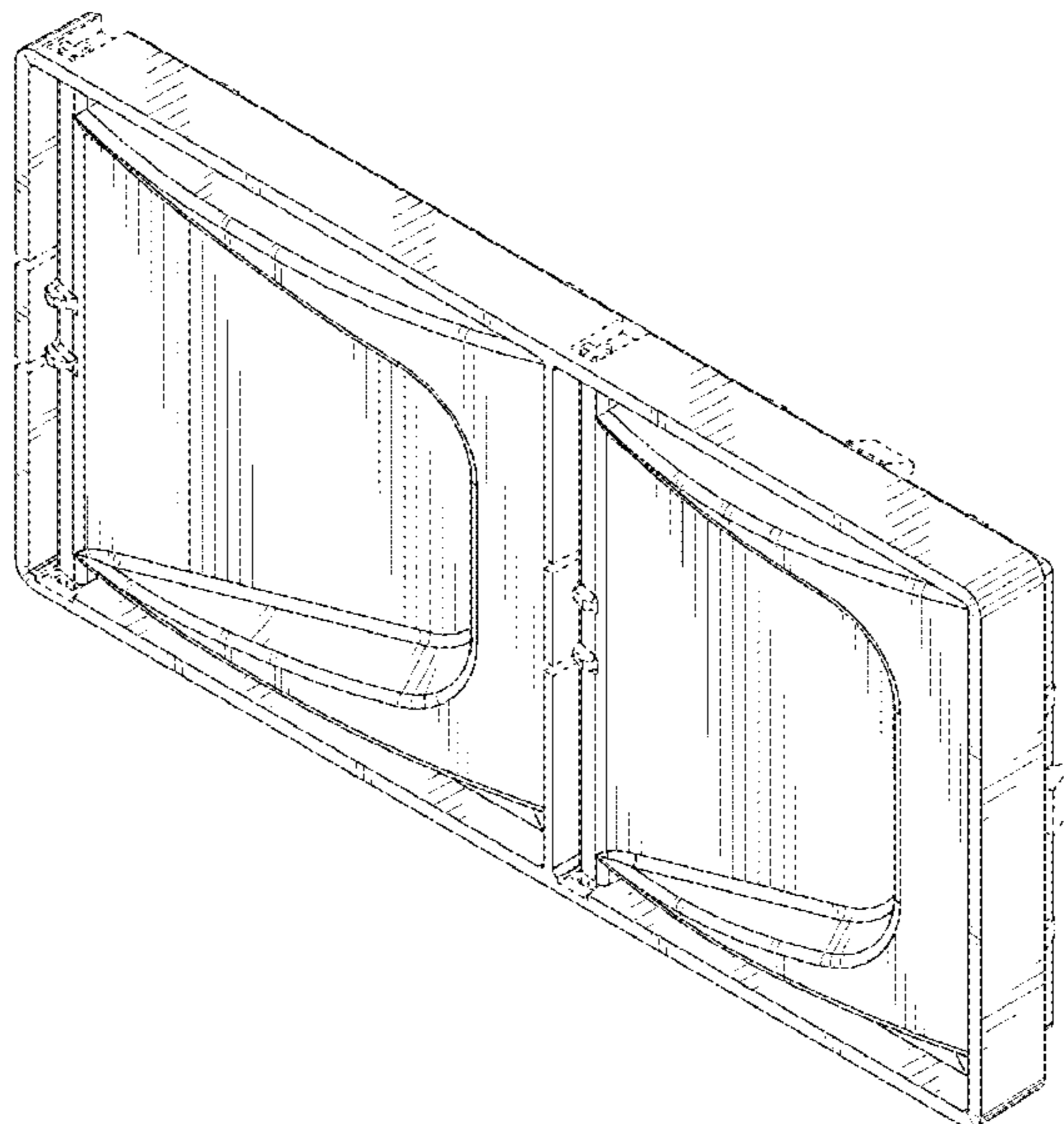
FIG. 23 is a top plan view thereof; and,

FIG. 24 is a bottom plan view thereof.

Although the ventilation damper in which the claimed design is embodied consists of a frame and two doors, the claim is directed to the ornamental appearance of the ventilation damper in its entirety and does not extend to the ornamental appearance of each of the individual components in isolation.

The broken lines in the drawings depict portions of the ventilation damper that form no part of the claimed design.

**1 Claim, 15 Drawing Sheets**



(58) **Field of Classification Search**

USPC ..... D23/386, 388, 392, 397, 399, 400, 406,  
D23/411, 412, 413, 499

CPC ..... B60H 1/00678; F24F 11/75; F24F 7/00;  
F24F 13/082; F24F 13/08; F24F 13/1426

See application file for complete search history.

(56) **References Cited**

U.S. PATENT DOCUMENTS

D587,797 S \* 3/2009 Blanchard ..... D23/370  
9,157,652 B2 \* 10/2015 Chamness ..... F24F 11/75  
9,441,854 B2 \* 9/2016 Ramsay ..... F24F 7/00  
D771,233 S \* 11/2016 Smith ..... D23/393  
D771,793 S \* 11/2016 Smith ..... D23/393  
2006/0099903 A1 \* 5/2006 Bowler ..... B60H 1/00678  
454/121  
2009/0023379 A1 \* 1/2009 Bredahl ..... F24F 13/082  
454/363  
2020/0363096 A1 \* 11/2020 Harpenau ..... F24F 13/1426

\* cited by examiner

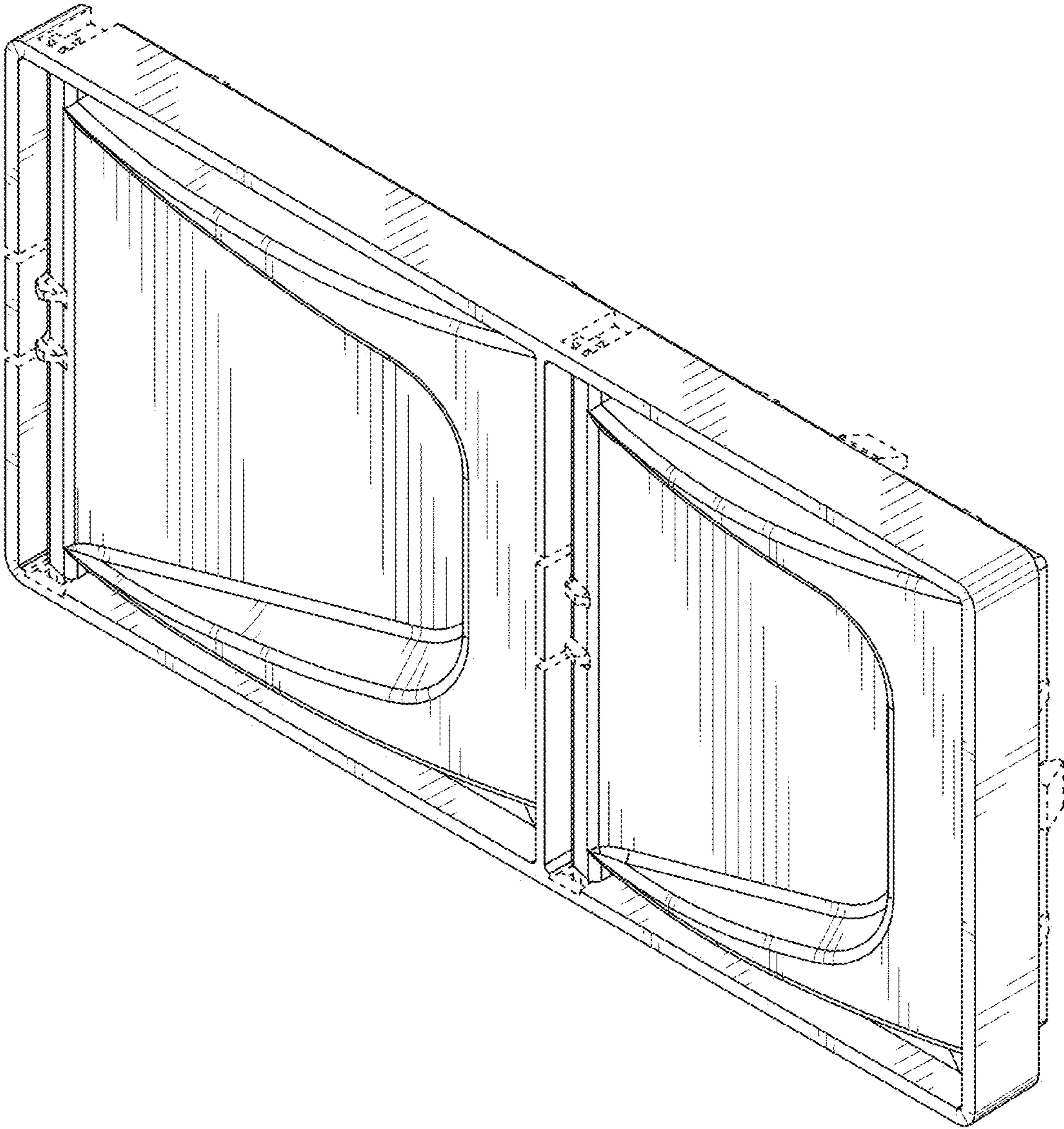


FIG. 1



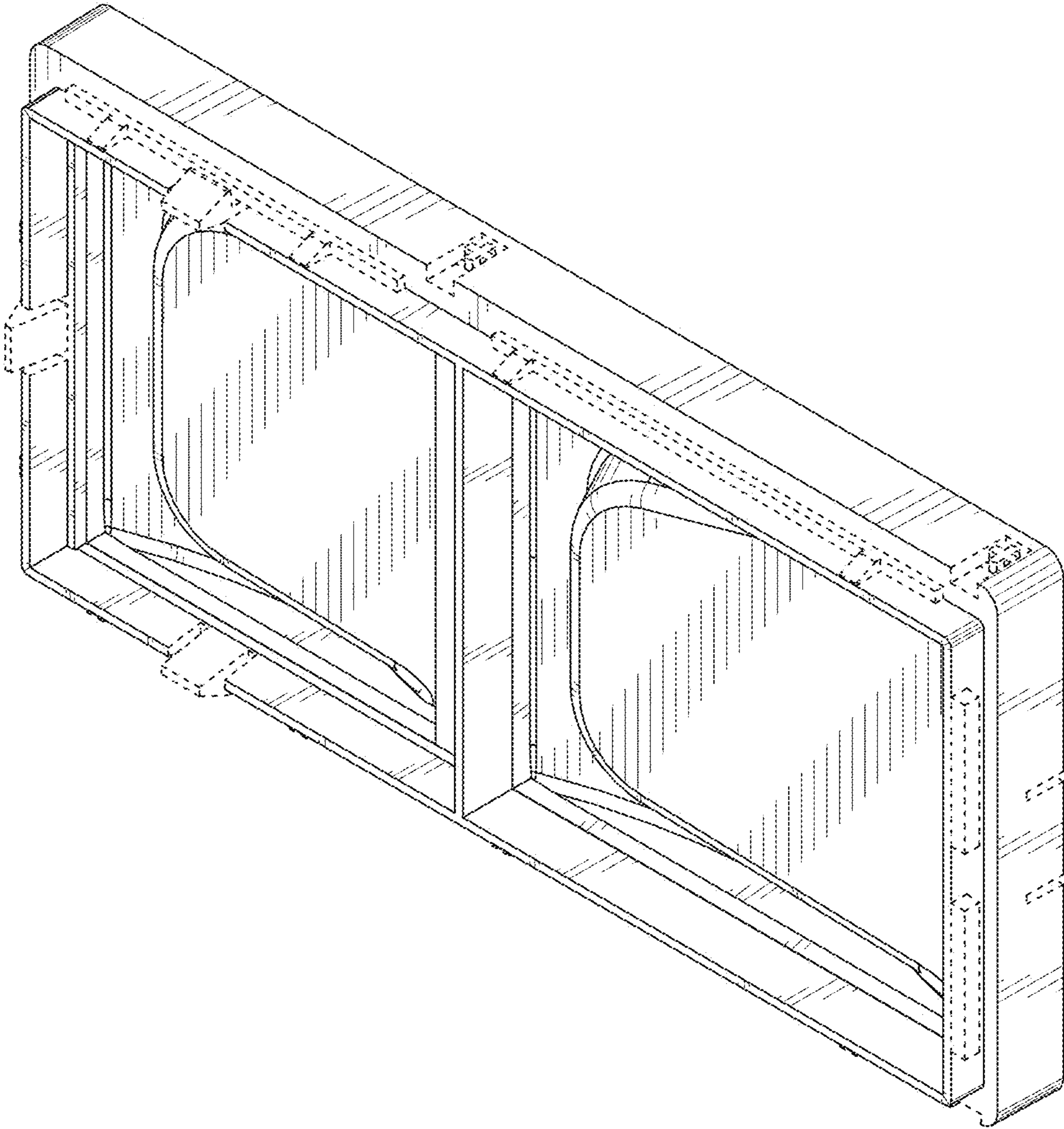


FIG. 2

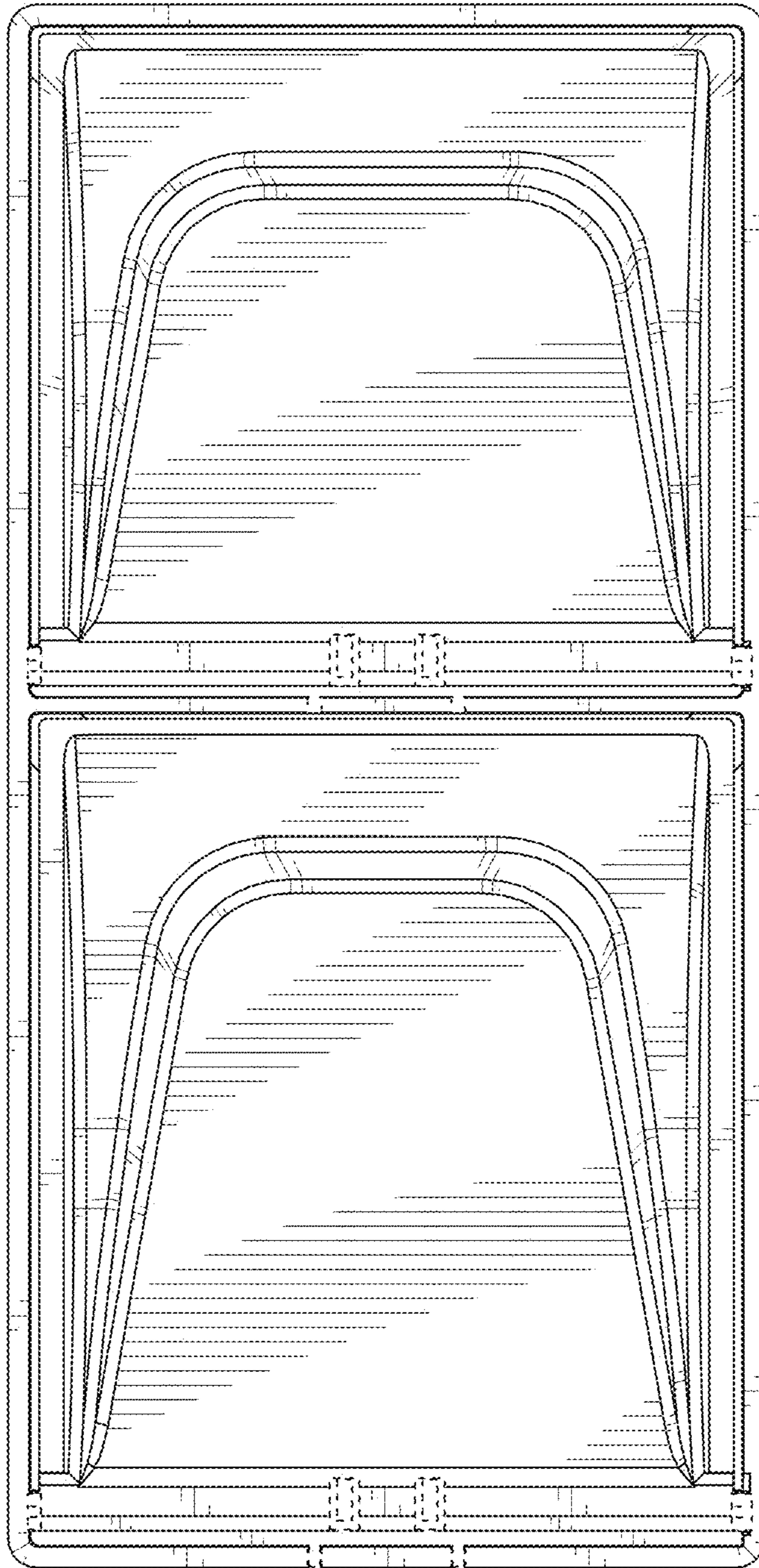


FIG. 3

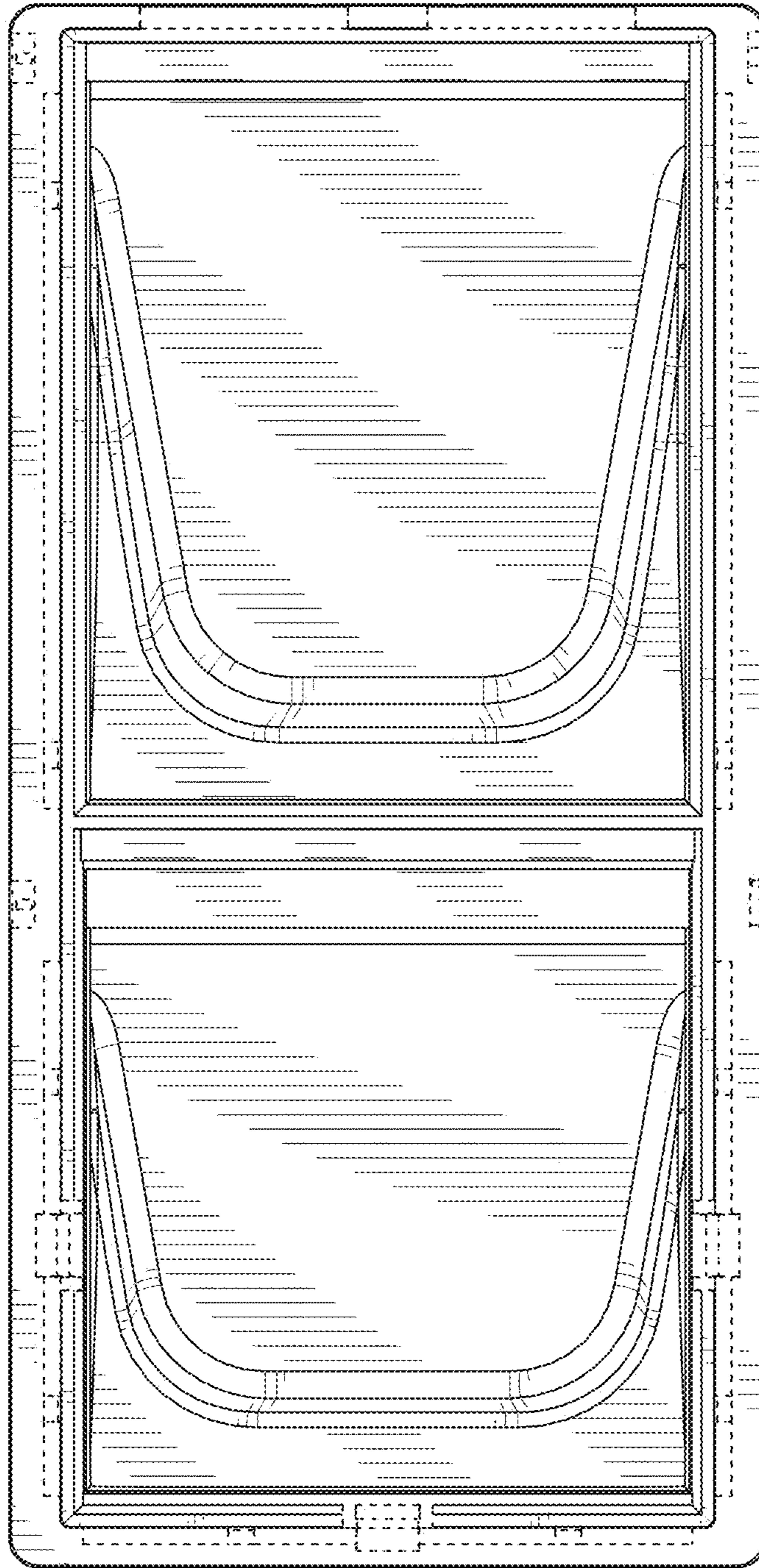


FIG. 4

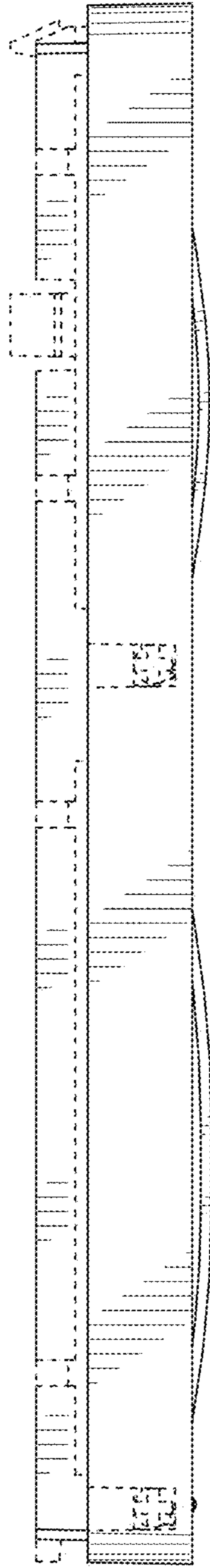


FIG. 5

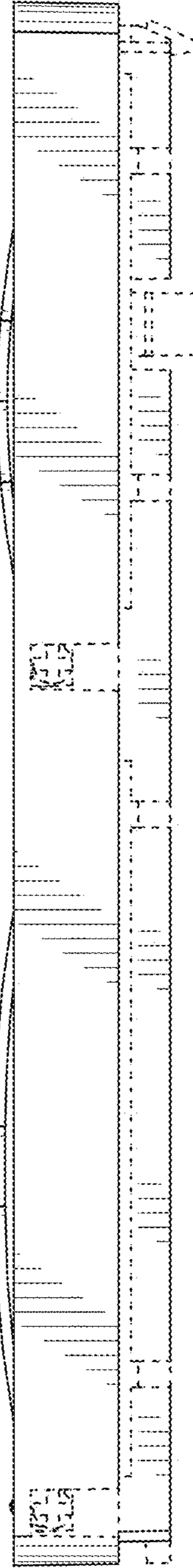


FIG. 6



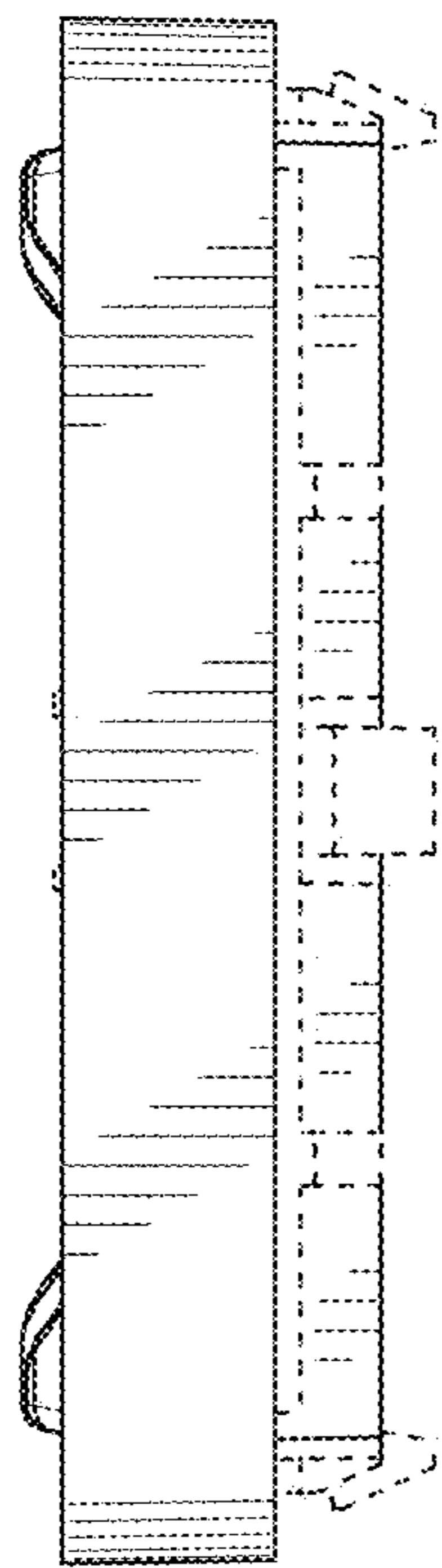


FIG. 7

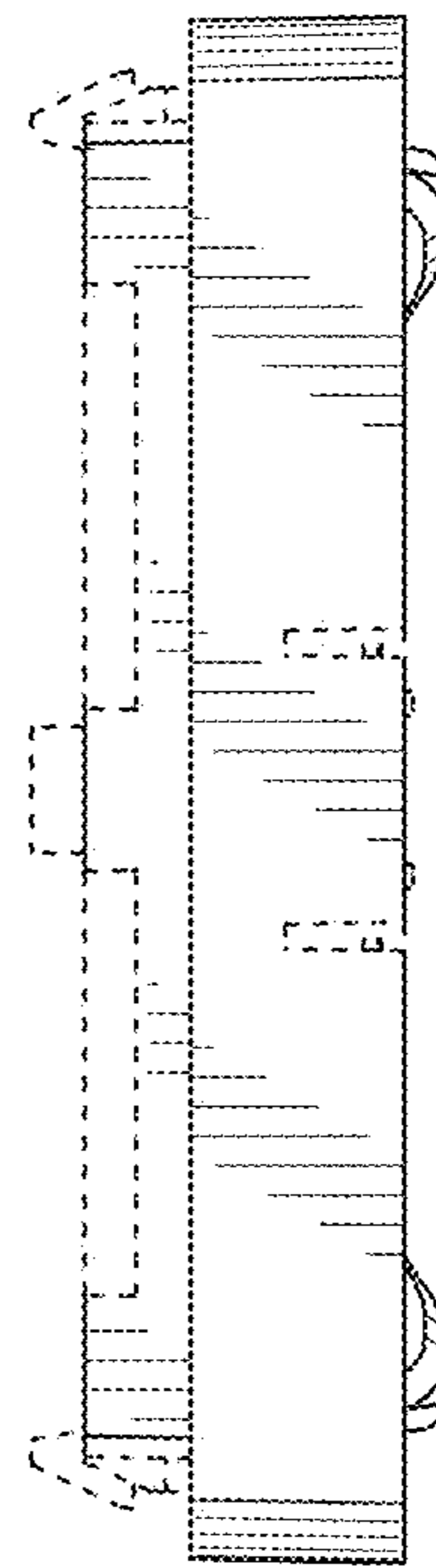


FIG. 8



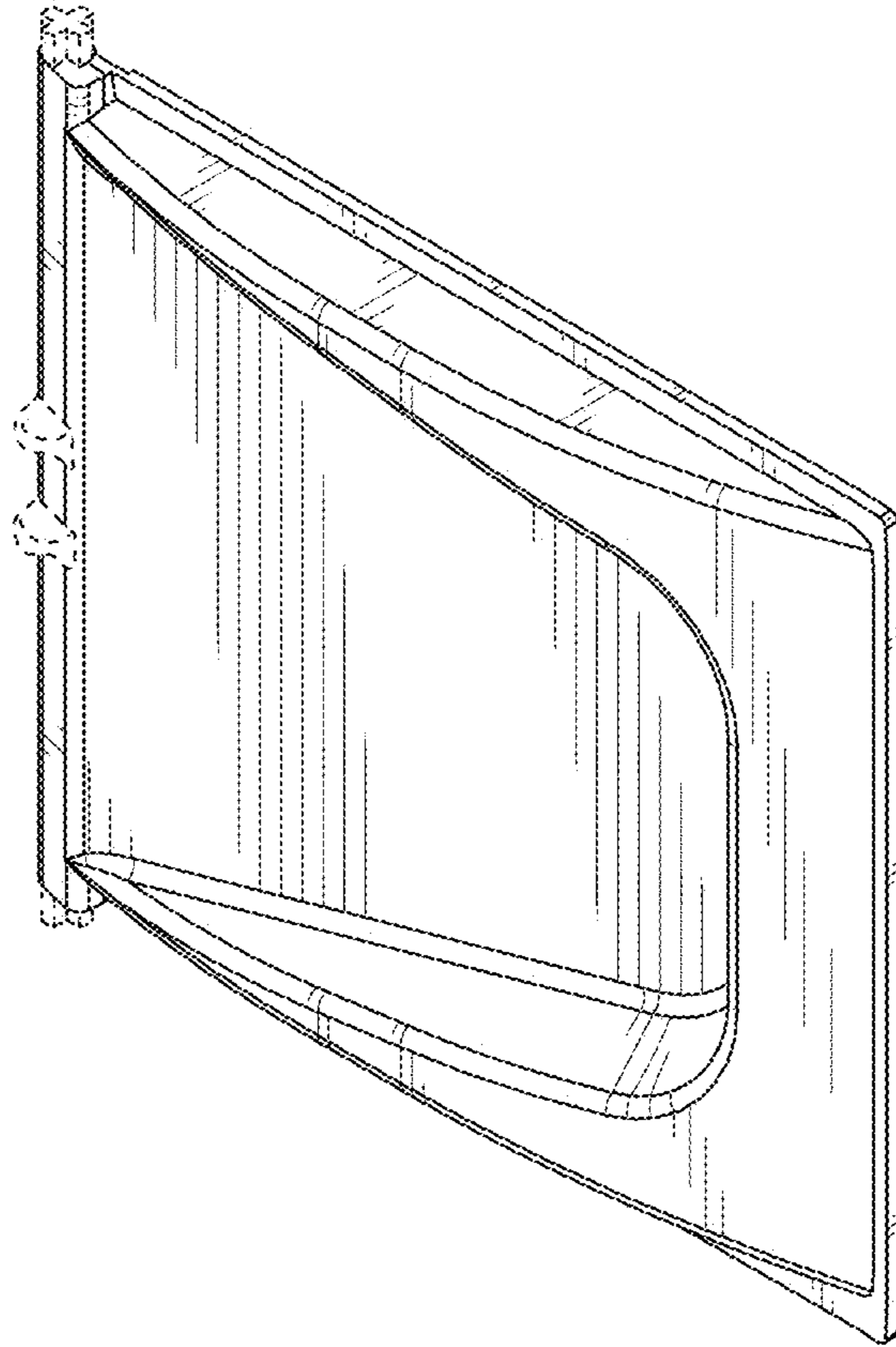


FIG. 9

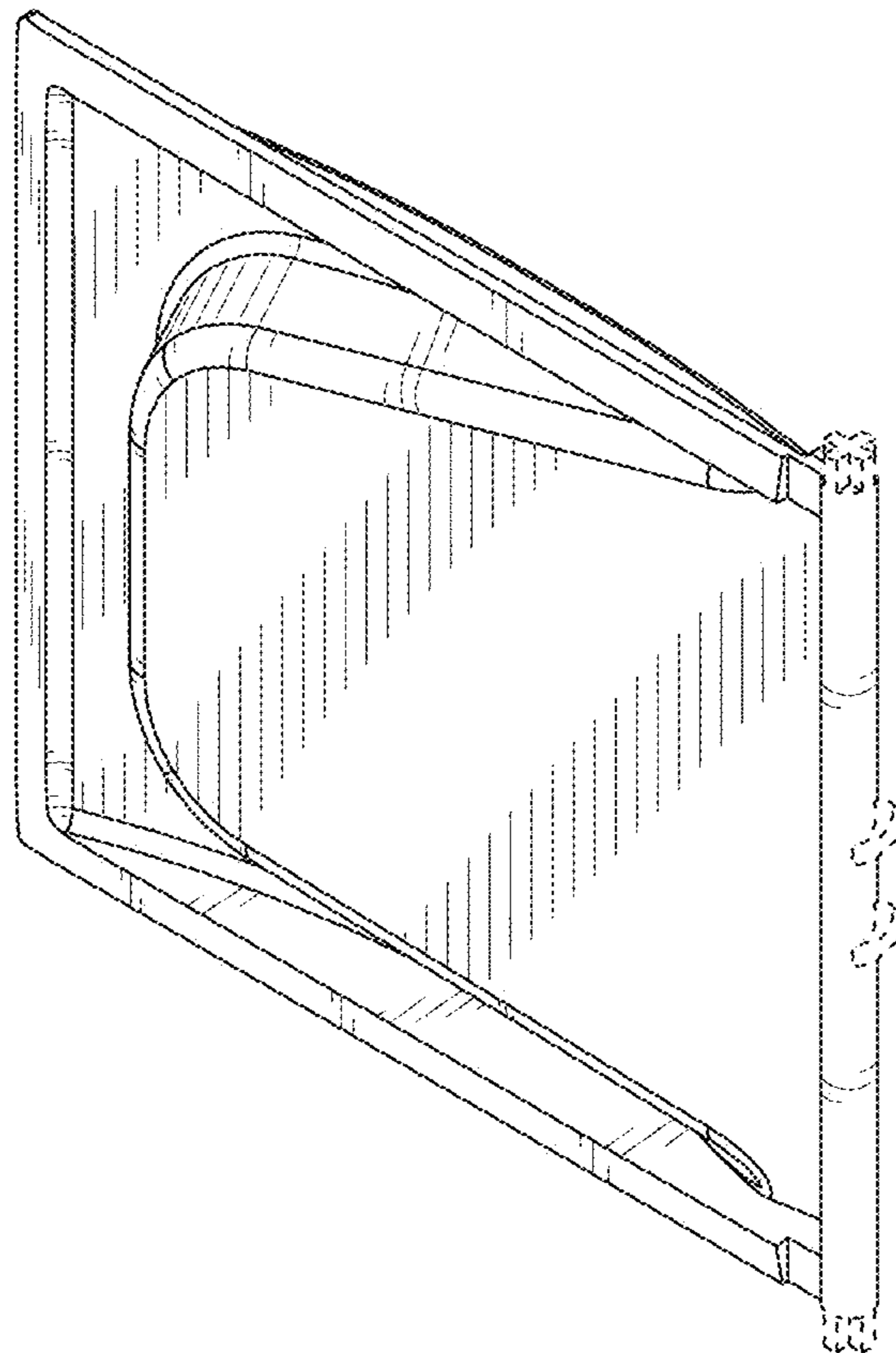


FIG. 10

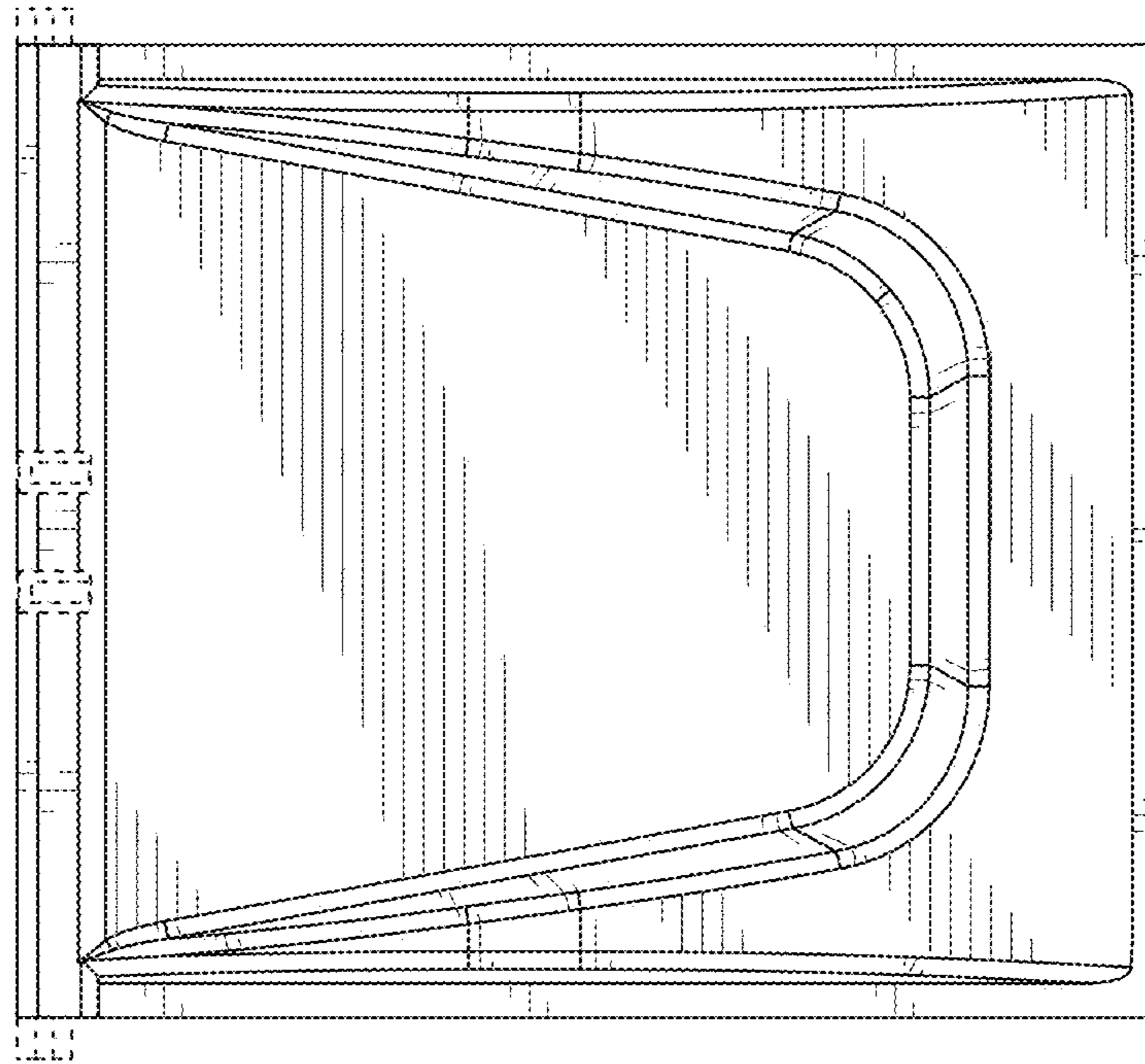


FIG. 11

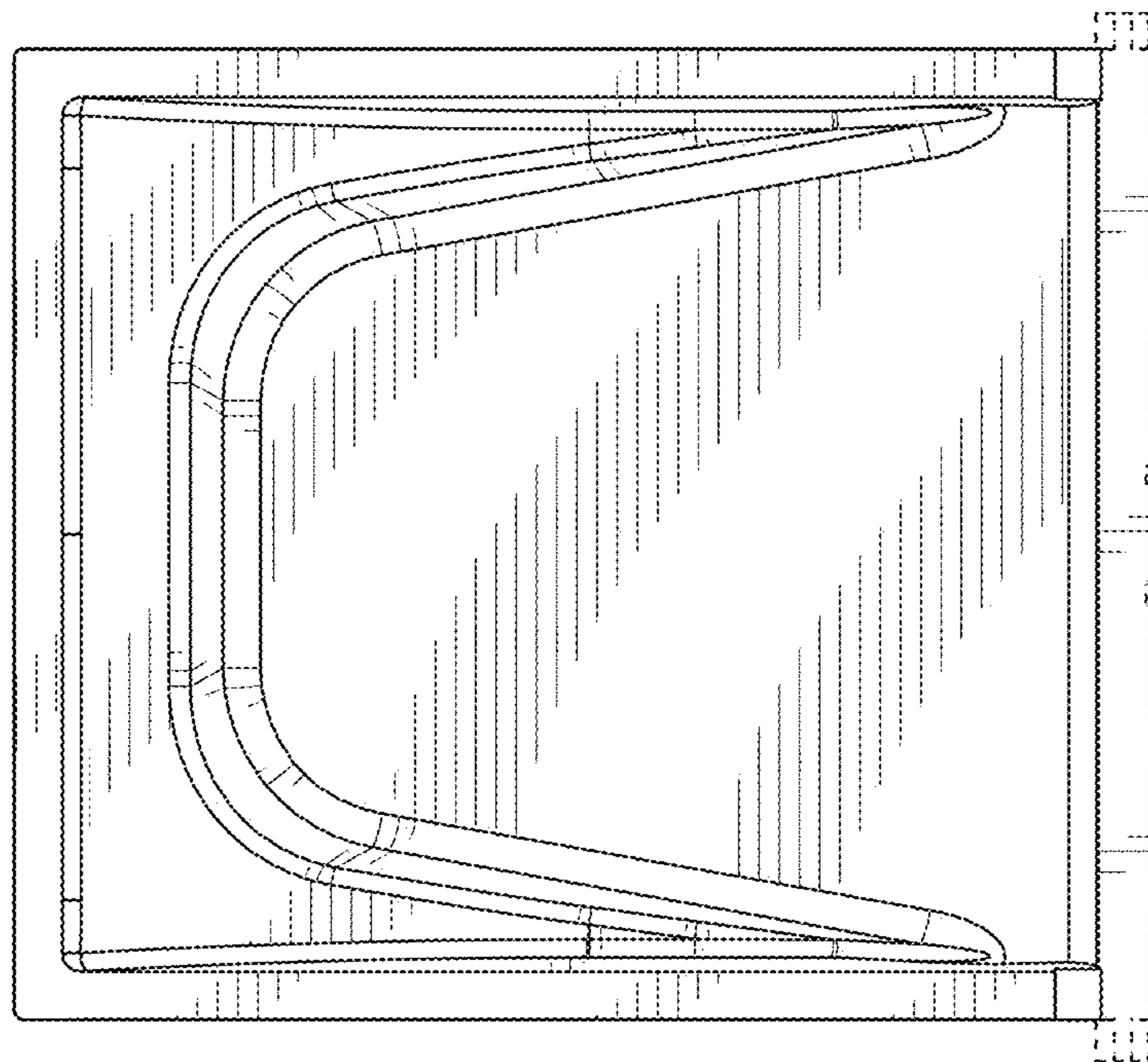


FIG. 12

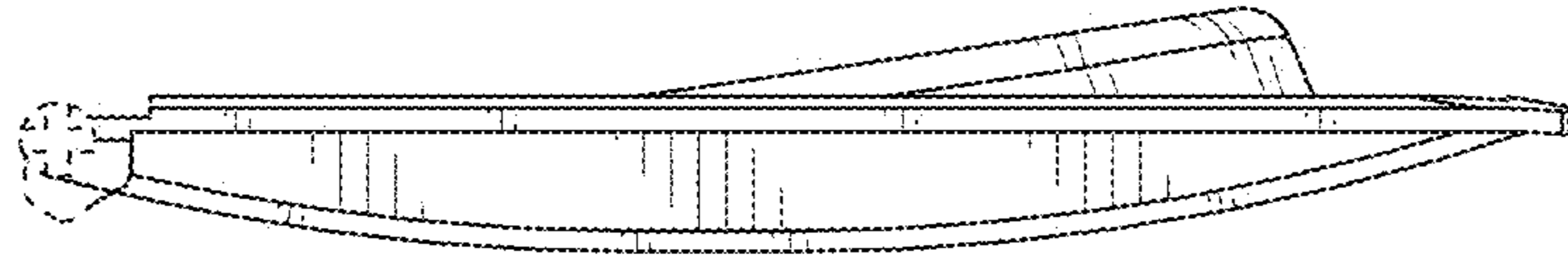


FIG. 13

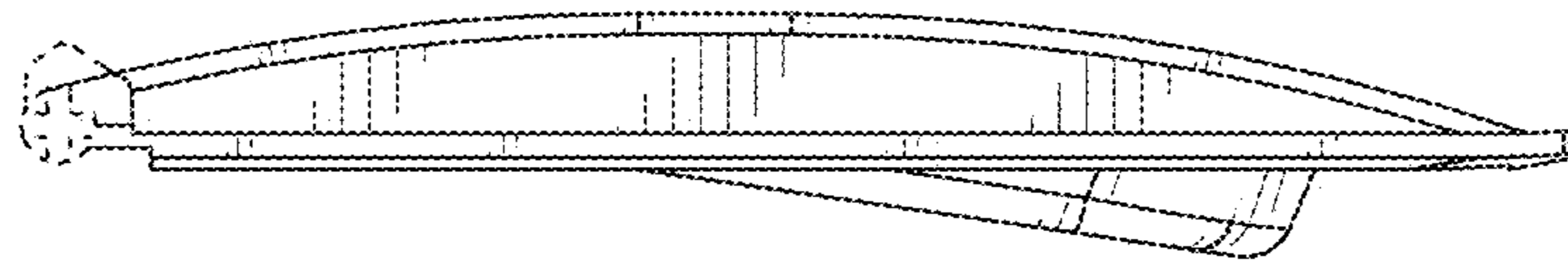


FIG. 14

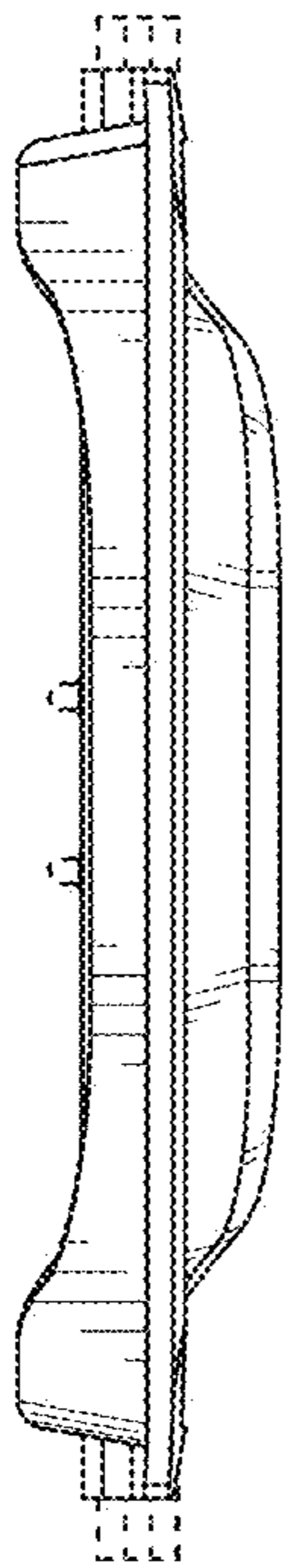


FIG. 15

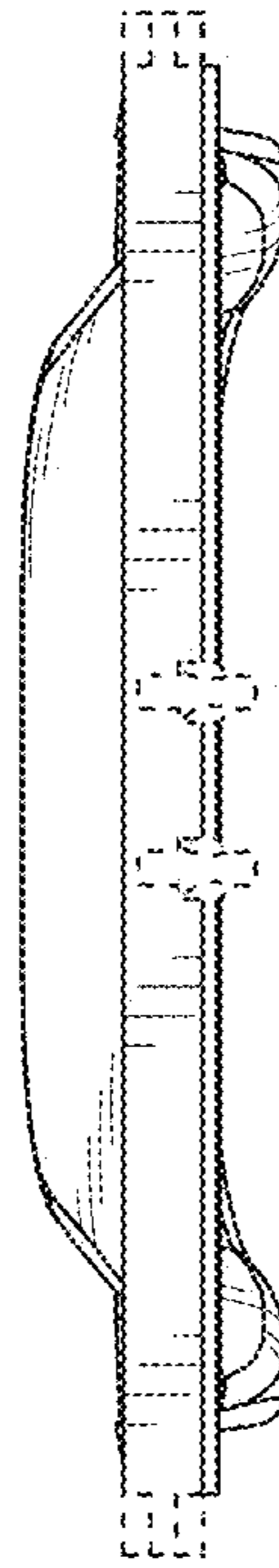


FIG. 16

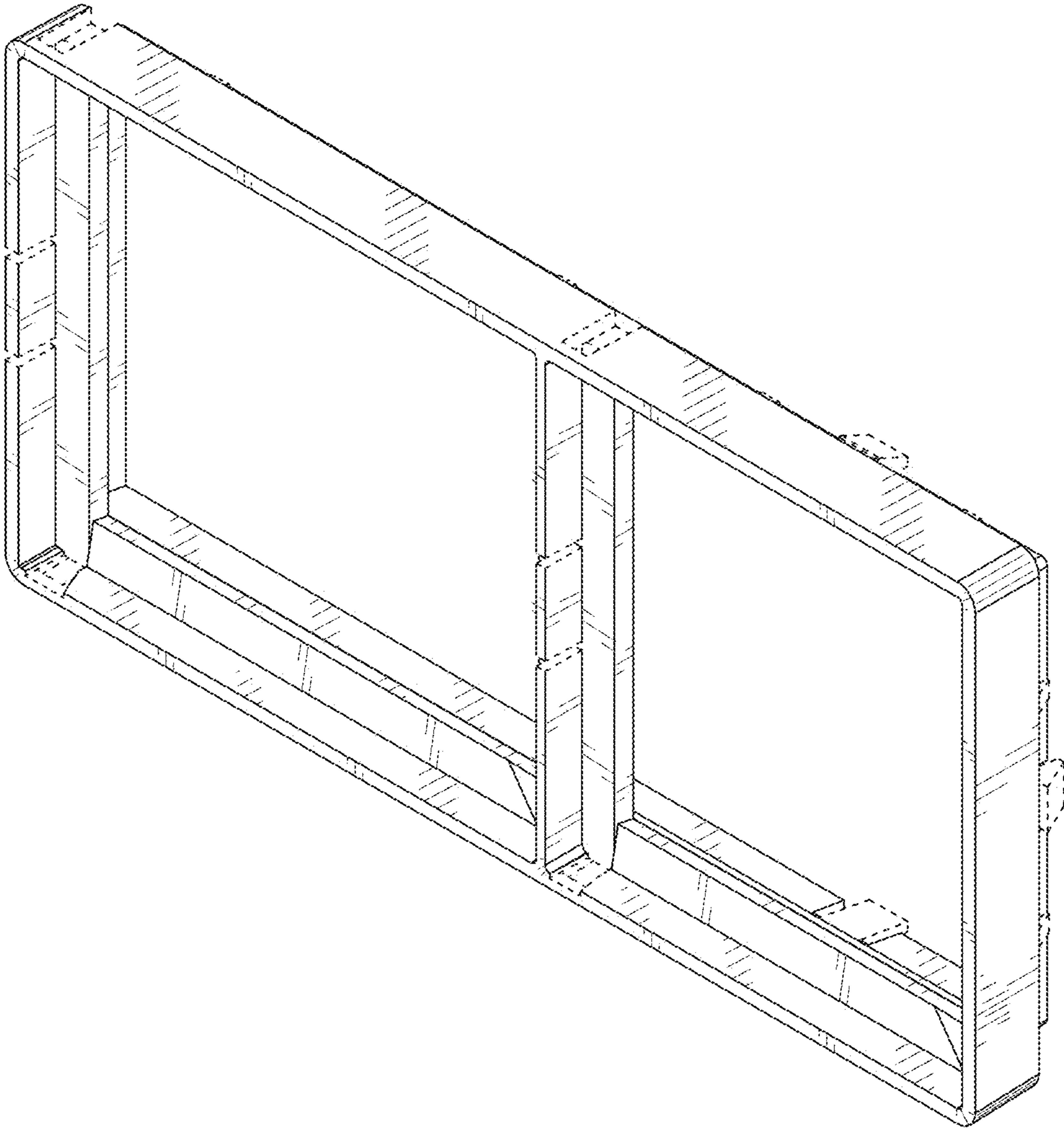


FIG. 17



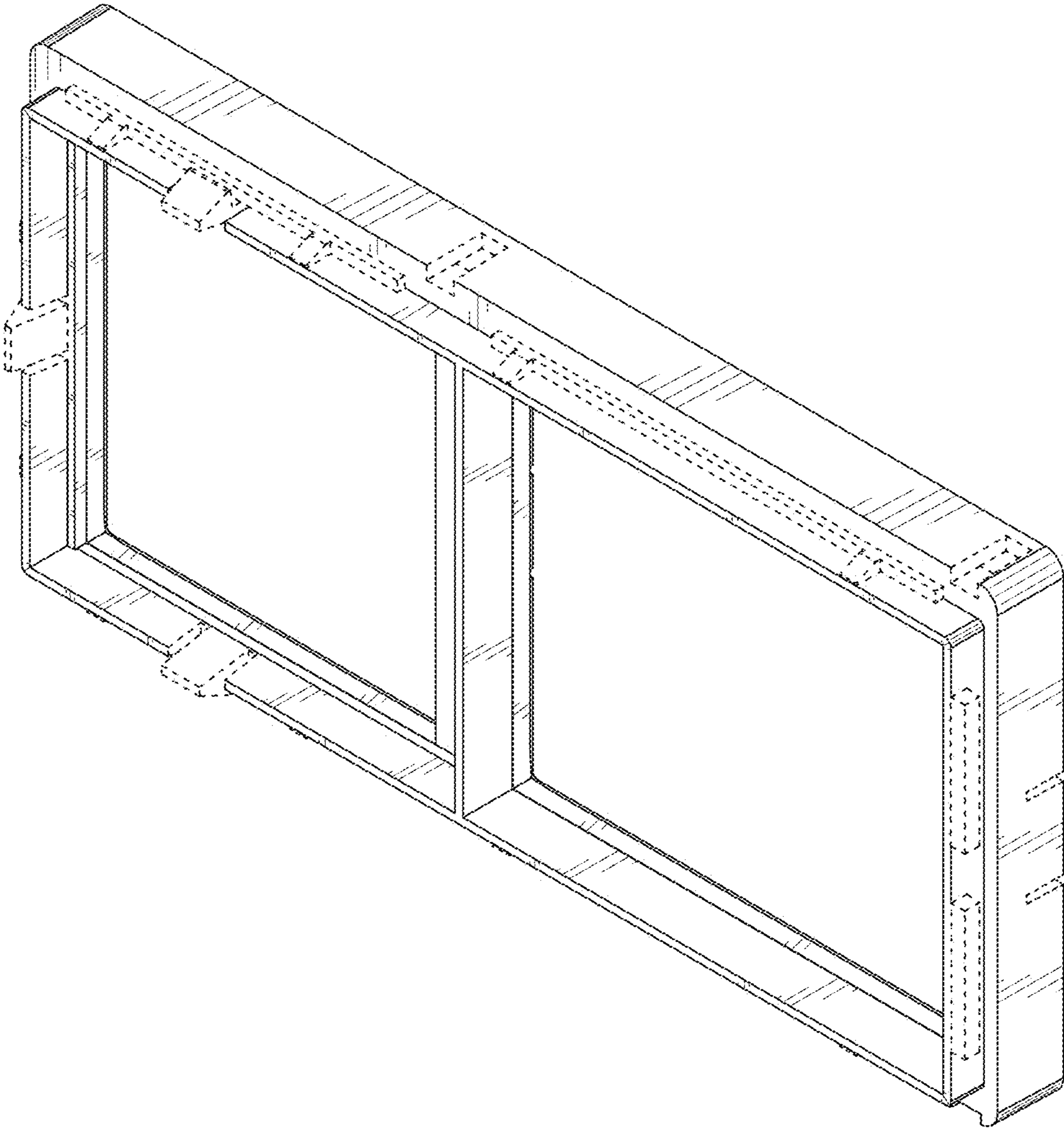


FIG. 18

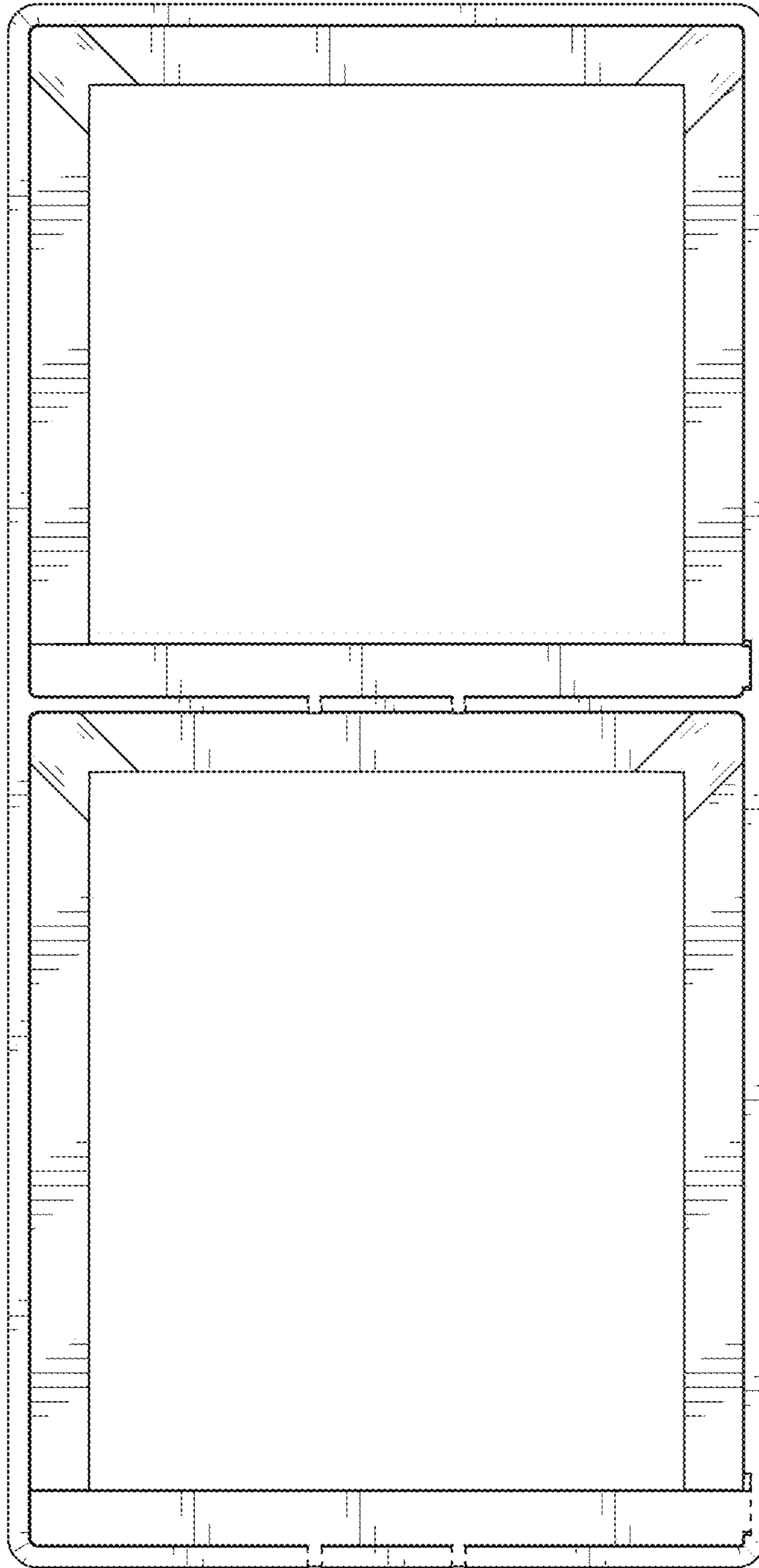


FIG. 19

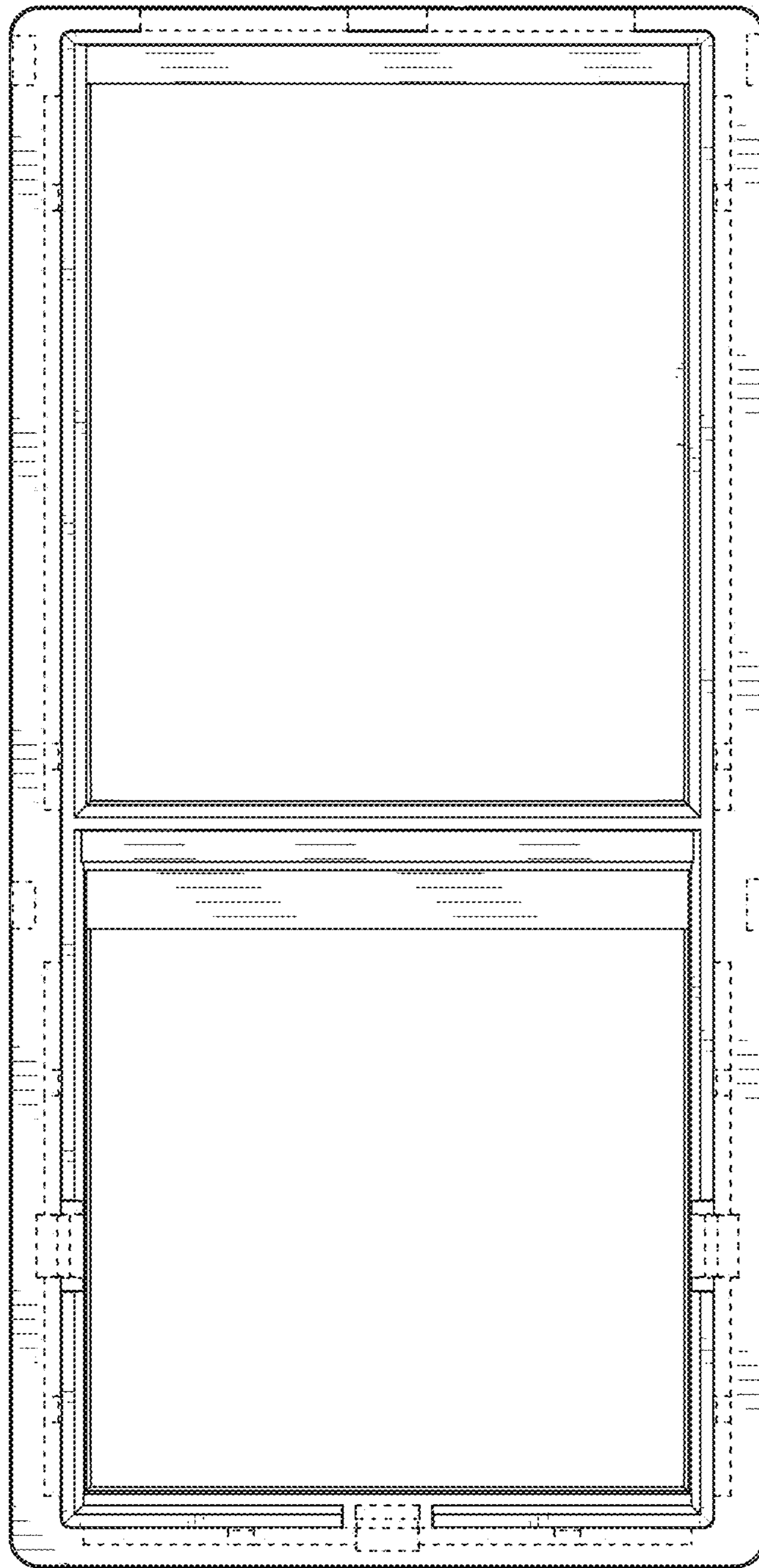


FIG. 20

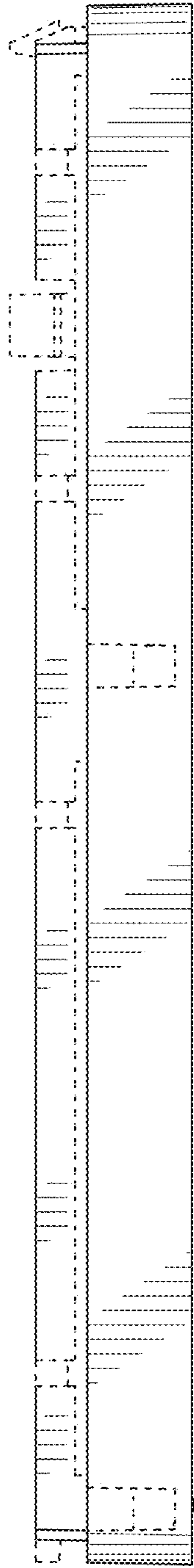


FIG. 21

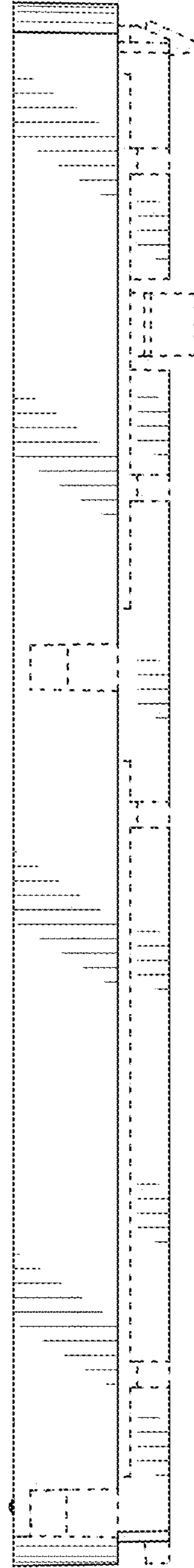


FIG. 22



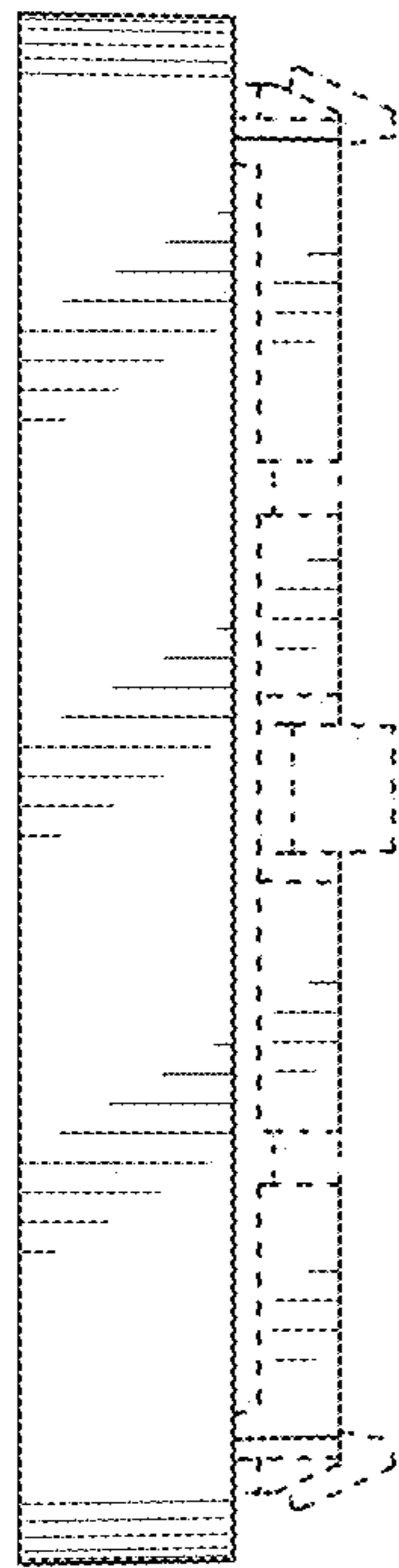


FIG. 23

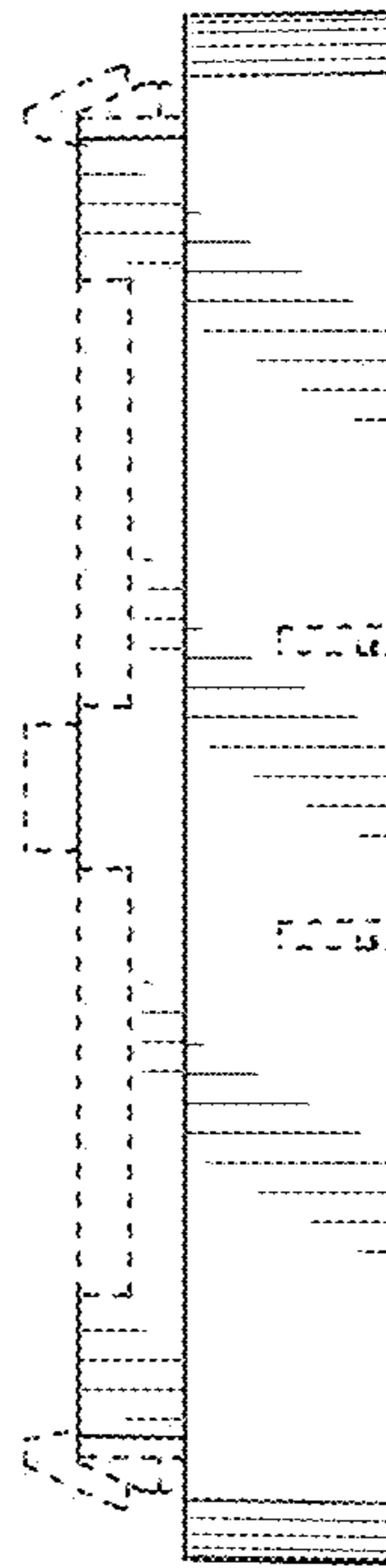


FIG. 24