



US00D981548S

(12) **United States Design Patent**
Pan

(10) **Patent No.:** **US D981,548 S**
(45) **Date of Patent:** **** Mar. 21, 2023**

(54) **CEILING FAN WITH LIGHT**

(71) Applicant: **Fangming Pan**, Ganzhou (CN)

(72) Inventor: **Fangming Pan**, Ganzhou (CN)

(**) Term: **15 Years**

(21) Appl. No.: **29/818,685**

(22) Filed: **Dec. 9, 2021**

(51) **LOC (14) Cl.** **23-04**

(52) **U.S. Cl.**
USPC **D23/377**

(58) **Field of Classification Search**
USPC D23/370, 377, 379–382, 385; D26/59
CPC F04D 25/088; F04D 29/38; F04D 29/384;
F04D 29/386; F21V 33/0096
See application file for complete search history.

(56) **References Cited**

U.S. PATENT DOCUMENTS

| | | | | |
|-------------------|---------|-----------|-------|--------------------------|
| D535,011 S * | 1/2007 | Gajewski | | D23/379 |
| D536,083 S * | 1/2007 | Gajewski | | D23/379 |
| 7,481,626 B2 * | 1/2009 | Gajewski | | F04D 29/384 416/220 A |
| D750,213 S * | 2/2016 | Schulzman | | D23/385 |
| D833,595 S * | 11/2018 | Busta | | D23/377 |
| D834,734 S | 11/2018 | Guthrie | | |
| D851,233 S * | 6/2019 | Gajewski | | D23/377 |
| D852,349 S * | 6/2019 | Hornig | | D23/377 |
| D858,735 S * | 9/2019 | Wang | | D23/377 |
| D881,370 S * | 4/2020 | Gajewski | | D23/377 |
| D886,979 S * | 6/2020 | Gorali | | D23/377 |
| D928,373 S | 8/2021 | Haggar | | |
| D933,188 S * | 10/2021 | Li | | D23/377 |
| D933,810 S * | 10/2021 | Li | | D23/413 |
| D940,847 S * | 1/2022 | Wang | | D23/377 |
| 2007/0104583 A1 * | 5/2007 | Gajewski | | F04D 29/005 416/210 R |

OTHER PUBLICATIONS

Sofucor Ceiling Fan 52 Inch Wood Ceiling Fan with Lights . . . , date first available Nov. 2, 2021, site visited Sep. 6, 2022, <https://www.amazon.com/dp/B09KTRDGXY/ref=sspa_dk_detail_4?pd_rd_i=B09KTRDGXY&pd_rd_w=auPEz&content-id=amzn1.sym.bff6e147-54ad-4be3-b4ea-ec19ea6167f7&pf_rd_p=bf6e147-54ad-4be3-b4ea-ec19ea6167f7&pf_rd_r=QHP9SD7JX4XXQM0WPBZZ&pd_rd_wg=ldVRi&pd_rd_r=3d368231-b6ea-43d4-b059-a9338f1f5bbc&s=kitchen&sp_csd=d2lkZ2V0TmFtZT1zcF9kZXRhaWwy&spLa=ZW5jcnlwdGVkUXVhbGlmaWVyPUEwOTQzNDM3M0xTM0FKN0JWUdWVYzZ3aWRnZXROYWlIPXNwX2RldGFpbDlmYWN0aW9uPWNsaWNrUmVkaXJlY3QmZG9Ob3RMb2dDbGljaz10cnVI&th=1>.*

* cited by examiner

Primary Examiner — Sharon S Oum

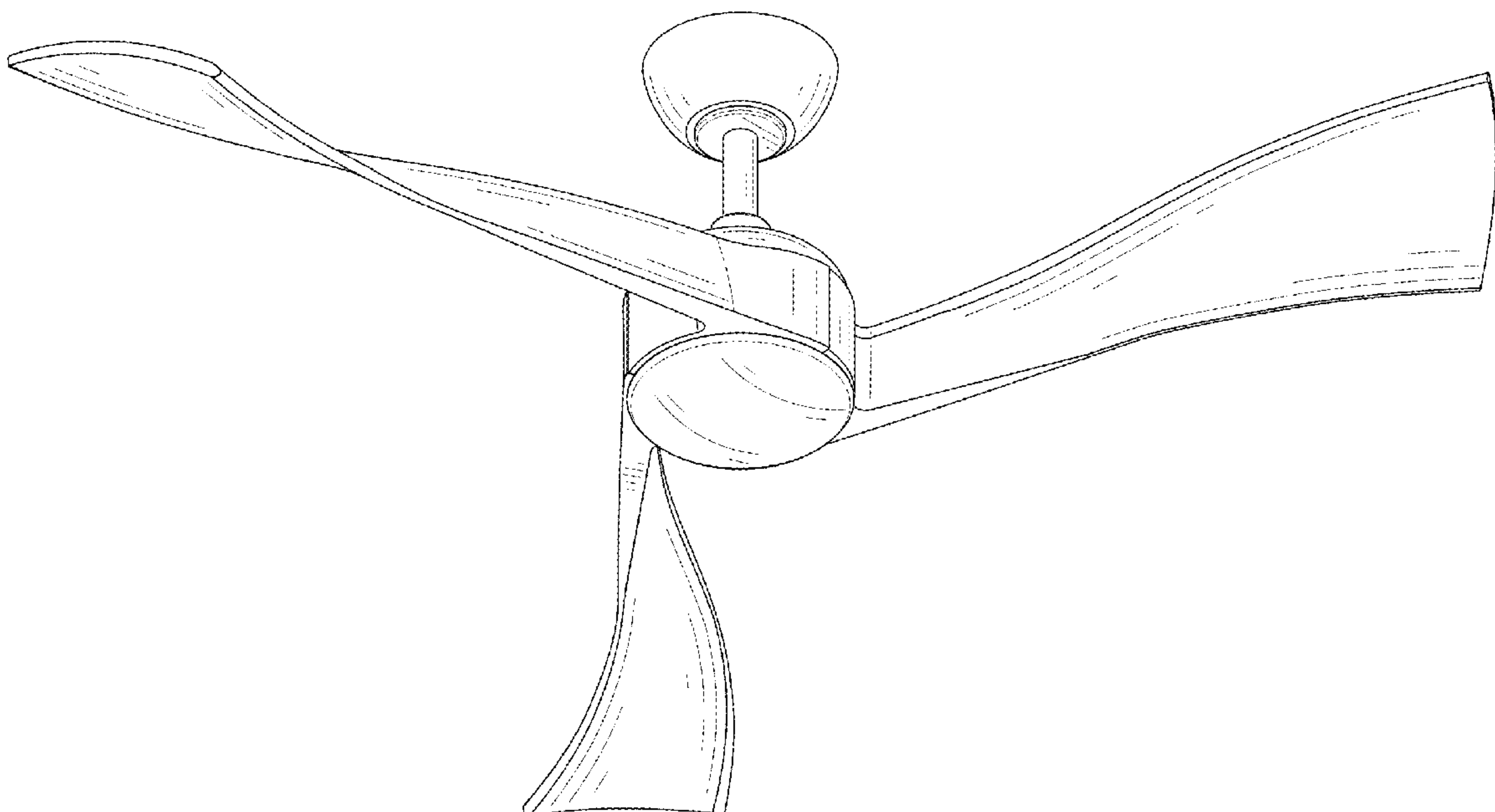
(57) **CLAIM**

The ornamental design for a ceiling fan with light, as shown and described.

DESCRIPTION

FIG. 1 is a perspective view of a ceiling fan with light showing my new design; FIG. 2 is another perspective view thereof; FIG. 3 is a front elevational view thereof; FIG. 4 is a rear elevational view thereof; FIG. 5 is a left side elevational view thereof; FIG. 6 is a right side elevational view thereof; FIG. 7 is a top plan view thereof; and, FIG. 8 is a bottom plan view thereof. The broken lines in the drawings depict portions of the ceiling fan with light that form no part of the claimed design.

1 Claim, 8 Drawing Sheets



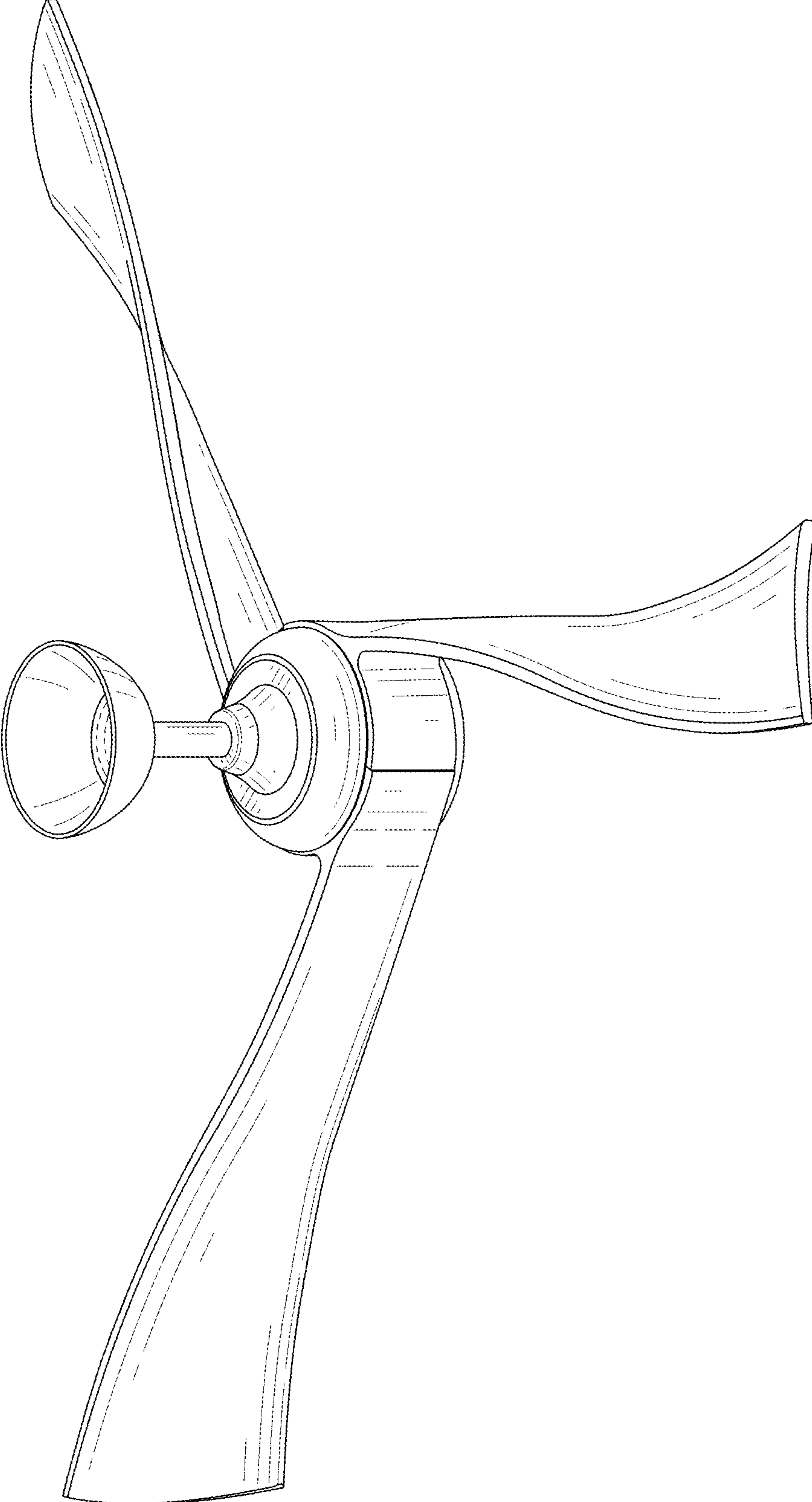


FIG. 1

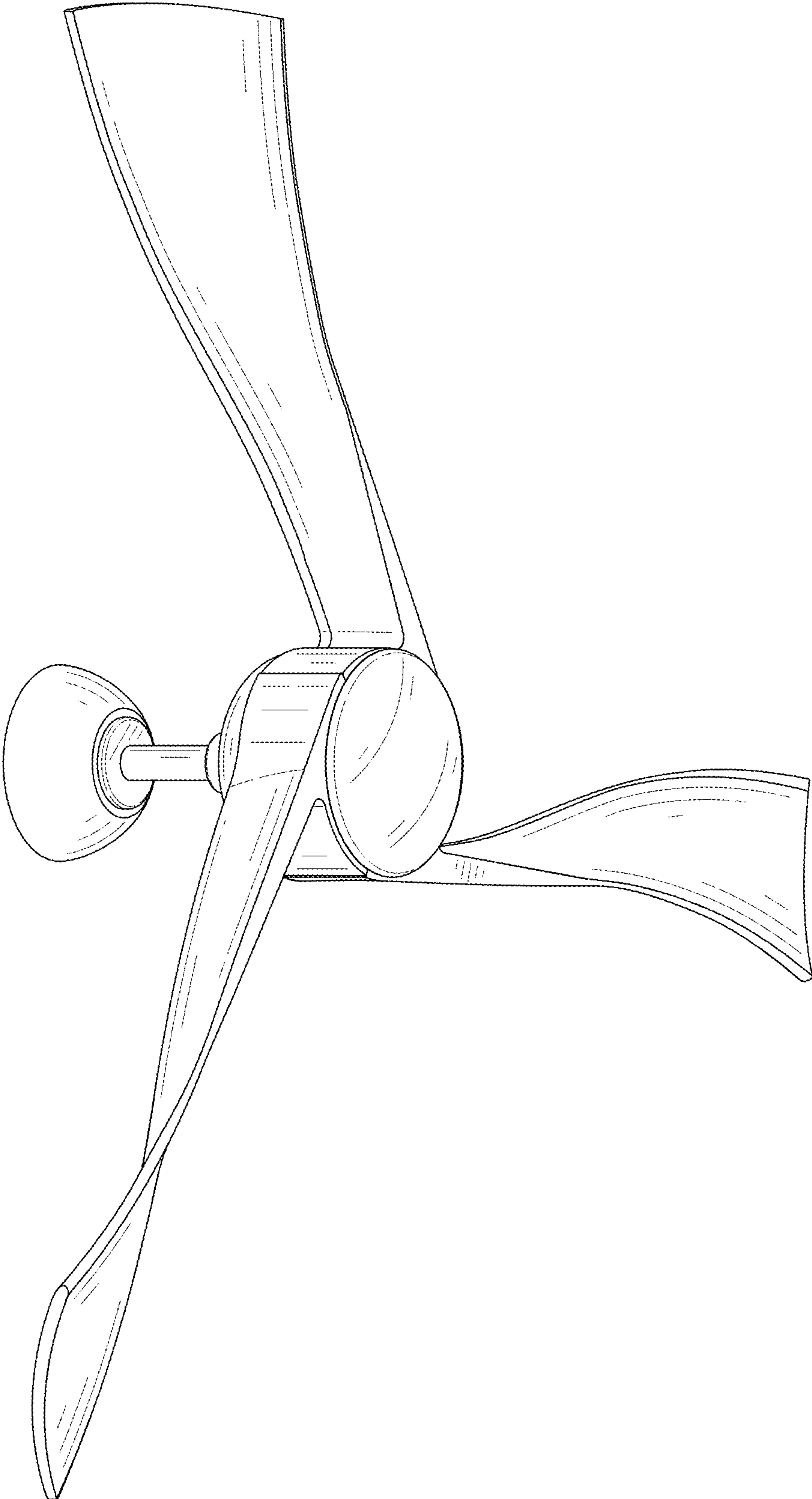


FIG. 2

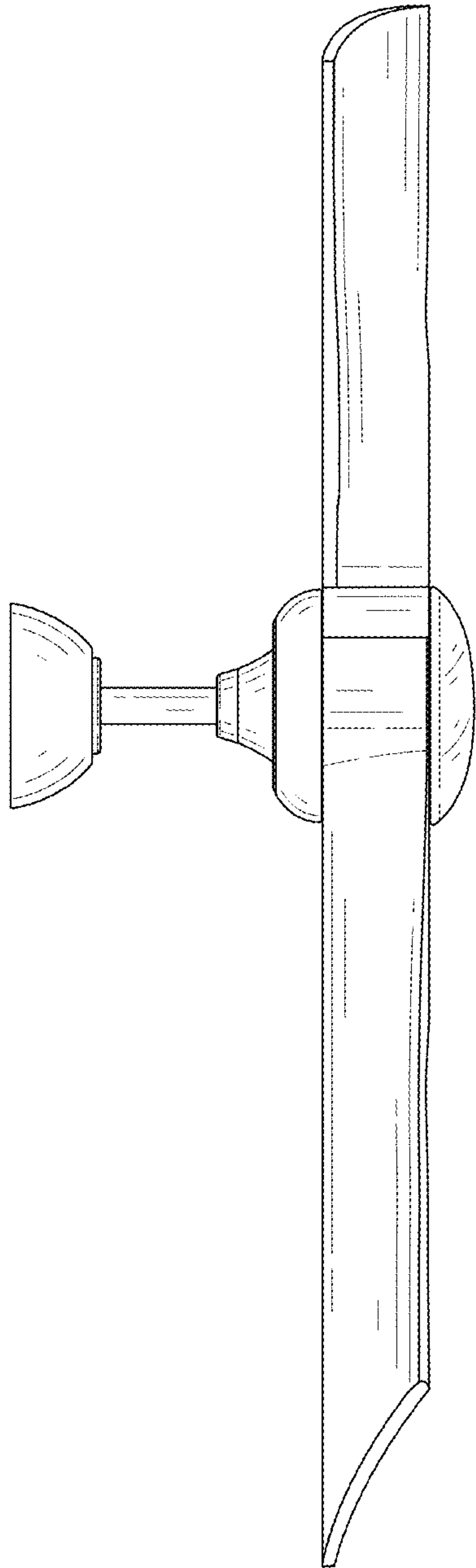


FIG. 3

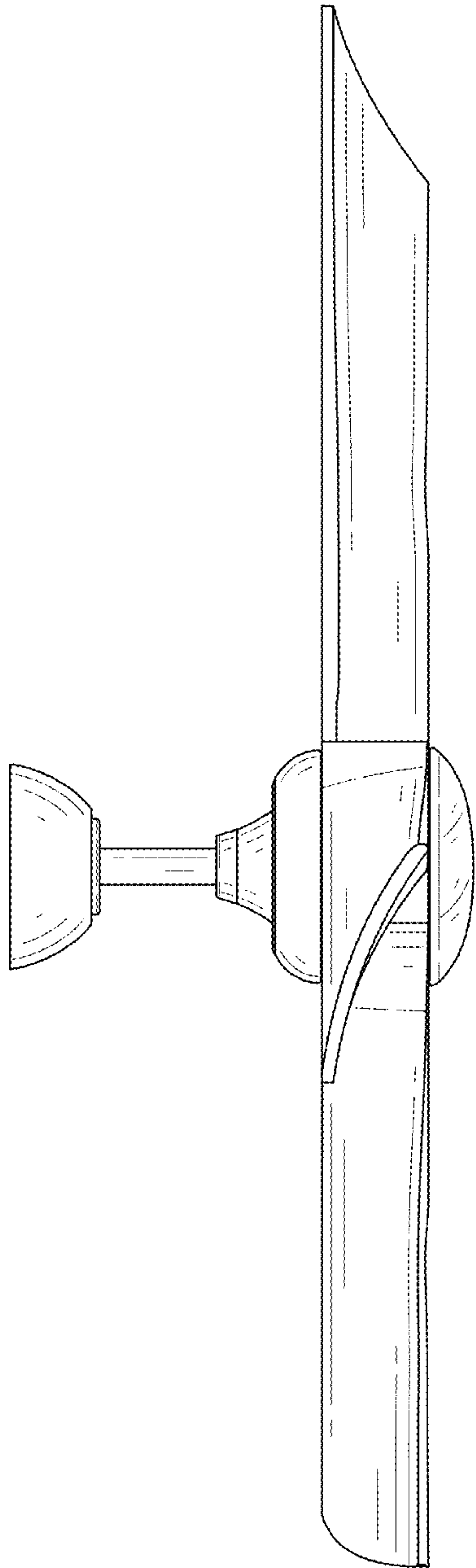


FIG. 4

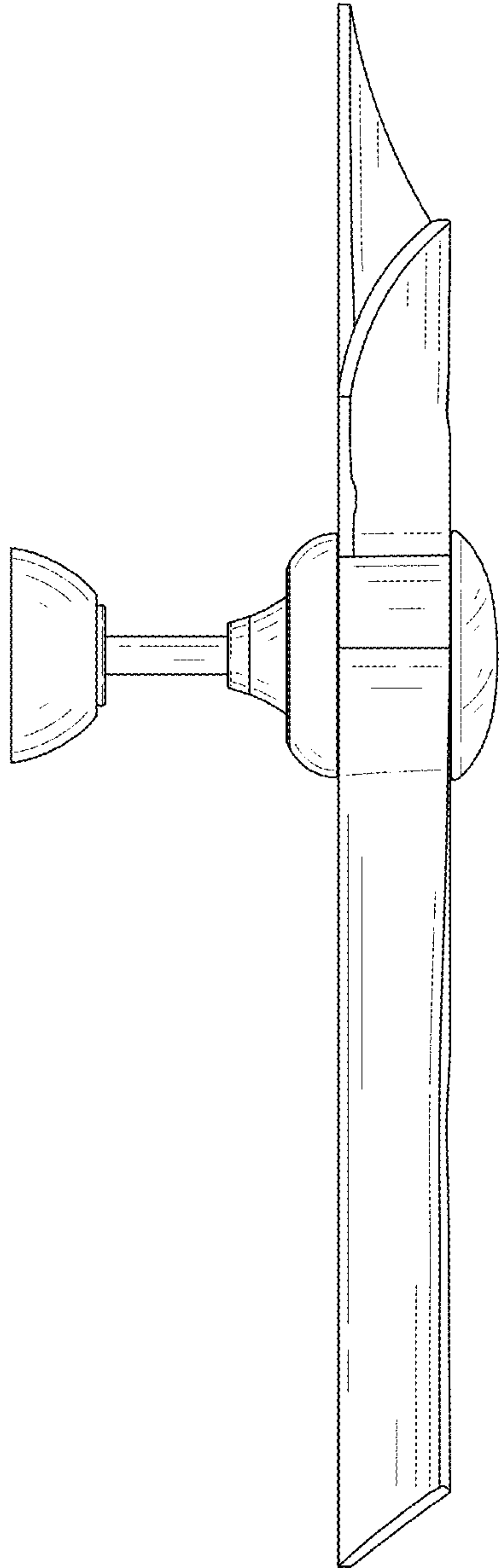


FIG. 5

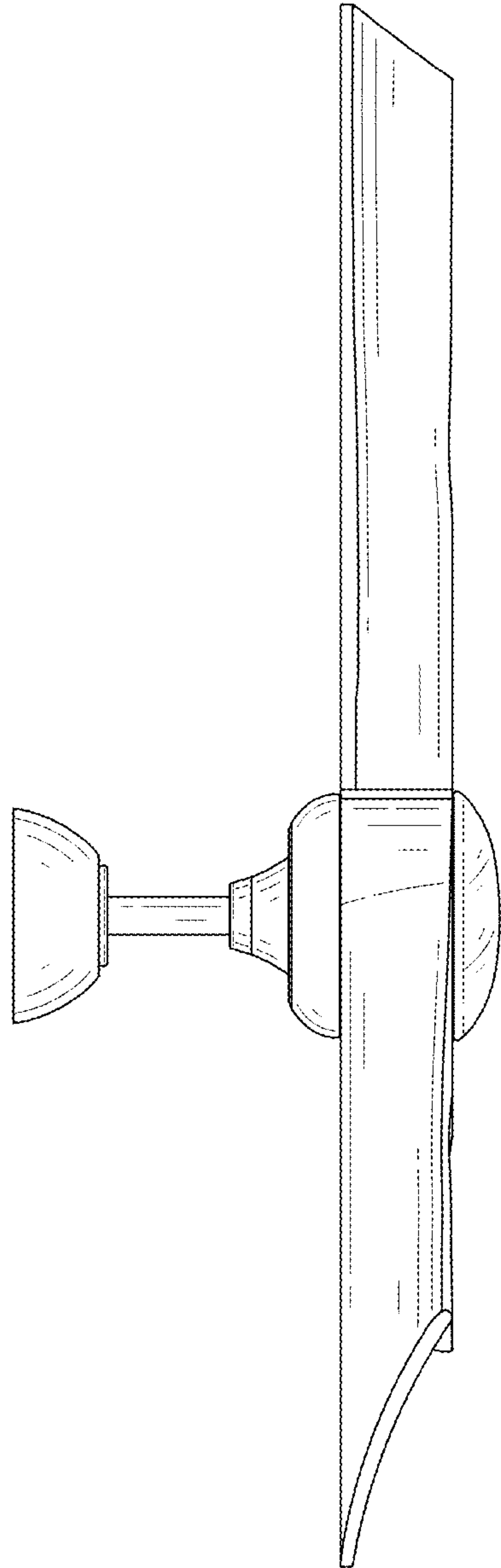


FIG. 6

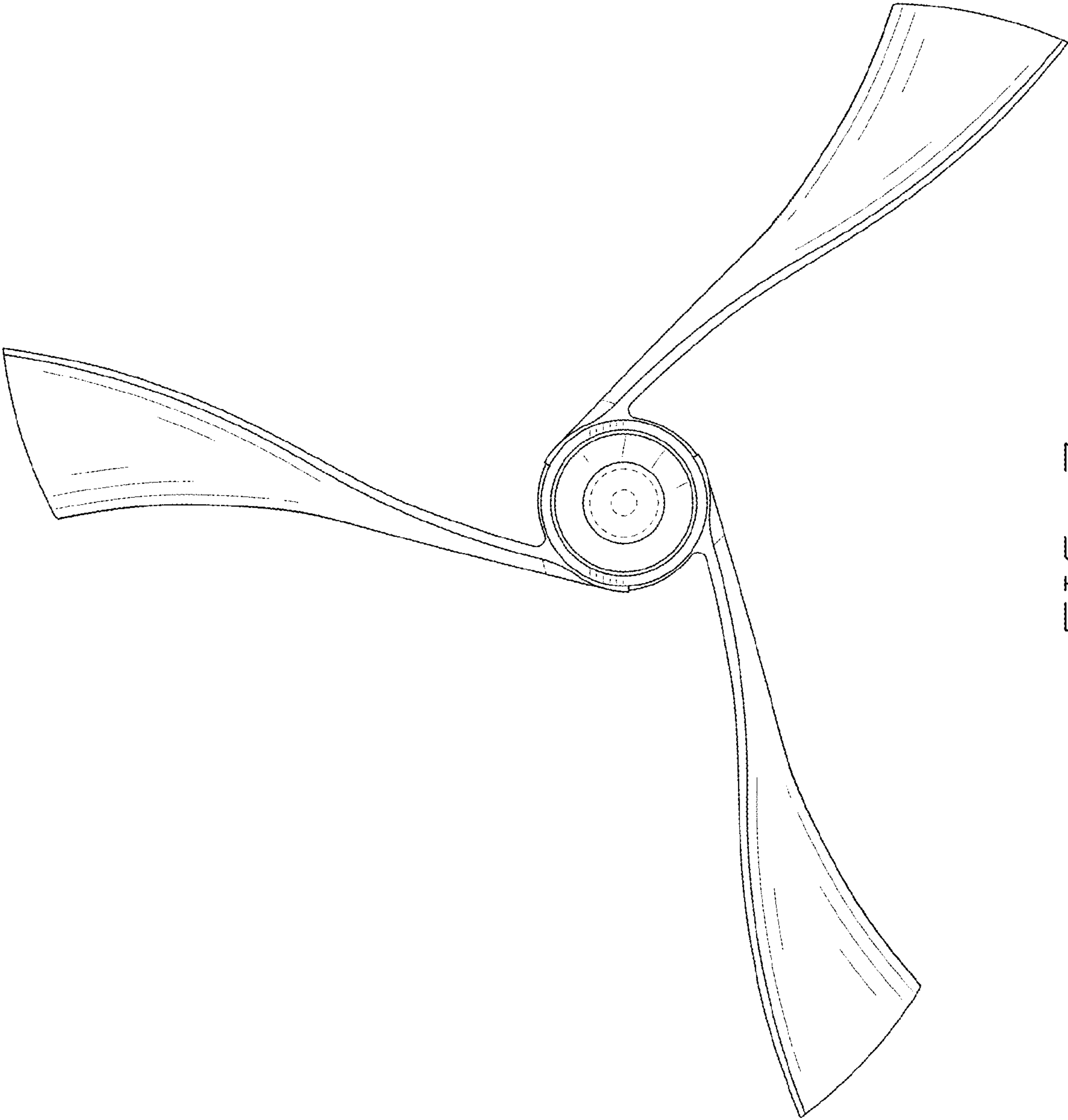


FIG. 7

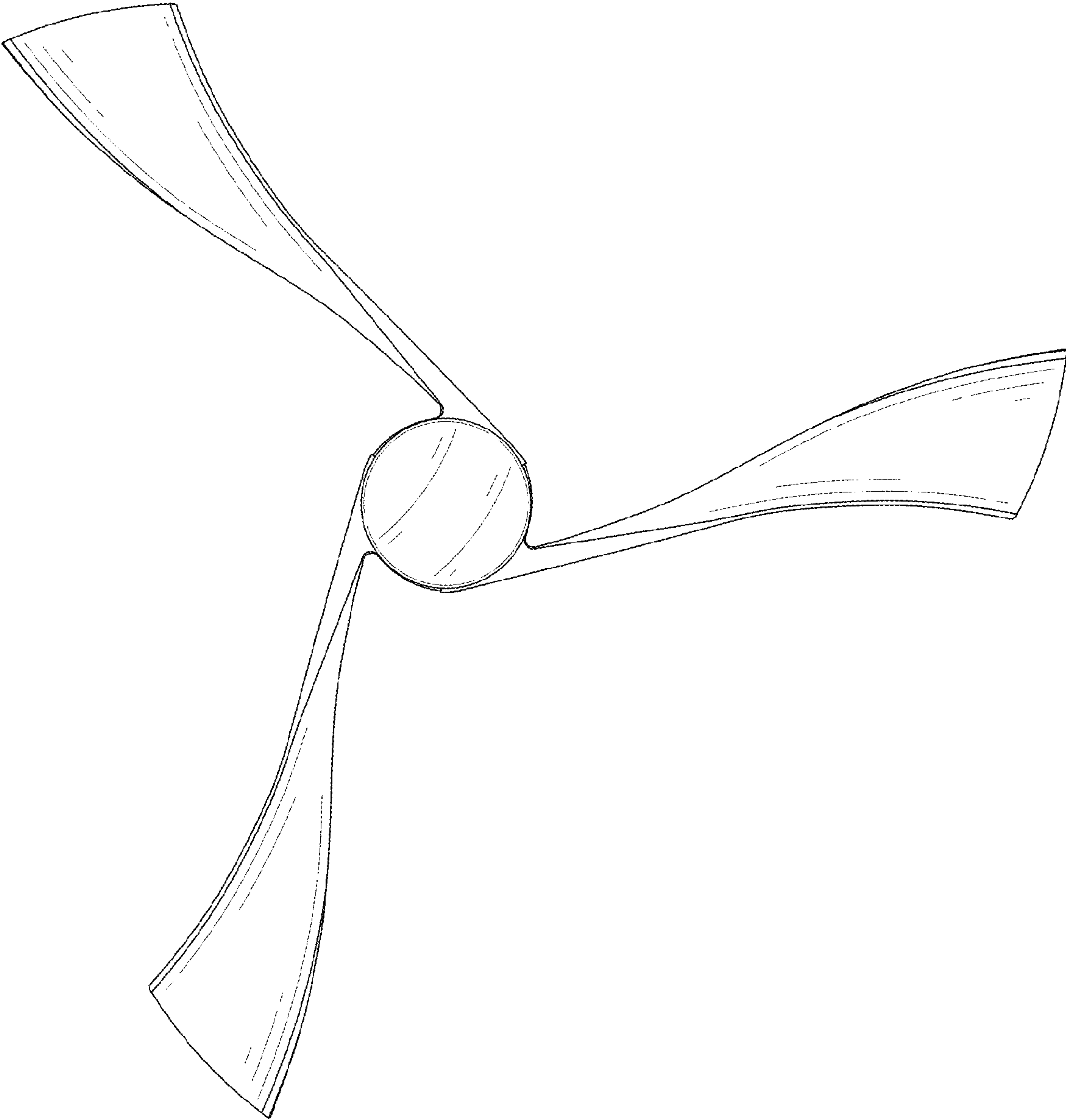


FIG. 8