



US00D981546S

(12) **United States Design Patent**  
**Bloemendaal et al.**

(10) **Patent No.:** **US D981,546 S**  
(45) **Date of Patent:** **\*\* Mar. 21, 2023**

(54) **FILTER FOR A FLOOR CLEANER**  
(71) Applicant: **BISSELL Inc.**, Grand Rapids, MI (US)  
(72) Inventors: **Colin J. Bloemendaal**, Grand Rapids, MI (US); **Tom Minh Nguyen**, Grand Rapids, MI (US)  
(73) Assignee: **BISSELL Inc.**, Grand Rapids, MI (US)  
(\*\*) Term: **15 Years**

8,021,455 B2 \* 9/2011 Adamek ..... F02M 35/024  
55/497  
D655,376 S \* 3/2012 Salvador ..... D23/209  
D672,928 S \* 12/2012 Swett ..... D32/30  
D723,846 S \* 3/2015 Healy ..... D6/692.4  
D747,904 S \* 1/2016 Haynes ..... D6/692  
D754,315 S \* 4/2016 Morin ..... D23/365  
D778,419 S \* 2/2017 Poindexter ..... D23/365  
D792,119 S \* 7/2017 Beckman ..... D6/352  
D809,115 S \* 1/2018 Morin ..... D23/365  
D828,902 S \* 9/2018 Kent ..... D23/206  
D845,047 S \* 4/2019 Neri ..... D6/692.6

(Continued)

(21) Appl. No.: **29/780,678**  
(22) Filed: **Apr. 26, 2021**  
(51) **LOC (14) Cl.** ..... **23-04**  
(52) **U.S. Cl.**  
USPC ..... **D23/365**  
(58) **Field of Classification Search**  
USPC ..... D32/1, 5, 6, 8, 10, 25, 28, 29, 29.1, 21,  
D32/30; D23/364; D15/5  
CPC ..... D06F 39/045; D06F 39/022; D06F 33/02;  
D06F 35/006; D06F 25/00; D06F 39/12;  
D06F 39/14; D06F 29/005; D06F  
2204/065; D06P 29/00; F02M 35/04;  
F02M 35/10; F02M 35/024; A47L  
15/4418; B01D 46/0002; B01D 46/10;  
B60L 15/2009  
See application file for complete search history.

**OTHER PUBLICATIONS**

Bissell Crosswave Replacement Vacuum Filter, 1866, Aug. 8, 2016, amazon.ca, Dec. 23, 2022, URL: <https://www.amazon.ca/Bissell-1866-Replacement-Vacuum-Filter/dp/B01HID4YYY/> (Year: 2016).\*

*Primary Examiner* — Keith J Wilson  
(74) *Attorney, Agent, or Firm* — Warner Norcross + Judd LLP

(57) **CLAIM**

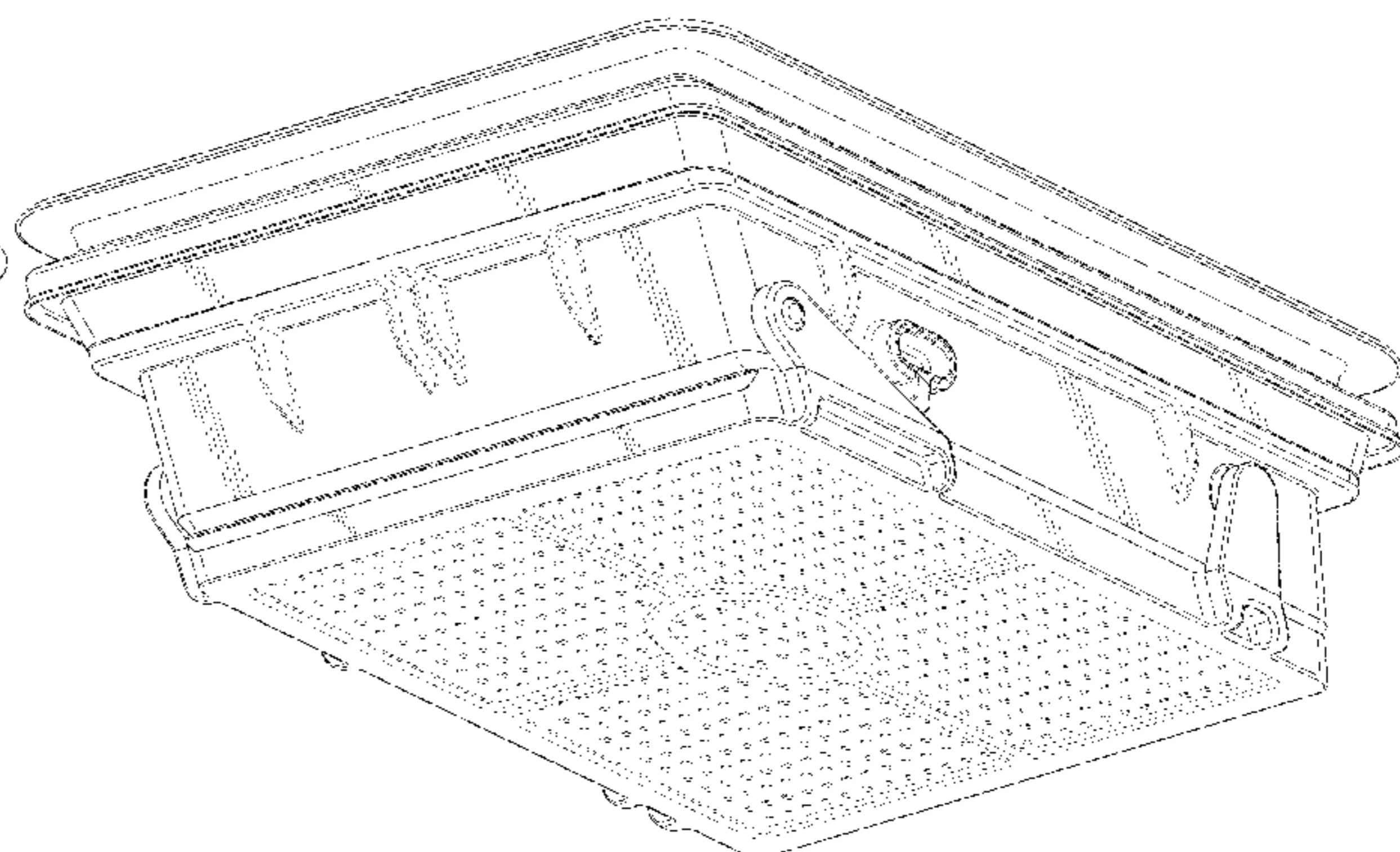
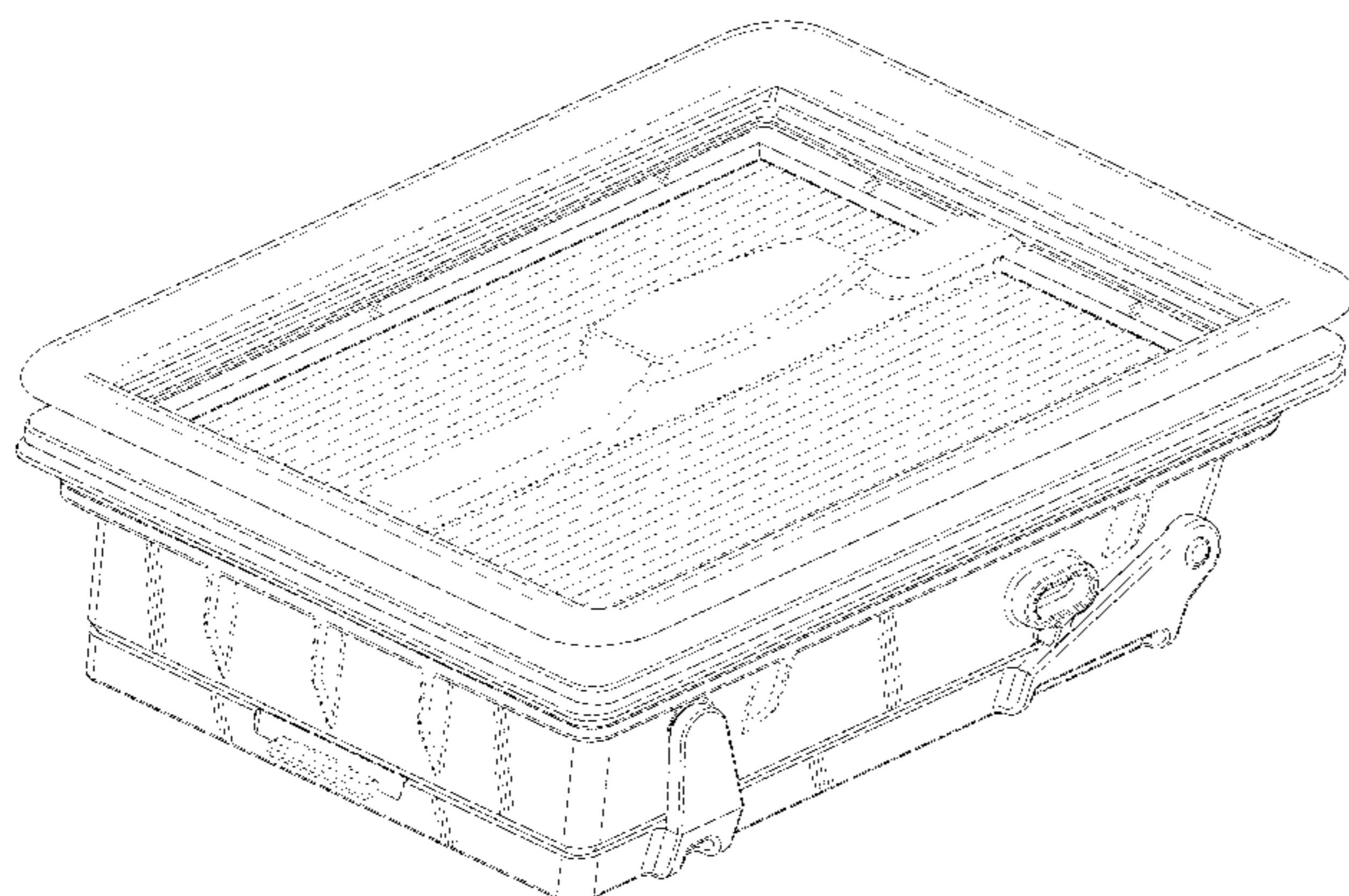
The ornamental design for a filter for a floor cleaner, as shown and described.

**DESCRIPTION**

FIG. 1 is a top perspective view of a filter for a floor cleaner showing our new design;  
FIG. 2 is a bottom perspective view thereof;  
FIG. 3 is a front view thereof;  
FIG. 4 is a rear view thereof;  
FIG. 5 is a left side view thereof;  
FIG. 6 is a right side view thereof;  
FIG. 7 is a top view thereof; and,  
FIG. 8 is a bottom view thereof.  
The details of the filter for a floor cleaner shown in broken lines form no part of the claimed design.

**1 Claim, 6 Drawing Sheets**

(56) **References Cited**  
U.S. PATENT DOCUMENTS  
5,620,505 A \* 4/1997 Koch ..... B01D 46/0036  
55/497  
D383,881 S \* 9/1997 Gudmundsson ..... D32/30  
D425,270 S \* 5/2000 Zahuranec ..... D32/30  
D443,740 S \* 6/2001 Stratford ..... D32/30  
D445,974 S \* 7/2001 Stratford ..... D32/30  
D472,683 S \* 4/2003 Stratford ..... D32/31  
D523,518 S \* 6/2006 Moldenhauer ..... D23/206  
D606,337 S \* 12/2009 Lee ..... D6/349  
7,900,316 B2 \* 3/2011 Fester ..... B01D 46/0005  
55/504



(56)

## References Cited

## U.S. PATENT DOCUMENTS

D849,209 S \* 5/2019 Sapara, Jr. .... D23/207  
D862,017 S \* 10/2019 Dou ..... D32/30  
D868,206 S \* 11/2019 Carrière ..... D23/209  
D876,864 S \* 3/2020 He ..... D6/692.6  
D886,942 S \* 6/2020 Nguyen-DeMary ..... D23/209  
D894,360 S \* 8/2020 Perez ..... D23/365  
D904,559 S \* 12/2020 Moza ..... D23/209  
D912,110 S \* 3/2021 Cornish ..... D23/207  
D915,804 S \* 4/2021 van Thiel ..... D6/692.6  
D915,805 S \* 4/2021 van Thiel ..... D6/692.6  
D923,165 S \* 6/2021 Guo ..... D23/365  
D926,506 S \* 8/2021 Li ..... D6/692  
D938,567 S \* 12/2021 Du ..... D23/365  
D939,681 S \* 12/2021 Zheng ..... D23/365  
D949,284 S \* 4/2022 Xu ..... D23/206  
D958,930 S \* 7/2022 Mjelde ..... D23/209  
D960,287 S \* 8/2022 Kremerman ..... D23/207  
D967,382 S \* 10/2022 Campbell ..... D23/365  
D972,698 S \* 12/2022 Gregerson ..... D23/365  
2006/0168925 A1 \* 8/2006 Whittemore ..... F01D 5/12  
55/490  
2018/0161713 A1 \* 6/2018 Cho ..... B01D 46/0005  
2020/0164298 A1 \* 5/2020 Drabek ..... H02K 9/26  
2020/0179843 A1 \* 6/2020 Amaral ..... B01D 29/13  
2020/0406169 A1 \* 12/2020 Betcher ..... B01D 27/06  
2021/0046406 A1 \* 2/2021 Oprisch ..... B01D 35/153  
2021/0220763 A1 \* 7/2021 Chen ..... B01D 29/21  
2021/0332779 A1 \* 10/2021 Jedlinski ..... F02M 37/32  
2022/0193581 A1 \* 6/2022 Jedlinski ..... B01D 35/005  
2022/0316409 A1 \* 10/2022 Bielen ..... F02M 37/36

\* cited by examiner

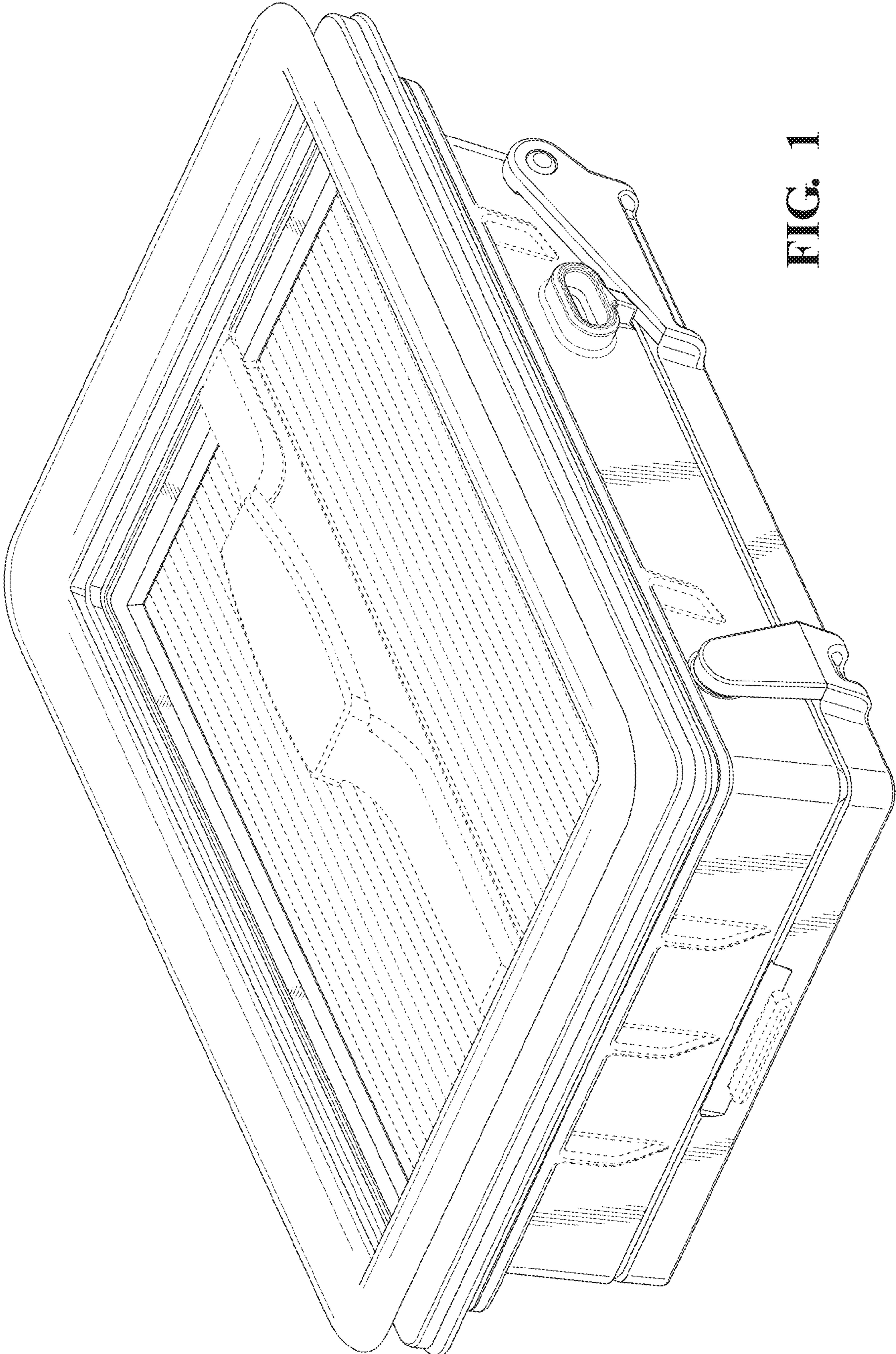


FIG. 1

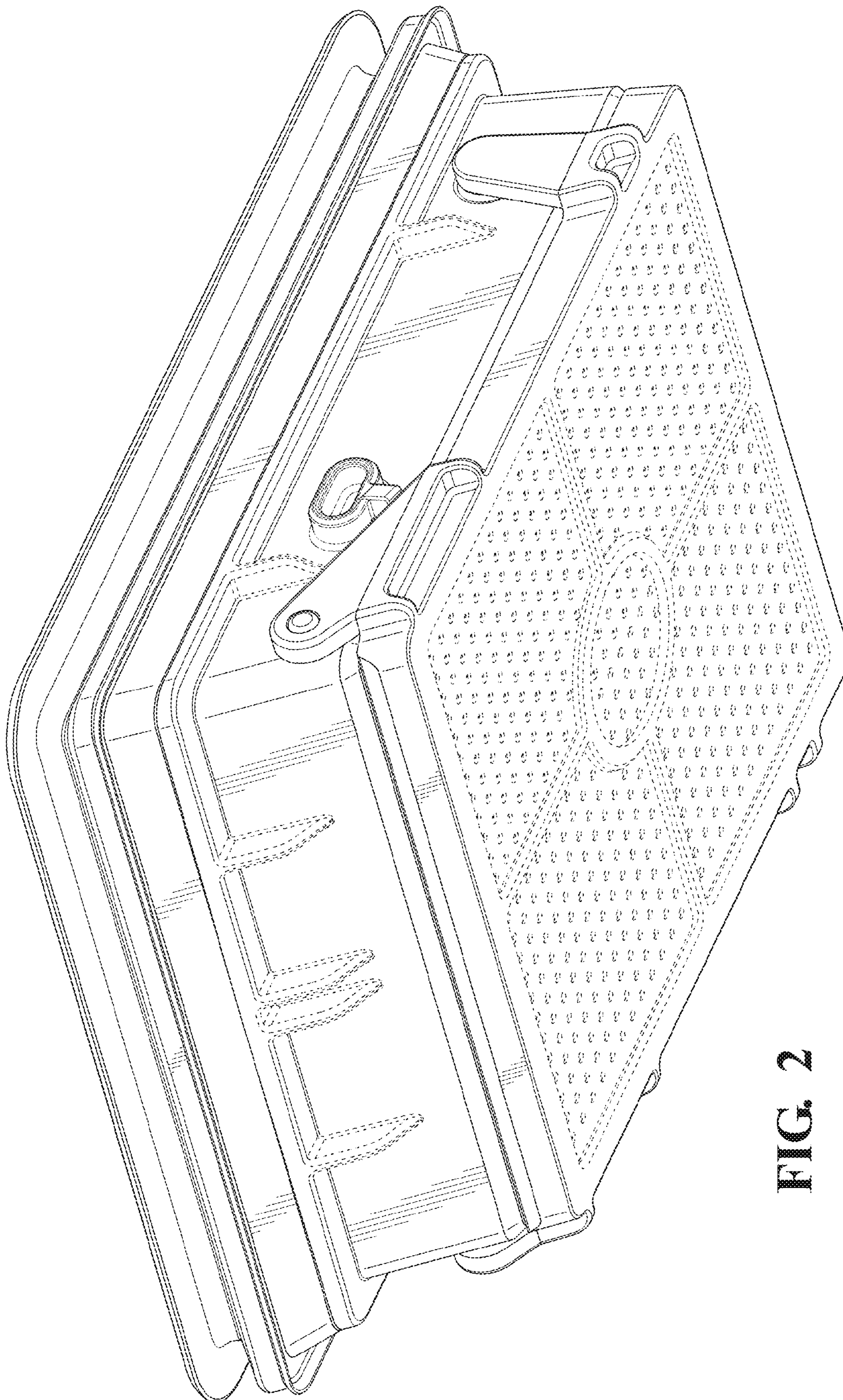
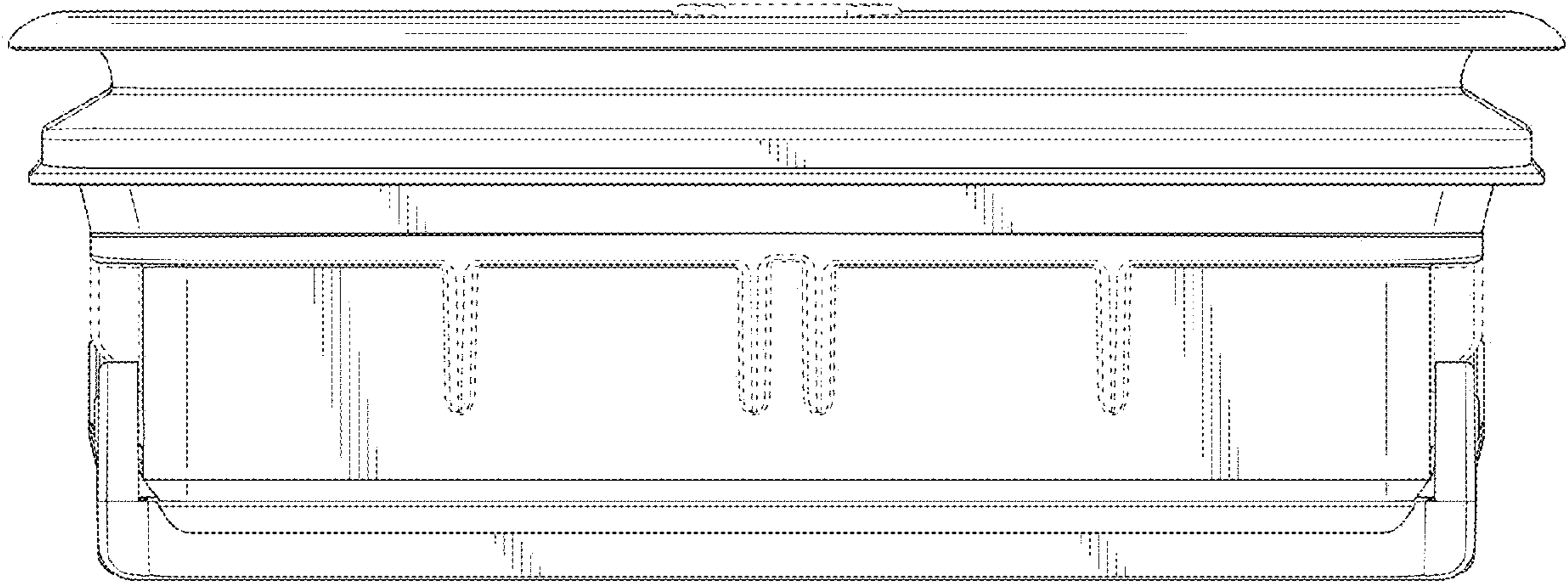
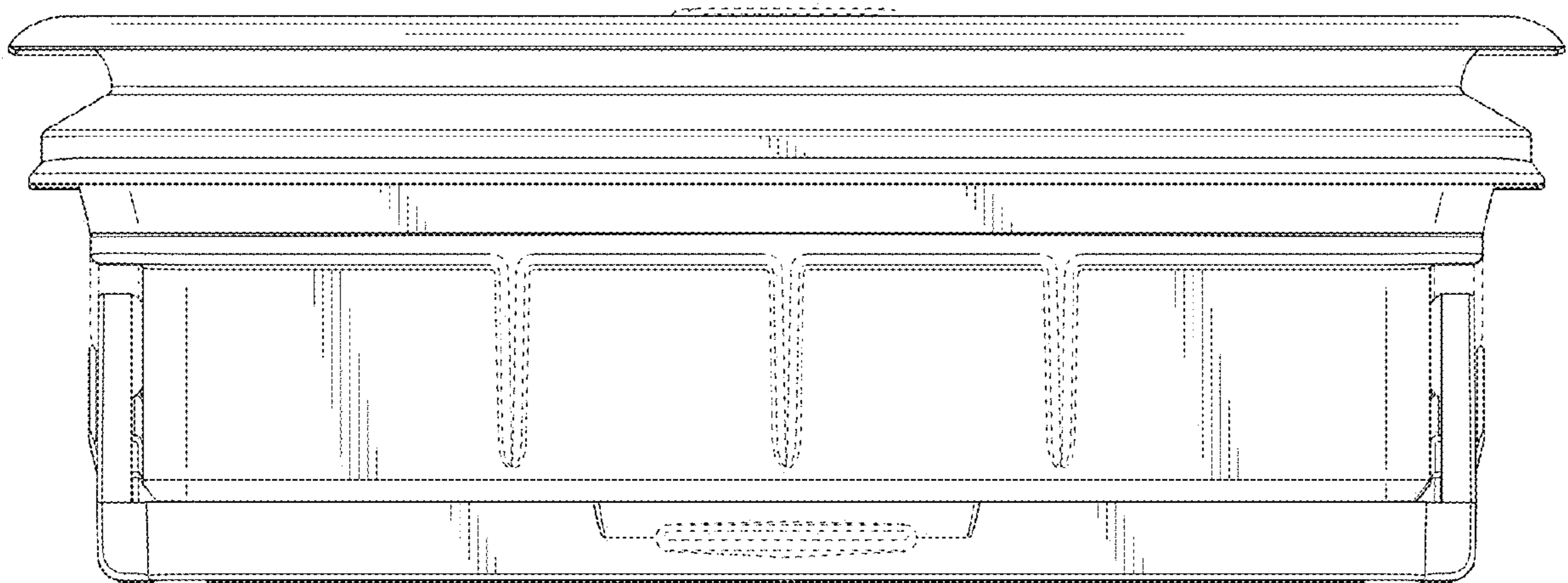


FIG. 2



**FIG. 3**



**FIG. 4**

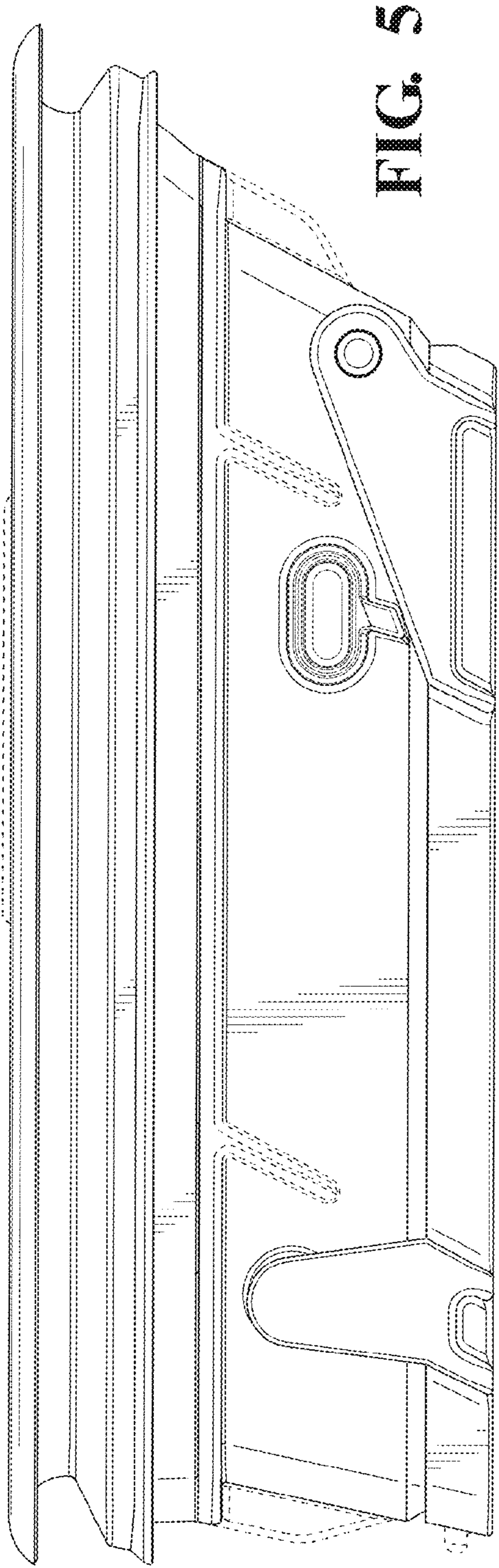


FIG. 5

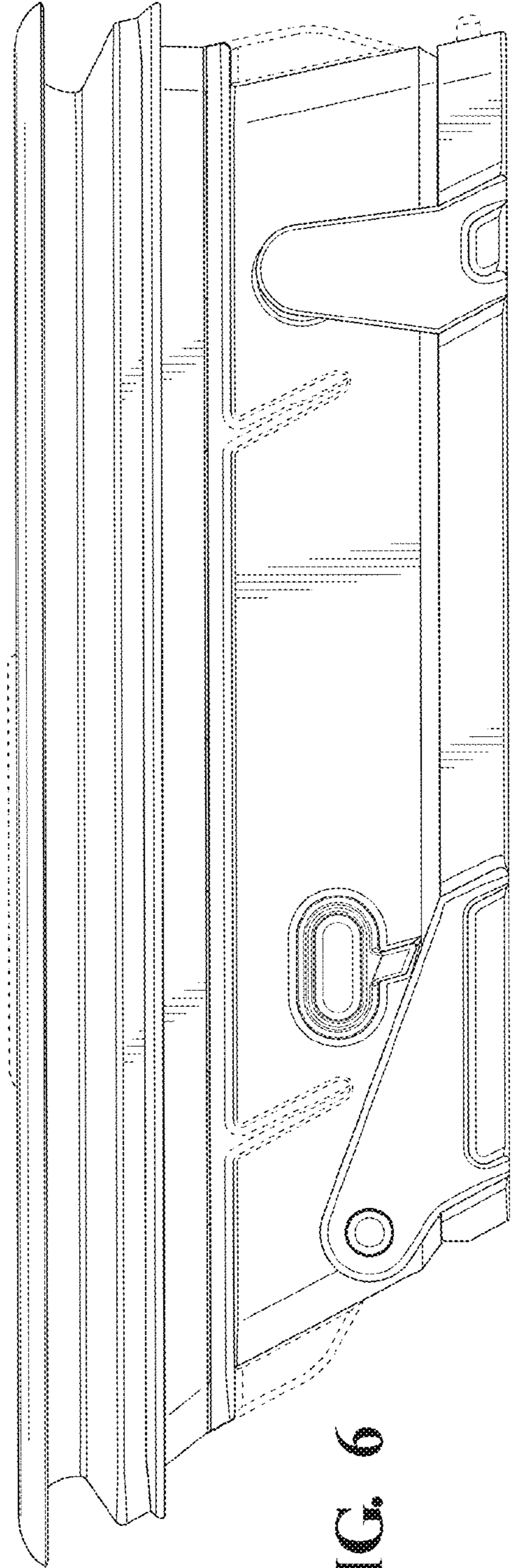


FIG. 6

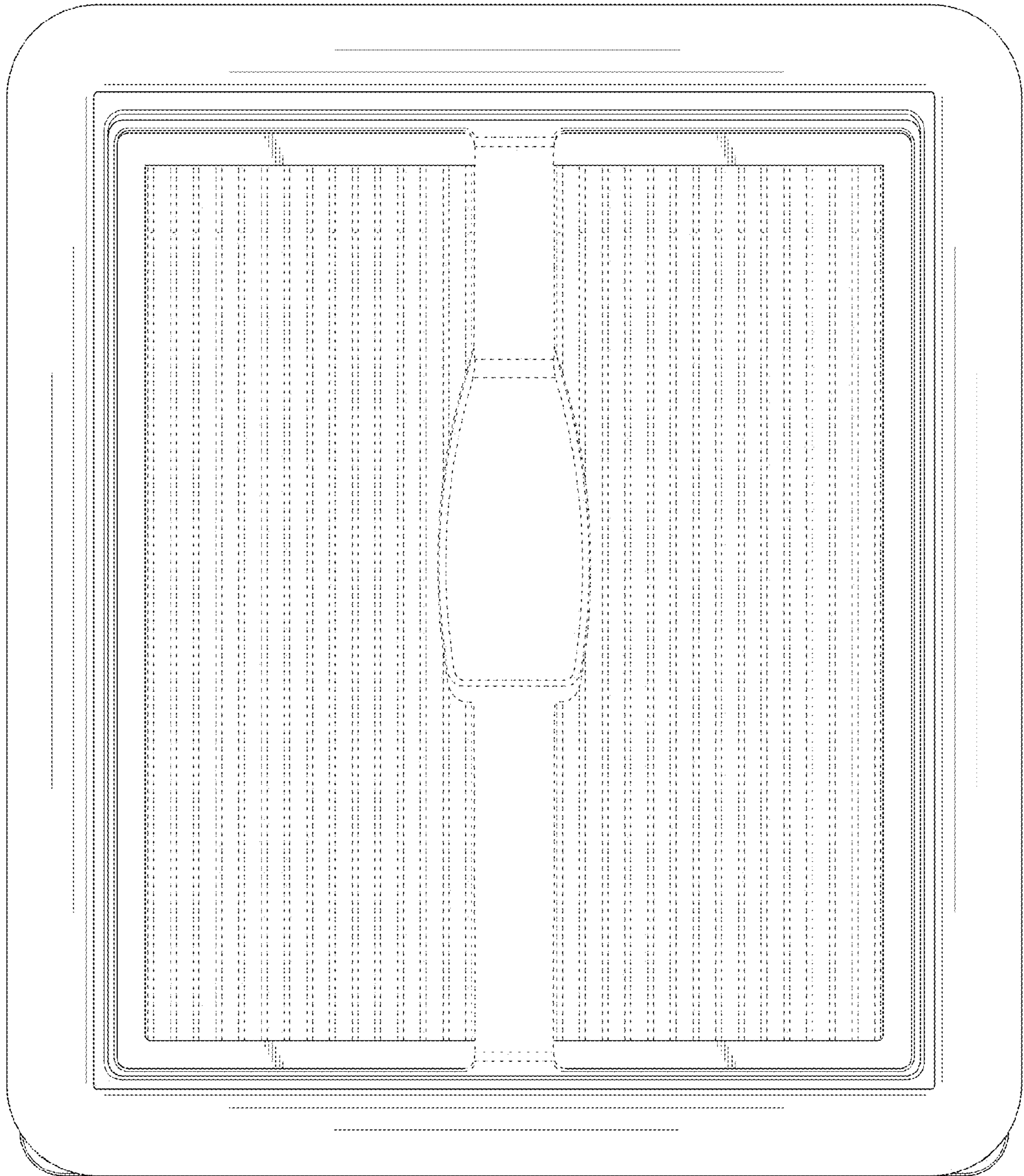


FIG. 7

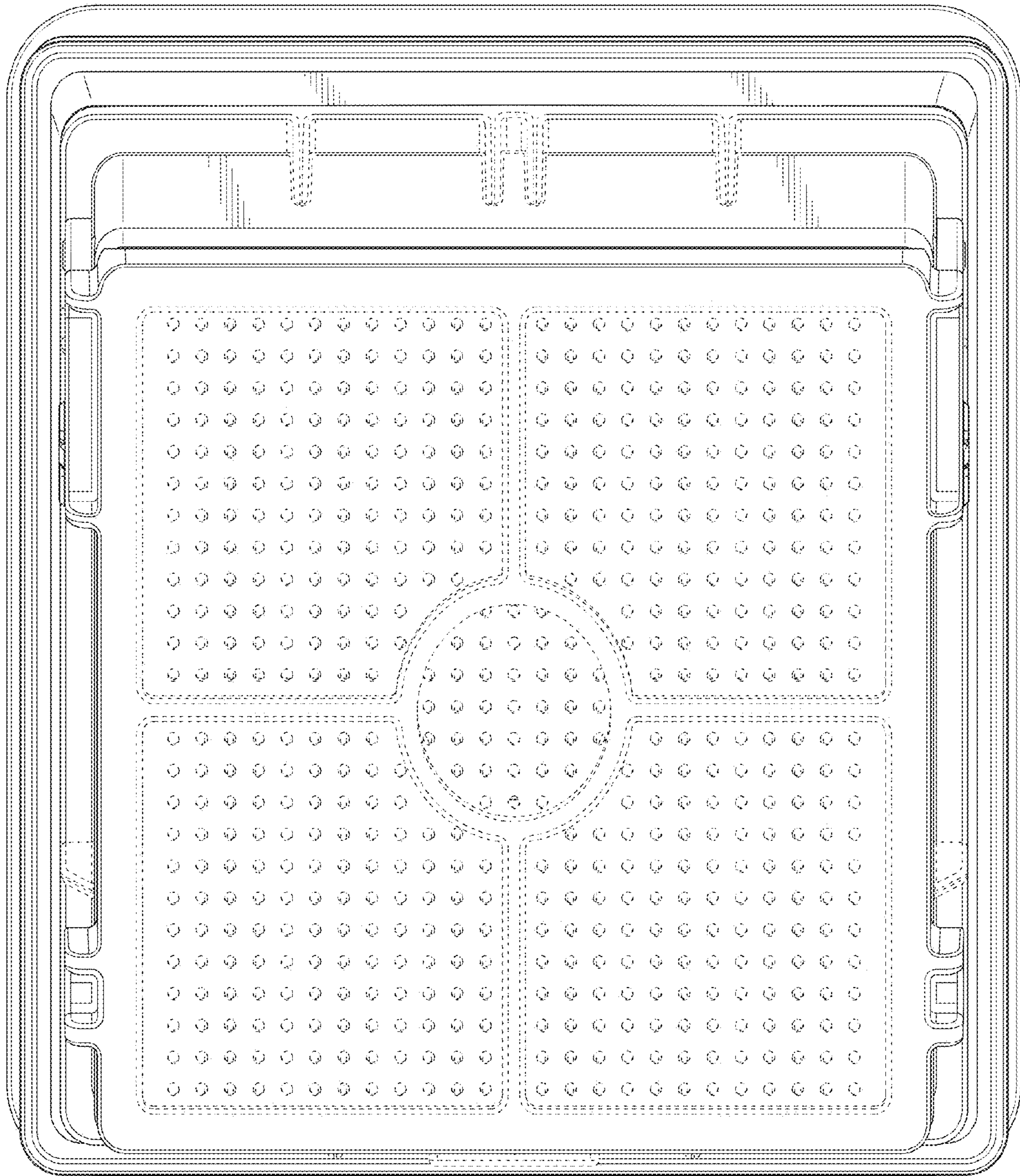


FIG. 8