



US00D981541S

(12) **United States Design Patent**  
**Zeng**

(10) **Patent No.:** **US D981,541 S**  
(45) **Date of Patent:** **\*\* Mar. 21, 2023**

- (54) **WET WIPE WARMER**
- (71) Applicant: **Rensong Zeng**, Shenzhen (CN)
- (72) Inventor: **Rensong Zeng**, Shenzhen (CN)
- (\*\*) Term: **15 Years**
- (21) Appl. No.: **29/769,443**
- (22) Filed: **Feb. 5, 2021**
- (51) **LOC (14) Cl.** ..... **03-01**
- (52) **U.S. Cl.**  
USPC ..... **D23/332; D6/518**
- (58) **Field of Classification Search**  
USPC .... D28/9, 10, 35, 44, 44.1, 54.1, 56, 58, 61,  
D28/99; D24/107, 188, 200, 201, 212,  
D24/213; D23/314, 317, 336, 342, 323,  
D23/332; D21/525; D7/354, 355;  
D9/432; D32/58; D6/518  
CPC ..... A61H 2015/0014; A61H 35/006; A61H  
2205/12; A45D 29/00; A45D 29/18;  
A45D 2200/205; A45D 26/0014; F24H  
9/02; A47K 10/42; A47K 10/421; A47K  
2010/3293  
See application file for complete search history.

- D880,707 S \* 4/2020 Gu ..... D24/200
  - D887,198 S \* 6/2020 Zhao ..... D7/354
  - D927,661 S \* 8/2021 Ediger ..... D23/335
  - D933,889 S \* 10/2021 Li ..... D23/366
- (Continued)

**OTHER PUBLICATIONS**

Novwang Wipes Dispenser . . . [online]; [review published to the internet on Sep. 22, 2021]; [retrieved from the internet on Oct. 4, 2022]; URL:https://www.amazon.com/NOVWANG-Dispenser-Capacity-Container-Dustproof/dp/B09GF3GHKV/(5 pages). (Year: 2021).\*

(Continued)

*Primary Examiner* — Jasmine Mlinarcik  
*Assistant Examiner* — Victoria A. Rielly  
(74) *Attorney, Agent, or Firm* — Andrew C. Cheng

(57) **CLAIM**

The ornamental design for a wet wipe warmer, as shown and described.

**DESCRIPTION**

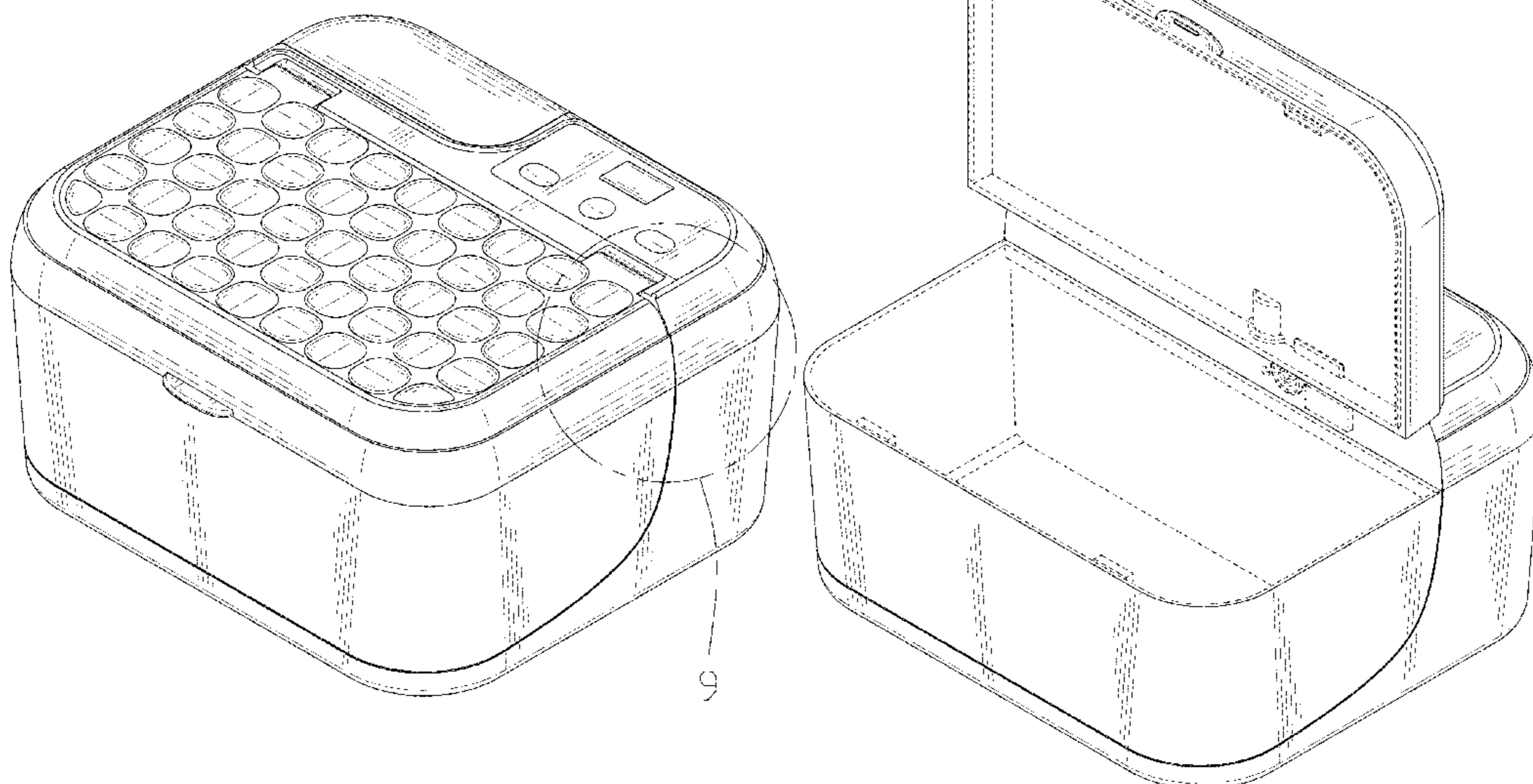
FIG. 1 is a first perspective view of a wet wipe warmer showing my new design;  
FIG. 2 is a second perspective view thereof;  
FIG. 3 is a front elevational view thereof;  
FIG. 4 is a rear elevational view thereof;  
FIG. 5 is a left elevational view thereof;  
FIG. 6 is a right elevational view thereof;  
FIG. 7 is a top plan view thereof;  
FIG. 8 is a bottom plan view thereof;  
FIG. 9 is an enlarged view of a portion labelled by a numeral 9 of FIG. 1; and,  
FIG. 10 is a perspective view of the wet wipe warmer in a state of use when the cover is open.  
The broken lines and adjacent unshaded areas in the drawings illustrate portions of the wet wipe warmer which form no part of the claimed design.

**1 Claim, 10 Drawing Sheets**

(56) **References Cited**

**U.S. PATENT DOCUMENTS**

- D253,517 S \* 11/1979 Grodin ..... D9/432
- D390,645 S \* 2/1998 Hanrahan ..... D23/314
- D471,642 S \* 3/2003 Alden ..... D24/231
- D479,420 S \* 9/2003 White ..... D6/518
- D481,123 S \* 10/2003 Hayamizu ..... D24/138
- D485,461 S \* 1/2004 Sams ..... D6/515
- D766,714 S \* 9/2016 Stiefel ..... D9/432
- D772,514 S \* 11/2016 Wang ..... D32/58
- D805,617 S \* 12/2017 McConnell ..... D23/323
- D805,802 S \* 12/2017 McConnell ..... D6/518
- D838,411 S \* 1/2019 Floyd ..... D28/7
- D853,838 S \* 7/2019 Liu ..... D9/560



(56)

**References Cited**

U.S. PATENT DOCUMENTS

D955,229 S \* 6/2022 Zhou ..... D10/2  
2022/0047053 A1 \* 2/2022 Nicoud ..... A46B 5/0095

OTHER PUBLICATIONS

UBBI Wipes Dispenser . . . [online]; [review published to the internet on Mar. 15, 2016]; [retrieved from the internet on Oct. 4, 2022]; URL: <https://www.amazon.com/gp/product/B00NX5J5O6/> (14 pages). (Year: 2016).\*

Baby Wipe Warmer . . . [online]; [review published to the internet on Mar. 28, 2021]; [retrieved from the internet on Oct. 4, 2022]; URL:<https://www.amazon.com/Dispenser-Chefhandy-Temperature-Capacity-Constant/dp/B09F2C8GZ2/> (5 pages). (Year: 2021).\*

\* cited by examiner

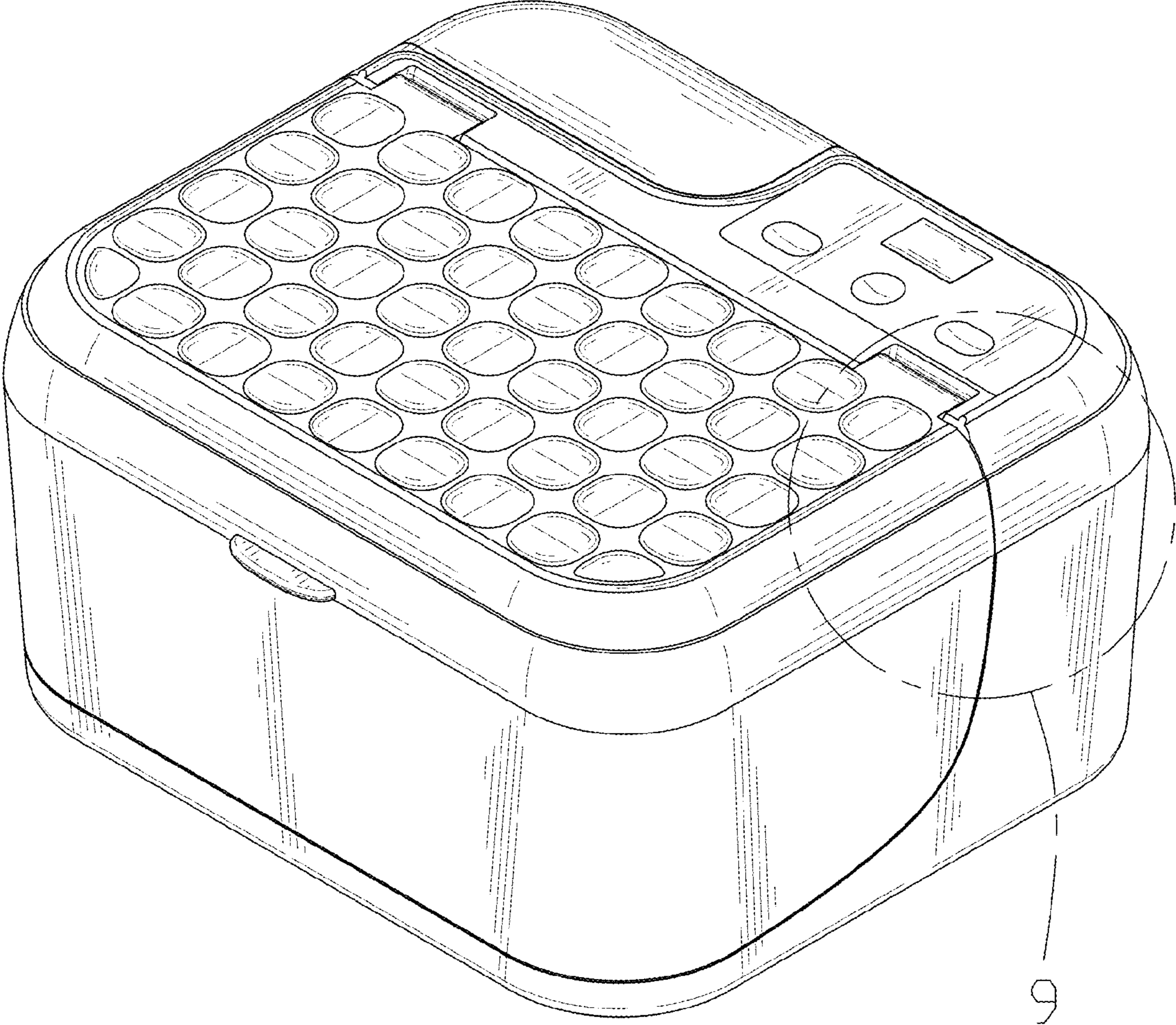


FIG. 1

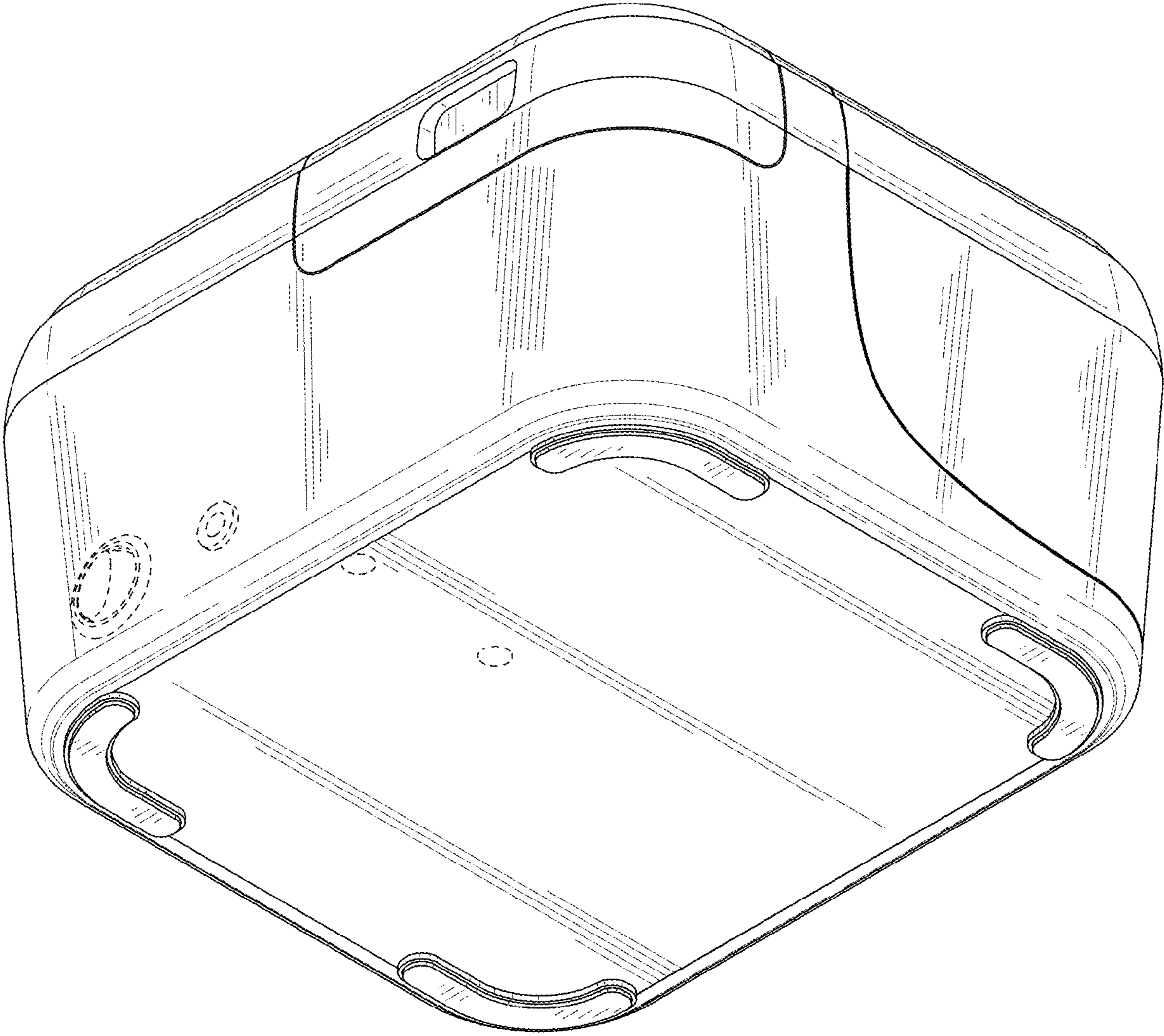


FIG. 2

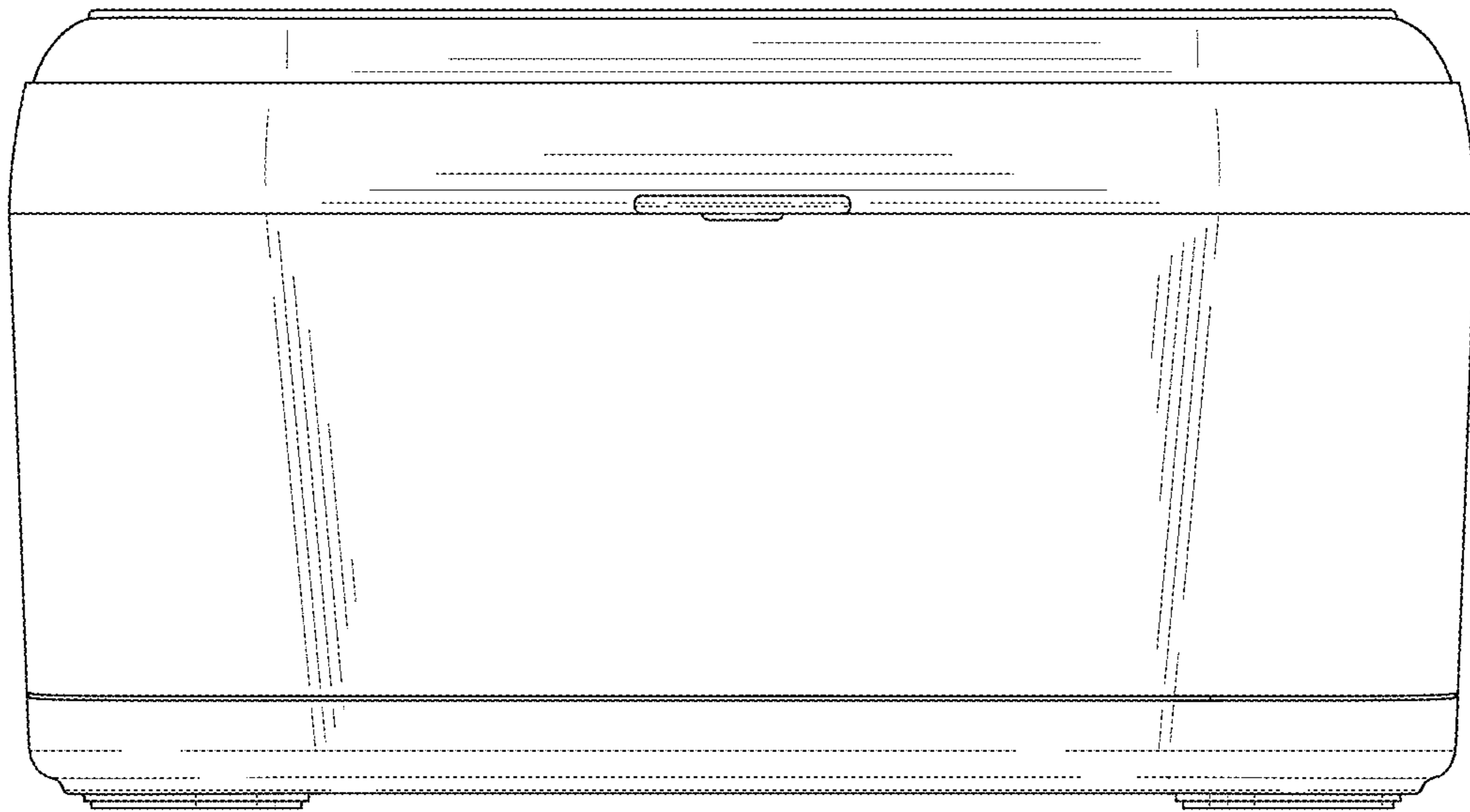


FIG. 3

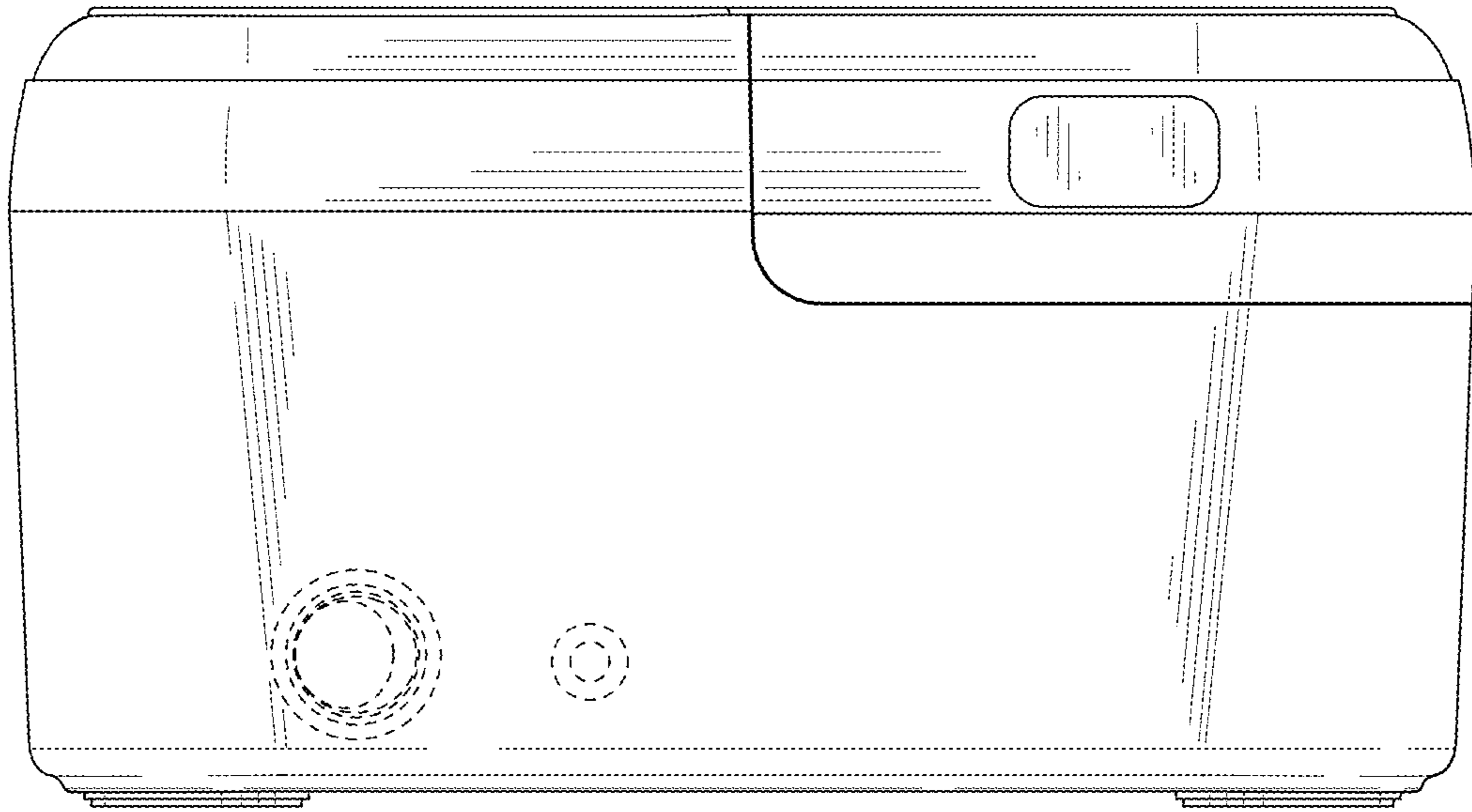


FIG. 4

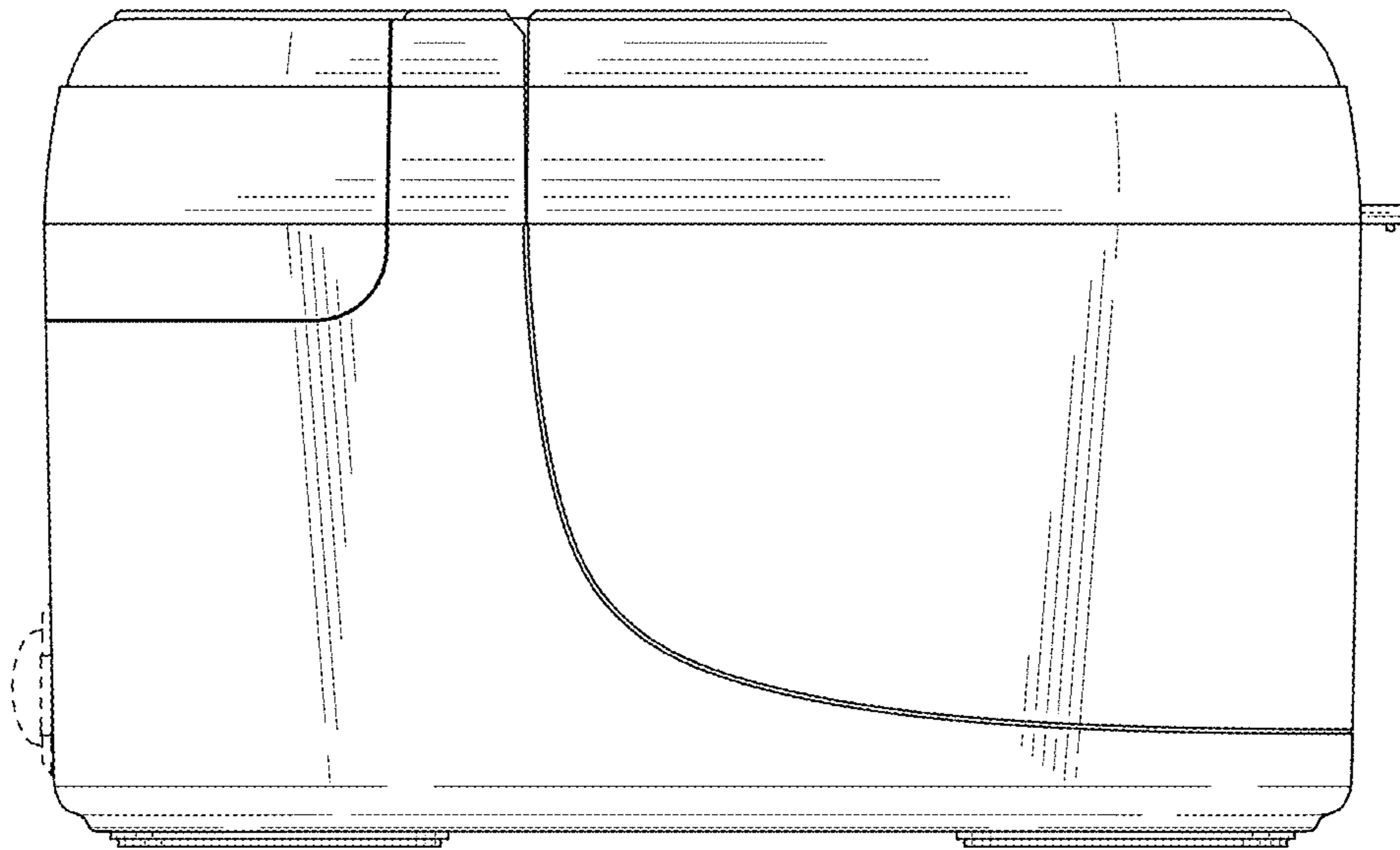


FIG. 5

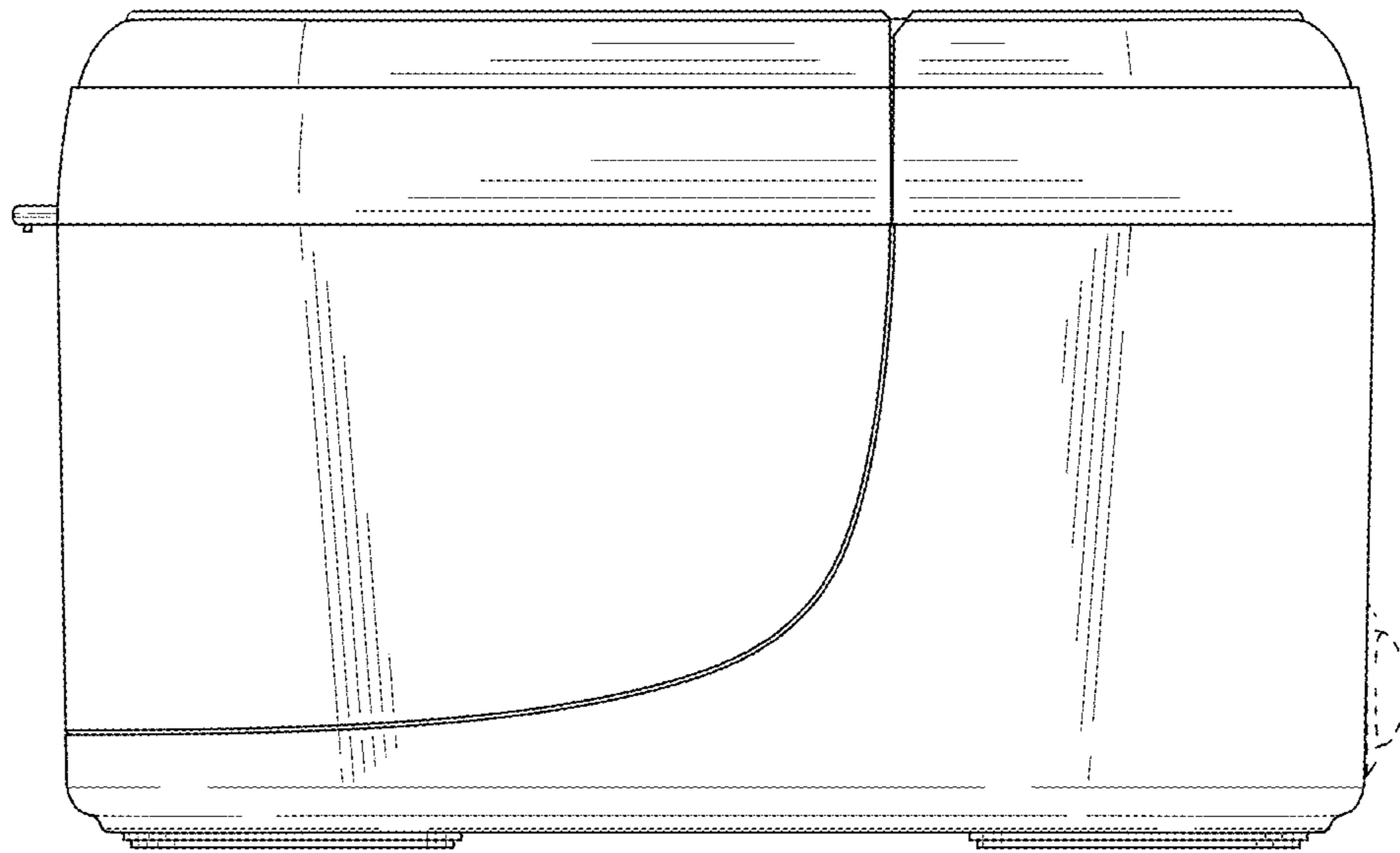


FIG. 6



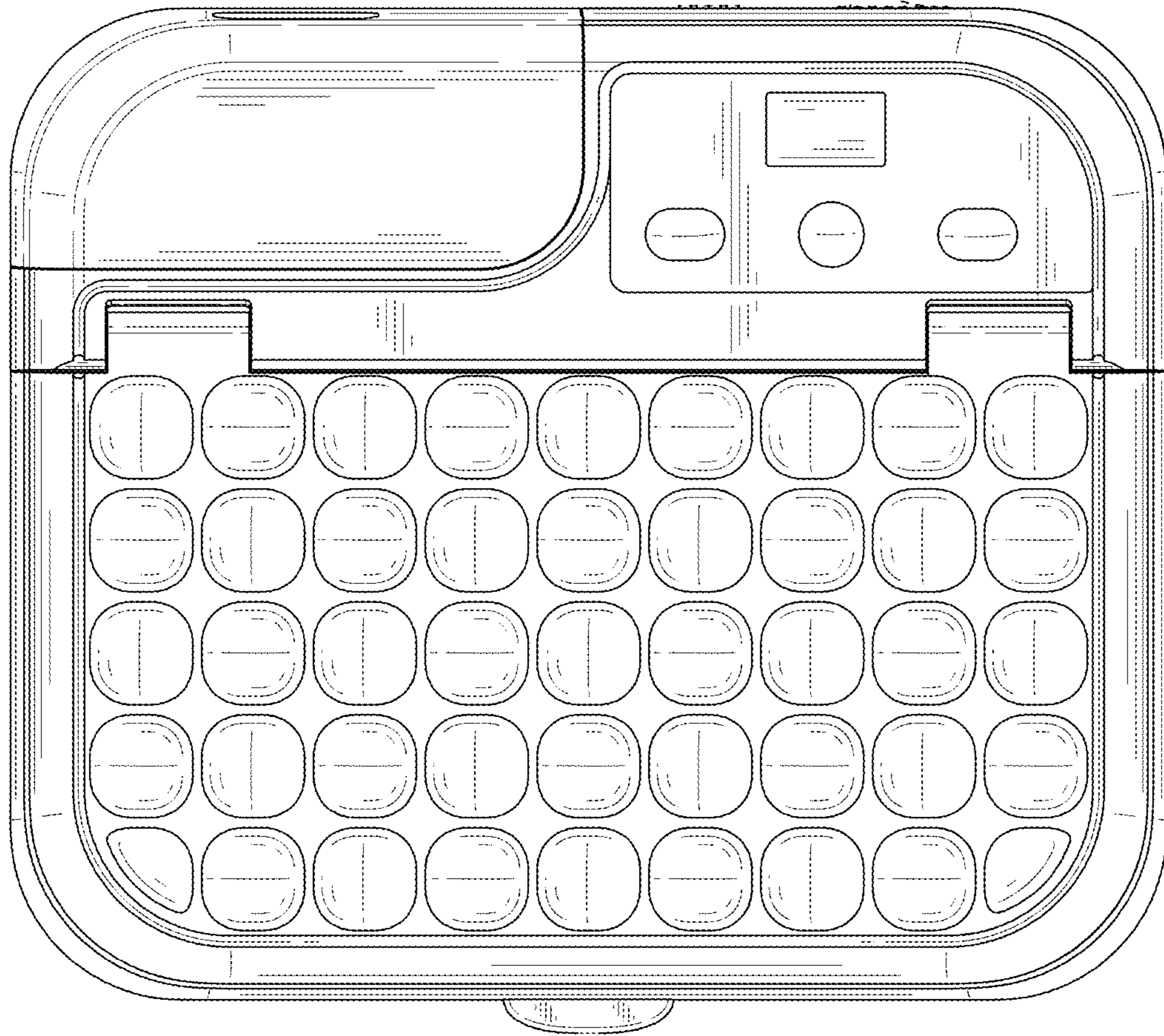


FIG. 7

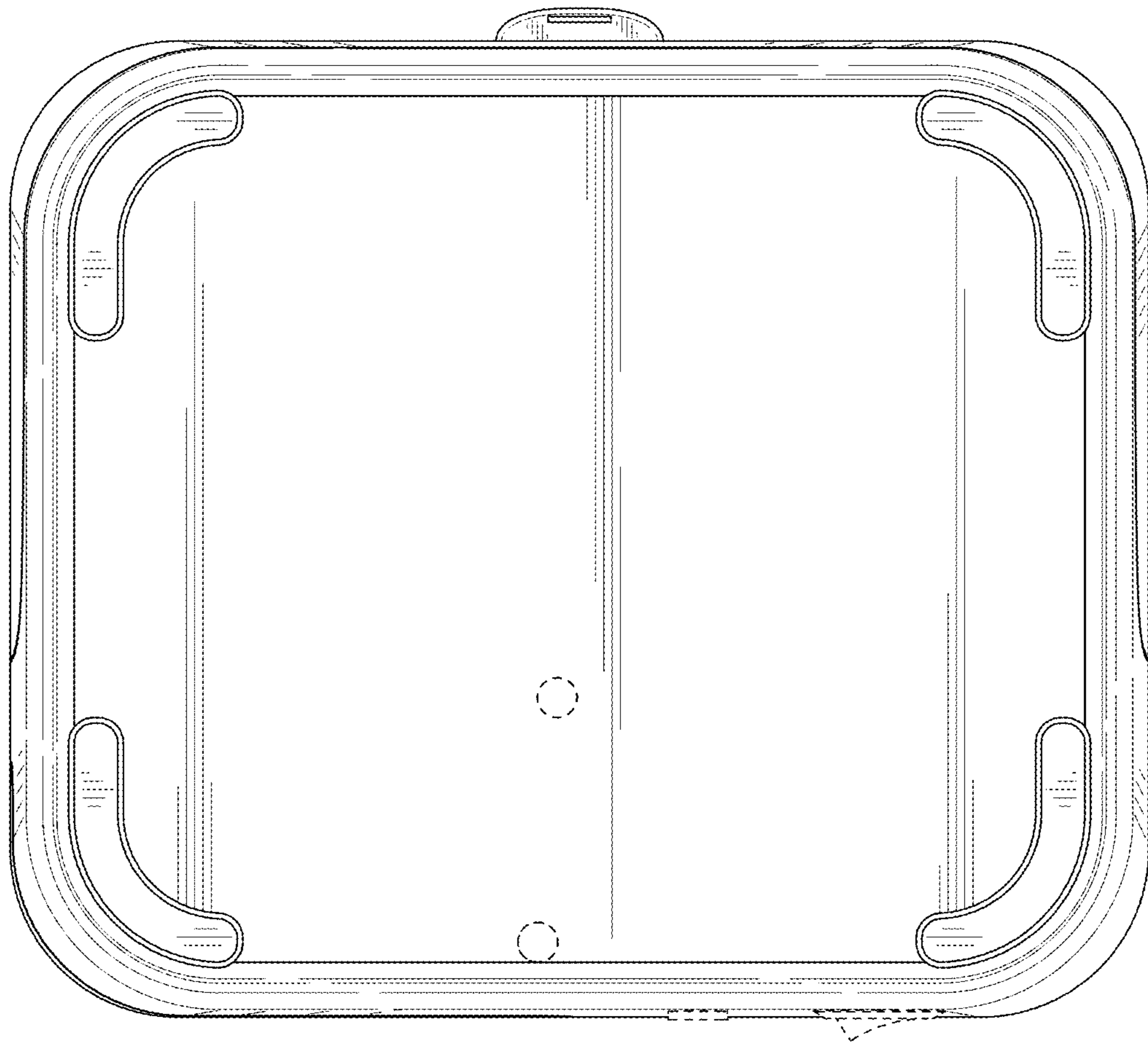


FIG. 8

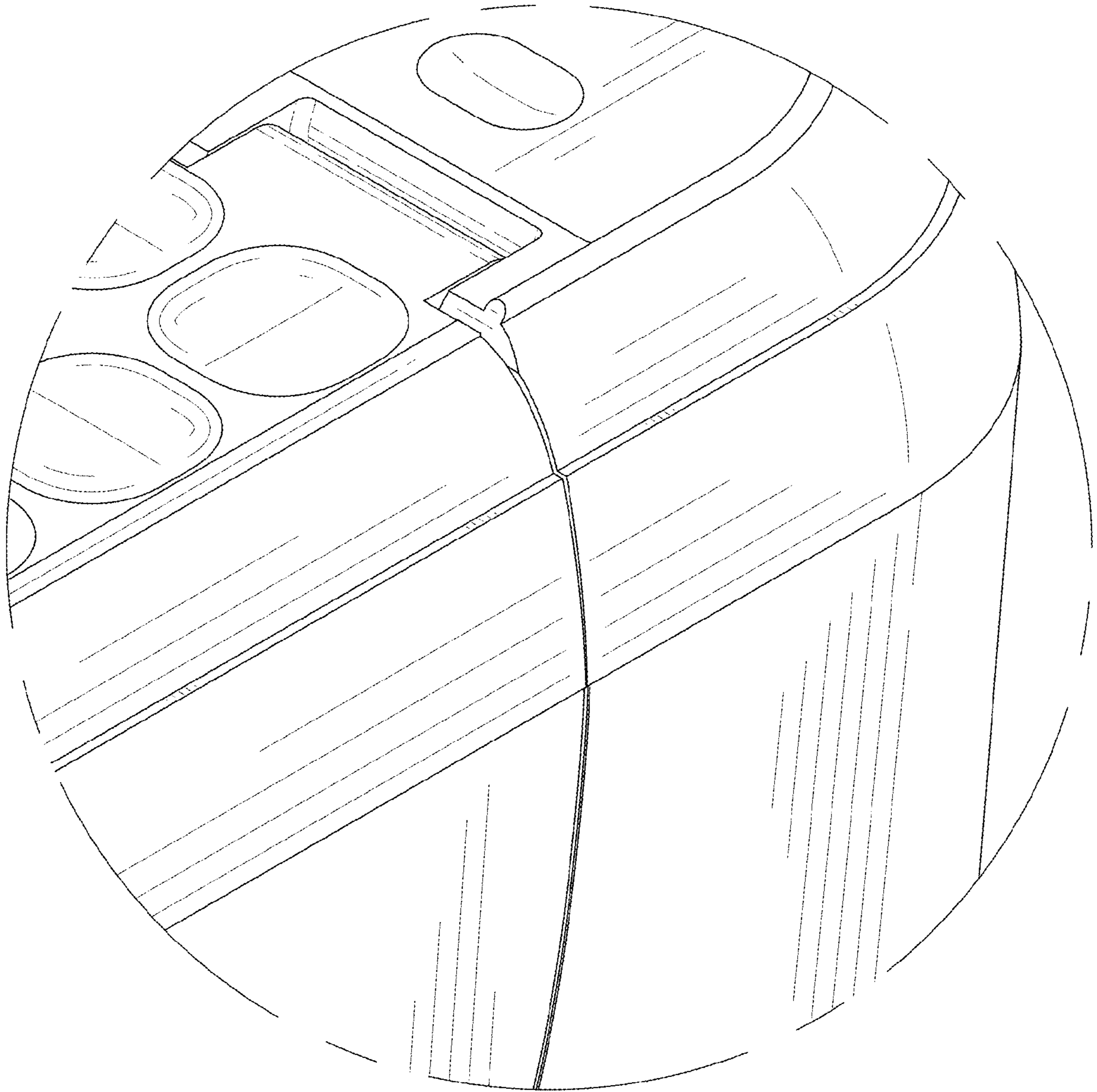


FIG. 9

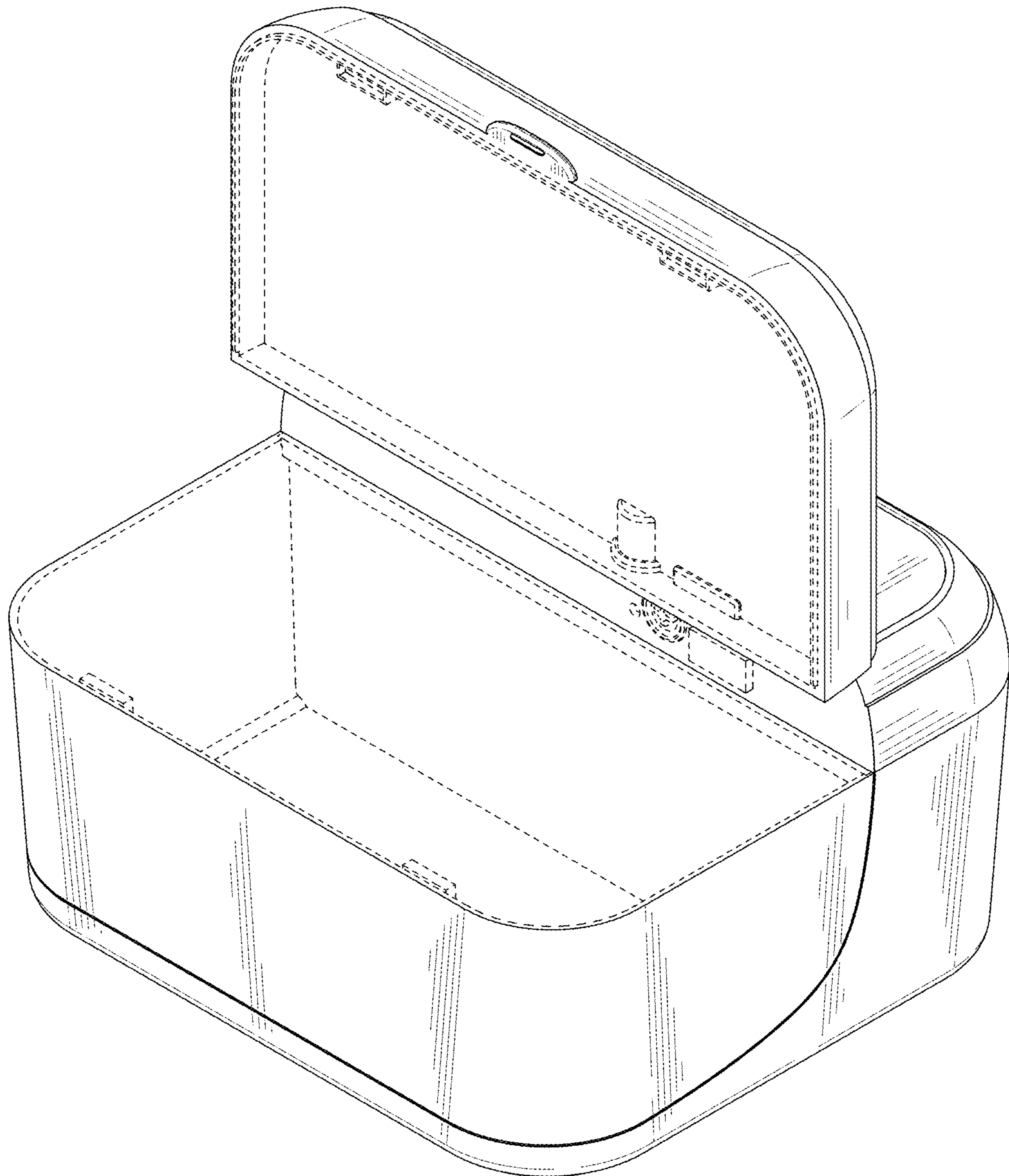


FIG. 10