



US00D981540S

(12) **United States Design Patent**
Ren et al.

(10) **Patent No.:** **US D981,540 S**
(45) **Date of Patent:** **** Mar. 21, 2023**

(54) **TOILET SEAT BIDET ATTACHMENT**

2020/0318334 A1* 10/2020 Gupta E03D 9/08
2020/0318335 A1* 10/2020 Gupta B05B 9/03
2021/0040719 A1* 2/2021 Gupta E03D 9/08

(71) Applicants: **Shisong Ren**, Fujian (CN); **Xiong Yang**, Fujian (CN)

FOREIGN PATENT DOCUMENTS

(72) Inventors: **Shisong Ren**, Fujian (CN); **Xiong Yang**, Fujian (CN)

CN 303855901 * 9/2016

(73) Assignee: **Xiamen Beewill Sanitary Co., Ltd.**, Fujian (CN)

OTHER PUBLICATIONS

(**) Term: **15 Years**

EB310 Slim Bidet Toilet Seat Attachment, announced May 15, 2020[online], [site visited Oct. 12, 2022]. Available from internet, URL: <https://www.amazon.com/Attachment-Non-Electric-JP-Bathroom-Master/dp/B088NJ76L1> (Year: 2020).*

(21) Appl. No.: **29/750,352**

* cited by examiner

(22) Filed: **Sep. 14, 2020**

Primary Examiner — David G Muller
Assistant Examiner — Jamaal Rasheed

(30) **Foreign Application Priority Data**

Aug. 24, 2020 (CN) 202030485974.X

(51) **LOC (14) Cl.** **23-02**

(57) **CLAIM**

(52) **U.S. Cl.**
USPC **D23/311**

The ornamental design for a toilet seat bidet attachment, as shown and described.

(58) **Field of Classification Search**
USPC D23/295, 303, 309-311
CPC B05B 9/03; B05B 15/55; E03D 9/005; E03D 9/08
See application file for complete search history.

DESCRIPTION

(56) **References Cited**

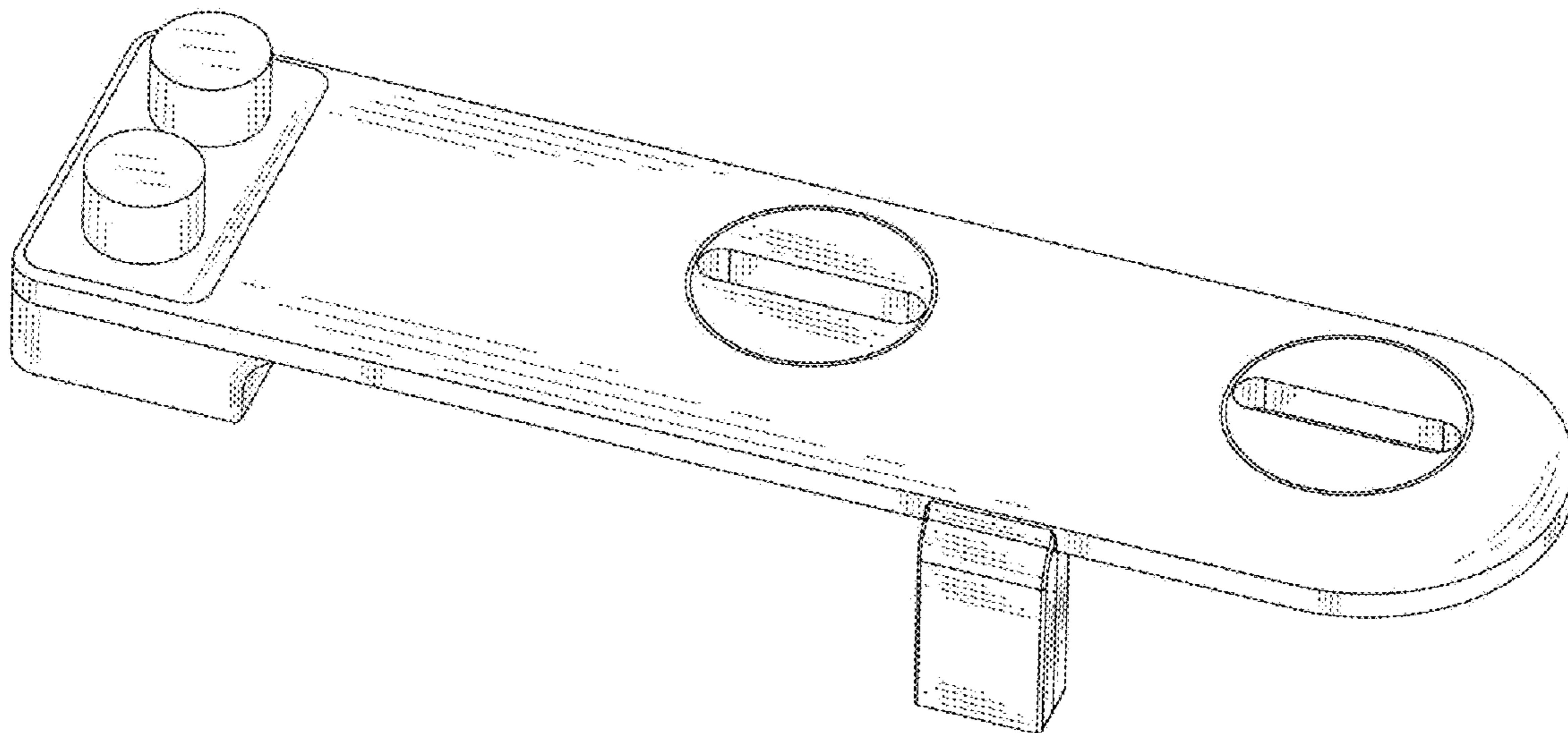
U.S. PATENT DOCUMENTS

4,383,339 A * 5/1983 Miller E03D 9/08
4/443
D714,428 S * 9/2014 Gupta D23/309
D882,053 S * 4/2020 Gupta D23/309
D885,539 S * 5/2020 Yan D23/309
D889,615 S * 7/2020 Jiang D23/309
D890,314 S * 7/2020 Yan D23/309
D897,507 S * 9/2020 Agrawal D23/309
D917,030 S * 4/2021 Yan D23/309
2014/0101838 A1* 4/2014 Gupta B05B 15/16
4/448
2018/0209129 A1* 7/2018 He E03D 9/08

FIG. 1 is a perspective view of a toilet seat bidet attachment showing my new design;
FIG. 2 is a front elevational view thereof;
FIG. 3 is a rear elevational view thereof;
FIG. 4 is a left side elevational view thereof;
FIG. 5 is a right side elevational view thereof;
FIG. 6 is a top plan view thereof;
FIG. 7 is a bottom plan view thereof;
FIG. 8 is a partial enlargement of FIG. 4; and,
FIG. 9 is a rear side perspective view thereof.

The broken lines depict portions of the toilet seat bidet attachment that form no part of the claimed design. The broken lines showing the enlargements in FIGS. 4 and 8 form no part of the claimed design.

1 Claim, 9 Drawing Sheets



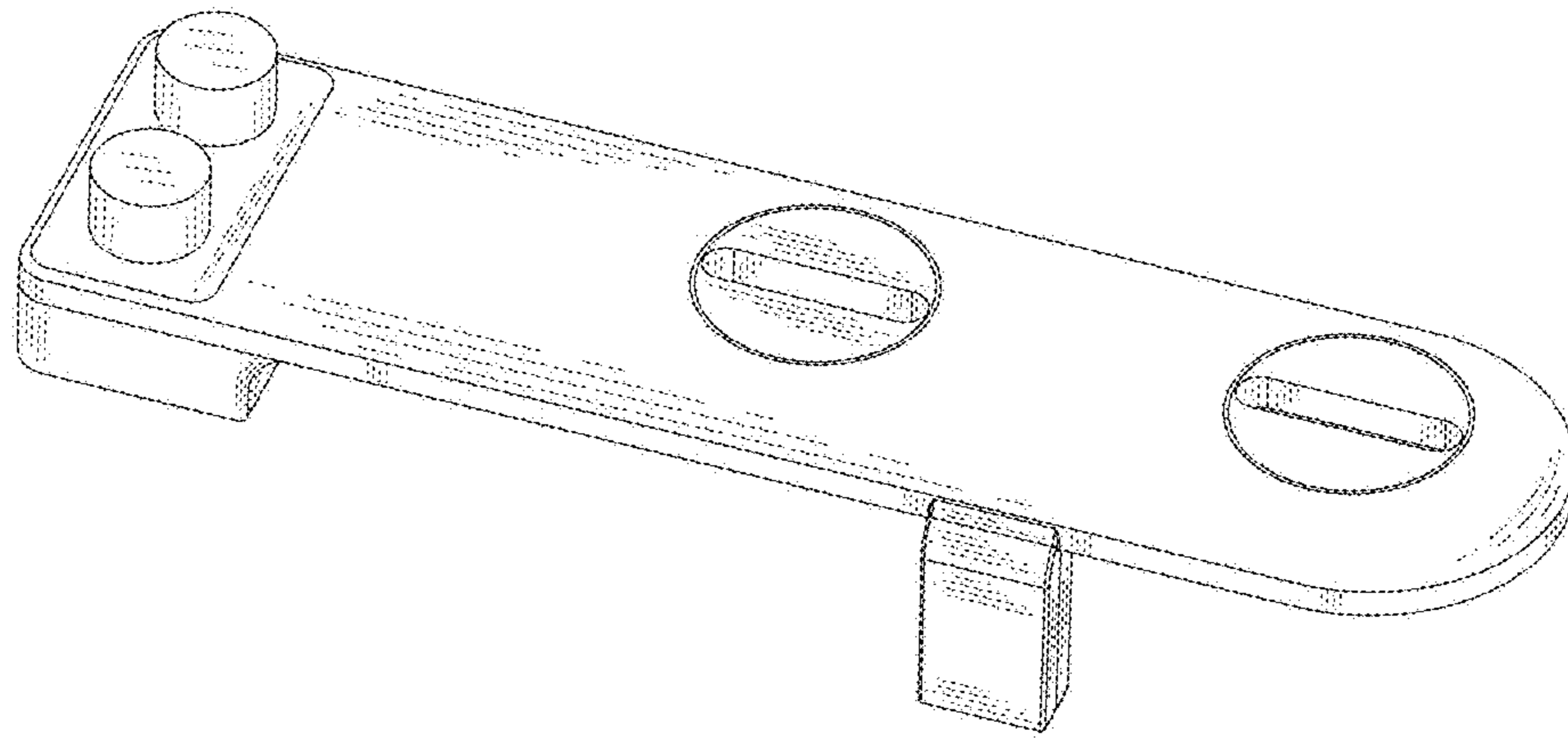


FIG. 1

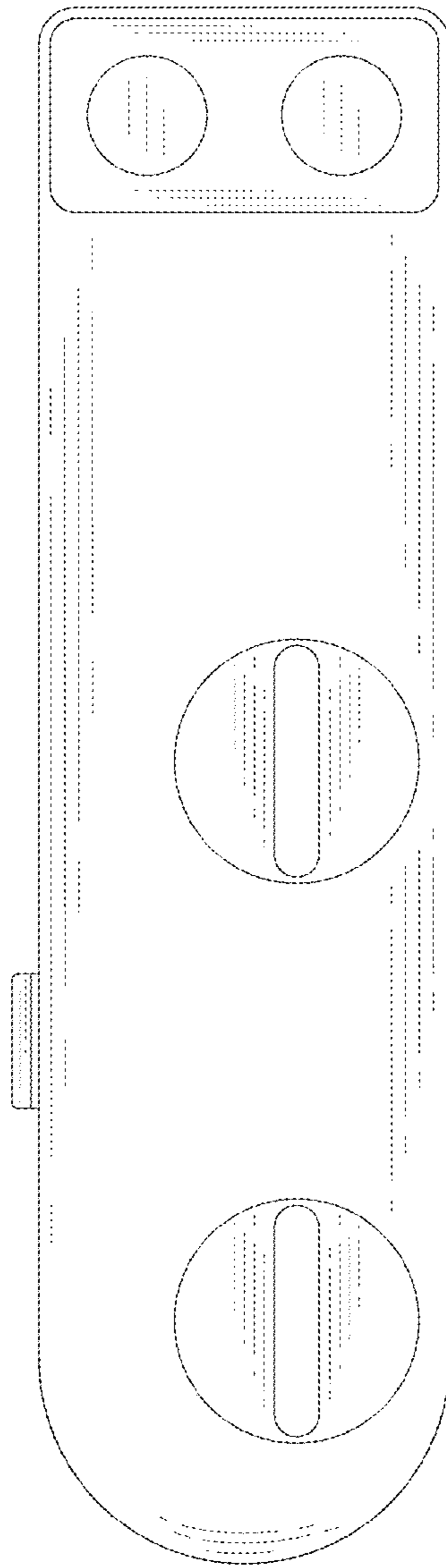


FIG. 2

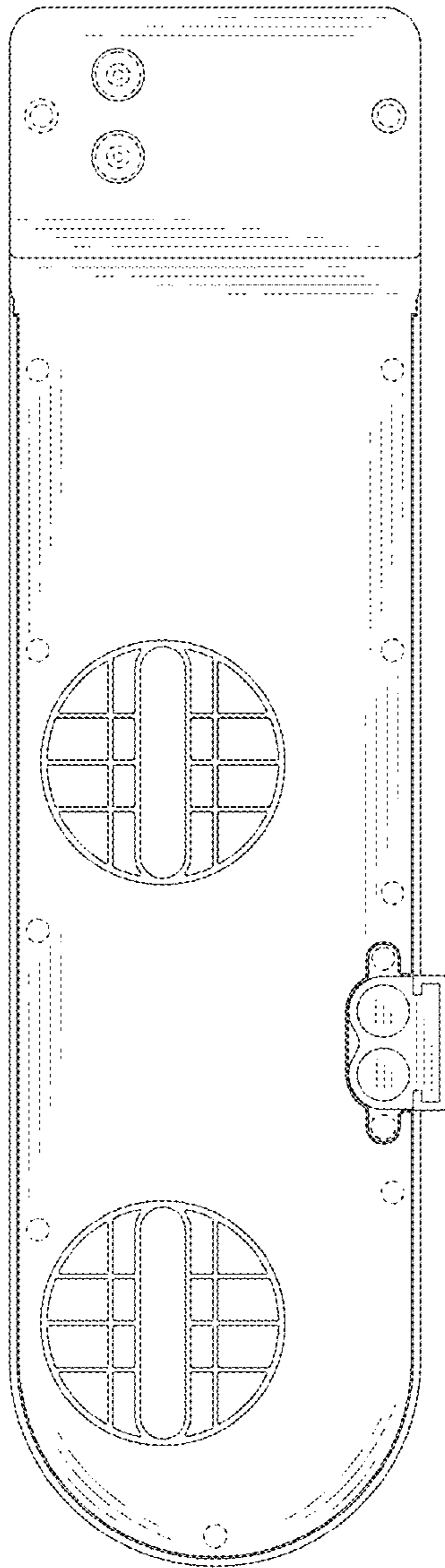


FIG. 3

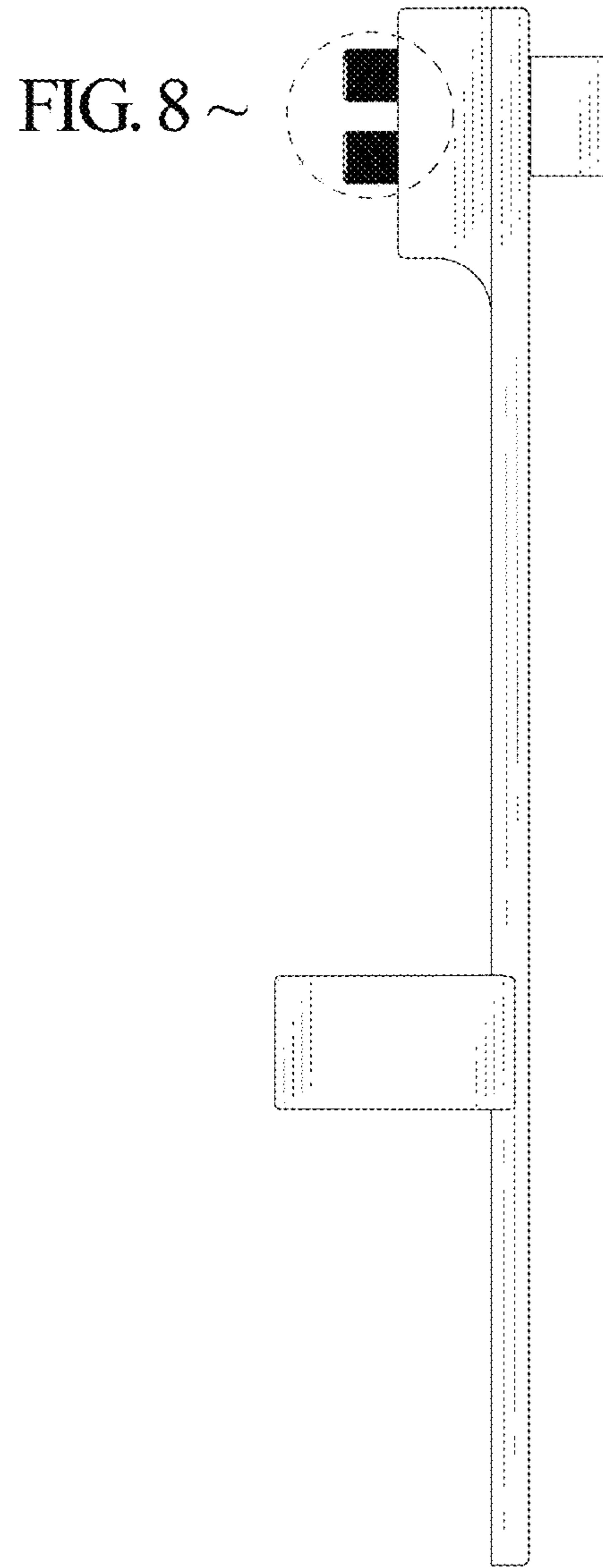


FIG. 4

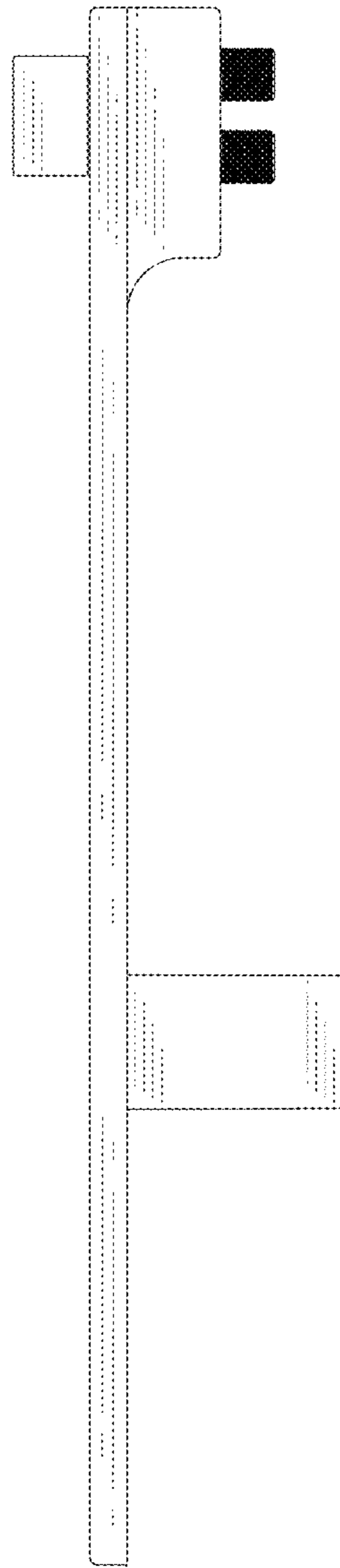


FIG. 5

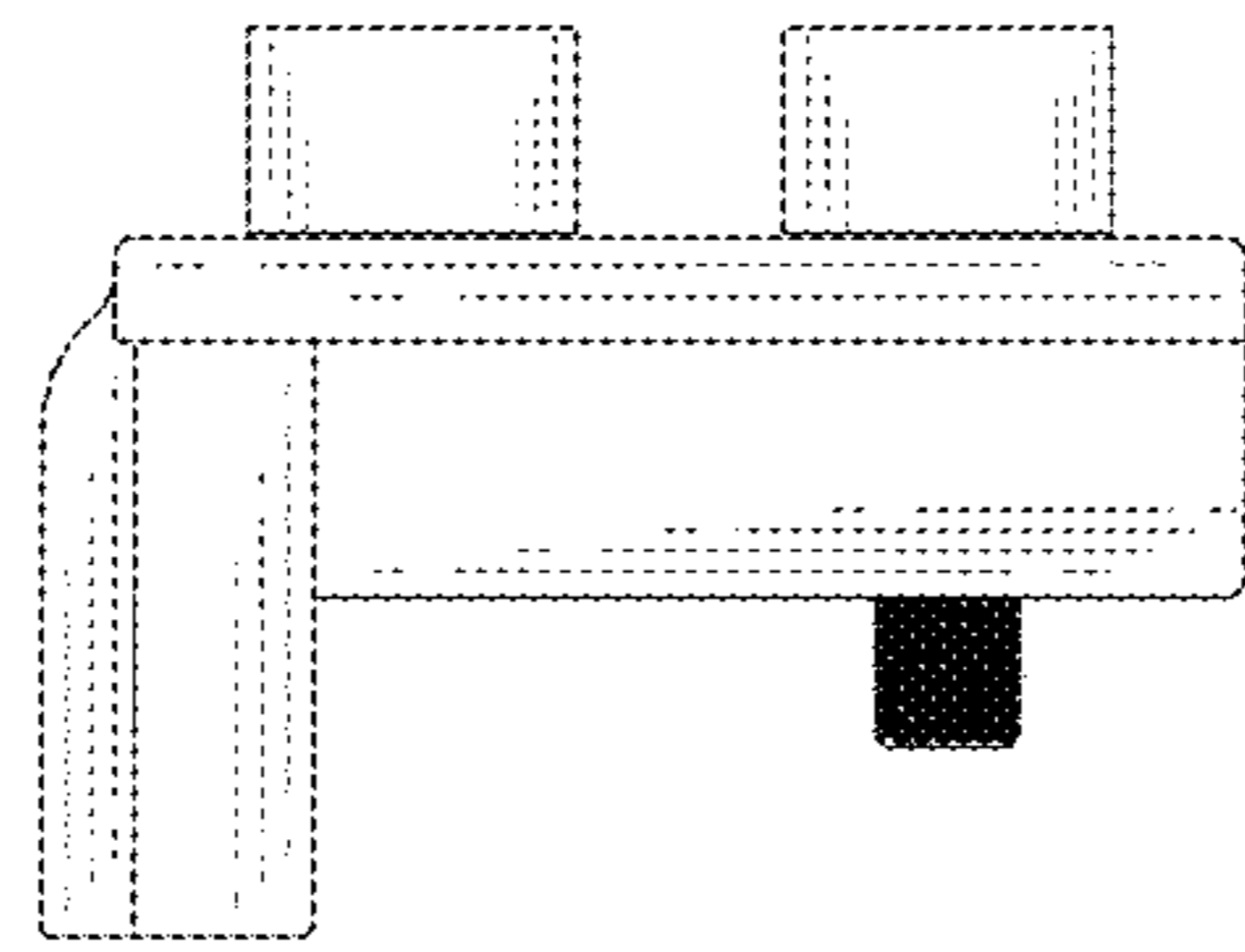


FIG. 6

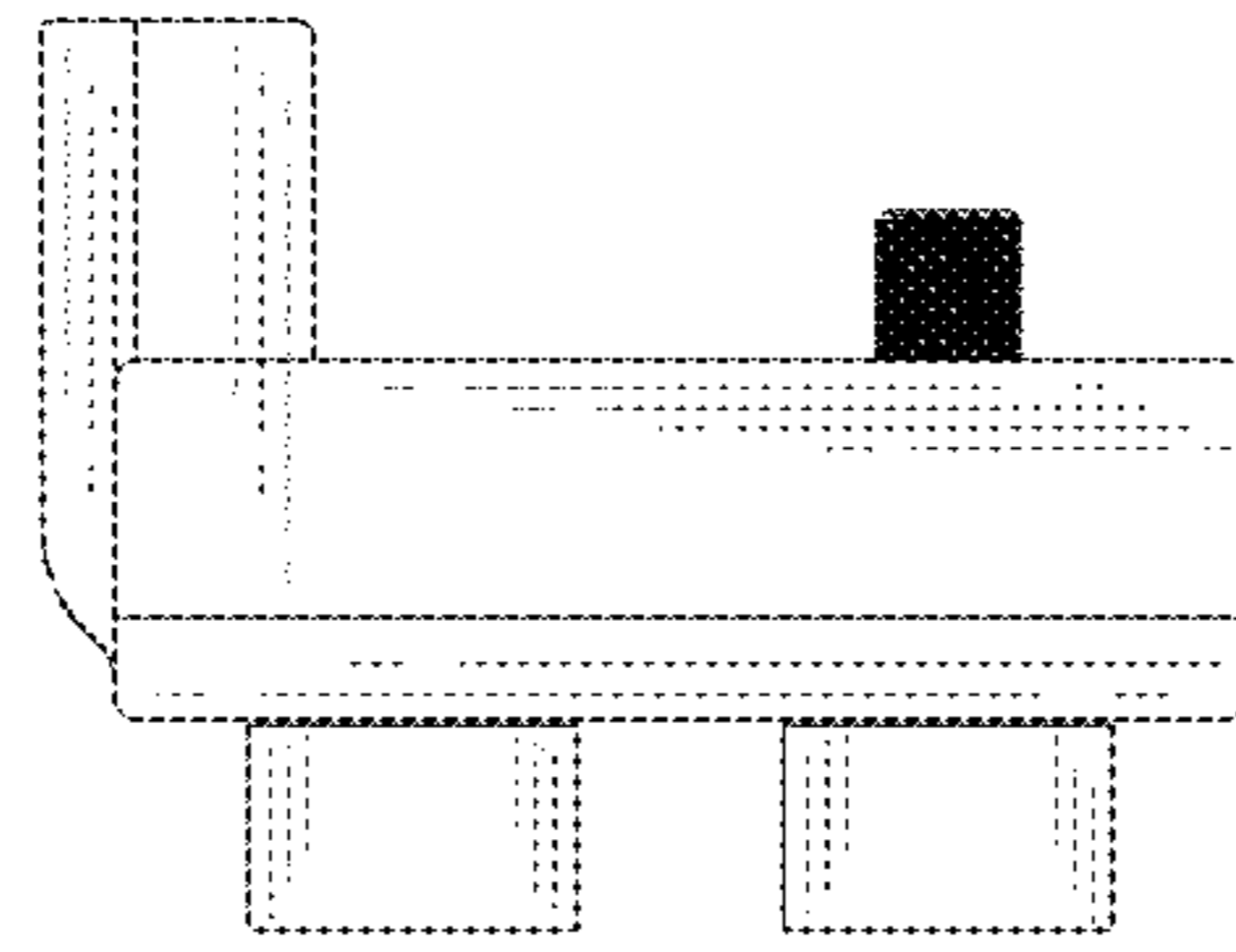


FIG. 7

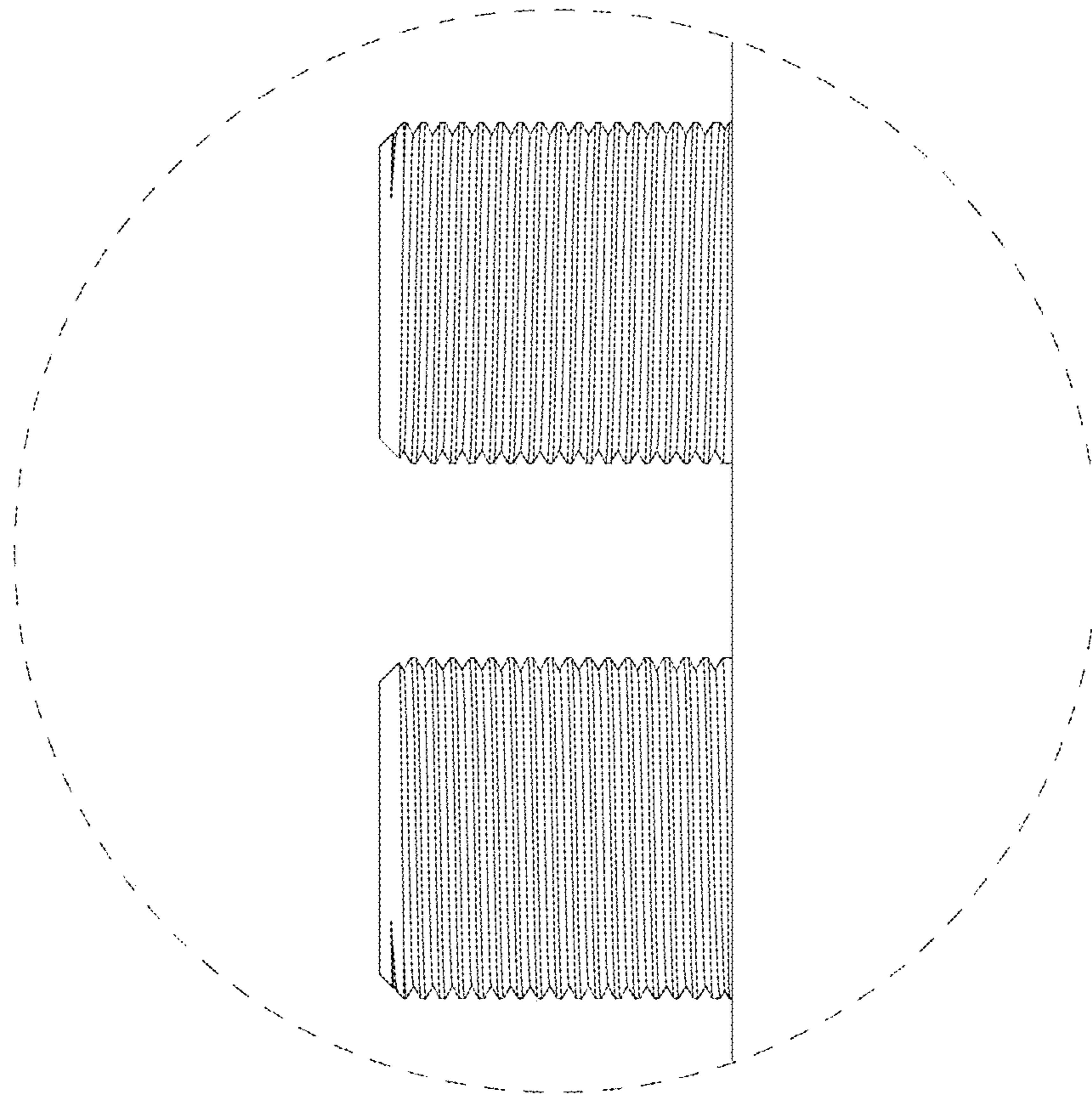


FIG. 8

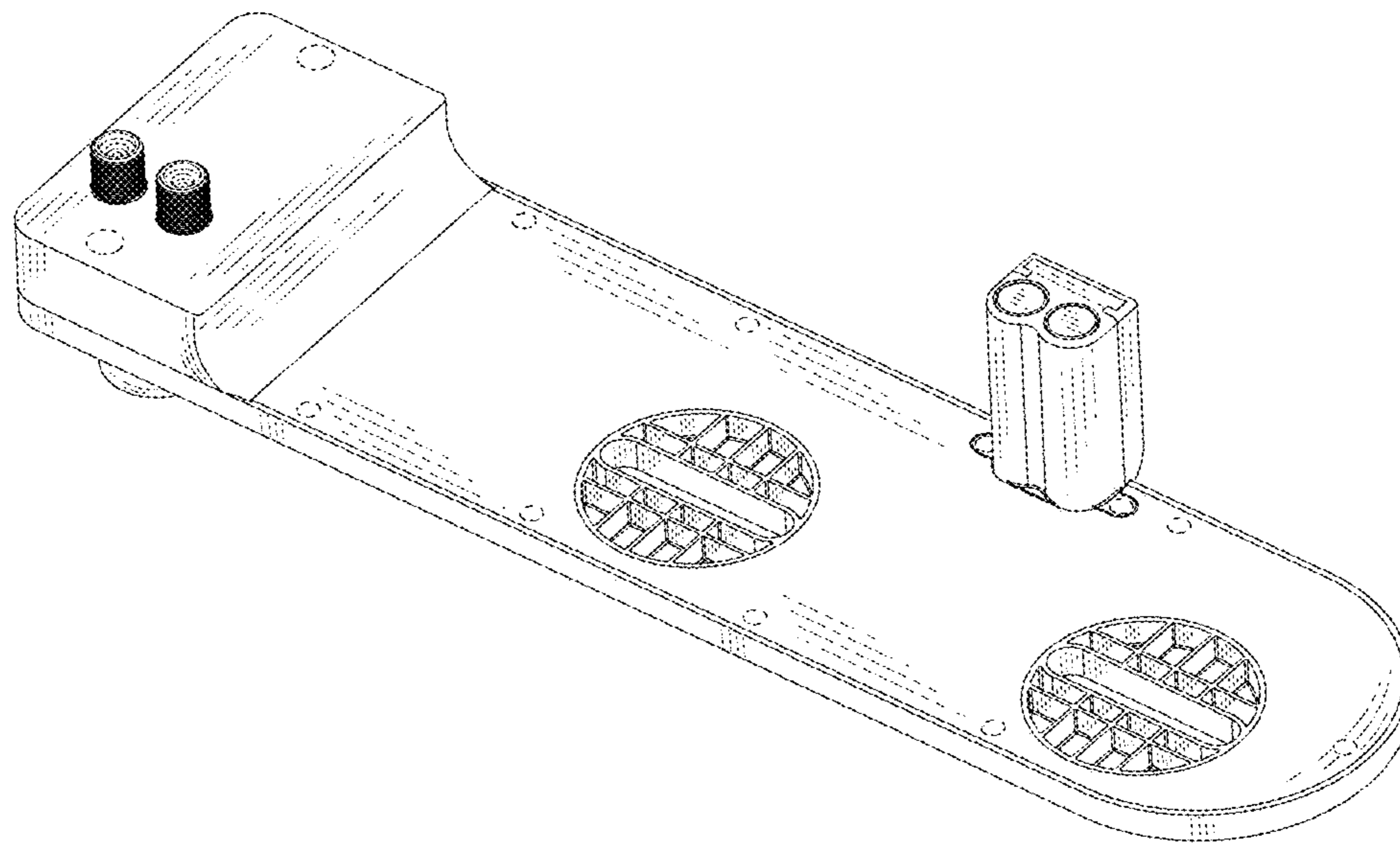


FIG. 9