



US00D981539S

(12) **United States Design Patent**
Jiang

(10) **Patent No.:** **US D981,539 S**

(45) **Date of Patent:** **** Mar. 21, 2023**

(54) **BIDET APPARATUS**

(71) Applicant: **Xiamen Soothingware Sanitary Co., Ltd.**, Xiamen (CN)

(72) Inventor: **Jianbing Jiang**, Xiamen (CN)

(73) Assignee: **Xiamen Soothingware Sanitary Co., Ltd.**, Xiamen (CN)

(**) Term: **15 Years**

(21) Appl. No.: **29/745,751**

(22) Filed: **Aug. 7, 2020**

(30) **Foreign Application Priority Data**

Jun. 15, 2020 (CN) 202030302604.8

(51) **LOC (14) Cl.** **23-02**

(52) **U.S. Cl.**
USPC **D23/309**

(58) **Field of Classification Search**
USPC D23/308-309, 31-312
See application file for complete search history.

(56) **References Cited**

U.S. PATENT DOCUMENTS

D885,539 S * 5/2020 Yan D23/309
D890,314 S * 7/2020 Yan D23/309

OTHER PUBLICATIONS

Comfier Body cleaner smart toilet cover sitting toilet wash ass artifact. Comfier. https://www.comfier.com/products/body-cleaner-smart-toilet-cover-sitting-toilet-wash-ass-artifact?pr_prod_strat=use_description&pr_rec_id=f5de6066e&pr_rec_pid=7657571778811&pr_ref_pid=7724157436155&pr_seq=uniform (Year: 2022).*

* cited by examiner

Primary Examiner — Robert A Delehanty

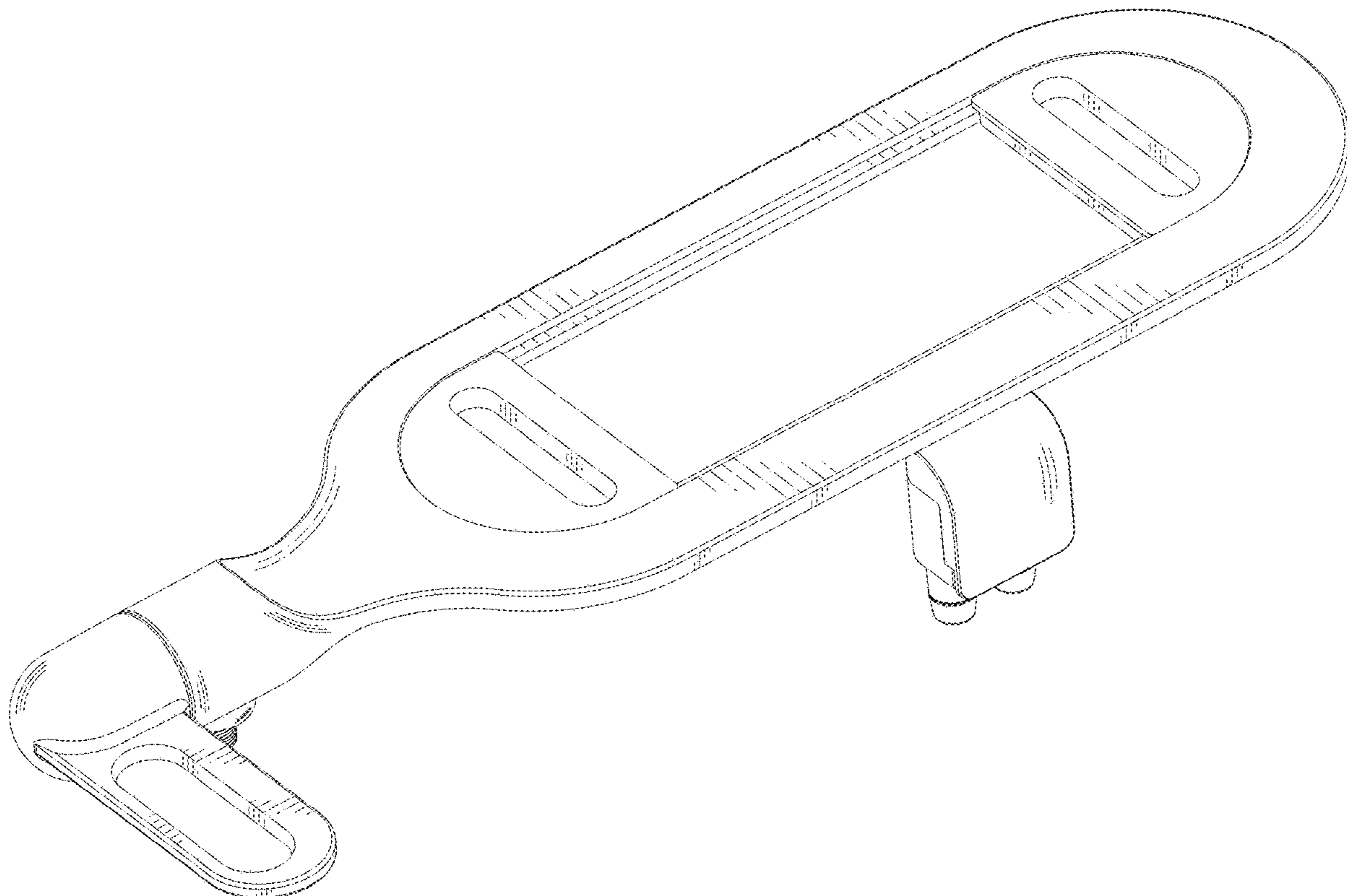
(57) **CLAIM**

The ornamental design for a bidet apparatus, as shown and described.

DESCRIPTION

FIG. 1 is a top plan view of a bidet apparatus showing the new design;
FIG. 2 is a bottom plan view thereof;
FIG. 3 is a left-side elevational view thereof;
FIG. 4 is a right-side elevational view thereof;
FIG. 5 is a rear elevational view thereof;
FIG. 6 is a front elevation view thereof;
FIG. 7 is a top, front, left perspective view thereof; and,
FIG. 8 is a bottom, front, left perspective view thereof.
The broken lines illustrate portions of the portions of the bidet apparatus which form no part of the claimed design.

1 Claim, 8 Drawing Sheets



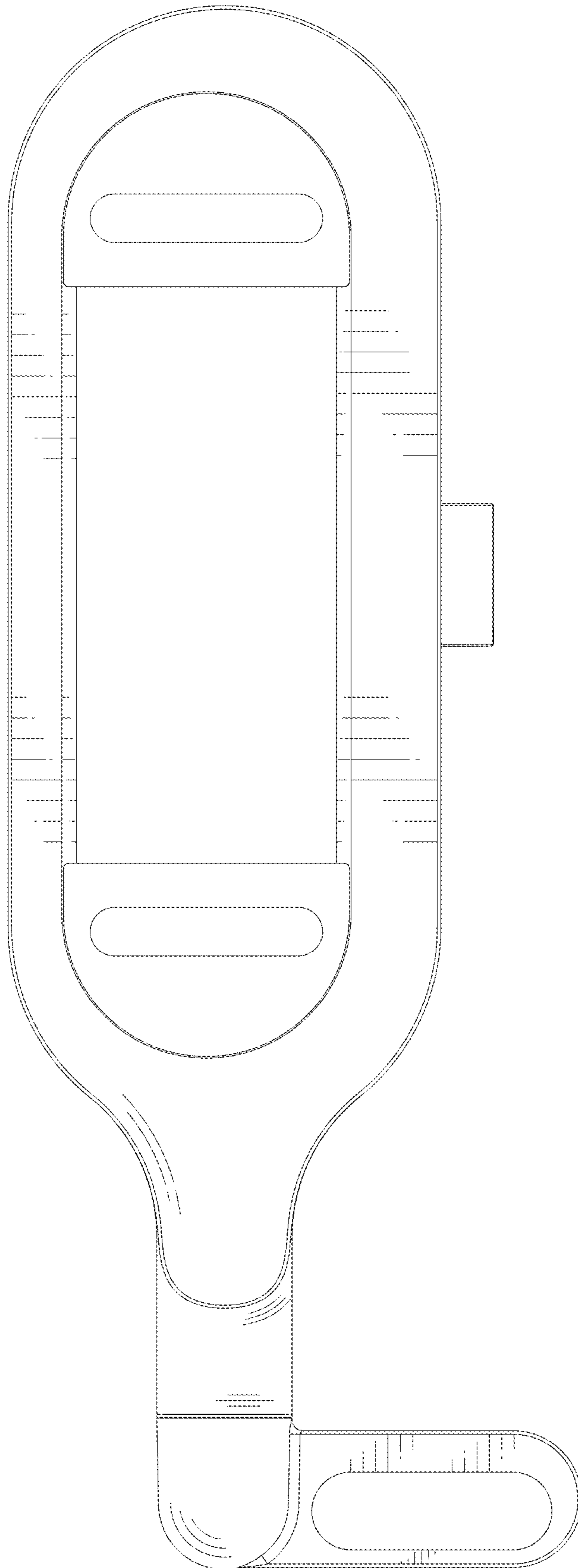


FIG.1

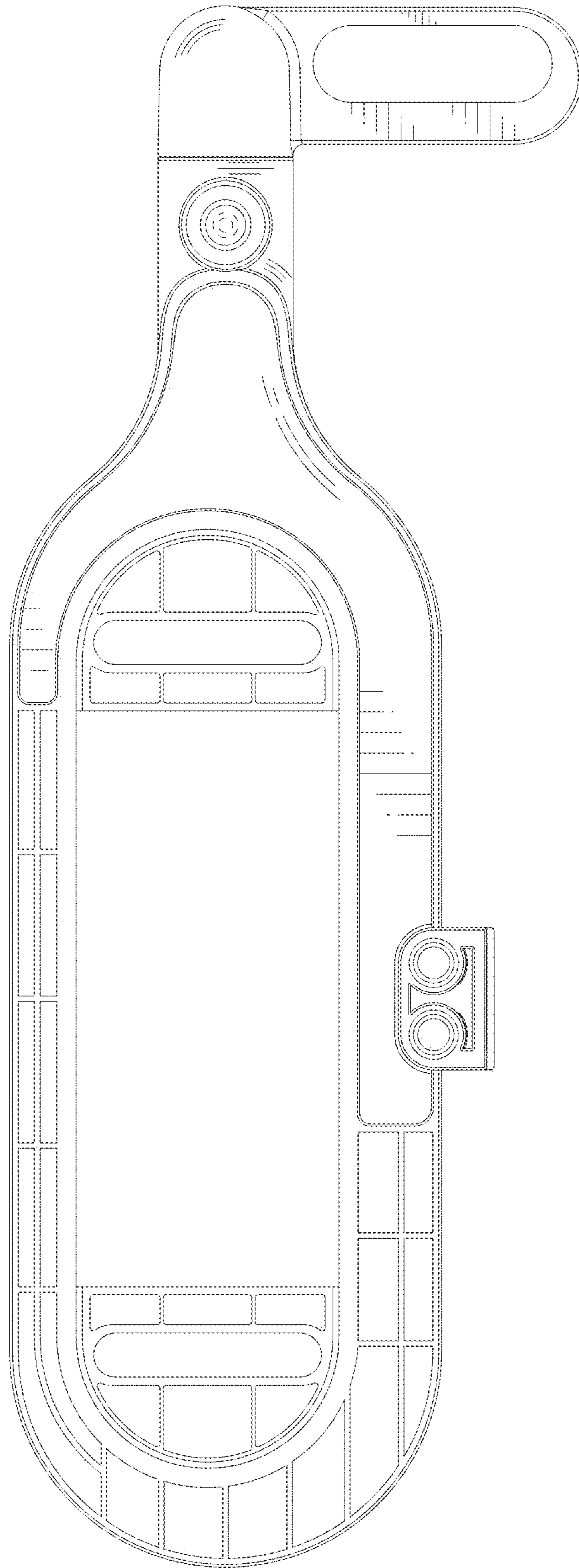


FIG.2

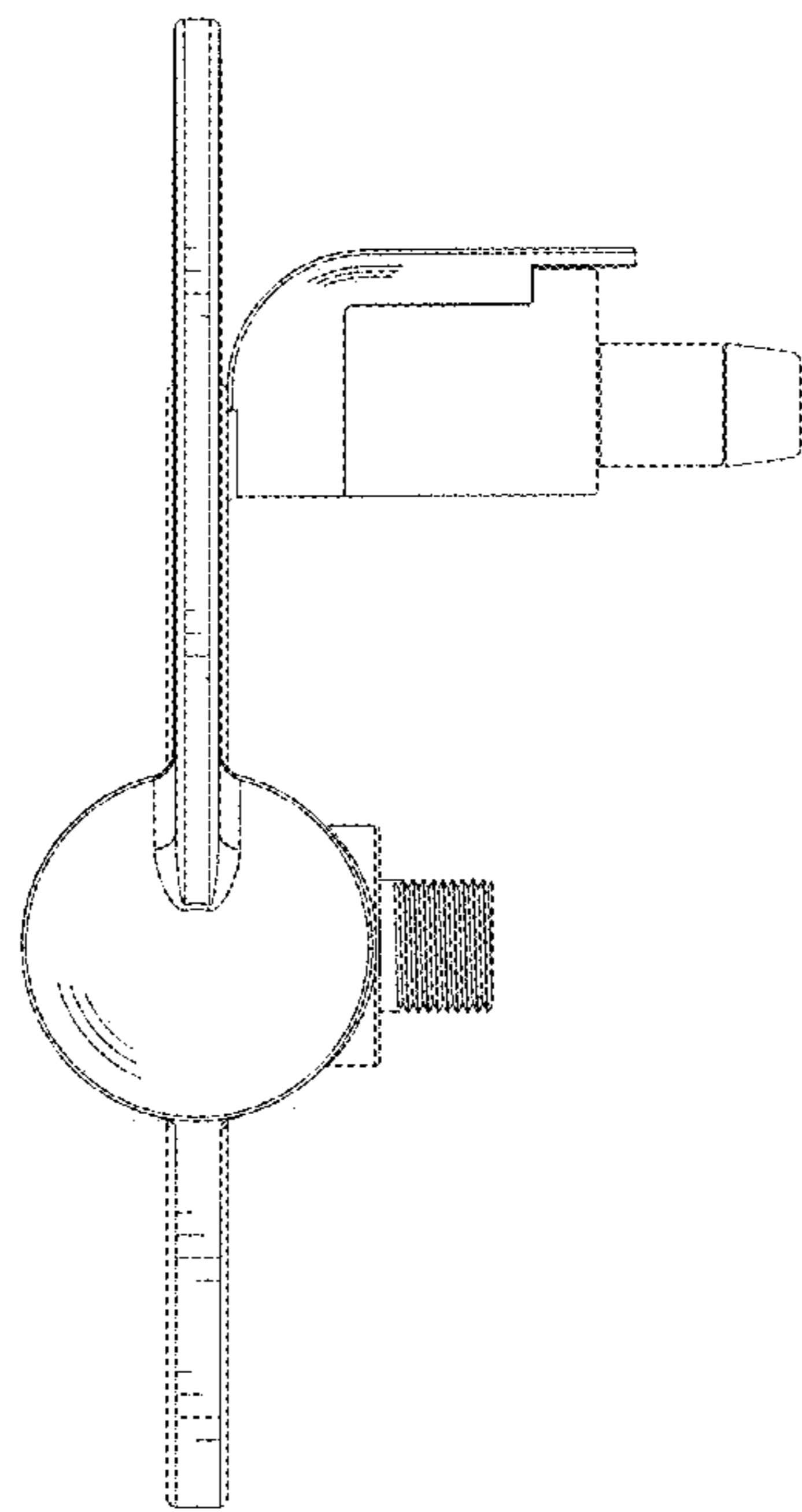


FIG.3

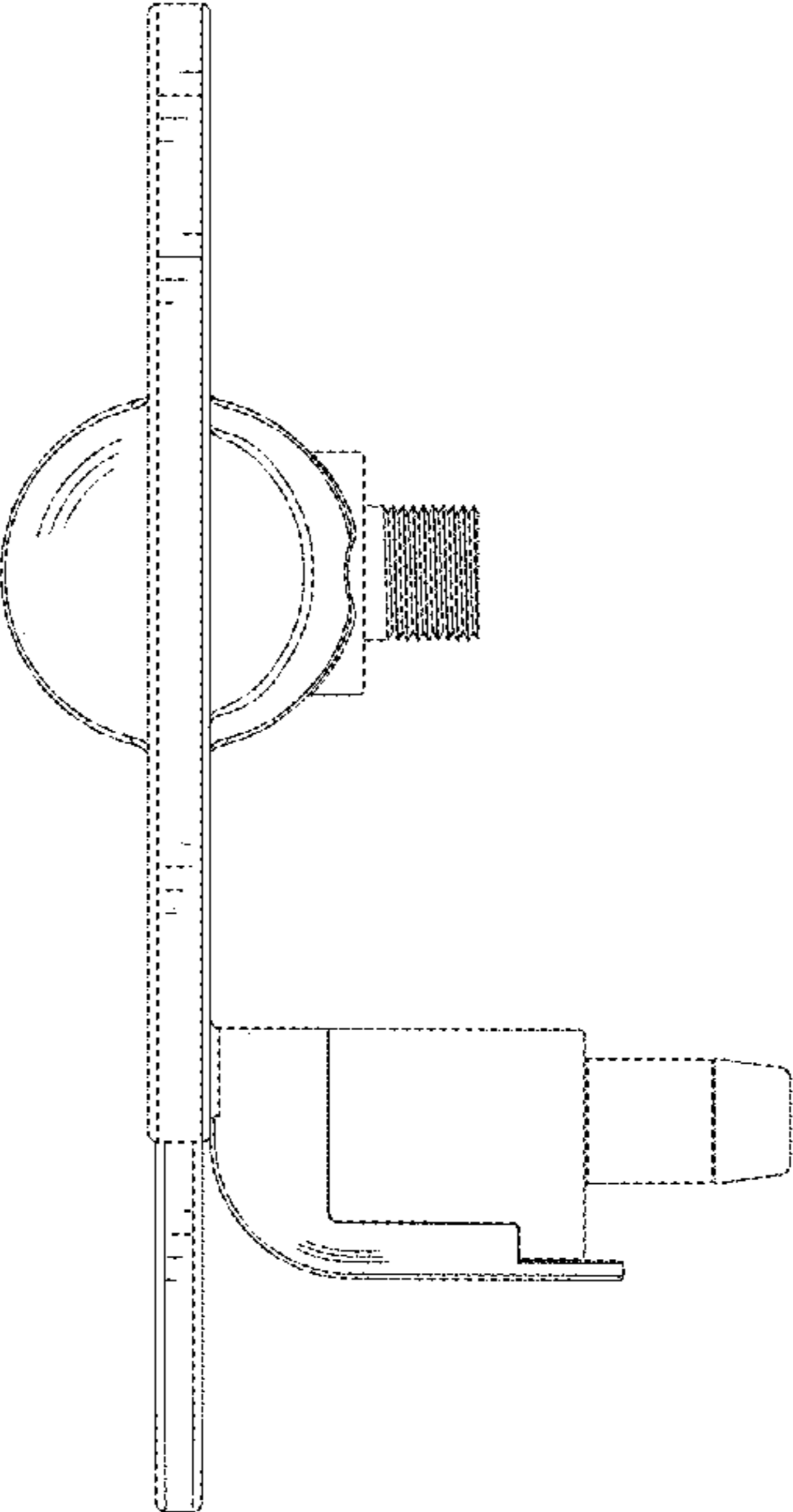


FIG.4

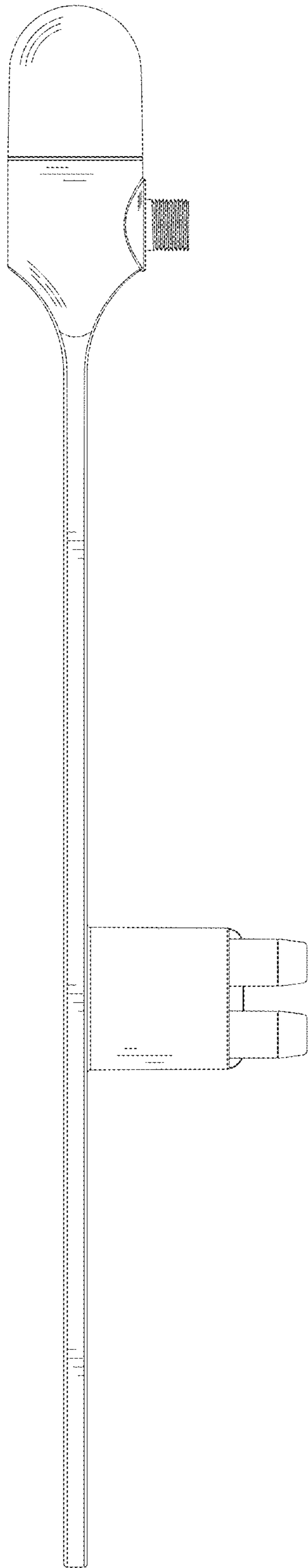


FIG. 5

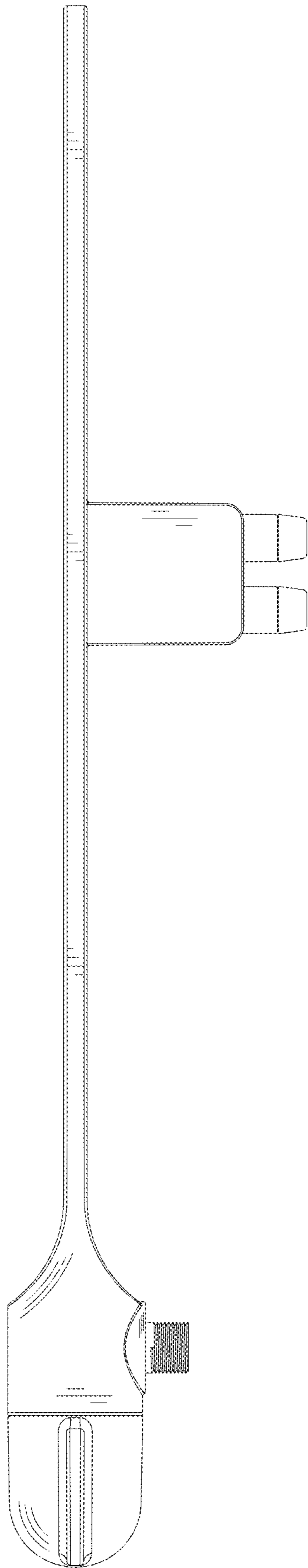


FIG.6

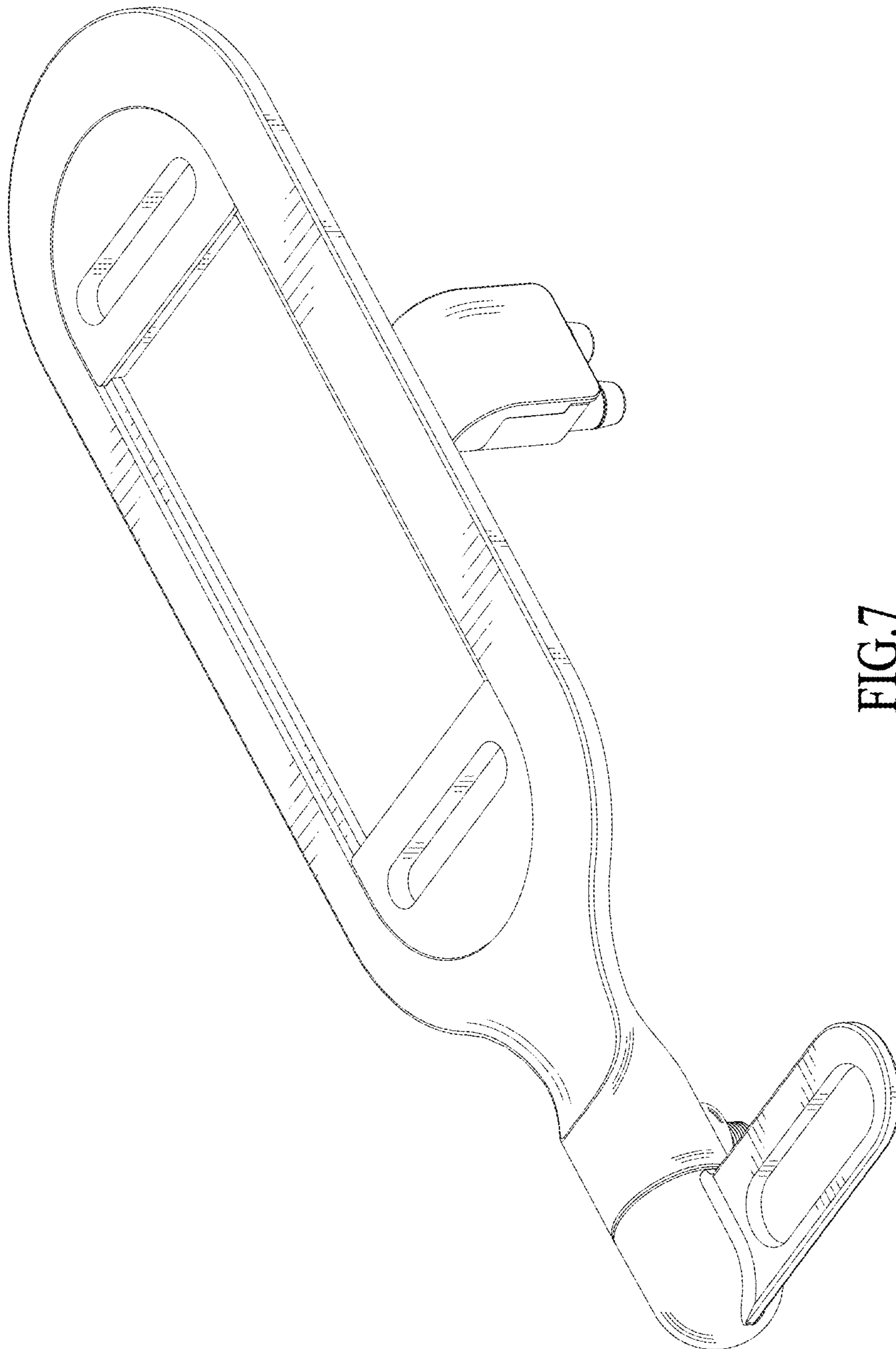


FIG.7

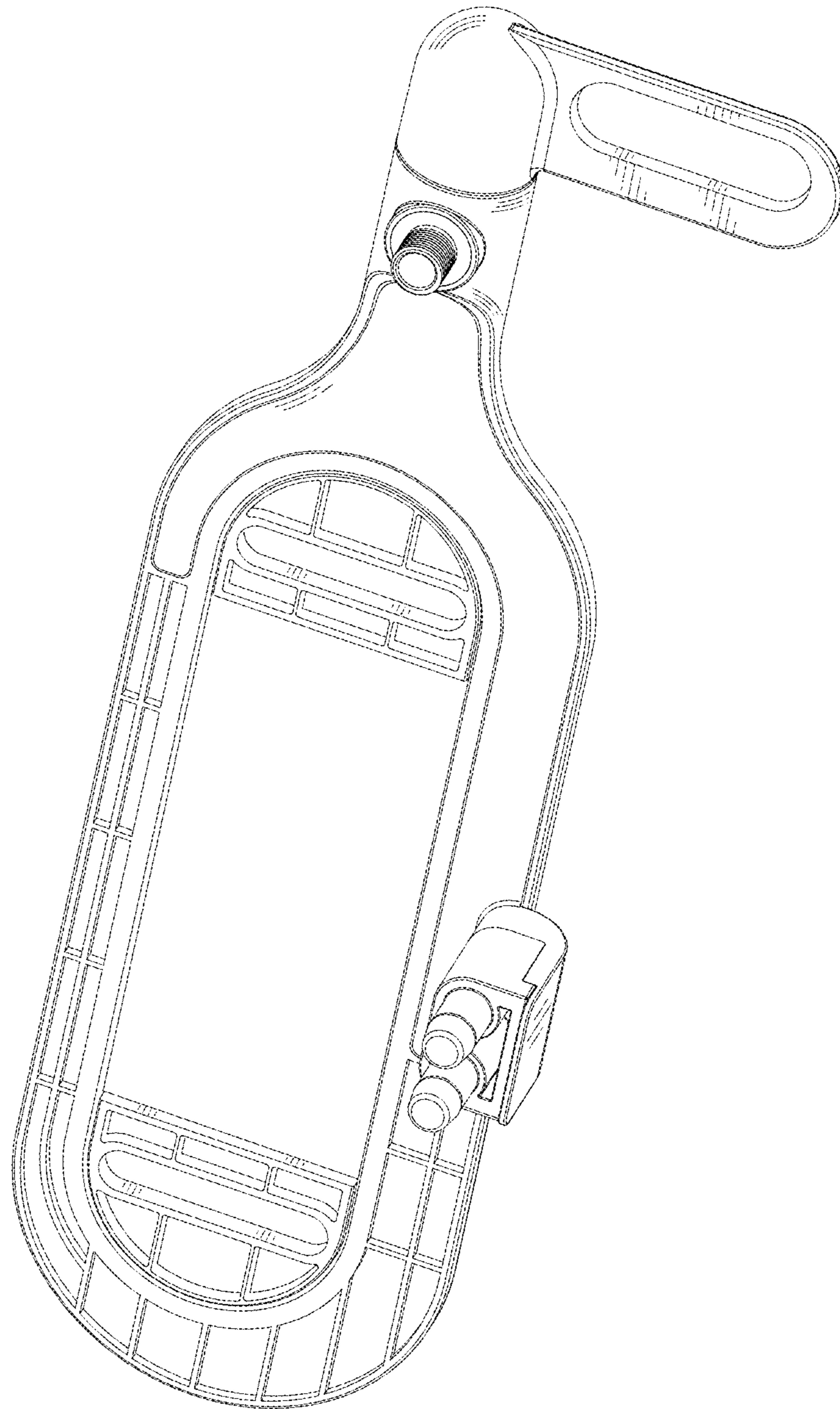


FIG.8