



US00D981536S

(12) **United States Design Patent**
Tropper

(10) **Patent No.:** **US D981,536 S**

(45) **Date of Patent:** **** Mar. 21, 2023**

(54) **SQUARE PIPING CAP**

(71) Applicant: **LDR Global Industries, LLC,**
Matawan, NJ (US)

(72) Inventor: **Hillel Tropper,** Brooklyn, NY (US)

(73) Assignee: **LDR Global Industries, LLC,**
Chicago, IL (US)

(**) Term: **15 Years**

(21) Appl. No.: **29/738,434**

(22) Filed: **Jun. 17, 2020**

(51) **LOC (14) Cl.** **23-01**

(52) **U.S. Cl.**
USPC **D23/260**

(58) **Field of Classification Search**
USPC D23/213, 223, 229, 233, 249, 259-269,
D23/365, 386, 387, 388, 397; D8/382,
D8/396; D7/312, 313; D24/112, 129
CPC F16L 1/00; F16L 1/036; F16L 9/00; F16L
9/003; F16L 9/006; F16L 11/00; F16L
11/122; F16L 13/00; F16L 13/002; F16L
13/146; F16L 15/00; F16L 23/00; F16L
23/14; F16L 23/0283; F16L 25/0009;
F16L 37/00; F16L 41/00; F16L 41/02;
F16L 41/025; F16L 43/00; F16L 47/26;
F16L 47/32; F16L 17/00; F16L 17/02;
F16L 17/025; F16L 17/035; F16L 17/06;
F16L 17/063; F16L 17/067; F16L 17/073;
F16L 17/08; F16L 21/00; F16L 21/022;
A47L 9/02; A47L 9/0416; A61M 39/00;
A61M 39/223; F16B 2/00; F16B 2/08;
F16B 7/00; F16B 7/04; F16B 7/0486;
F16B 7/0493; F16B 2012/103; F16B
12/40; F16B 21/00; F16B 21/02; F16B
23/00; F16B 23/0015; F16B 23/0046;
F16B 35/00; F16B 35/044; F16B 37/00
See application file for complete search history.

(56) **References Cited**

U.S. PATENT DOCUMENTS

461,932	A *	10/1891	Richardson	F16B 37/00
					411/427
4,272,209	A *	6/1981	Joseph, Jr., II	F16B 23/00
					411/222
4,654,913	A *	4/1987	Grube	F16B 37/00
					470/18
D375,786	S *	11/1996	Morris	D23/260
D780,893	S *	3/2017	Denooy	D23/262
2005/0276677	A1 *	12/2005	Andersson	F16B 21/02
					411/553
2010/0084244	A1 *	4/2010	Pittman	F16B 37/00
					193/2 A
2015/0008204	A1 *	1/2015	Choy	F16B 12/40
					211/186
2018/0105216	A1 *	4/2018	Dumitru	F16B 37/00

* cited by examiner

Primary Examiner — Gino Colan

Assistant Examiner — David OBrien

(74) *Attorney, Agent, or Firm* — Weiss & Arons LLP

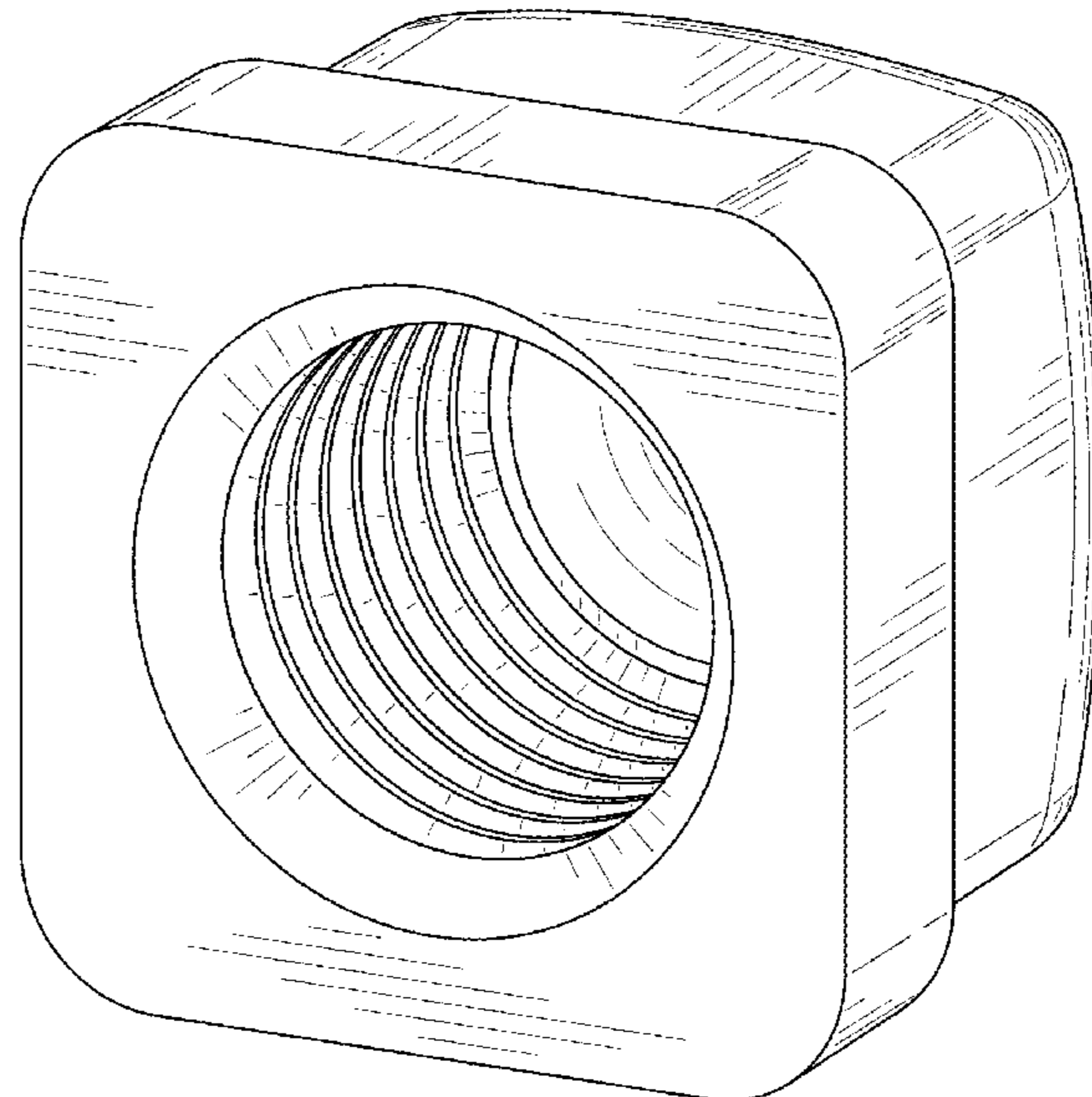
(57) **CLAIM**

The ornamental design for a square piping cap, as shown and described.

DESCRIPTION

FIG. 1 is a front perspective view of the square piping cap; FIG. 2 is a front face view of the square piping cap; FIG. 3 is a back face view of the square piping cap; FIG. 4 is a left face view of the square piping cap; FIG. 5 is a right face view of the square piping cap; FIG. 6 is a top face view of the square piping cap; and, FIG. 7 is a bottom face view of the square piping cap.

1 Claim, 7 Drawing Sheets



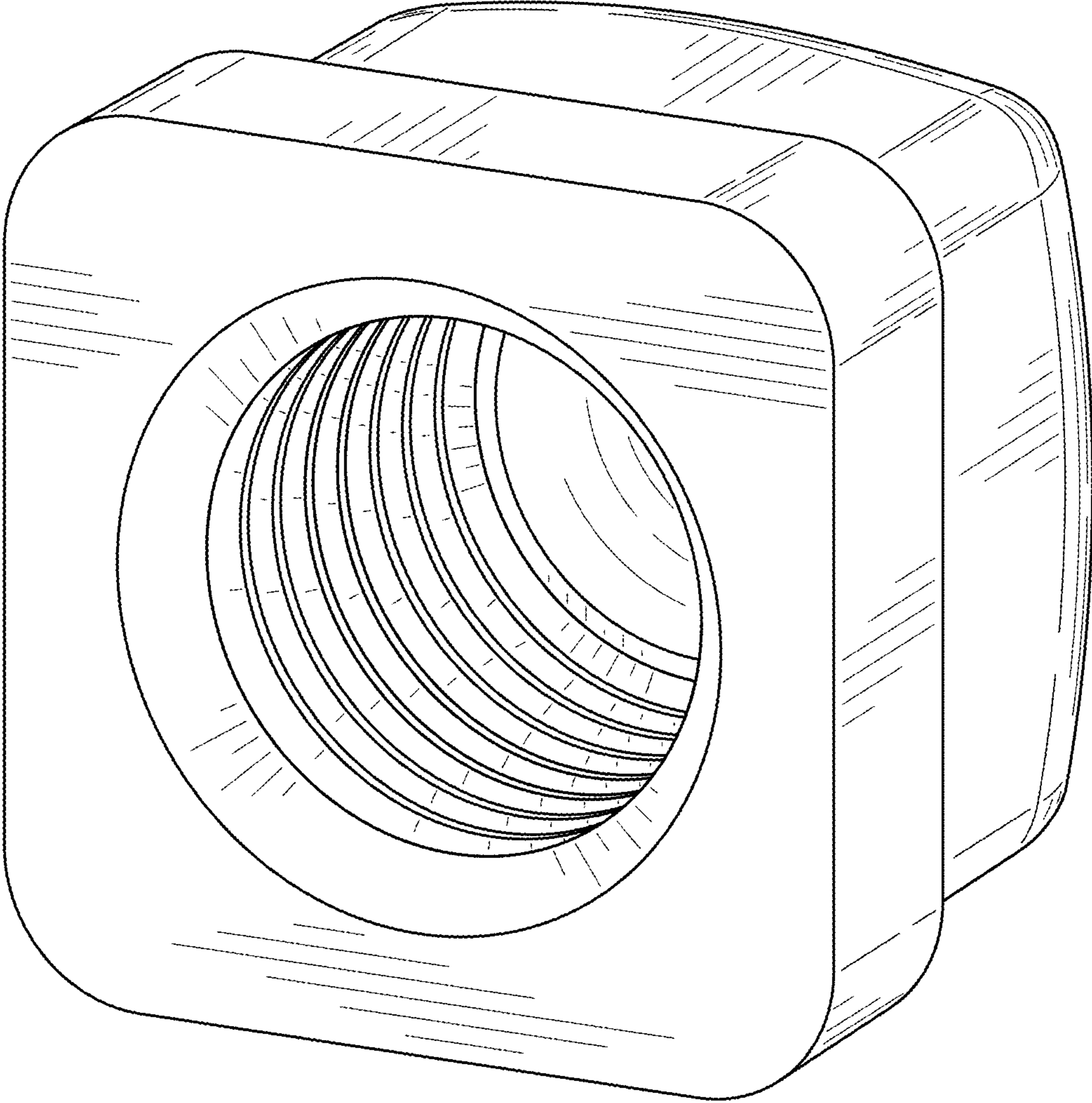


FIG. 1

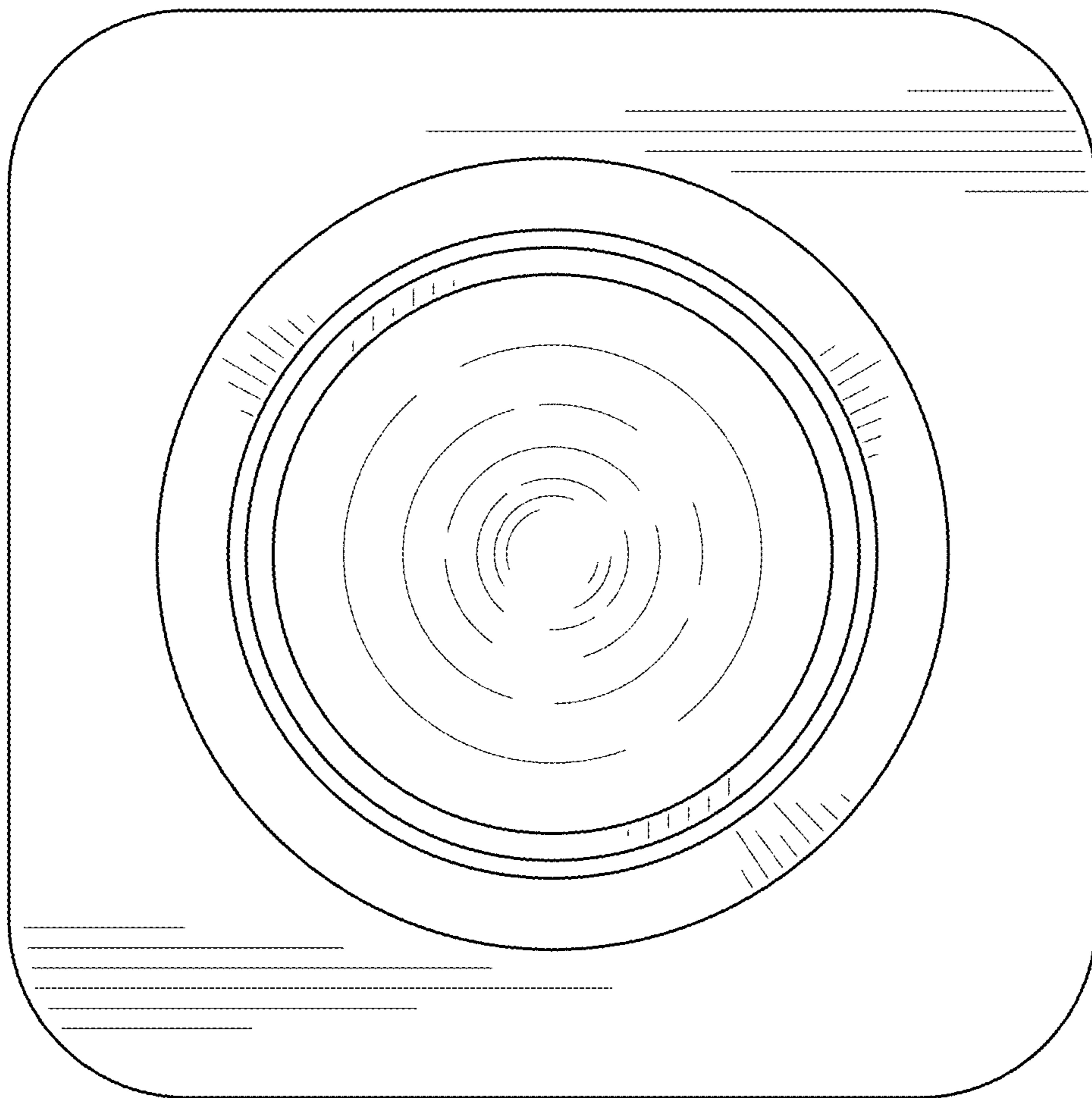


FIG. 2

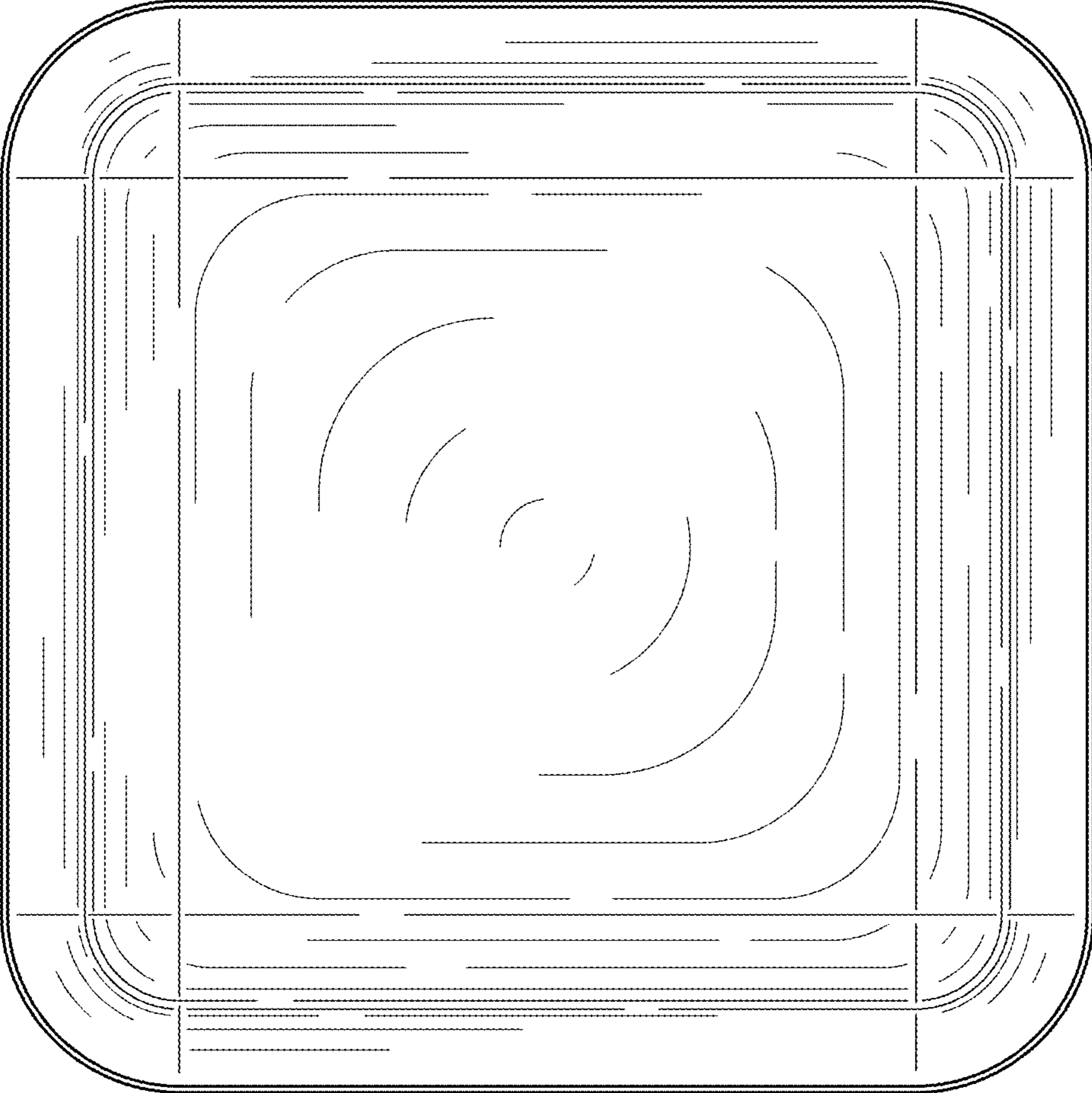


FIG. 3

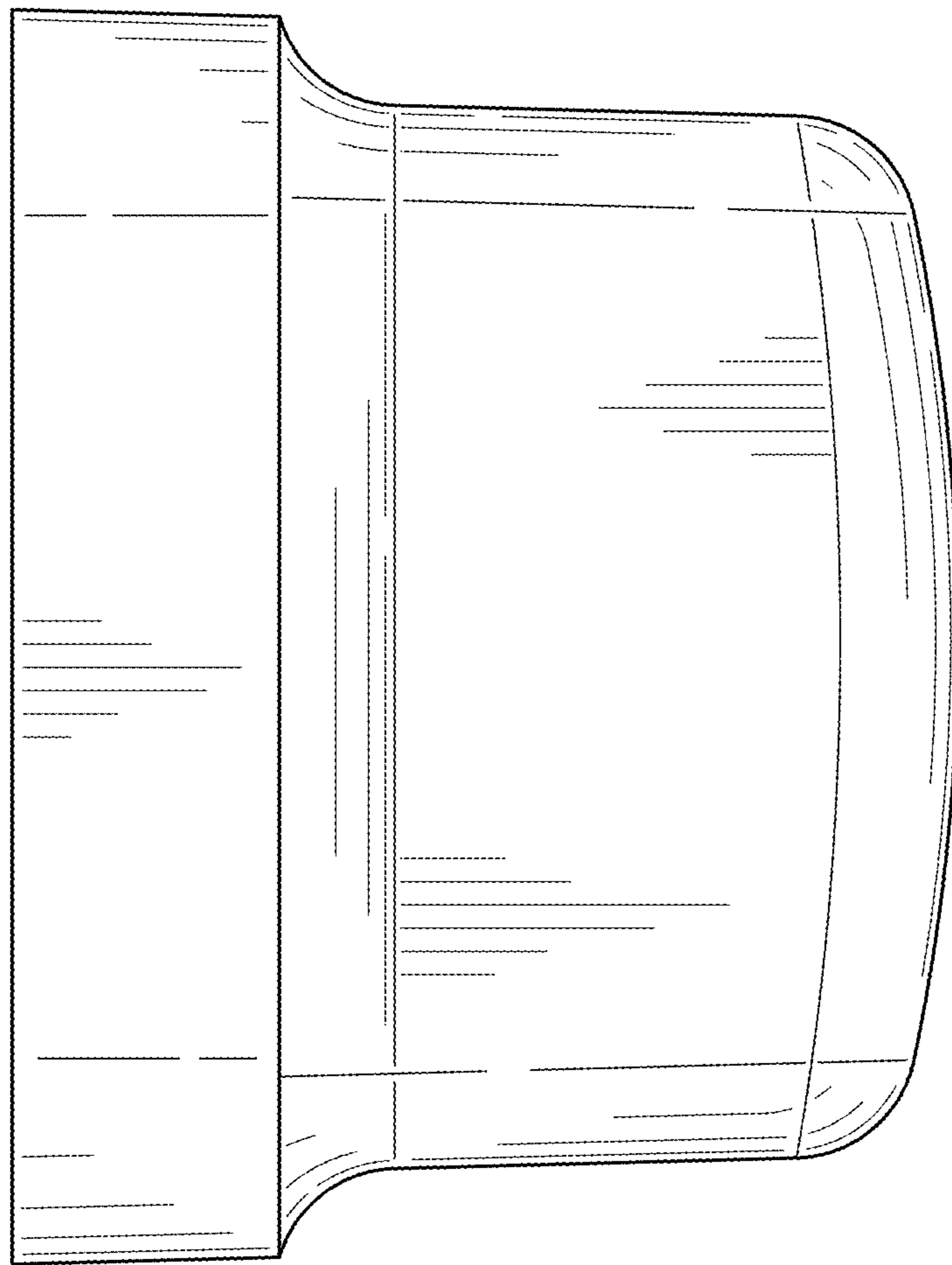


FIG. 4

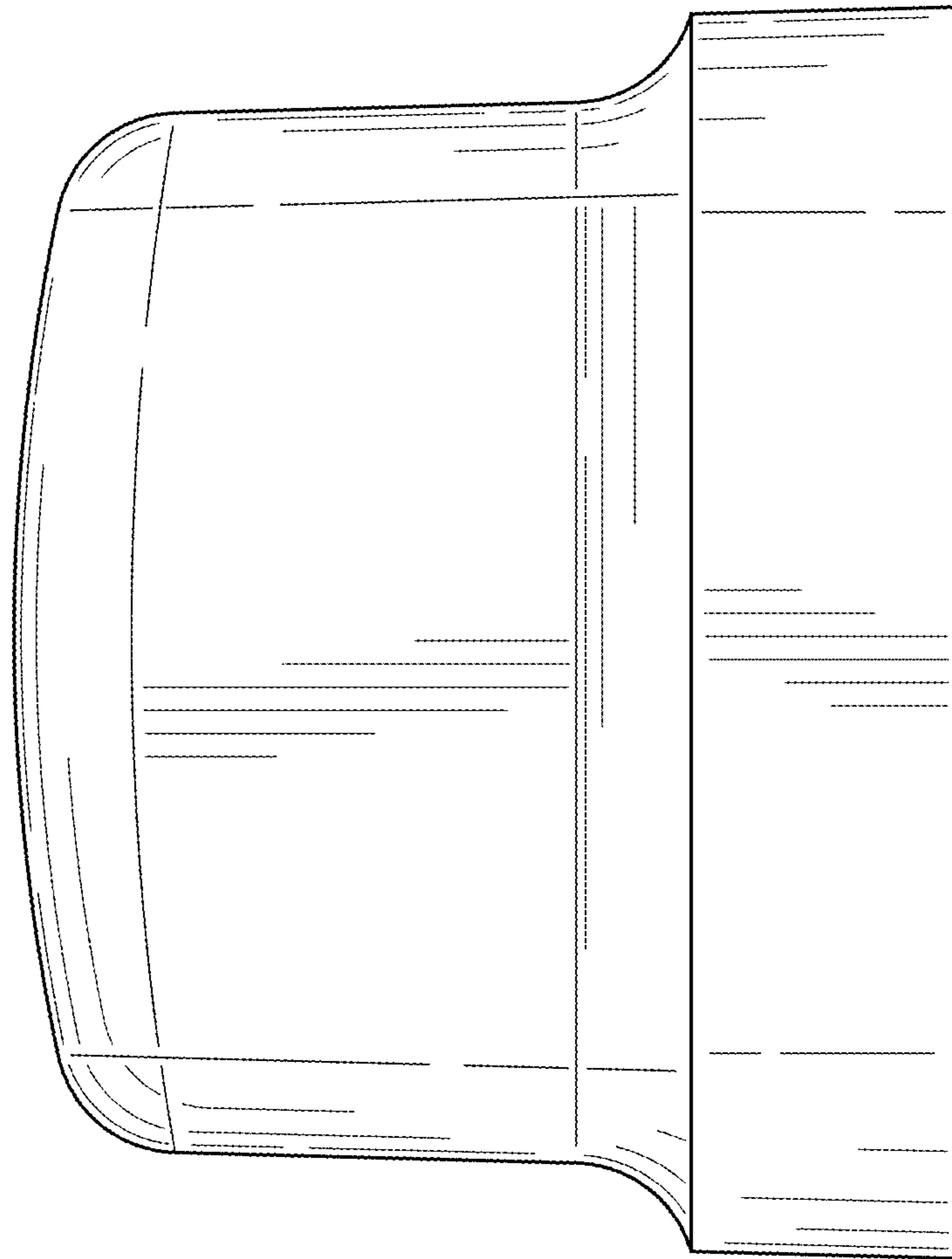


FIG. 5

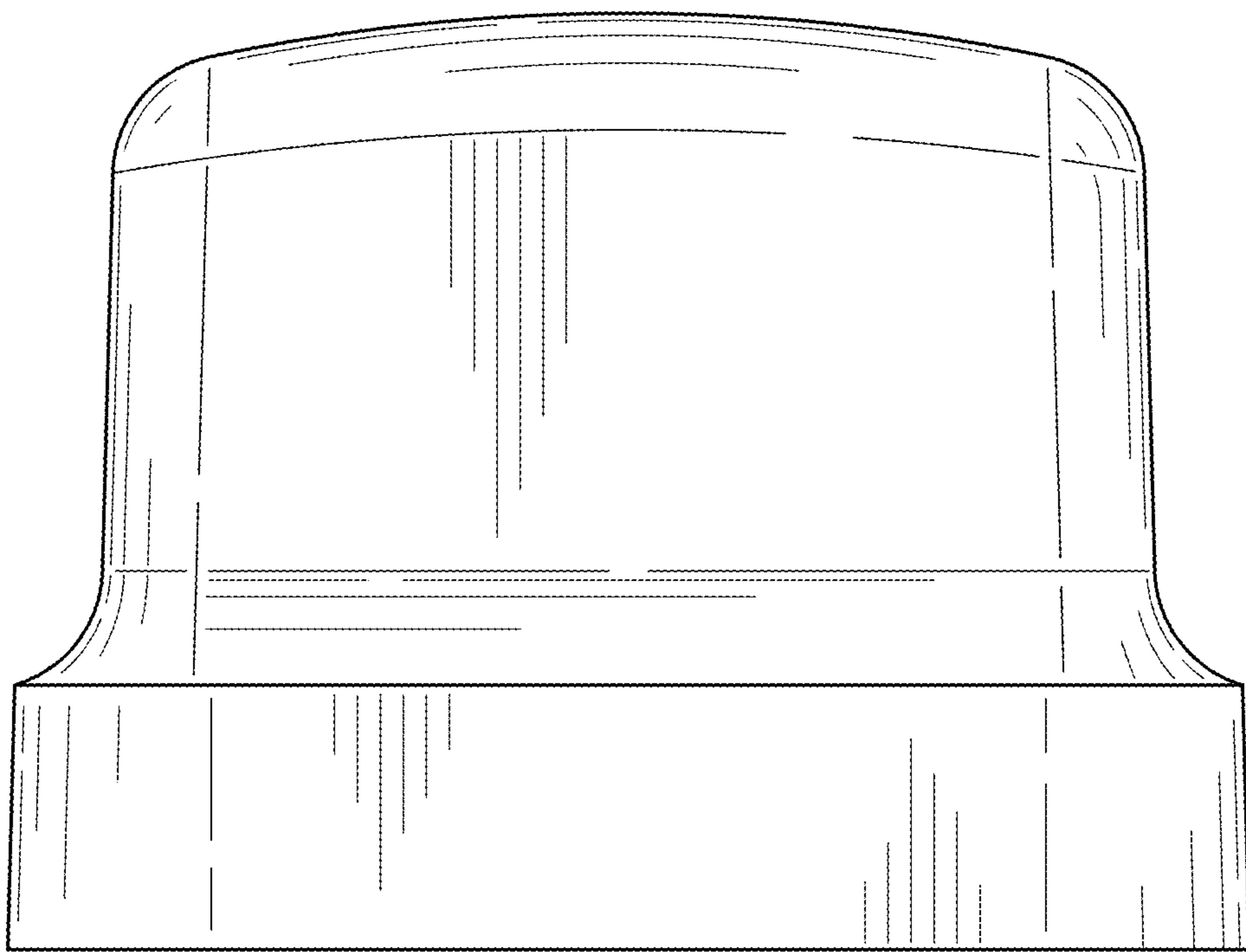


FIG. 6

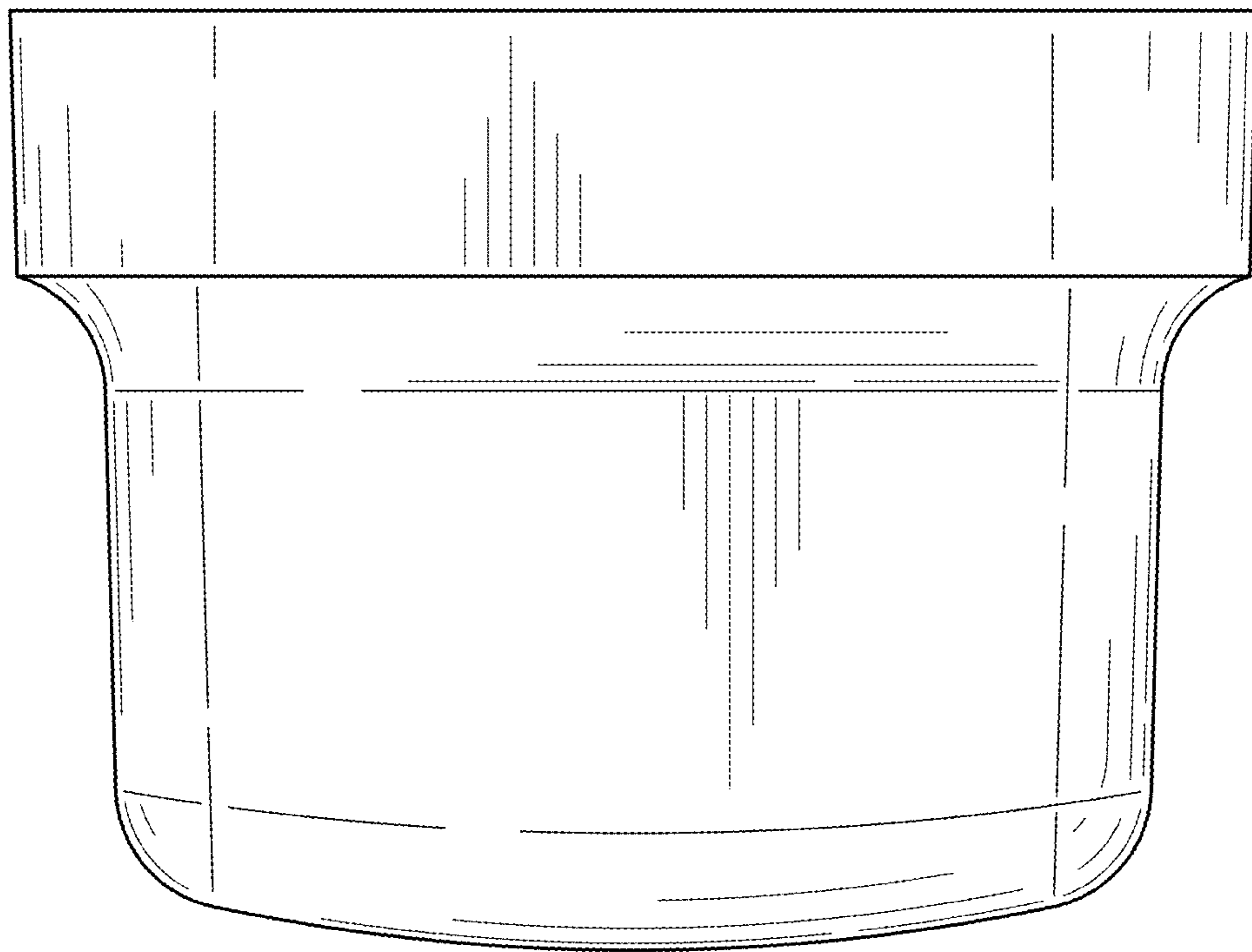


FIG. 7