



US00D981534S

(12) **United States Design Patent**  
**Vítek et al.**

(10) **Patent No.:** **US D981,534 S**  
(45) **Date of Patent:** **\*\* Mar. 21, 2023**

- (54) **VENTILATION VALVE**
- (71) Applicant: **GOTTSCHOL ALCUILUX CZ, SPOL. S R.O.**, Hulin (CZ)
- (72) Inventors: **František Vítek**, Otrokovice (CZ);  
**Pavel Páleník**, Hulin (CZ)
- (\*\*) Term: **15 Years**
- (21) Appl. No.: **35/512,097**
- (22) Filed: **Dec. 28, 2020**
- (80) **Hague Agreement Data**  
Int. Filing Date: **Dec. 28, 2020**  
Int. Reg. No.: **DM/212555**  
Int. Reg. Date: **Dec. 28, 2020**  
Int. Reg. Pub. Date: **Jul. 2, 2021**
- (51) **LOC (14) Cl.** ..... **23-01**
- (52) **U.S. Cl.**  
USPC ..... **D23/233**
- (58) **Field of Classification Search**  
USPC ..... D23/233, 235–237; D10/46, 96–100  
CPC ..... G01F 1/06; G01F 1/44; G01F 1/68; G01F  
1/6845; G01F 1/6842; G01F 15/14; F16K  
1/38; F16K 1/52; F16K 31/383  
See application file for complete search history.

(56) **References Cited**  
U.S. PATENT DOCUMENTS

D154,427 S *	7/1949	Peterson	.....	D23/233
D207,766 S *	5/1967	Keane	.....	D23/245
D285,055 S *	8/1986	Heubel	.....	D9/437
D370,963 S *	6/1996	Daansen	.....	D23/235
D412,738 S *	8/1999	Kuwabara	.....	D23/233
D427,285 S *	6/2000	Watanabe	.....	D23/233
D441,053 S *	4/2001	Fan	.....	D23/233

D468,806 S *	1/2003	Ripkey	.....	D23/233
D524,911 S *	7/2006	Thompson	.....	D23/233
7,131,433 B1 *	11/2006	Lindberg	.....	F01M 13/0011 123/573
D576,254 S *	9/2008	McBroom	.....	D23/233
D690,391 S *	9/2013	Garm	.....	D23/233
D701,944 S *	4/2014	Kahn	.....	D23/233
D704,302 S *	5/2014	Anderson	.....	D23/233
D711,509 S *	8/2014	Sisk	.....	D23/233
D722,674 S *	2/2015	Lipkens	.....	D23/233
D728,070 S *	4/2015	Schurle	.....	D23/213
D745,637 S *	12/2015	Penkkimäki	.....	F01M 13/0011 D23/233
D750,751 S *	3/2016	Penkkimäki	.....	D23/233
D750,753 S *	3/2016	Penkkimäki	.....	D23/233
D775,313 S *	12/2016	Penkkimäki	.....	D23/233
D776,791 S *	1/2017	Itou	.....	D23/237
D825,721 S *	8/2018	Penkkimäki	.....	D23/249
D841,779 S *	2/2019	Penkkimäki	.....	D23/249
D864,352 S *	10/2019	Jones	.....	D23/233
2009/0053354 A1 *	2/2009	Hajduch	.....	F16K 24/04 425/546
2016/0273669 A1 *	9/2016	Burgett	.....	F16K 24/04

\* cited by examiner

*Primary Examiner* — Keli L Hill  
(74) *Attorney, Agent, or Firm* — Rumit R. Kanakia

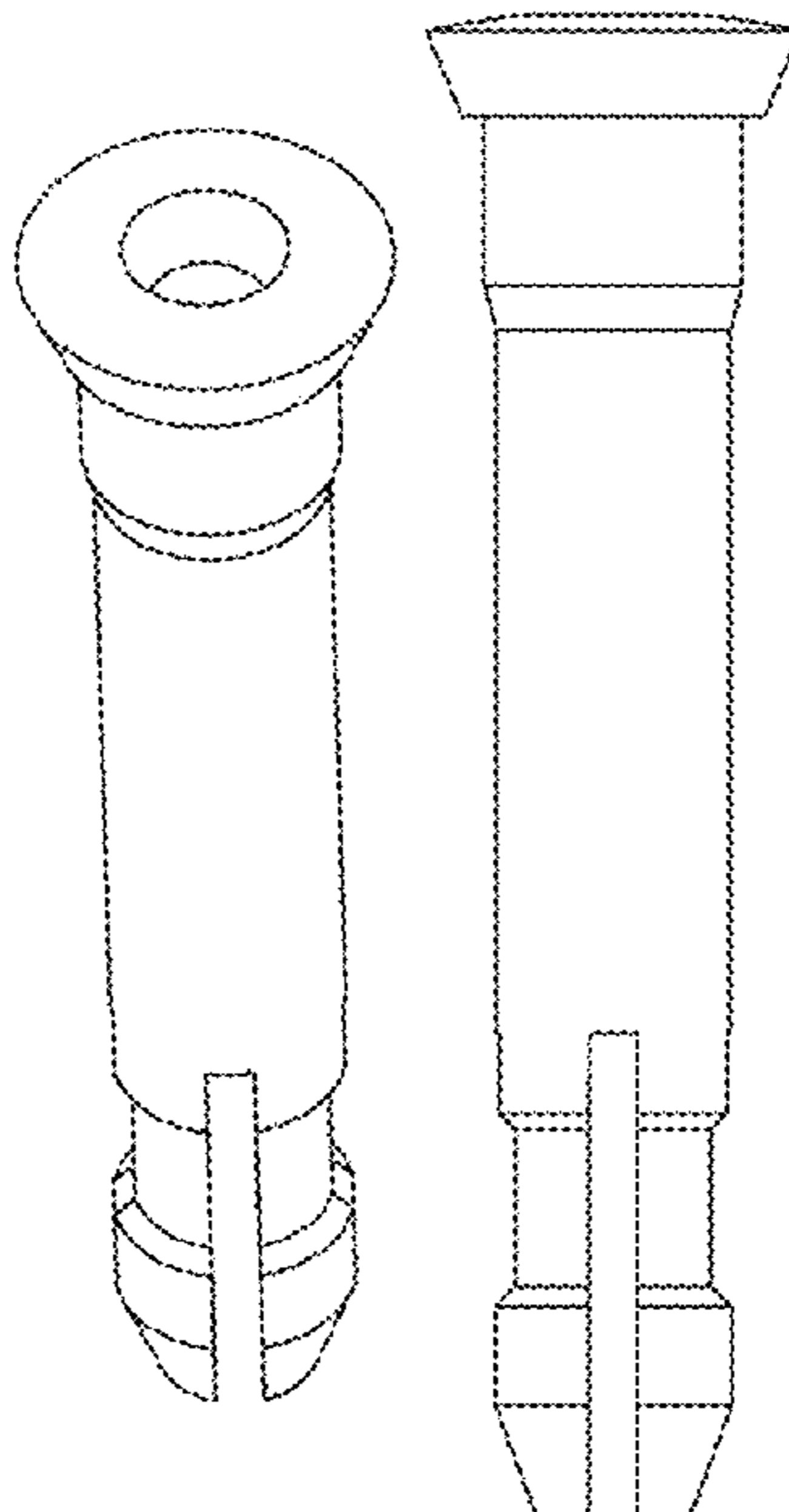
(57) **CLAIM**

The ornamental design for a ventilation valve, as shown and described.

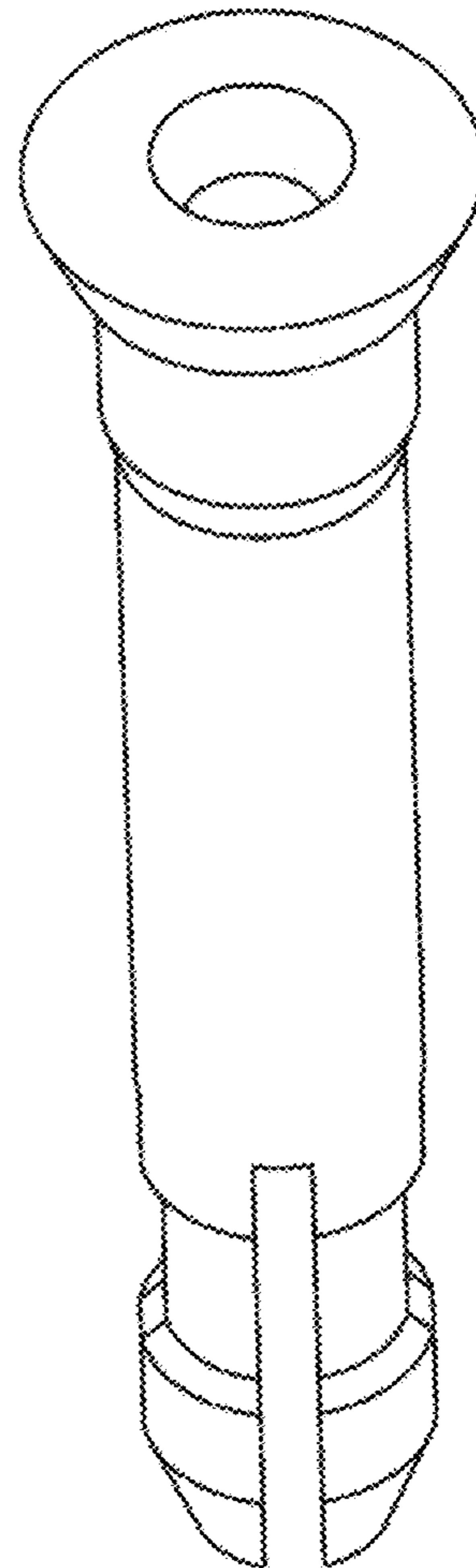
**DESCRIPTION**

**5.1** is a perspective view of a ventilation valve showing our new design;  
**5.2** is a side view thereof;  
**5.3** is another perspective view thereof; and  
**5.4** is a top view thereof.  
The broken lines in the drawings depict portions of the ventilation valve that form no part of the claimed design.

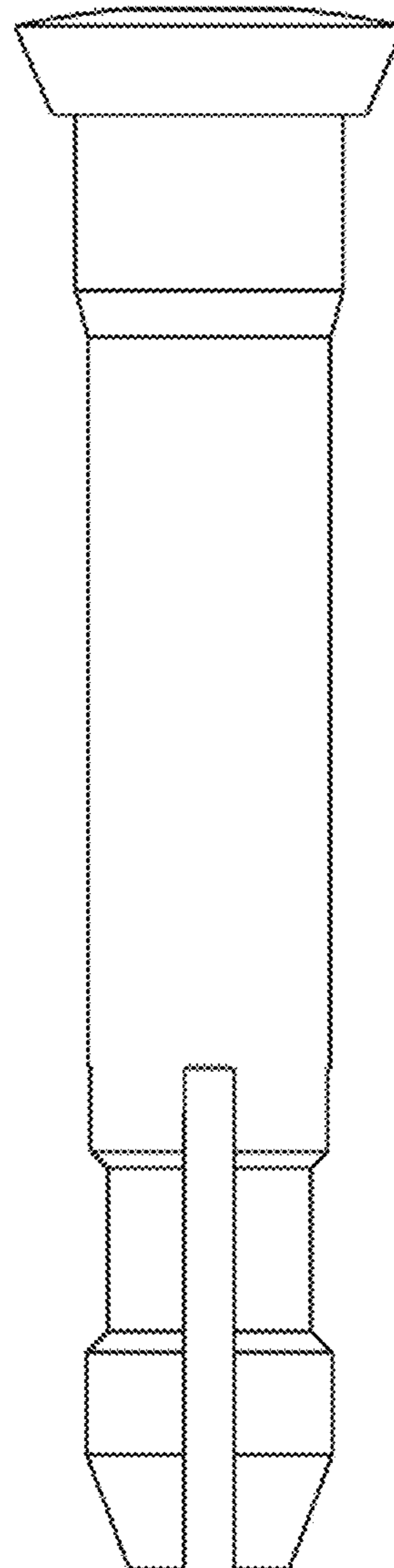
**1 Claim, 4 Drawing Sheets**



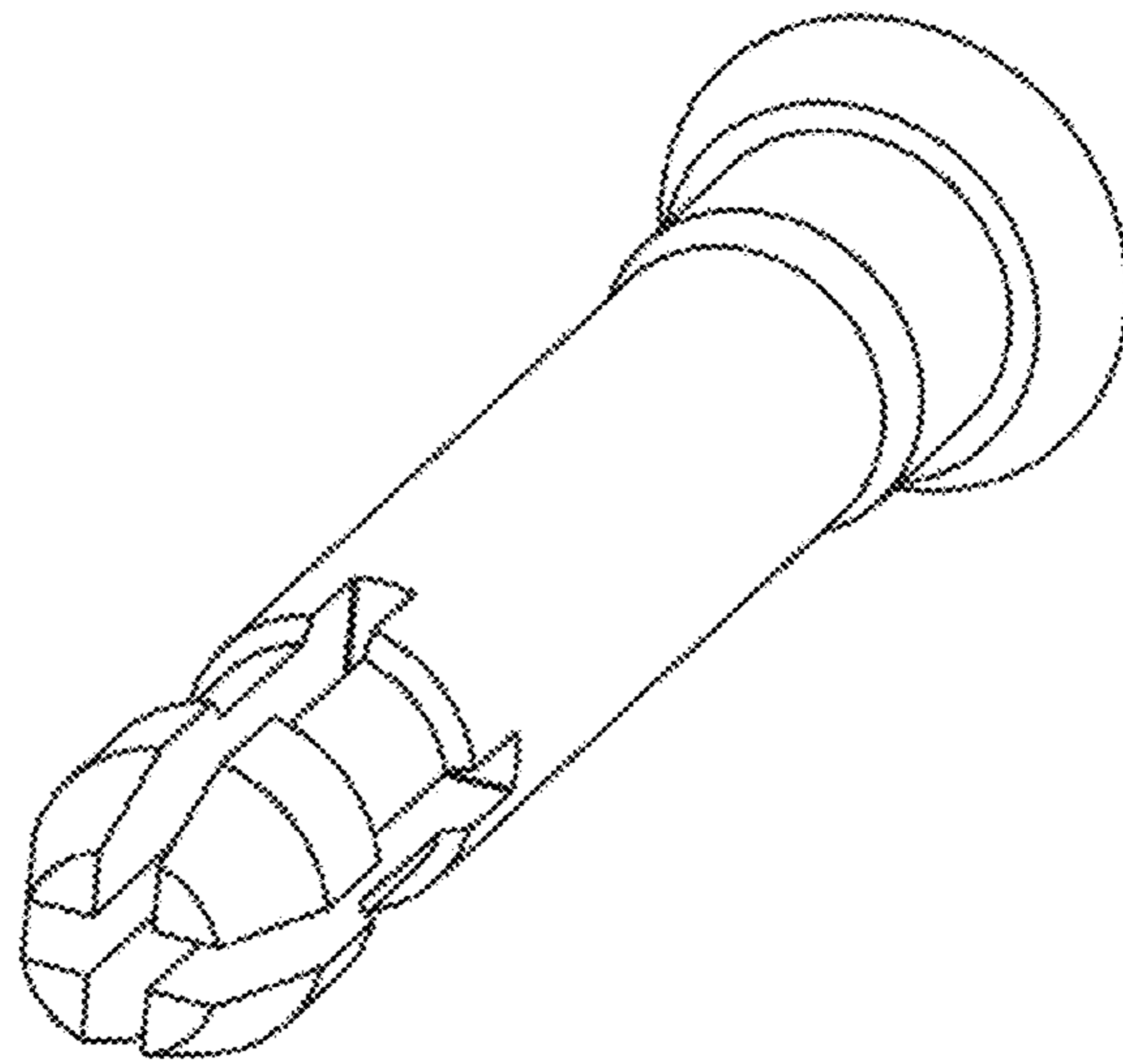
5.1



5.2



5.3



5.4

