



US00D981533S

(12) **United States Design Patent**  
**Chintakrindi**

(10) **Patent No.:** **US D981,533 S**

(45) **Date of Patent:** **\*\* Mar. 21, 2023**

(54) **FLUID DISTRIBUTION EQUIPMENT**

(71) Applicant: **Parahsakthy Power Technologies Private Limited**, Kusaiguda (IN)

(72) Inventor: **Jagan Mohan Rao Chintakrindi**, Kusaiguda (IN)

(\*\*) Term: **15 Years**

(21) Appl. No.: **29/758,567**

(22) Filed: **Nov. 17, 2020**

(51) **LOC (14) Cl.** ..... **23-01**

(52) **U.S. Cl.**  
USPC ..... **D23/214**

(58) **Field of Classification Search**  
USPC ..... D23/213, 214, 215, 223, 224, 226, 229,  
D23/230

CPC ..... A61H 9/0021; A61H 33/00; B05B 1/00;  
B05B 1/14; B05B 1/185; B05B 1/08;  
B05B 1/02; B05B 1/26; B05B 12/002;  
B05B 1/18; B05B 9/01

See application file for complete search history.

(56) **References Cited**

**U.S. PATENT DOCUMENTS**

D388,502 S *	12/1997	Kah, III	.....	D23/214
6,537,455 B2 *	3/2003	Farley	.....	C02F 1/003 210/251
D503,463 S *	3/2005	Hughes	.....	D23/213
D559,945 S *	1/2008	Patterson	.....	D23/213
D564,621 S *	3/2008	Lammel	.....	D23/223
D578,181 S *	10/2008	Pan	.....	D23/213
D578,604 S *	10/2008	Wu	.....	D23/223
D581,014 S *	11/2008	Quinn	.....	D23/223
D610,651 S *	2/2010	Wu	.....	D23/223
7,866,576 B1 *	1/2011	Farley	.....	E03C 1/0409 239/553
D634,810 S *	3/2011	Yoo	.....	D23/213
D659,796 S *	5/2012	Farley	.....	D23/223
D659,797 S *	5/2012	Farley	.....	D23/223

D666,010 S *	8/2012	Farley	.....	D6/309
D680,619 S *	4/2013	Zhadanov	.....	D23/223
D681,776 S *	5/2013	Cutler	.....	D23/223
D701,288 S *	3/2014	Andrew	.....	D23/213
D701,289 S *	3/2014	Andrew	.....	D23/213
D701,586 S *	3/2014	Andrew	.....	D23/213
D701,587 S *	3/2014	Andrew	.....	D23/213

(Continued)

**OTHER PUBLICATIONS**

4 Way Brass Garden Hose Splitter, May 8, 2021, amazon.ca, Oct. 13, 2022, URL:https://www.amazon.ca/Splitter-Switcher-Connector-Shut-Off-Irrigation/dp/B094FSLSJ8/ (Year: 2021).\*

(Continued)

*Primary Examiner* — Keith J Wilson

(74) *Attorney, Agent, or Firm* — Rumit Ranjit Kanakia

(57) **CLAIM**

The ornamental design for a fluid distribution equipment, as shown and described.

**DESCRIPTION**

FIG. 1 is a perspective view of a fluid distribution equipment showing my new design;

FIG. 2 is a top view thereof;

FIG. 3 is a bottom view thereof;

FIG. 4 is a front view thereof;

FIG. 5 is a back view thereof;

FIG. 6 is a left-side view thereof;

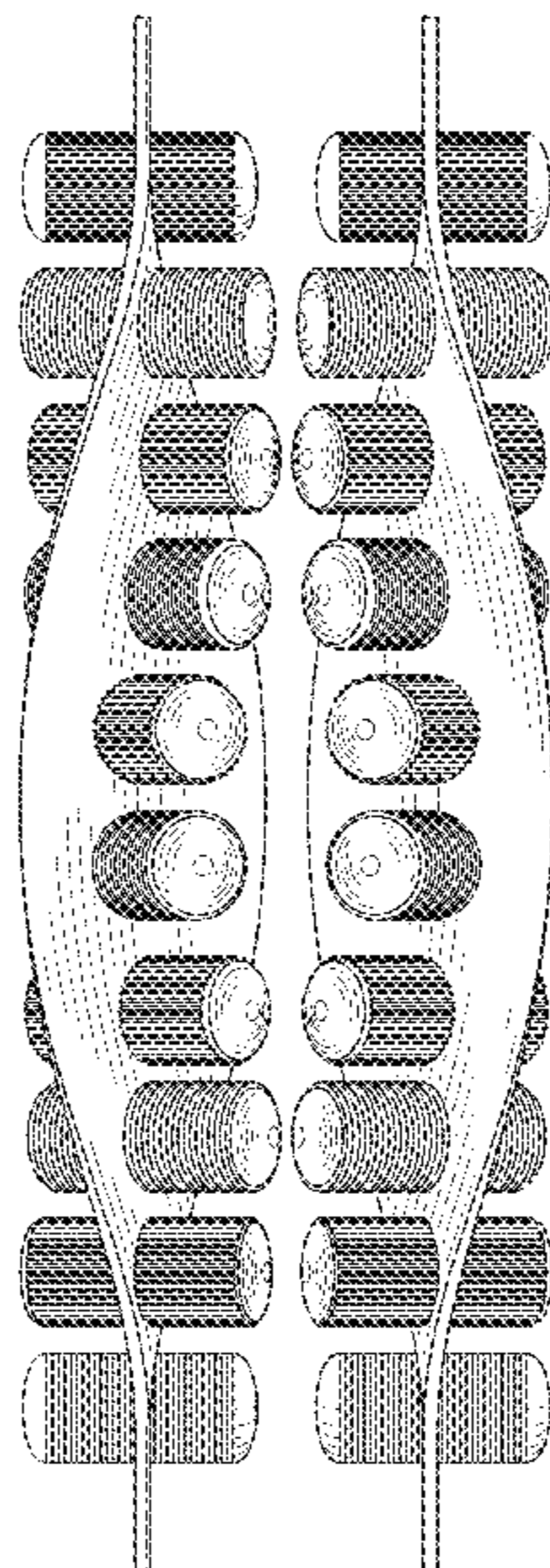
FIG. 7 is a right-side view thereof;

FIG. 8 is a partial sectional view of an exemplary configuration of the fluid distribution equipment; and,

FIG. 9 is a sectional view of the exemplary configuration of the fluid distribution equipment.

The broken lines in the drawings depict portions of the fluid distribution equipment and environment that form no part of the claimed design.

**1 Claim, 4 Drawing Sheets**



(56)

References Cited

U.S. PATENT DOCUMENTS

D701,940 S \* 4/2014 Andrew ..... D23/213  
 D701,941 S \* 4/2014 Andrew ..... D23/213  
 D744,065 S \* 11/2015 Peterson ..... D23/223  
 D744,611 S \* 12/2015 Quinn ..... D23/223  
 D755,346 S \* 5/2016 Yan ..... D23/223  
 9,404,243 B2 \* 8/2016 Cacka ..... B05B 1/1654  
 D779,039 S \* 2/2017 Hanna ..... D23/223  
 D791,913 S \* 7/2017 Andrew ..... D23/213  
 9,764,339 B2 \* 9/2017 Yu ..... B05B 1/18  
 D803,981 S \* 11/2017 Thurgood ..... D23/223  
 D810,861 S \* 2/2018 Weaver ..... D23/213  
 D820,949 S \* 6/2018 Reinecker ..... D23/213  
 D832,975 S \* 11/2018 Garuti ..... D23/213  
 D842,967 S \* 3/2019 Farley ..... D23/213  
 D843,549 S \* 3/2019 Thurgood ..... D23/223  
 10,234,054 B1 \* 3/2019 Yang ..... F16K 31/52408  
 D857,842 S \* 8/2019 Yu ..... D23/213  
 10,449,558 B2 \* 10/2019 Thurgood ..... B05B 1/205

D912,203 S \* 3/2021 Andersen ..... C10J 3/845  
 D23/213  
 D912,221 S \* 3/2021 Bayless ..... D23/266  
 D921,833 S \* 6/2021 Probst ..... D23/209  
 D940,270 S \* 1/2022 Hillinger ..... D23/214  
 D956,178 S \* 6/2022 Lin ..... D23/214  
 D960,303 S \* 8/2022 Beckman ..... D23/213  
 D963,109 S \* 9/2022 Michael ..... D23/214  
 2012/0031511 A1 \* 2/2012 Farley ..... E03C 1/0408  
 137/544  
 2019/0091715 A1 \* 3/2019 Mercado ..... B05B 1/185  
 2020/0061640 A1 \* 2/2020 Hillinger ..... B05B 1/14

OTHER PUBLICATIONS

Garden Hose Splitter 4 Way Hose Valve, Jul. 24, 2020, amazon.ca, Oct. 13, 2022, URL: <https://www.amazon.ca/dp/B08DKBV1NJ/> (Year: 2020).\*

\* cited by examiner

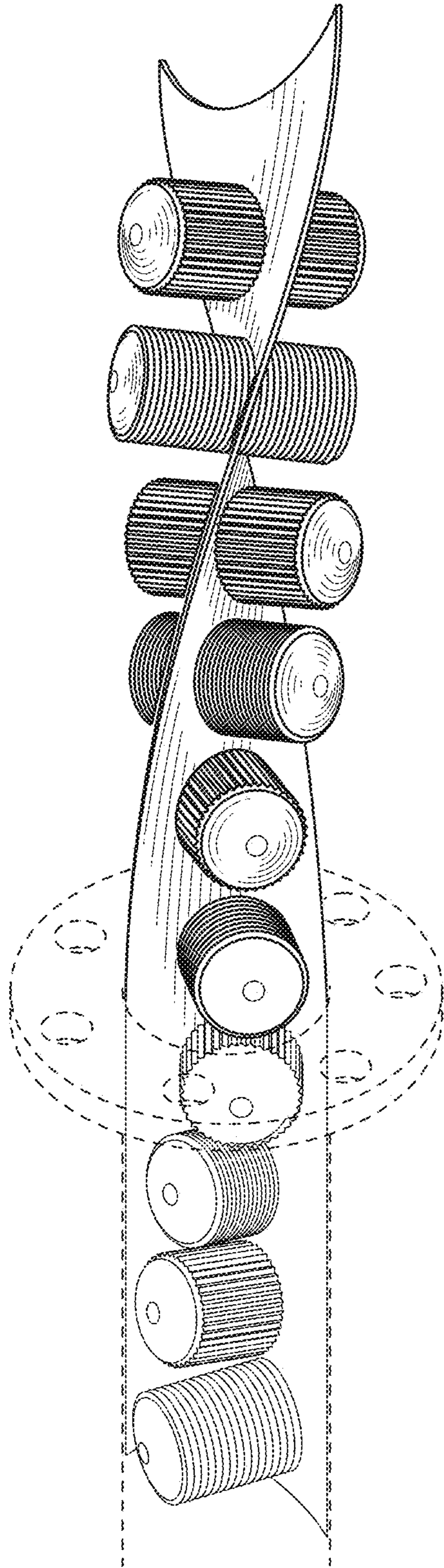


FIG. 1

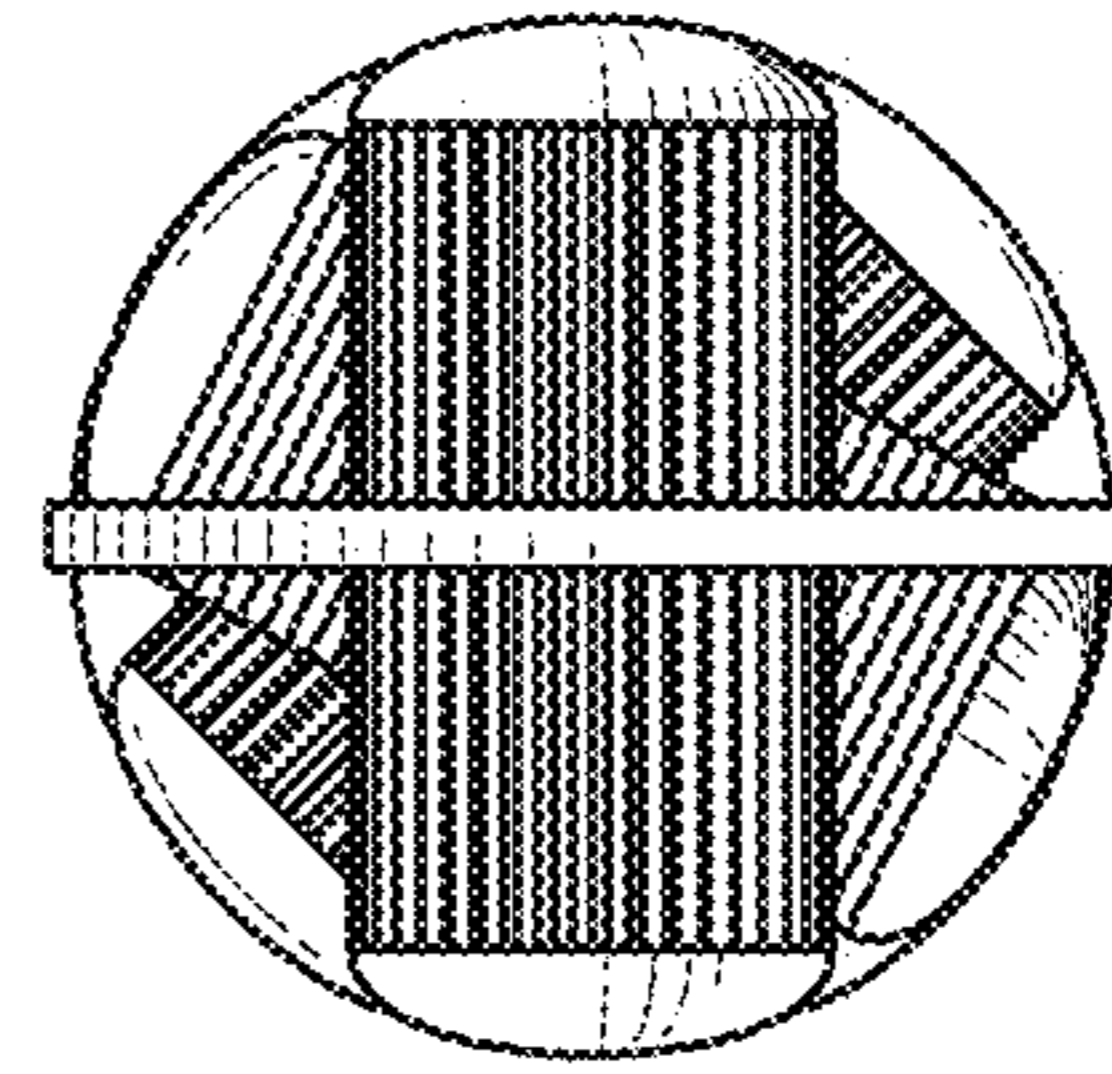


FIG. 2

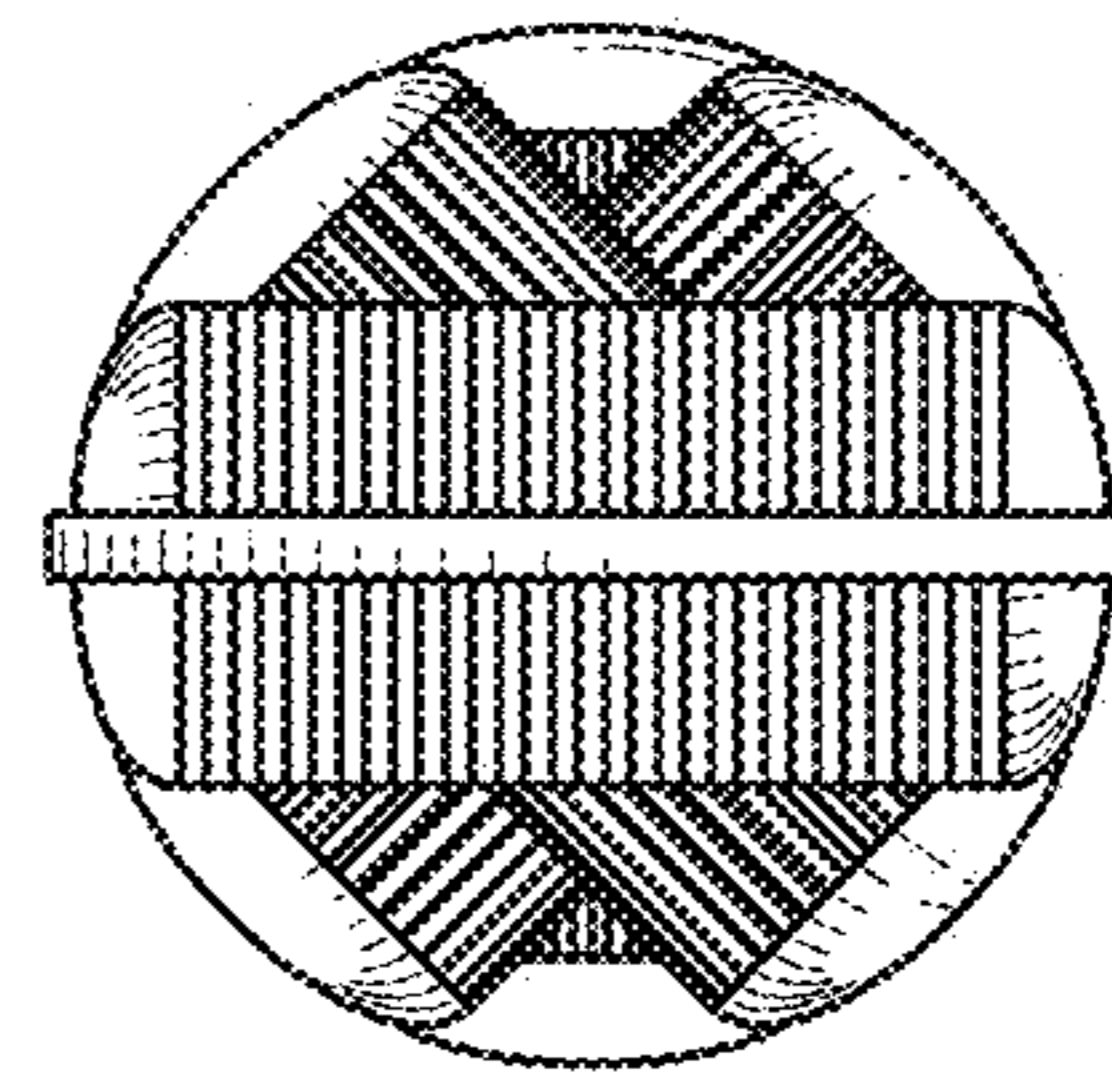


FIG. 3

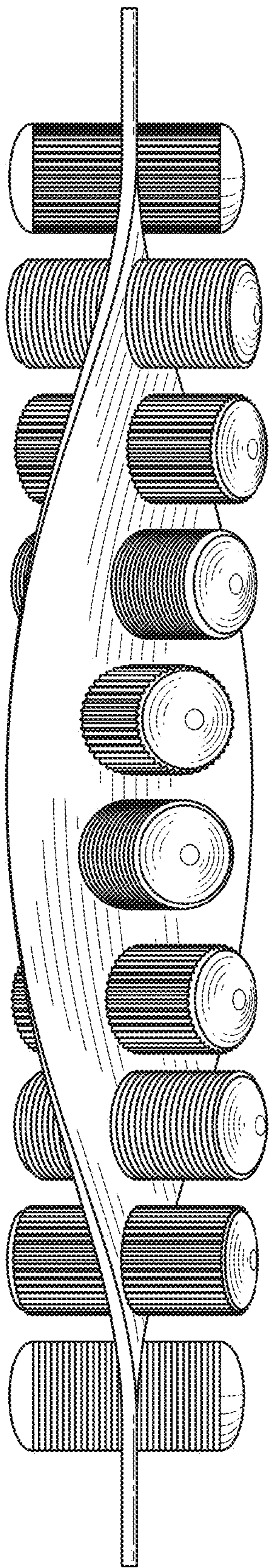


FIG. 4

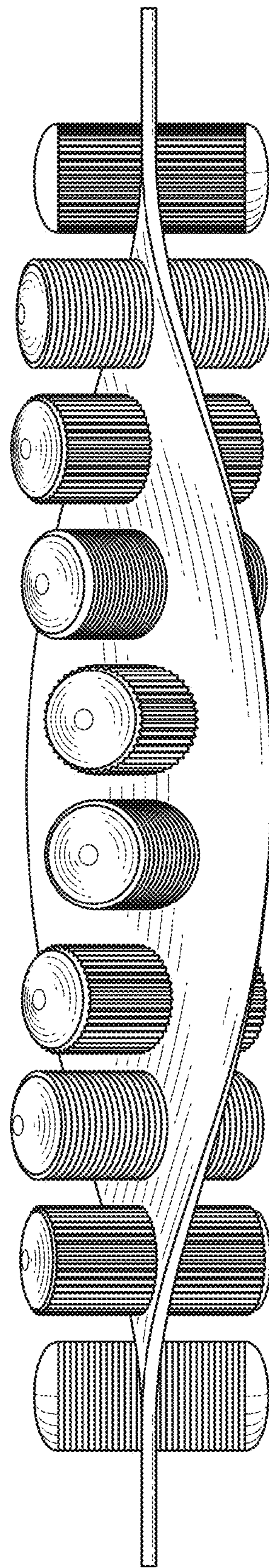


FIG. 5

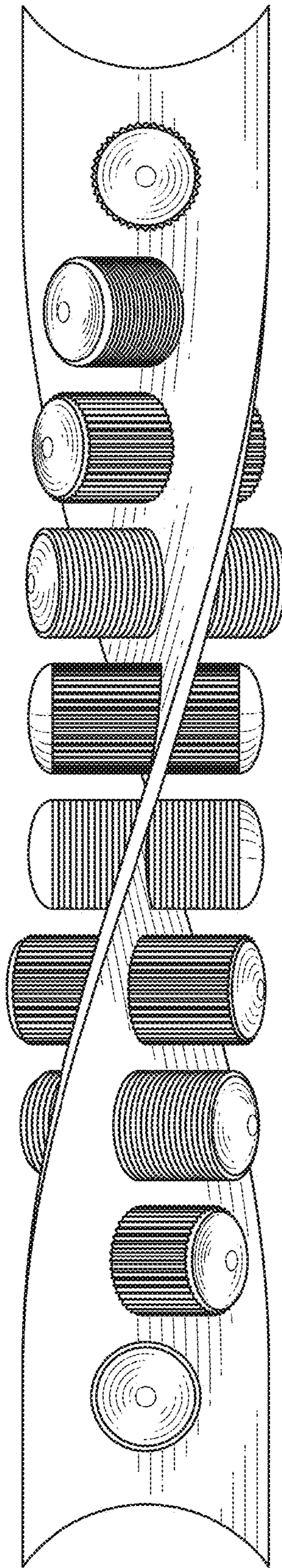


FIG. 6

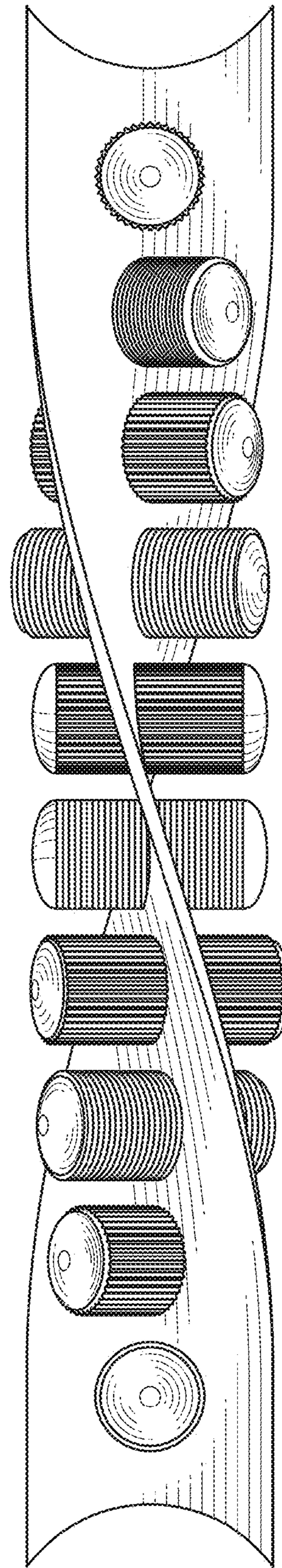


FIG. 7

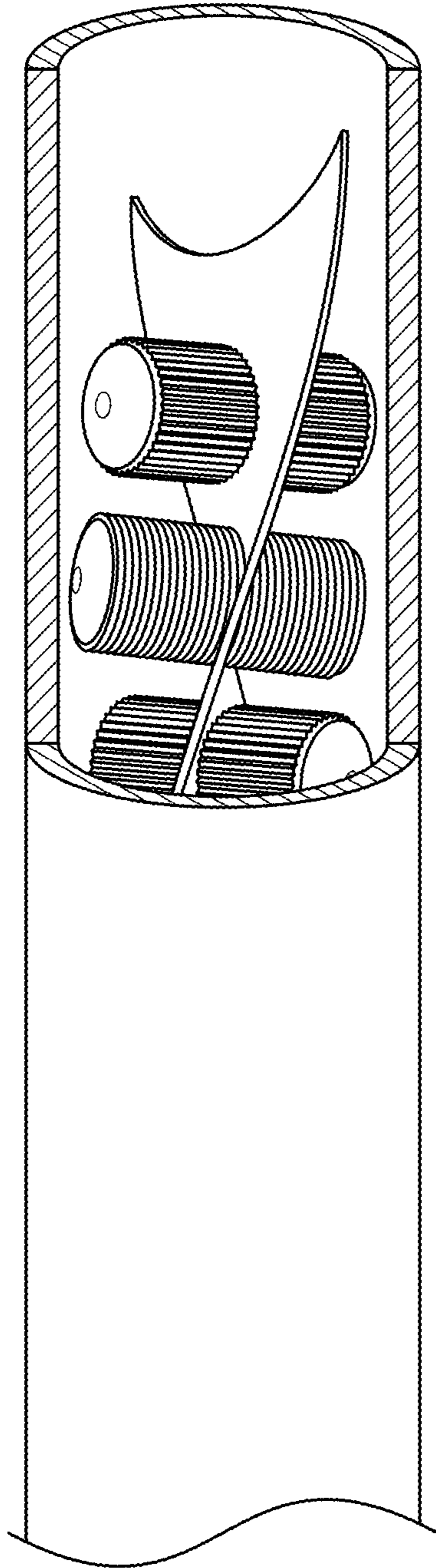


FIG. 8

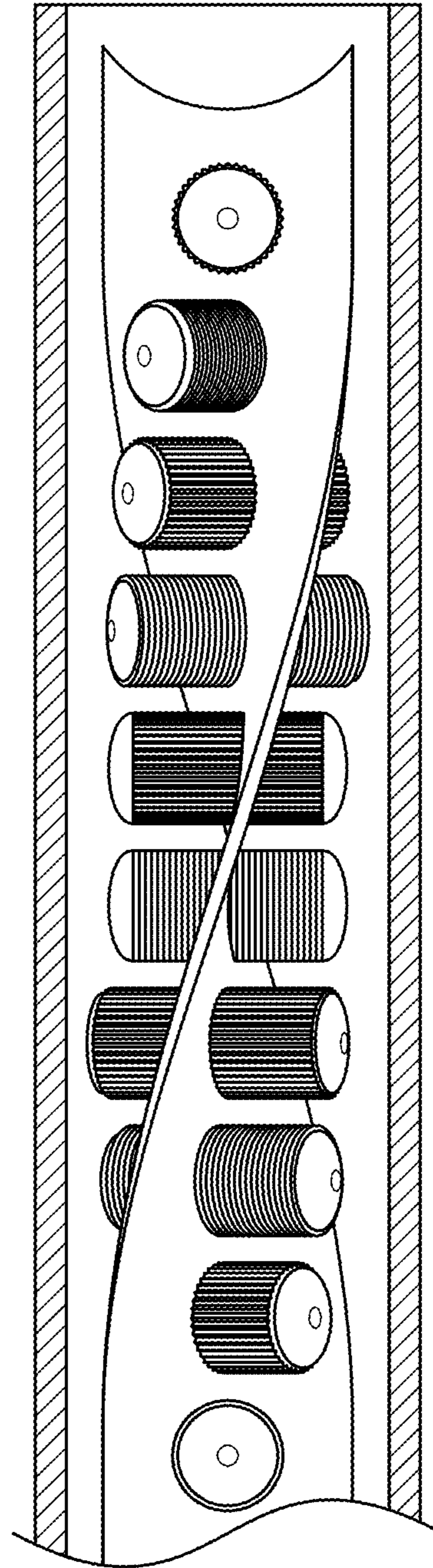


FIG. 9