



US00D981531S

(12) **United States Design Patent**
Mercado Abadines

(10) **Patent No.: US D981,531 S**
(45) **Date of Patent: ** Mar. 21, 2023**

(54) **WATER FILTER**
(71) Applicants: **LANG Beverages SA**, Zug (CH);
Laboratorium Media AG, Zurich (CH)
(72) Inventor: **Buddy Mercado Abadines**, Calamba
(PH)

(**) Term: **15 Years**

(21) Appl. No.: **35/512,616**

(22) Filed: **Mar. 24, 2021**

(80) **Hague Agreement Data**

Int. Filing Date: **Mar. 24, 2021**
Int. Reg. No.: **DM/213473**
Int. Reg. Date: **Mar. 24, 2021**
Int. Reg. Pub. Date: **Sep. 24, 2021**

(51) **LOC (14) Cl.** **23-01**

(52) **U.S. Cl.**
USPC **D23/209**

(58) **Field of Classification Search**
USPC D23/207, 208, 209, 355, 362, 363, 364,
D23/365, 366; D7/306, 307, 311, 312
CPC B01D 27/00; B01D 27/08; B01D 35/306;
B01D 35/34; B01D 61/08; B01D 61/081;
B01D 2201/29; B01D 2201/291; B01D
2201/4015; B01D 2221/02; C02F 1/003;
C02F 9/005; C02F 2307/10
See application file for complete search history.

(56) **References Cited**

U.S. PATENT DOCUMENTS

D282,282 S * 1/1986 Chernack D24/117
4,806,240 A * 2/1989 Giordano B01D 27/08
210/232
D307,173 S * 4/1990 Boehnke D23/209
D322,124 S * 12/1991 Lichte D24/117
5,919,362 A * 7/1999 Barnes B01D 35/30
210/441
6,048,454 A * 4/2000 Jenkins B01D 35/306
210/441

D555,225 S * 11/2007 McCormack D23/209
7,578,936 B2 * 8/2009 Gaignet B01D 35/306
210/232
D767,712 S * 9/2016 Huda D23/207
D792,940 S * 7/2017 Reckin D23/209
D795,390 S * 8/2017 Huda B01D 35/30
D23/209
D818,083 S * 5/2018 Dishman D23/209
2007/0163930 A1 * 7/2007 Brown B01D 61/58
210/257.2
2009/0301975 A1 * 12/2009 Timmer C02F 9/005
210/446

(Continued)

OTHER PUBLICATIONS

Brita Purity C Head, Nov. 8, 2013, Amazon, site visited Sep. 21,
2022: <https://www.amazon.co.uk/dp/B00GJR5NNW/> (Year: 2013).*

(Continued)

Primary Examiner — Jack Reickel
Assistant Examiner — Bobby W Jones, II

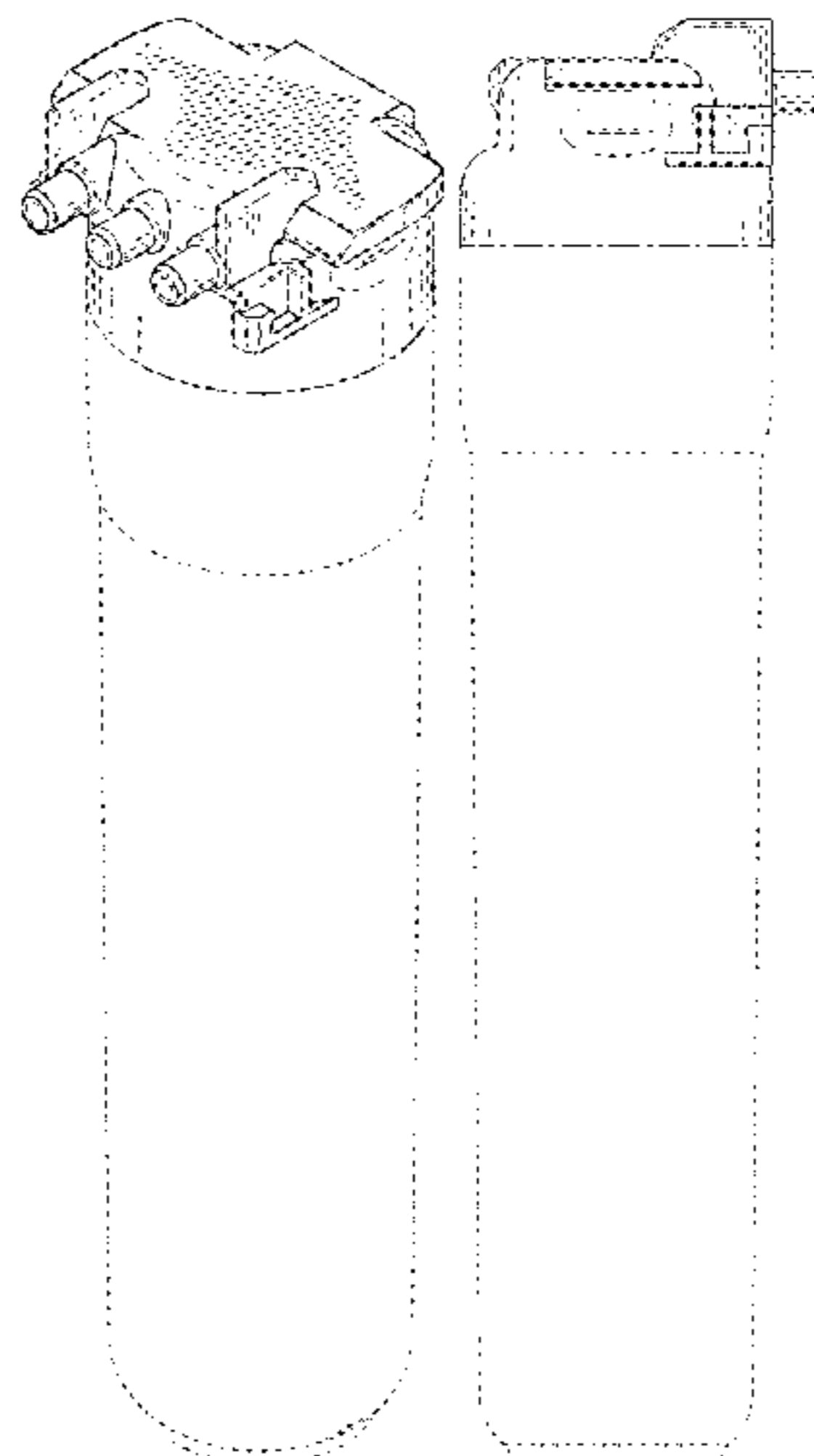
(57) **CLAIM**

The ornamental design for a water filter, as shown and described.

DESCRIPTION

FIG. 1.1 is a perspective view of a water filter showing the new design;
FIG. 1.2 is a front view thereof;
FIG. 1.3 is a back view thereof;
FIG. 1.4 is a left side view thereof;
FIG. 1.5 is a right side view thereof;
FIG. 1.6 is a top view thereof; and
FIG. 1.7 is a bottom view thereof.
The evenly-dashed broken lines shown in the figures are included for the purpose of illustrating portions of the water filter and form no part of the claimed design. The dot-dash broken lines define the bounds of the claimed design and form no part thereof.

1 Claim, 7 Drawing Sheets



(56)

References Cited

U.S. PATENT DOCUMENTS

2010/0307965 A1* 12/2010 Volker B01D 61/08
210/232
2011/0147297 A1* 6/2011 Core B01D 35/30
210/232
2015/0101970 A1* 4/2015 Lin B01D 35/30
55/420
2017/0266589 A1* 9/2017 Chen C02F 1/283
2017/0312665 A1* 11/2017 Ritzka C02F 1/283
2018/0078884 A1* 3/2018 Joo B01D 35/30
2018/0214804 A1* 8/2018 Dishman F25D 23/126
2019/0039004 A1* 2/2019 Zhang B01D 35/303
2019/0040888 A1* 2/2019 Wang B01D 63/00
2020/0078716 A1* 3/2020 Völker B01D 63/02
2022/0220018 A1* 7/2022 Kim B01D 39/1692

OTHER PUBLICATIONS

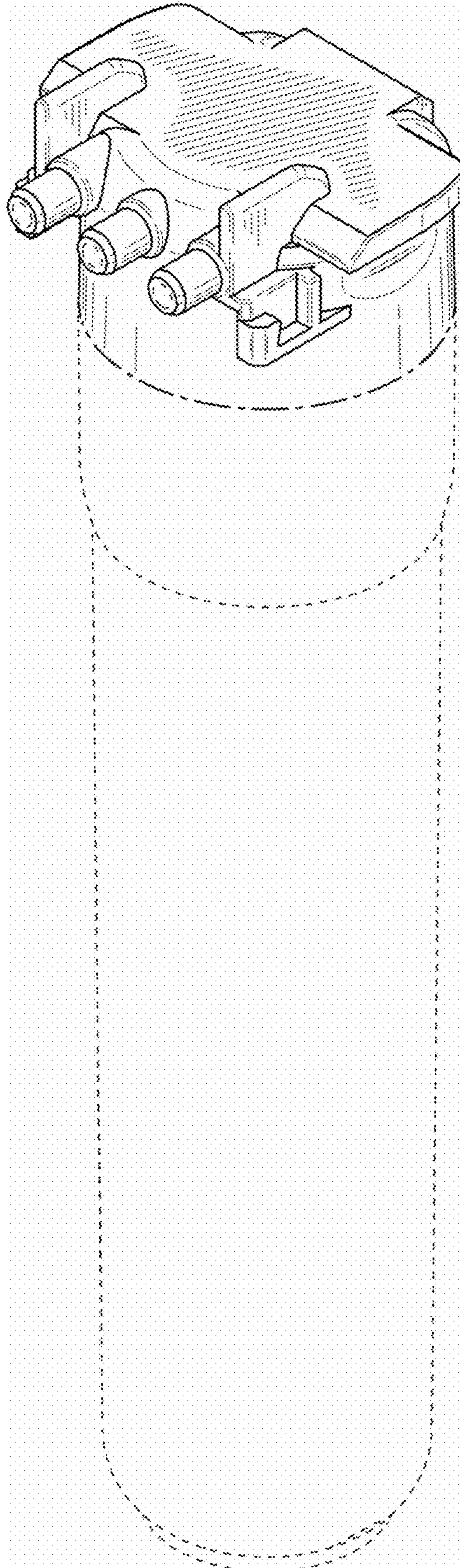
XtremepowerUS 10000L Pond Water Filter, Apr. 10, 2017, Amazon, site visited Sep. 21, 2022: <https://www.amazon.com/dp/B005FH34UQ/> (Year: 2017).*

Frigidaire ULTRAWF, Jun. 18, 2004, Amazon, site visited Sep. 21, 2022: <https://www.amazon.com/dp/B002JAKRAM/> (Year: 2004).*

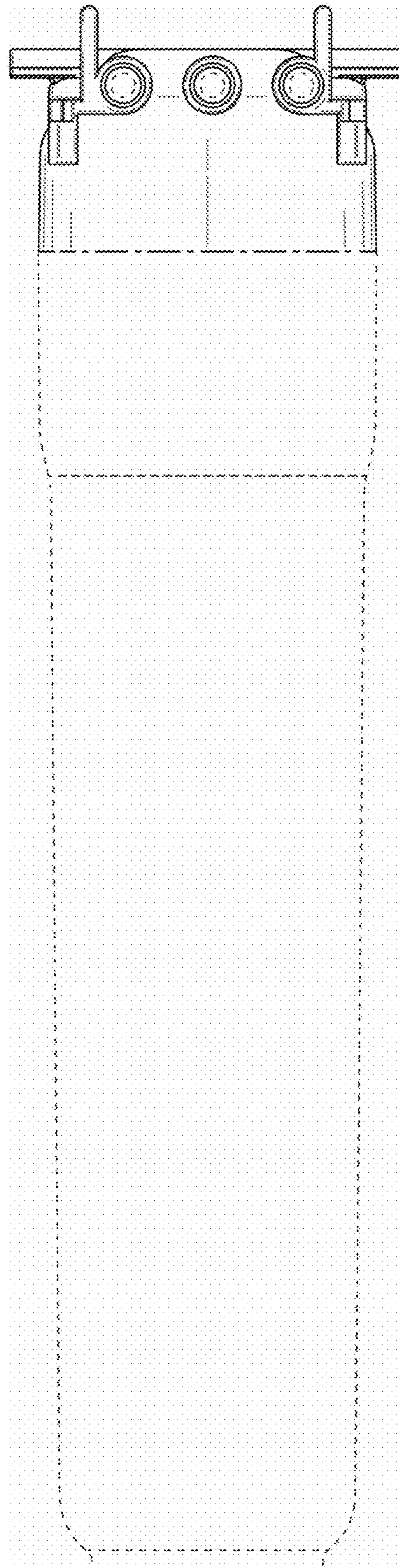
Support video TheWell filter change, Jan. 31, 2022, YouTube, site visited Sep. 21, 2022: <https://www.youtube.com/watch?v=39tfAmkbgc0> (Year: 2022).*

* cited by examiner

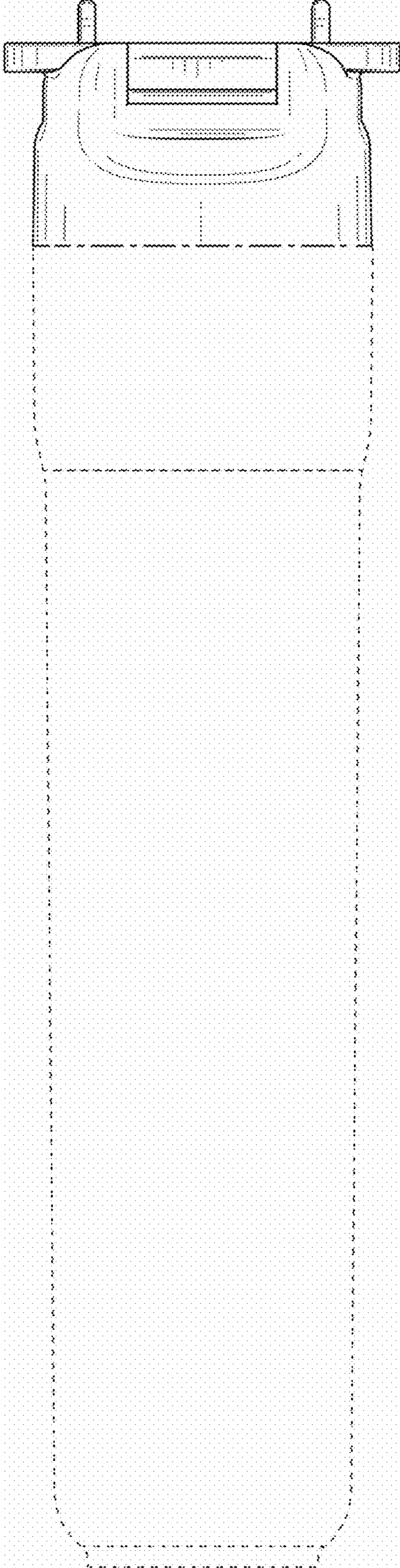
1.1



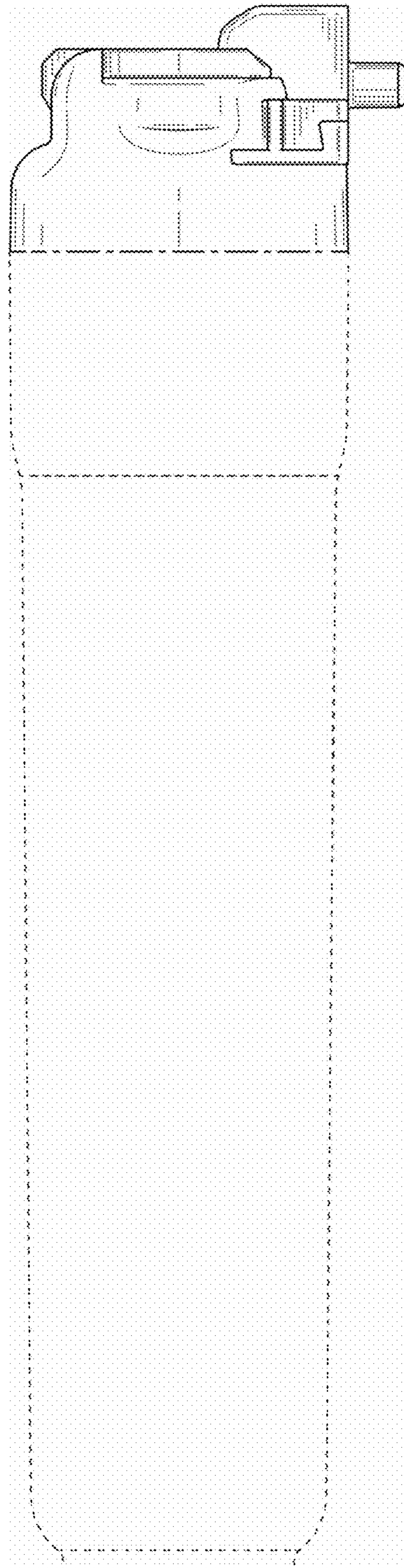
1.2



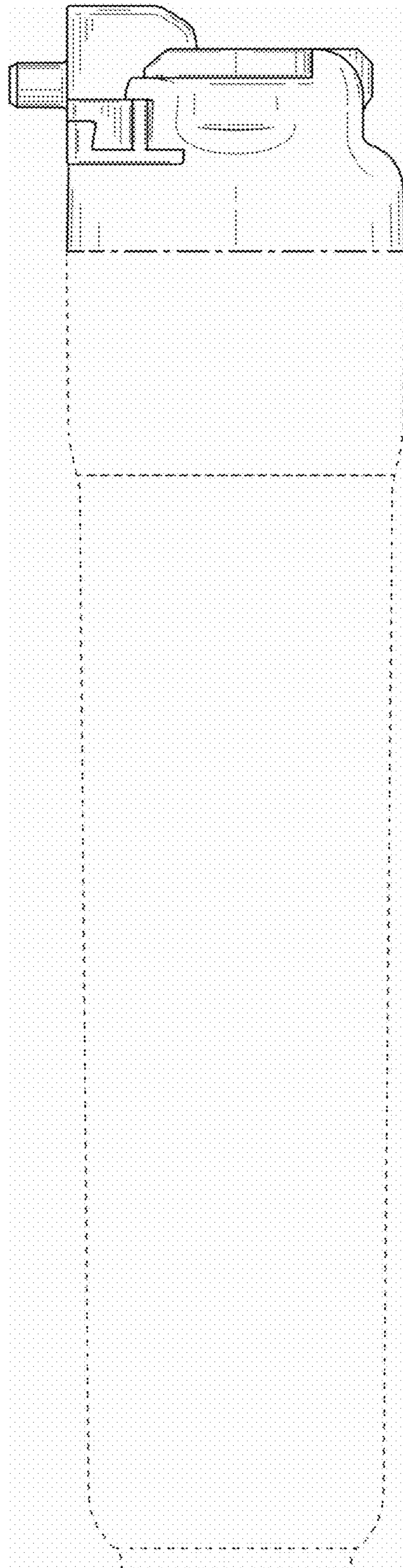
1.3



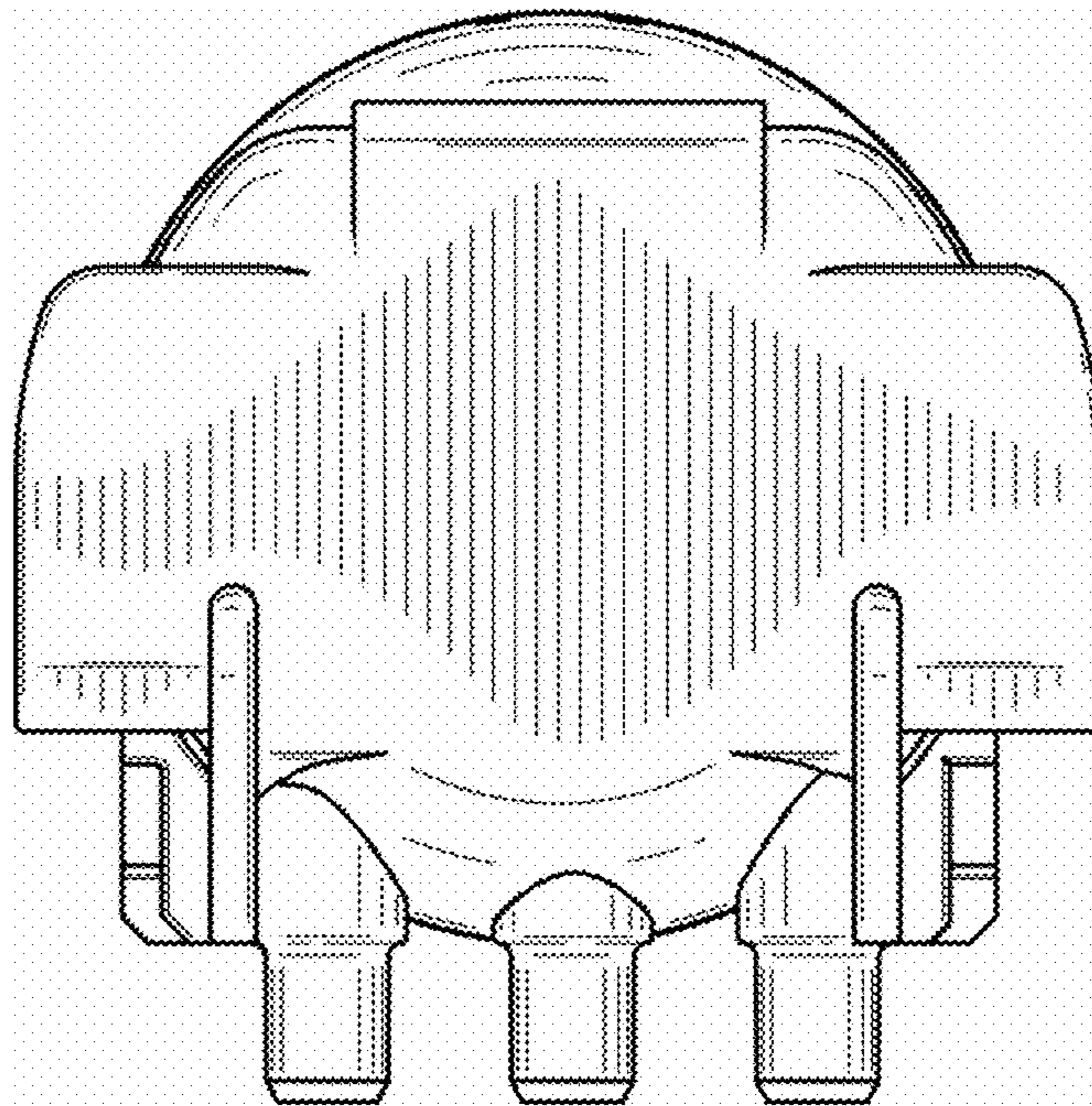
1.4



1.5



1.6



1.7

