



US00D981530S

(12) **United States Design Patent** (10) **Patent No.:** **US D981,530 S**
Li (45) **Date of Patent:** **** Mar. 21, 2023**

(54) **WATER PURIFIER**
(71) Applicant: **Shenzhen Chilong Industrial Co., Ltd.**, Shenzhen (CN)
(72) Inventor: **Xiaowen Li**, Shenzhen (CN)
(**) Term: **15 Years**
(21) Appl. No.: **29/805,299**
(22) Filed: **Aug. 26, 2021**
(51) **LOC (14) Cl.** **23-01**
(52) **U.S. Cl.**
USPC **D23/207**
(58) **Field of Classification Search**
USPC D23/207, 208, 209, 238, 248, 249, 255,
D23/355, 362, 363, 364, 365, 366;
D7/306, 307, 311, 312
CPC B01D 27/00; B01D 27/08; B01D 35/306;
B01D 35/34; B01D 61/08; B01D 61/081;
B01D 2201/29; B01D 2201/291; B01D
2201/4015; B01D 2221/102; C02F 1/003;
C02F 9/005; C02F 2307/10
See application file for complete search history.

D719,643 S * 12/2014 Sedwick D23/249
D741,982 S 10/2015 Maeng
D757,230 S * 5/2016 Schoenherr D23/255
D767,723 S * 9/2016 Hong D23/238
D787,644 S * 5/2017 Hong D23/255
D797,898 S * 9/2017 Bennett D23/255
D799,642 S * 10/2017 Sieger D23/238
D799,644 S * 10/2017 Sieger D23/242
(Continued)

OTHER PUBLICATIONS

5 Gallon Water Dispenser, Jun. 16, 2022, Amazon, site visited Sep. 29, 2022: <https://www.amazon.com/dp/B0B46WL31K/?th=1> (Year: 2022).*
(Continued)

Primary Examiner — Jack Reickel
Assistant Examiner — Bobby W Jones, II
(74) *Attorney, Agent, or Firm* — Rumit Ranjit Kanakia

(57) **CLAIM**

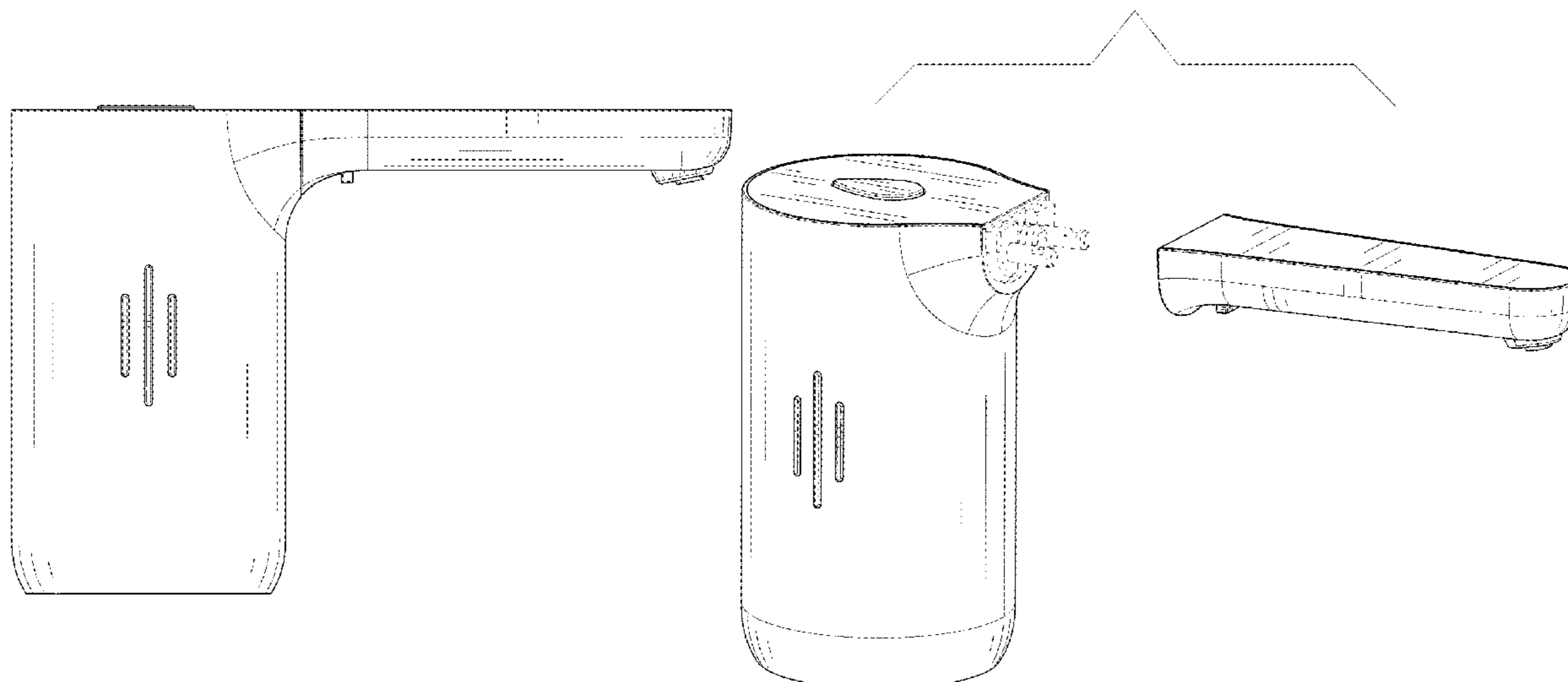
The ornamental design for a water purifier, as shown and described.

DESCRIPTION

FIG. 1 is a front elevational view of a water purifier showing my new design;
FIG. 2 is a rear elevational view thereof;
FIG. 3 is a left side view thereof;
FIG. 4 is a right side view thereof;
FIG. 5 is a top plan view thereof;
FIG. 6 is a bottom plan view thereof;
FIG. 7 is a perspective view thereof;
FIG. 8 is another perspective view thereof; and,
FIG. 9 is an exploded perspective view thereof.
The broken lines in the figures are for the purpose of illustrating portions of the water purifier, that form no part of the claimed design.

1 Claim, 9 Drawing Sheets

(56) **References Cited**
U.S. PATENT DOCUMENTS
5,989,425 A * 11/1999 Yonezawa F16K 11/056
210/282
D477,049 S 7/2003 Steinfels
D496,984 S 10/2004 Costa
D608,863 S * 1/2010 Pan D23/255
D635,651 S * 4/2011 Schoenherr D23/255
D637,271 S * 5/2011 Lin D23/238
D646,361 S * 10/2011 Flowers D23/250
D662,182 S * 6/2012 Thun D23/238
D667,533 S * 9/2012 Lammel D23/238
D669,154 S 10/2012 Choi
D678,979 S 3/2013 Liu
D718,414 S 11/2014 Lo
8,878,383 B2 * 11/2014 Kuroishi F16K 31/046
290/43



(56)

References Cited

U.S. PATENT DOCUMENTS

D822,154 S 7/2018 Lee
D840,500 S 2/2019 Moreau
10,214,885 B2 * 2/2019 Mielke H03K 17/962
D844,101 S 3/2019 Zheng
D855,778 S * 8/2019 Seum D23/255
D872,225 S 1/2020 Joo
D897,502 S * 9/2020 Kang D23/255
D916,500 S * 4/2021 Johnson D6/542
D920,385 S * 5/2021 Salim D15/7
D921,151 S * 6/2021 Cho D23/207
D951,396 S * 5/2022 Diefenbach D23/238
D951,401 S * 5/2022 Diefenbach D23/255
2017/0112329 A1 * 4/2017 Babikian A47K 5/1217
2021/0230015 A1 * 7/2021 Kang B01D 35/30

OTHER PUBLICATIONS

Water Dispenser 5 Gallon, Mar. 26, 2021, Amazon, site visited Sep. 29, 2022: <https://www.amazon.com/dp/B09152KHWF/?th=1> (Year: 2021).*

Portable Electric Water Dispenser, Nov. 12, 2020, Amazon, site visited Sep. 29, 2022: <https://www.amazon.com/dp/B08ML1VRGD/> (Year: 2020).*

* cited by examiner

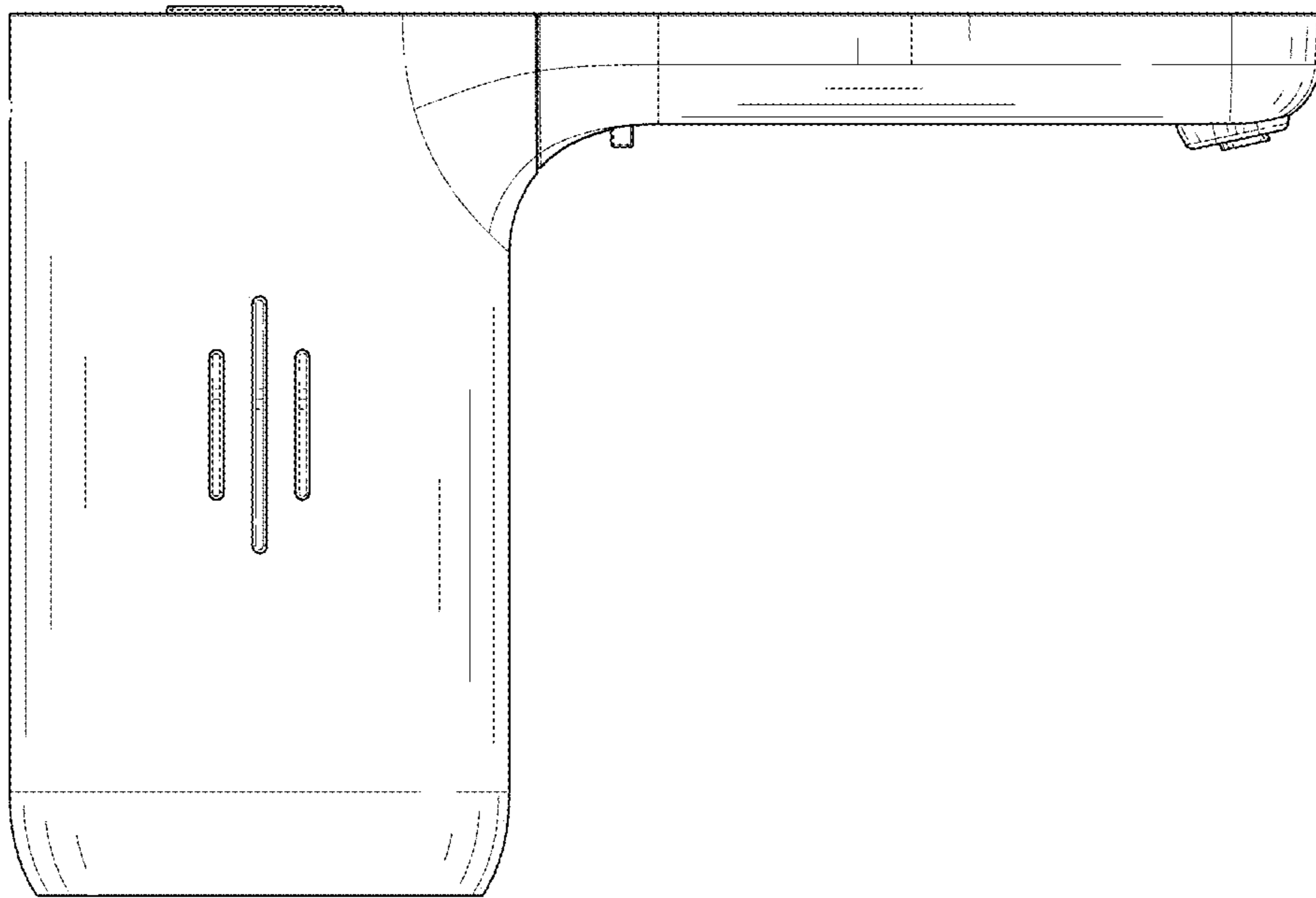


FIG. 1

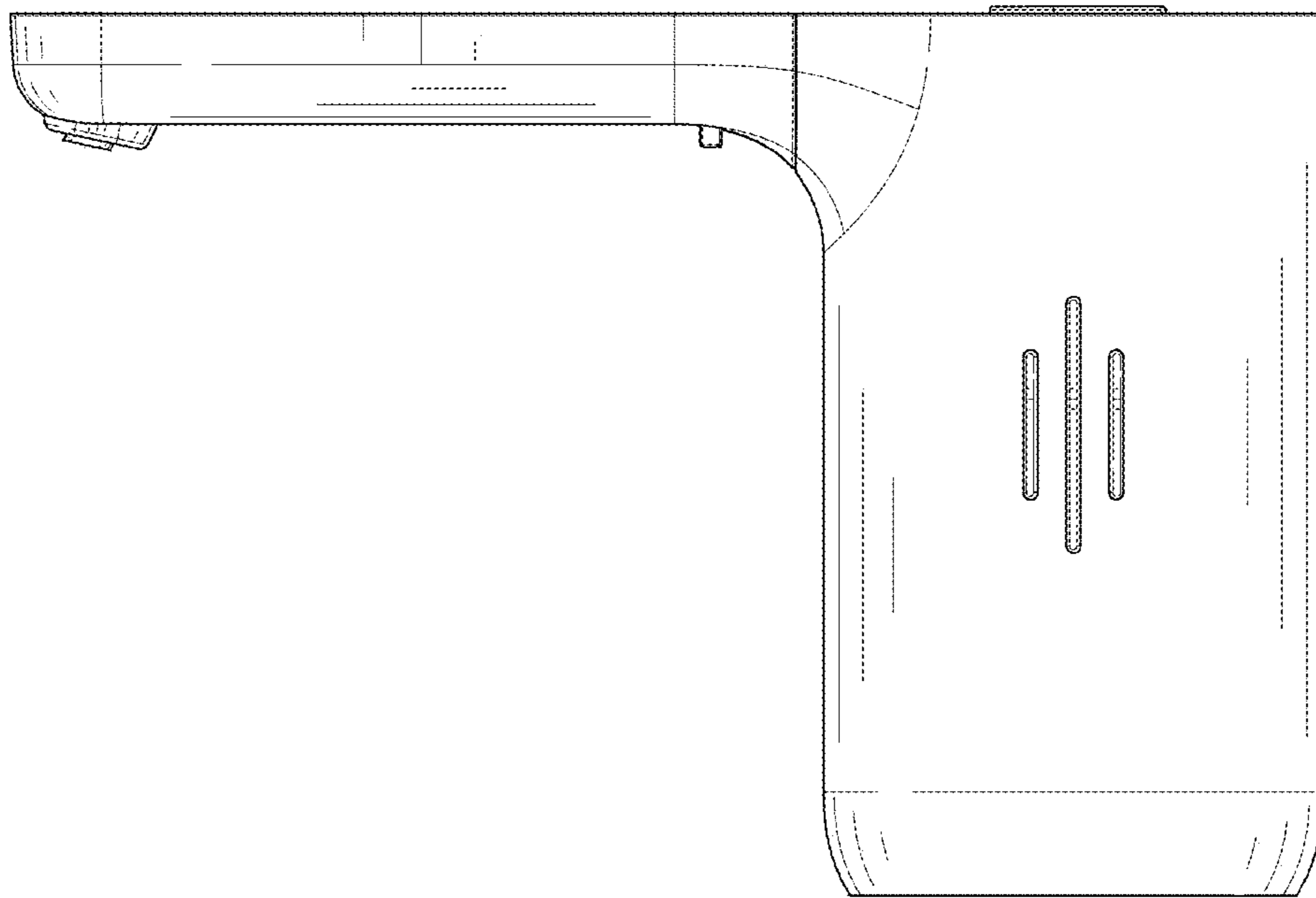


FIG. 2

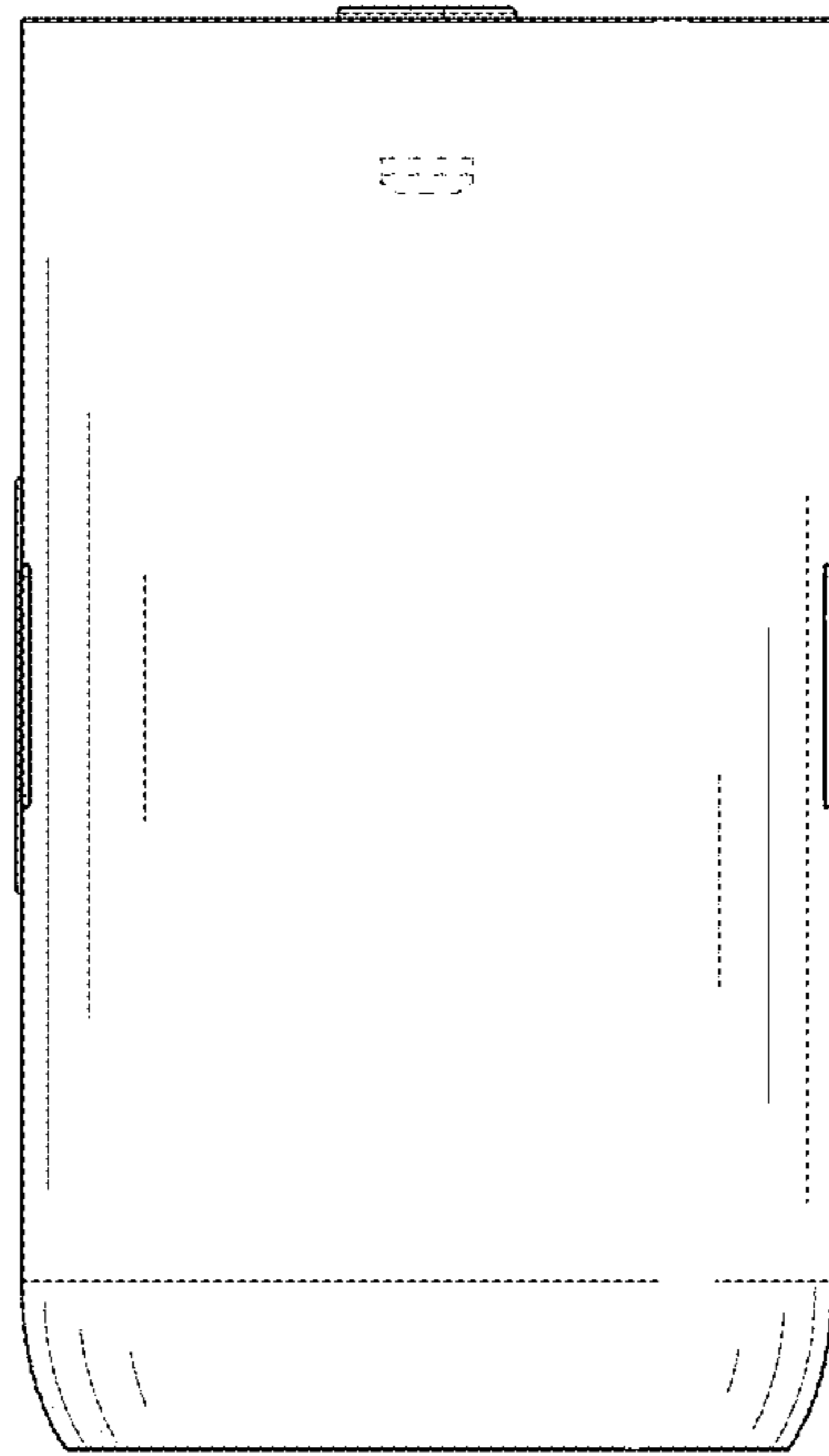


FIG. 3

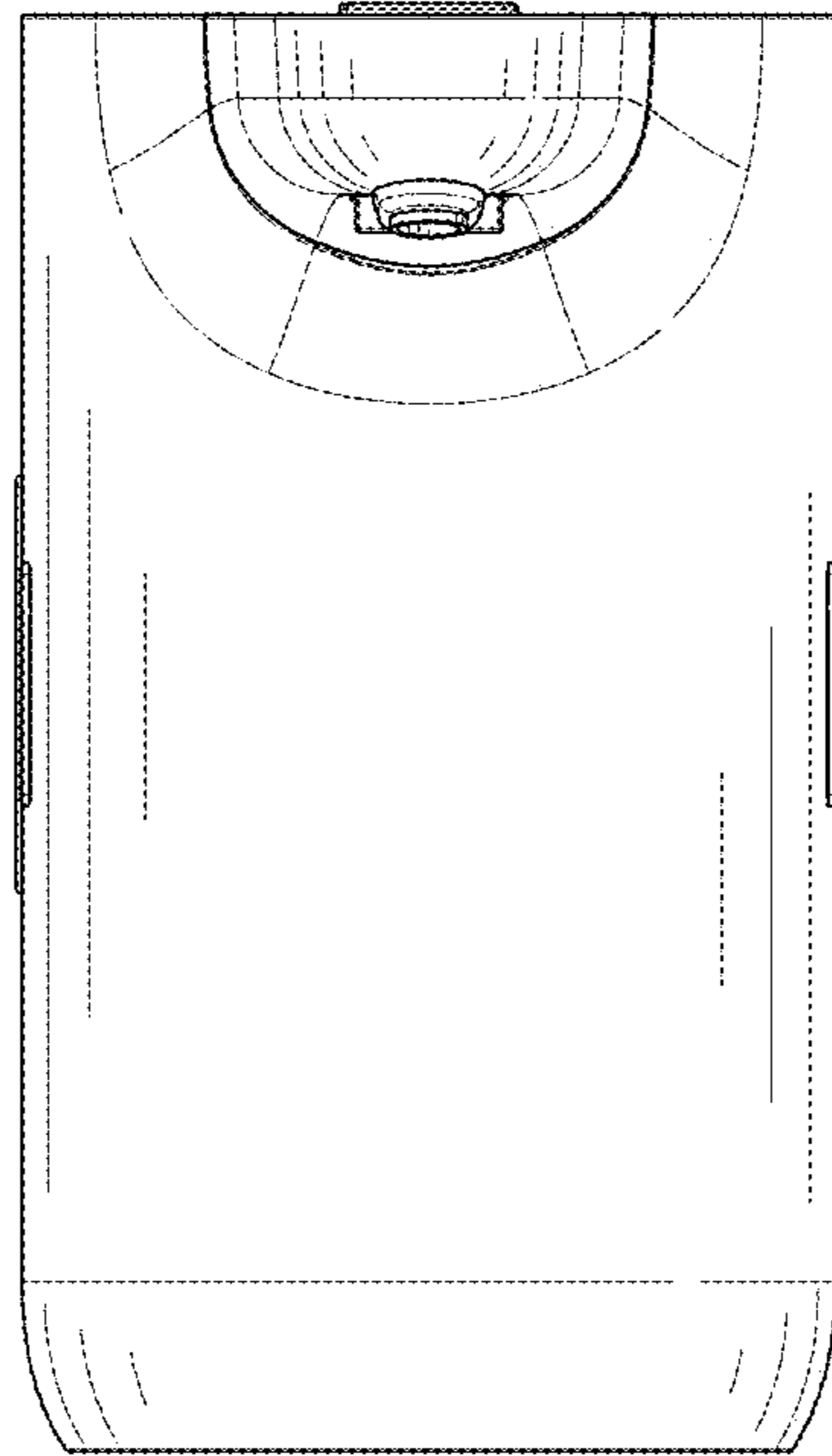


FIG. 4

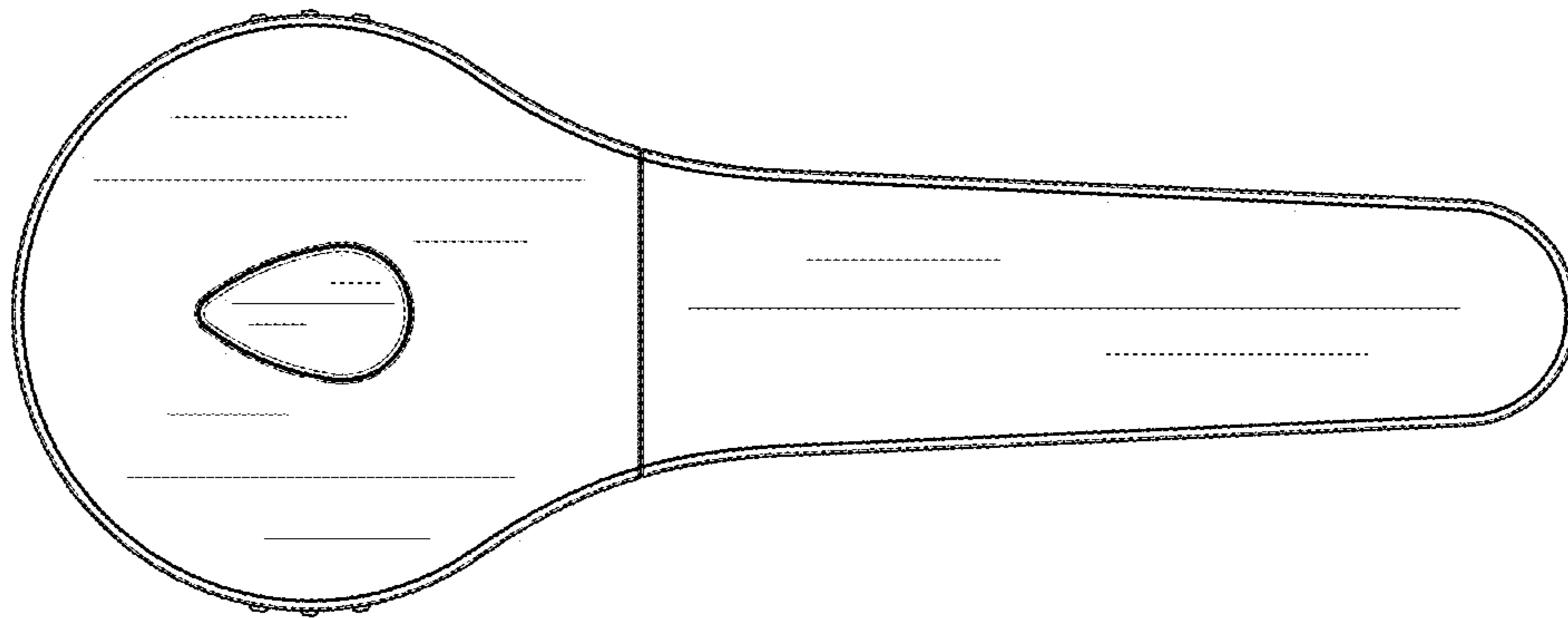


FIG. 5

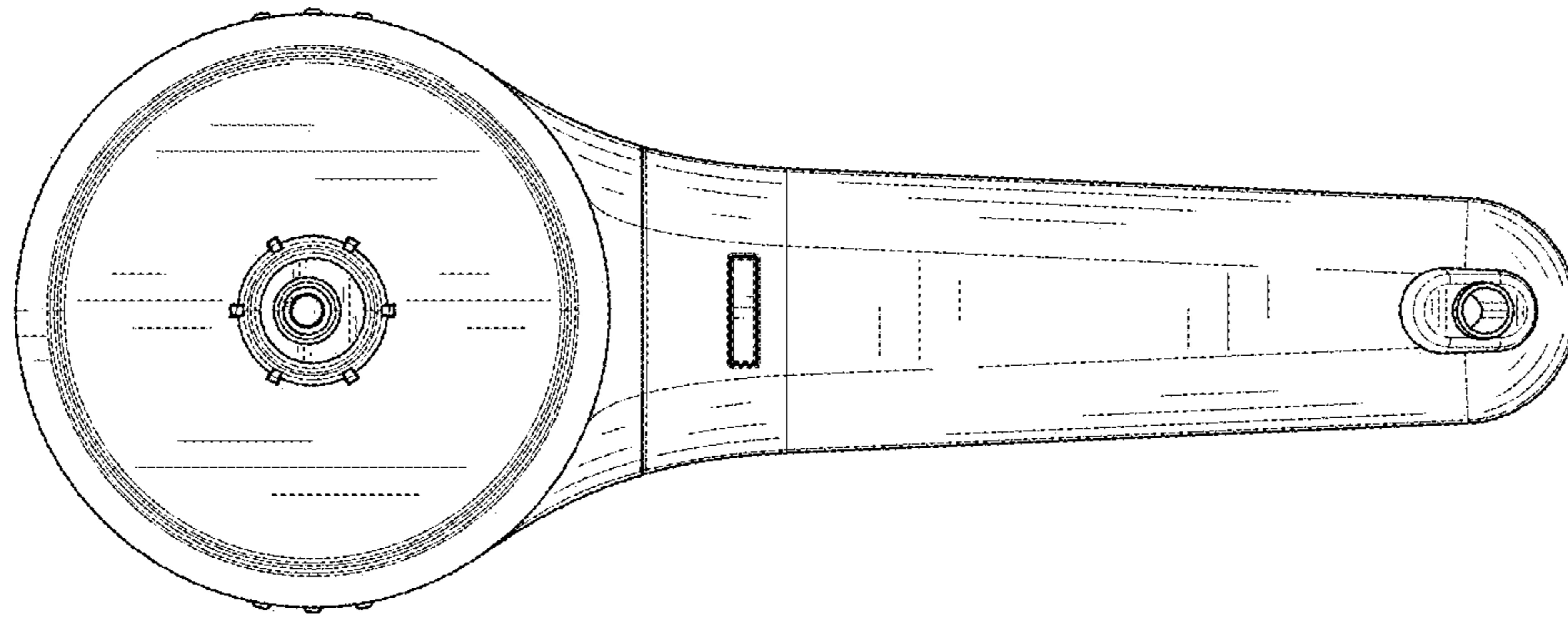


FIG. 6

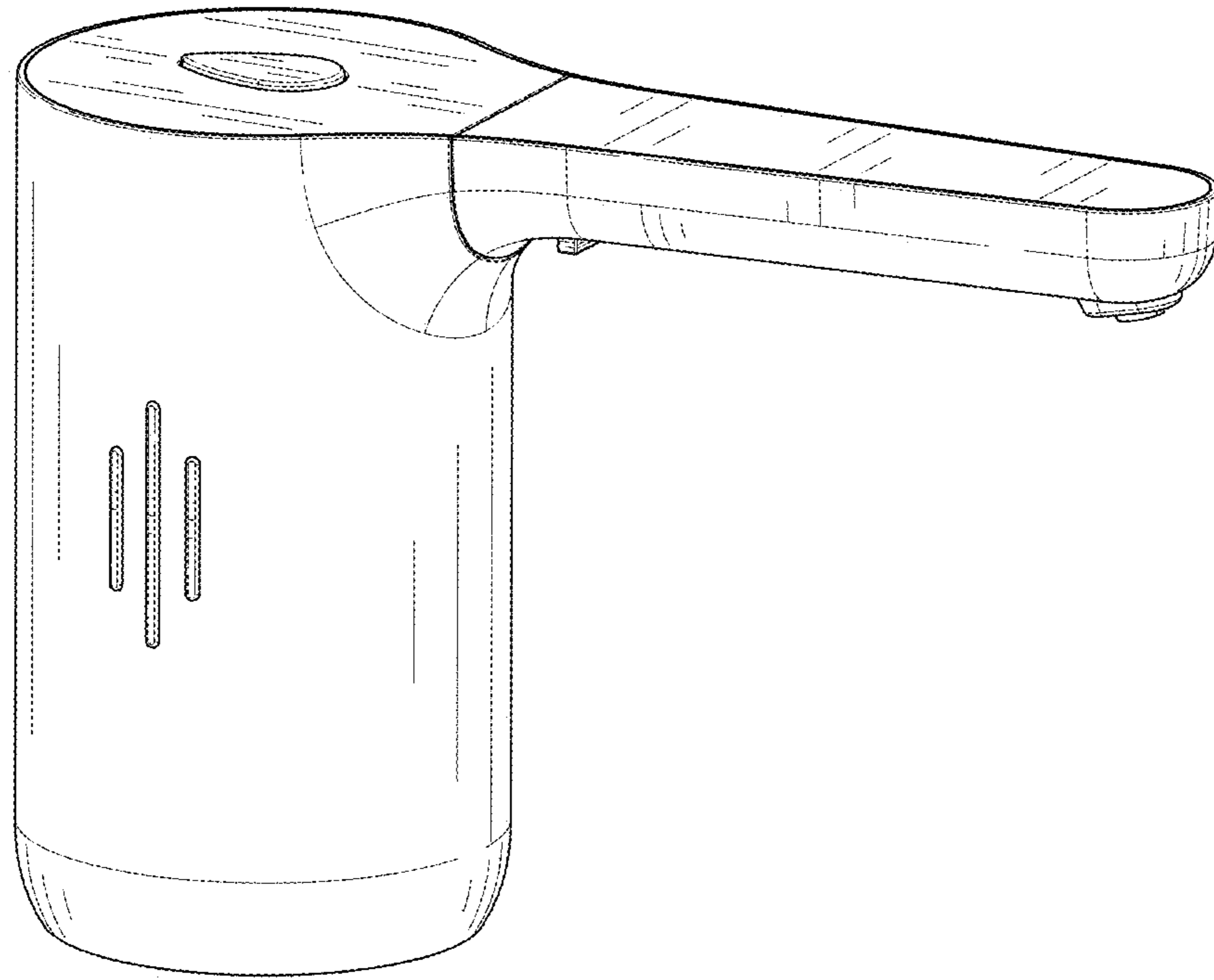


FIG. 7

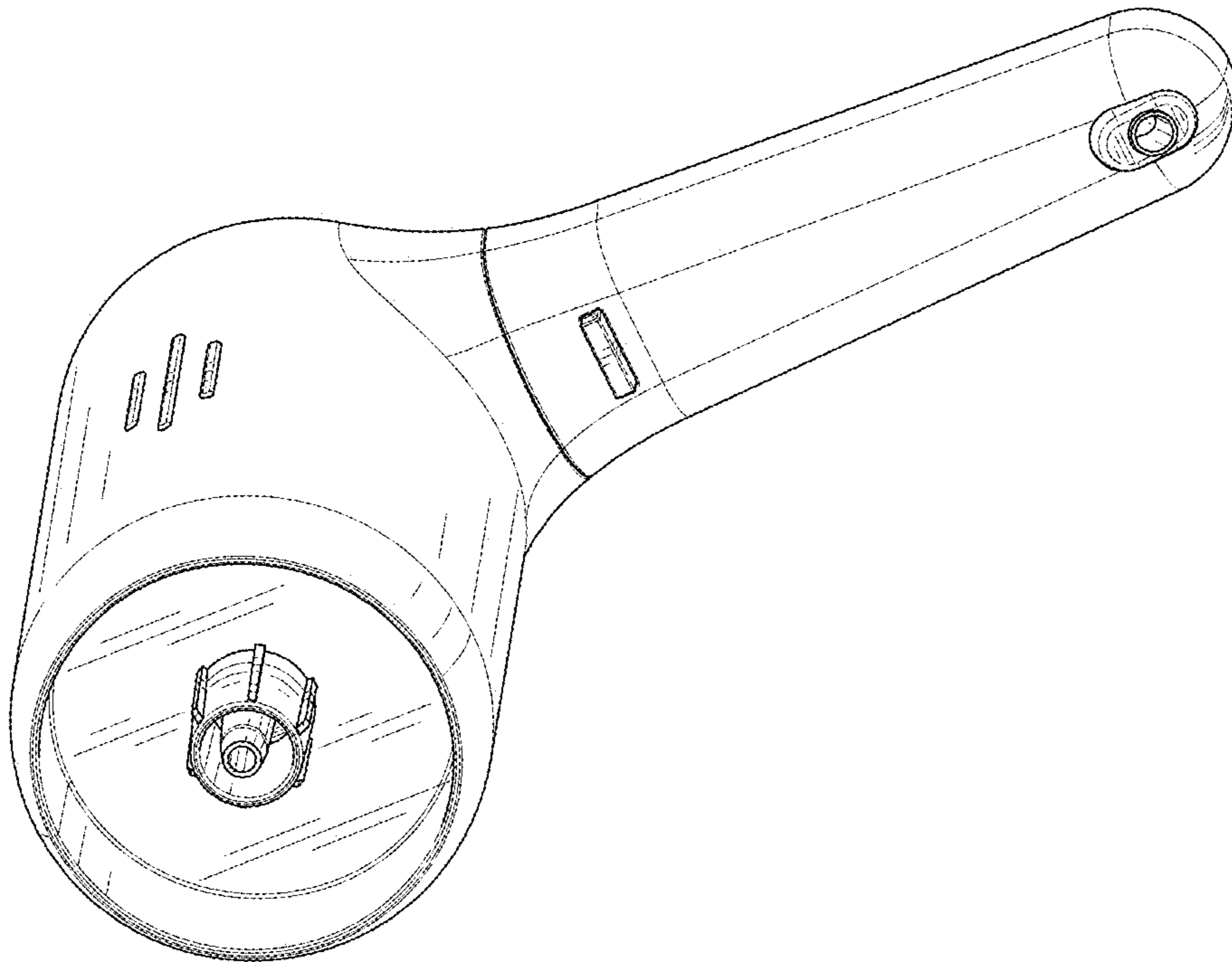


FIG. 8

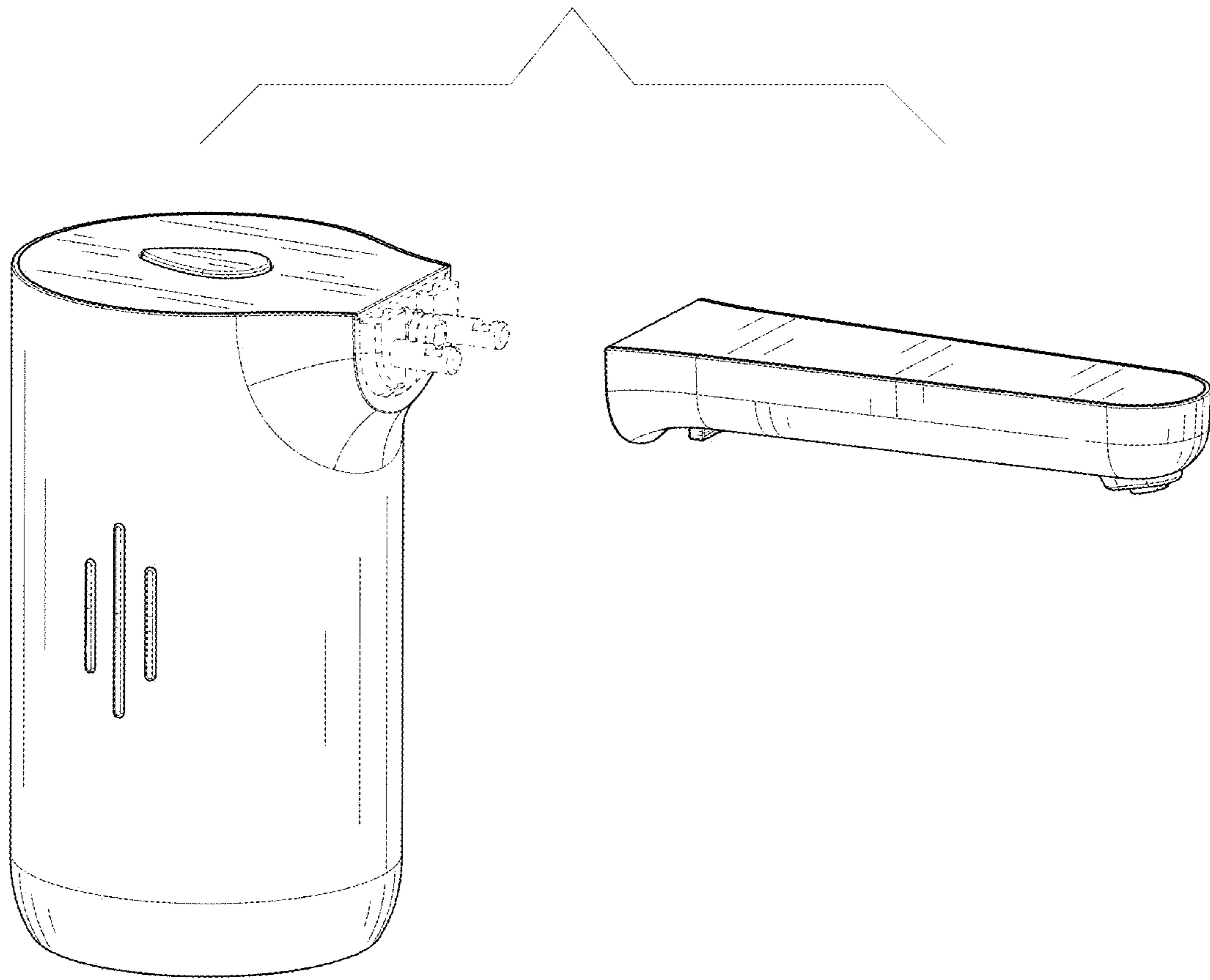


FIG. 9