



US00D981529S

(12) **United States Design Patent**  
**König et al.**

(10) **Patent No.:** **US D981,529 S**  
(45) **Date of Patent:** **\*\* Mar. 21, 2023**

(54) **WATER PURIFIER**

(71) Applicant: **Merck Patent GmbH**, Darmstadt (DE)

(72) Inventors: **Camillo König**, Darmstadt (DE); **Dény Saraliev**, Darmstadt (DE); **Fabien Jeannerot**, Darmstadt (DE); **Gérald Lelong**, Darmstadt (DE)

(73) Assignee: **Merck Patent GmbH**, Darmstadt (DE)

(\*\*) Term: **15 Years**

(21) Appl. No.: **29/786,137**

(22) Filed: **May 28, 2021**

(51) **LOC (14) Cl.** ..... **23-01**

(52) **U.S. Cl.**

USPC ..... **D23/207**

(58) **Field of Classification Search**

USPC ..... D23/207, 208, 209, 355, 362, 363, 364, D23/365, 366; D7/306, 307, 311, 312

CPC ..... B01D 27/00; B01D 27/08; B01D 35/306; B01D 35/34; B01D 61/08; B01D 61/081; B01D 2201/29; B01D 2201/291; B01D 2201/4015; B01D 2221/02; C02F 1/003; C02F 9/005; C02F 2307/10

See application file for complete search history.

(56) **References Cited**

**U.S. PATENT DOCUMENTS**

D328,121 S *	7/1992	Pedersen	.....	D23/209
D477,049 S *	7/2003	Steinfels	.....	D23/207
D565,692 S *	4/2008	Berducat	.....	D23/207
D568,438 S *	5/2008	Berducat	.....	D23/207
D637,689 S *	5/2011	Hong	.....	D23/207
D731,840 S *	6/2015	Cha	.....	D7/311
D732,330 S *	6/2015	Cha	.....	D7/311
D743,651 S *	11/2015	Hoffman	.....	D32/25
D762,809 S *	8/2016	Kim	.....	D23/207
D765,234 S *	8/2016	Stoner, Jr.	.....	D23/364

(Continued)

**OTHER PUBLICATIONS**

Merck Milli-Q EQ 7000, Sep. 1, 2021, YouTube, site visited Sep. 16, 2022: <https://www.youtube.com/watch?v=QW1SMnoO3O4> (Year: 2021).\*

(Continued)

*Primary Examiner* — Jack Reickel

*Assistant Examiner* — Bobby W Jones, II

(74) *Attorney, Agent, or Firm* — Edell, Shapiro & Finnan, LLC

(57) **CLAIM**

The ornamental design for a water purifier, as shown and described.

**DESCRIPTION**

FIG. 1 is a front, right, top perspective view of a water purifier.

FIG. 2 is a front, left, top perspective view of the water purifier of FIG. 1.

FIG. 3 is a rear, right, top perspective view of the water purifier of FIG. 1.

FIG. 4 is a rear, right, bottom perspective view of the water purifier of FIG. 1.

FIG. 5 is a rear, left, bottom perspective view of the water purifier of FIG. 1.

FIG. 6 is a front elevation view of the water purifier of FIG. 1.

FIG. 7 is a rear elevation view of the water purifier of FIG. 1.

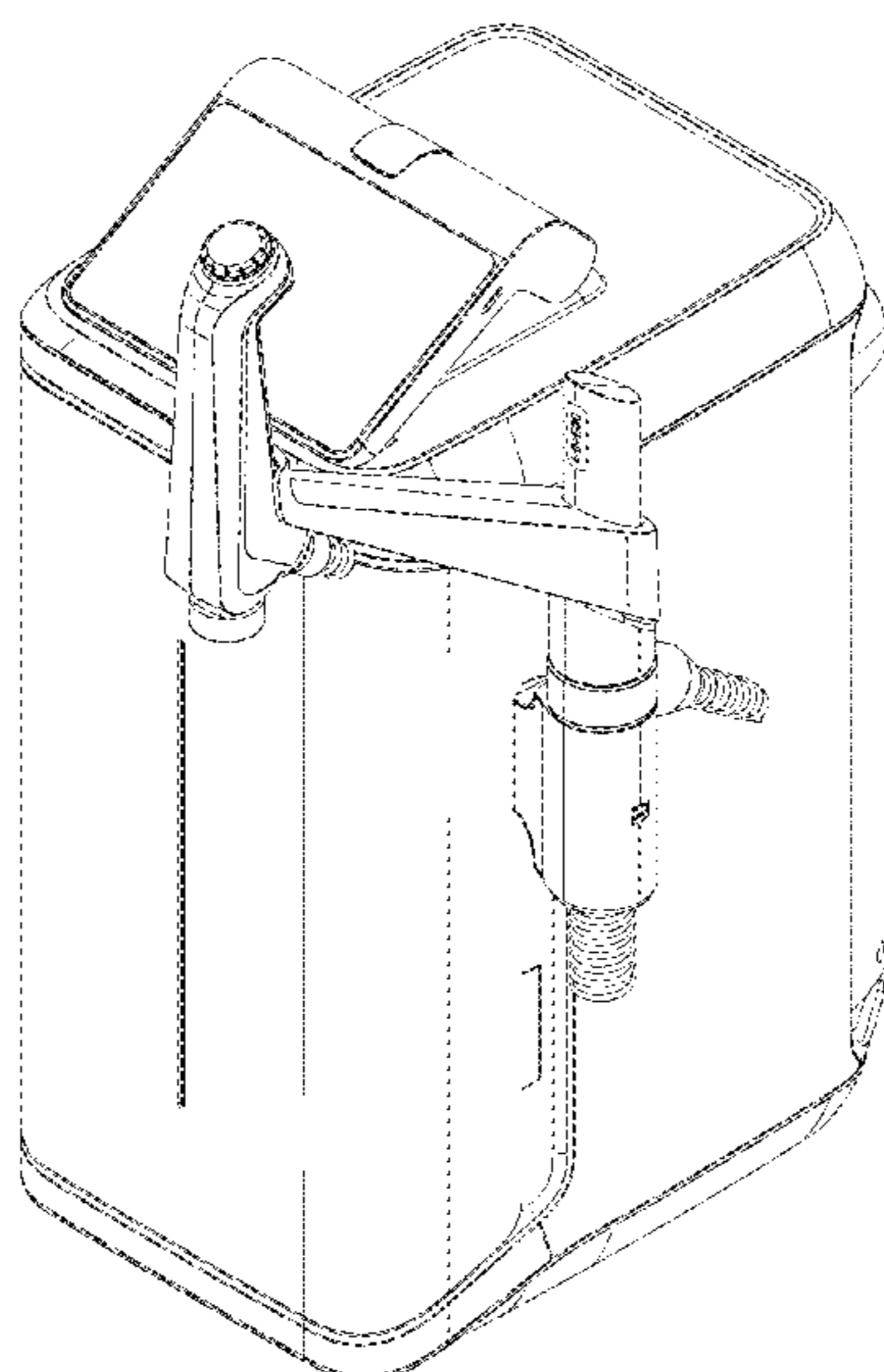
FIG. 8 is a left side elevation view of the water purifier of FIG. 1.

FIG. 9 is a right side elevation view of the water purifier of FIG. 1.

FIG. 10 is a top plan view of the water purifier of FIG. 1; and,

FIG. 11 is a bottom plan view of the water purifier of FIG. 1.

**1 Claim, 11 Drawing Sheets**



(56)

**References Cited**

U.S. PATENT DOCUMENTS

D773,227 S \* 12/2016 Kuboi ..... D7/307  
D819,383 S \* 6/2018 Hecht ..... D7/397  
D840,500 S \* 2/2019 Moreau ..... D23/207  
D840,501 S \* 2/2019 König ..... D23/207  
D914,835 S \* 3/2021 Moreau ..... D23/207  
D915,549 S \* 4/2021 Berducat ..... D23/209  
D951,390 S \* 5/2022 Shin ..... D23/207  
11,325,822 B2 \* 5/2022 Hoshino ..... B67D 1/0888  
2005/0279689 A1 \* 12/2005 Oranski ..... B67D 1/0895  
210/232  
2019/0315632 A1 \* 10/2019 He ..... C02F 1/006  
2019/0389740 A1 \* 12/2019 Choi ..... B01D 35/30  
2022/0017352 A1 \* 1/2022 Hoshino ..... C02F 9/005

OTHER PUBLICATIONS

Arium Lab Water Systems, Jun. 3, 2013, YouTube, site visited Sep. 16, 2022: <https://www.youtube.com/watch?v=NmHlnBJWQe4> (Year: 2013).\*

Sartorius I love my lab water system, Jan. 21, 2016, YouTube, site visited Sep. 16, 2022: <https://www.youtube.com/watch?v=IBP43dLTgsM> (Year: 2016).\*

\* cited by examiner

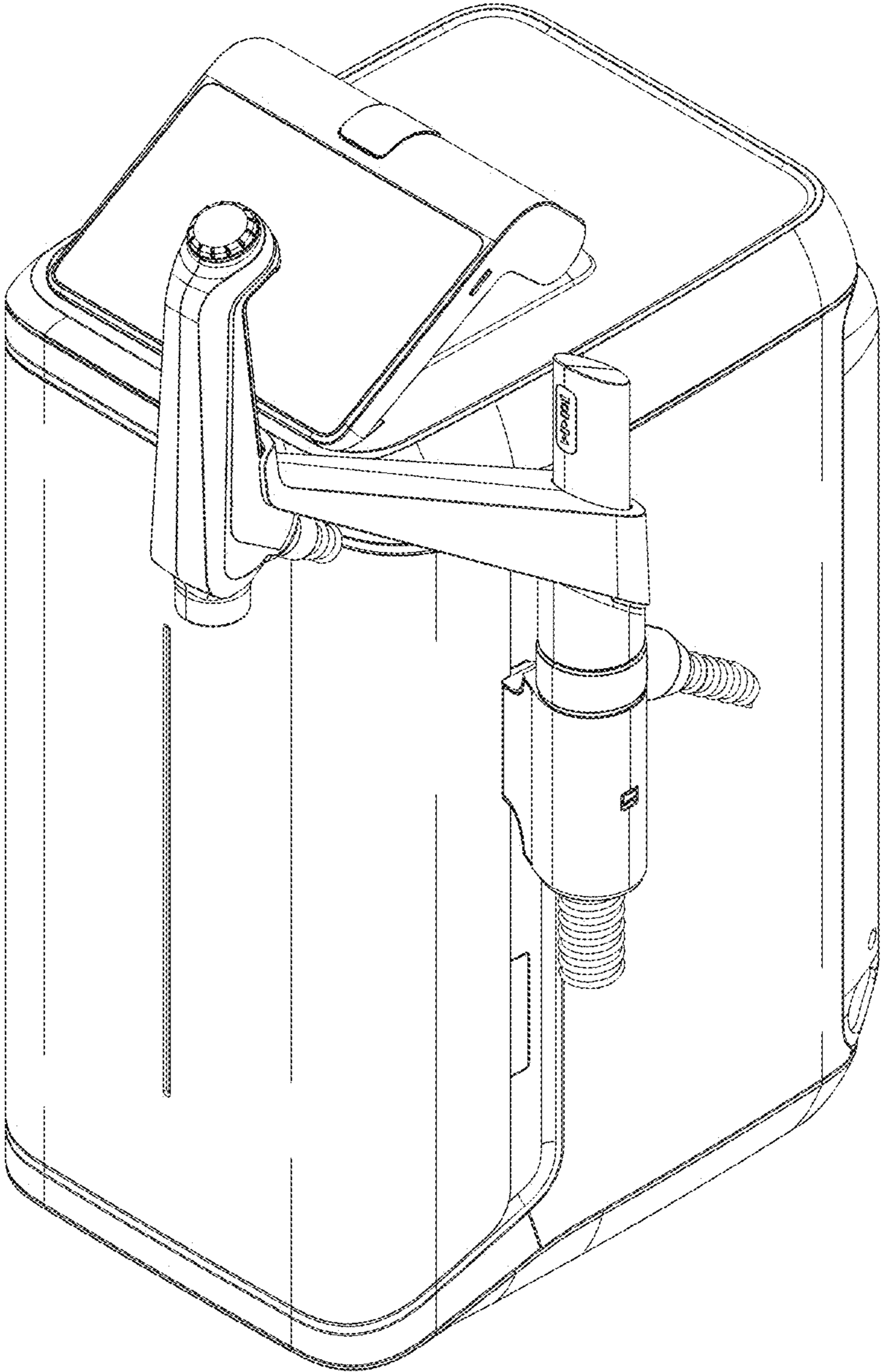


FIG.1

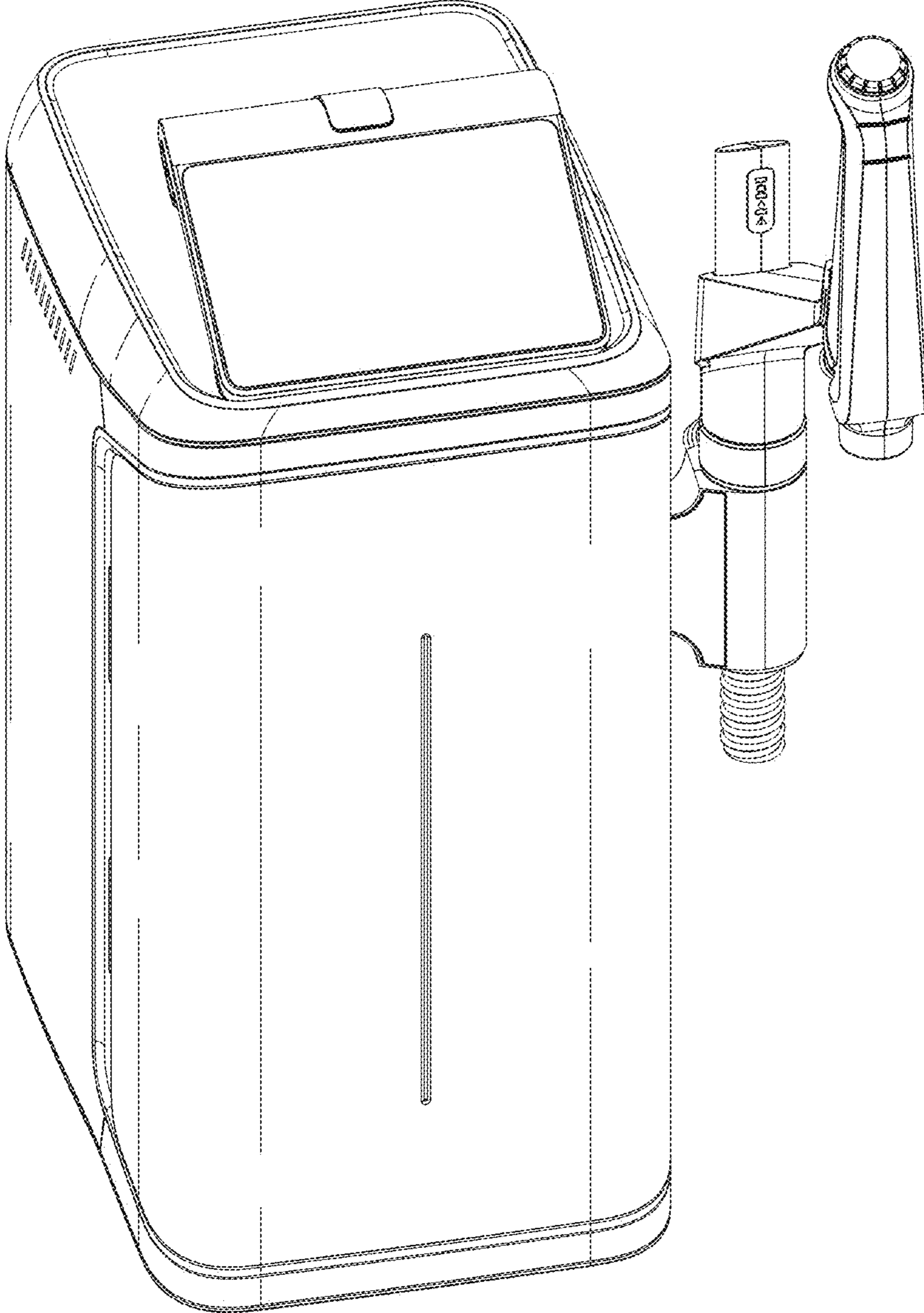


FIG.2

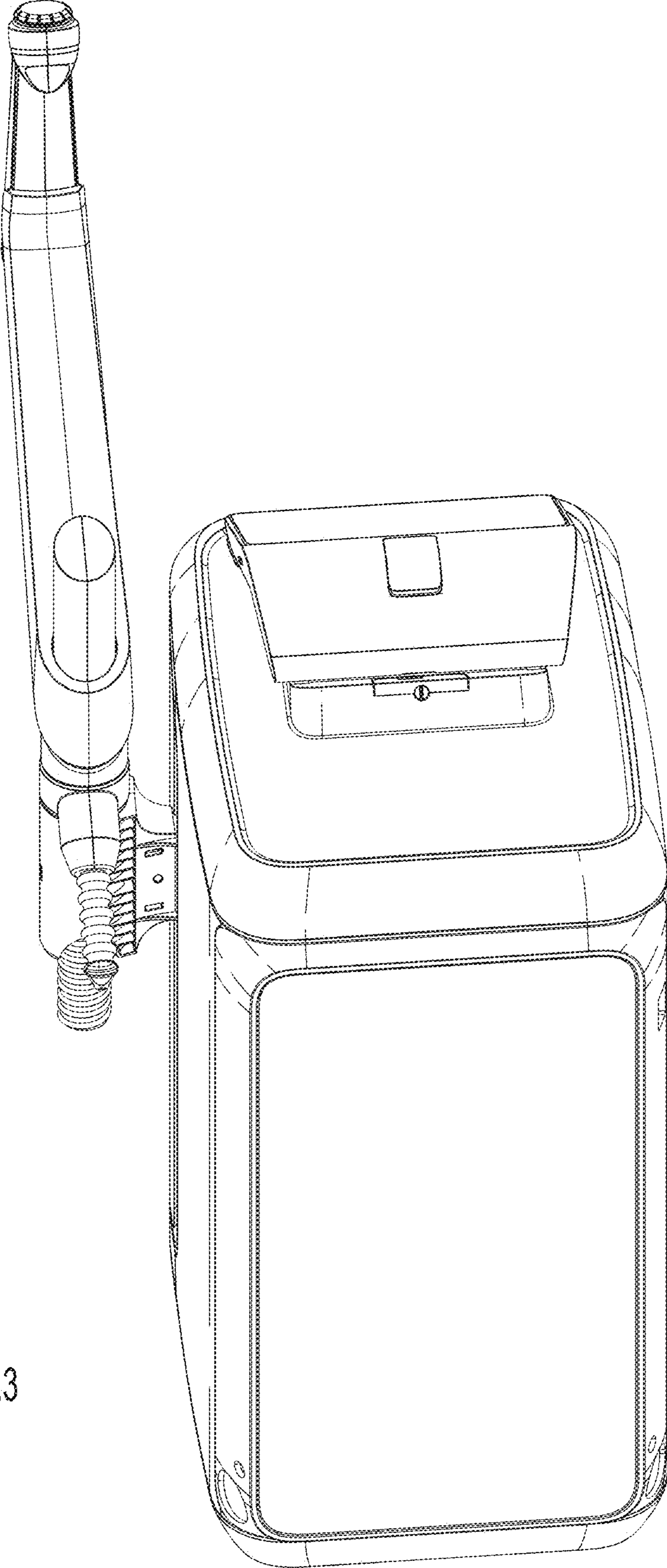


FIG.3

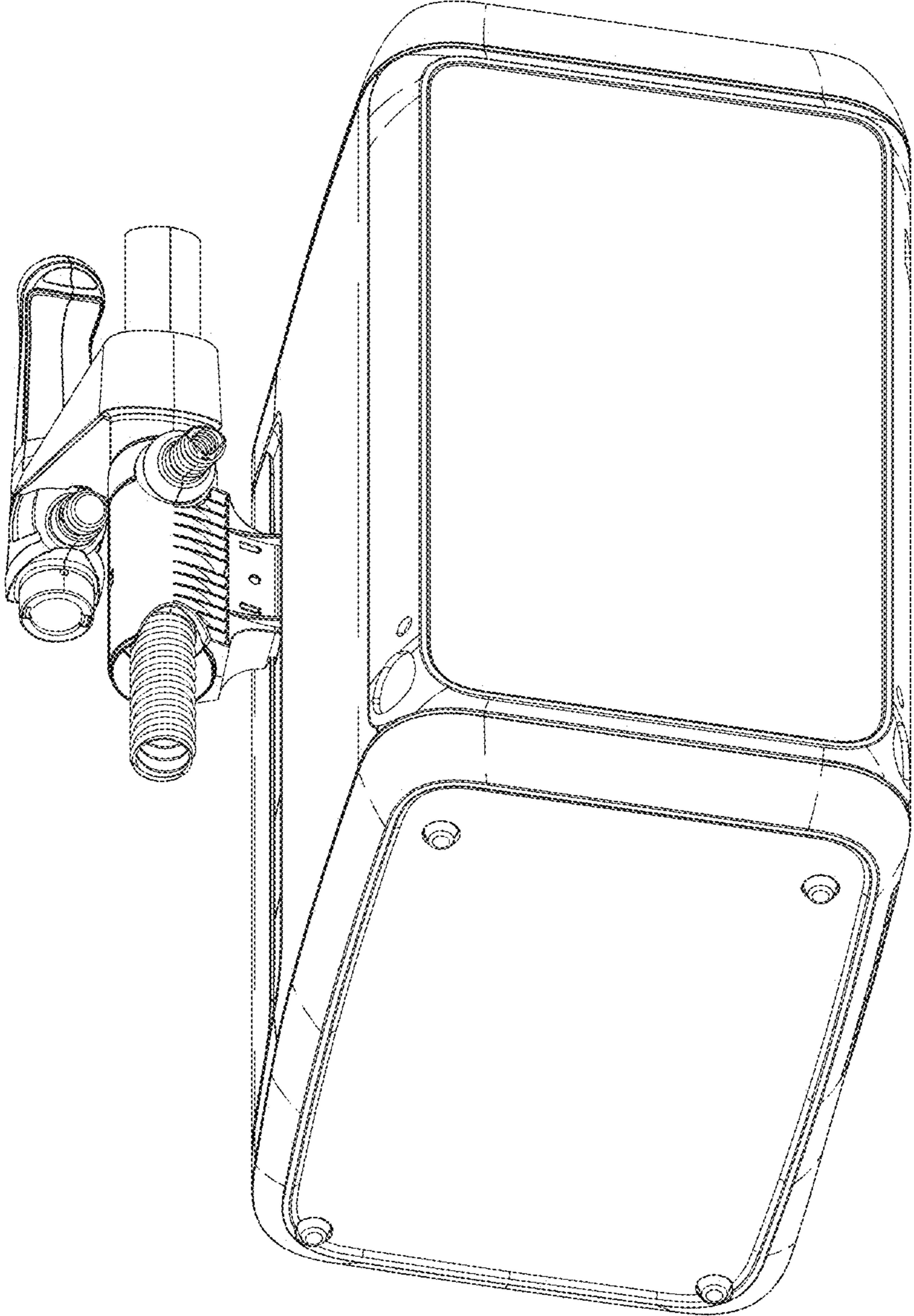


FIG.4

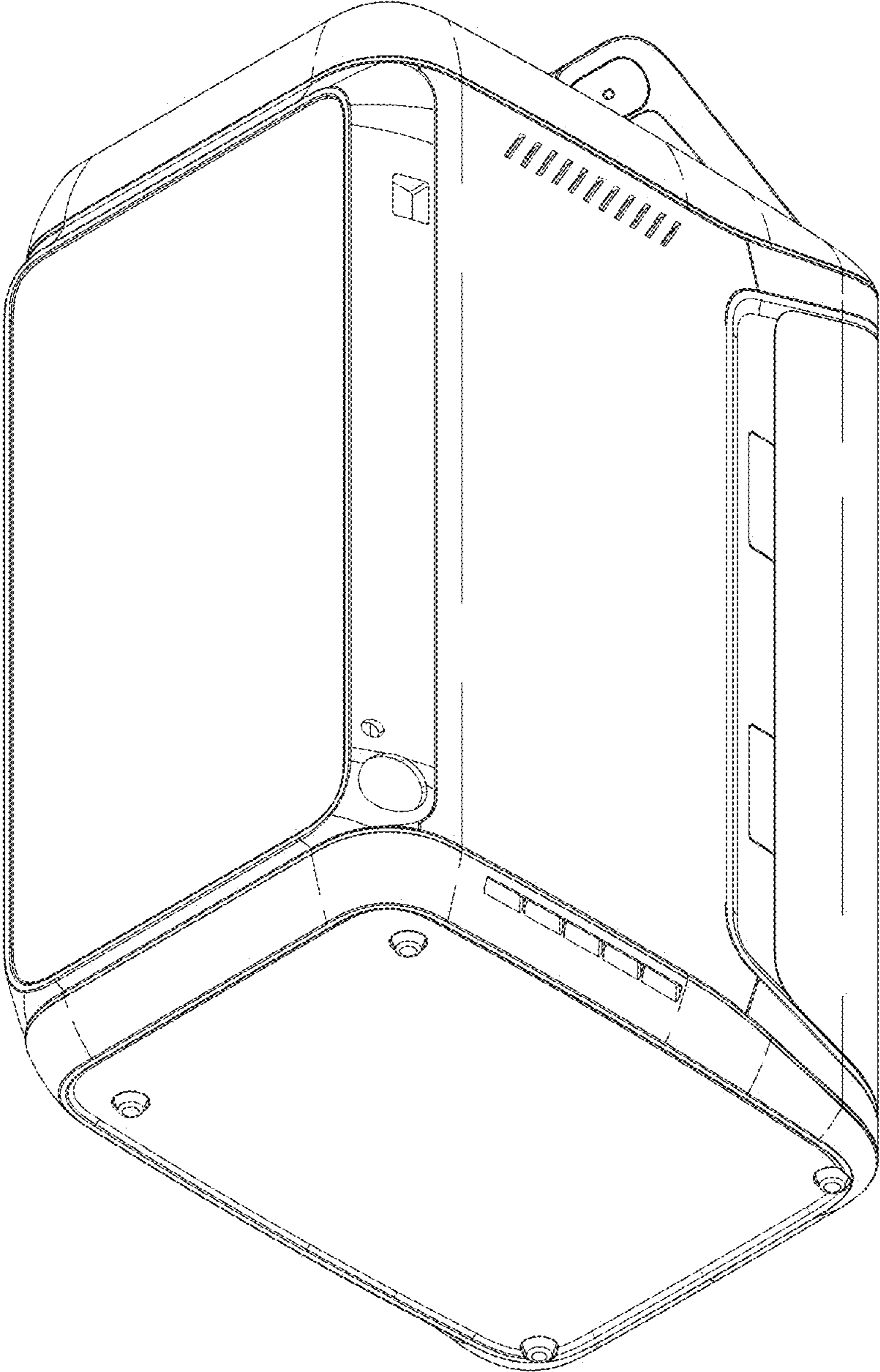


FIG.5

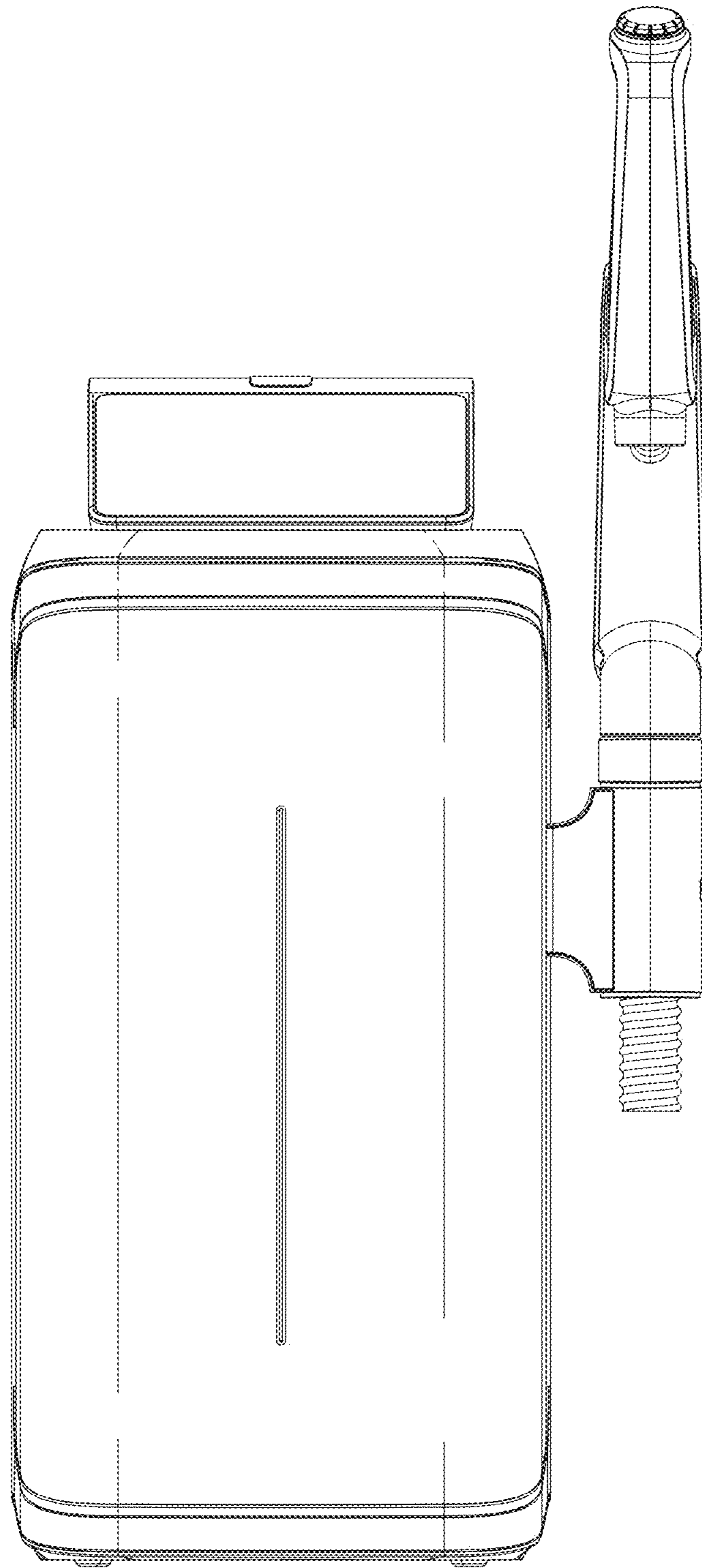


FIG.6



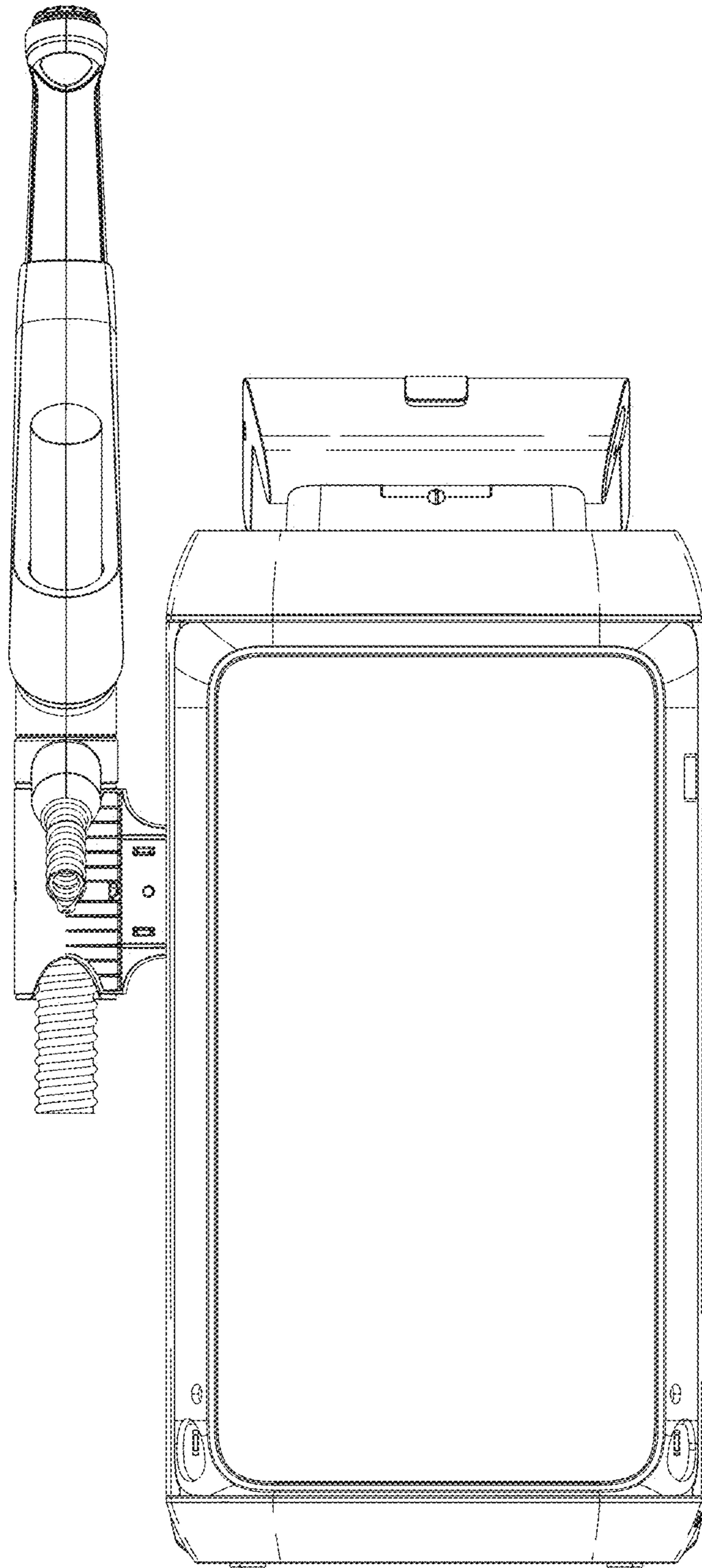


FIG.7

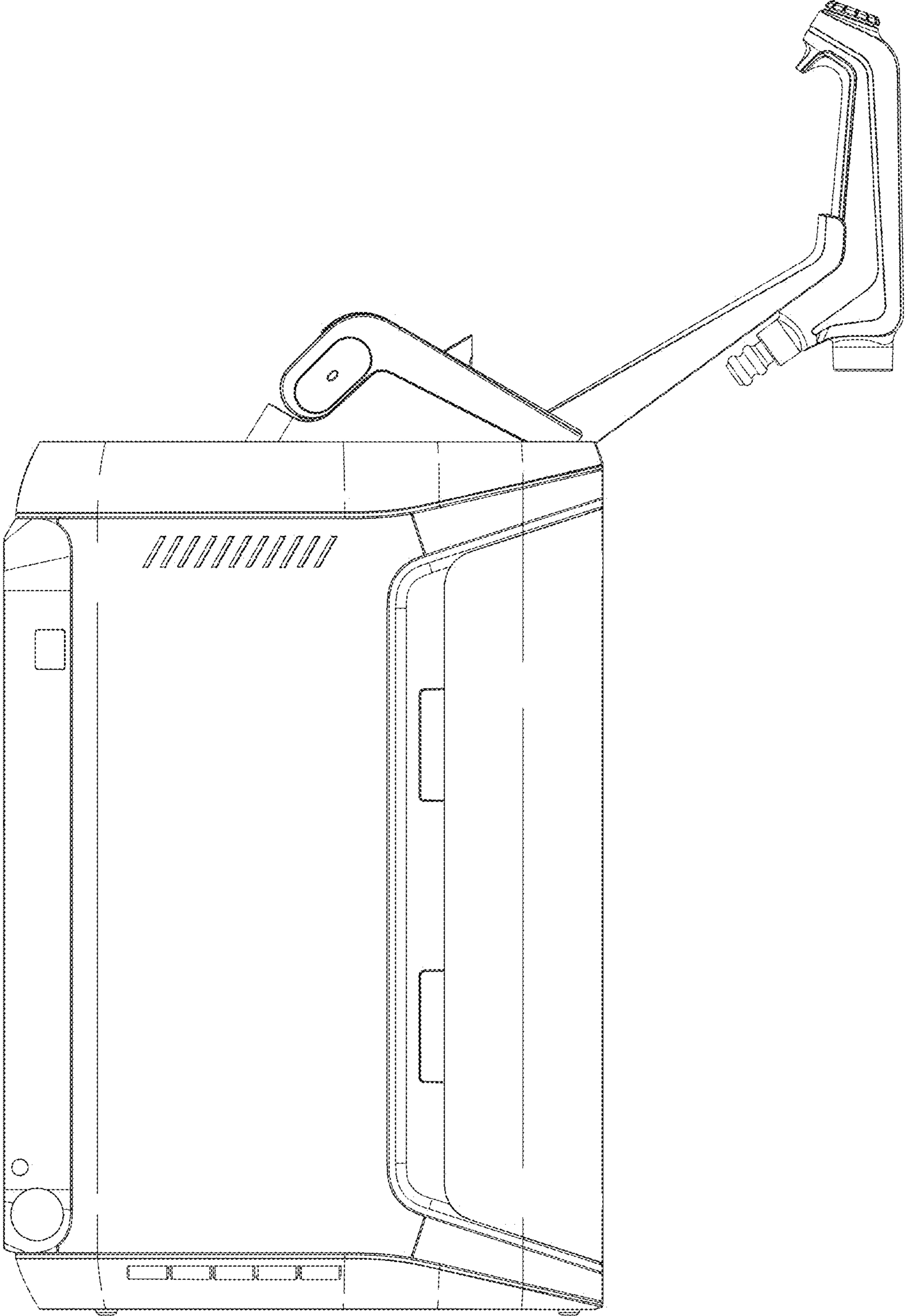


FIG.8

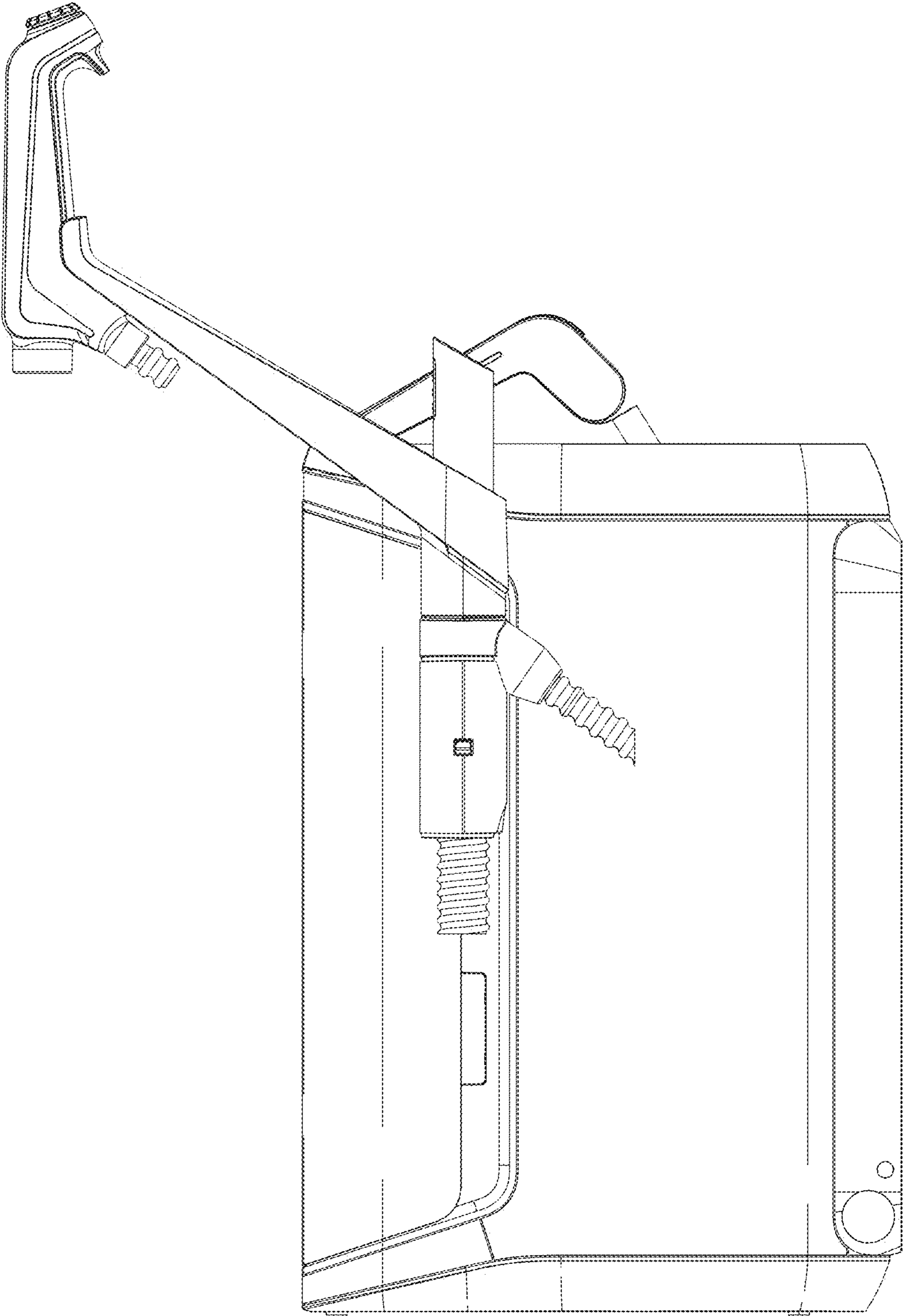


FIG.9

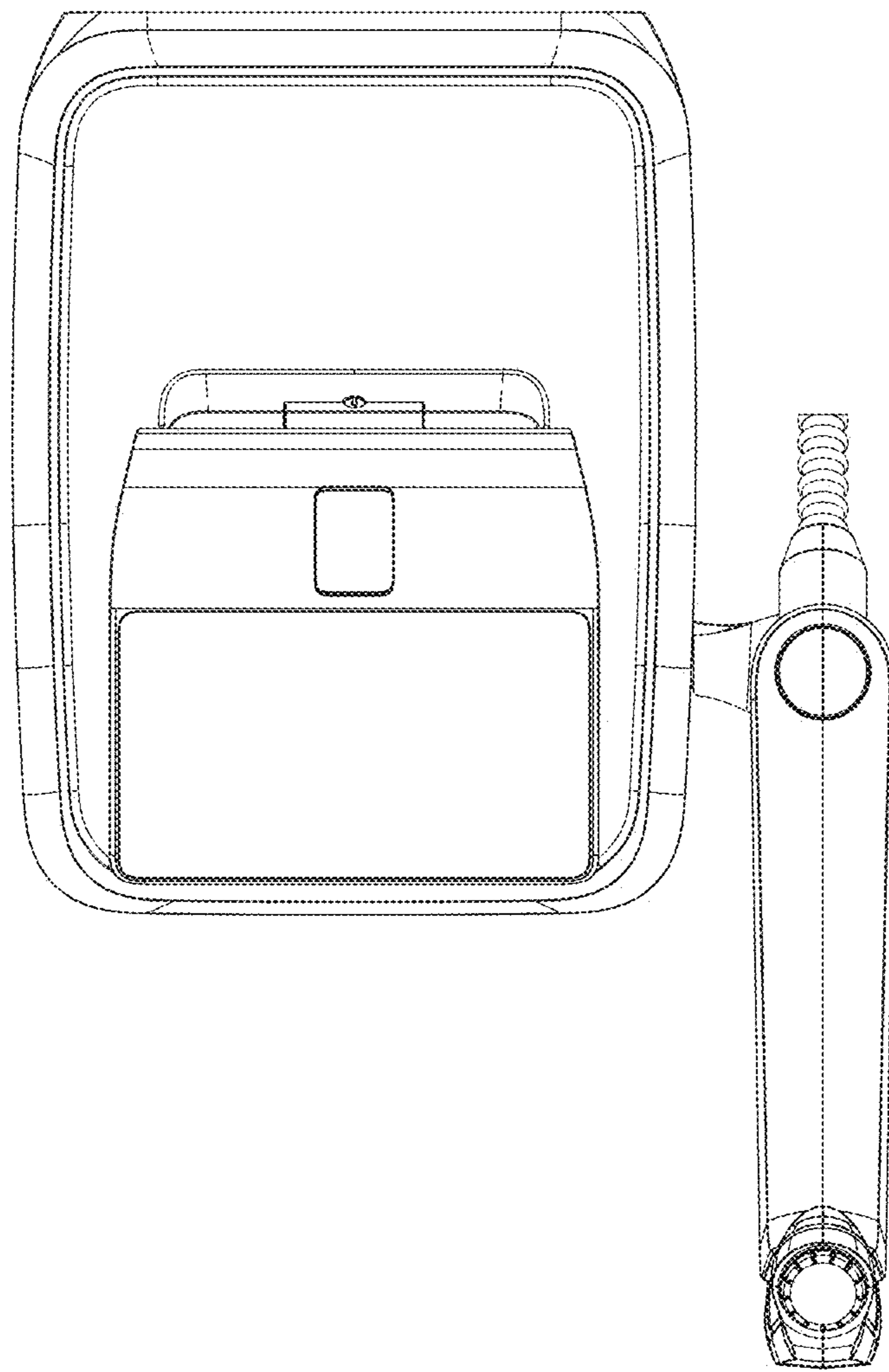


FIG.10

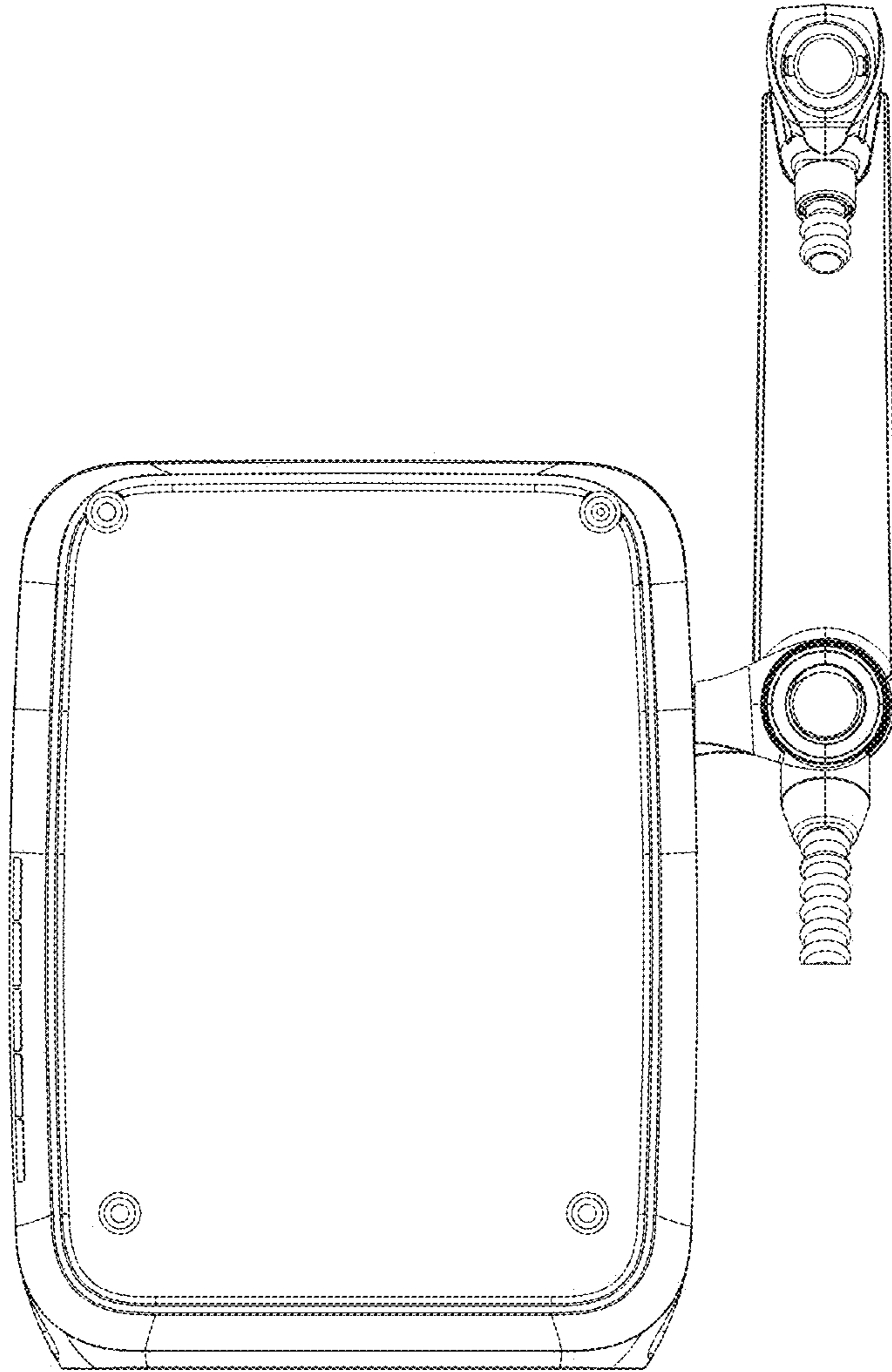


FIG.11