



US00D981527S

(12) **United States Design Patent** (10) **Patent No.:** **US D981,527 S**
Lin (45) **Date of Patent:** **** Mar. 21, 2023**

(54) **ELECTRIC BUG RACKET**

(71) Applicant: **Zhengxian Lin**, Camas, WA (US)

(72) Inventor: **Zhengxian Lin**, Camas, WA (US)

(**) Term: **15 Years**

(21) Appl. No.: **29/842,808**

(22) Filed: **Jun. 16, 2022**

(51) **LOC (14) Cl.** **22-06**

(52) **U.S. Cl.**
USPC **D22/124**

(58) **Field of Classification Search**
USPC D22/123, 122, 124, 120; 43/107, 112, 43/137
CPC A01M 1/00; A01M 1/02; A01M 1/04; A01M 1/08; A01M 1/106; A01M 1/223; A01M 2200/011; A01M 2200/012; A01M 29/34; F21L 13/08
See application file for complete search history.

(56) **References Cited**

U.S. PATENT DOCUMENTS

D516,159 S	2/2006	Himberger	
D540,415 S	4/2007	Zemel	
D675,283 S	1/2013	Dooley	
D722,673 S	2/2015	Dayan	
D917,656 S *	4/2021	Zheng	D22/123
D918,333 S	5/2021	Qiu	
D923,743 S	6/2021	Freeland	
11,039,608 B2 *	6/2021	Lin	A01M 1/22
D925,692 S	7/2021	Huang	
D938,545 S	12/2021	Pang	
D949,280 S	4/2022	Zheng	
D950,003 S	4/2022	Zhong	

(Continued)

OTHER PUBLICATIONS

https://www.amazon.com/YsChois-Rechargeable-Electric-Exclusive-Mosquito/dp/BO9TYR3X1S/ref=sxin_14_pa_sp_search_thematic_sspa?content-id=amzn1.sym.f8046617-45af-4f03-8a6f-d237e93c7fe3%3Aamzn1.sym.f8046617-45af-4103-8a6f-d237e93c7fe3&crd=

31JD33EW7MVOM&cv_ct_cx=electric+bug+racket&keywords=electric+bug+racket&pd_rd_i=B09TYR3X1S&pd_rd_r=b1dbf08a-304b-43a4-903d-aa2574ac2038&pd_rd_w=tB4Ti&pd_rd_wg=5eADd&pf_rd_p=f8046617-45af-4f03-8a6f-d237e93c7fe3&p1_rd_r=RVHPT4NXF2AHMAJAHE6Q&qid=1661529855&srefix=electric+bug+%2Caps%2C1 (Year: 2022).*

Primary Examiner — Catherine R Oliver-Garcia
(74) *Attorney, Agent, or Firm* — Rumit Ranjit Kanakia

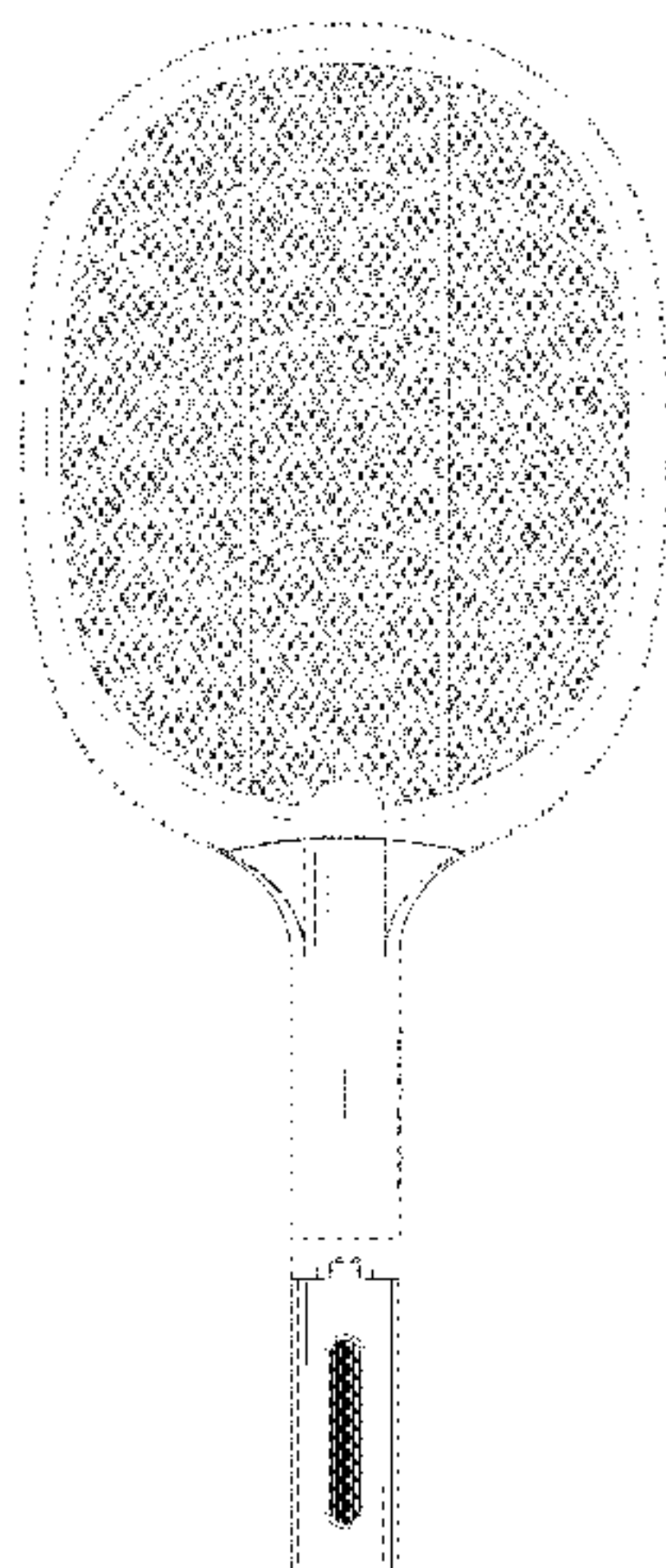
(57) **CLAIM**

The ornamental design for an electric bug racket, as shown and described.

DESCRIPTION

FIG. 1 is a perspective view of an electric bug racket showing my new design;
FIG. 2 is another perspective view thereof;
FIG. 3 is a front elevational view thereof;
FIG. 4 is a rear elevational view thereof;
FIG. 5 is a left side view thereof;
FIG. 6 is a right side view thereof;
FIG. 7 is a top plan view thereof;
FIG. 8 is a bottom plan view thereof;
FIG. 9 is a partial enlarged view of FIG. 1;
FIG. 10 is a partial enlarged view of FIG. 1;
FIG. 11 is a partial enlarged view of FIG. 1;
FIG. 12 is a partial enlarged view of FIG. 2;
FIG. 13 is a partial enlarged view of FIG. 2;
FIG. 14 is a partial enlarged view of FIG. 2;
FIG. 15 is a perspective view showing the electric bug racket in an open state;
FIG. 16 is another perspective view thereof;
FIG. 17 is a partial enlarged view of FIG. 15;
FIG. 18 is a partial enlarged view of FIG. 15;
FIG. 19 is a partial enlarged view of FIG. 16;
FIG. 20 is a partial enlarged view of FIG. 16; and,
FIG. 21 is a partial enlarged view of FIG. 16.
The broken lines in the figures are for the purposes of illustrating portions of the electric bug racket, that form no

(Continued)



part of the claimed design. The dashed broken line(s) define the bounds of the claimed design and form no part thereof.

1 Claim, 17 Drawing Sheets

(56)

References Cited

U.S. PATENT DOCUMENTS

2007/0113464	A1*	5/2007	Lan	A01M 3/025 43/137
2009/0272026	A1*	11/2009	Su	A01M 3/025 43/112
2011/0154717	A1*	6/2011	Hung	A01M 3/025 43/112

* cited by examiner

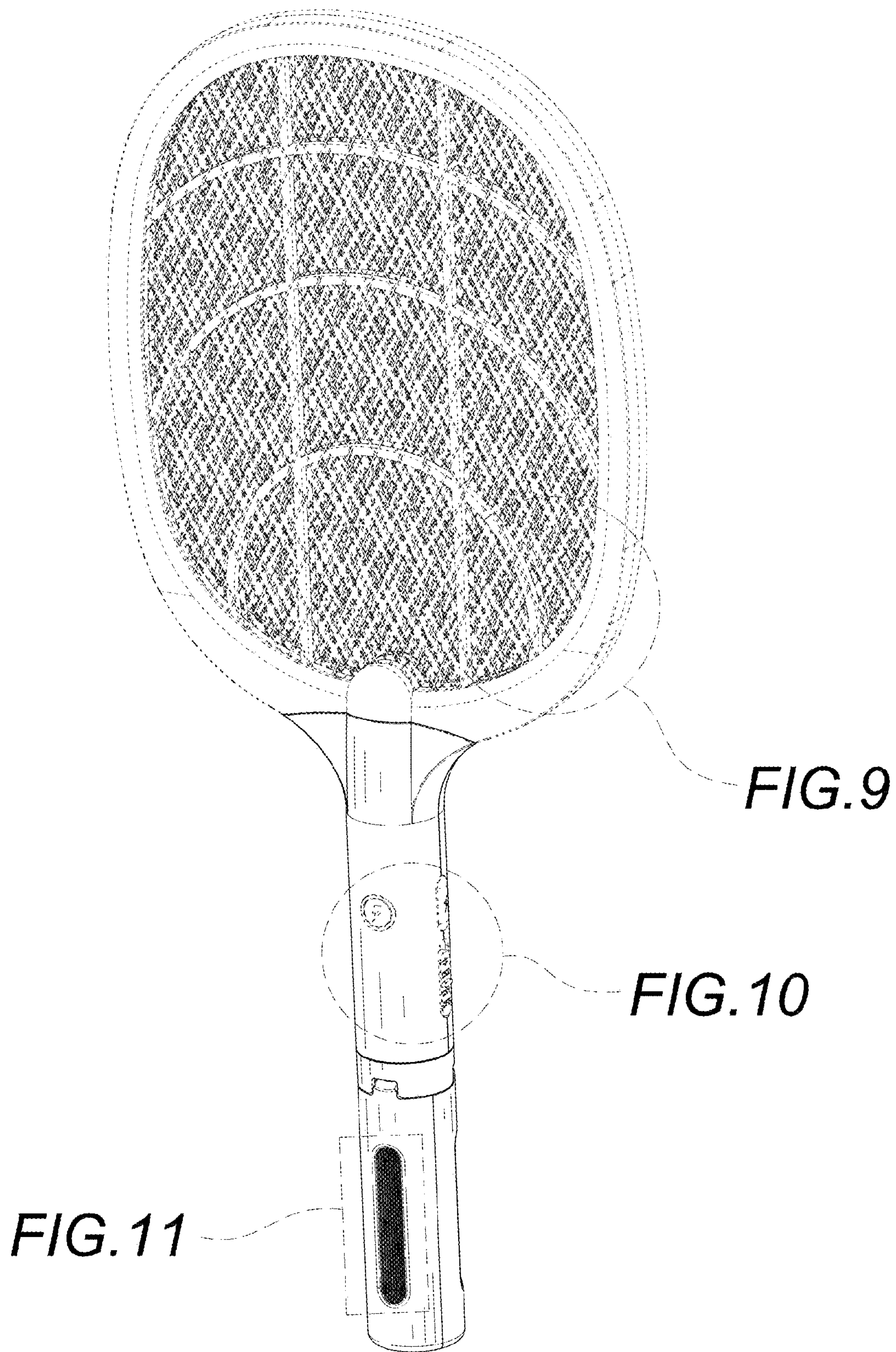


FIG. 1

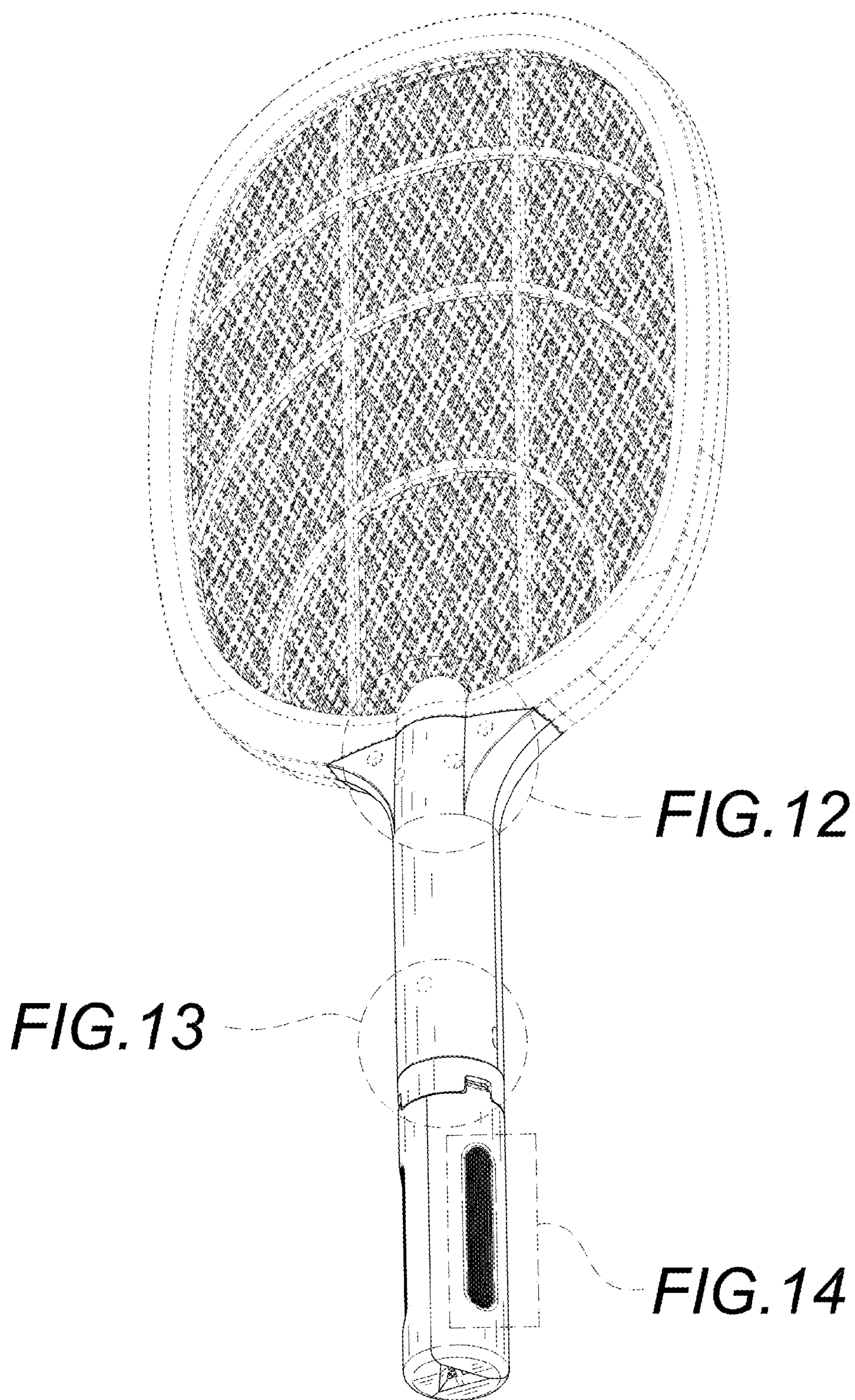


FIG. 2

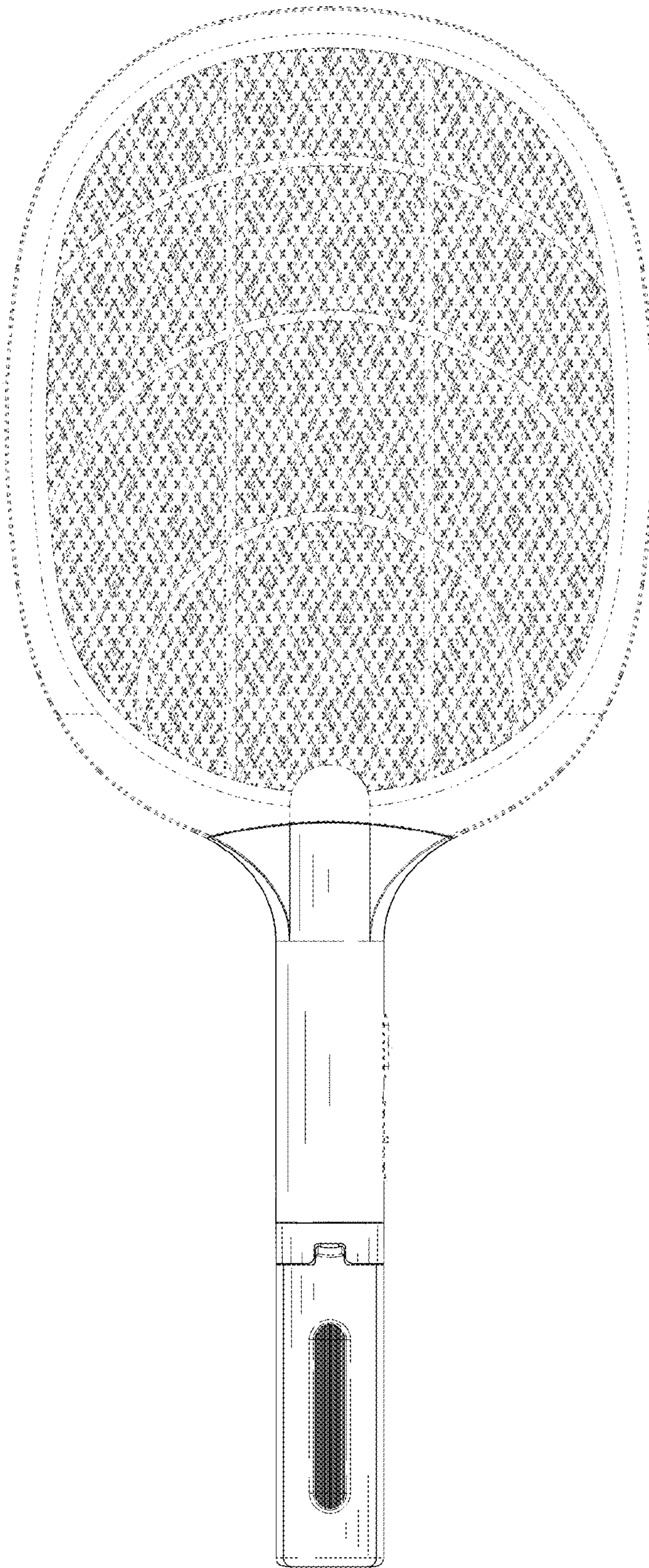


FIG. 3

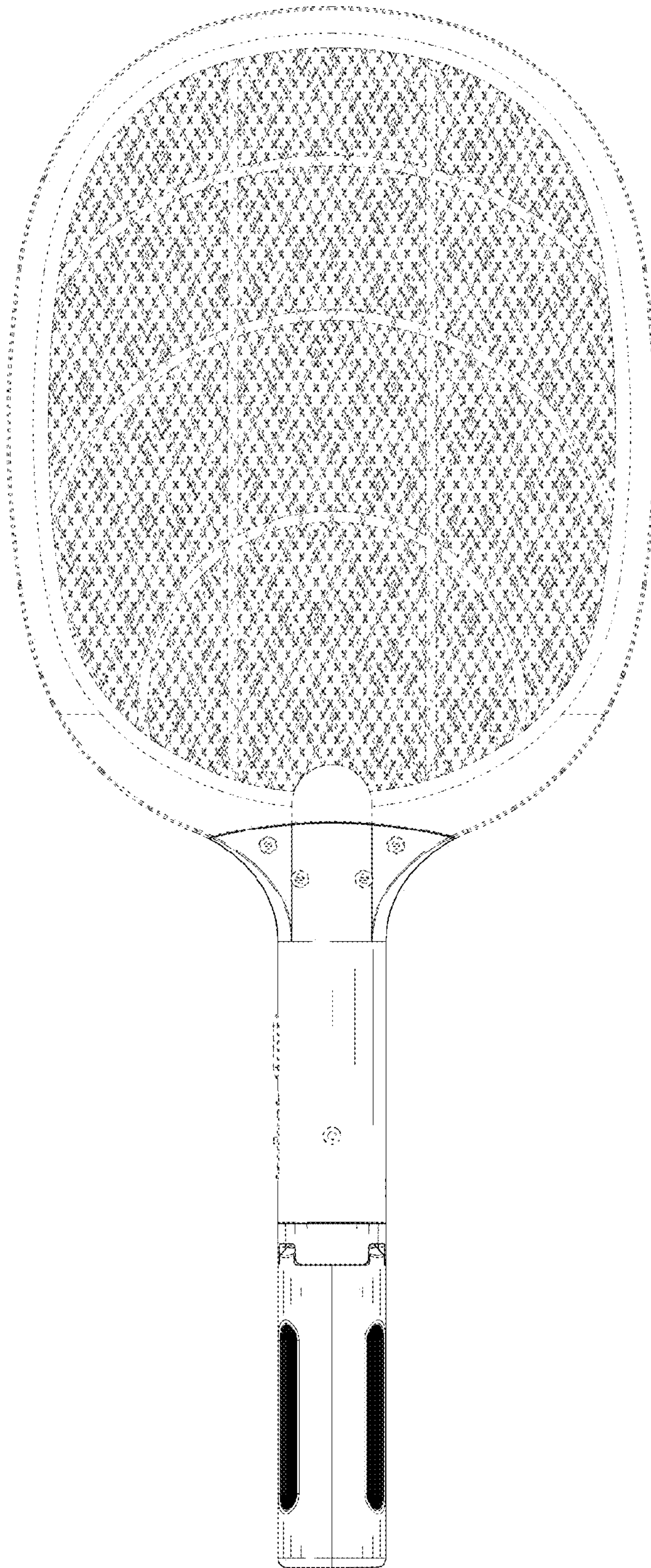


FIG. 4

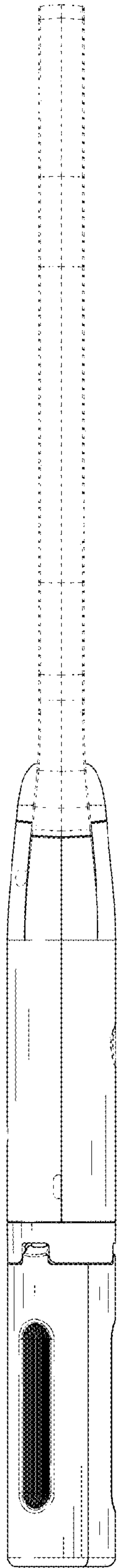


FIG. 5

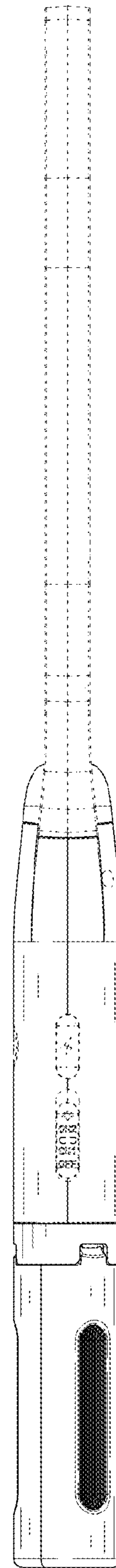


FIG. 6

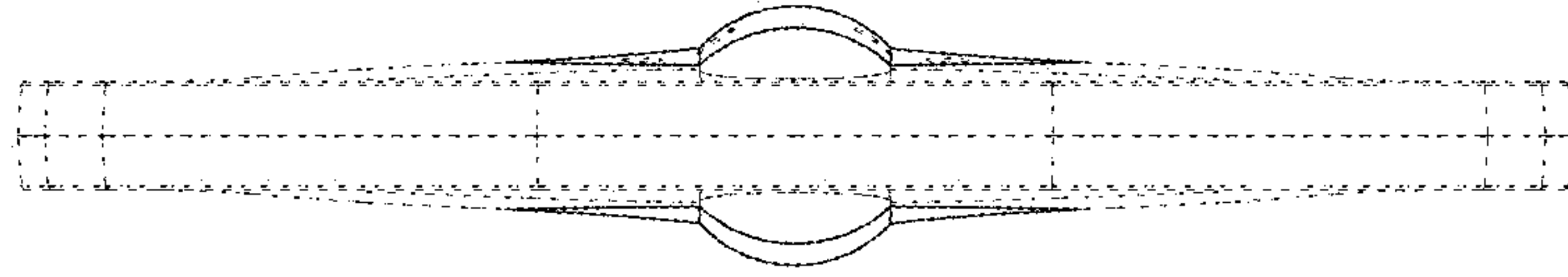


FIG. 7

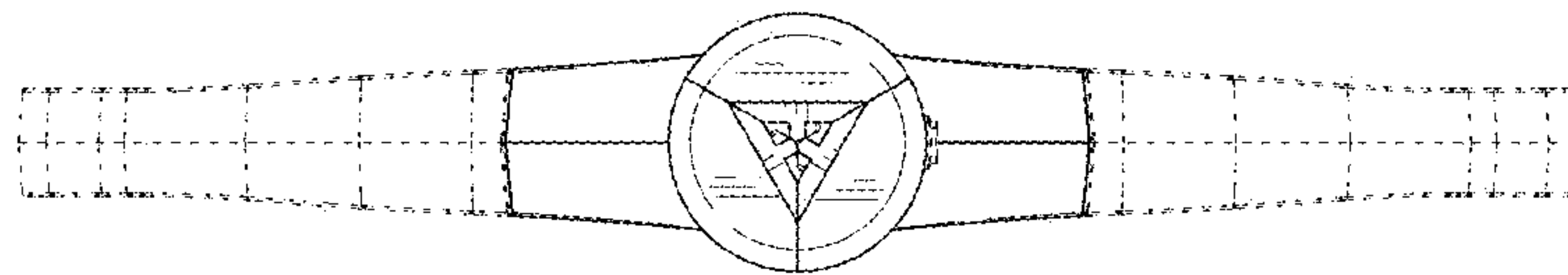


FIG. 8

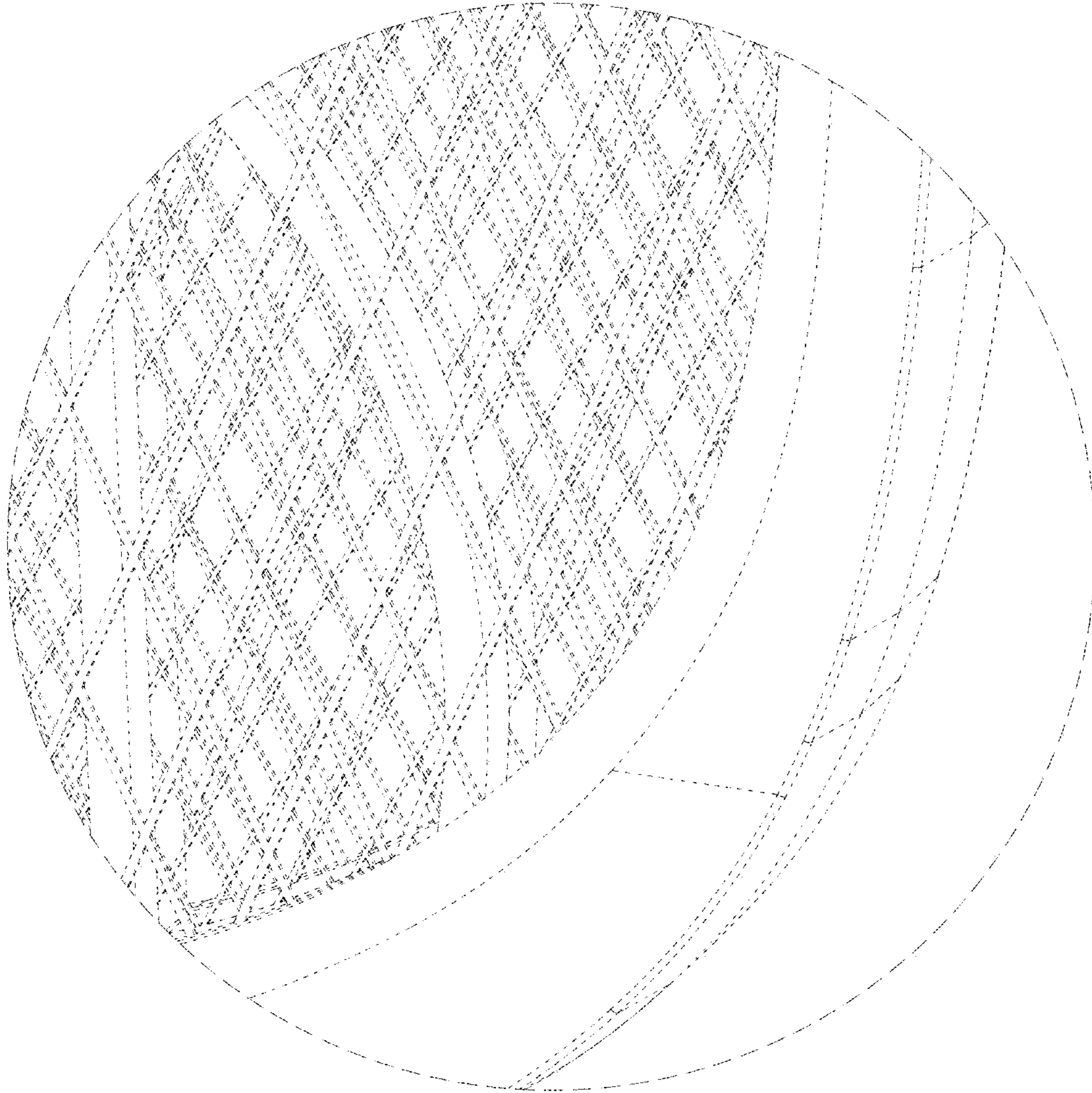


FIG. 9

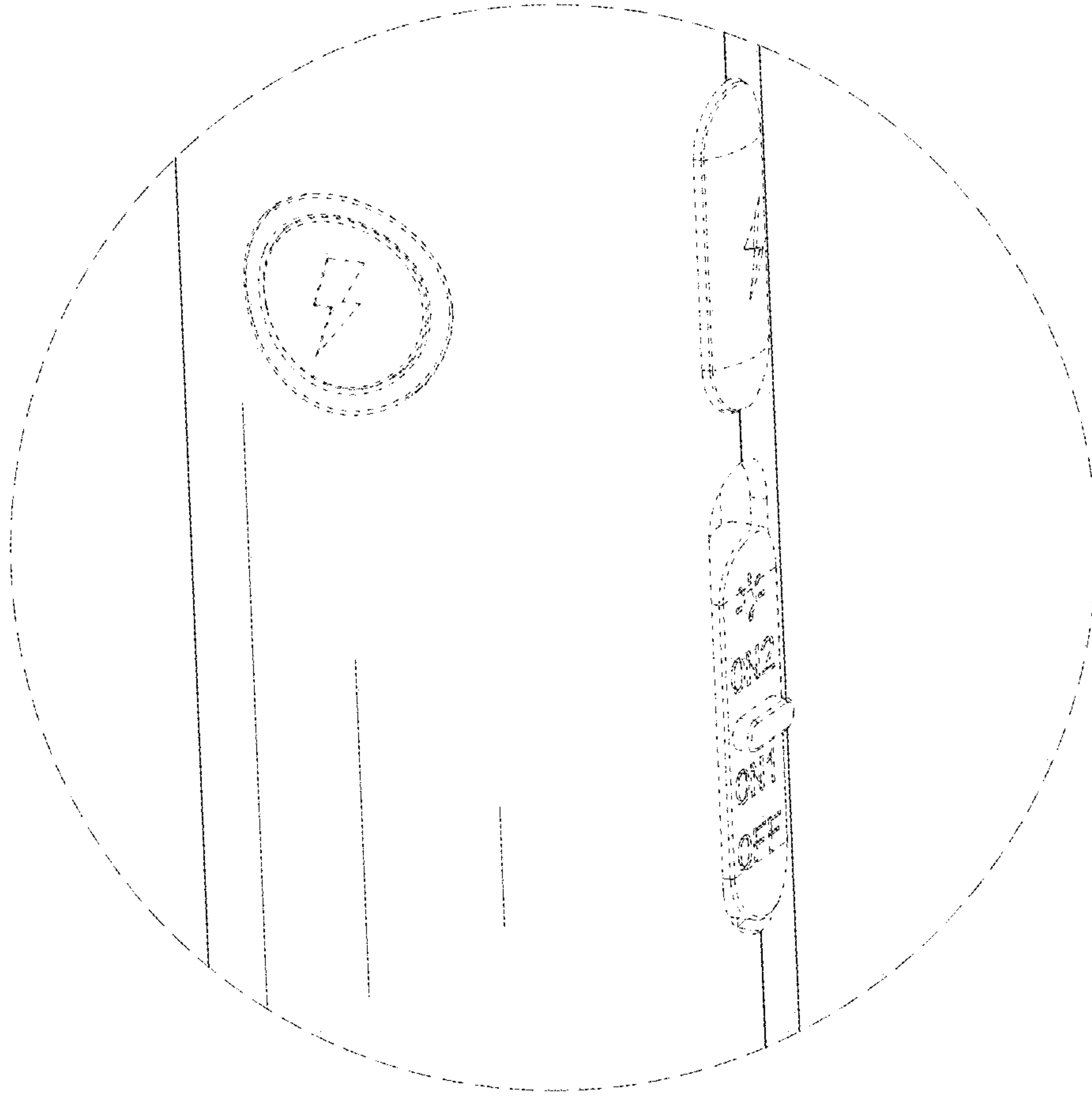


FIG. 10

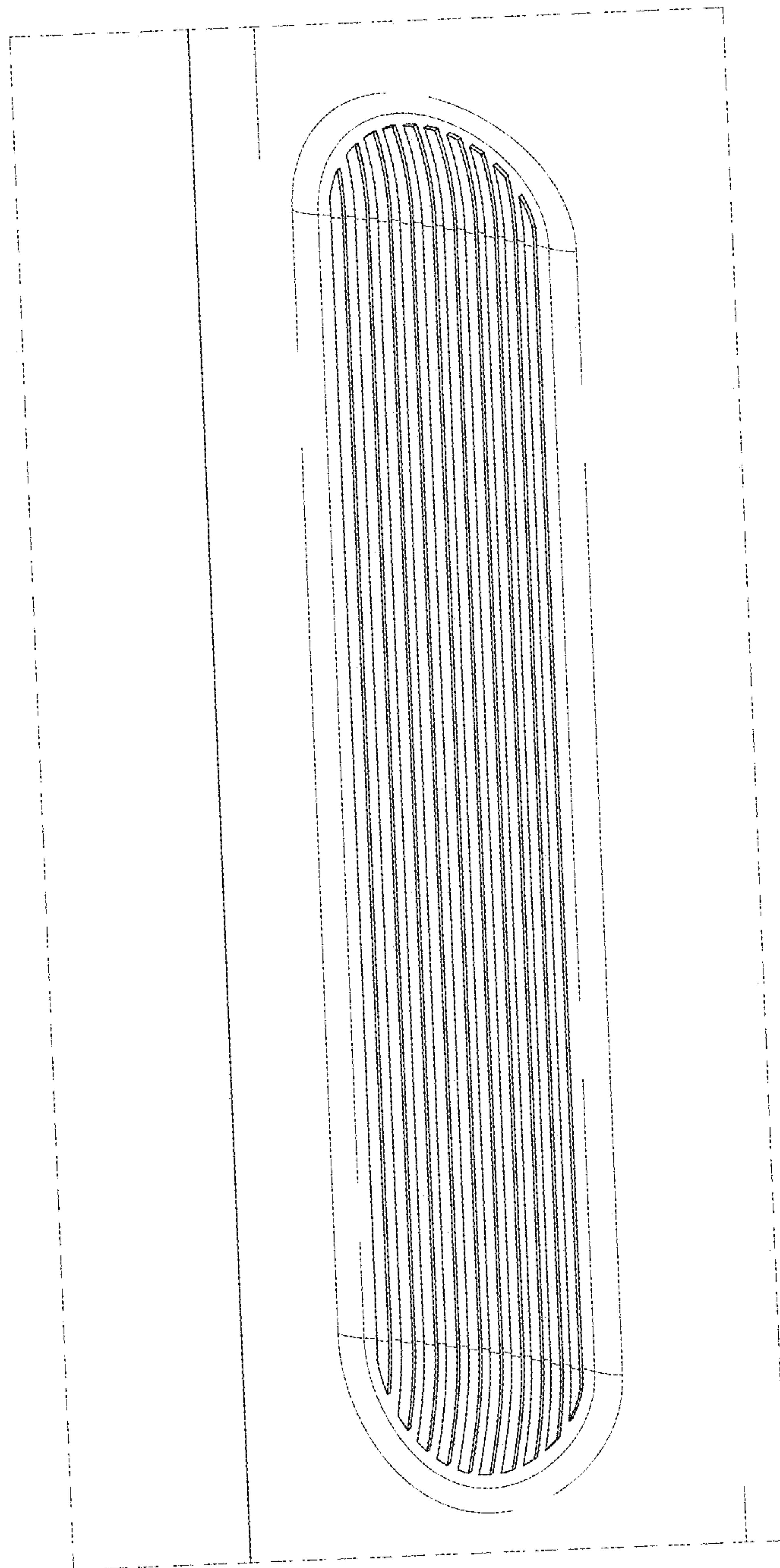


FIG. 11

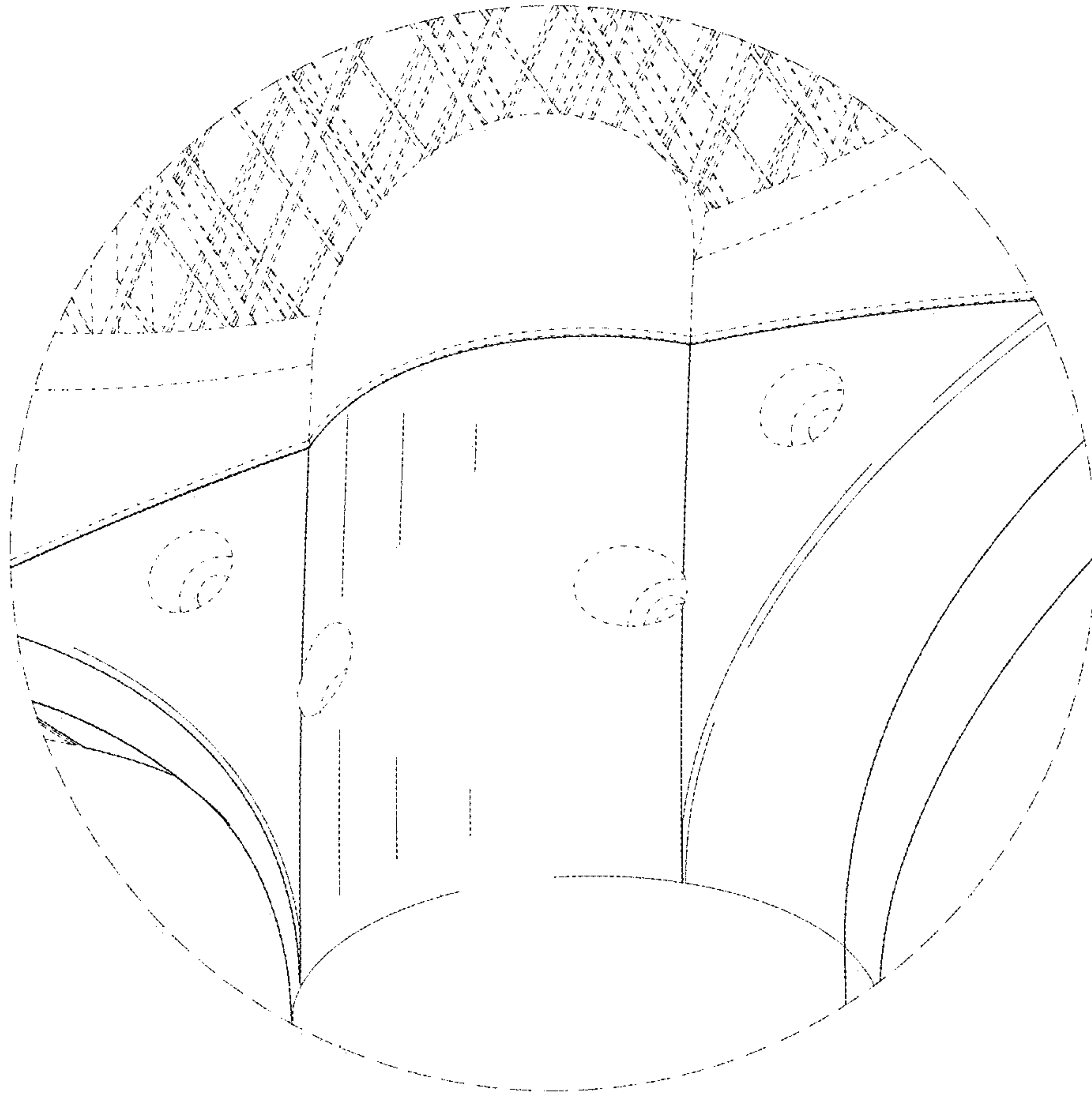


FIG. 12

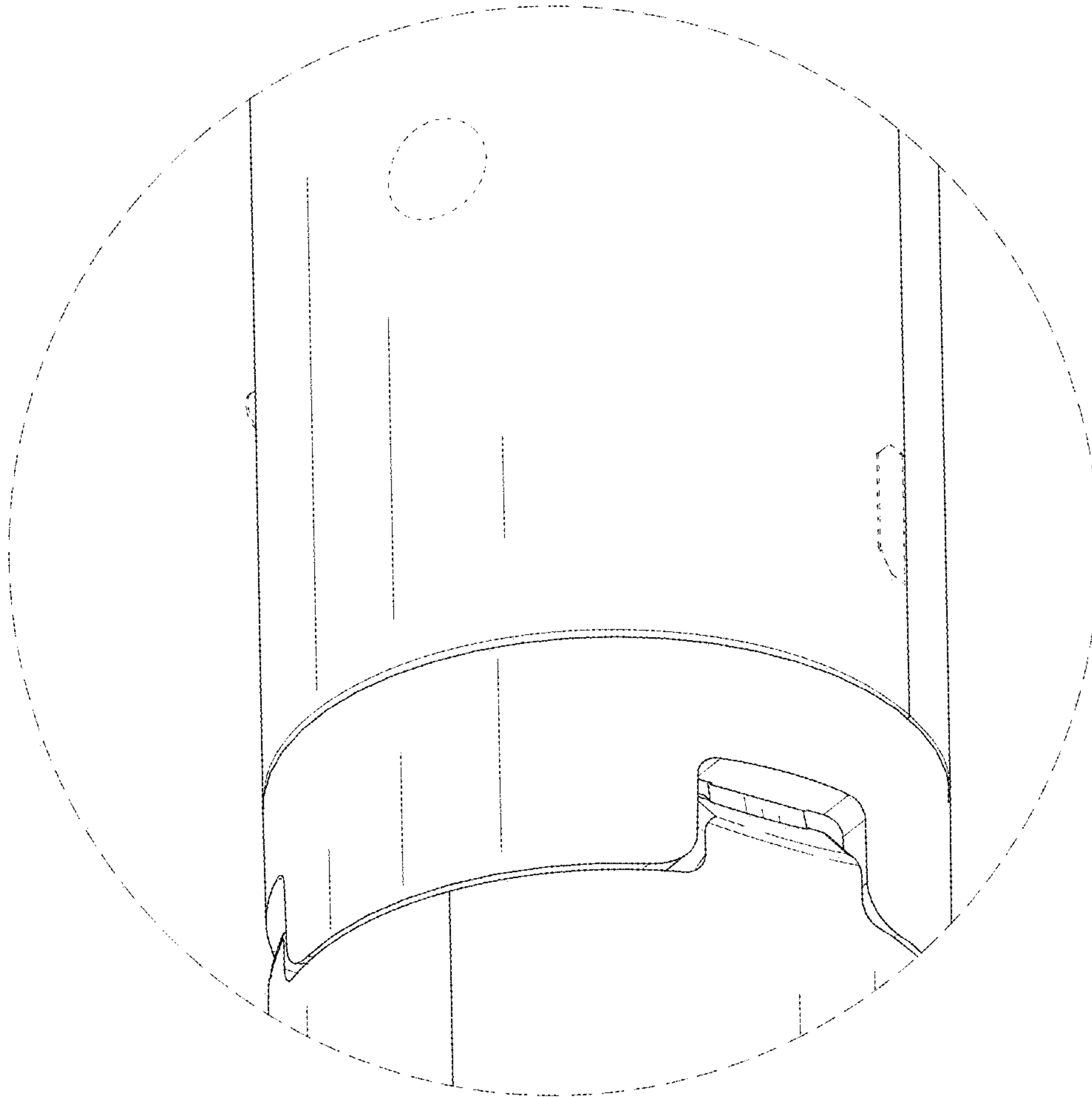


FIG. 13

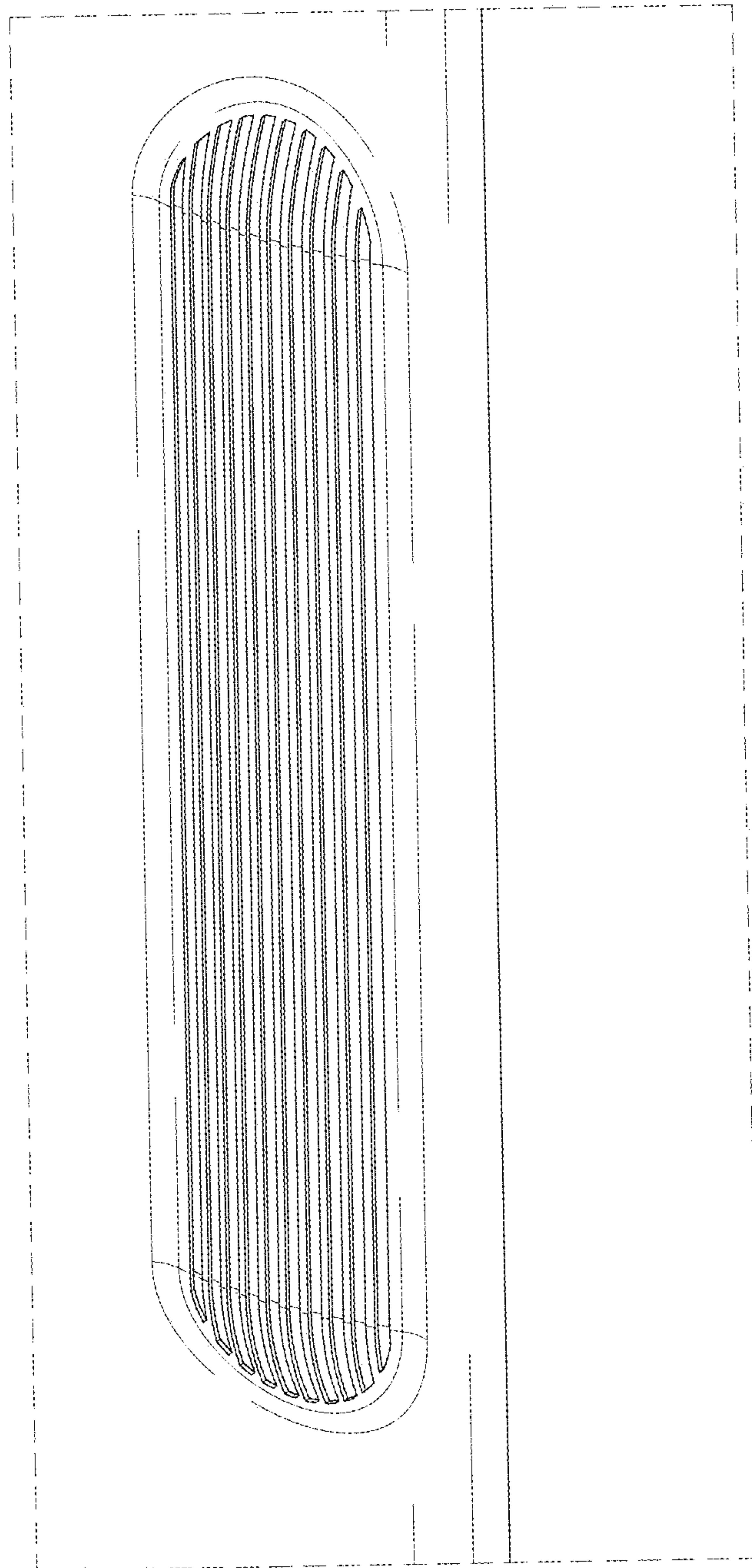


FIG. 14

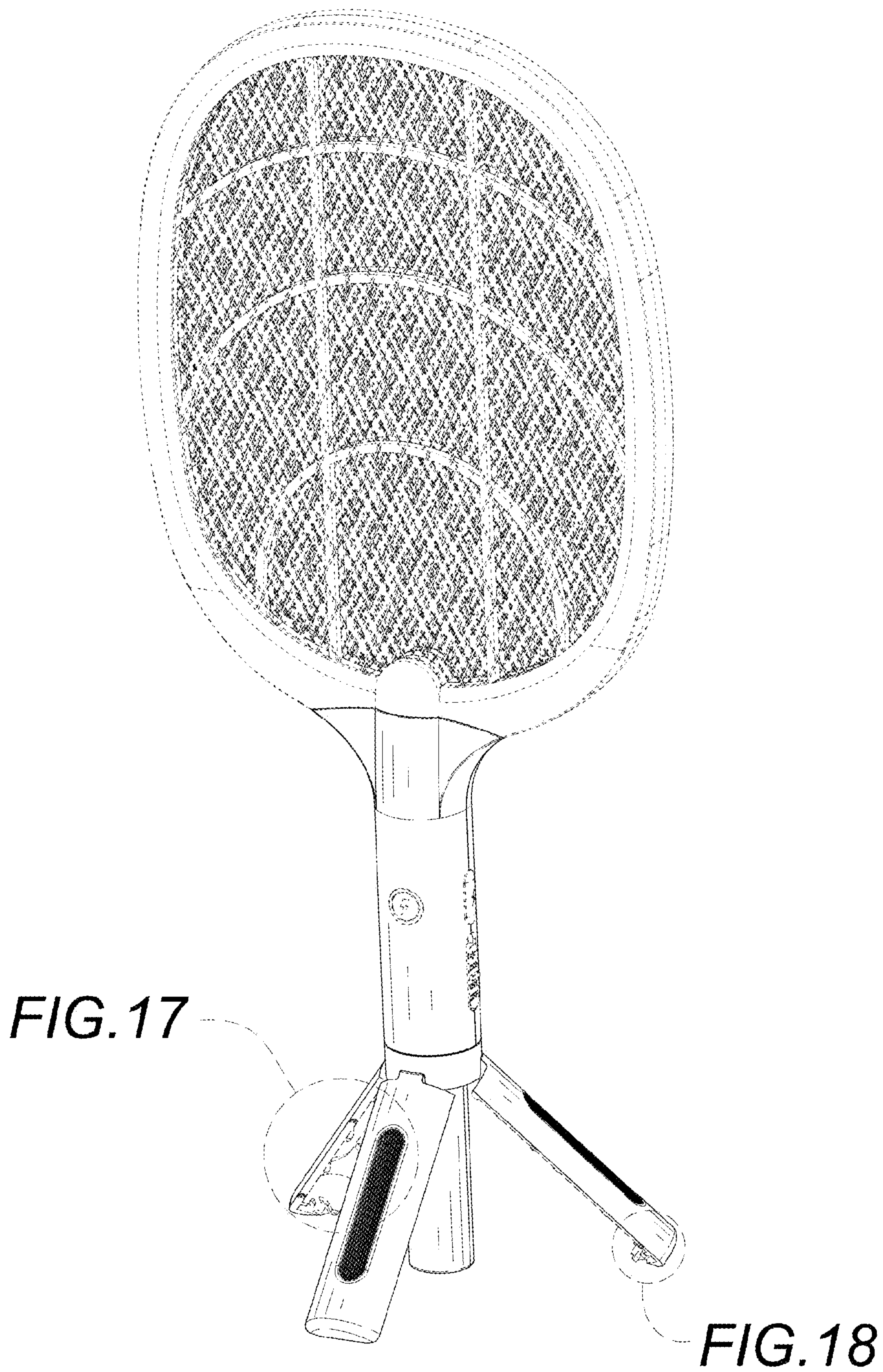


FIG. 15

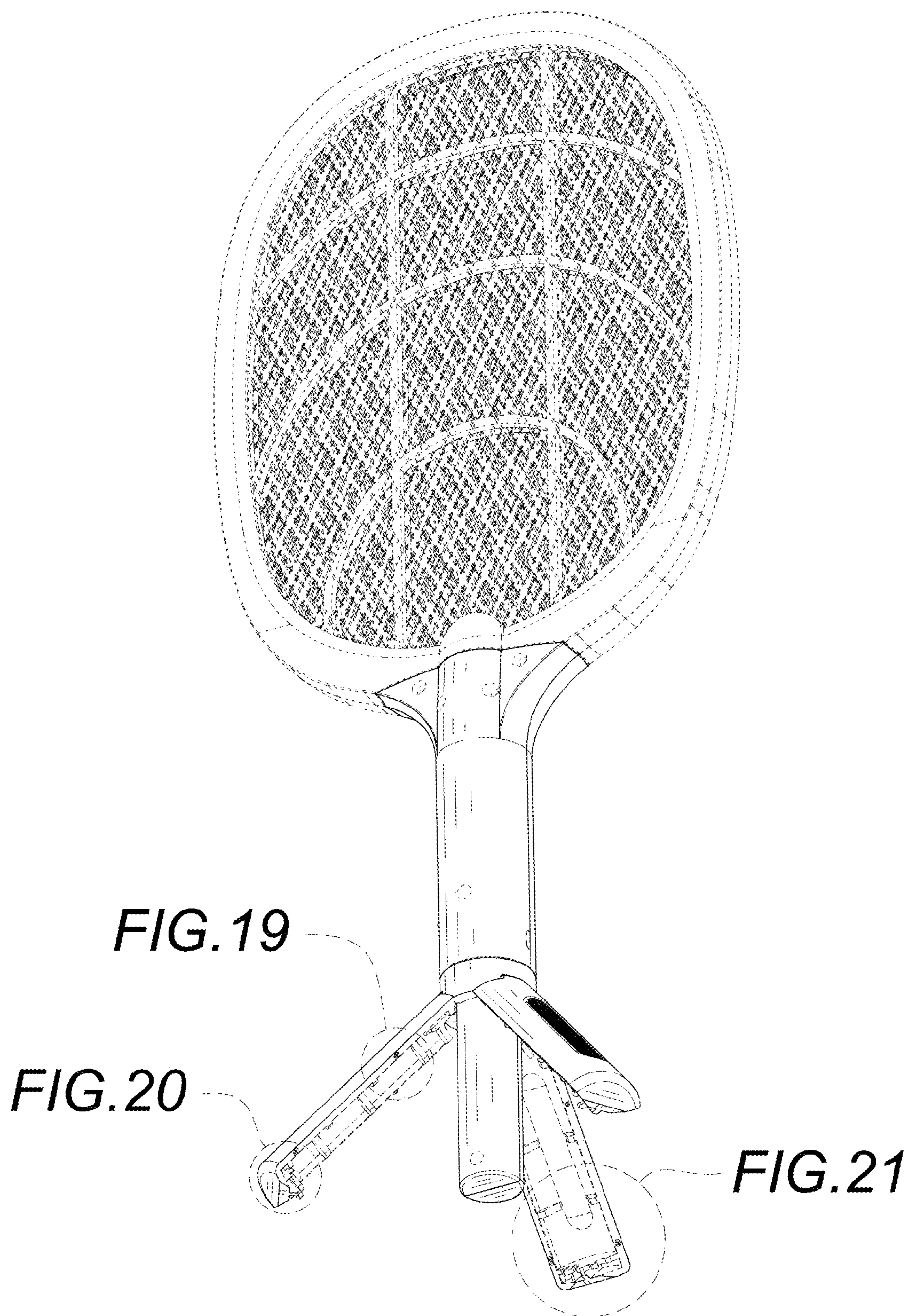


FIG. 16

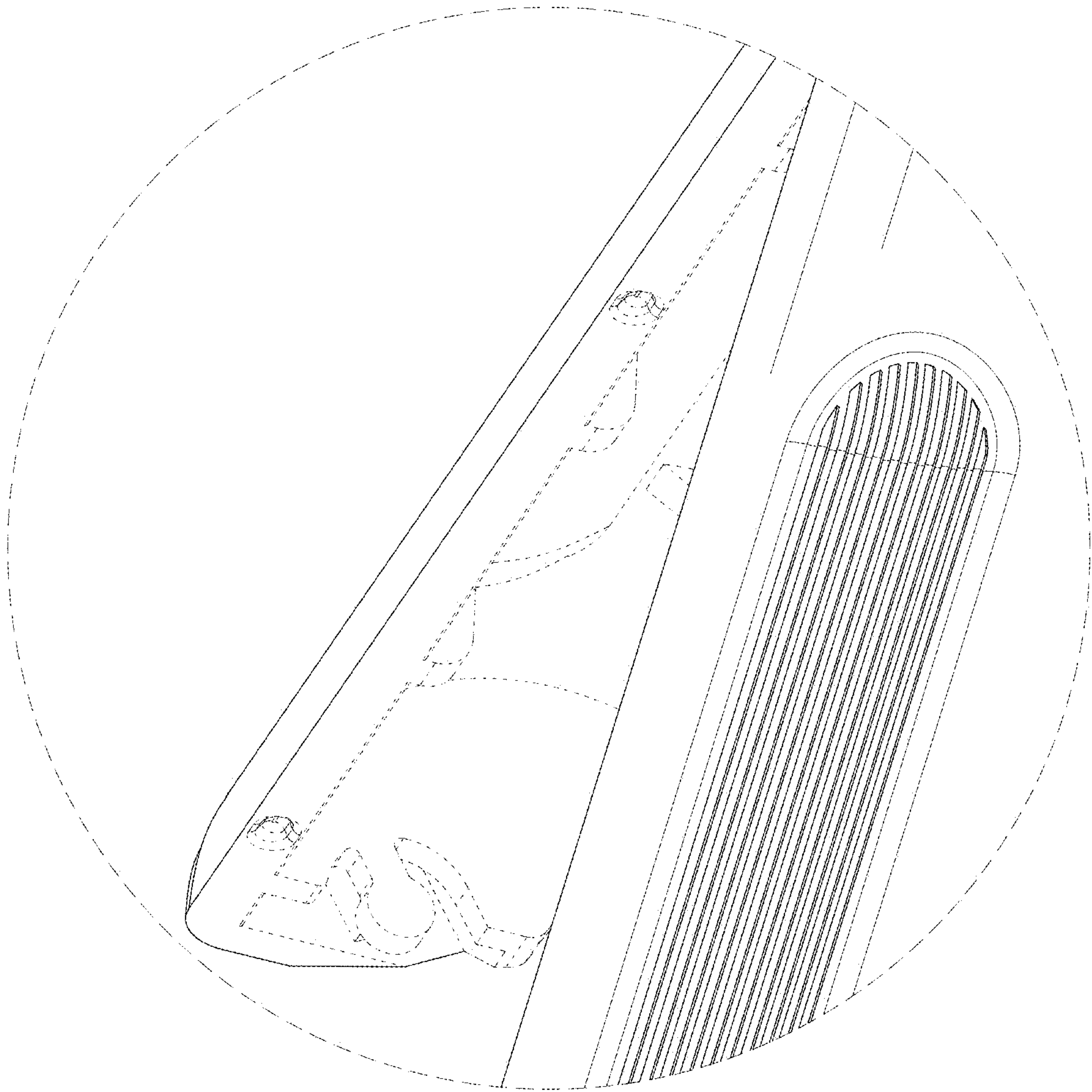


FIG. 17

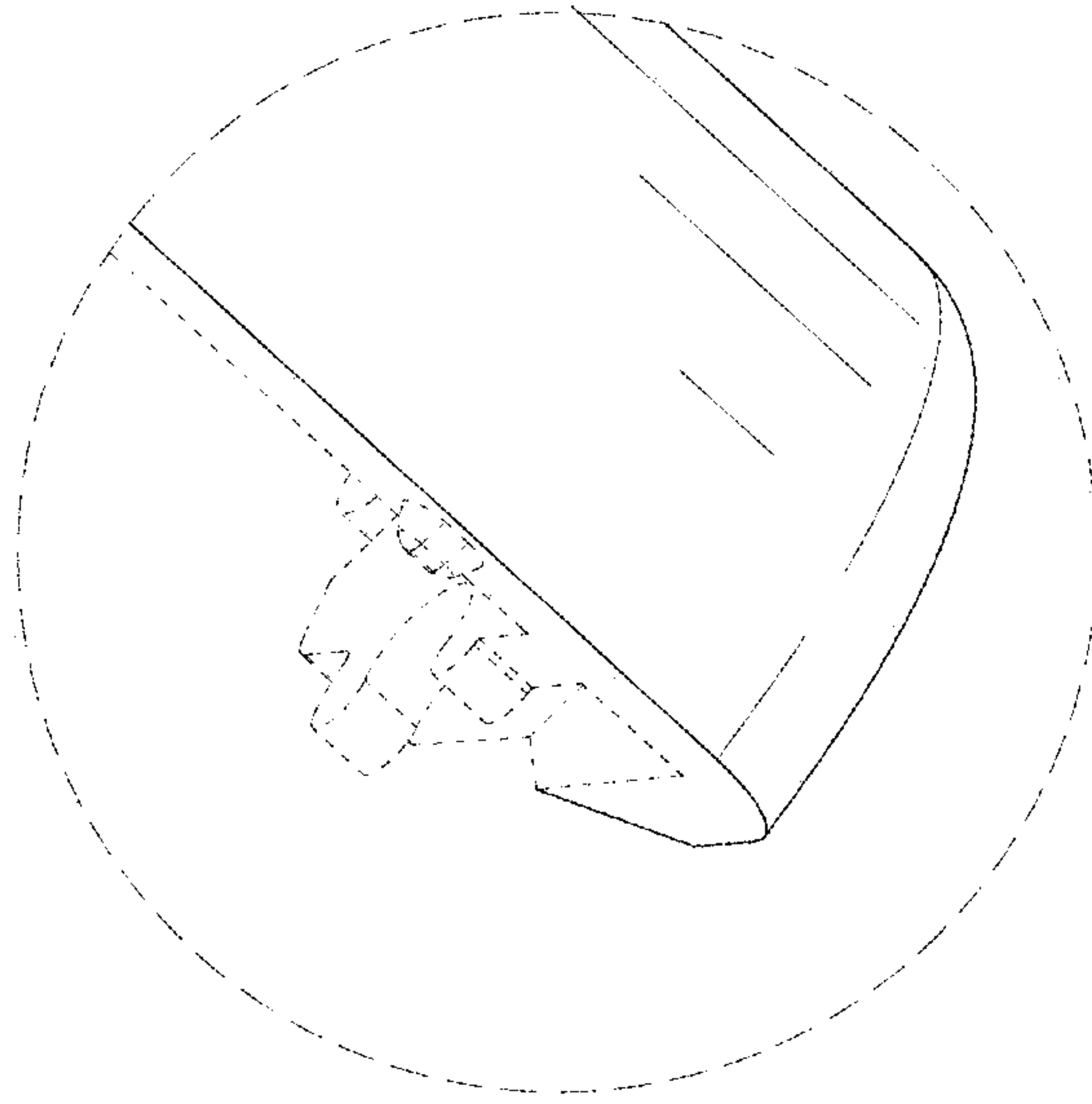


FIG. 18

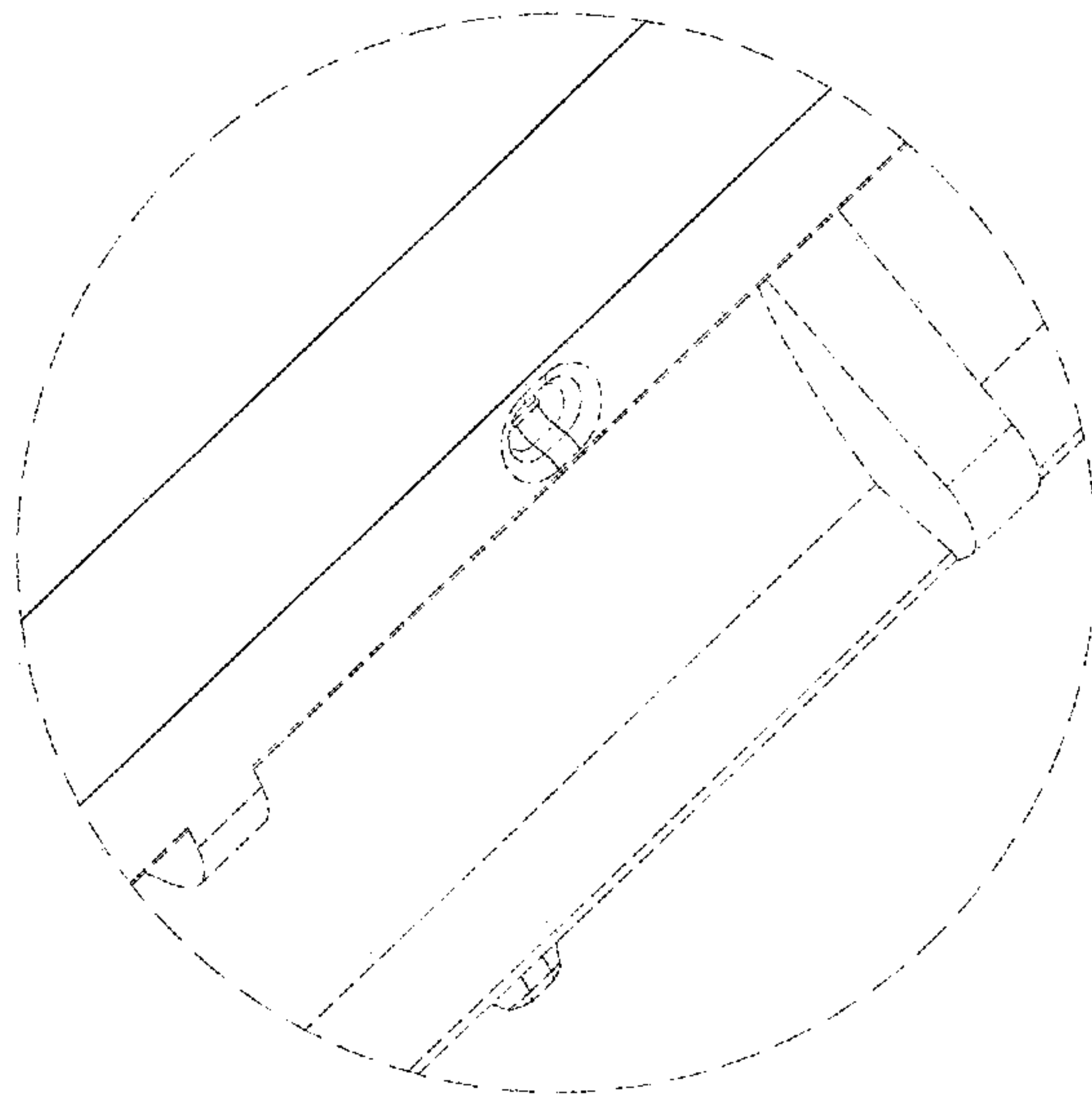


FIG. 19

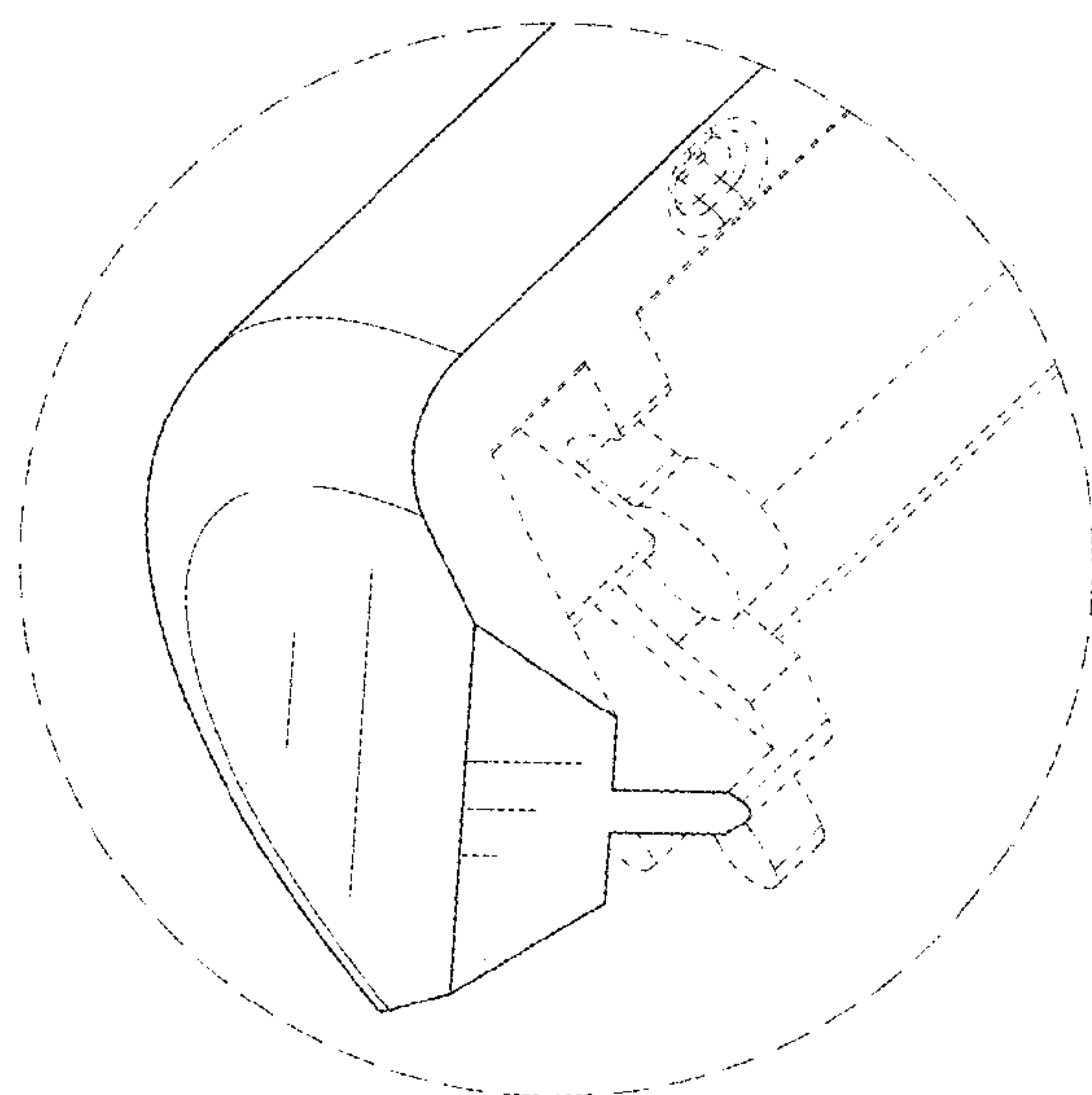


FIG. 20

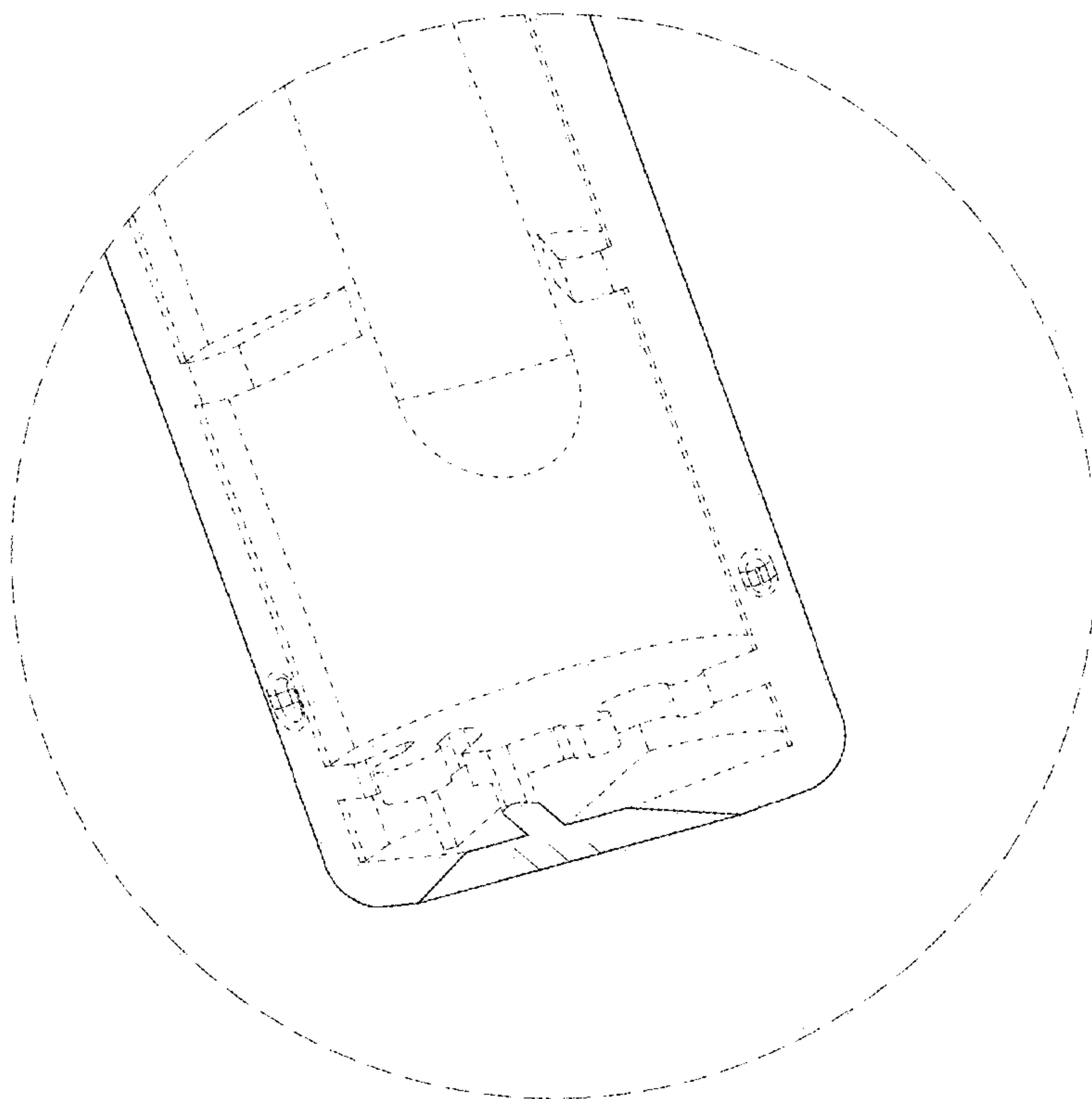


FIG. 21