



US00D981526S

(12) **United States Design Patent** (10) **Patent No.:** **US D981,526 S**
Liao (45) **Date of Patent:** **** Mar. 21, 2023**

(54) **ELECTRIC MOSQUITO SWATTER**
(71) Applicant: **Foshan Shunde Lexueer Electric Co., Ltd.**, Guangdong Province (CN)
(72) Inventor: **Baozhu Liao**, Guangdong Province (CN)
(**) Term: **15 Years**
(21) Appl. No.: **29/773,638**
(22) Filed: **Mar. 10, 2021**
(30) **Foreign Application Priority Data**

Sep. 11, 2020 (CN) 202030537636.6
(51) **LOC (14) Cl.** **22-06**
(52) **U.S. Cl.**
USPC **D22/124**
(58) **Field of Classification Search**
USPC D22/138-139, 122-124; D10/120-121; D21/725, 729, 731; D3/1-3; D23/370; D26/37, 41
CPC A01M 1/023; A01M 1/223; A01M 1/106; A01M 2200/012; A01M 29/12; A01M 29/16; A01M 29/34; A01M 29/28; A01M 31/008; A01M 1/145; A01M 1/026; A01M 1/2011; A01M 29/00; A01M 1/08; A01M 1/04; A01M 3/00; A01M 3/02; A01M 3/025; A01M 1/02; A01M 1/10; A01M 1/14; A01M 1/2016; A01M 2200/01; A01M 2200/011; A63B 49/00; A63B 59/80; A63B 60/06; A63B 60/08; A63B 60/10; A63B 60/16; A63B 49/02; A63B 49/10; A63B 53/14; A63B 49/08; A63B 9/12; C25B 11/043; C25B 9/17; Y02A 50/30; Y02A 50/371; B08B 1/005; F21V 21/0824; F21W 2131/109; B65D 43/14; B65D 43/26; B65D 43/06; B65D 43/32

See application file for complete search history.

(56) **References Cited**
U.S. PATENT DOCUMENTS
2,881,554 A * 4/1959 Laine A01M 3/025 D22/124
5,377,446 A * 1/1995 DiLeo A01M 3/02 43/137
(Continued)

FOREIGN PATENT DOCUMENTS
CN 202130698543.6 * 4/2022
CN 202230213674.5 * 4/2022
CN 202230339203.9 * 6/2022

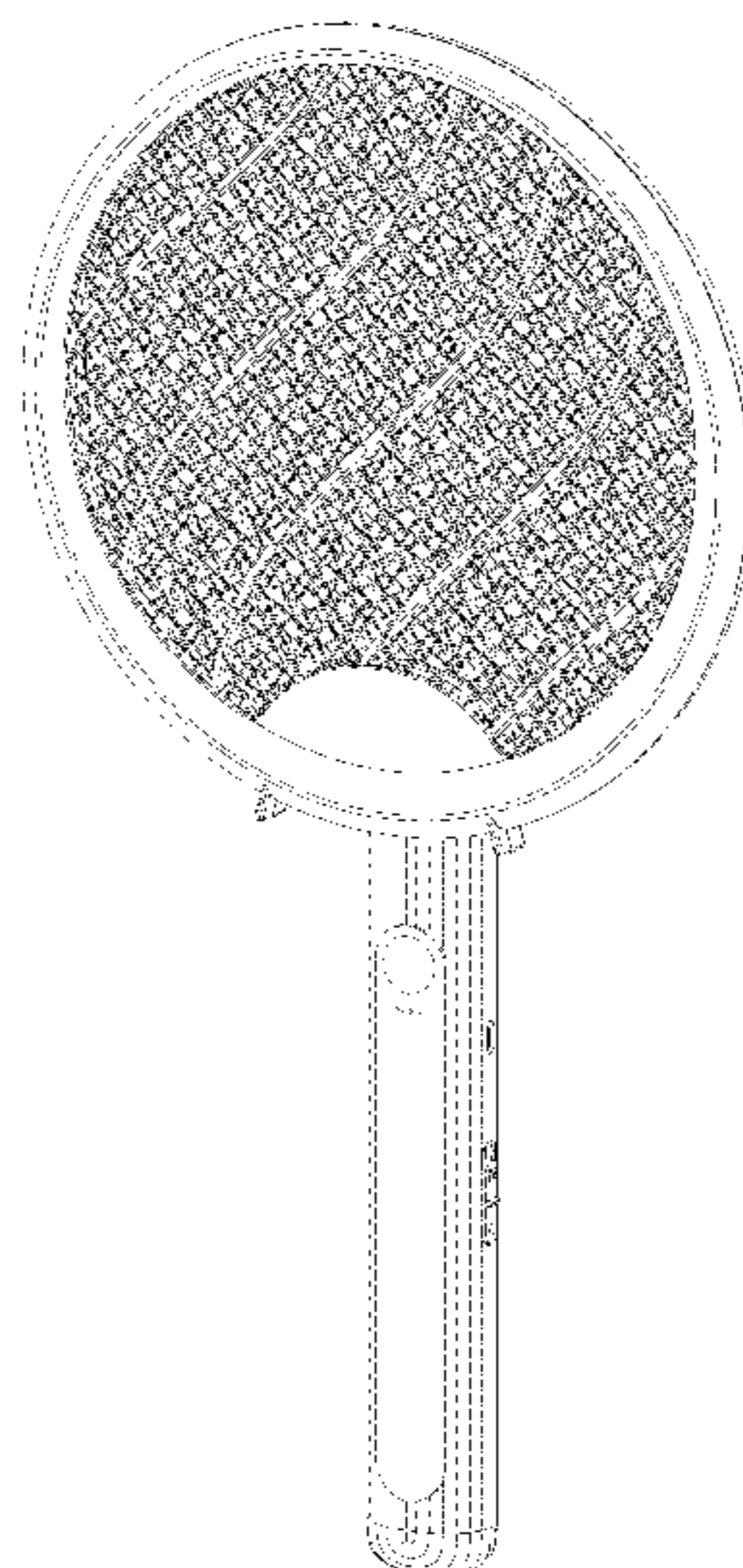
OTHER PUBLICATIONS
IClean, posted Jul. 7, 2021 [online], [retrieved Nov. 7, 2022]. Retrieved from internet, <https://www.youtube.com/watch?v=MbaNkUvfln4> (Date:2022) (Year: 2021).*
(Continued)

Primary Examiner — Christian P. McLean
Assistant Examiner — Kristopher Michael Blechschmidt
(74) *Attorney, Agent, or Firm* — Prakash Nama; Global IP Services, PLLC

(57) **CLAIM**
The ornamental design for an electric mosquito swatter, as shown.

DESCRIPTION
FIG. 1 is a front elevational view of an electric mosquito swatter showing my new design;
FIG. 2 is a rear elevational view thereof;
FIG. 3 is a left side view thereof;
FIG. 4 is a right side view thereof;
FIG. 5 is a top plan view thereof;
FIG. 6 is a bottom plan view thereof;
FIG. 7 is a perspective view thereof; and,
FIG. 8 is another perspective view thereof.

1 Claim, 7 Drawing Sheets



(56)

References Cited

U.S. PATENT DOCUMENTS

D518,867 S * 4/2006 Dow D22/124
D722,673 S * 2/2015 Dayan D22/123
D918,333 S * 5/2021 Qiu D22/124
D925,692 S * 7/2021 Huang D22/124
D938,545 S * 12/2021 Pang D22/124
D949,280 S * 4/2022 Zheng D22/124
D950,003 S * 4/2022 Zhong D22/123
D965,730 S * 10/2022 Huang D22/123
2017/0071185 A1 * 3/2017 Janowski A01M 3/025

OTHER PUBLICATIONS

Cool Zapper with caveat, posted unknown [online], [retrieved Apr. 30, 2022]. Retrieved from internet, [https://www.amazon.com/dp/B09M8CNW9Y/ref=sbl_dpx_outdoor-bug-zappers_B002C3SZMI_0\(Date:2022 \) \(Year: 2022\).](https://www.amazon.com/dp/B09M8CNW9Y/ref=sbl_dpx_outdoor-bug-zappers_B002C3SZMI_0(Date:2022) (Year: 2022).)*

Best electronic bug swatter I've ever used! posted Apr. 22, 2022[online], [retrieved Apr. 30, 2022]. Retrieved from internet, [https://www.amazon.com/dp/B09M8CNW9Y/ref=sspa_dk_detail_2?ie=UTF8&psc=1&s=lawn-garden&sp \(Date:2022 \) \(Year: 2022\).](https://www.amazon.com/dp/B09M8CNW9Y/ref=sspa_dk_detail_2?ie=UTF8&psc=1&s=lawn-garden&sp (Date:2022) (Year: 2022).)*

* cited by examiner

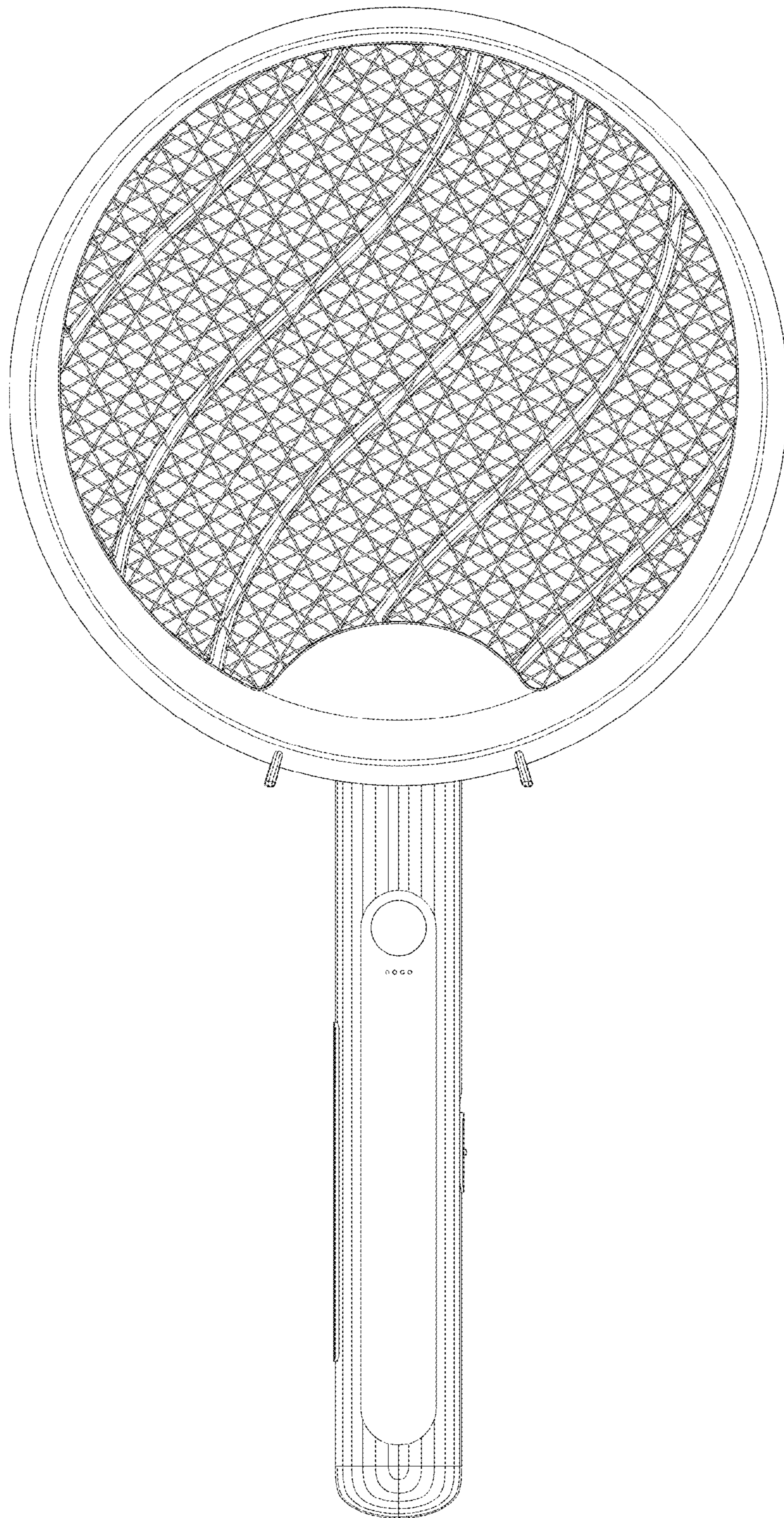


FIG. 1

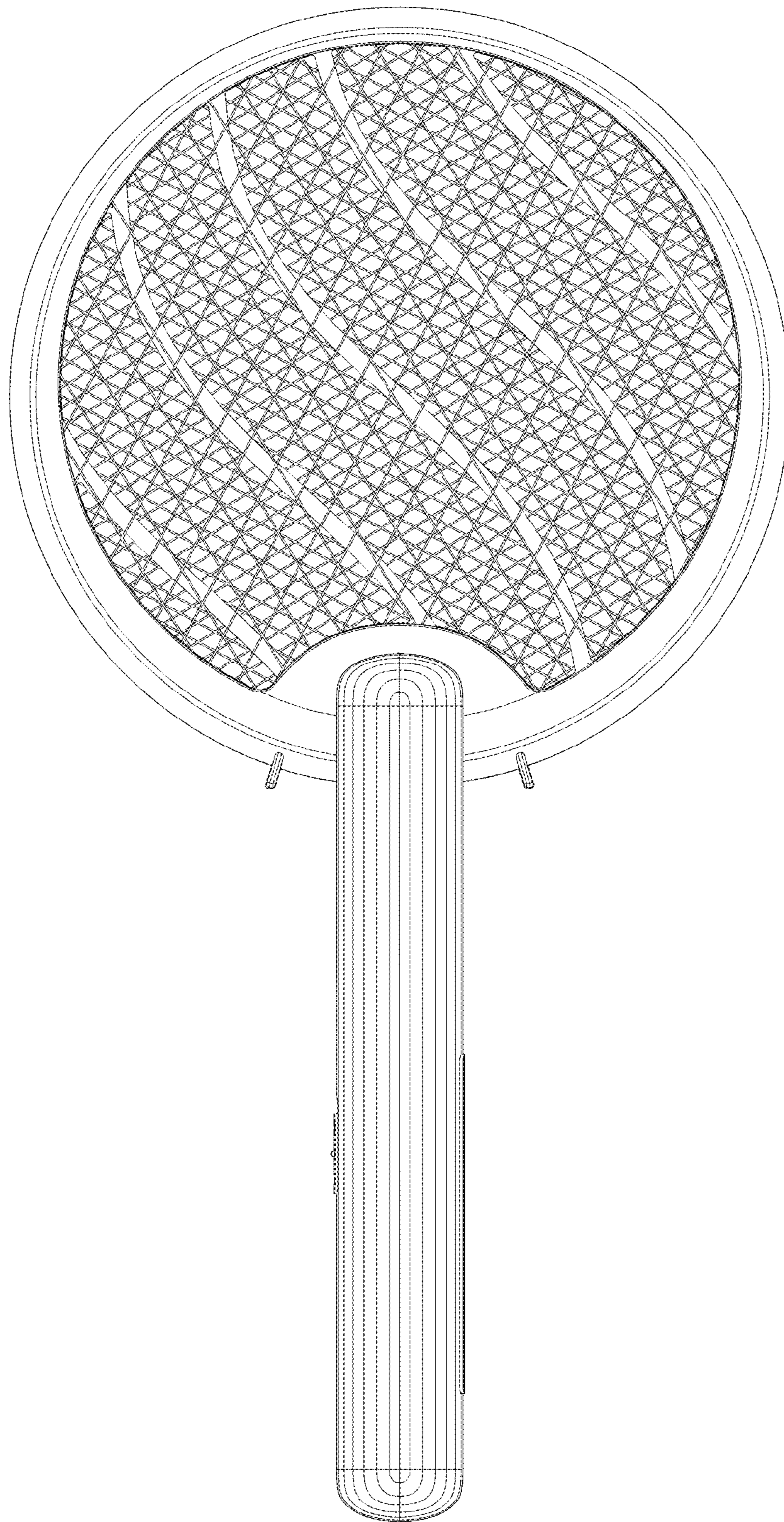


FIG. 2

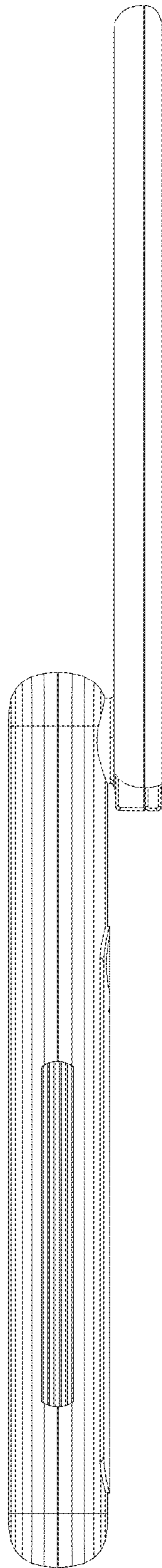


FIG. 3

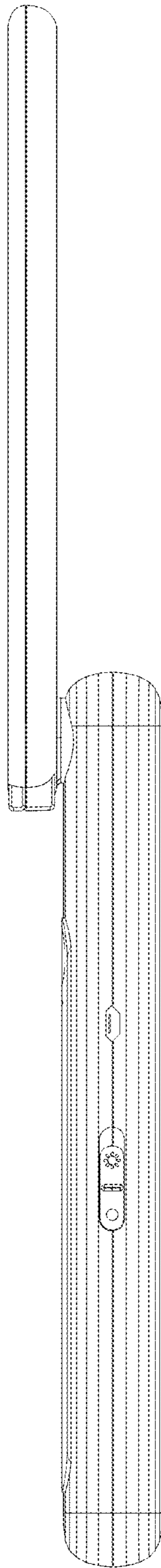


FIG. 4

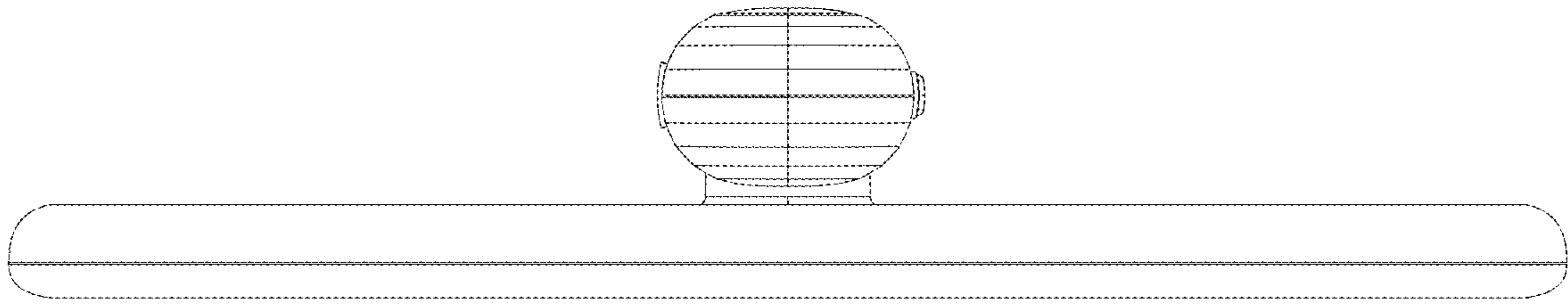


FIG. 5

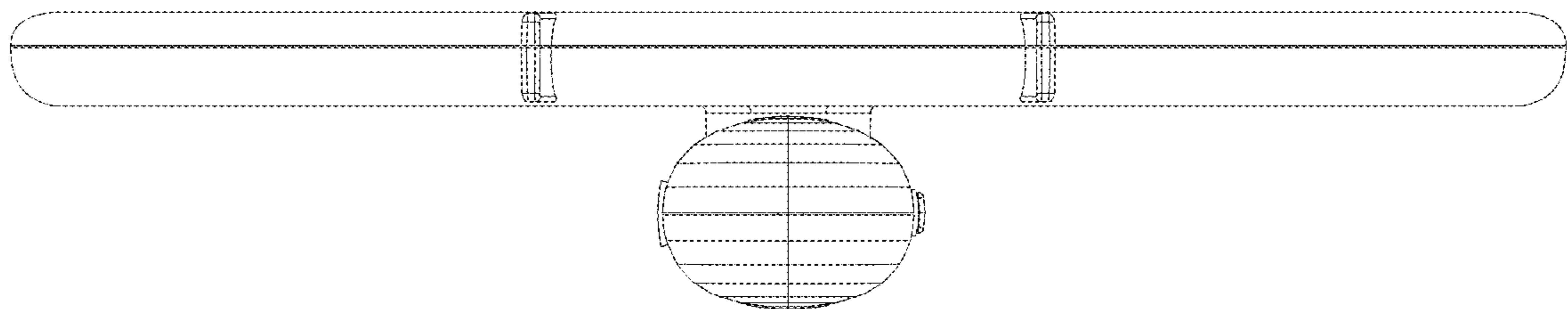


FIG. 6

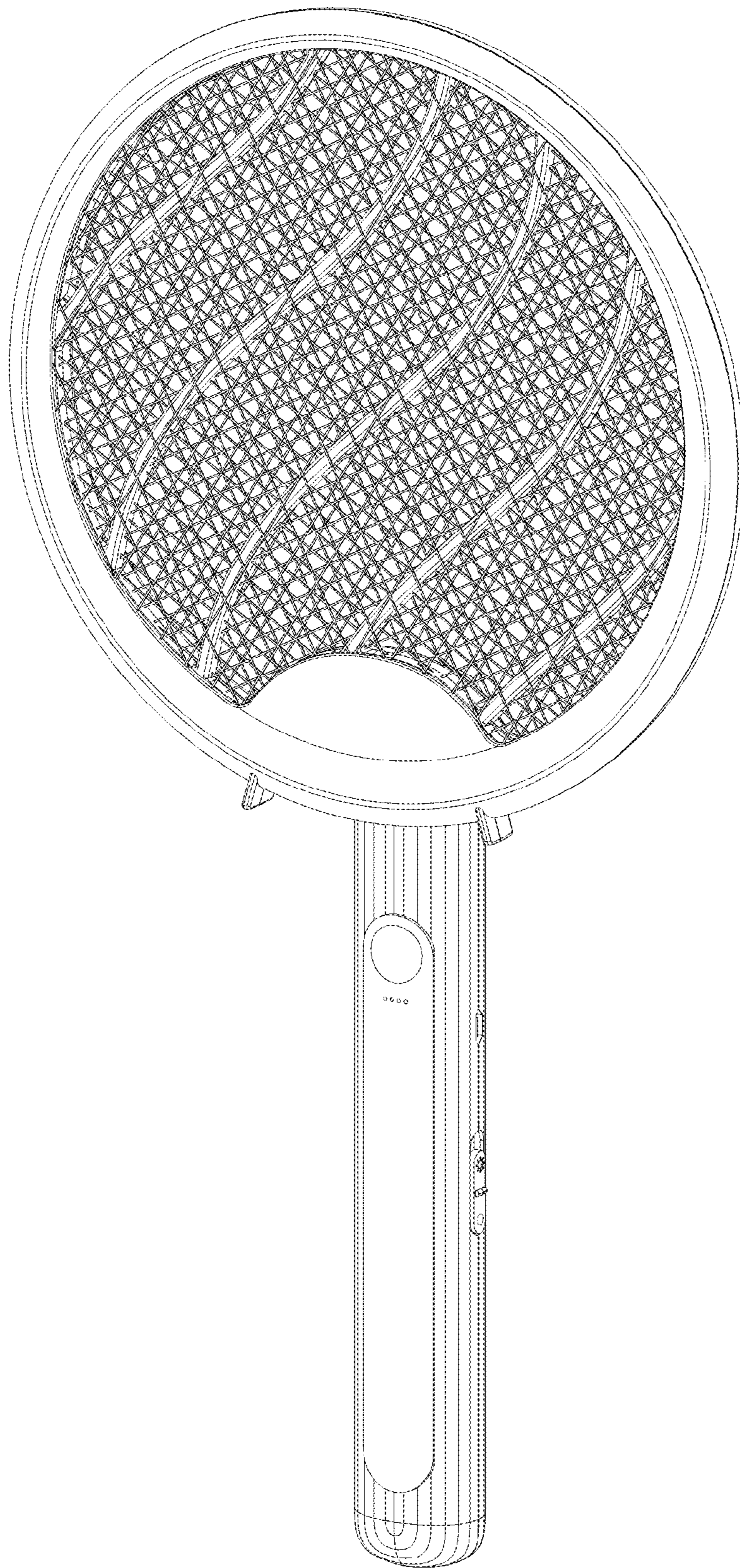


FIG. 7

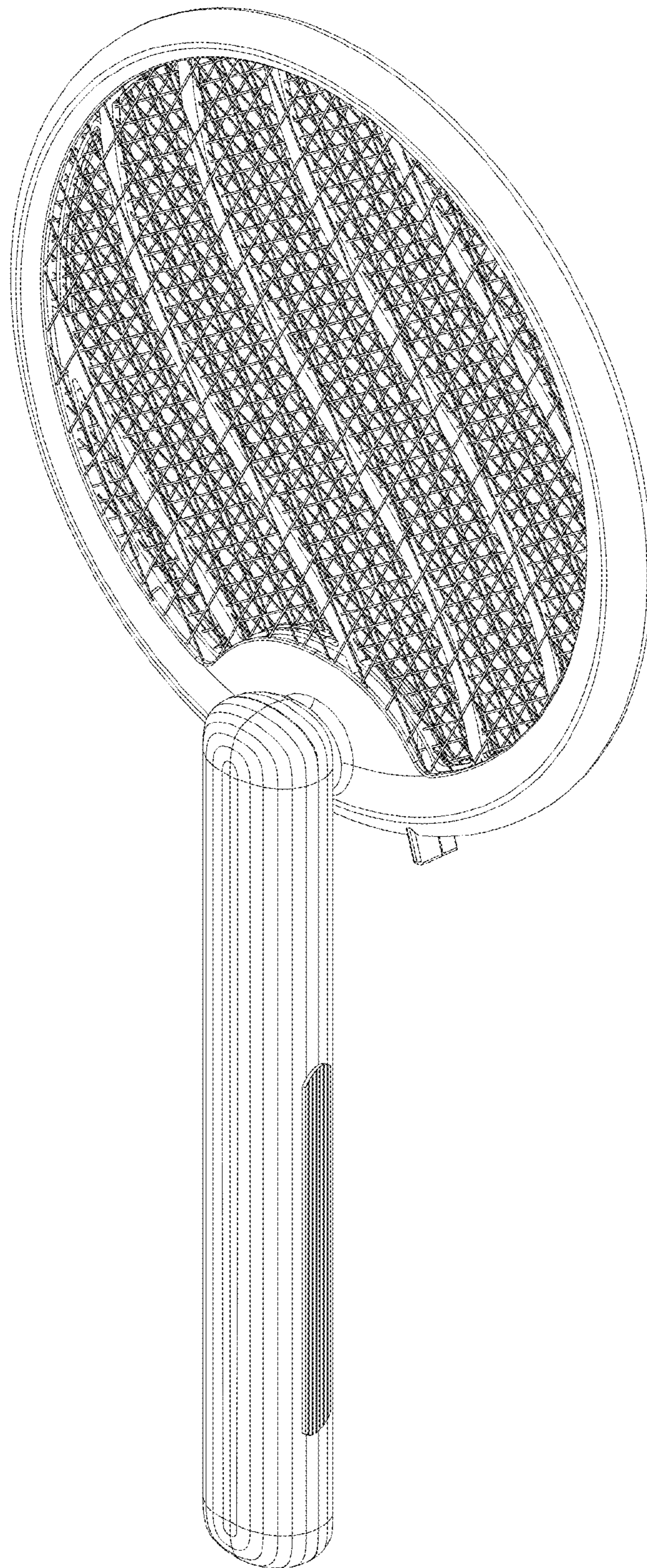


FIG. 8