



US00D981525S

(12) **United States Design Patent**
Rubel et al.

(10) **Patent No.:** **US D981,525 S**
(45) **Date of Patent:** **** Mar. 21, 2023**

(54) **INSECT ELIMINATING DEVICE**
(71) Applicant: **PIC Corporation**, Linden, NJ (US)
(72) Inventors: **Eric Rubel**, Westfield, NJ (US); **Lisa M. French**, Belford, NJ (US); **David L. Lowe**, Port Monmouth, NJ (US); **Lawrence E. Bradford**, Westfield, NJ (US)
(73) Assignee: **PIC Corporation**, Linden, NJ (US)
(**) Term: **15 Years**
(21) Appl. No.: **29/775,616**
(22) Filed: **Mar. 24, 2021**
(51) **LOC (14) Cl.** **22-06**
(52) **U.S. Cl.**
USPC **D22/123**
(58) **Field of Classification Search**
USPC D22/122-123; 43/107, 112, 137;
D26/37; D23/366-368

(Continued)

(56) **References Cited**

U.S. PATENT DOCUMENTS

D283,153 S * 3/1986 DeYoreo D22/123
D294,060 S * 2/1988 Rogers D22/122

(Continued)

OTHER PUBLICATIONS

https://www.amazon.com/BIOGENTS-Mosquito-Targeting-Electric-Attractant/dp/B08XY3N8B6/ref=sr_1_52_sspa?crid=1TK32J8TP84YZ&keywords=mosquito%2Btraps&qid=1665851550&qu=eyJxc2MiOil2LjAzliwicXNhIjoINS45MCIslNFzcCI6IjUuNjMifQ%3D%3D&srefix=mosquito%2Btraps%2Caps%2C81&sr=8-52-spons&th=1 (Year: 2021).*

(Continued)

Primary Examiner — Catherine R Oliver-Garcia
(74) *Attorney, Agent, or Firm* — Amster, Rothstein & Ebenstein LLP

(57) **CLAIM**

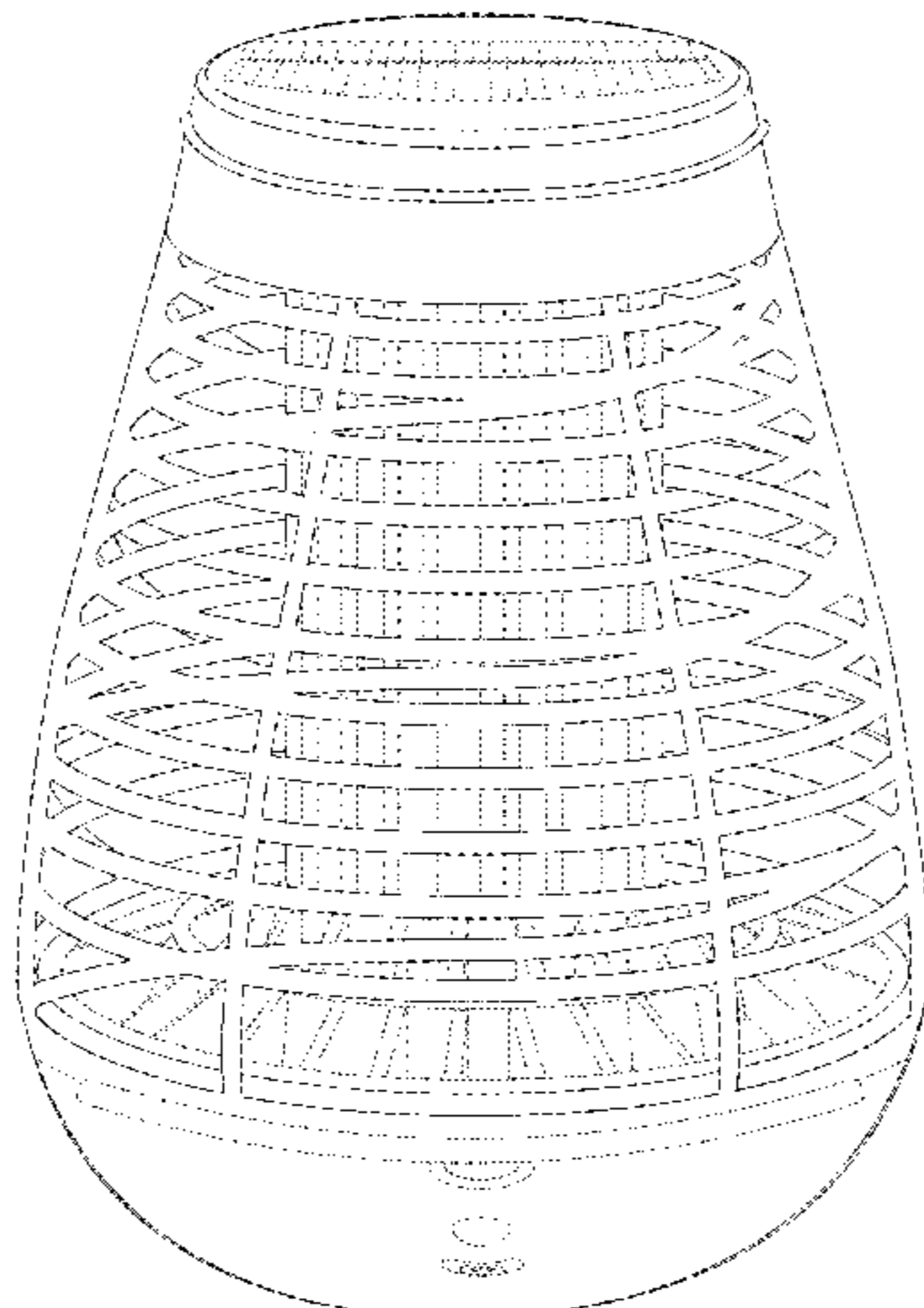
The ornamental design for an insect eliminating device, as shown and described.

DESCRIPTION

FIG. 1 is a bottom perspective view of an insect eliminating device showing our new design;

FIG. 2 is a front view thereof;
FIG. 3 is a rear view thereof;
FIG. 4 is a side view thereof;
FIG. 5 is an opposite side view thereof;
FIG. 6 is a top view thereof;
FIG. 7 is a bottom view thereof;
FIG. 8 is a top perspective view thereof;
FIG. 9 is a bottom perspective view of another embodiment of an insect eliminating device showing our new design;
FIG. 10 is a front view thereof;
FIG. 11 is a rear view thereof;
FIG. 12 is a side view thereof;
FIG. 13 is an opposite side view thereof;
FIG. 14 is a top view thereof;
FIG. 15 is a bottom view thereof;
FIG. 16 is a top perspective view thereof;
FIG. 17 is a bottom perspective view of another embodiment of an insect eliminating device showing our new design;
FIG. 18 is a front view thereof;
FIG. 19 is a rear view thereof;
FIG. 20 is a side view thereof;
FIG. 21 is an opposite side view thereof;
FIG. 22 is a top view thereof;
FIG. 23 is a bottom view thereof;
FIG. 24 is a top perspective view thereof;
FIG. 25 is a bottom perspective view of another embodiment of an insect eliminating device showing our new design;
FIG. 26 is a front view thereof;
FIG. 27 is a rear perspective view thereof;
FIG. 28 is a side view thereof;
FIG. 29 is an opposite side view thereof;
FIG. 30 is a top view thereof;
FIG. 31 is a bottom view thereof; and,
FIG. 32 is a top perspective view thereof.
The broken line showing of portions of the insect eliminating device is included for the purpose of illustrating only and forms no part of the claimed design.

1 Claim, 32 Drawing Sheets



(58) **Field of Classification Search**

CPC A01M 1/00; A01M 1/02; A01M 1/04;
A01M 1/08; A01M 1/106; A01M 1/223;
A01M 29/34; A01M 2200/011; A01M
2200/012; F21L 13/08

See application file for complete search history.

(56) **References Cited**

U.S. PATENT DOCUMENTS

D302,577 S * 8/1989 Lee D22/123
D302,578 S * 8/1989 Lee D22/123
4,951,414 A * 8/1990 Mewissen A01M 1/223
43/112
D633,191 S * 2/2011 Sato D23/366
D786,390 S * 5/2017 Kim D22/122
D870,233 S * 12/2019 Zhu D22/123
D949,281 S * 4/2022 Peng D22/123
D966,588 S * 10/2022 Liang D26/37

OTHER PUBLICATIONS

https://www.amazon.com/PIC-Portable-Insect-Killer-Contact/dp/B08XDXRV14/ref=sr_1_6?crid=2EGNHK9CXOSHF&keywords=pic+insect+killer+torch+solar&qid=1667218592&qu=eyJxc2MiOilzLjAzliwicXNhjoiMy4wMSIsInFzcCI6IjluNjEifQ%3D%3D&srefix=pic+inse%2Caps%2C65&sr=8-6 (Year: 2021).*

* cited by examiner

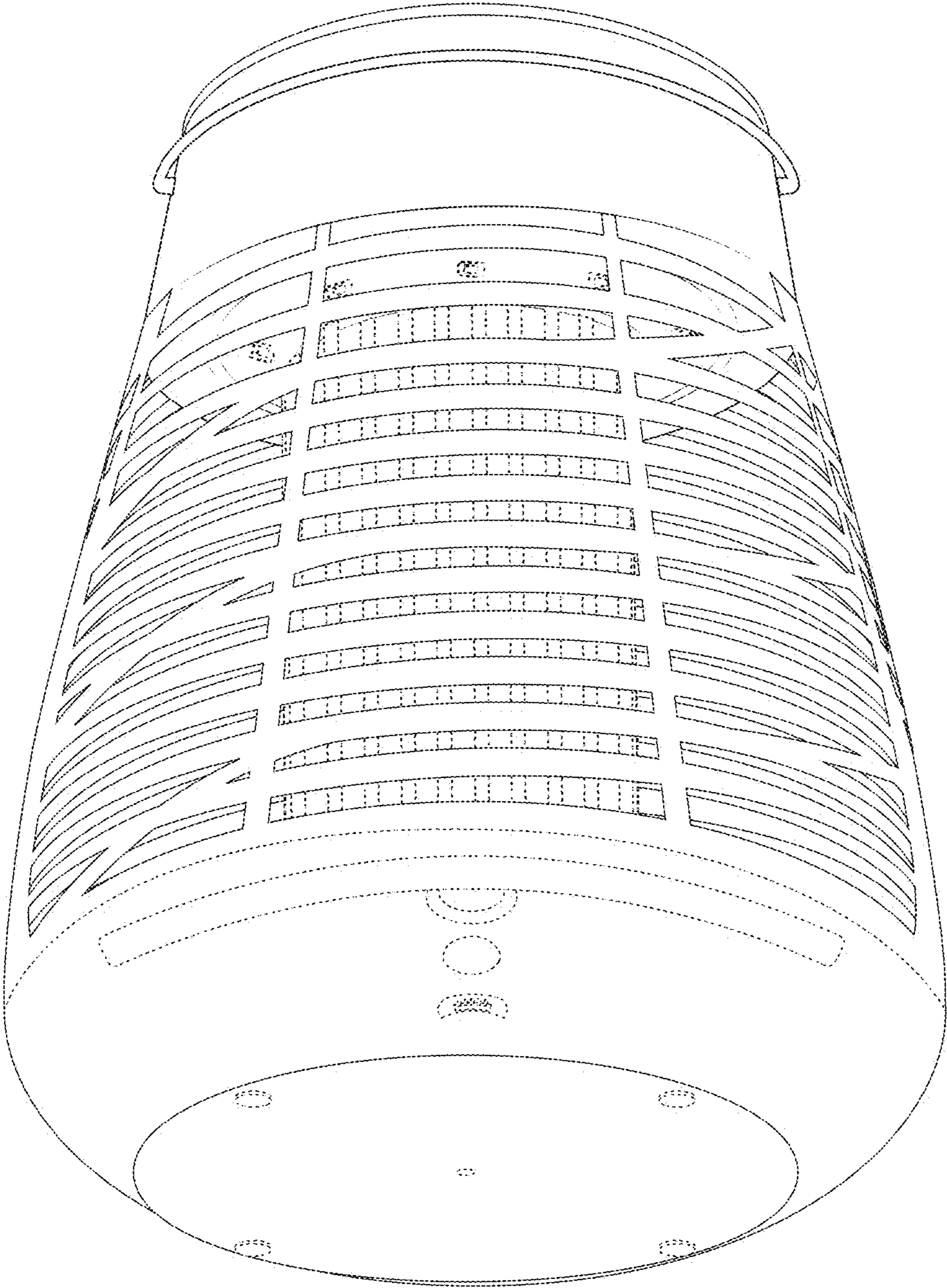


FIG. 1

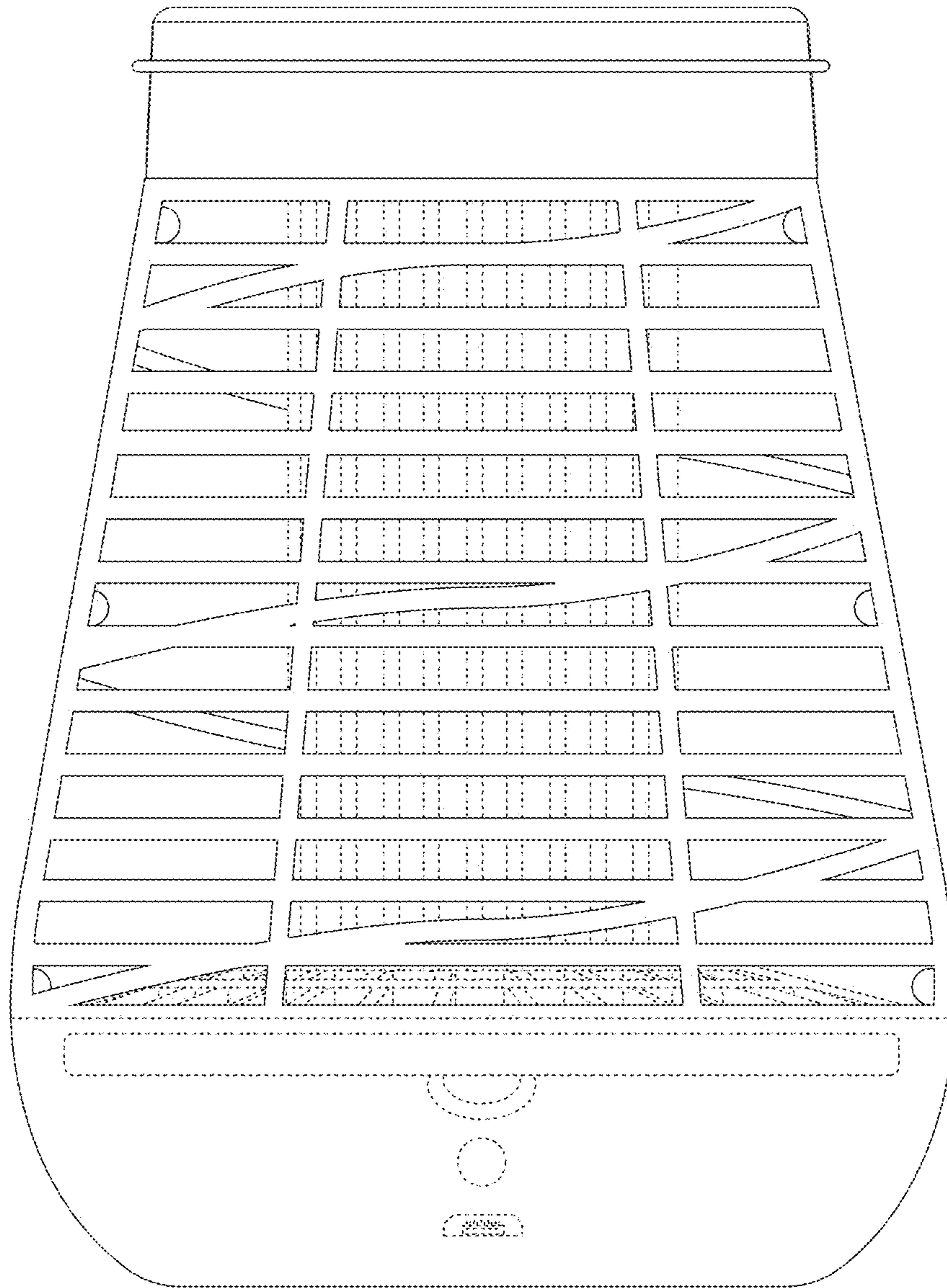


FIG. 2

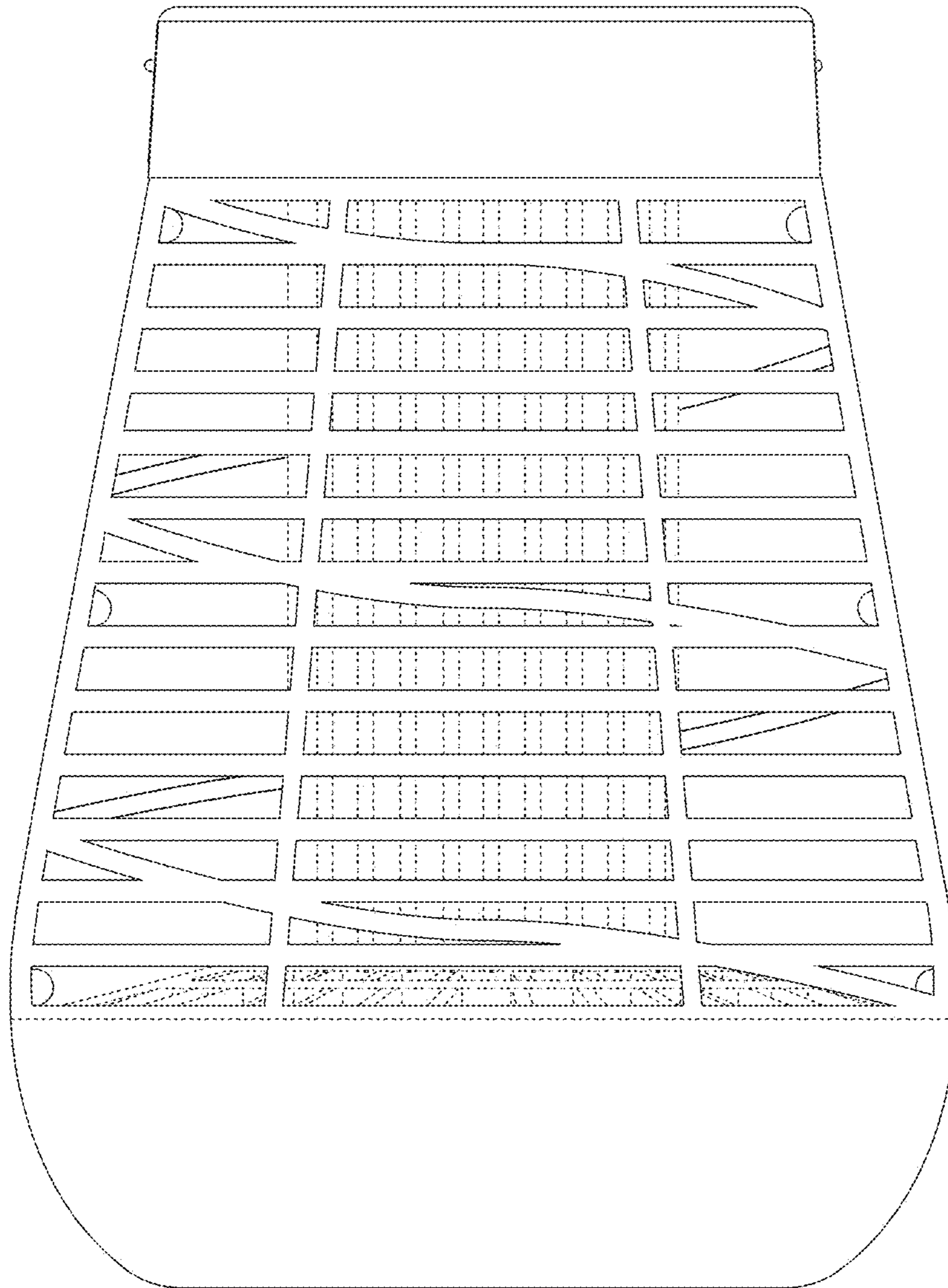


FIG. 3

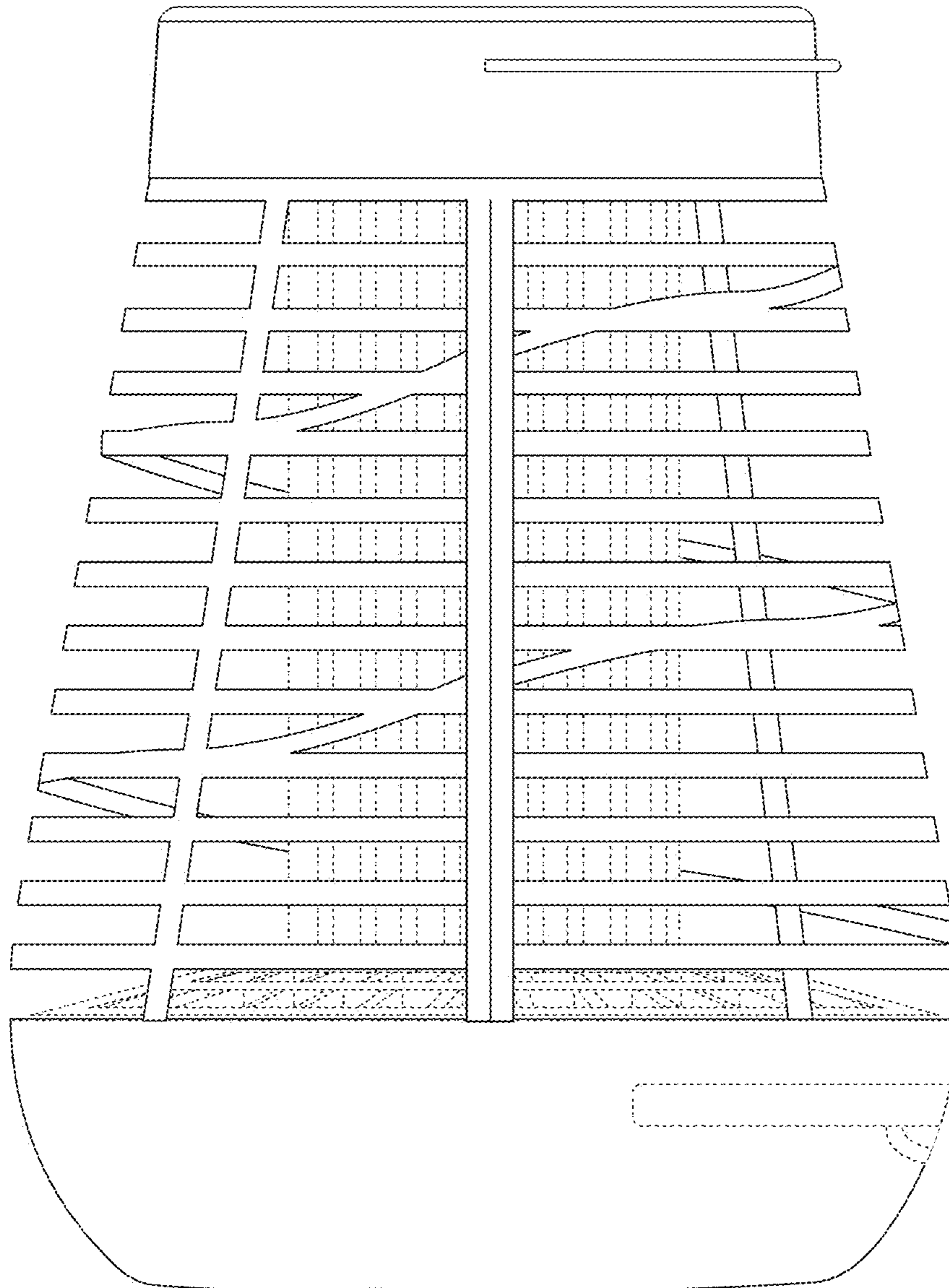


FIG. 4

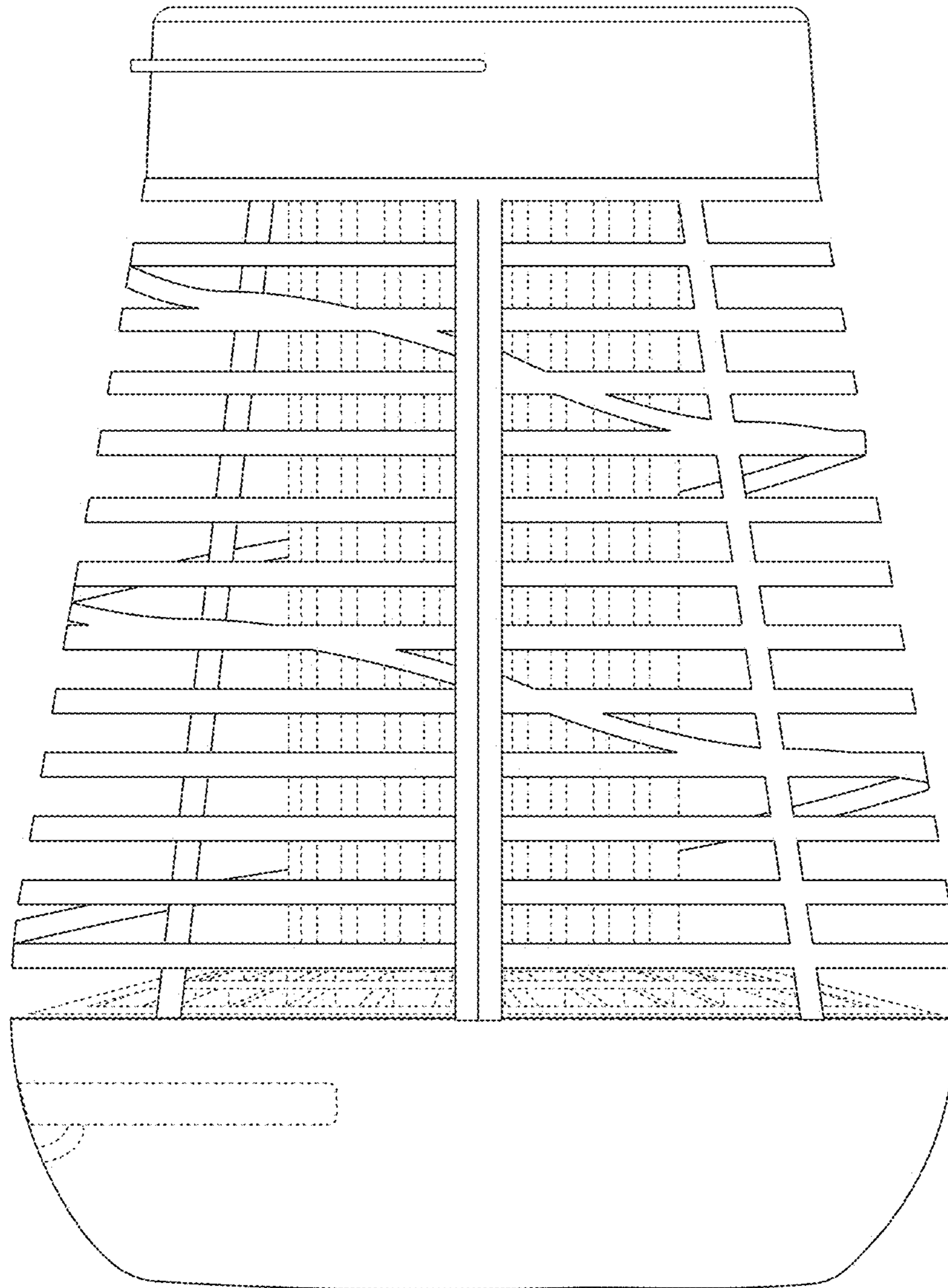


FIG. 5

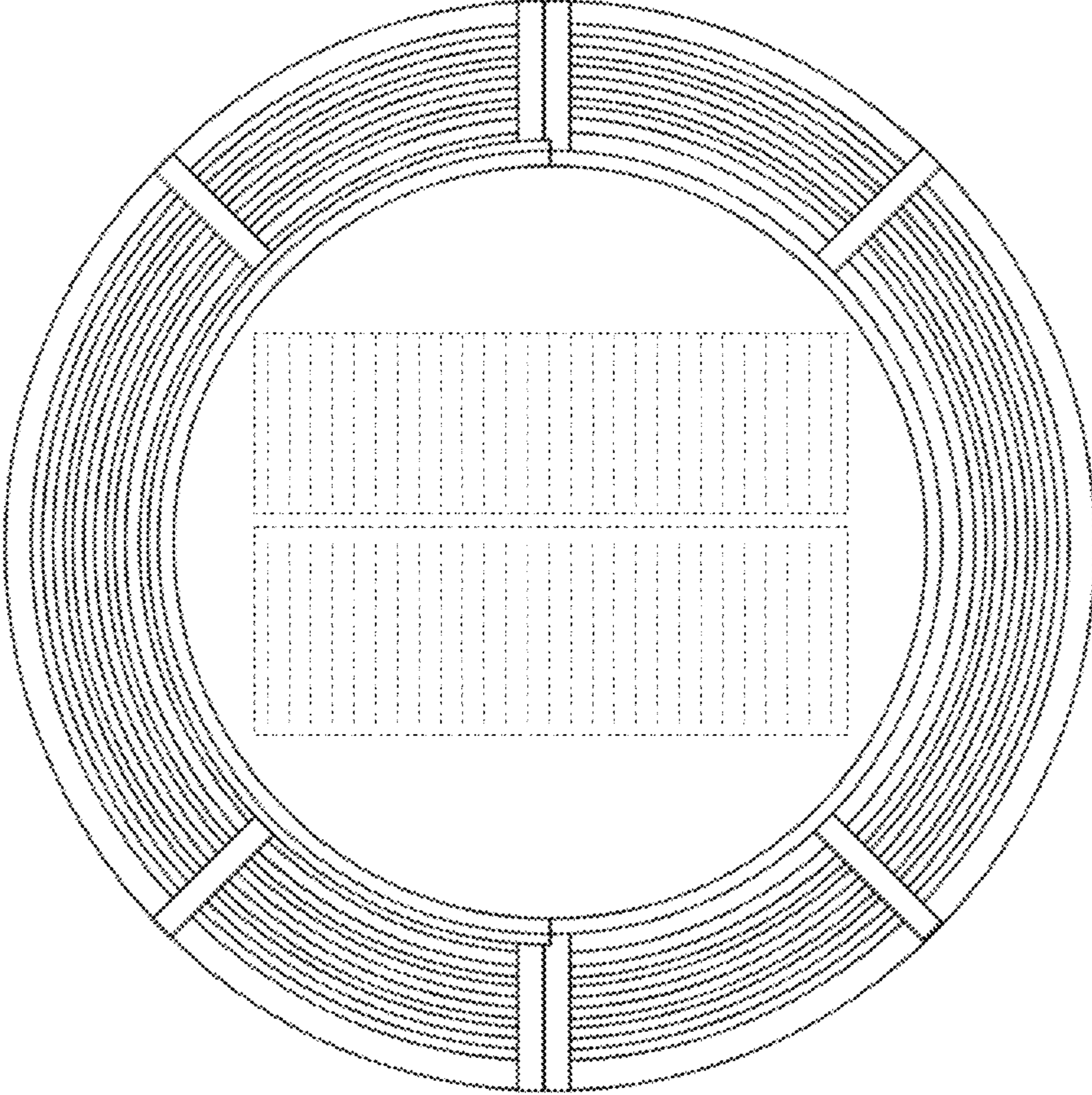


FIG. 6

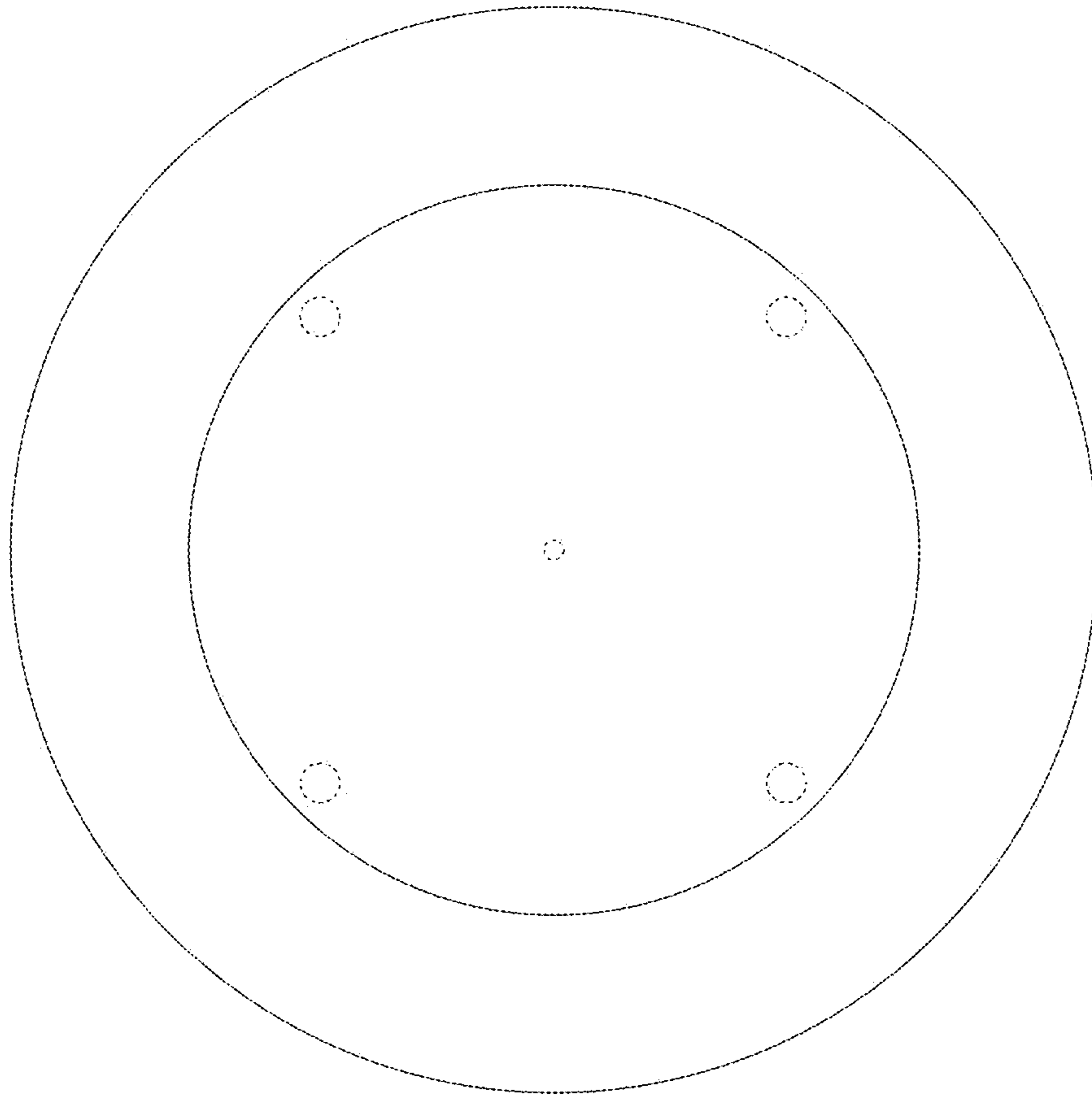


FIG. 7

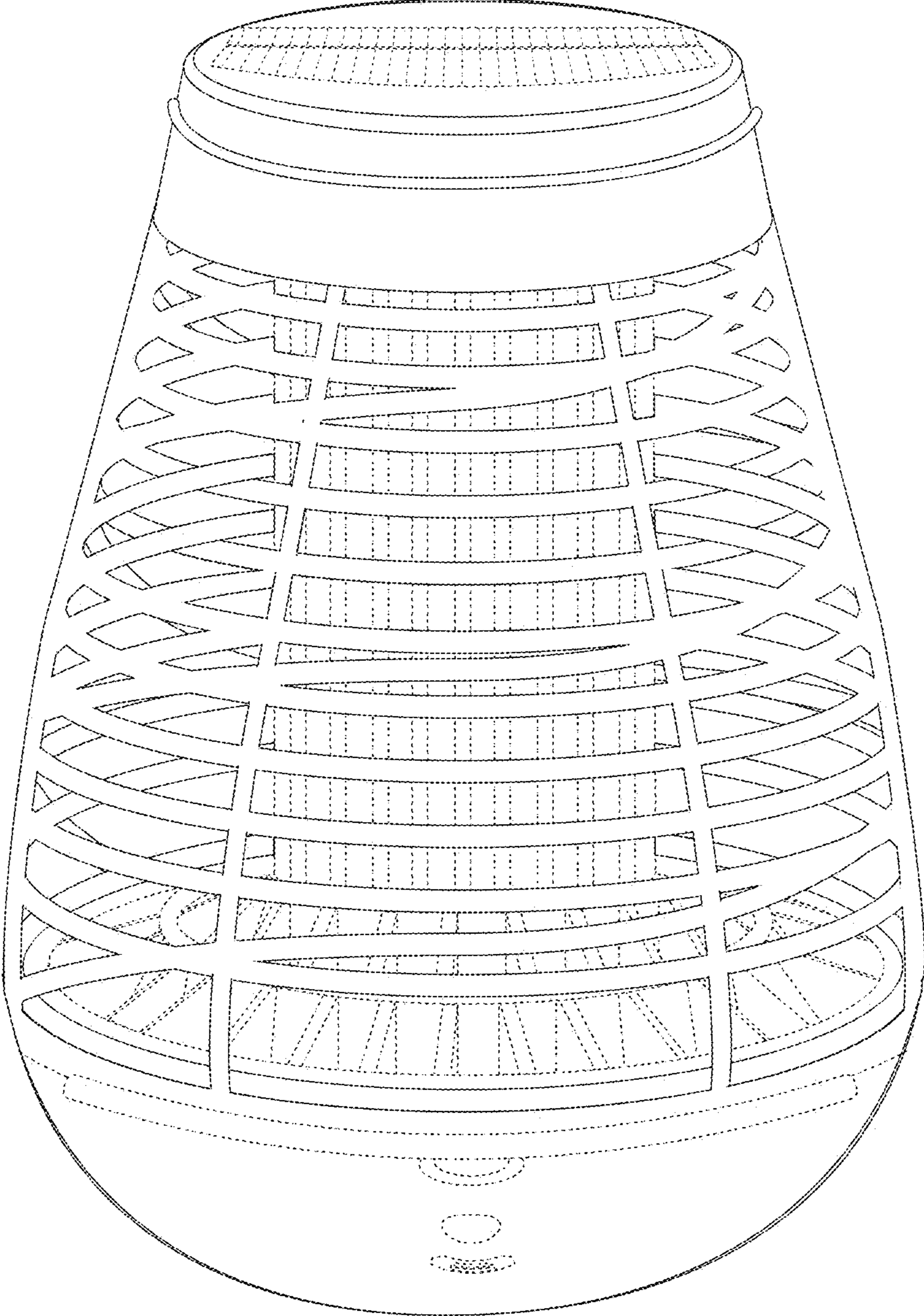


FIG. 8

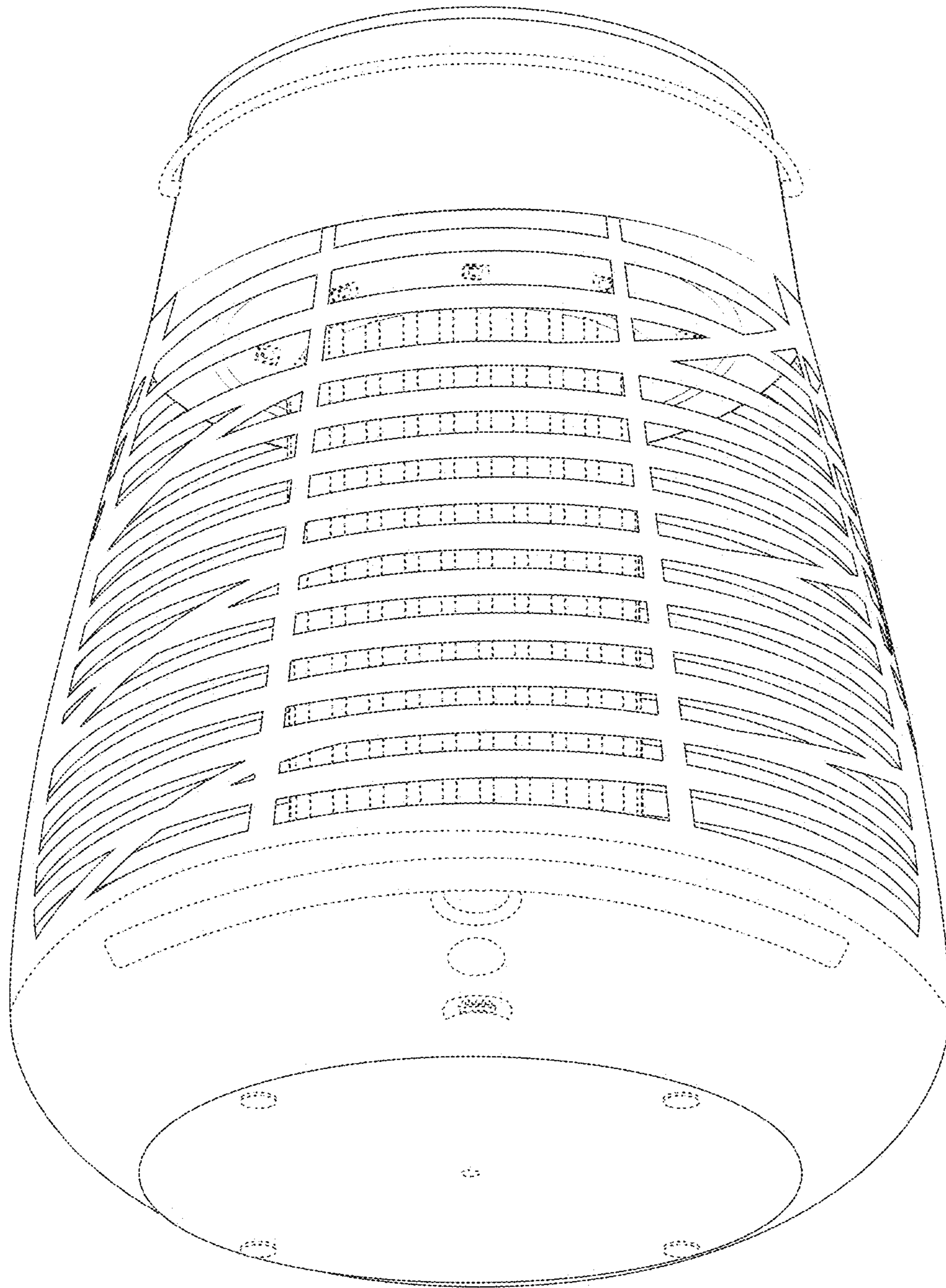


FIG. 9

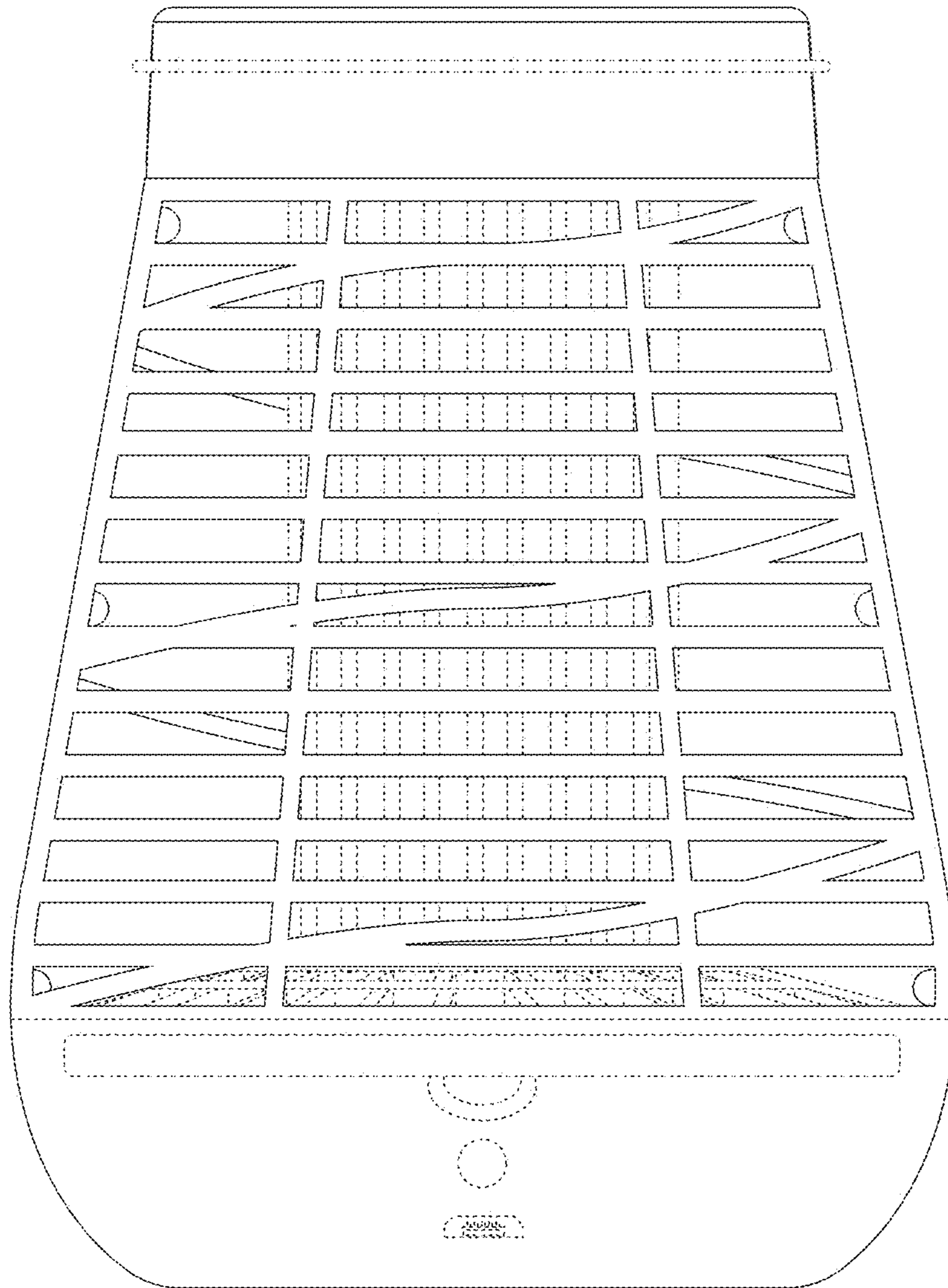


FIG. 10

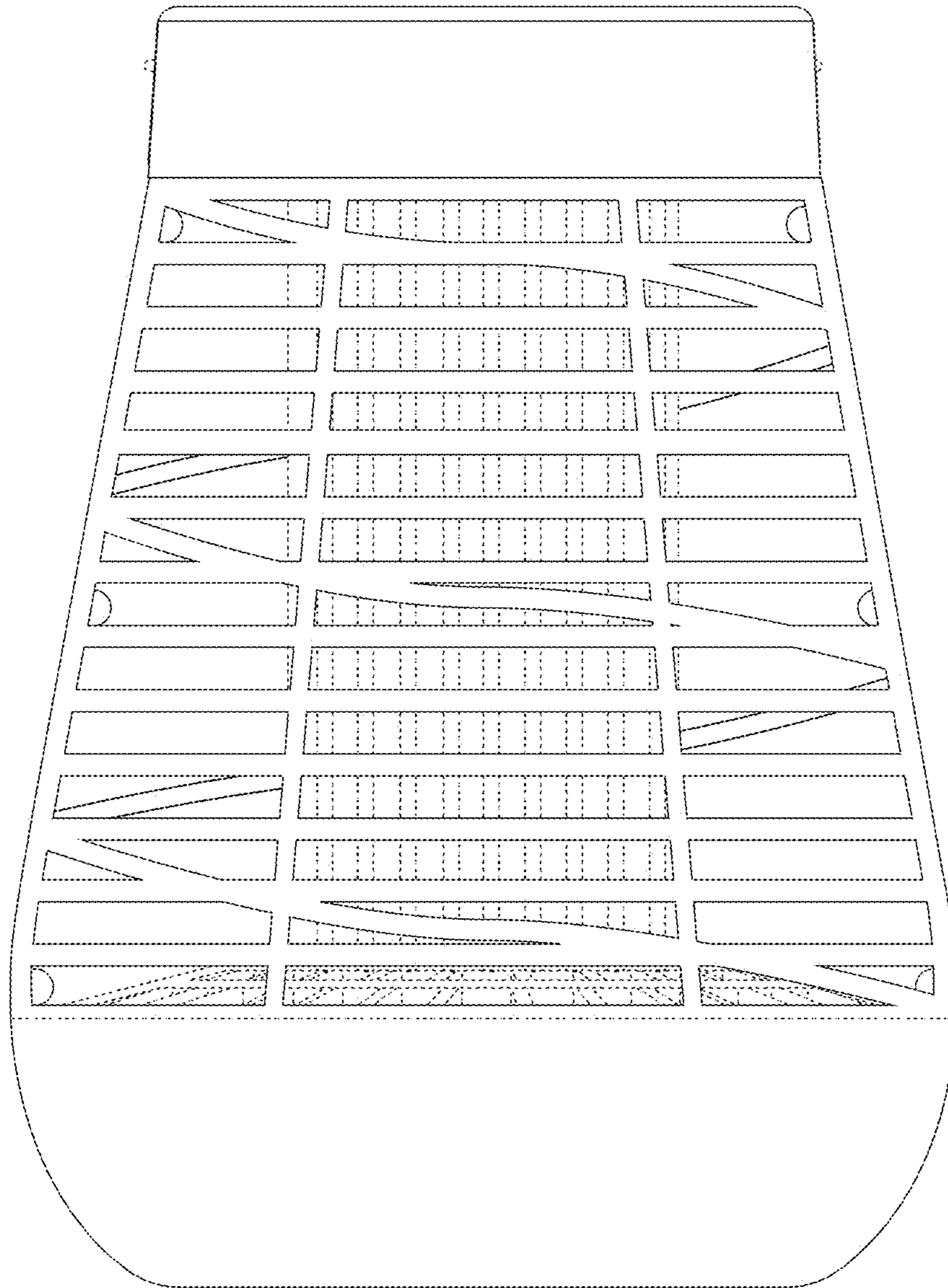


FIG. 11

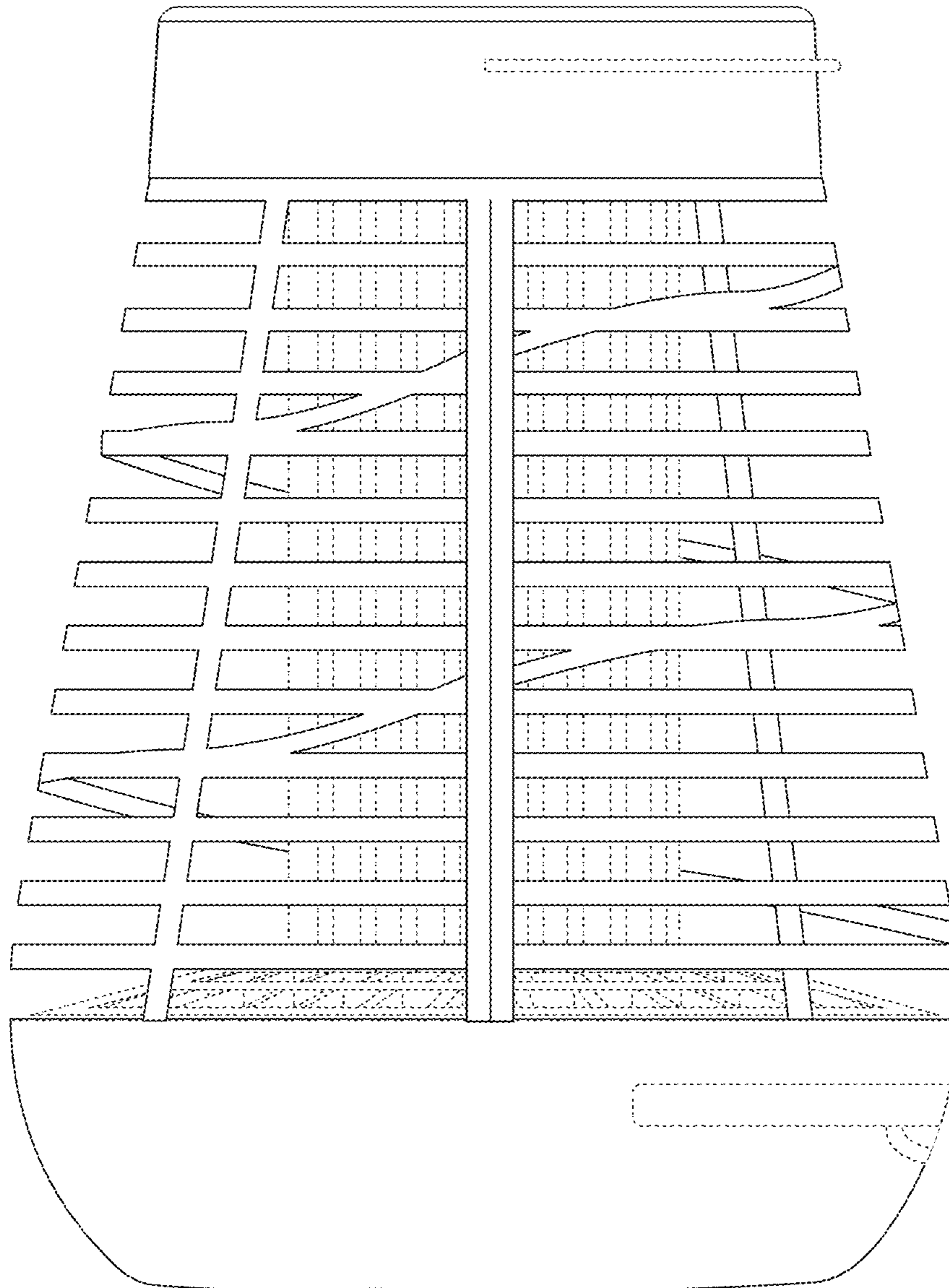


FIG. 12

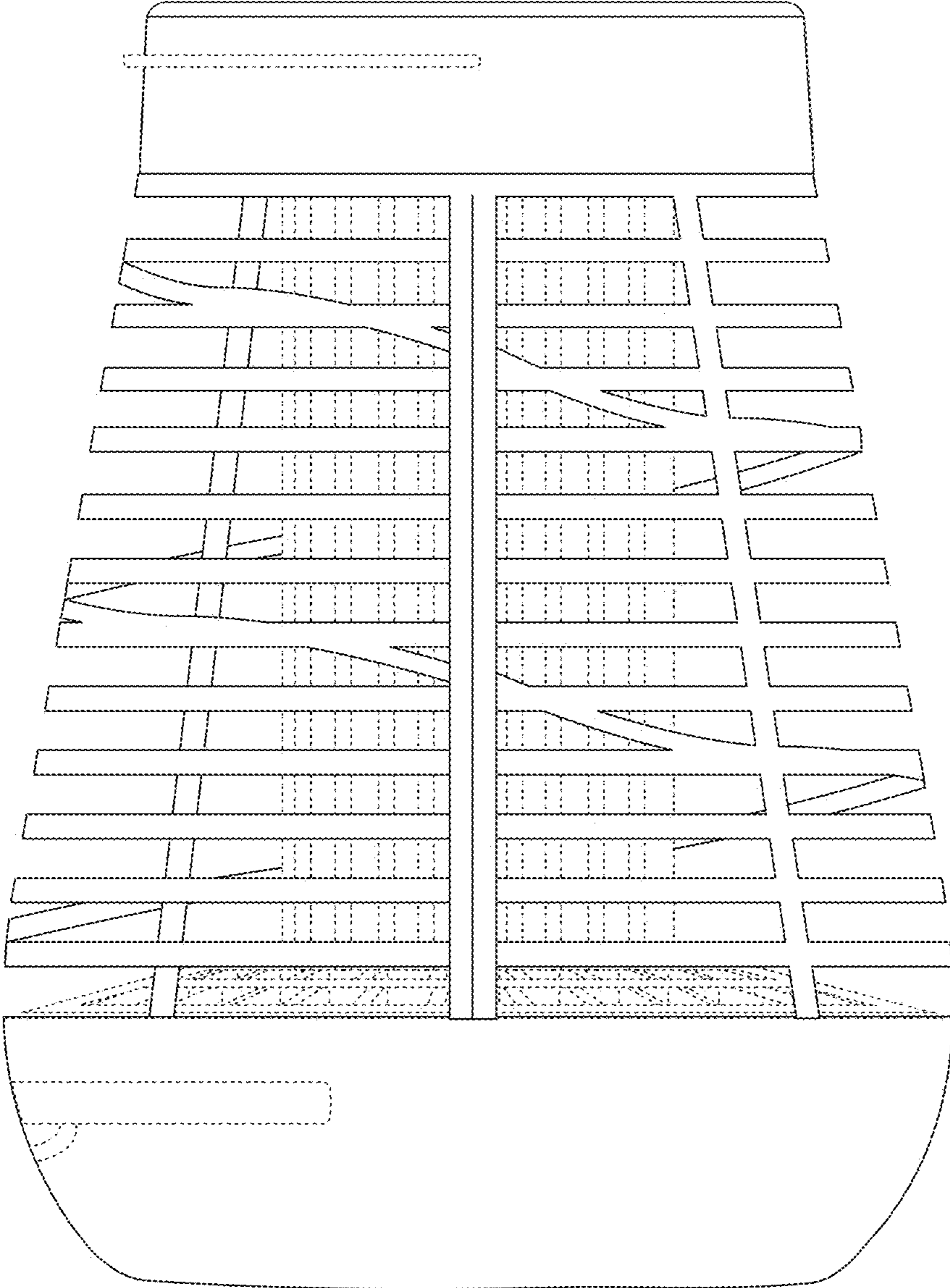


FIG. 13

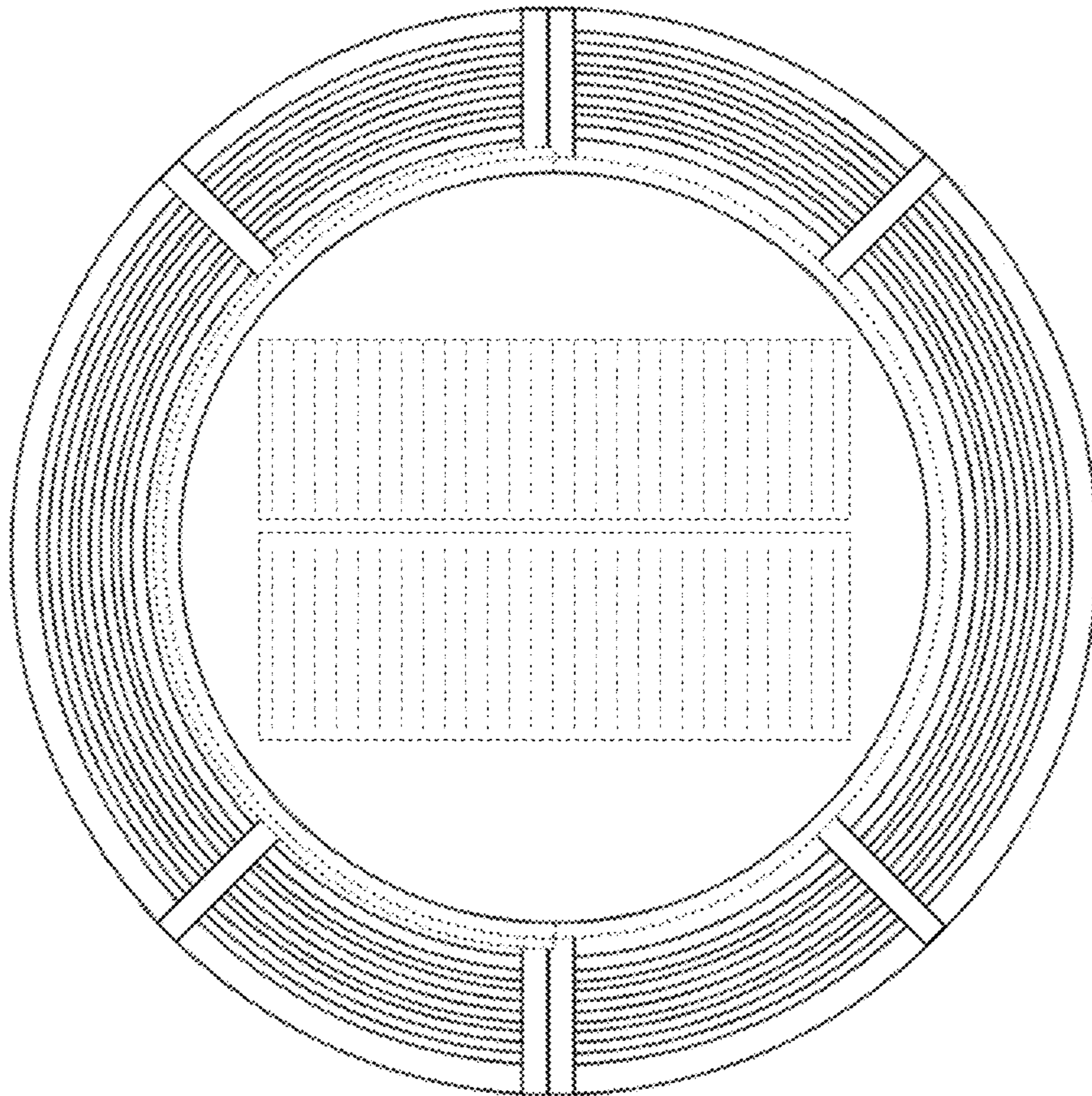


FIG. 14

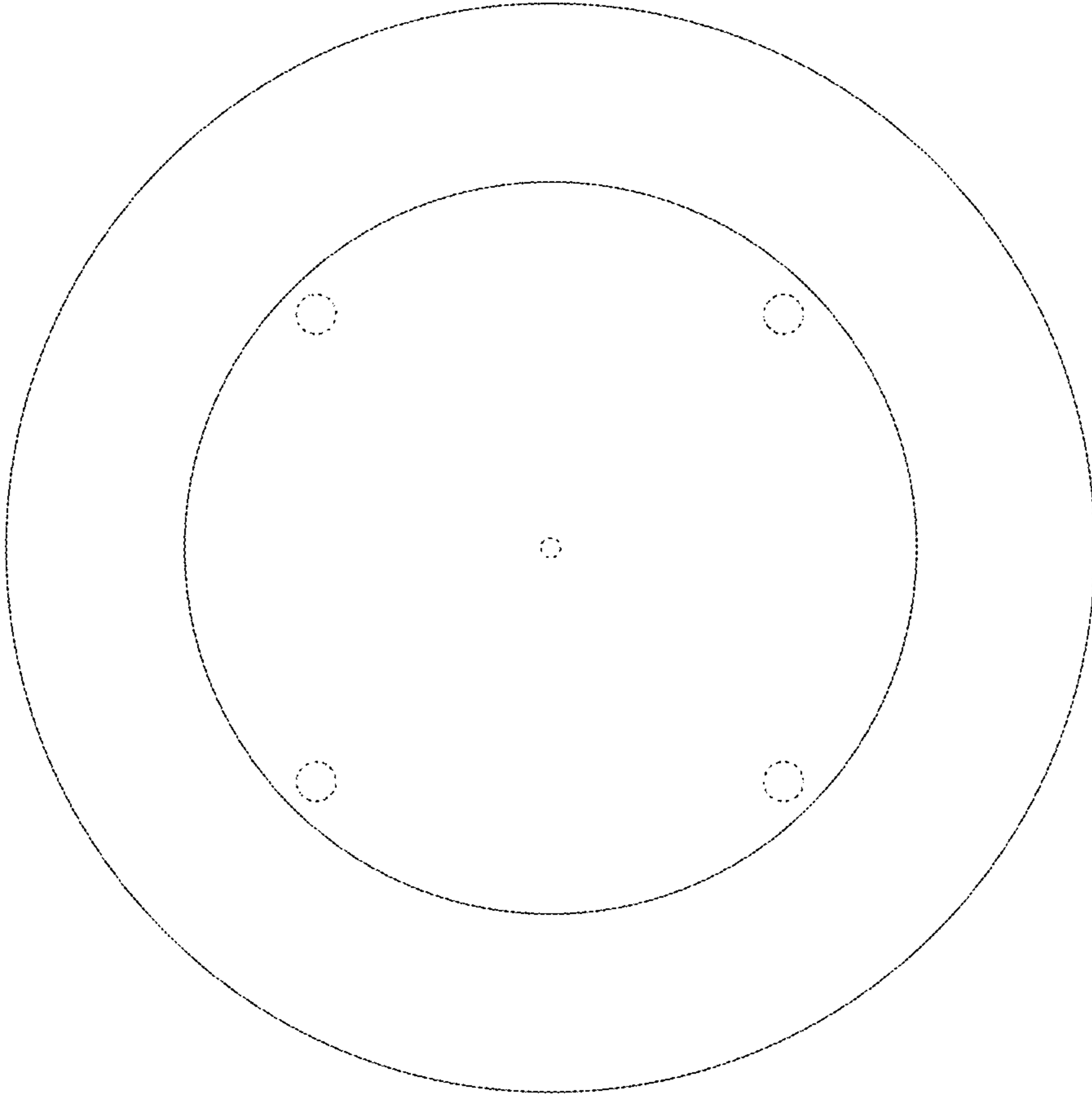


FIG. 15

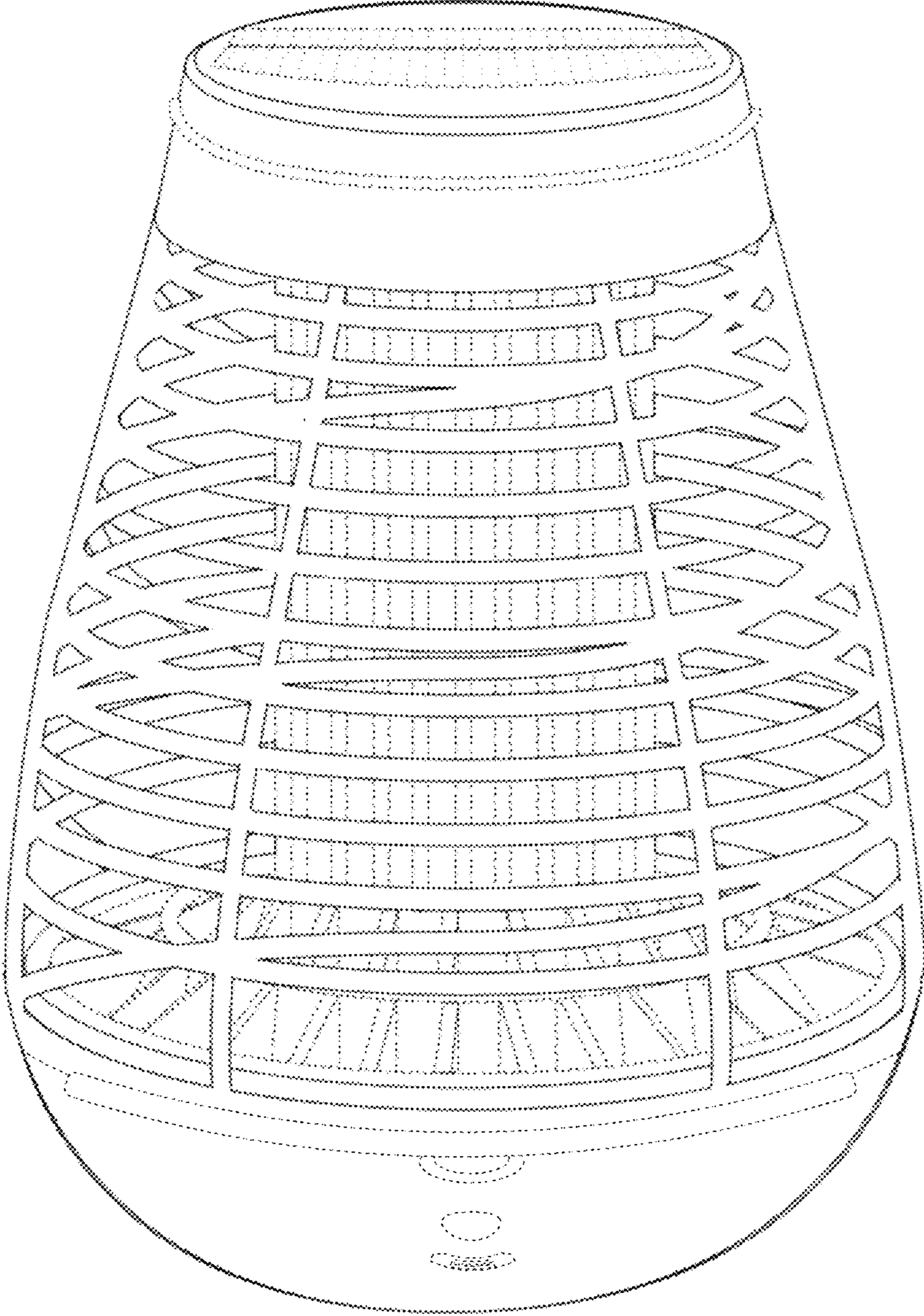


FIG. 16

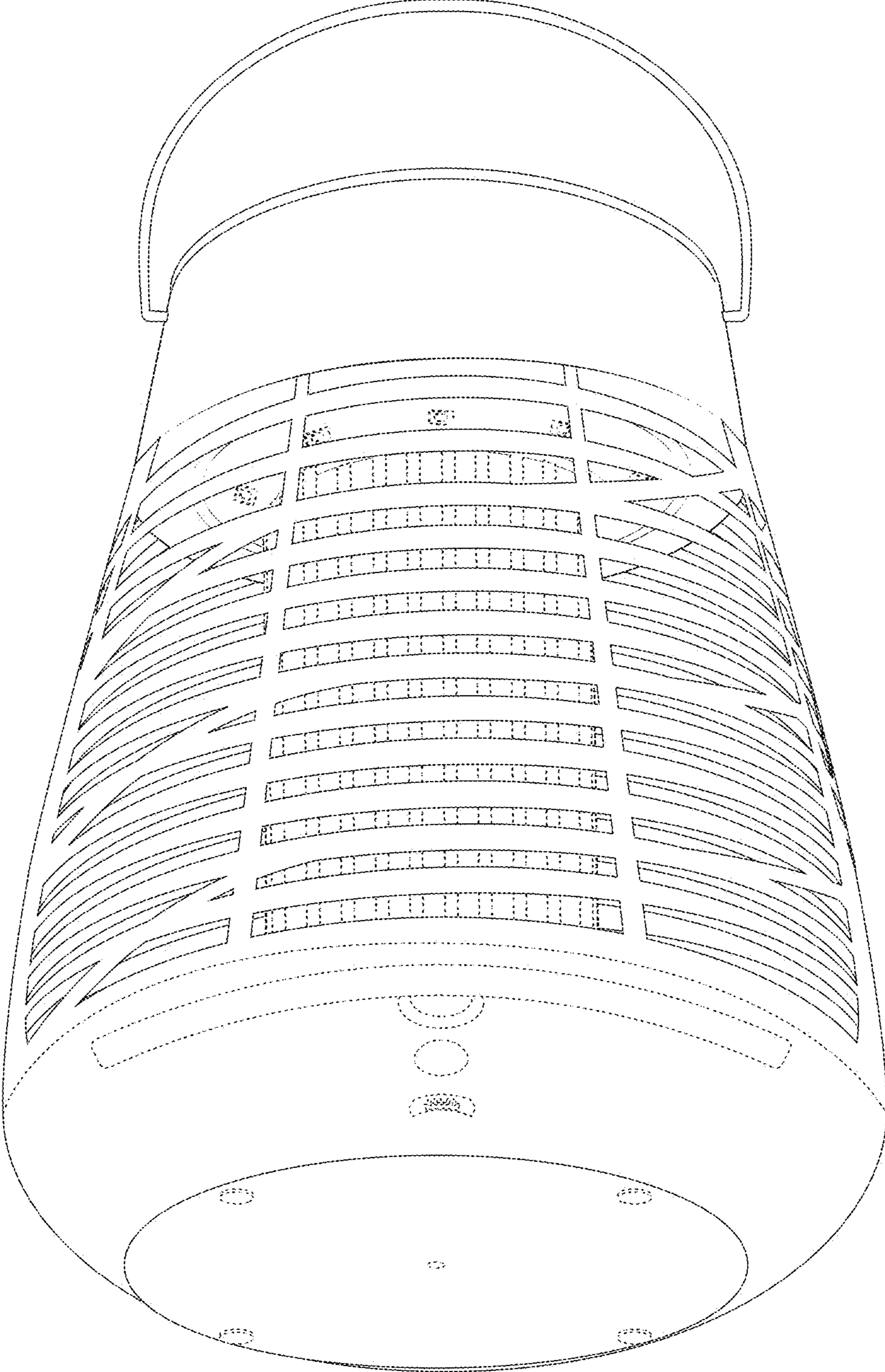


FIG. 17

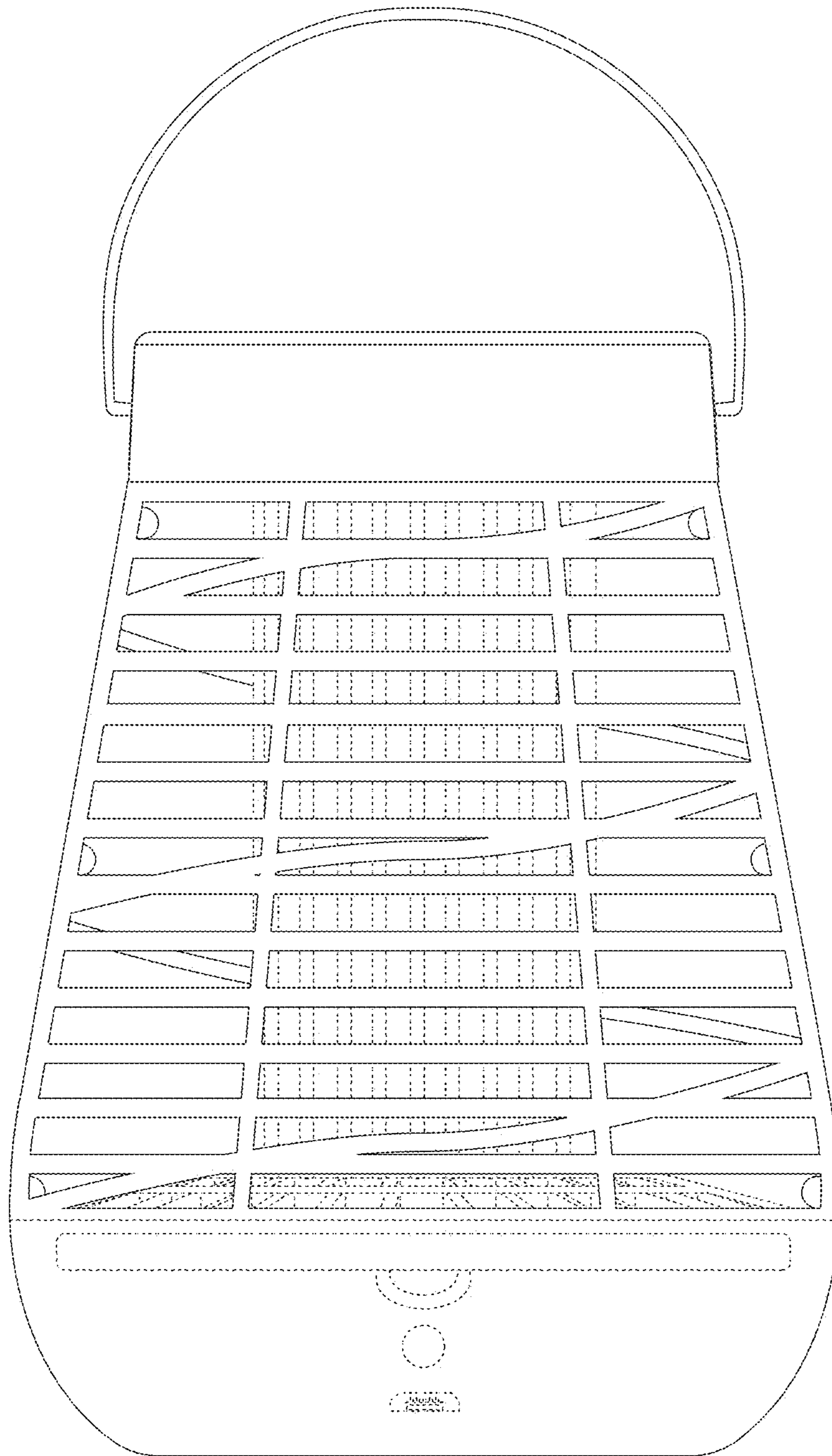


FIG. 18

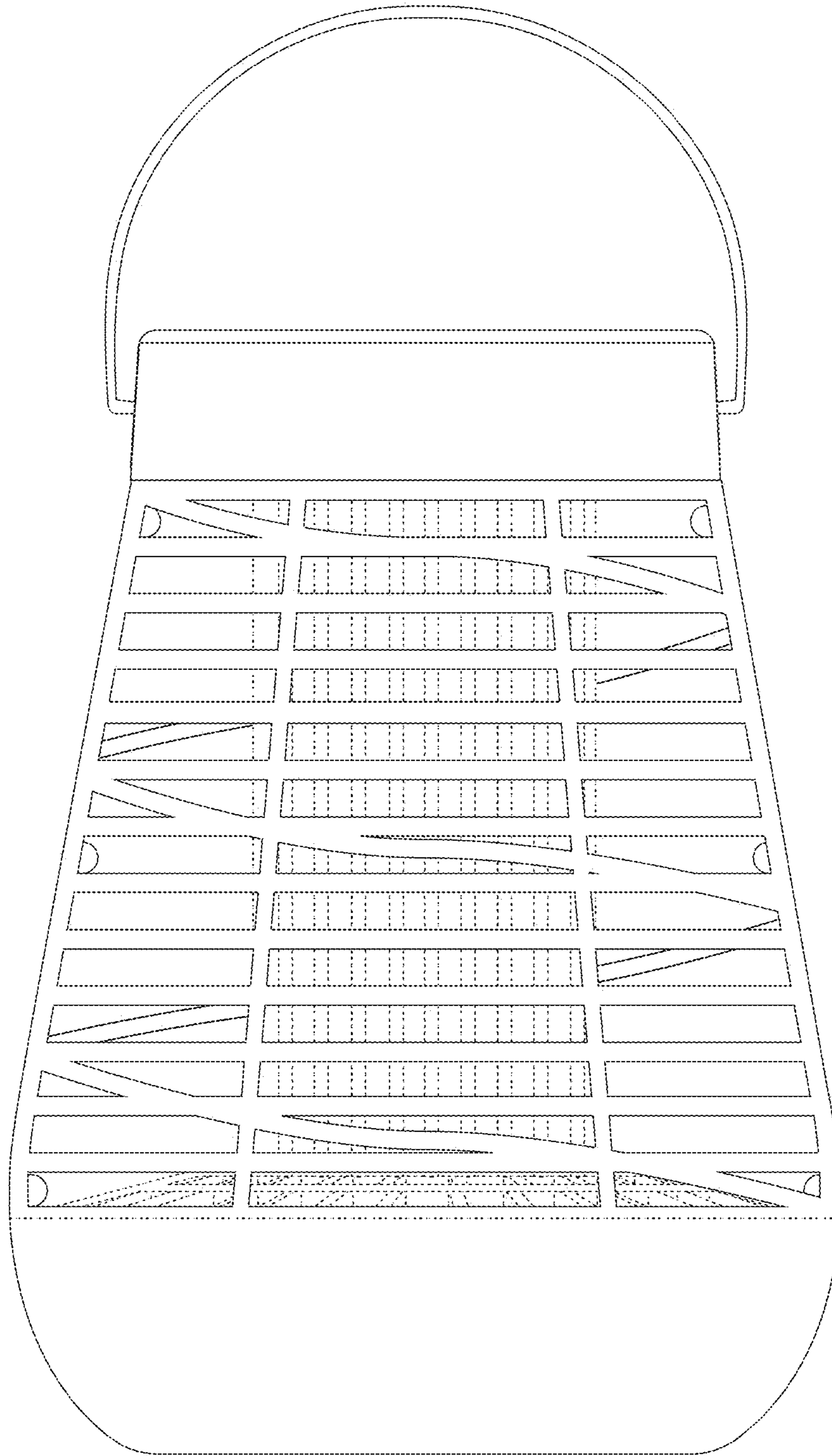


FIG. 19

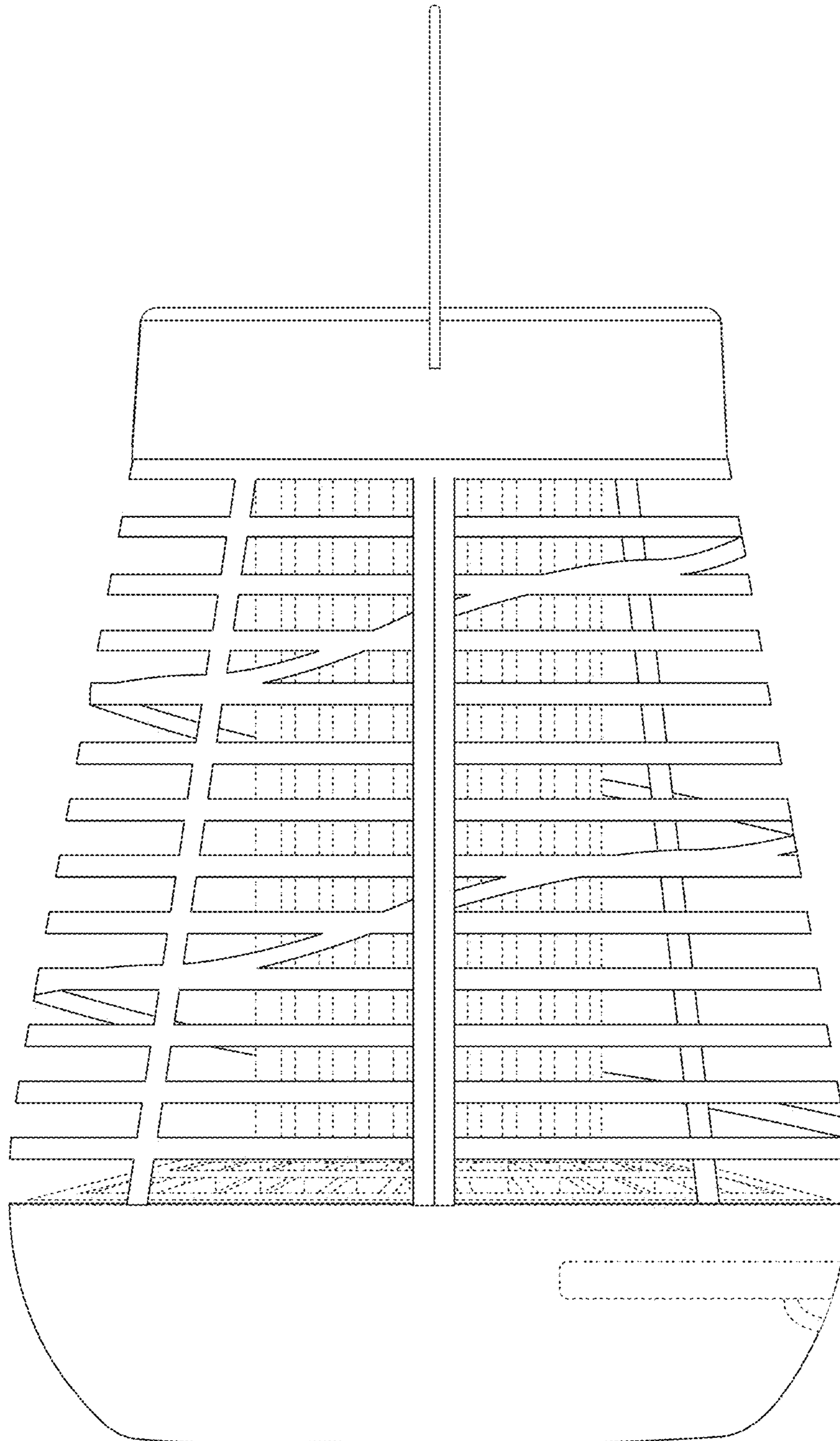


FIG. 20

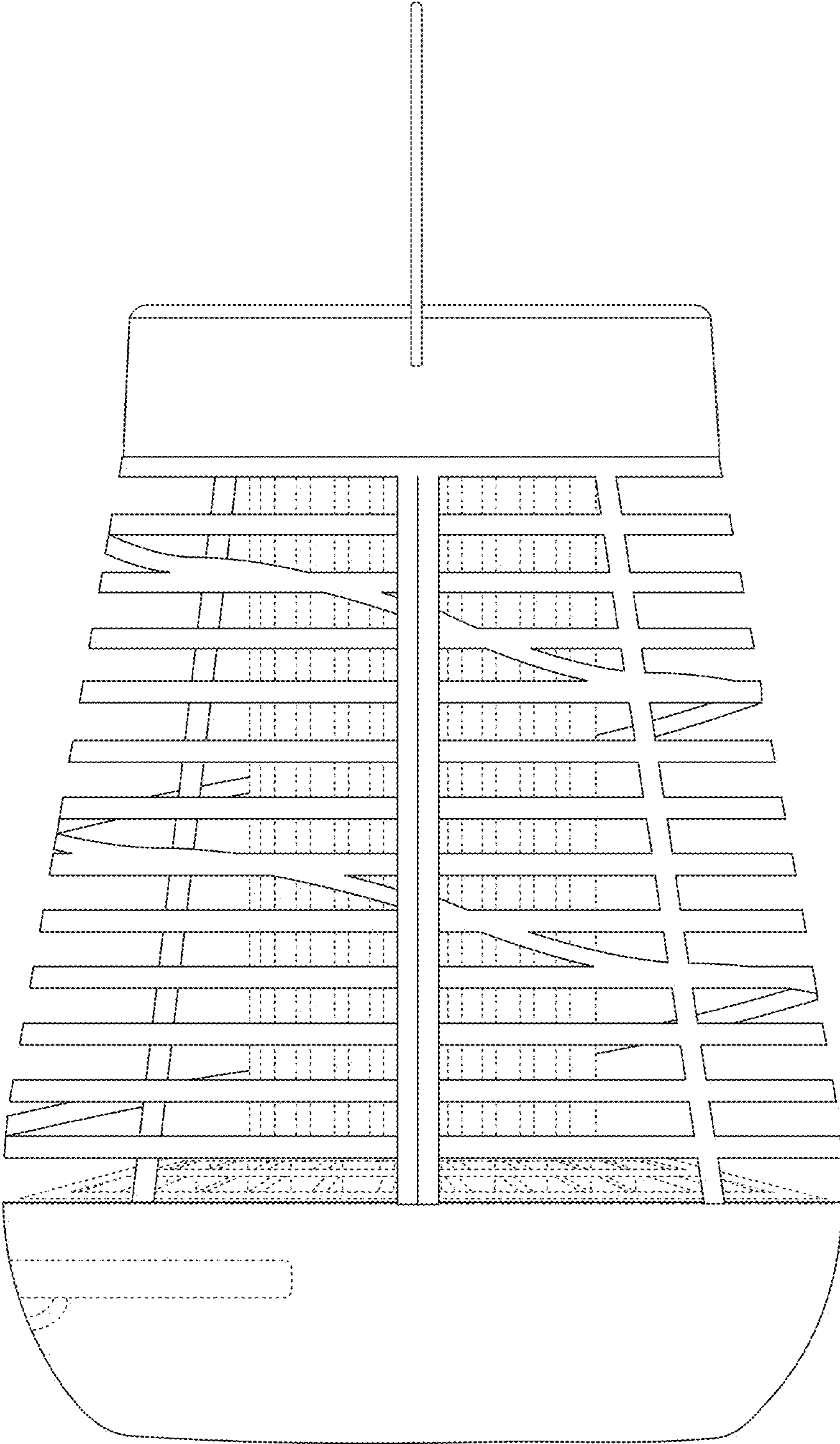


FIG. 21

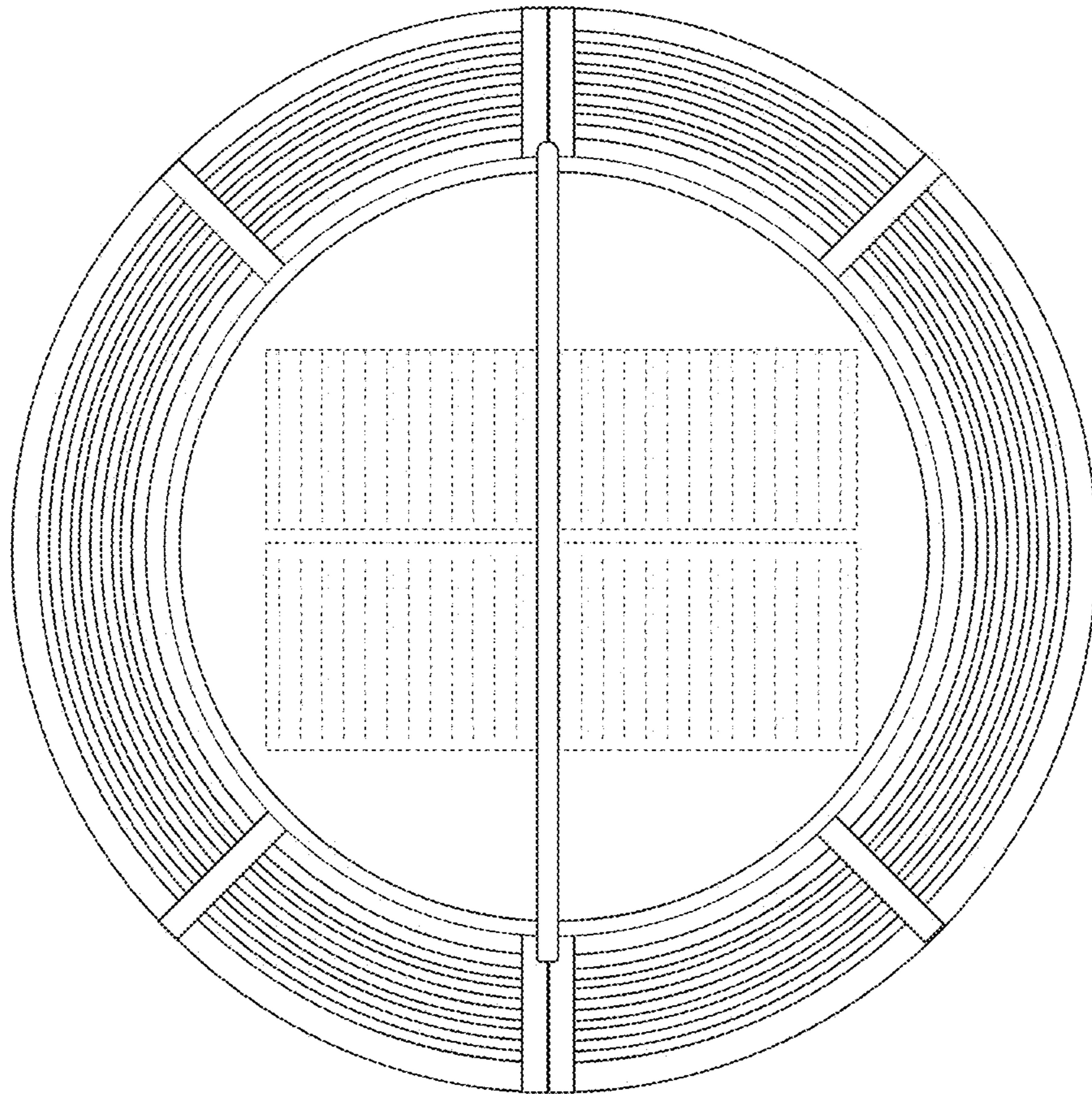


FIG. 22

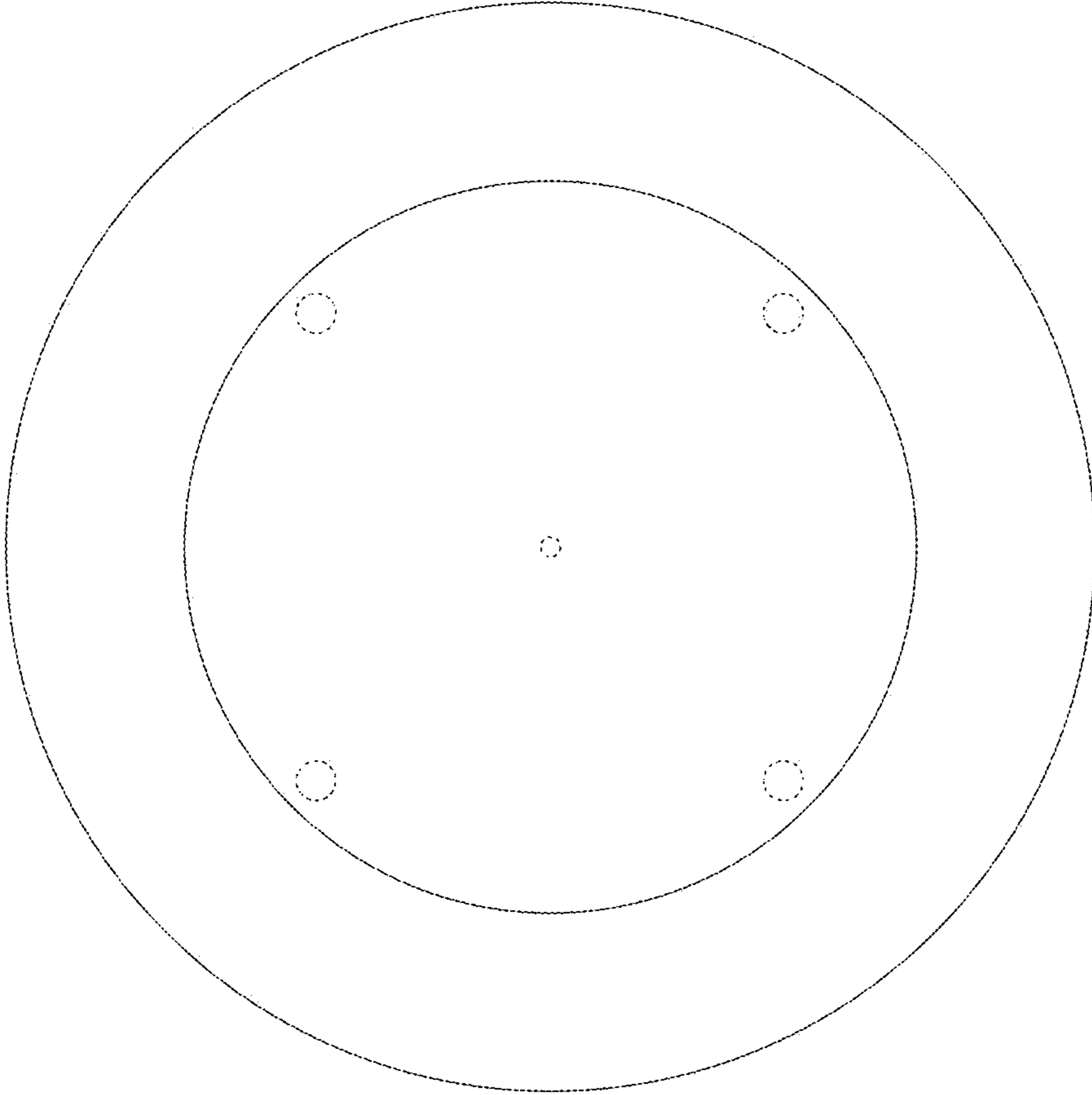


FIG. 23

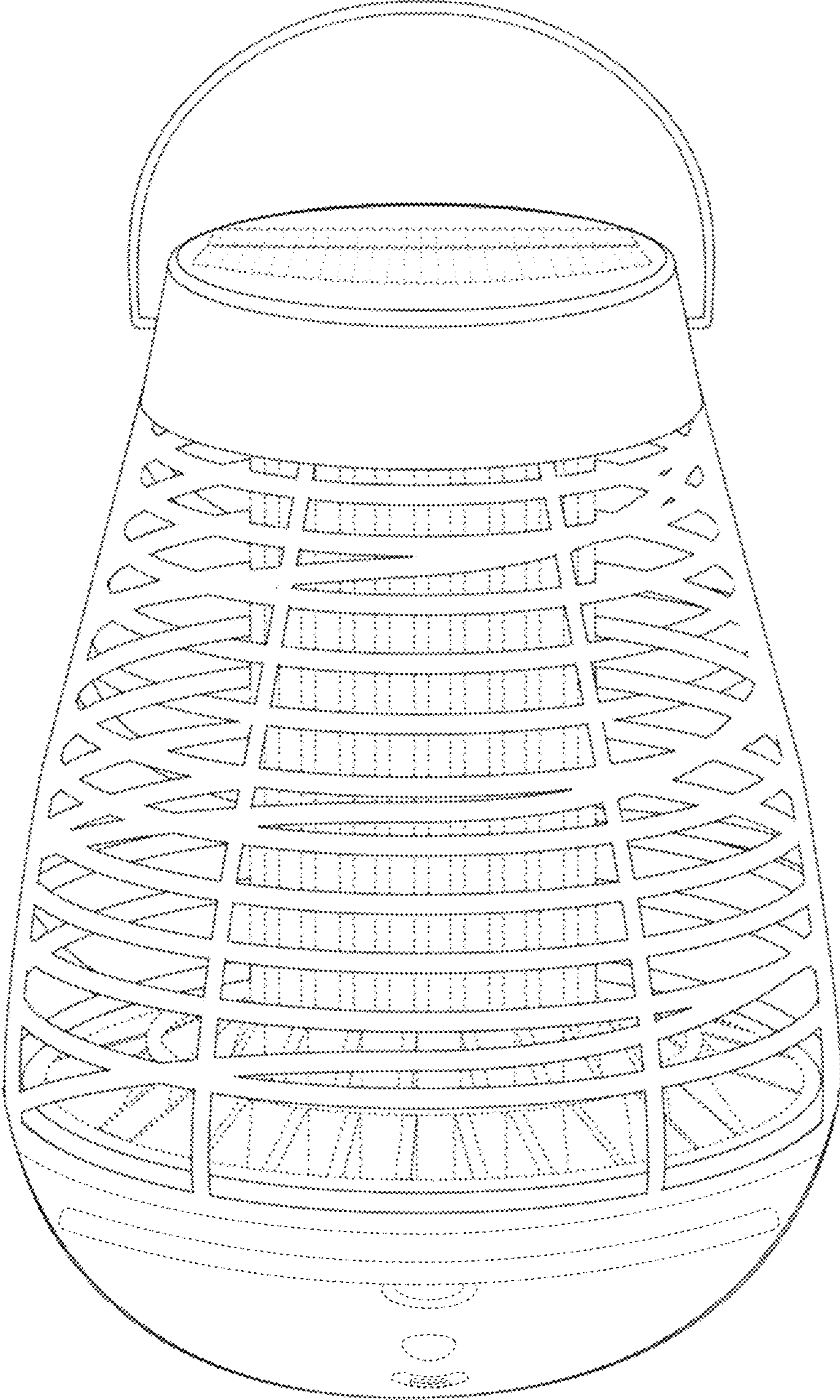


FIG. 24

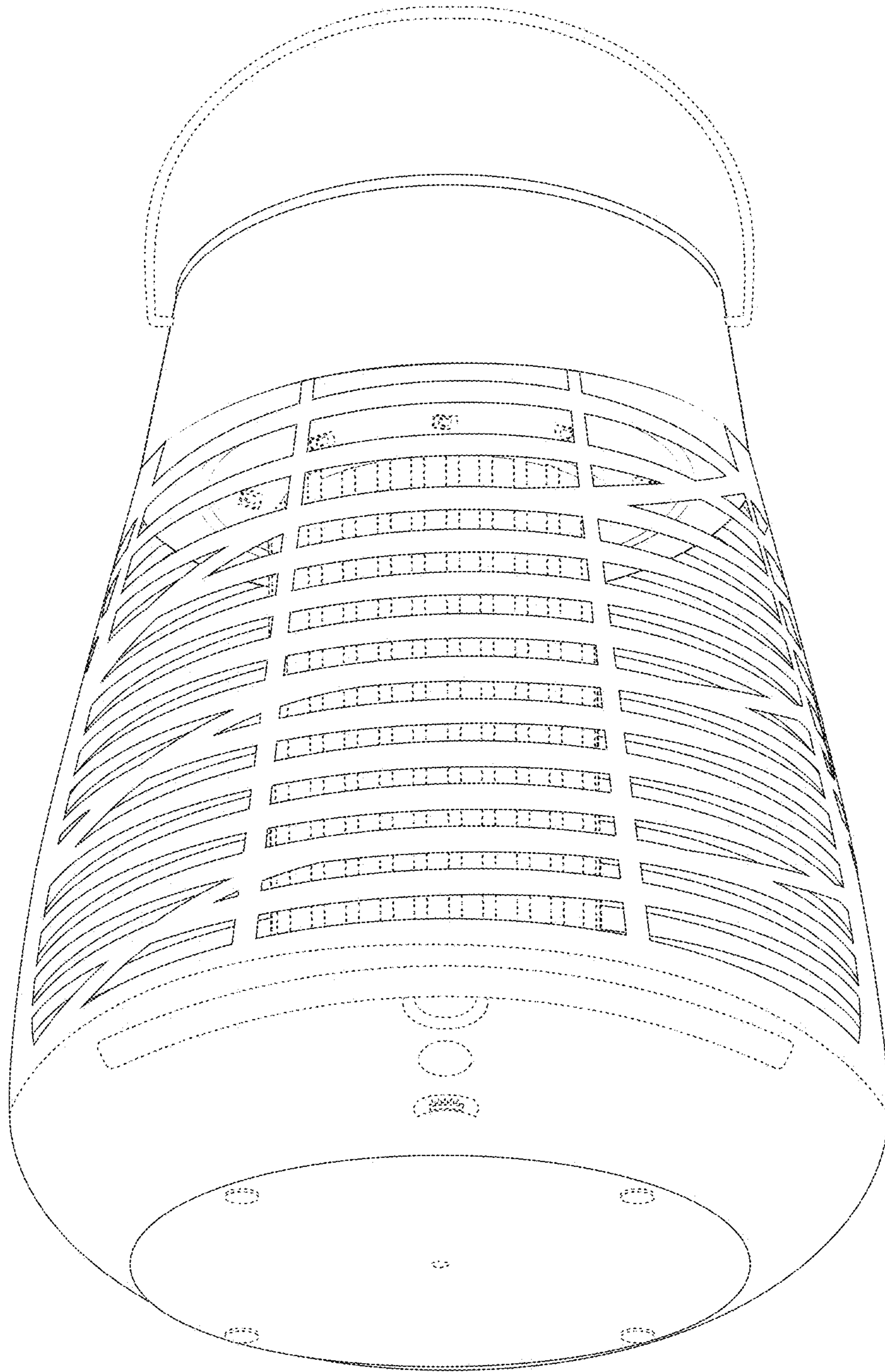


FIG. 25

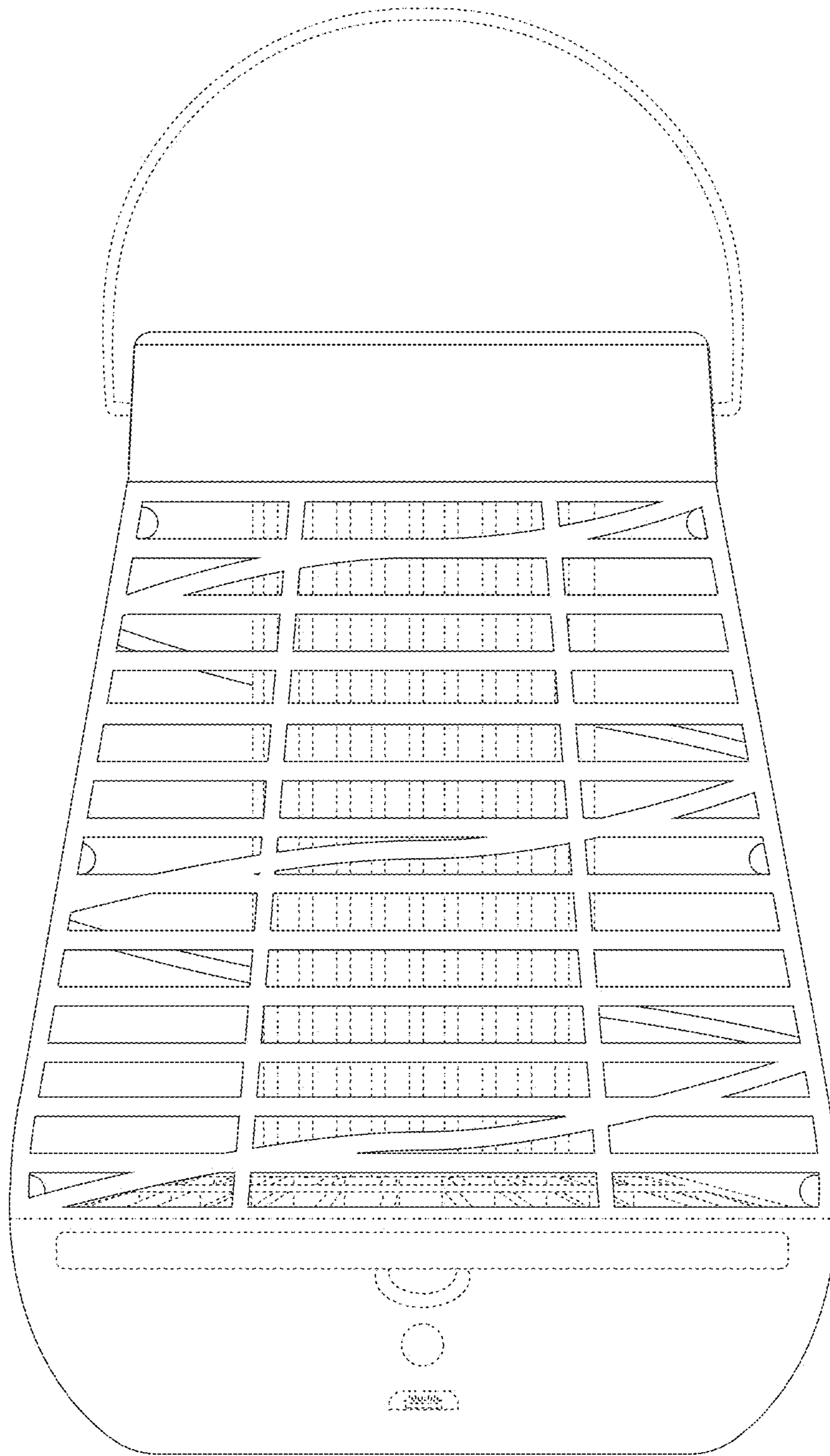


FIG. 26

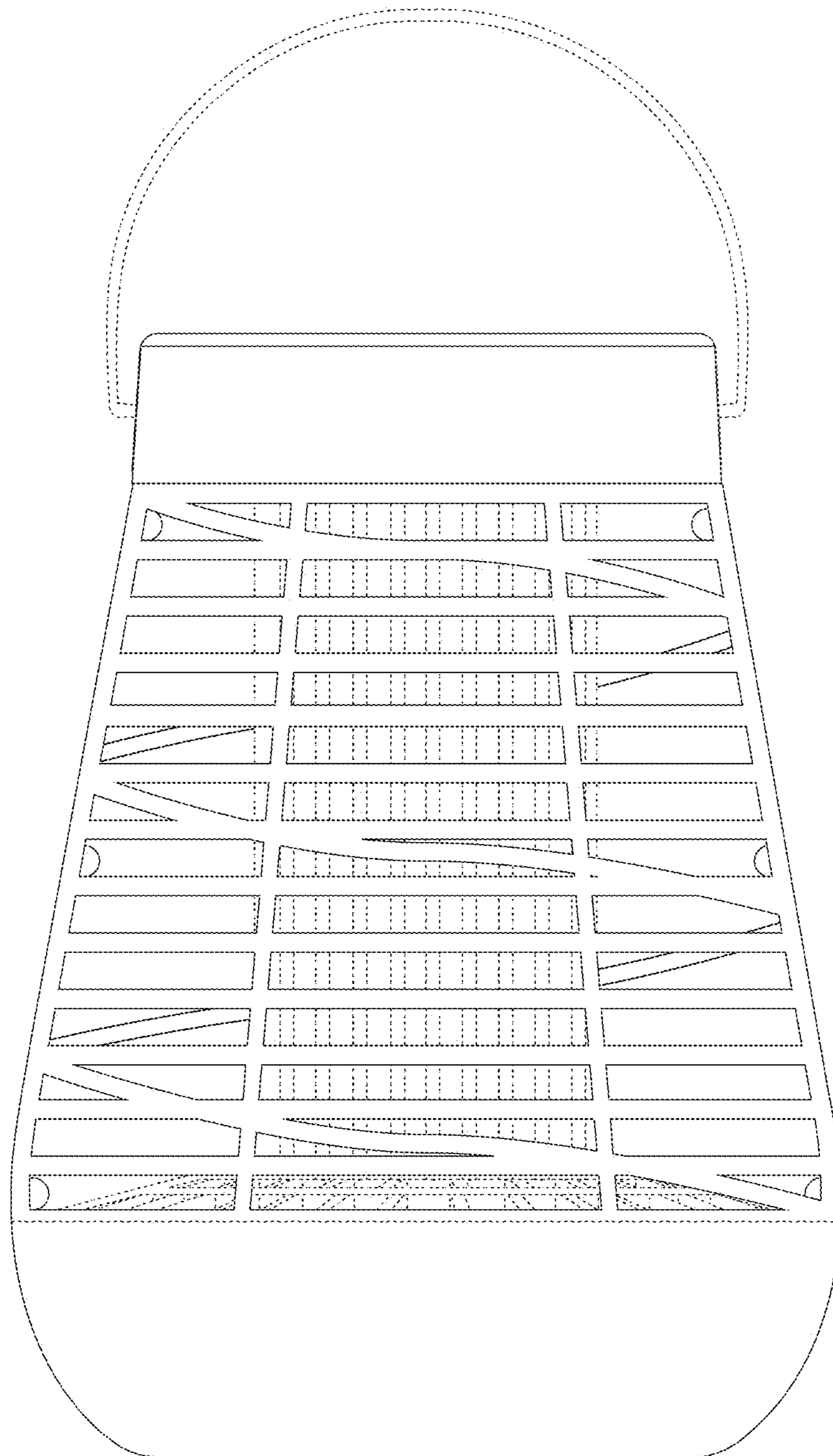


FIG. 27

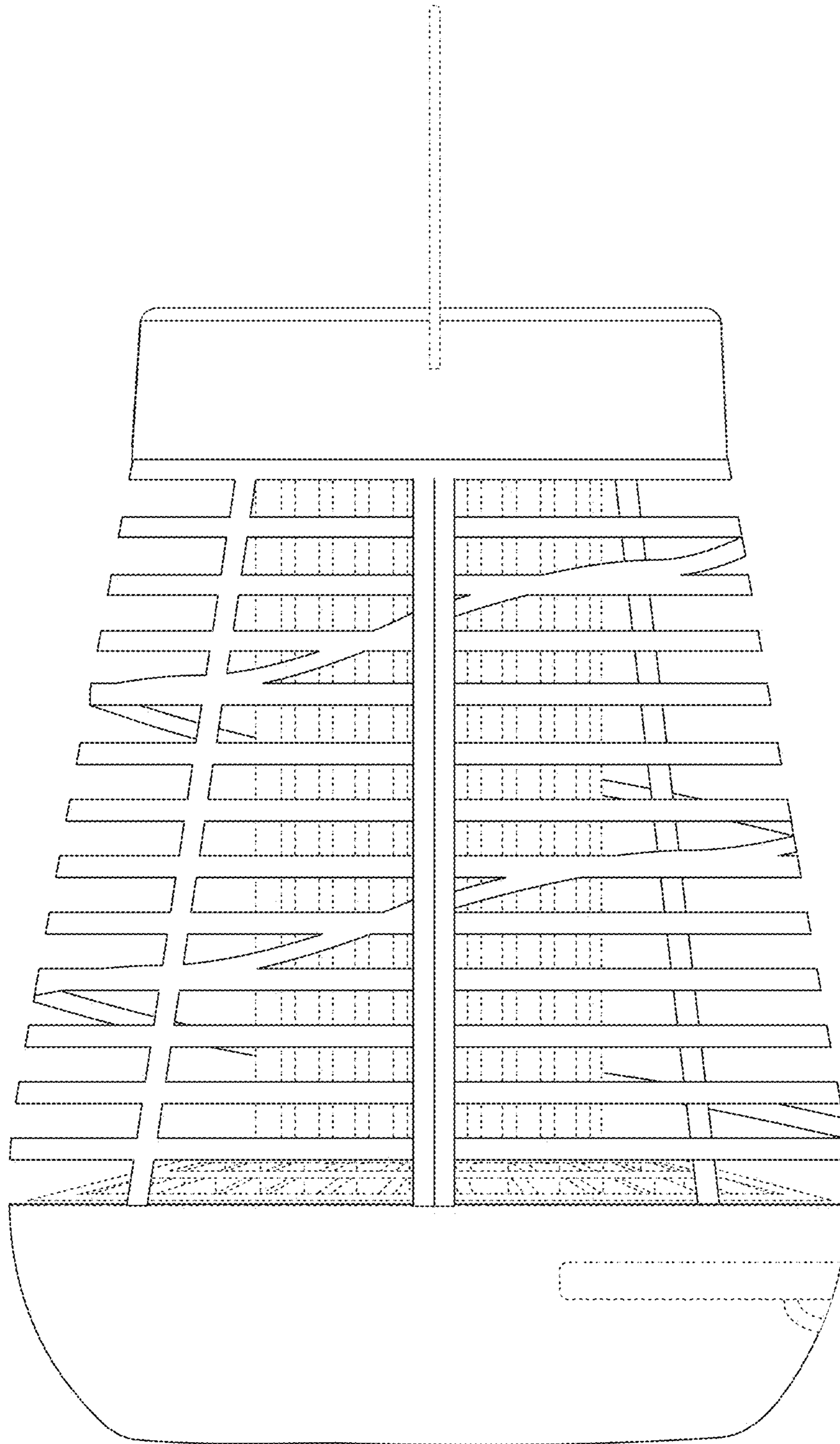


FIG. 28

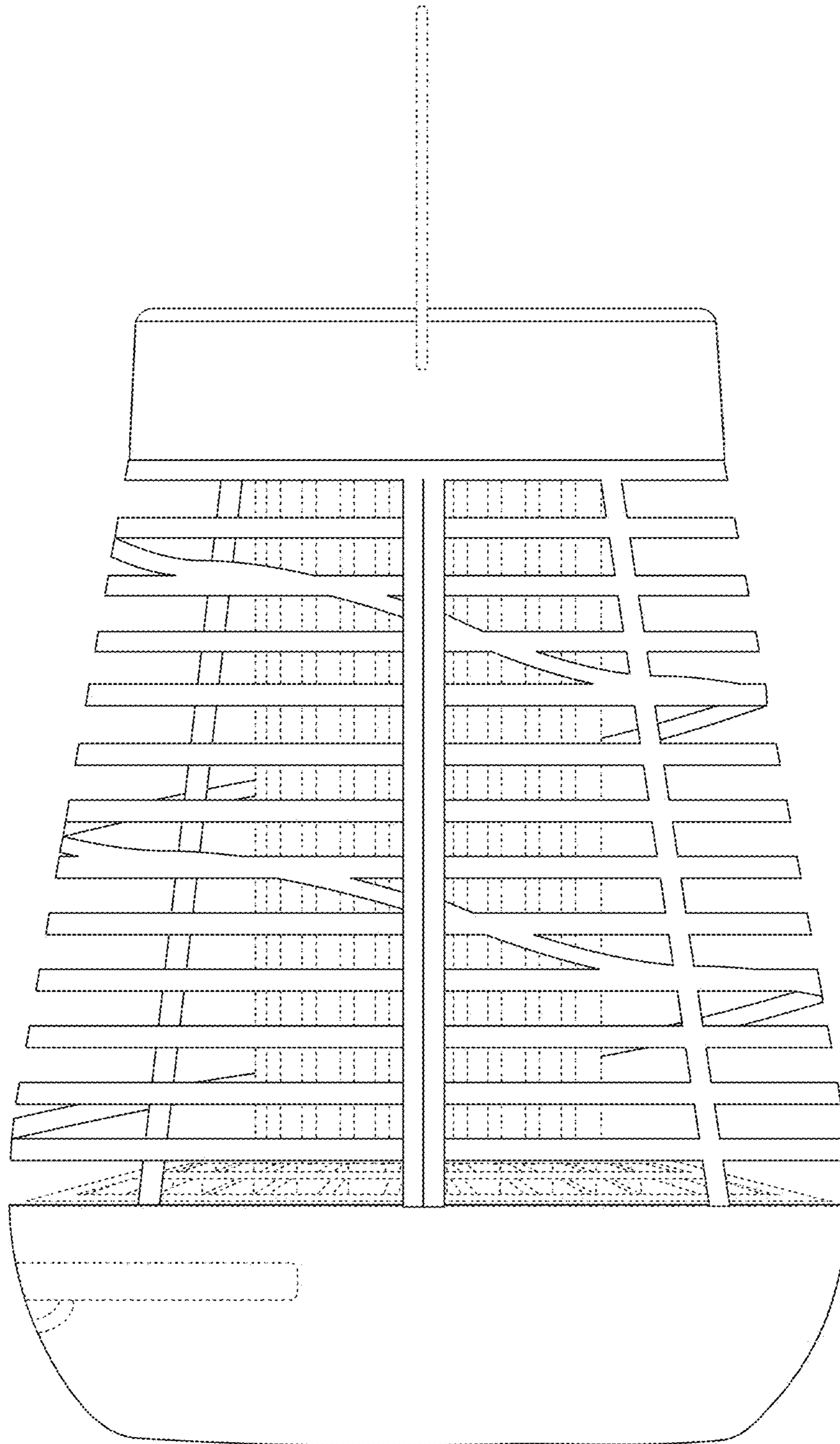


FIG. 29

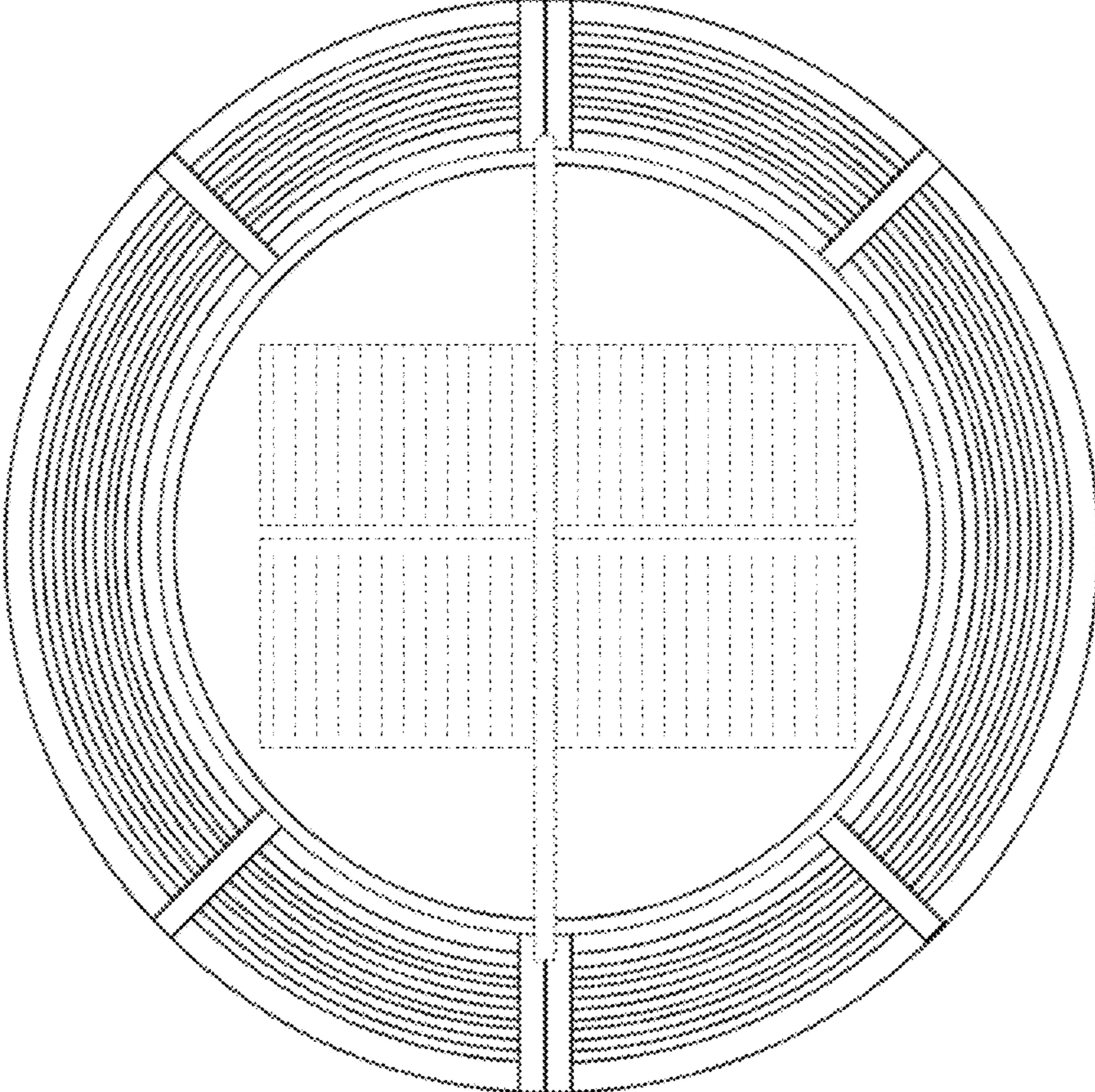


FIG. 30

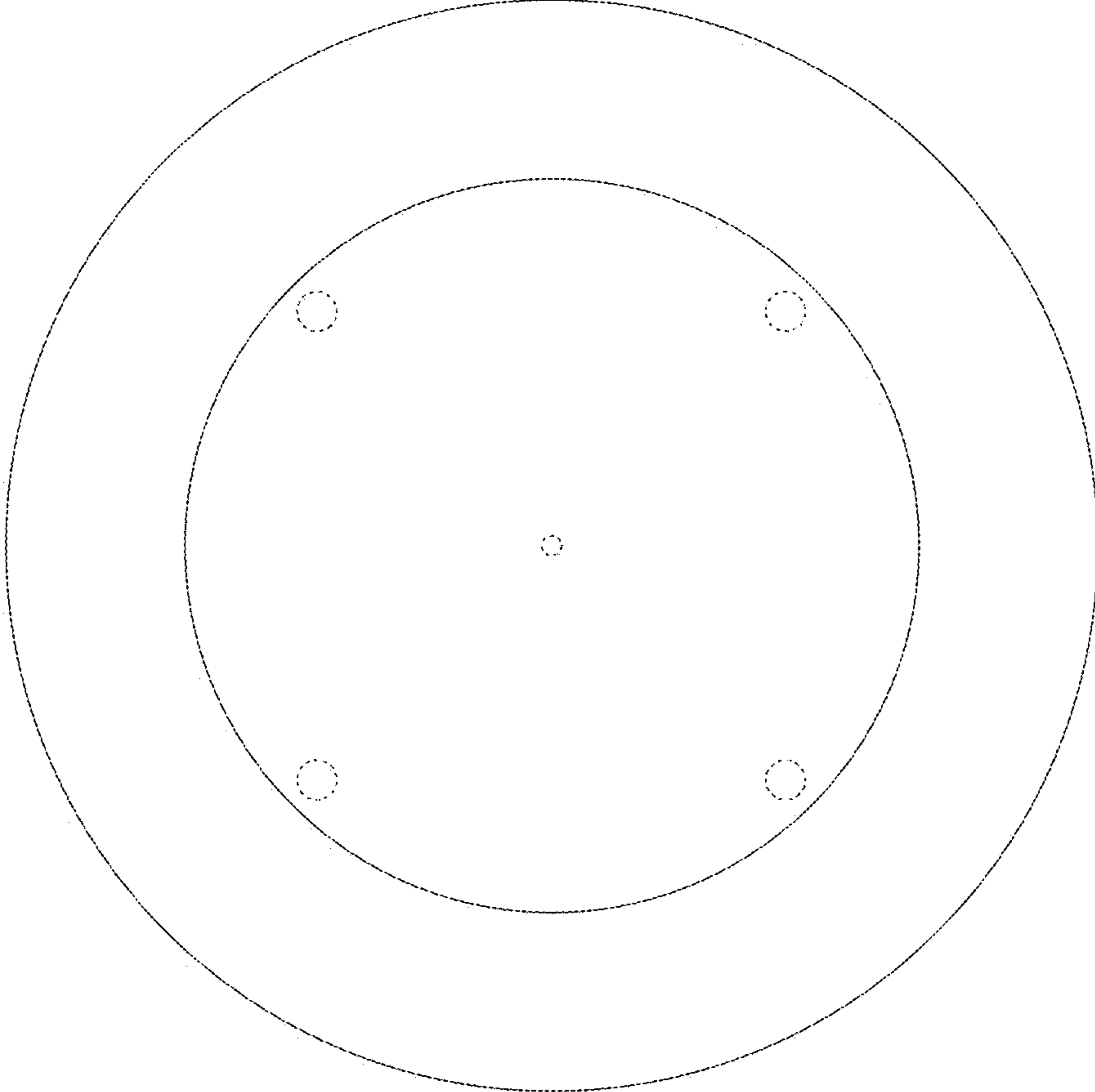


FIG. 31

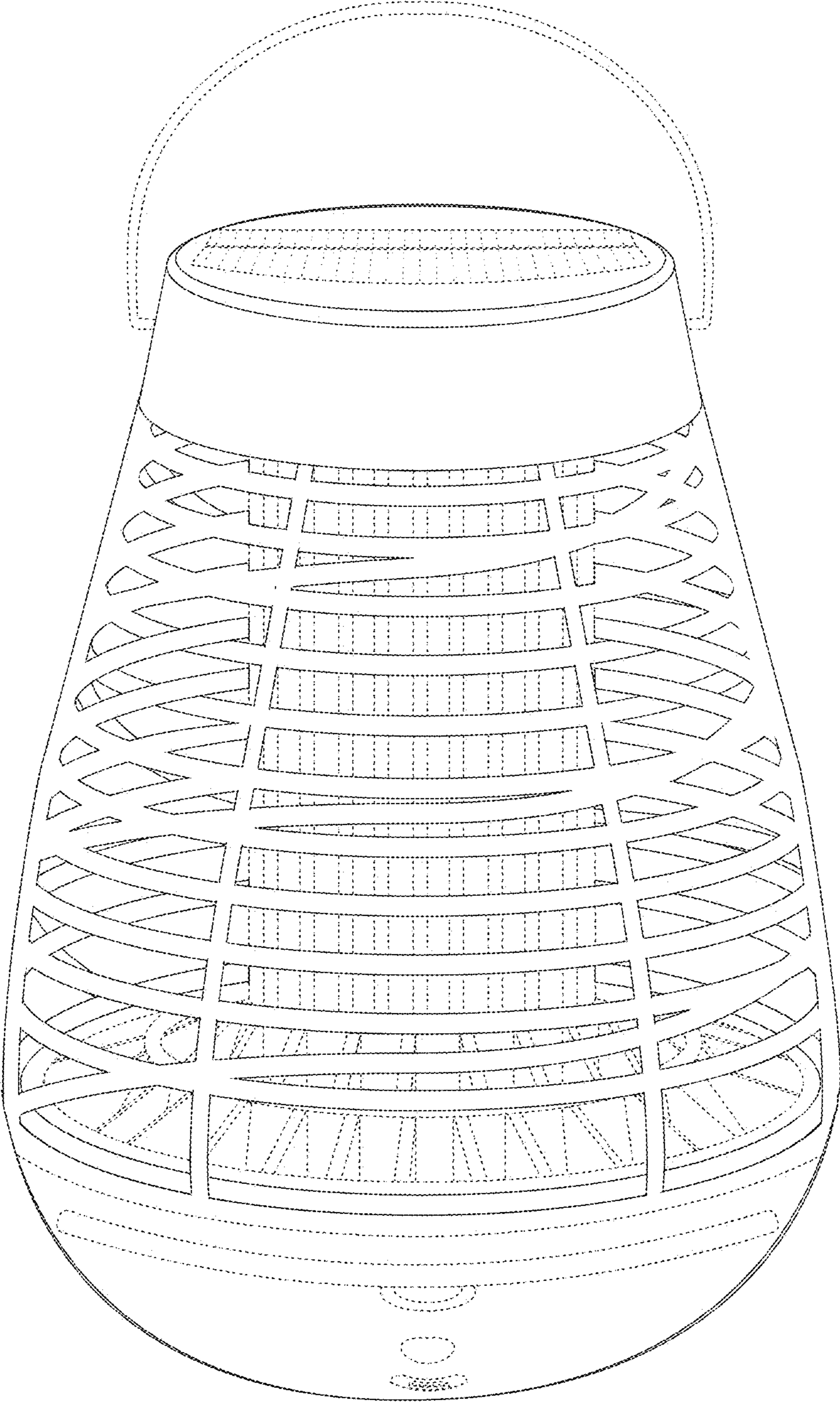


FIG. 32