



US00D981524S

(12) **United States Design Patent**  
**Sychev**

(10) **Patent No.:** **US D981,524 S**  
(45) **Date of Patent:** **\*\* Mar. 21, 2023**

(54) **SET OF SHOTGUN SIGHT MOUNTS**

(71) Applicant: **Alexey Alexandrovich Sychev**,  
Novosibirsk (RU)  
(72) Inventor: **Alexey Alexandrovich Sychev**,  
Novosibirsk (RU)

(\*\*) Term: **15 Years**

(21) Appl. No.: **35/513,953**

(22) Filed: **Aug. 16, 2021**

(80) **Hague Agreement Data**

Int. Filing Date: **Aug. 16, 2021**  
Int. Reg. No.: **DM/219731**  
Int. Reg. Date: **Aug. 16, 2021**  
Int. Reg. Pub. Date: **Apr. 1, 2022**

(51) **LOC (14) Cl.** ..... **22-01**

(52) **U.S. Cl.**  
USPC ..... **D22/109**

(58) **Field of Classification Search**  
USPC ..... D22/100, 101, 103, 104, 108, 109;  
D21/567, 570, 573, 574, 575  
CPC ..... F41G 1/345; F41G 1/10  
See application file for complete search history.

(56) **References Cited**

**U.S. PATENT DOCUMENTS**

D382,038 S *	8/1997	Nigh	.....	D22/108
D397,403 S *	8/1998	Zebbedies	.....	D22/100
D413,645 S *	9/1999	Sheehan	.....	D16/132
D420,088 S *	2/2000	Sheehan	.....	D22/109
D428,103 S *	7/2000	Kiesler	.....	D22/100
D429,789 S *	8/2000	Sheehan	.....	D22/100
D435,625 S *	12/2000	Ling, Jr.	.....	D22/100
D436,393 S *	1/2001	Ling, Jr.	.....	D22/100
D443,016 S *	5/2001	Nigh	.....	D22/108
D450,800 S *	11/2001	Sheehan	.....	D22/109
D460,512 S *	7/2002	Sheehan	.....	D22/109
D611,113 S *	3/2010	Kay	.....	D22/109

(Continued)

**OTHER PUBLICATIONS**

“MatchPoint USA EdgeMatch Inverted Glock Sights” [online].  
Hrachya H. [Published on Jan. 3, 2019]. Retrieved from the Internet:  
<<https://www.thefirearmblog.com/blog/2019/01/03/matchpoint-usa-edgematch-inverted-glock-sights/>>.\*

*Primary Examiner* — Mojtaba Tehrani

(57) **CLAIM**

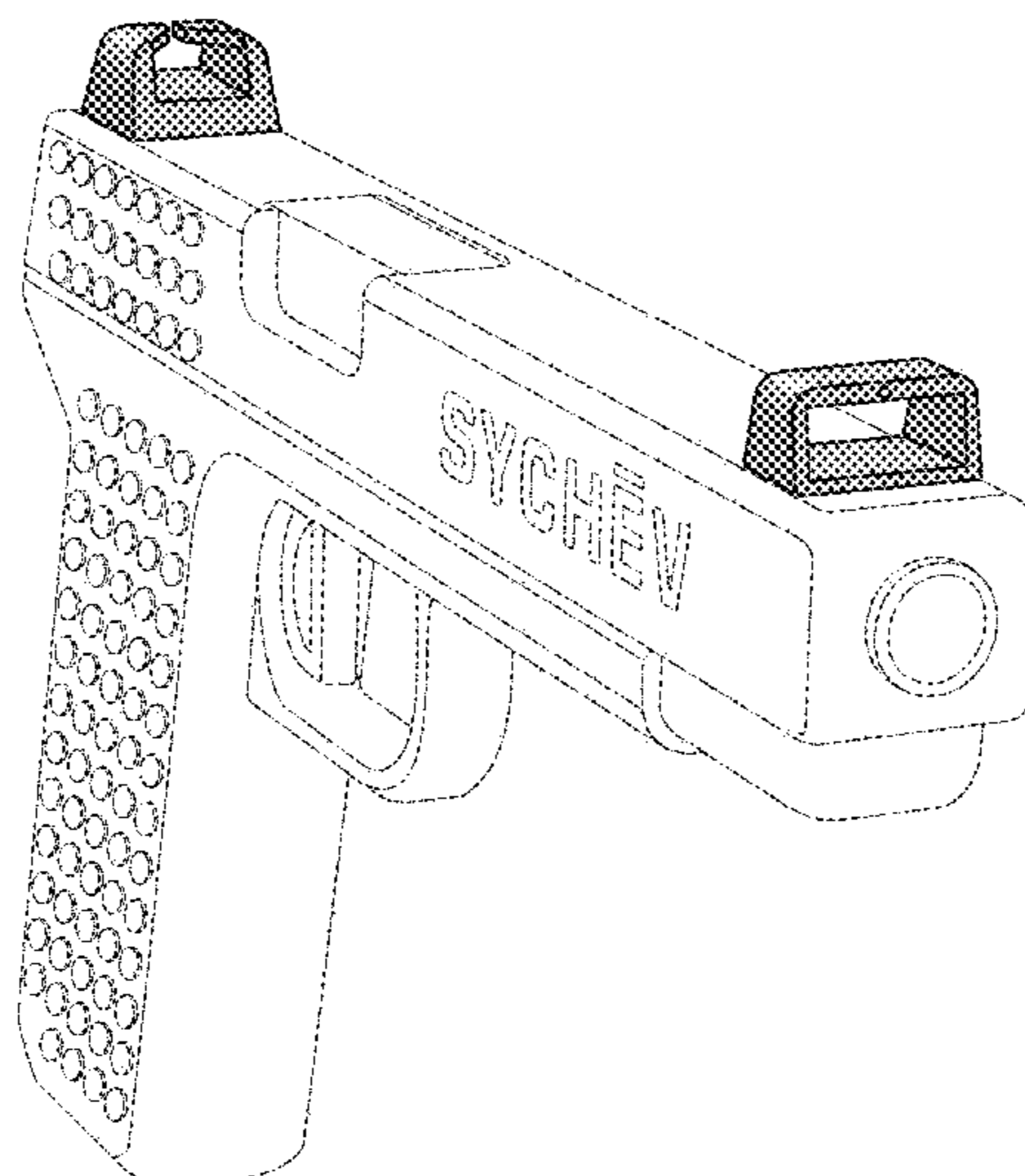
The ornamental design for a set of gun sights, as shown and described.

**DESCRIPTION**

1. Set of gun sights
  - 1.1 : Perspective
  - 1.2 : Perspective
  - 1.3 : Perspective
  - 1.4 : Perspective
  - 1.5 : Left
  - 1.6 : Right
  - 1.7 : Front
  - 1.8 : Top
  - 1.9 : Enlarged
  - 1.10 : Enlarged
  - 1.11 : Enlarged
  - 1.12 : Enlarged
  - 1.13 : Enlarged
  - 1.14 : Enlarged
  - 1.15 : Enlarged
  - 1.16 : Enlarged
  - 1.17 : Enlarged
  - 1.18 : Enlarged
  - 1.19 : Enlarged
  - 1.20 : Enlarged

The industrial design refers to the set of mechanical sight mounts for sports, hunting, combat firearms, pneumatic and other small arms, and its imitations; the set contains a front sight and a rear sight with an increased slot width; the broken lines and letters are not part of the claimed design.

**1 Claim, 20 Drawing Sheets**



(56)

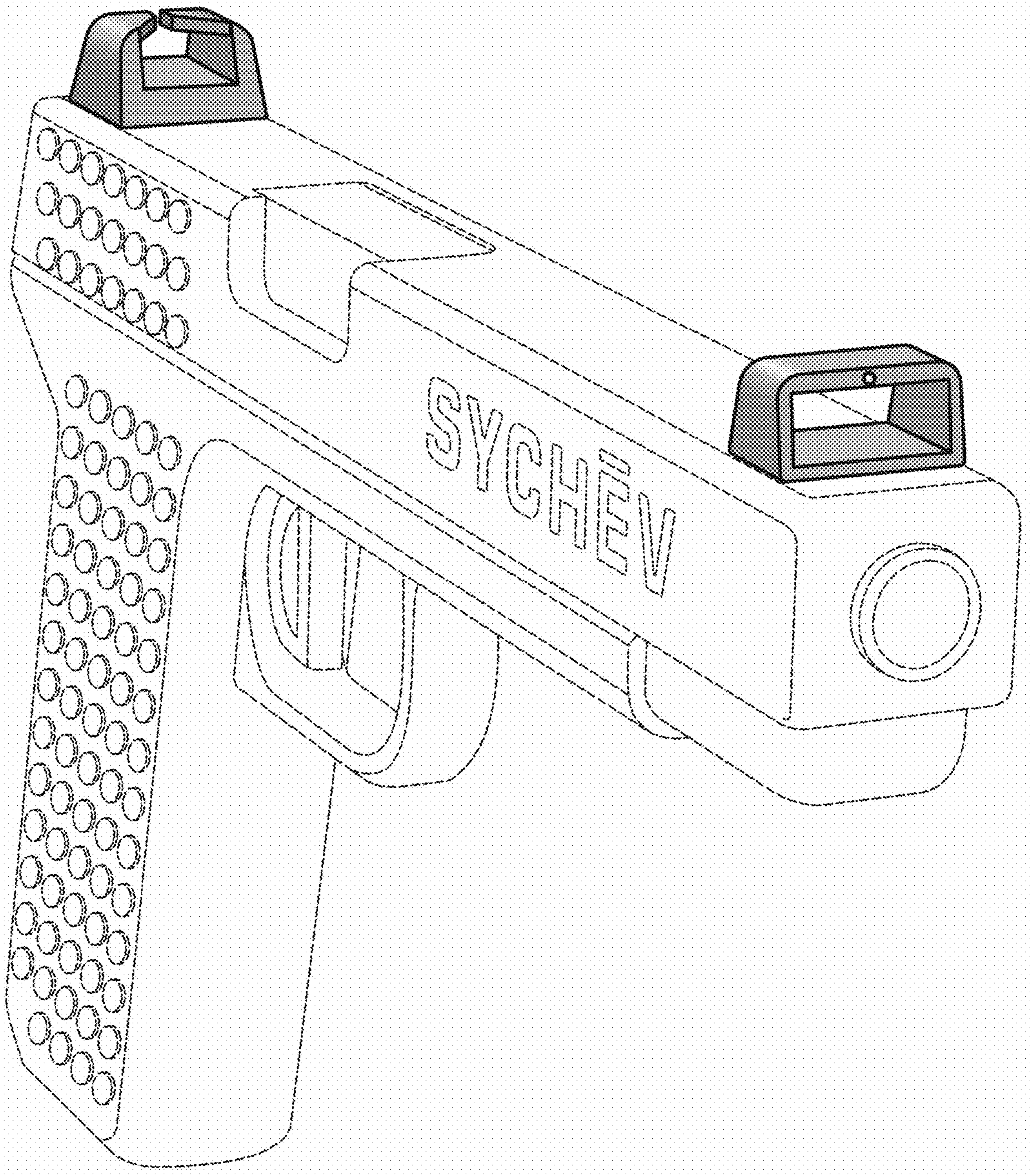
**References Cited**

U.S. PATENT DOCUMENTS

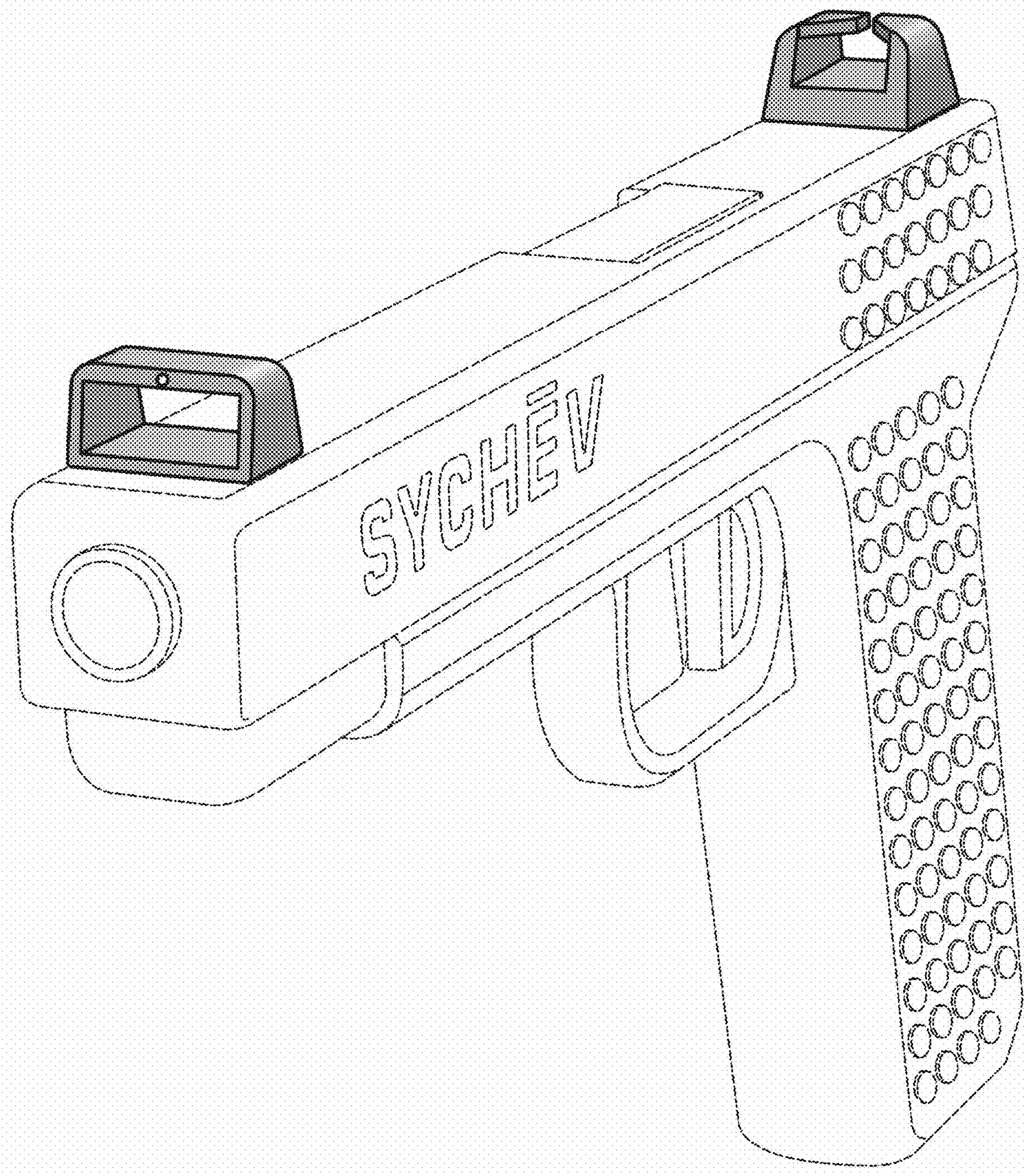
D642,952 S *	8/2011	Elwell .....	D10/121
D801,468 S *	10/2017	Kedairy .....	D22/109
D921,815 S *	6/2021	Lee .....	D22/108
D921,816 S *	6/2021	Lee .....	D22/108
D967,325 S *	10/2022	Bengtsson .....	D22/109
2015/0192390 A1 *	7/2015	Pedack .....	F41G 1/01 42/111

\* cited by examiner

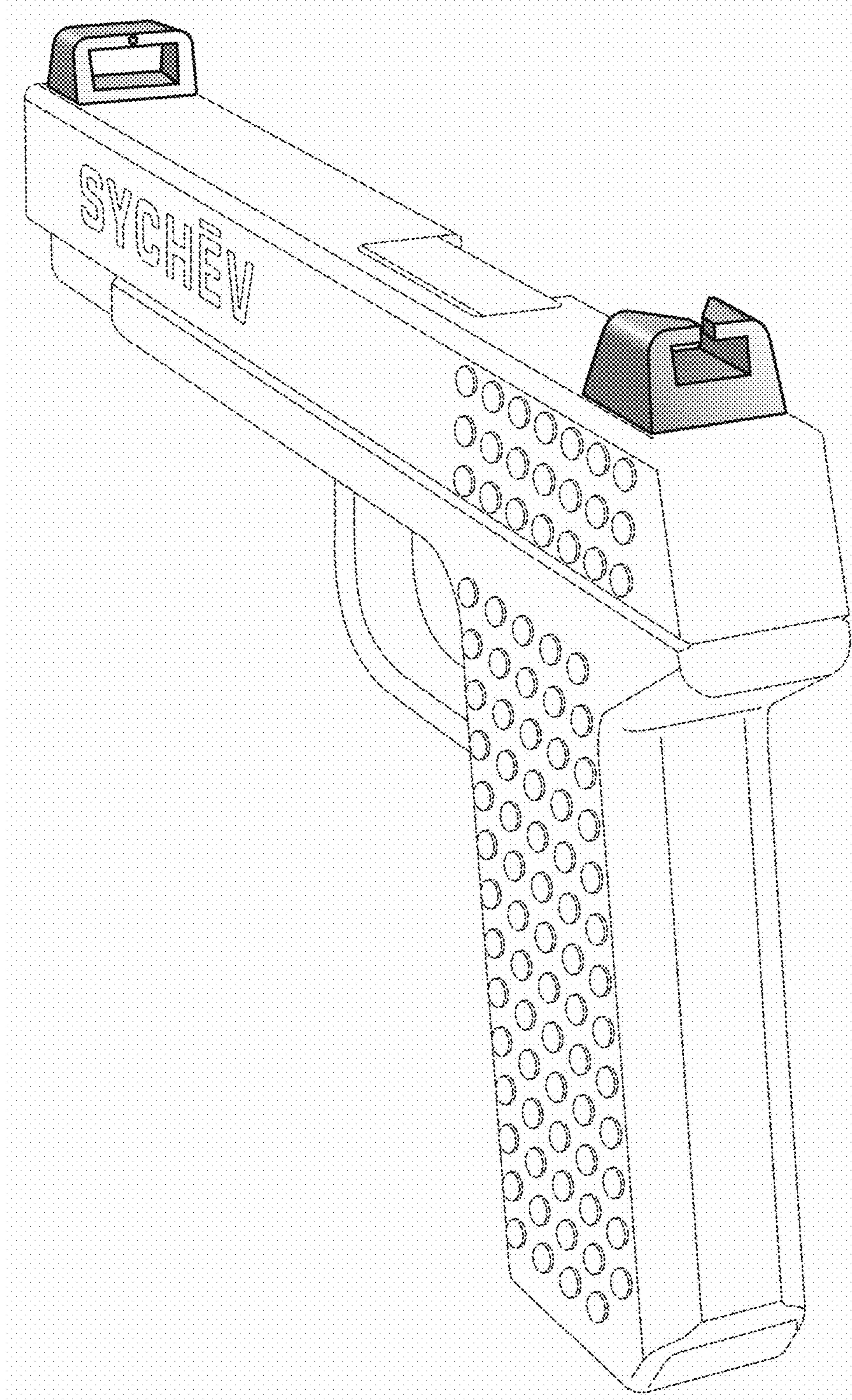
1.1



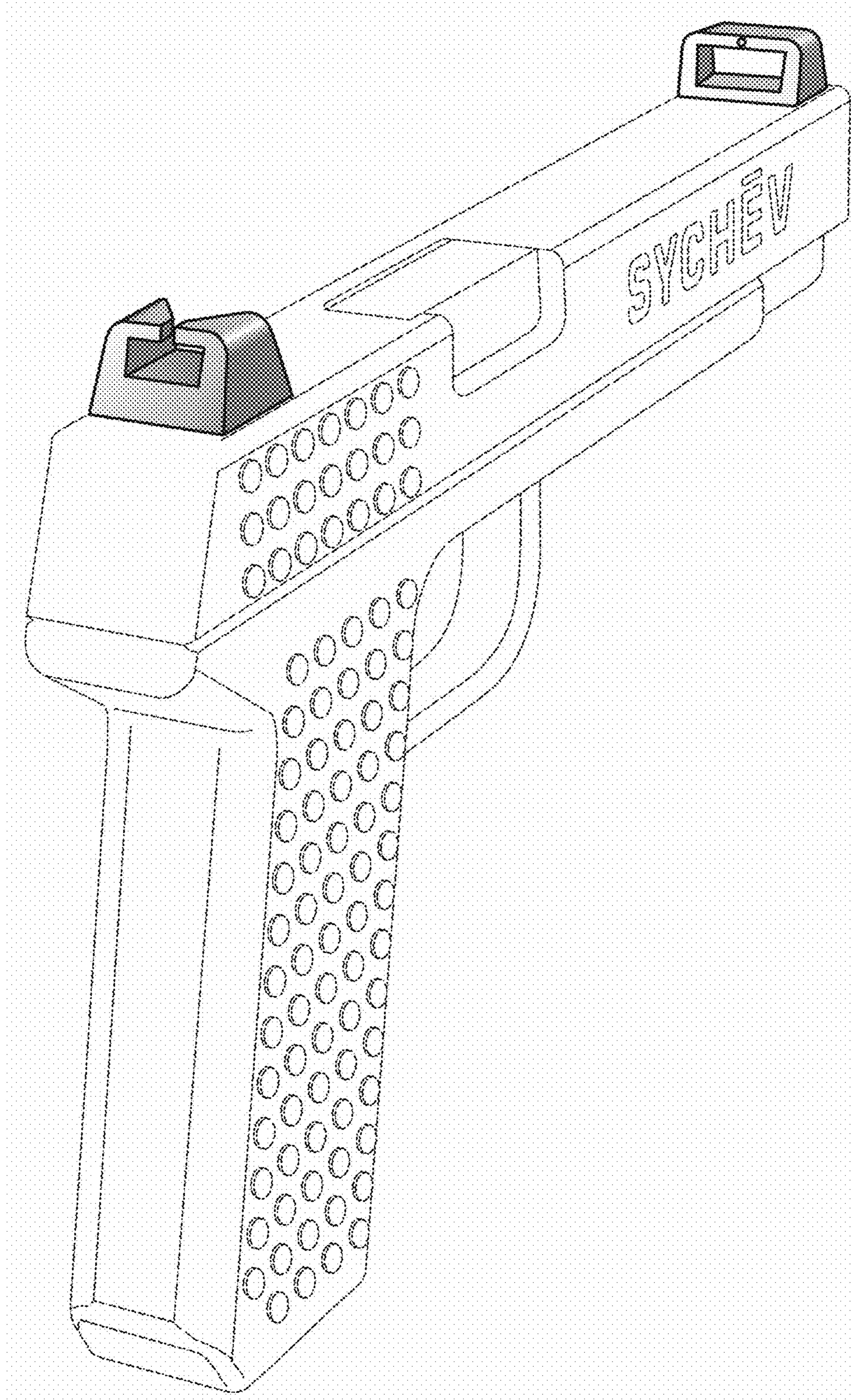
1.2



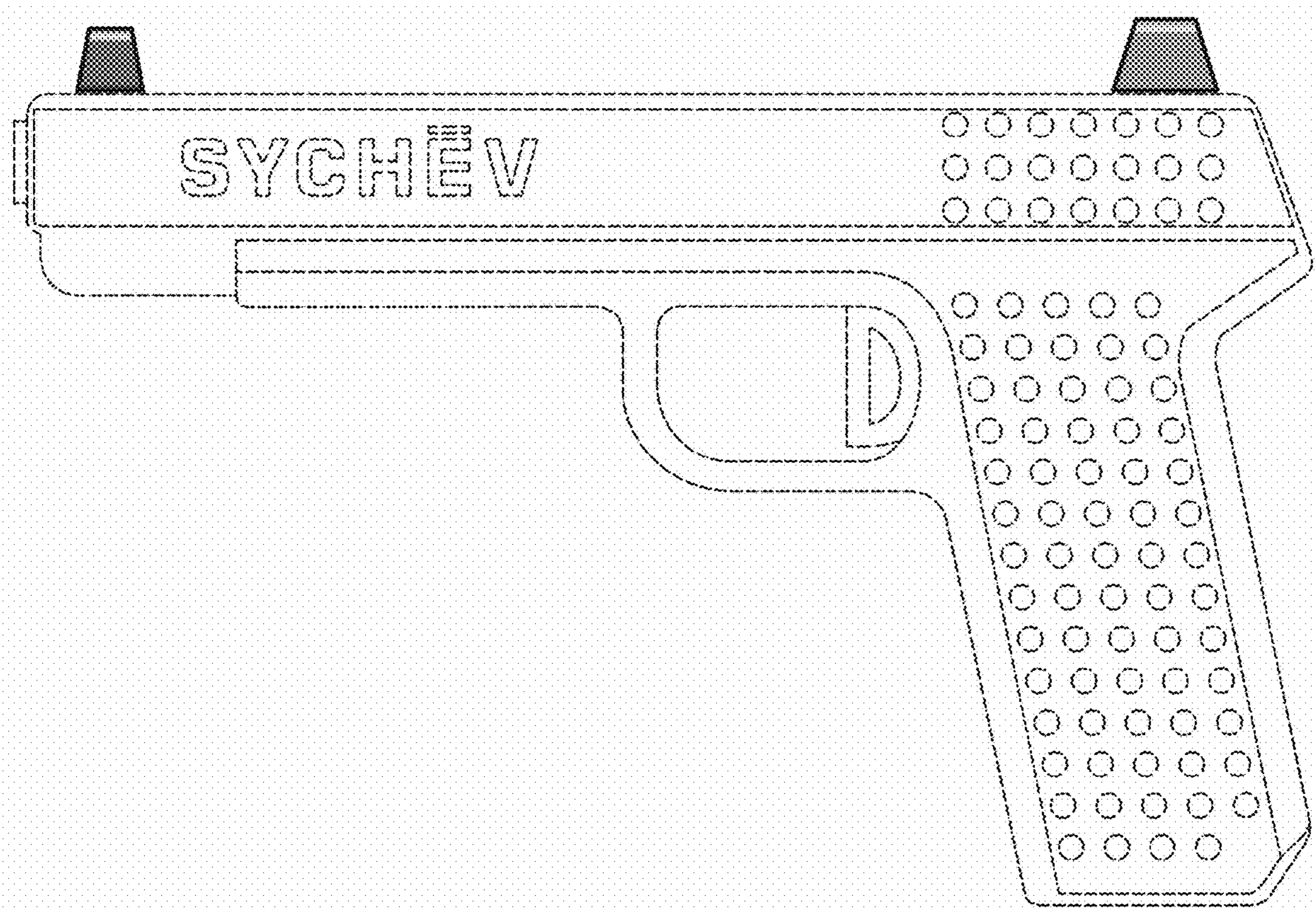
1.3



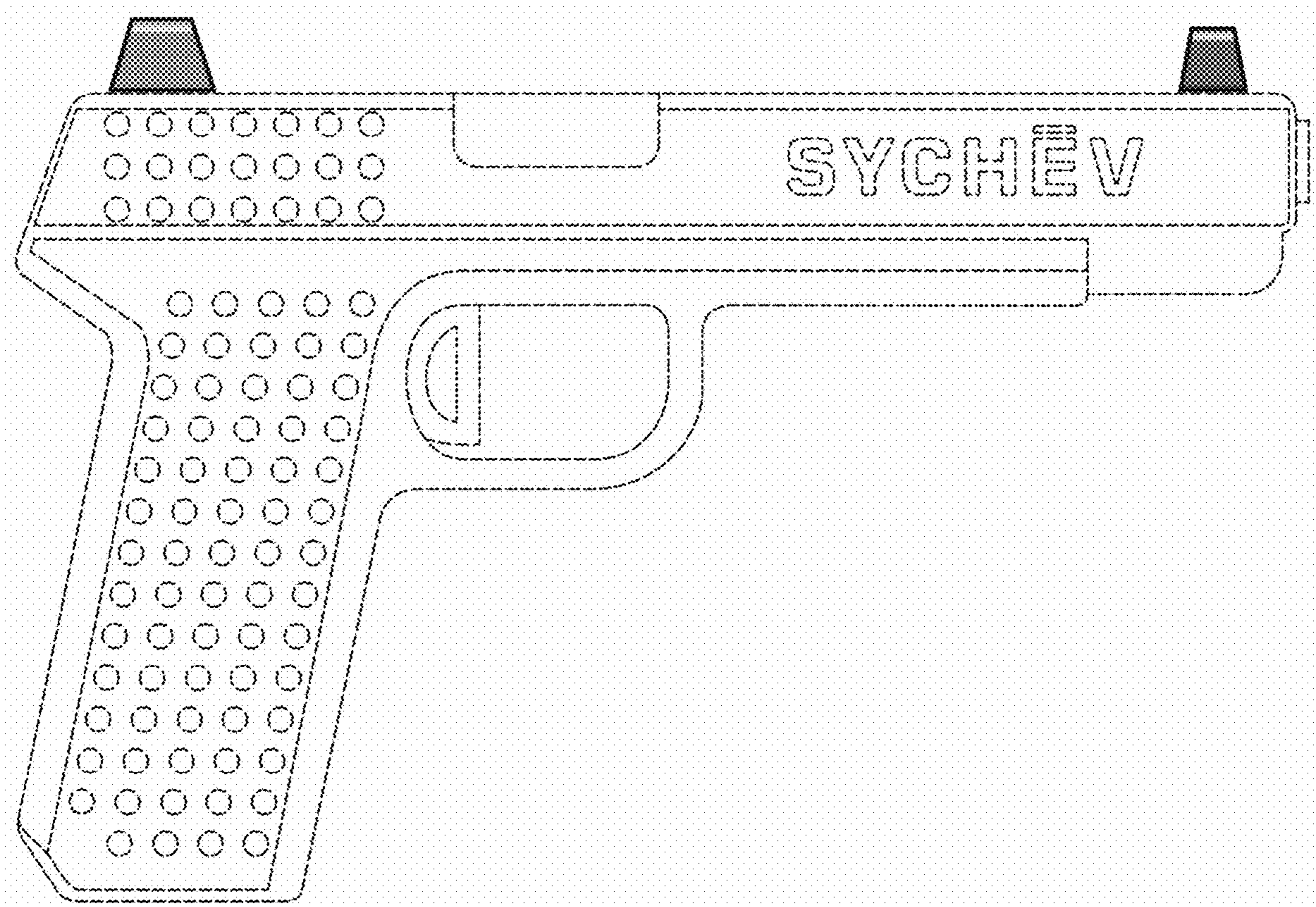
1.4



1.5

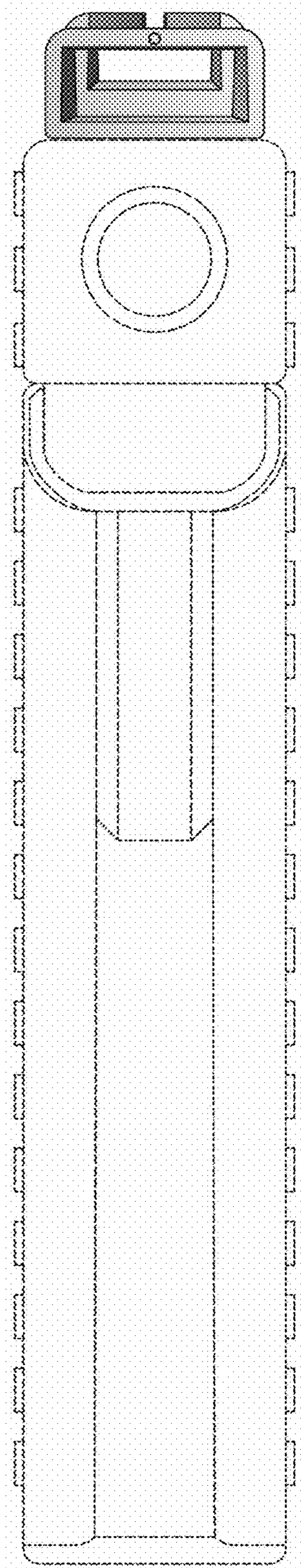


1.6

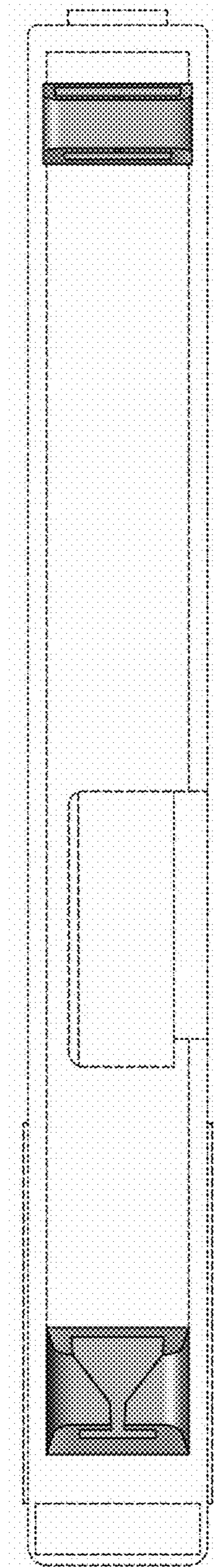




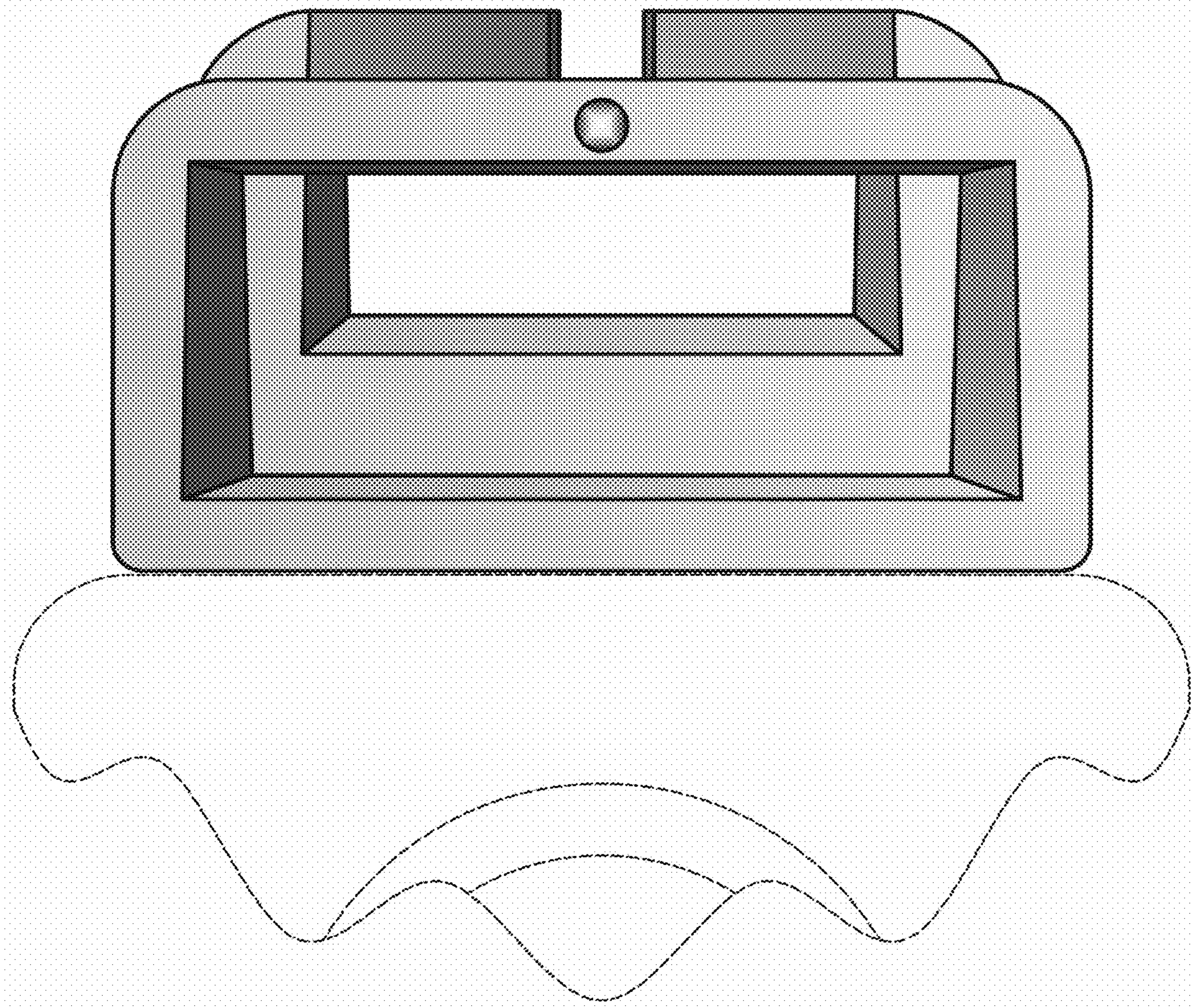
1.7



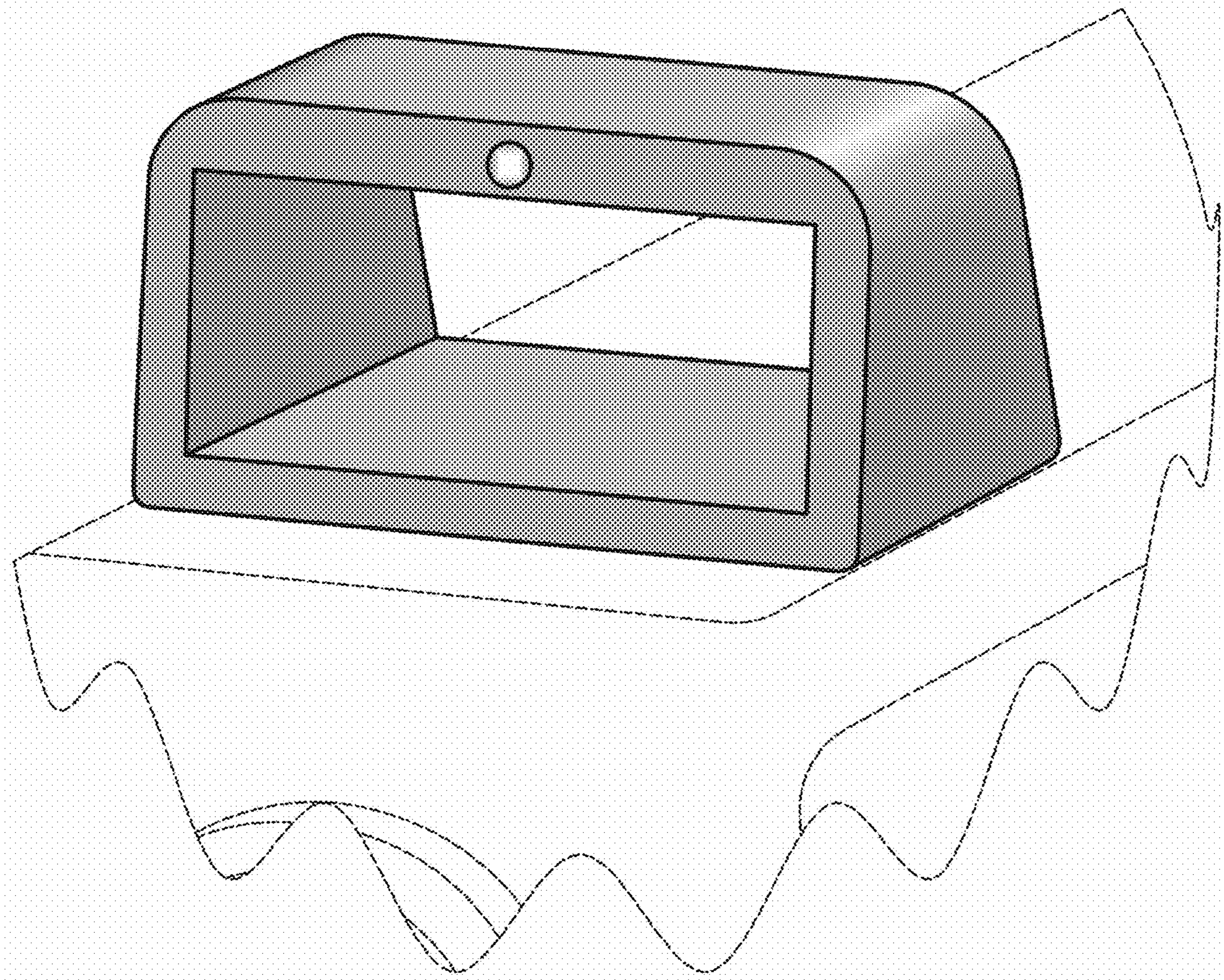
1.8



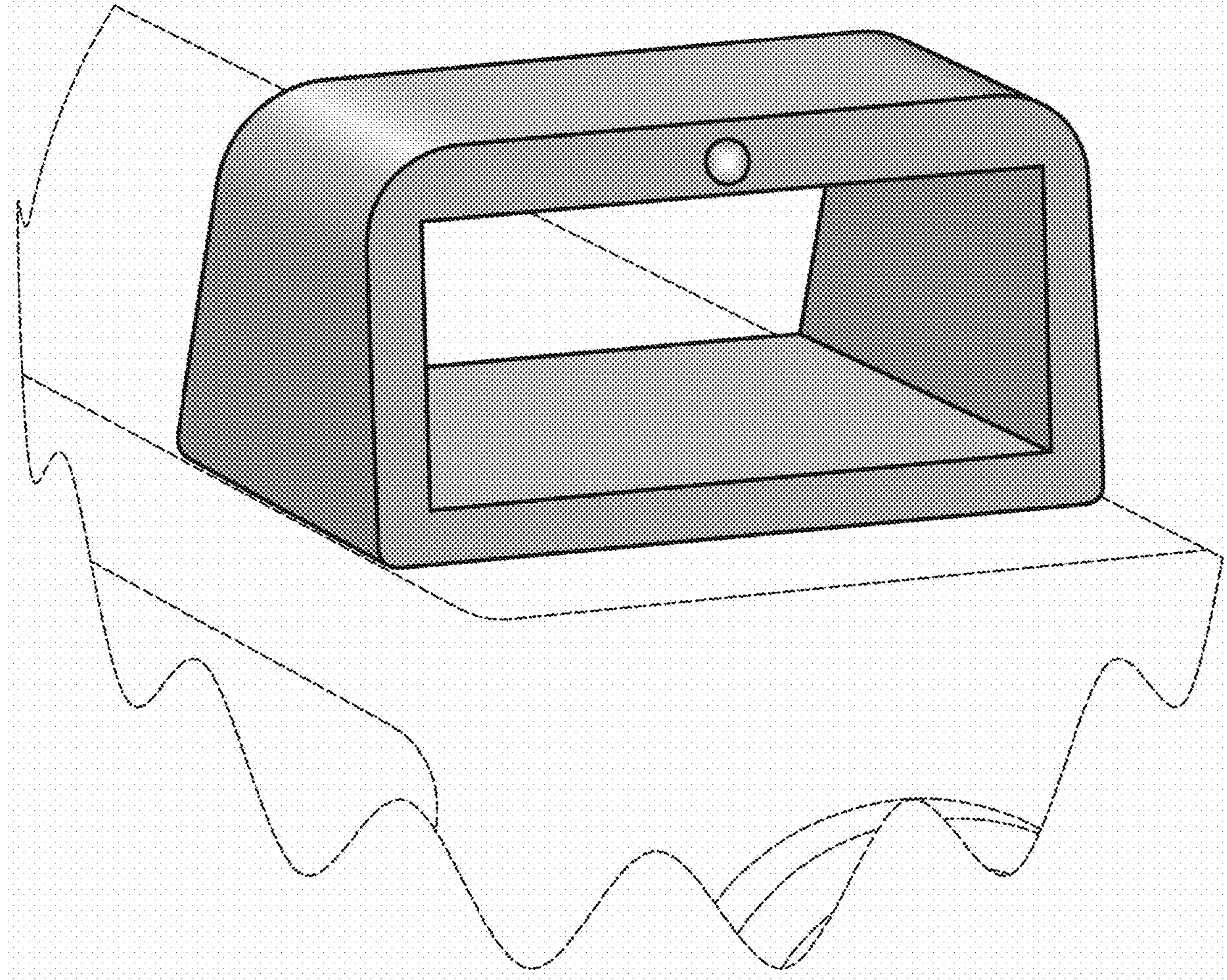
1.9



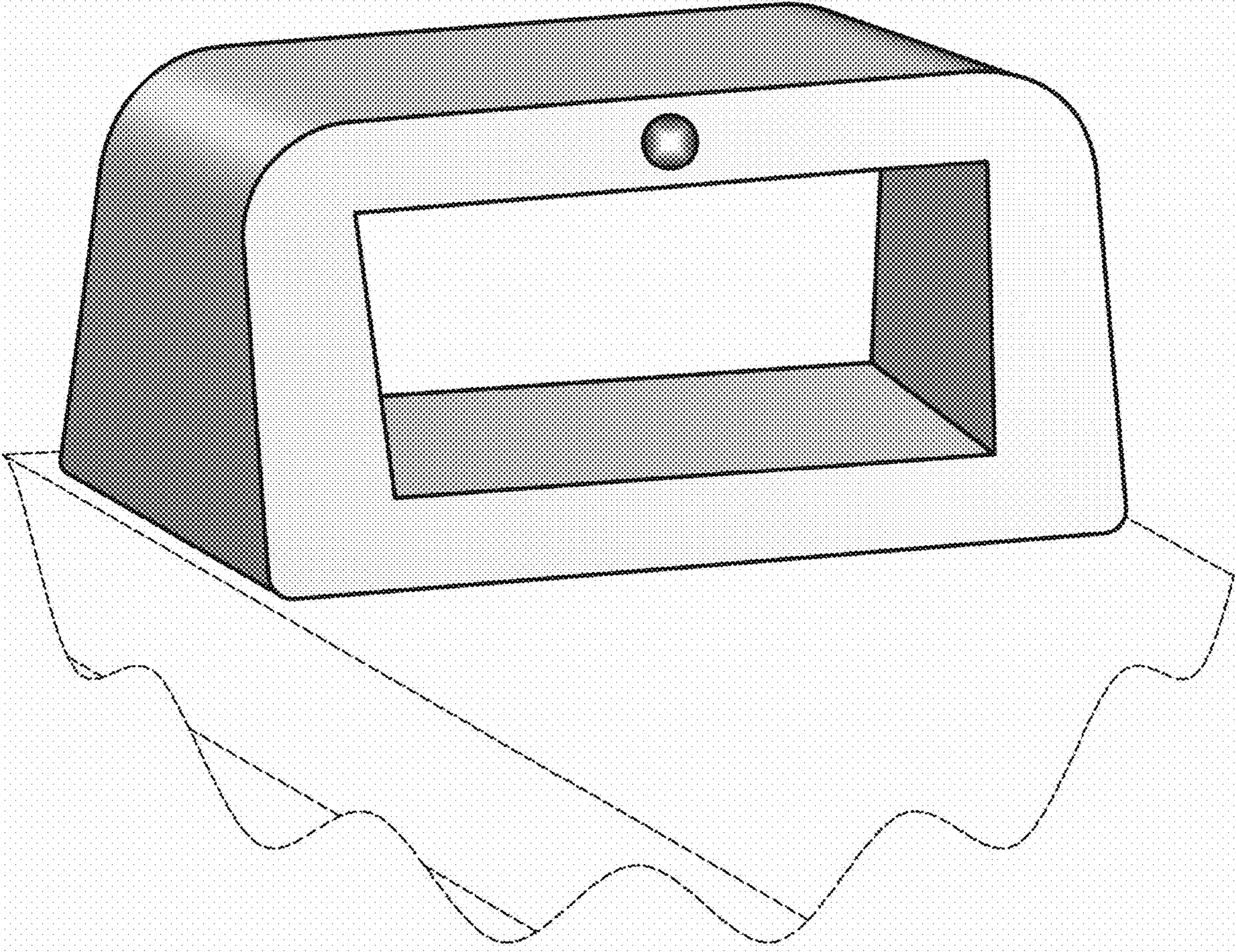
1.10



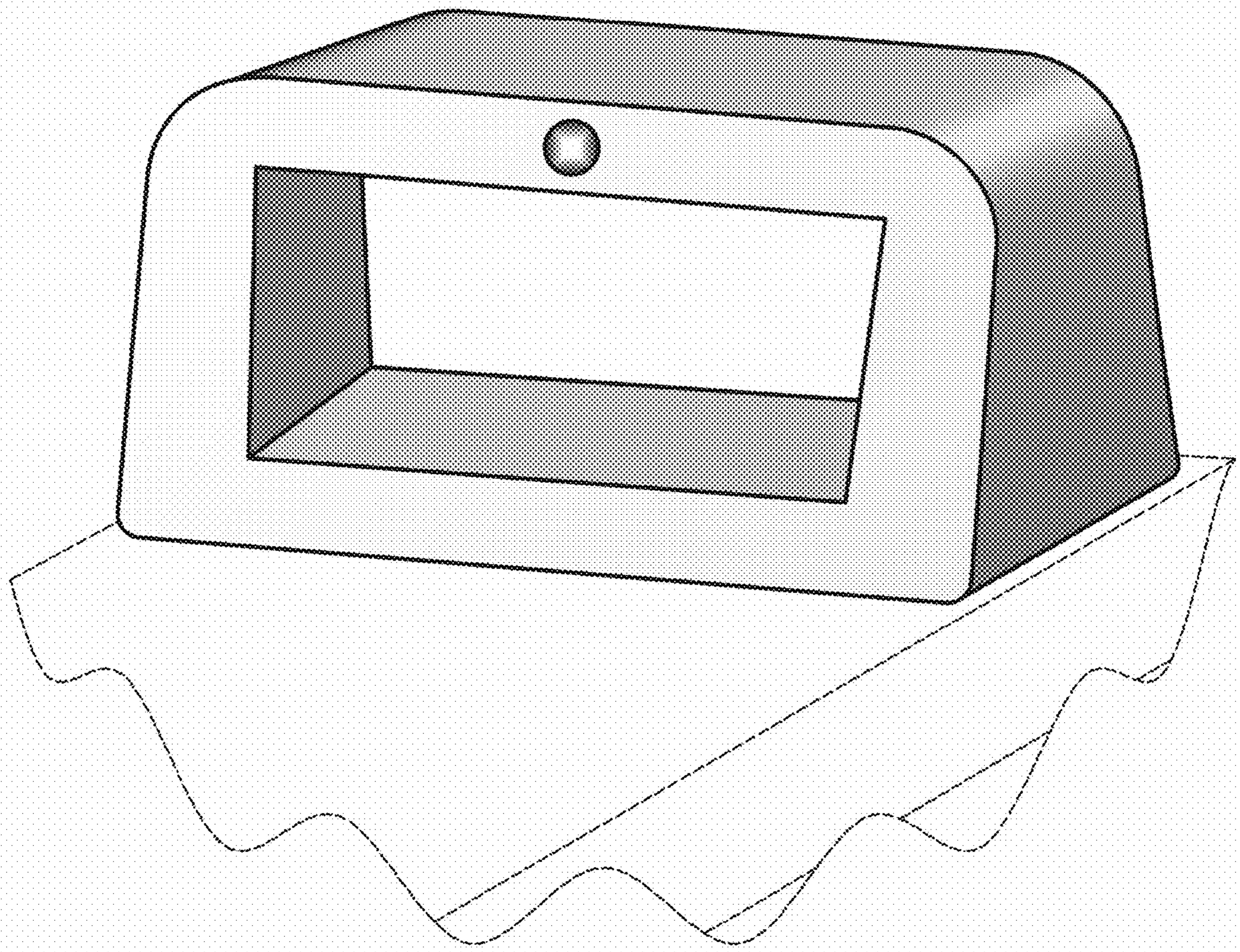
1.11



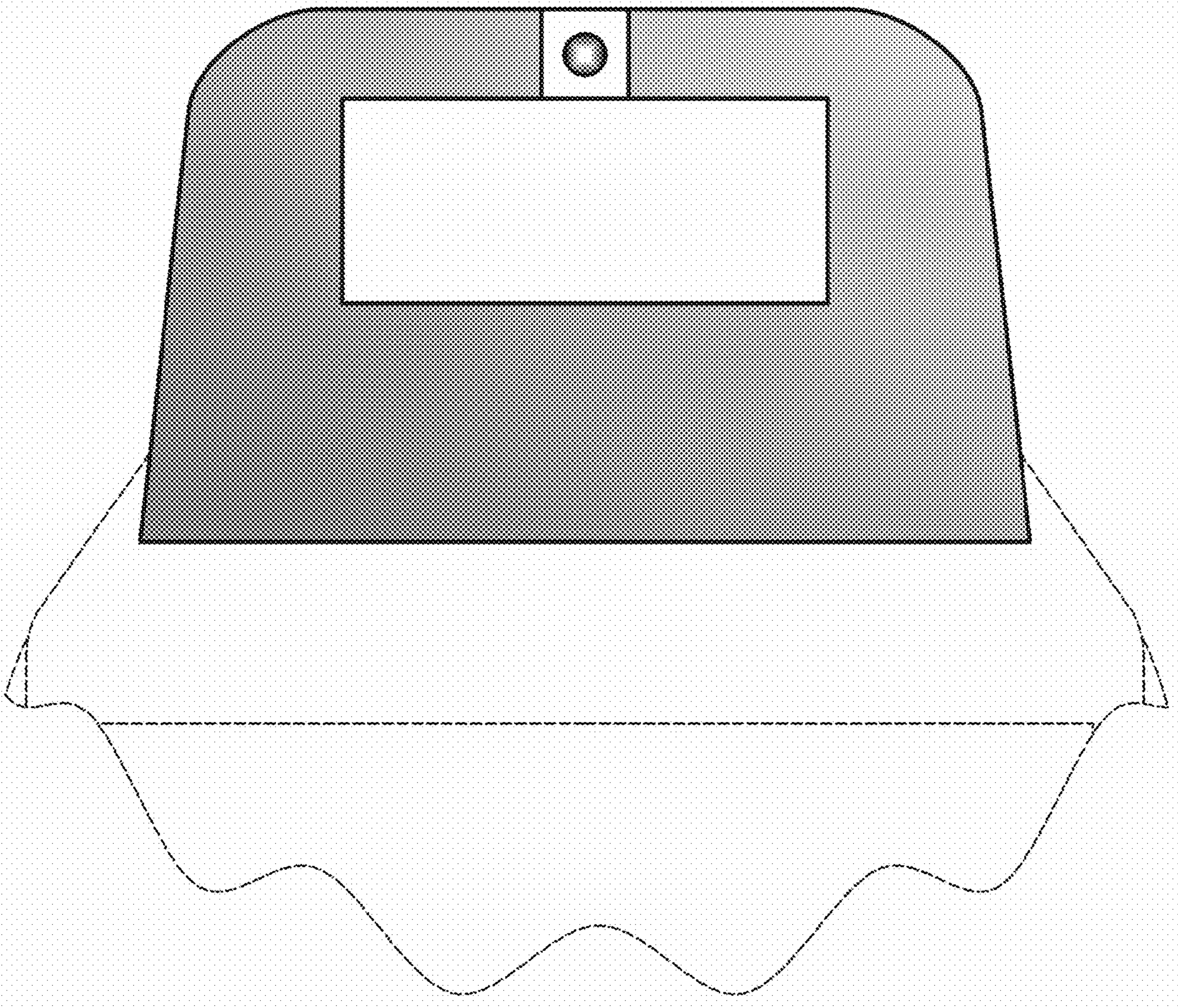
1.12



1.13

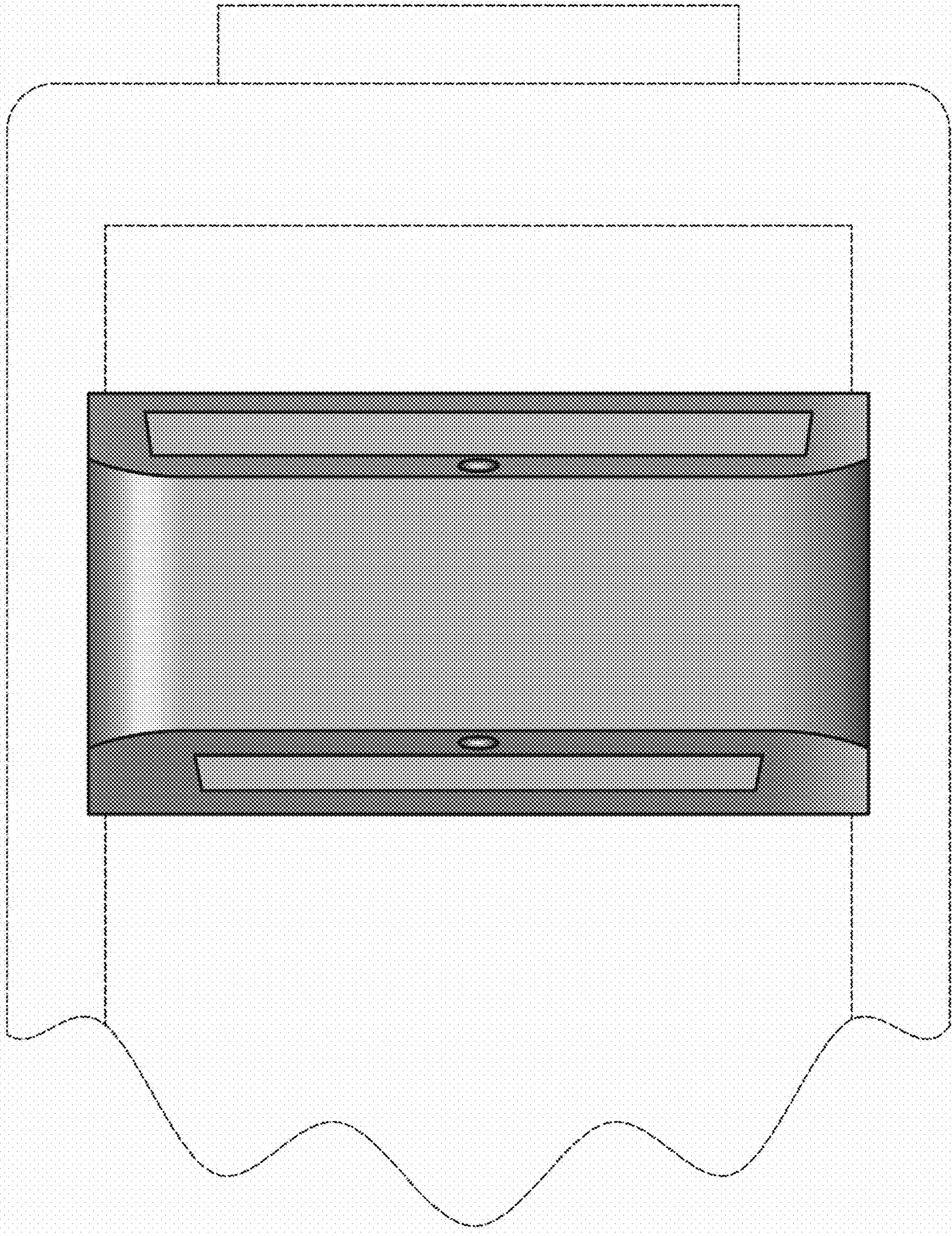


1.14

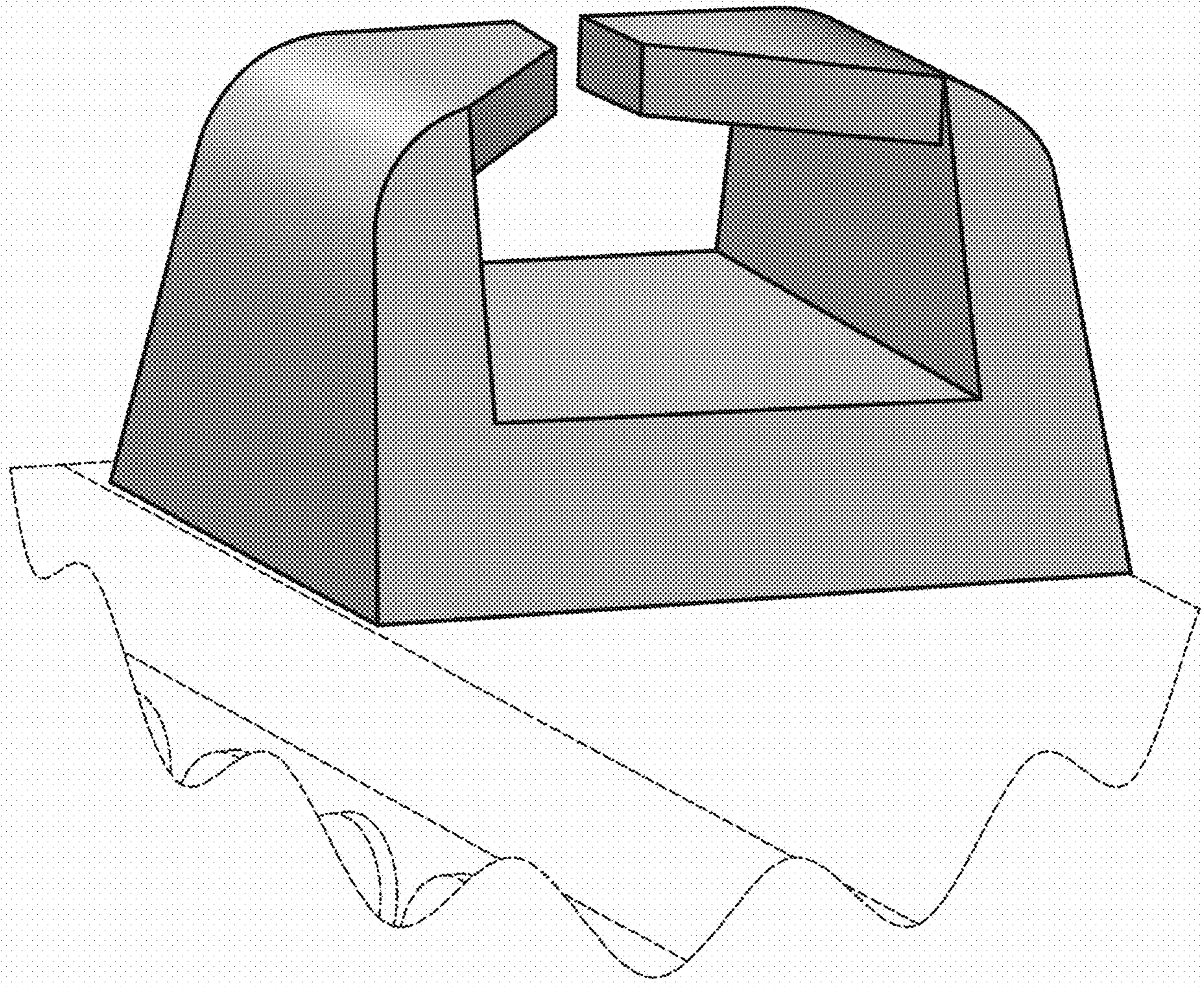




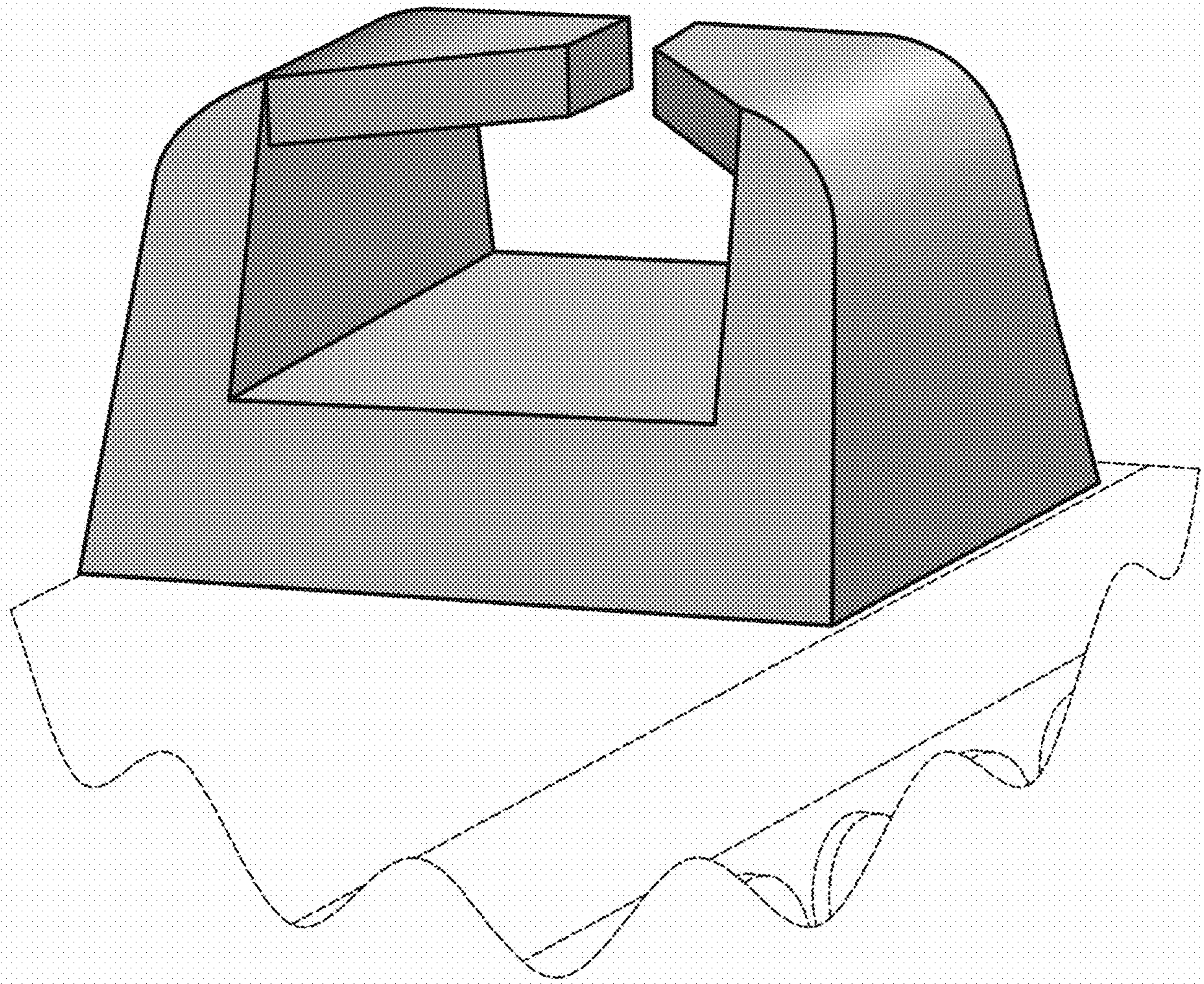
1.15



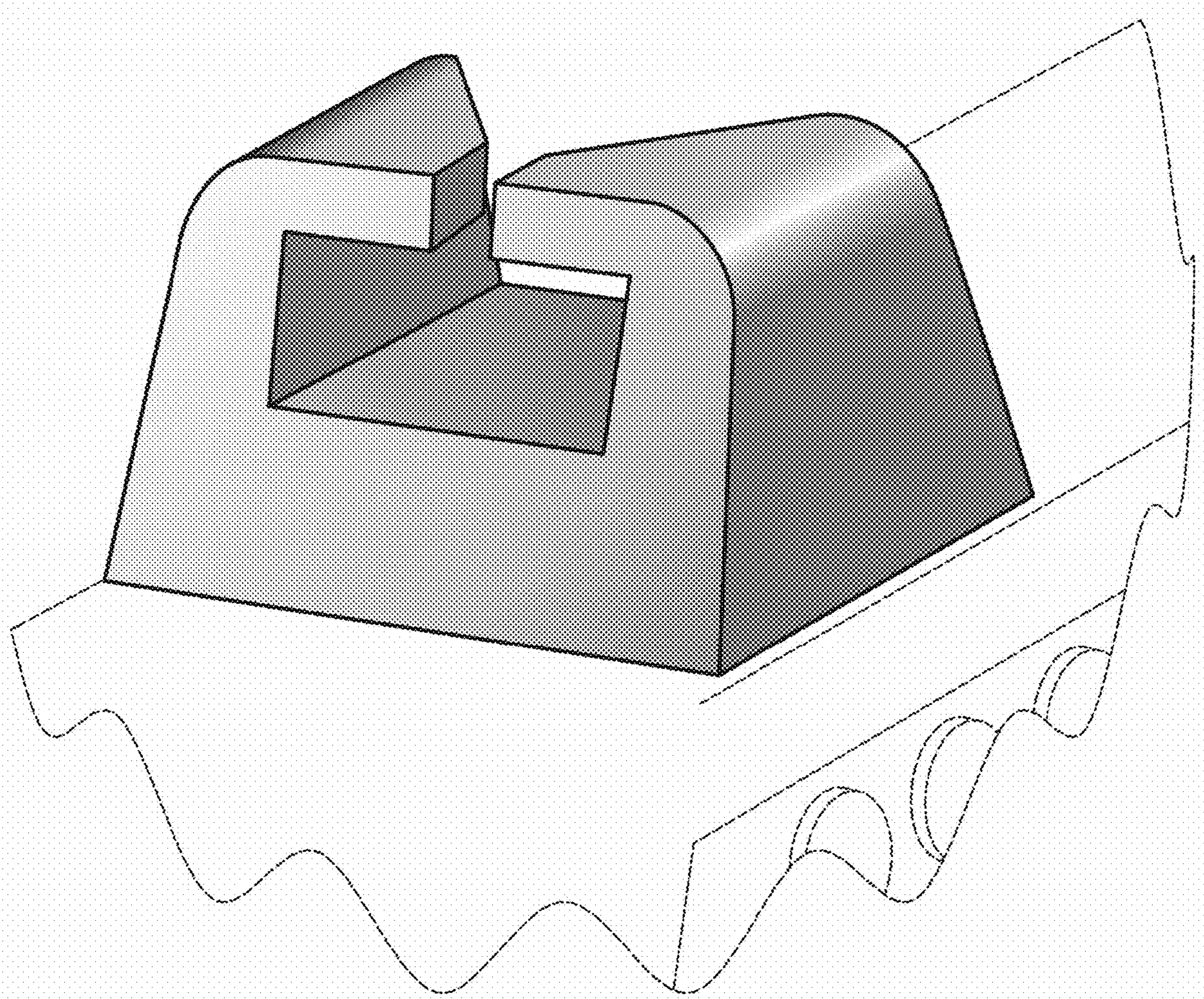
1.16



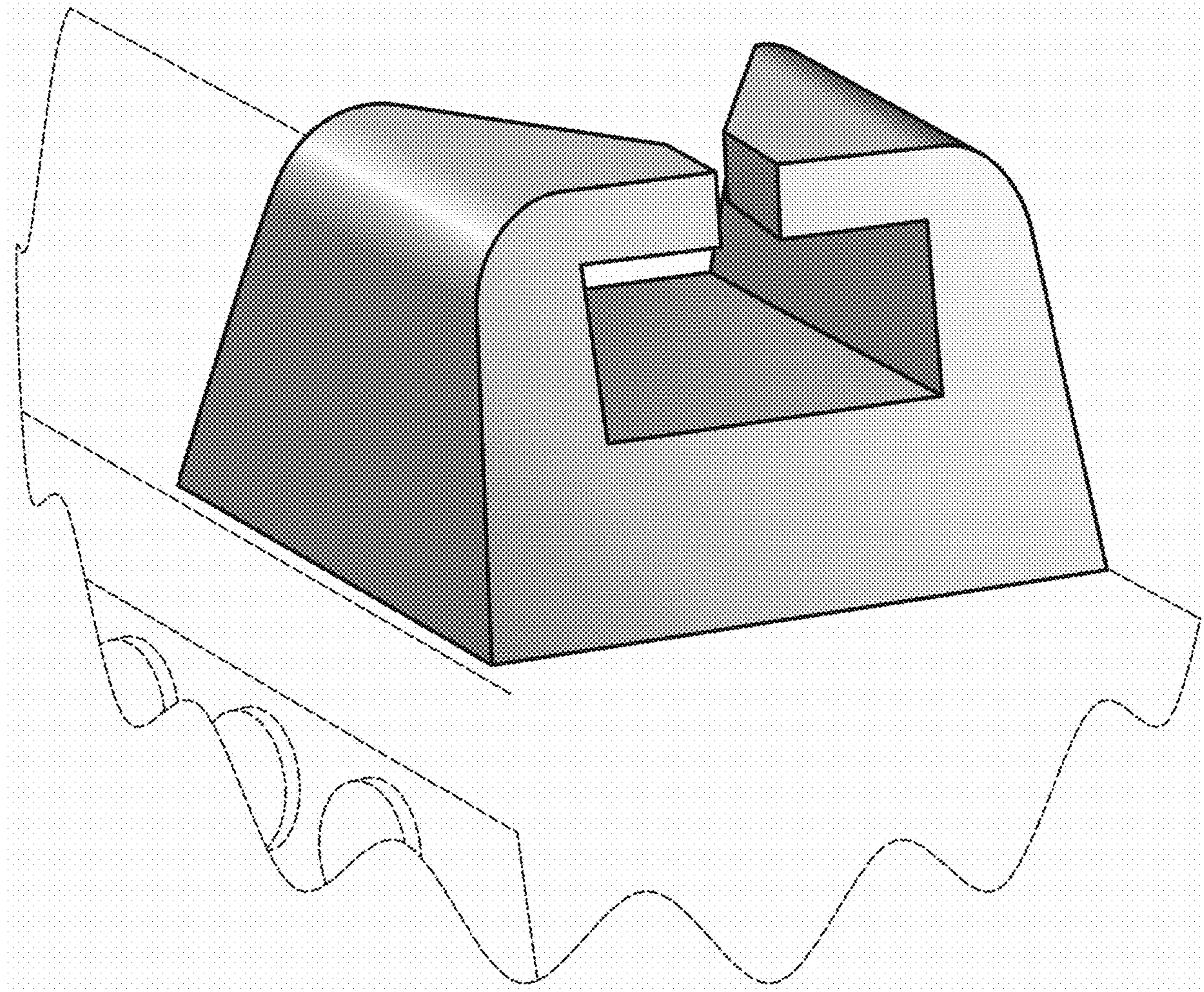
1.17



1.18



1.19



1.20

