



US00D981521S

(12) **United States Design Patent**  
**Wang**

(10) **Patent No.:** **US D981,521 S**  
(45) **Date of Patent:** **\*\* Mar. 21, 2023**

(54) **PORTABLE AIR COMPRESSOR COVER**

(71) Applicant: **Yiying Wang**, Ganzhou (CN)

(72) Inventor: **Yiying Wang**, Ganzhou (CN)

(\*\*) Term: **15 Years**

(21) Appl. No.: **29/861,037**

(22) Filed: **Nov. 25, 2022**

(51) **LOC (14) Cl.** ..... **21-04**

(52) **U.S. Cl.**  
USPC ..... **D21/834**; D15/9; D13/184

(58) **Field of Classification Search**  
USPC .... D13/112, 113, 114, 116, 1, 18, 122, 184,  
D13/199; D21/834, 837, 838; D15/9  
CPC .. H05K 5/02; H05K 5/03; H05K 5/04; H05K  
5/09; H05K 5/10; H05K 5/0213; H05K  
5/0226; E04H 15/36; E04H 15/58; E04H  
15/425; F01N 1/083; F01N 1/084; F02B  
63/04; F02B 63/042; F02B 63/048; F02B  
2063/045; F02B 2063/046; F16M 3/00  
See application file for complete search history.

(56) **References Cited**

**U.S. PATENT DOCUMENTS**

5,078,096	A *	1/1992	Bishop	.....	E04H 15/40 119/497
D366,511	S *	1/1996	Coddington, Jr.	.....	D21/834
D372,953	S *	8/1996	Florez	.....	D21/838
D383,625	S *	9/1997	Dillner	.....	D6/331
D420,414	S *	2/2000	Lah	.....	D21/834
D445,966	S *	7/2001	Licciardello	.....	D30/109
D469,496	S *	1/2003	Schur	.....	D21/834
7,222,635	B2 *	5/2007	Cantwell	.....	E04H 15/32 135/117
8,132,585	B2 *	3/2012	Rothweil	.....	A45F 3/52 135/117
D662,055	S *	6/2012	Little	.....	D13/122
D700,218	S	2/2014	Chu		
D700,628	S	3/2014	Chu		
D710,391	S	8/2014	Chu		

D718,828	S *	12/2014	Jin	.....	D21/834
D785,568	S *	5/2017	Reif	.....	D13/122
D801,924	S *	11/2017	Priem	.....	D13/112
D903,596	S *	12/2020	Nielson	.....	D13/122

(Continued)

**OTHER PUBLICATIONS**

Mortons on the Move, "5 Best Portable Generator Covers to Protect and Muffle Noise", Mortons on the Move website, URL:<<https://www.mortsonsonthemove.com/portable-generator-covers/>> (Year: 2021).\*

(Continued)

*Primary Examiner* — Calvin E Vansant  
*Assistant Examiner* — Mark T. Philipps  
(74) *Attorney, Agent, or Firm* — Runit Ranjit Kanakia

(57) **CLAIM**

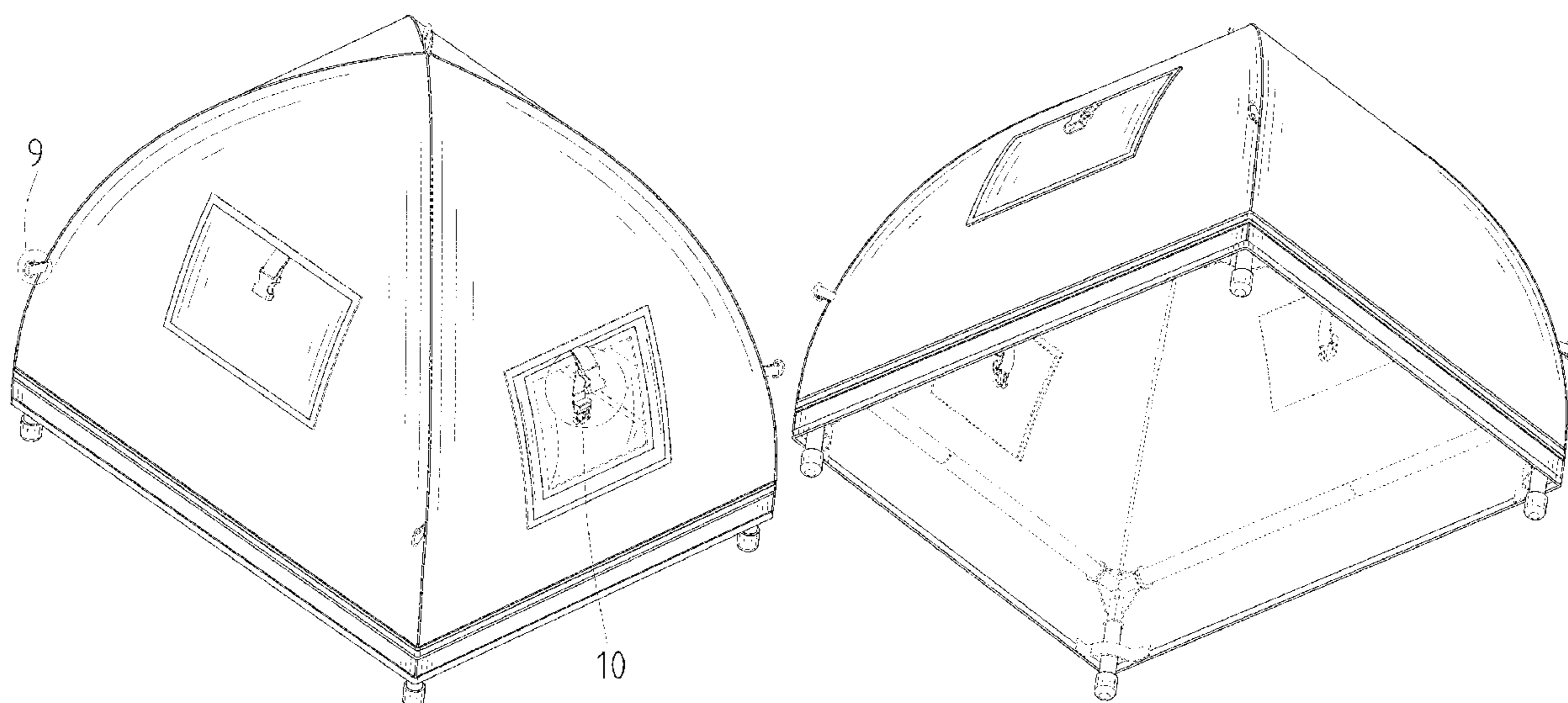
The ornamental design for a portable air compressor cover, as shown and described.

**DESCRIPTION**

FIG. 1 is a first perspective view of a portable air compressor cover showing my new design;  
FIG. 2 is a second perspective view thereof;  
FIG. 3 is a front view thereof;  
FIG. 4 is a back view thereof;  
FIG. 5 is a left side view thereof;  
FIG. 6 is a right side view thereof;  
FIG. 7 is a top view thereof;  
FIG. 8 is a bottom view thereof;  
FIG. 9 is an enlarged view of the selected portion 9 in FIG. 1; and,  
FIG. 10 is an enlarged view of the selected portion 10 in FIG. 1.

The broken lines shown in the drawings depict portions of the portable air compressor cover that form no part of the claimed design.

**1 Claim, 10 Drawing Sheets**



(56)

**References Cited**

## U.S. PATENT DOCUMENTS

D910,795	S	*	2/2021	Zhu	.....	D21/837
D919,738	S	*	5/2021	Chaklos	.....	D21/838
D925,686	S	*	7/2021	Guo	.....	D21/834
D928,899	S	*	8/2021	Zhu	.....	D21/837
D931,400	S	*	9/2021	Mei	.....	D21/837
D932,579	S	*	10/2021	Barnett	.....	D21/834
D951,192	S	*	5/2022	Ji	.....	D21/834
D961,035	S	*	8/2022	Zhu	.....	D21/834
D971,370	S	*	11/2022	Shi	.....	D21/834
2008/0185801	A1	*	8/2008	Gravlin	.....	B62B 3/02 280/47.11
2016/0290003	A1	*	10/2016	Yang	.....	E04H 15/60
2019/0010725	A1	*	1/2019	Bueno	.....	E04H 15/54

## OTHER PUBLICATIONS

Coverify, Generator Cover While Running-Portable Waterproof Generator Storage Cover, (first available Jun. 16, 2022), Amazon.com, URL:<<https://www.amazon.com/Coverify-Generator-Waterproof-Cover,All-Weather-Protection/dp/B0B49CCDPX>> (Year: 2022).\*

Igan, Small Inverter Generator Tent Cover While Running, (site visited Dec. 9, 2022), Amazon.com, URL:<<https://www.amazon.com/IGAN-Generator-1000-2300-Generators-All-Weather/dp/B08K3QN5HZ?th=1>> (Year: 2022).\*

GenTent, Champion Power Unit Storm Shield Inverter cover, (site visited Dec. 9, 2022), Cabelas Website, URL:<<https://www.cabelas.com/shop/en/champion-power-equipment-storm-shield-inverter-cover-by-gentent>> (Year: 2022).\*

\* cited by examiner

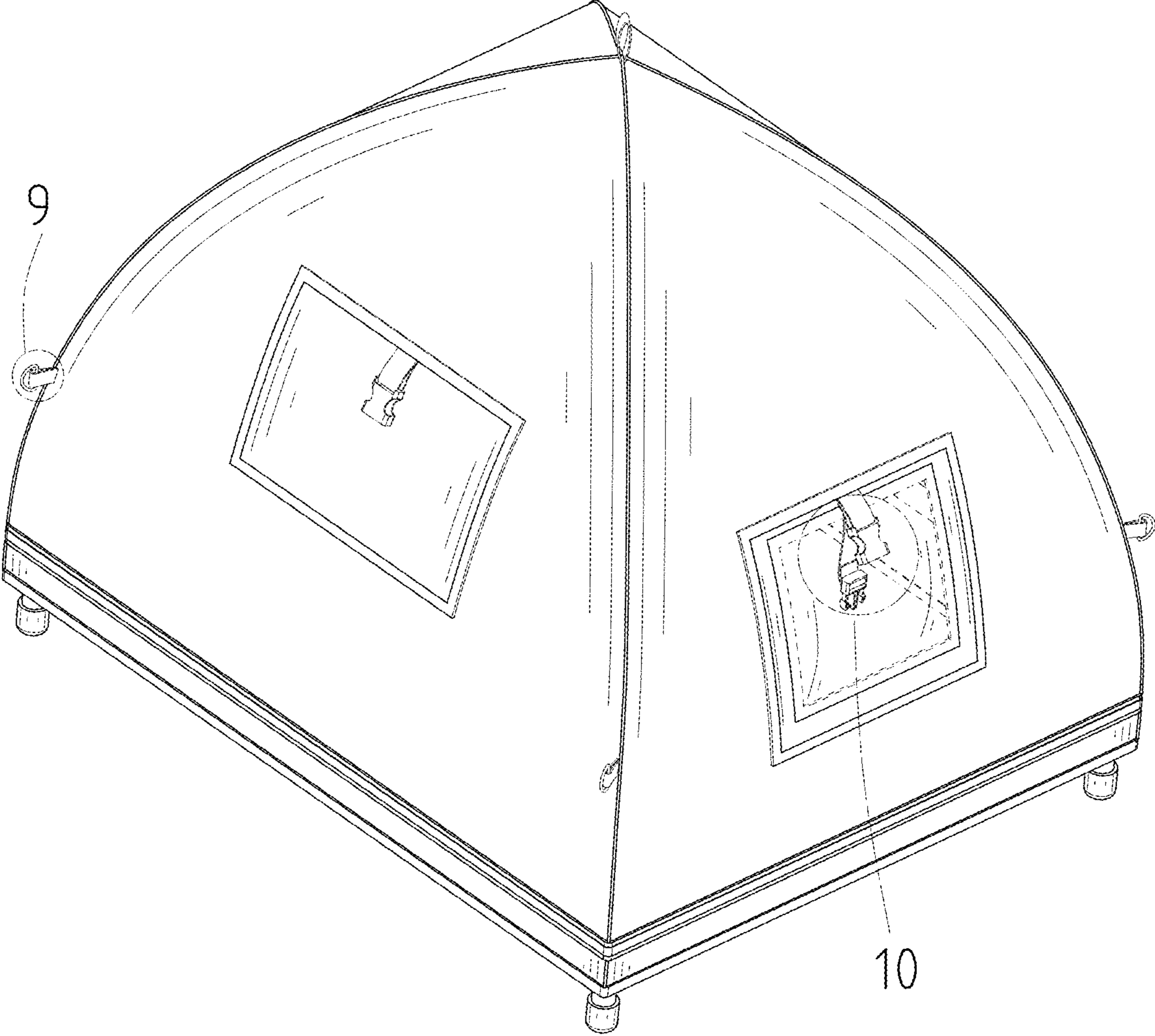


FIG. 1



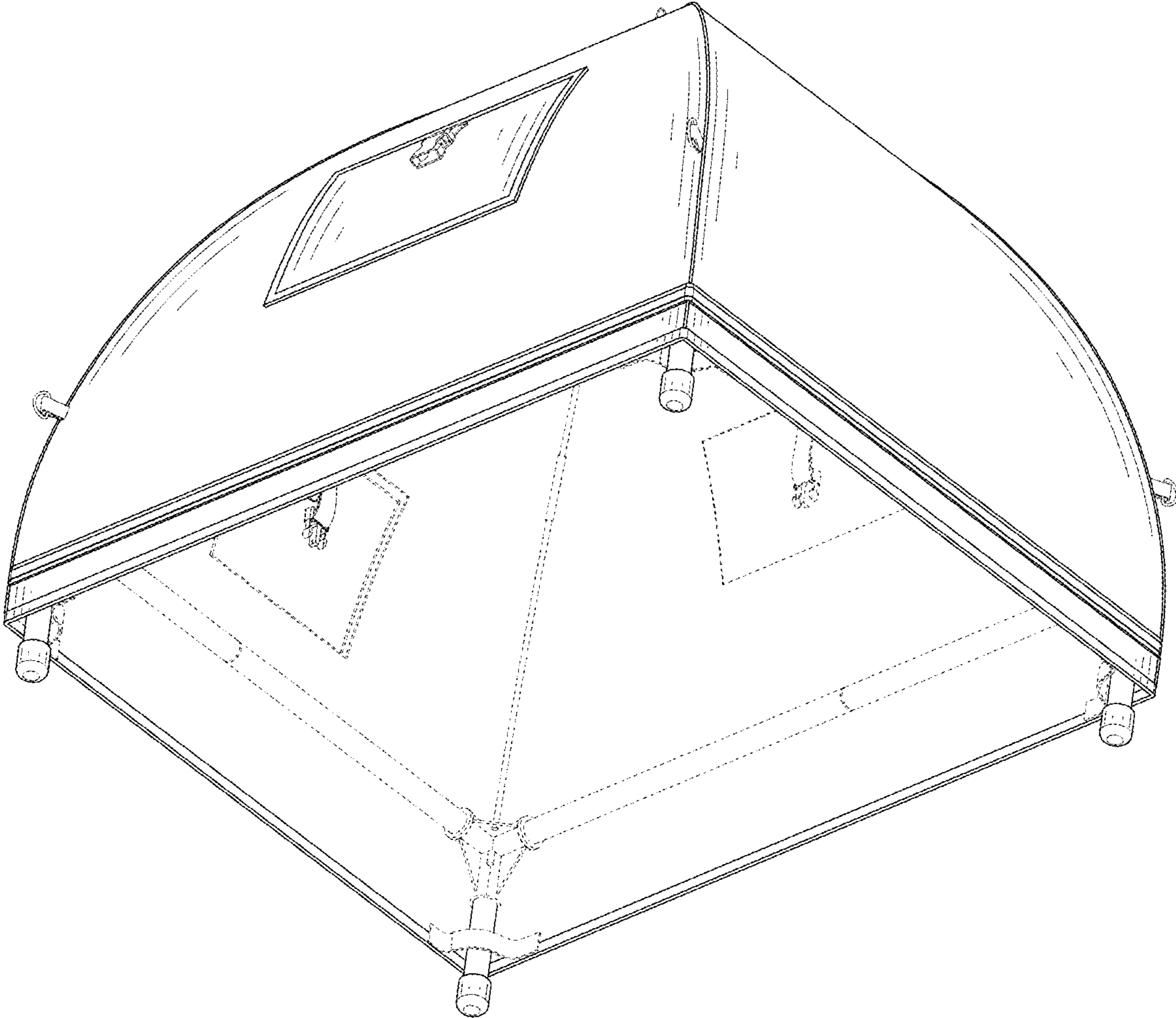


FIG. 2

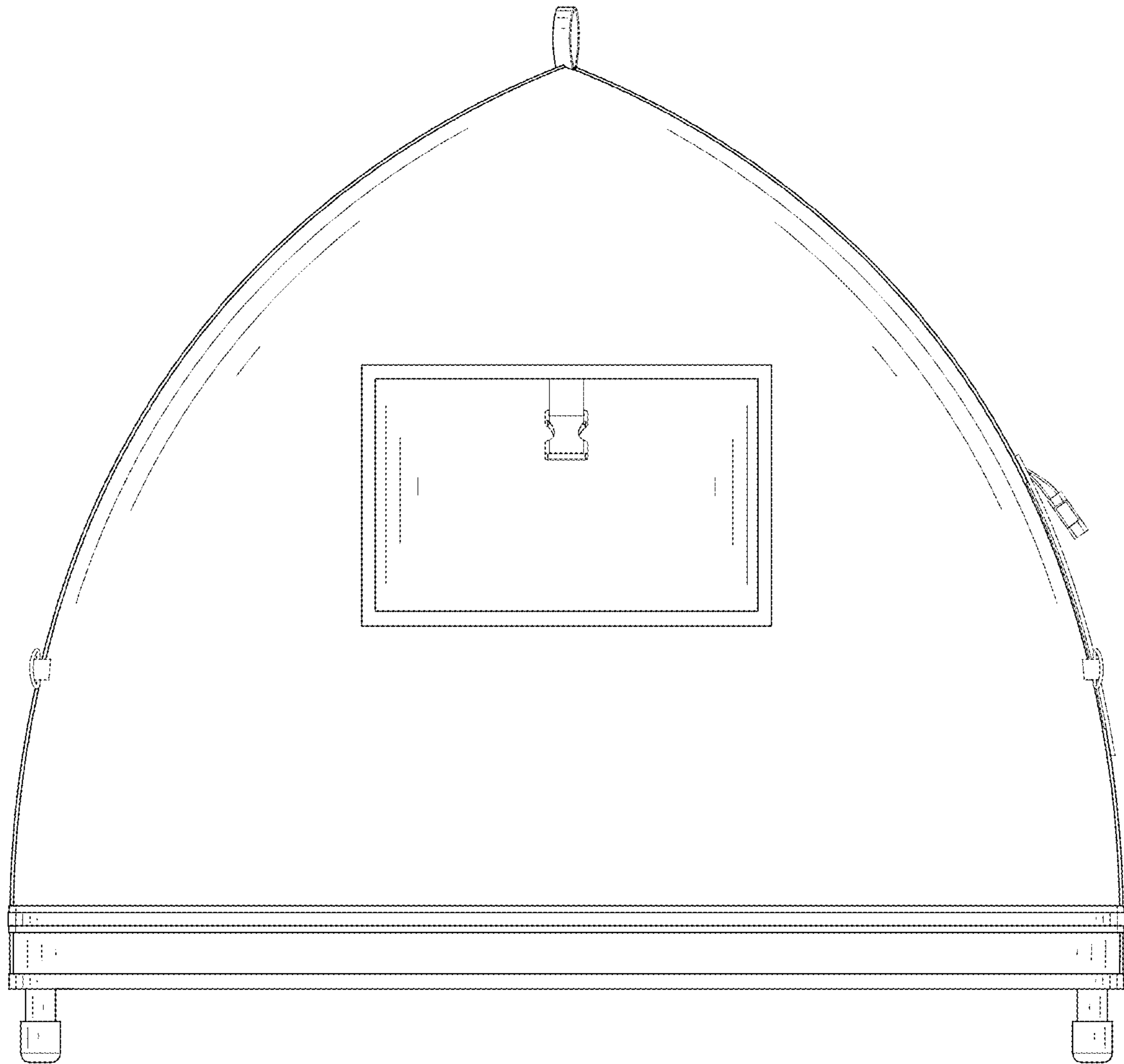


FIG. 3

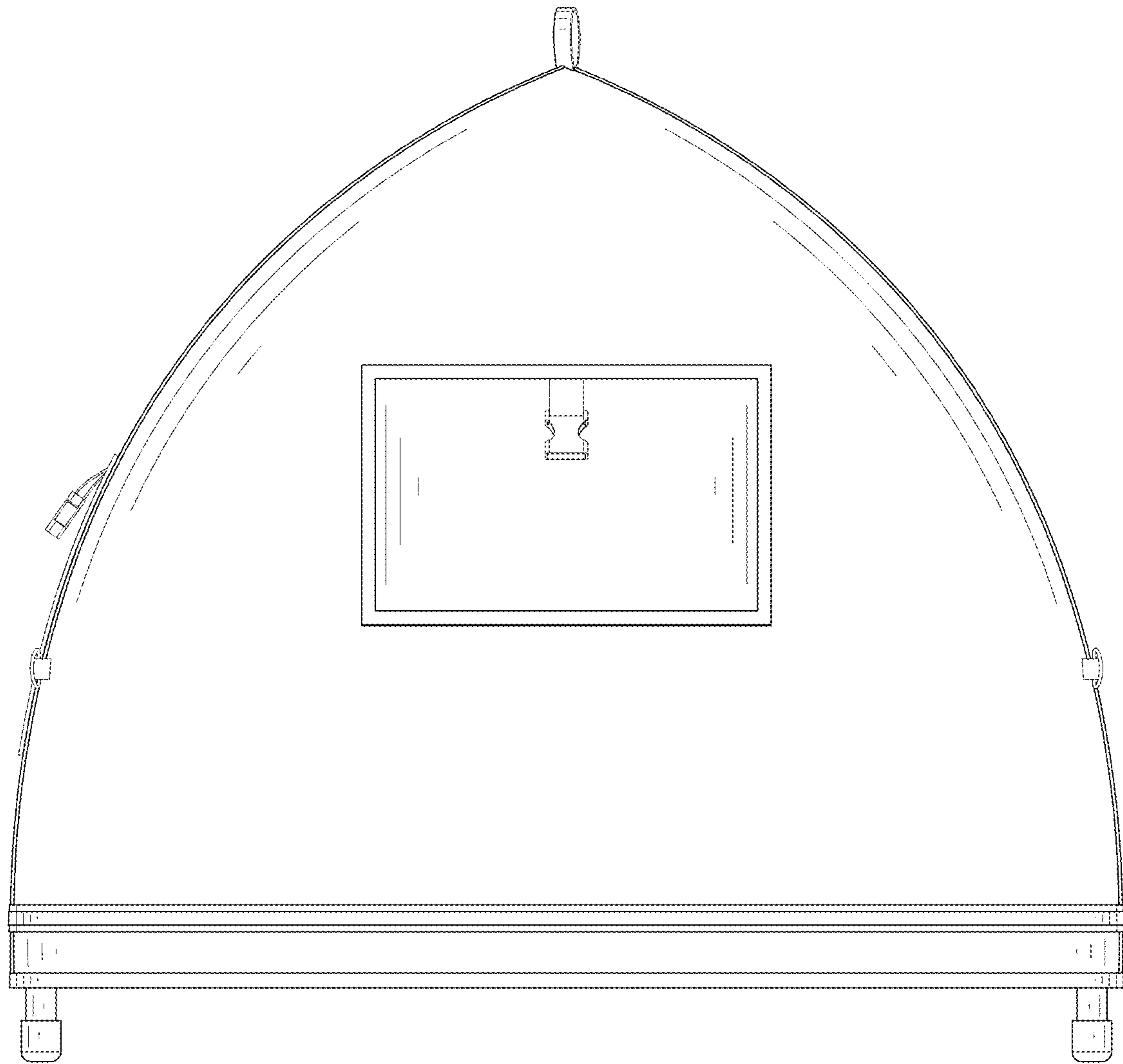


FIG. 4

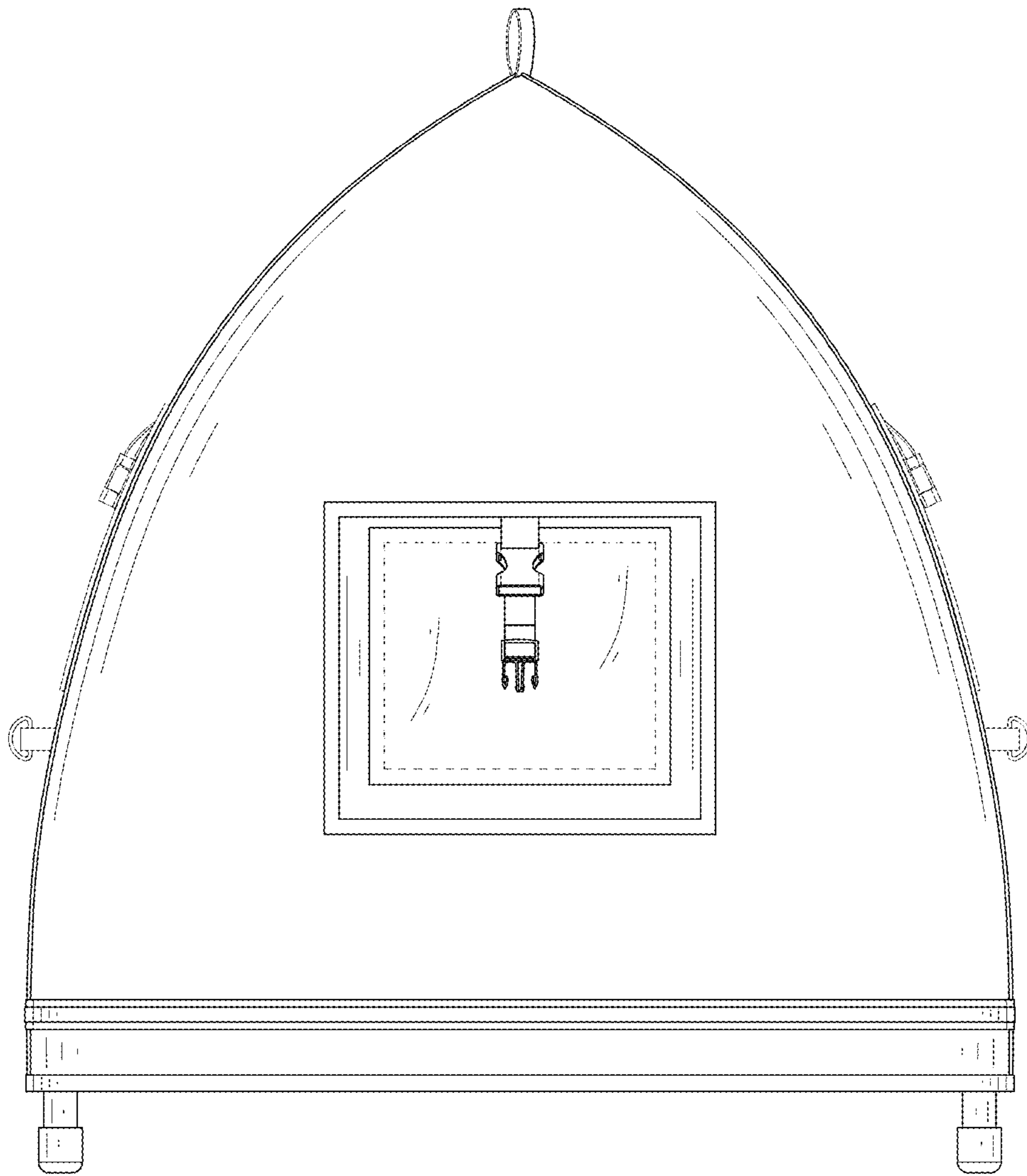


FIG. 5

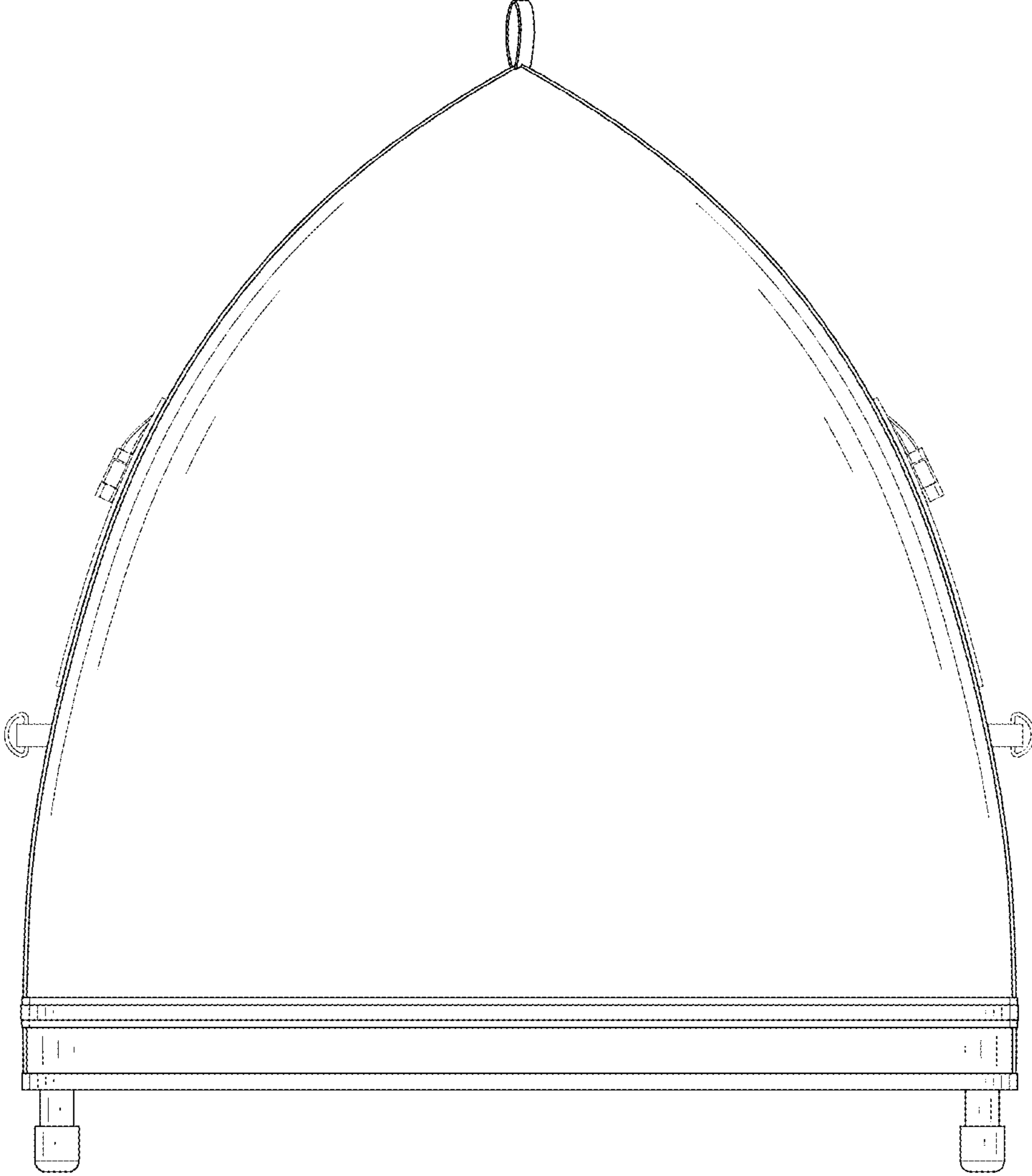


FIG. 6



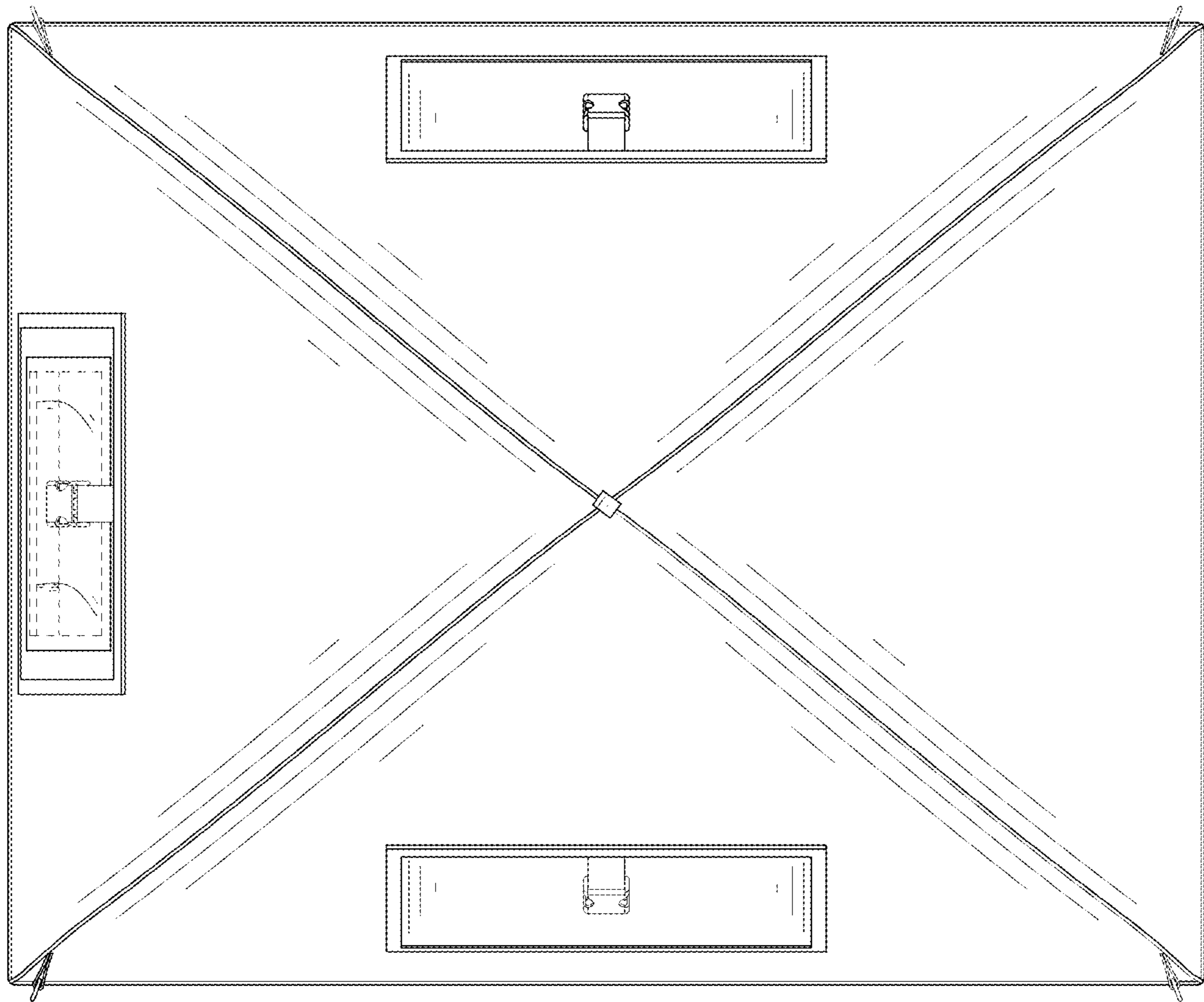


FIG. 7

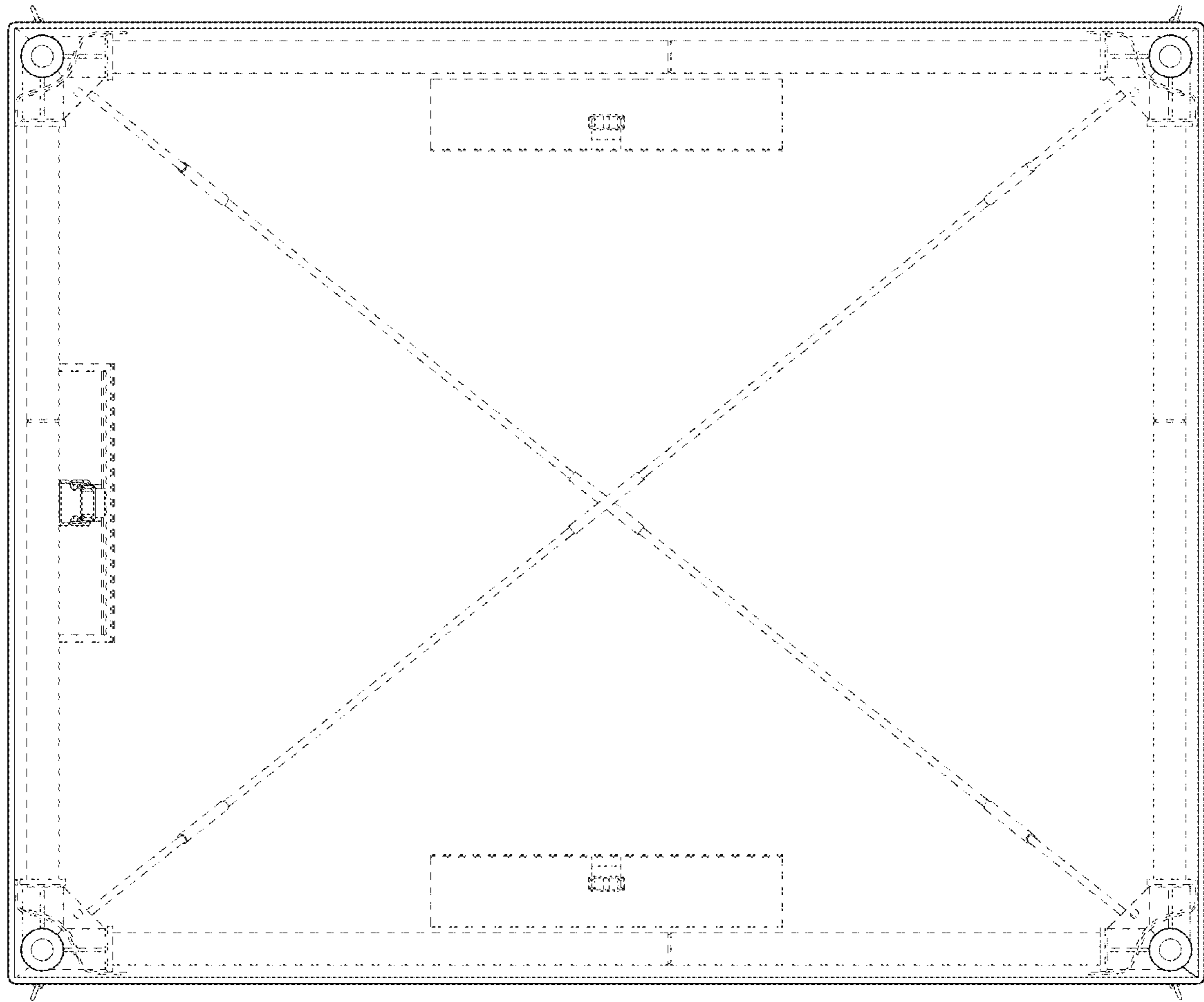


FIG. 8

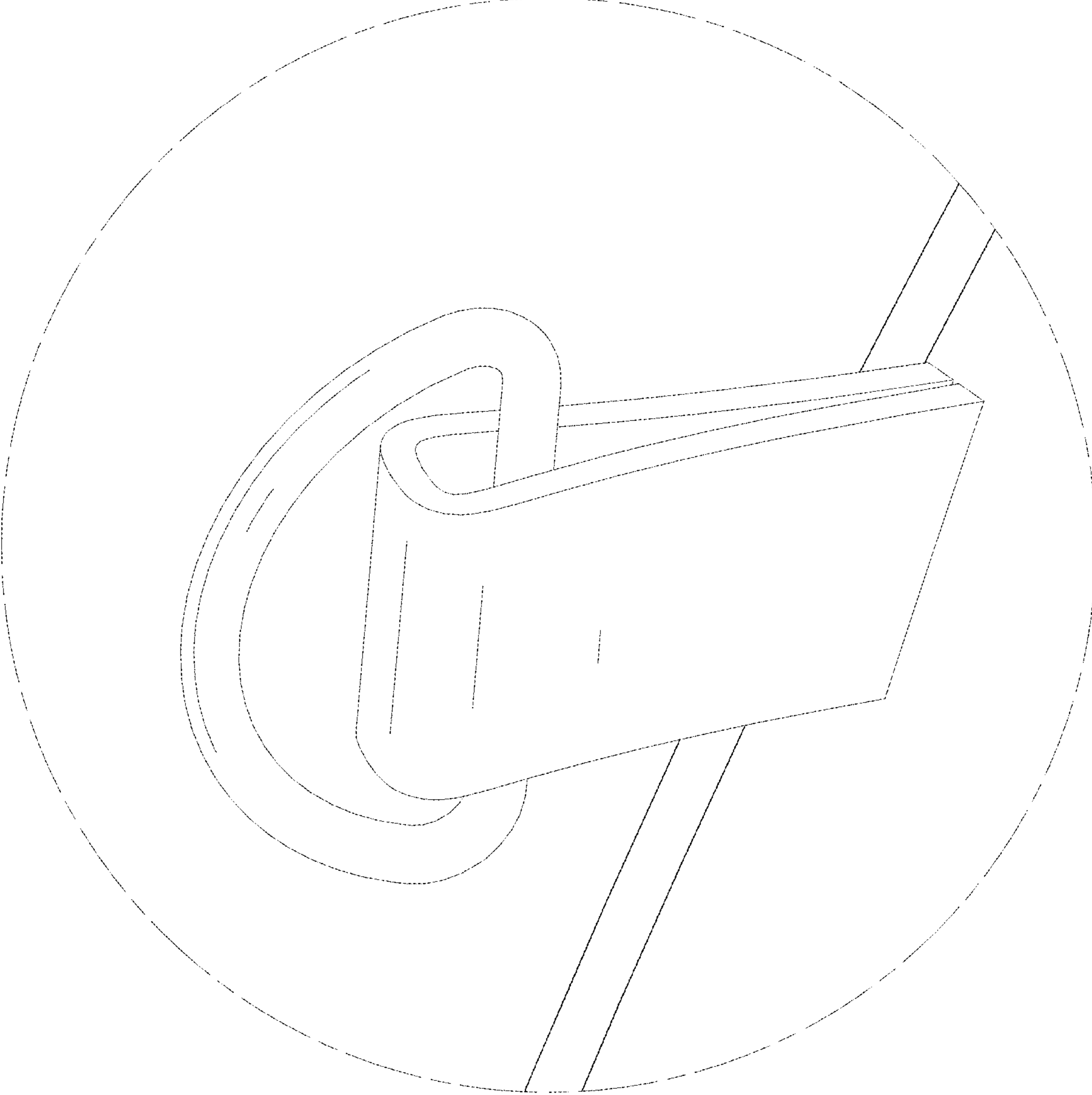


FIG. 9

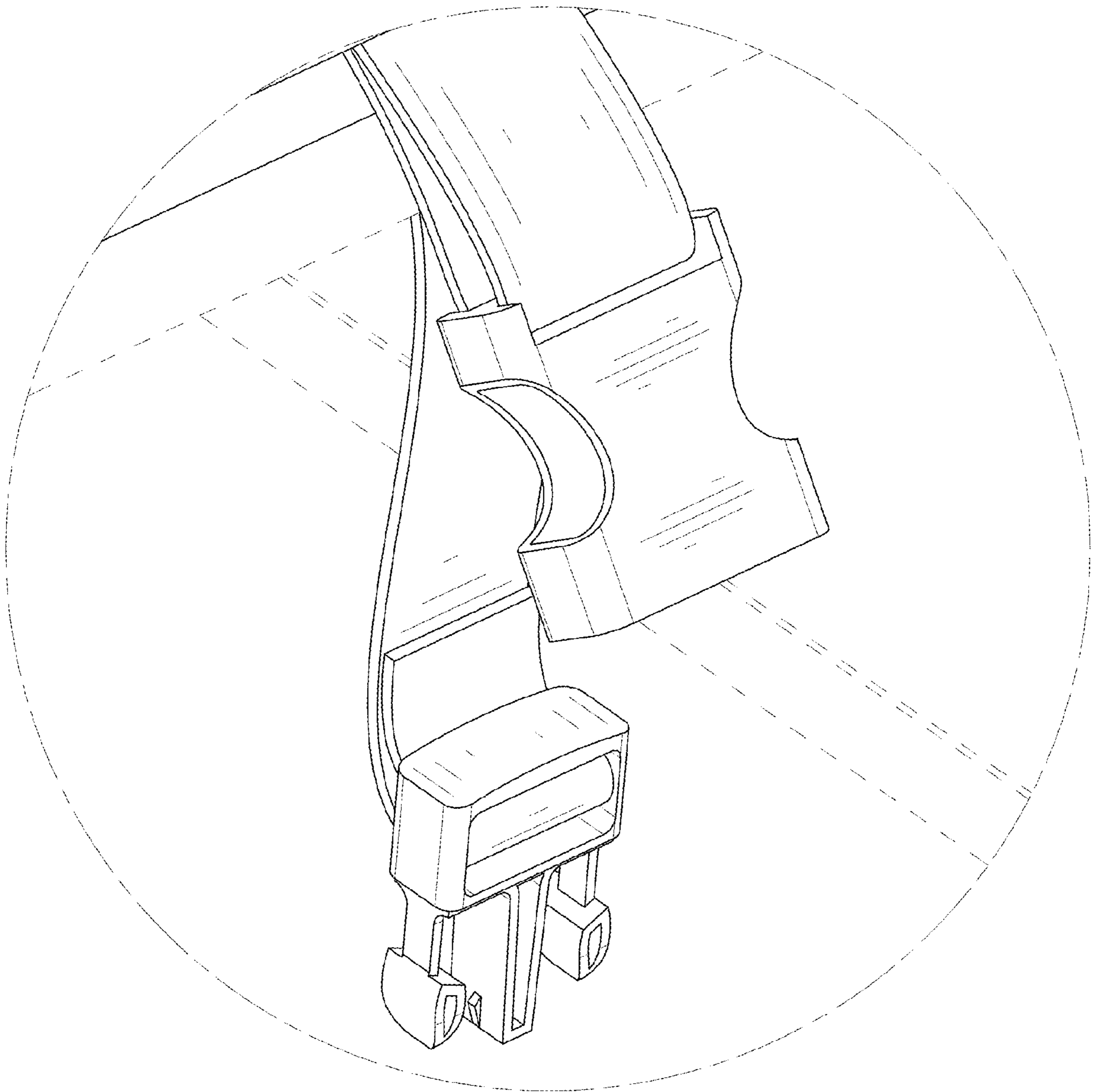


FIG. 10