



US00D981518S

(12) **United States Design Patent**
Schweigert et al.

(10) **Patent No.:** **US D981,518 S**
(45) **Date of Patent:** **** Mar. 21, 2023**

(54) **GOLF CLUB HEAD**

- (71) Applicant: **PARSONS XTREME GOLF, LLC**,
Scottsdale, AZ (US)
- (72) Inventors: **Bradley D. Schweigert**, Cave Creek,
AZ (US); **Michael R. Nicolette**,
Scottsdale, AZ (US); **Caleb S. Kroloff**,
Phoenix, AZ (US)
- (73) Assignee: **PARSONS XTREME GOLF, LLC**,
Scottsdale, AZ (US)
- (**) Term: **15 Years**
- (21) Appl. No.: **29/855,735**
- (22) Filed: **Oct. 6, 2022**

Related U.S. Application Data

- (63) Continuation-in-part of application No. 29/846,400,
filed on Jul. 15, 2022, and a continuation-in-part of
application No. 29/854,499, filed on Sep. 26, 2022,
which is a continuation-in-part of application No.
29/846,400, filed on Jul. 15, 2022.
- (51) **LOC (14) Cl.** **21-02**
- (52) **U.S. Cl.**
USPC **D21/759**
- (58) **Field of Classification Search**
USPC D21/733, 752, 759
CPC A63B 53/00; A63B 53/04; A63B 53/0466;
A63B 2053/0445; A63B 2053/0433;
A63B

(Continued)

(56) **References Cited**

U.S. PATENT DOCUMENTS

- 1,133,129 A 3/1915 Govan
- 1,269,745 A 6/1918 Robertson

(Continued)

OTHER PUBLICATIONS

Golf hybrids google search; google.com; Jan. 20, 2023.*

(Continued)

Primary Examiner — Mitchell I. Siegel

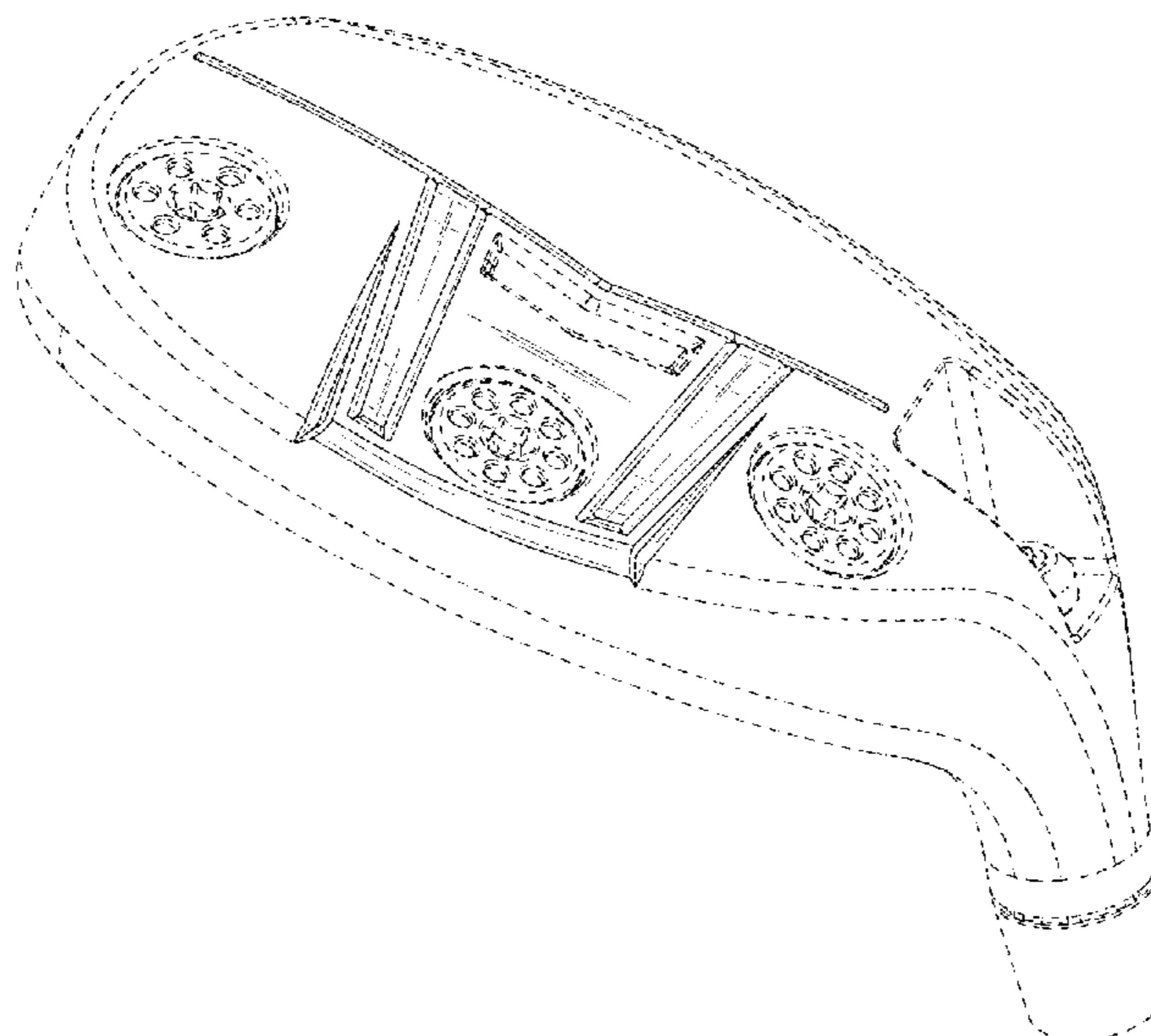
(57) **CLAIM**

The ornamental design for a golf club head, as shown and described.

DESCRIPTION

FIG. 1 is a top perspective view of a golf club head according to a first embodiment;
 FIG. 2 is a bottom perspective view of the golf club head of FIG. 1;
 FIG. 3 is a front elevational view of the golf club head of FIG. 1;
 FIG. 4 is a rear elevational view of the golf club head of FIG. 1;
 FIG. 5 is a top view of the golf club head of FIG. 1;
 FIG. 6 is a bottom view of the golf club head of FIG. 1;
 FIG. 7 is a left side view of the golf club head of FIG. 1;
 FIG. 8 is a right side view of the golf club head of FIG. 1;
 FIG. 9 is a top perspective view of a golf club head according to a second embodiment;
 FIG. 10 is a bottom perspective view of the golf club head of FIG. 9;
 FIG. 11 is a front elevational view of the golf club head of FIG. 9;
 FIG. 12 is a rear elevational view of the golf club head of FIG. 9;
 FIG. 13 is a top view of the golf club head of FIG. 9;
 FIG. 14 is a bottom view of the golf club head of FIG. 9;
 FIG. 15 is a left side view of the golf club head of FIG. 9;
 and,
 FIG. 16 is a right side view of the golf club head of FIG. 9.
 The broken lines shown on the drawings form no part of the claimed design.

1 Claim, 8 Drawing Sheets



(58) **Field of Classification Search**
 CPC 2053/0491; A63B 2053/0437; A63B 60/00;
 A63B 60/46
 See application file for complete search history.

(56) **References Cited**
 U.S. PATENT DOCUMENTS

1,306,029 A 6/1919 Robertson
 D55,867 S 7/1920 Matters
 1,509,429 A 9/1924 Hillerich
 1,534,600 A 4/1925 Mattern
 1,538,312 A 5/1925 Neish
 1,543,691 A 6/1925 Beat
 1,774,590 A 9/1930 Buhrke
 D84,525 S 6/1931 Klin
 D94,549 S 2/1935 Jansky
 D94,550 S 2/1935 Jansky
 D138,437 S 8/1944 Link
 D138,438 S 8/1944 Link
 D138,439 S 8/1944 Link
 D138,441 S 8/1944 Link
 D138,442 S 8/1944 Link
 D185,177 S 5/1959 Smith
 3,556,533 A 1/1971 Hollis
 3,652,094 A 3/1972 Glover
 D229,431 S 11/1973 Baker
 D234,609 S 3/1975 Raymont
 D234,610 S 3/1975 Raymont
 D240,748 S 7/1976 Bock et al.
 D241,956 S 10/1976 Timbrook
 4,085,934 A 4/1978 Churchward
 D253,778 S 12/1979 Madison
 4,332,388 A 6/1982 Crow
 D285,954 S 9/1986 Hasegawa
 4,824,116 A 4/1989 Nagamoto et al.
 D307,783 S 5/1990 Inuma
 D310,254 S 8/1990 Take et al.
 4,988,104 A 1/1991 Shiotani et al.
 D326,885 S 6/1992 Paul
 5,213,328 A 5/1993 Long et al.
 5,213,329 A 5/1993 Okumoto et al.
 D338,935 S 8/1993 Antonious
 D344,561 S 2/1994 Gorman
 D351,883 S 10/1994 Solheim et al.
 5,451,056 A 9/1995 Manning
 5,518,243 A 5/1996 Redman
 D371,816 S 7/1996 Yoshioka
 D378,111 S 2/1997 Parente et al.
 5,637,045 A 6/1997 Igarashi
 D384,120 S 9/1997 Cruz et al.
 5,788,584 A 8/1998 Parente et al.
 D400,625 S 11/1998 Kubica et al.
 D400,627 S 11/1998 Kubica et al.
 D402,340 S 12/1998 Sheets et al.
 D402,726 S * 12/1998 McCabe D21/753
 D405,489 S 2/1999 Kubica et al.
 D405,492 S 2/1999 Kubica et al.
 D442,244 S 5/2001 Olsavsky et al.
 D444,830 S 7/2001 Kubica et al.
 D448,824 S 10/2001 Koizumi et al.
 6,306,048 B1 10/2001 McCabe et al.
 D460,989 S 7/2002 Ehlers
 D469,141 S * 1/2003 Poynor D21/759
 D473,276 S 4/2003 Kenmi
 D473,604 S 4/2003 Antonious
 D478,140 S 8/2003 Burrows
 D481,087 S 10/2003 Antonious
 6,638,182 B2 10/2003 Kosmatka
 D491,992 S 6/2004 Baiocchi
 6,773,360 B2 8/2004 Willett et al.
 D499,158 S 11/2004 Imamoto
 D502,520 S 3/2005 Dogan et al.
 D505,701 S 5/2005 Dogan et al.
 D507,615 S 7/2005 Imamoto
 D508,969 S 8/2005 Hasebe
 6,939,247 B1 9/2005 Schweigert et al.

D513,051 S 12/2005 Barez et al.
 D514,179 S 1/2006 Chen et al.
 D514,185 S 1/2006 Barez et al.
 D515,157 S 2/2006 Madore
 D515,642 S 2/2006 Antonious
 D518,129 S * 3/2006 Poynor D21/759
 D520,585 S 5/2006 Hasebe
 D520,586 S 5/2006 Bingman
 D521,093 S * 5/2006 Jorgensen D21/759
 D522,077 S 5/2006 Schweigert et al.
 D522,601 S 6/2006 Schweigert et al.
 D523,103 S 6/2006 Hocknell et al.
 D523,104 S 6/2006 Hasebe
 D523,498 S 6/2006 Chen et al.
 D523,502 S * 6/2006 Jorgensen D21/752
 D524,392 S 7/2006 Madore et al.
 D524,396 S 7/2006 Madore et al.
 D524,397 S 7/2006 Madore et al.
 D526,372 S 8/2006 Kohno
 D526,694 S 8/2006 Schweigert et al.
 D532,471 S 11/2006 Oldknow
 D532,854 S 11/2006 Oldknow
 D533,611 S 12/2006 Mahaffey et al.
 D534,229 S * 12/2006 Barez D21/752
 D534,599 S 1/2007 Barez et al.
 7,166,040 B2 1/2007 Hoffman et al.
 D536,401 S 2/2007 Kawami
 D536,402 S 2/2007 Kawami
 D536,403 S 2/2007 Kawami
 D537,495 S 2/2007 Schweigert et al.
 D538,363 S 3/2007 Schweigert et al.
 D538,371 S 3/2007 Kawami
 7,186,190 B1 3/2007 Beach et al.
 D541,364 S * 4/2007 Barez D21/759
 7,223,180 B2 5/2007 Willett et al.
 D544,561 S 6/2007 Oldknow
 D550,318 S 9/2007 Oldknow
 D550,800 S 9/2007 Ruggiero et al.
 D552,198 S 10/2007 Schweigert et al.
 D554,719 S * 11/2007 Barez D21/752
 D554,720 S * 11/2007 Barez D21/752
 D556,280 S 11/2007 Madore
 D557,363 S 12/2007 Jertson et al.
 D558,287 S 12/2007 Jertson et al.
 D558,288 S 12/2007 Jertson et al.
 D560,262 S 1/2008 Nguyen et al.
 D561,284 S 2/2008 Nagai et al.
 D561,856 S * 2/2008 Barez D21/752
 D562,421 S 2/2008 Jertson et al.
 D563,498 S 3/2008 Jertson et al.
 D564,054 S 3/2008 Jertson et al.
 D564,055 S 3/2008 Jertson et al.
 D567,317 S 4/2008 Jertson et al.
 D569,933 S 5/2008 Jertson et al.
 D569,934 S 5/2008 Jertson et al.
 D569,935 S 5/2008 Schweigert et al.
 D569,936 S 5/2008 Schweigert et al.
 D569,942 S 5/2008 Jertson et al.
 D570,937 S 6/2008 Schweigert et al.
 D570,938 S 6/2008 Jertson et al.
 7,407,447 B2 8/2008 Beach et al.
 7,410,425 B2 8/2008 Willett et al.
 7,410,426 B2 8/2008 Willett et al.
 7,419,441 B2 9/2008 Hoffman et al.
 D579,507 S 10/2008 Llewellyn et al.
 7,448,963 B2 11/2008 Beach et al.
 7,448,964 B2 11/2008 Schweigert et al.
 D584,782 S 1/2009 Barez et al.
 D584,783 S 1/2009 Barez et al.
 D584,784 S 1/2009 Barez et al.
 7,530,904 B2 5/2009 Beach et al.
 D594,520 S 6/2009 Schweigert et al.
 D594,521 S 6/2009 Jertson et al.
 D594,919 S 6/2009 Schweigert et al.
 7,540,811 B2 6/2009 Beach et al.
 D597,620 S 8/2009 Taylor et al.
 7,568,985 B2 8/2009 Beach et al.
 7,578,753 B2 8/2009 Beach et al.
 D600,297 S 9/2009 Jertson et al.

(56)

References Cited

U.S. PATENT DOCUMENTS

7,591,738 B2	9/2009	Beach et al.	D795,978 S	8/2017	Parsons et al.
D603,472 S	11/2009	Schweigert et al.	D802,069 S	11/2017	Parsons et al.
7,611,424 B2	11/2009	Nagai et al.	D802,070 S	11/2017	Parsons et al.
7,621,823 B2	11/2009	Beach et al.	D807,976 S	1/2018	Parsons et al.
D605,715 S	12/2009	Barez et al.	D811,503 S	2/2018	Bacon et al.
7,658,686 B2	2/2010	Soracco	D812,703 S	3/2018	Tang
7,713,142 B2	5/2010	Hoffman et al.	D813,327 S	3/2018	Kim
7,717,804 B2	5/2010	Beach et al.	D813,329 S	3/2018	Tang et al.
7,717,805 B2	5/2010	Beach et al.	D814,582 S	4/2018	Bacon et al.
D618,746 S	6/2010	Jertson et al.	D814,583 S	4/2018	Stokke et al.
D618,747 S	6/2010	Schweigert et al.	D814,584 S	4/2018	Tang et al.
D618,748 S	6/2010	Oldknow	D815,223 S	4/2018	Stokke et al.
D618,751 S	6/2010	Breier et al.	D821,514 S	6/2018	Sillies
D618,753 S	6/2010	Jertson et al.	D822,134 S	7/2018	Parsons et al.
D618,754 S	6/2010	Schweigert et al.	D823,410 S	7/2018	Parsons et al.
7,744,484 B1	6/2010	Chao	D823,958 S *	7/2018	Stokke D21/752
D619,182 S	7/2010	Foster et al.	D825,013 S	8/2018	Milleman et al.
7,798,203 B2	9/2010	Schweigert et al.	D827,067 S	8/2018	Becktor et al.
D631,111 S	1/2011	Bennett et al.	D827,745 S	9/2018	Schweigert et al.
D635,626 S	4/2011	Nicolette	D839,372 S	1/2019	Schweigert et al.
7,927,229 B2	4/2011	Jertson et al.	D850,551 S	6/2019	Parsons et al.
D638,893 S	5/2011	Schweigert et al.	D852,303 S	6/2019	Parsons et al.
D638,896 S	5/2011	Schweigert et al.	D852,304 S	6/2019	Parsons et al.
7,963,861 B2	6/2011	Beach et al.	D852,305 S	6/2019	Parsons et al.
8,012,038 B1	9/2011	Beach et al.	10,376,754 B2	8/2019	Parsons et al.
D647,585 S	10/2011	Jertson et al.	D861,811 S *	10/2019	Jertson D21/752
D652,464 S	1/2012	Bertone et al.	D865,886 S	11/2019	Parsons et al.
D656,211 S	3/2012	Foster	10,556,161 B2	2/2020	Jertson et al.
D661,751 S	6/2012	Nicolette et al.	10,695,624 B2	6/2020	Parsons et al.
D661,756 S	6/2012	Nicolette et al.	10,722,765 B2	7/2020	Schweigert et al.
8,257,196 B1	9/2012	Abbott et al.	D897,462 S	9/2020	Parsons et al.
8,262,506 B2	9/2012	Watson et al.	D897,463 S	9/2020	Parsons et al.
D673,630 S	1/2013	Schweigert	D897,464 S	9/2020	Parsons et al.
D673,632 S	1/2013	Schweigert et al.	D909,511 S	2/2021	Cyrulik et al.
8,371,957 B2	2/2013	Schweigert et al.	D909,517 S	2/2021	Cyrulik
D680,179 S	4/2013	Solheim et al.	D914,817 S	3/2021	Parsons et al.
8,414,422 B2	4/2013	Peralta et al.	D914,820 S	3/2021	Parsons et al.
8,485,919 B2	7/2013	Rice et al.	D920,454 S *	5/2021	Chun D21/752
D689,156 S	9/2013	Stokke et al.	D920,455 S *	5/2021	Chun D21/752
D691,230 S	10/2013	Chen et al.	D920,456 S *	5/2021	Song D21/752
8,608,587 B2	12/2013	Henrikson et al.	D921,786 S	6/2021	Parsons et al.
8,628,431 B2	1/2014	Schweigert et al.	D921,787 S	6/2021	Parsons et al.
8,663,026 B2	3/2014	Blowers et al.	D923,732 S	6/2021	Parsons et al.
8,777,778 B2	7/2014	Solheim et al.	D925,674 S *	7/2021	Song D21/752
8,784,232 B2	7/2014	Jertson et al.	D926,901 S *	8/2021	Parsons D21/752
8,790,196 B2	7/2014	Solheim et al.	D930,098 S *	9/2021	Kitching, Jr. D21/752
D712,989 S	9/2014	Gillig	D930,100 S	9/2021	Parsons et al.
D714,894 S	10/2014	Tang et al.	D930,773 S	9/2021	Parsons et al.
8,858,362 B1	10/2014	Leposky et al.	D930,774 S	9/2021	Nicolette et al.
D724,164 S	3/2015	Schweigert et al.	D930,775 S	9/2021	Nicolette et al.
8,979,671 B1	3/2015	Demille et al.	D931,391 S *	9/2021	Chun D21/752
D726,848 S	4/2015	Song	D931,392 S *	9/2021	Kitching, Jr. D21/752
D726,854 S	4/2015	Song	D931,394 S *	9/2021	Kitching, Jr. D21/752
D729,892 S	5/2015	Nicolette et al.	D933,148 S *	10/2021	Nicolette D21/752
D733,234 S	6/2015	Nicolette	D933,149 S *	10/2021	Kroloff D21/752
D737,388 S	8/2015	Tang et al.	D933,150 S *	10/2021	Kroloff D21/752
9,199,140 B1	12/2015	Schweigert et al.	D933,151 S *	10/2021	Kroloff D21/752
D746,927 S	1/2016	Parsons et al.	D938,535 S *	12/2021	Parsons D21/752
D753,251 S	4/2016	Schweigert et al.	D940,801 S	1/2022	Parsons et al.
D755,319 S	5/2016	Nicolette et al.	D940,802 S	1/2022	Parsons et al.
9,352,197 B2	5/2016	Parsons et al.	D941,412 S	1/2022	Parsons et al.
D759,178 S	6/2016	Nicolette	D941,946 S *	1/2022	Parsons D21/752
D760,334 S	6/2016	Schweigert et al.	D944,909 S *	3/2022	Chun D21/759
9,399,158 B2	7/2016	Parsons et al.	D949,271 S *	4/2022	Parsons D21/752
D764,614 S	8/2016	Parsons et al.	D949,272 S *	4/2022	Parsons D21/752
D765,808 S	9/2016	Cardani et al.	D952,084 S *	5/2022	Parsons D21/752
D766,391 S	9/2016	Cardani et al.	D952,085 S	5/2022	Parsons et al.
D767,696 S	9/2016	Parsons et al.	D952,086 S *	5/2022	Parsons D21/752
D771,209 S *	11/2016	Chen D21/752	D954,877 S	6/2022	Parsons et al.
D776,216 S	1/2017	Schweigert et al.	D954,878 S	6/2022	Parsons et al.
D777,858 S	1/2017	Schweigert et al.	D954,879 S	6/2022	Parsons et al.
9,555,295 B2	1/2017	Schweigert et al.	D956,898 S	7/2022	Kroloff
9,630,070 B2	4/2017	Parsons et al.	D956,899 S	7/2022	Kroloff
D786,377 S	5/2017	Parsons et al.	D956,900 S	7/2022	Kroloff
D791,257 S	7/2017	Oldknow et al.	D962,373 S	8/2022	Parsons et al.
			D973,164 S *	12/2022	Parsons D21/752
			D973,166 S *	12/2022	Parsons D21/759
			D973,808 S *	12/2022	Parsons D21/752
			D973,813 S *	12/2022	Parsons D21/759

(56)

References Cited

U.S. PATENT DOCUMENTS

2006/0105856 A1 5/2006 Lo
2006/0111200 A1 5/2006 Poynor
2007/0225084 A1 9/2007 Schweigert et al.
2007/0293344 A1 12/2007 Davis
2008/0188322 A1 8/2008 Anderson et al.
2009/0029795 A1 1/2009 Schweigert et al.
2010/0144461 A1 6/2010 Ban
2011/0143858 A1 6/2011 Peralta et al.
2012/0202615 A1 8/2012 Beach et al.
2013/0303304 A1 11/2013 Sato
2014/0113739 A1 4/2014 Jertson et al.
2019/0314690 A1 10/2019 Schweigert et al.
2020/0215397 A1 7/2020 Parsons et al.
2020/0230471 A1 7/2020 Parsons et al.
2021/0197039 A1 7/2021 Parsons et al.

OTHER PUBLICATIONS

Golf fairway woods google search; google.com; Jan. 20, 2023.*
Golf woods google search; google.com; Jan. 20, 2023.*
pxg.com (9 pages); Jan. 20, 2023.*

* cited by examiner

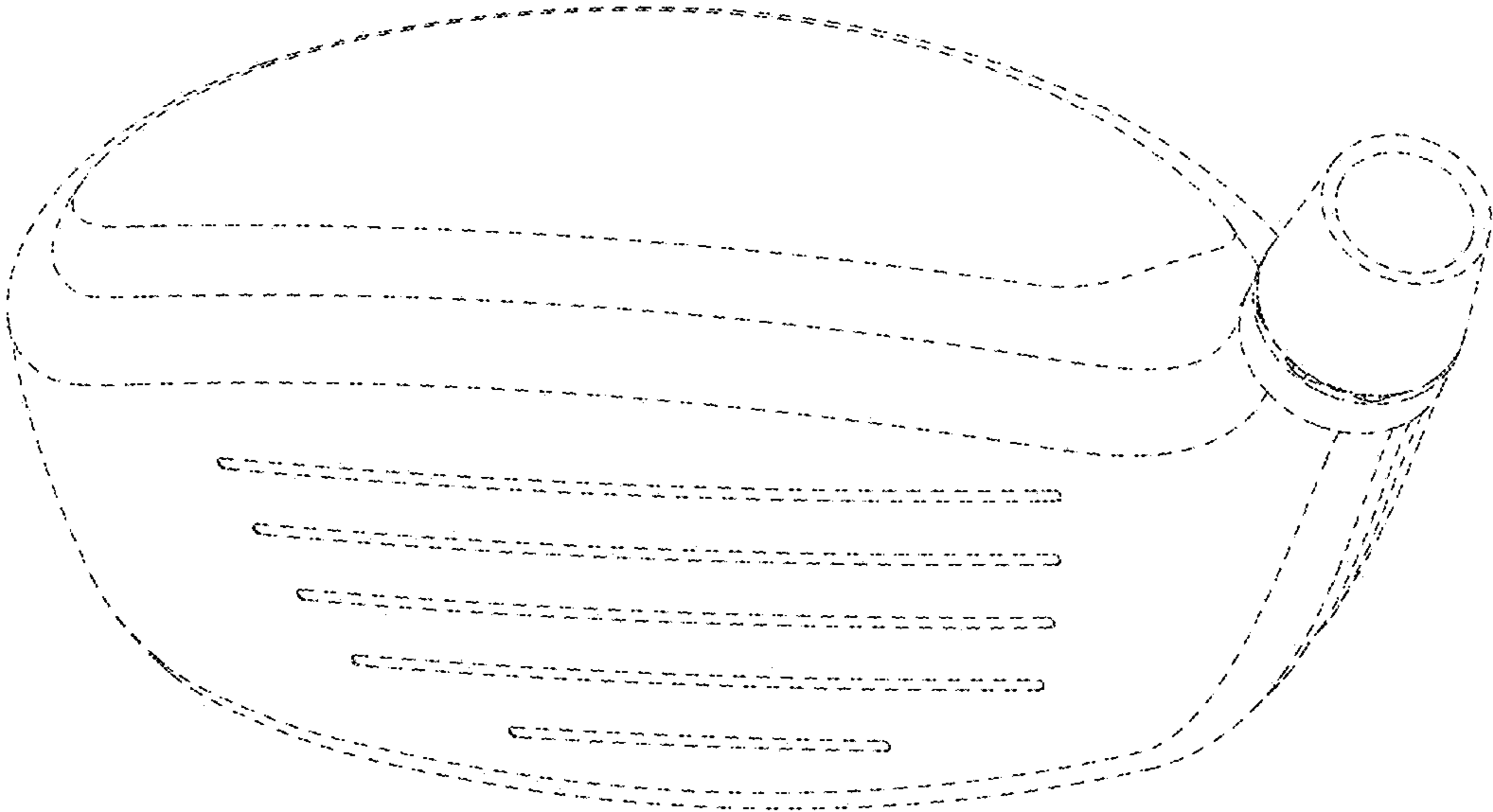


FIG. 1

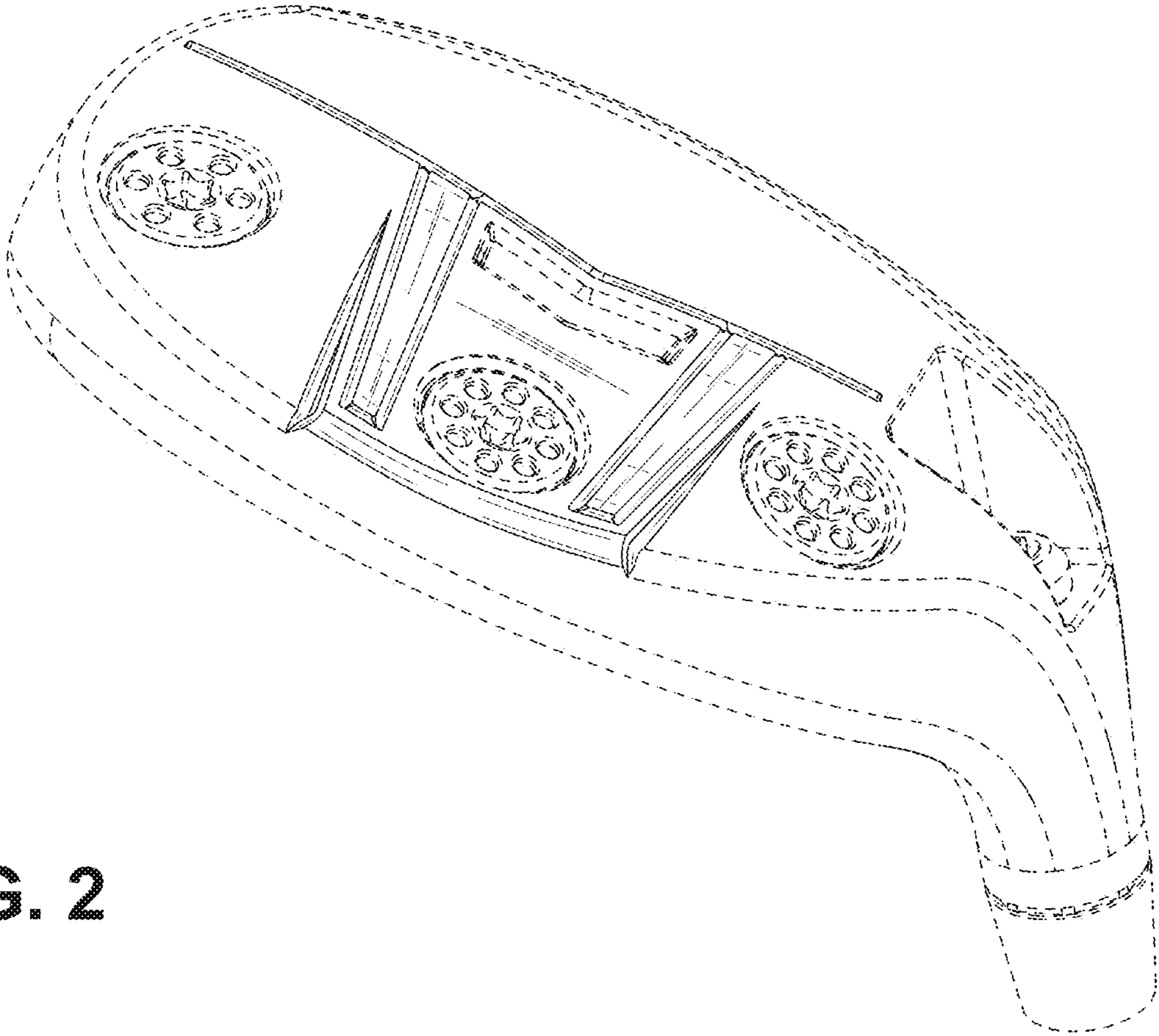


FIG. 2

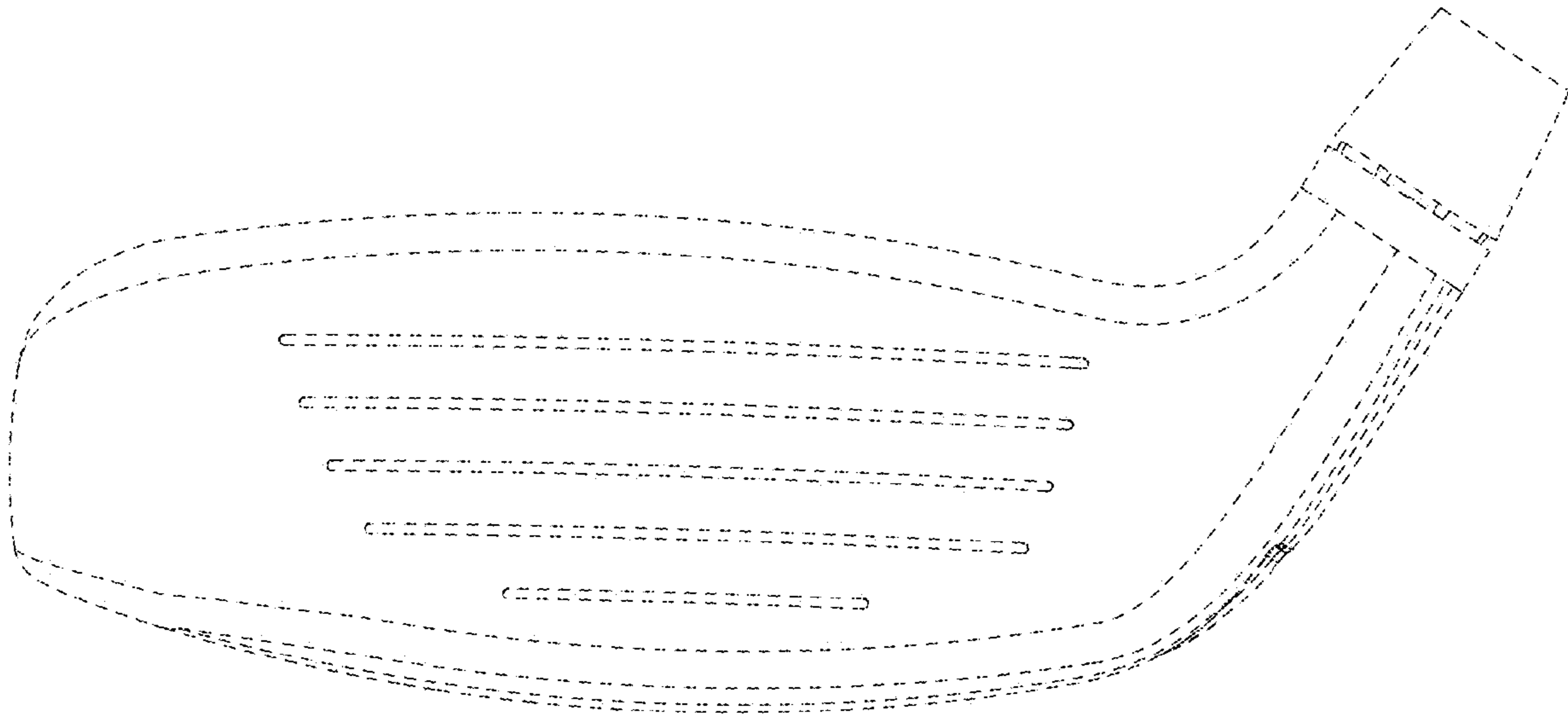


FIG. 3

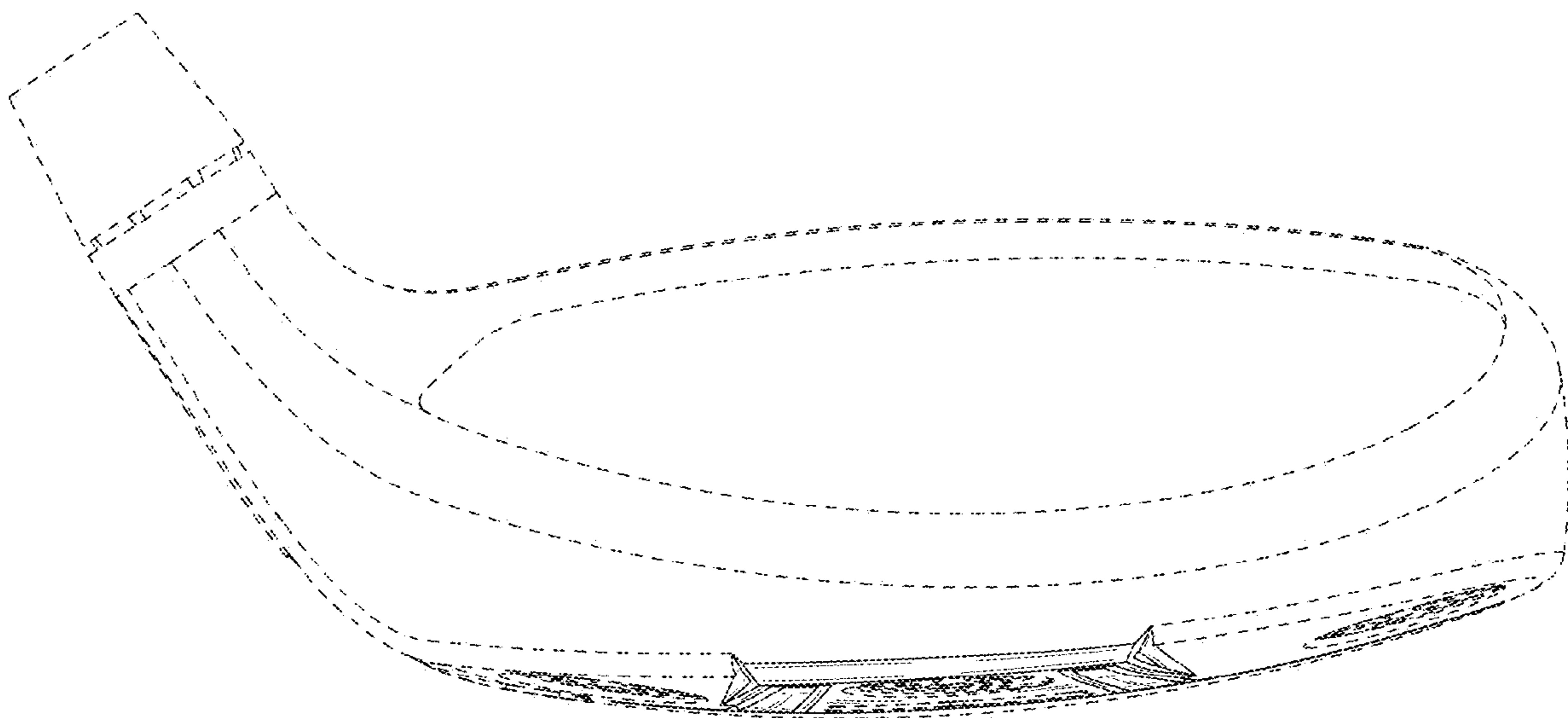


FIG. 4

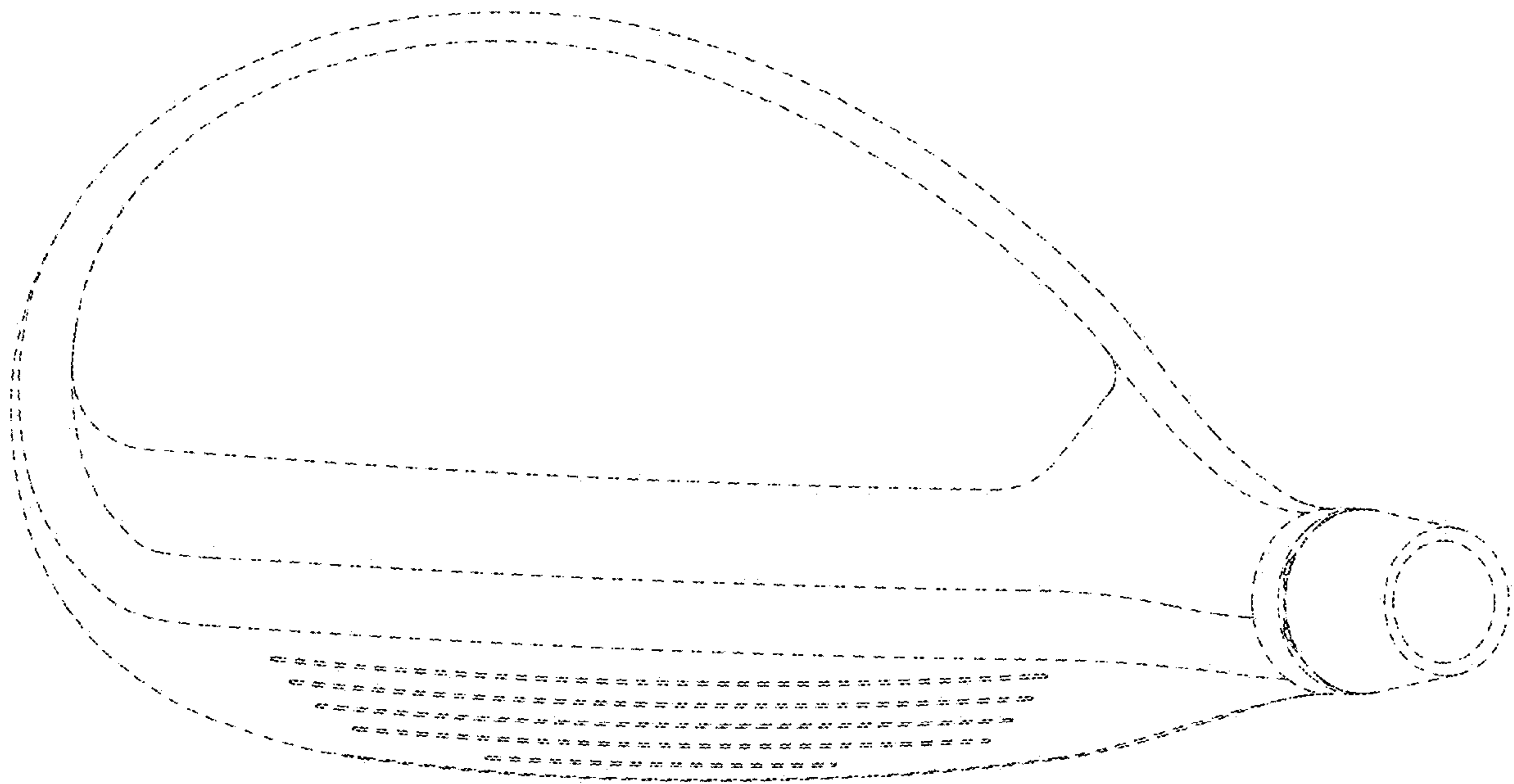


FIG. 5

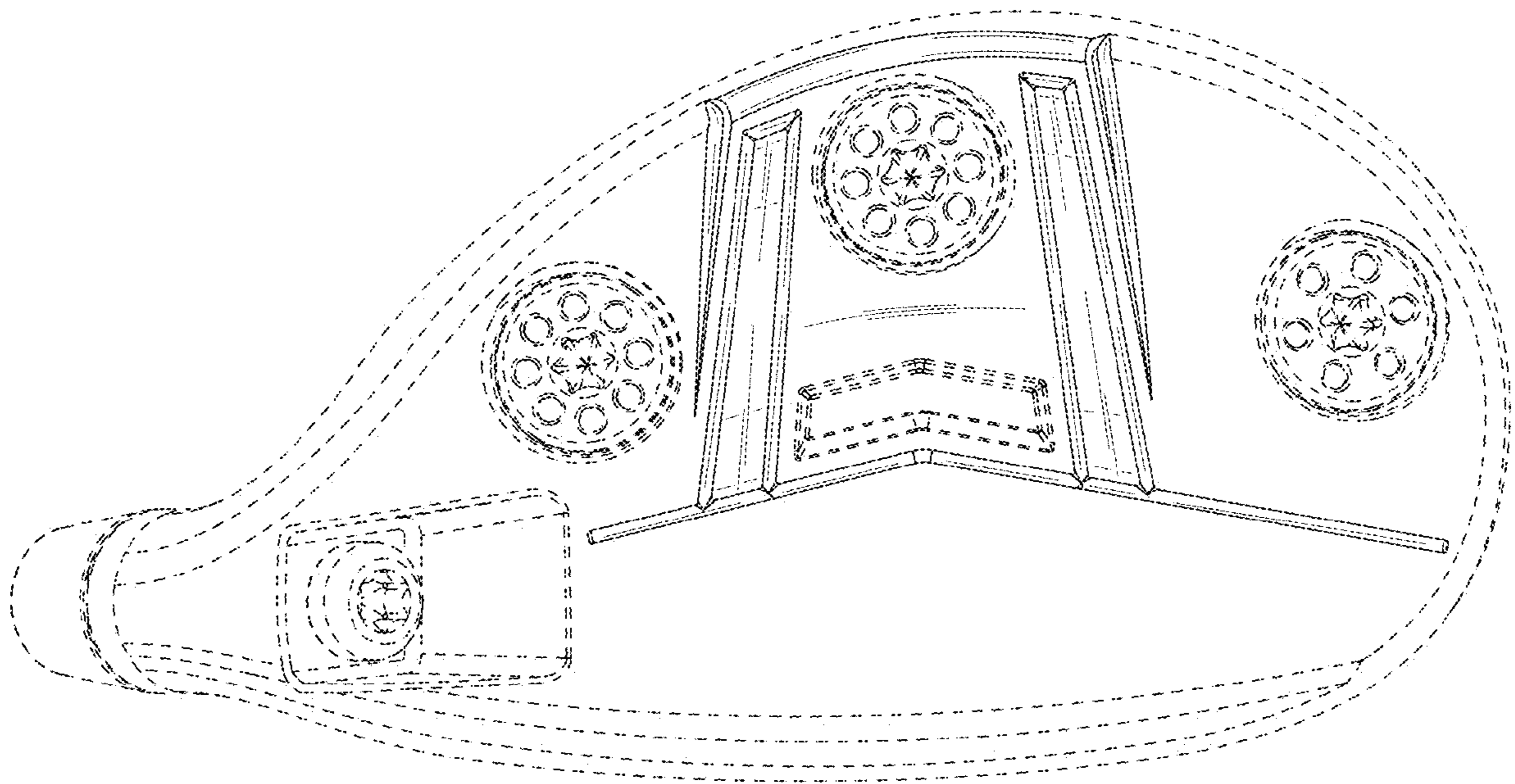


FIG. 6

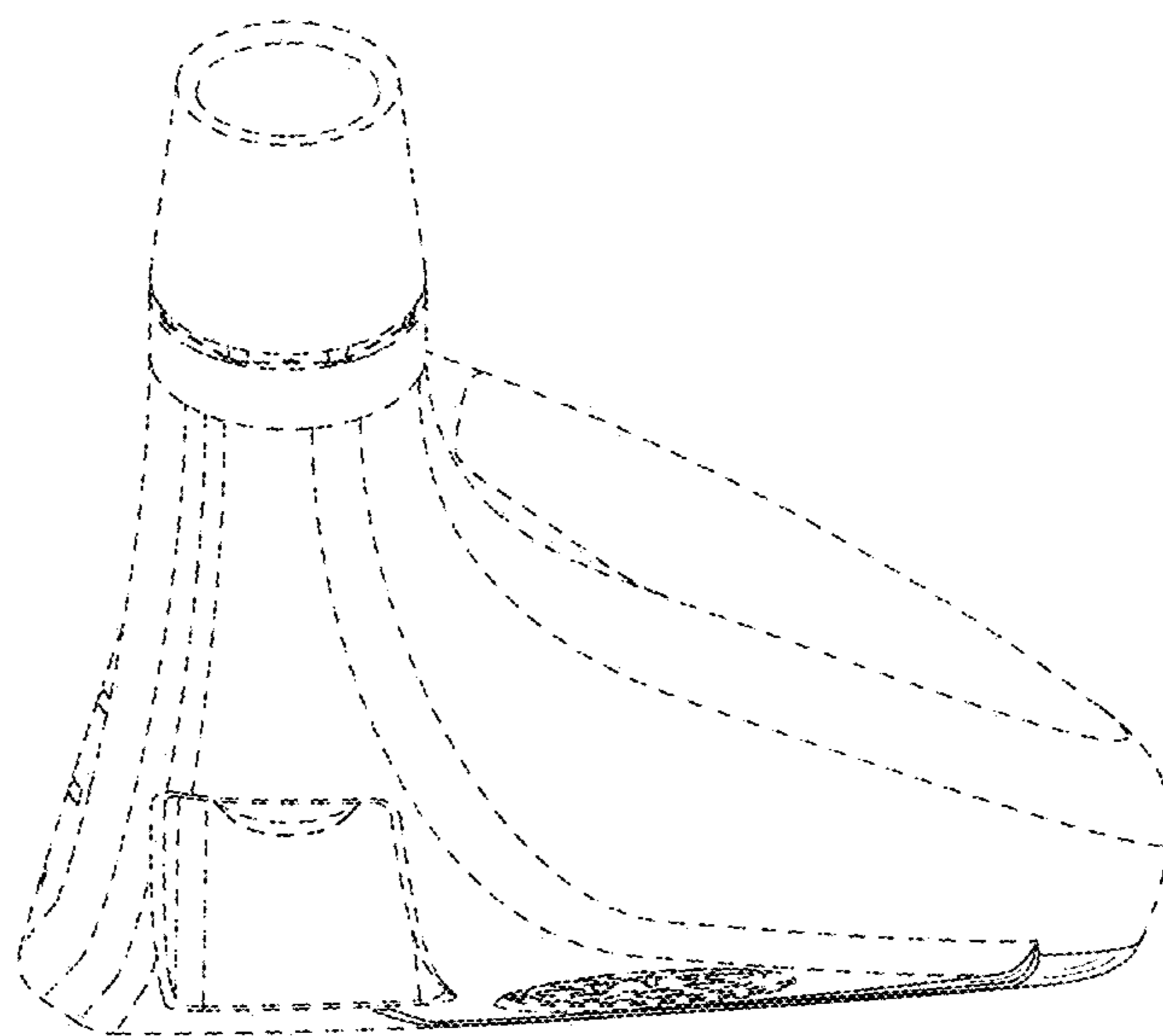


FIG. 7

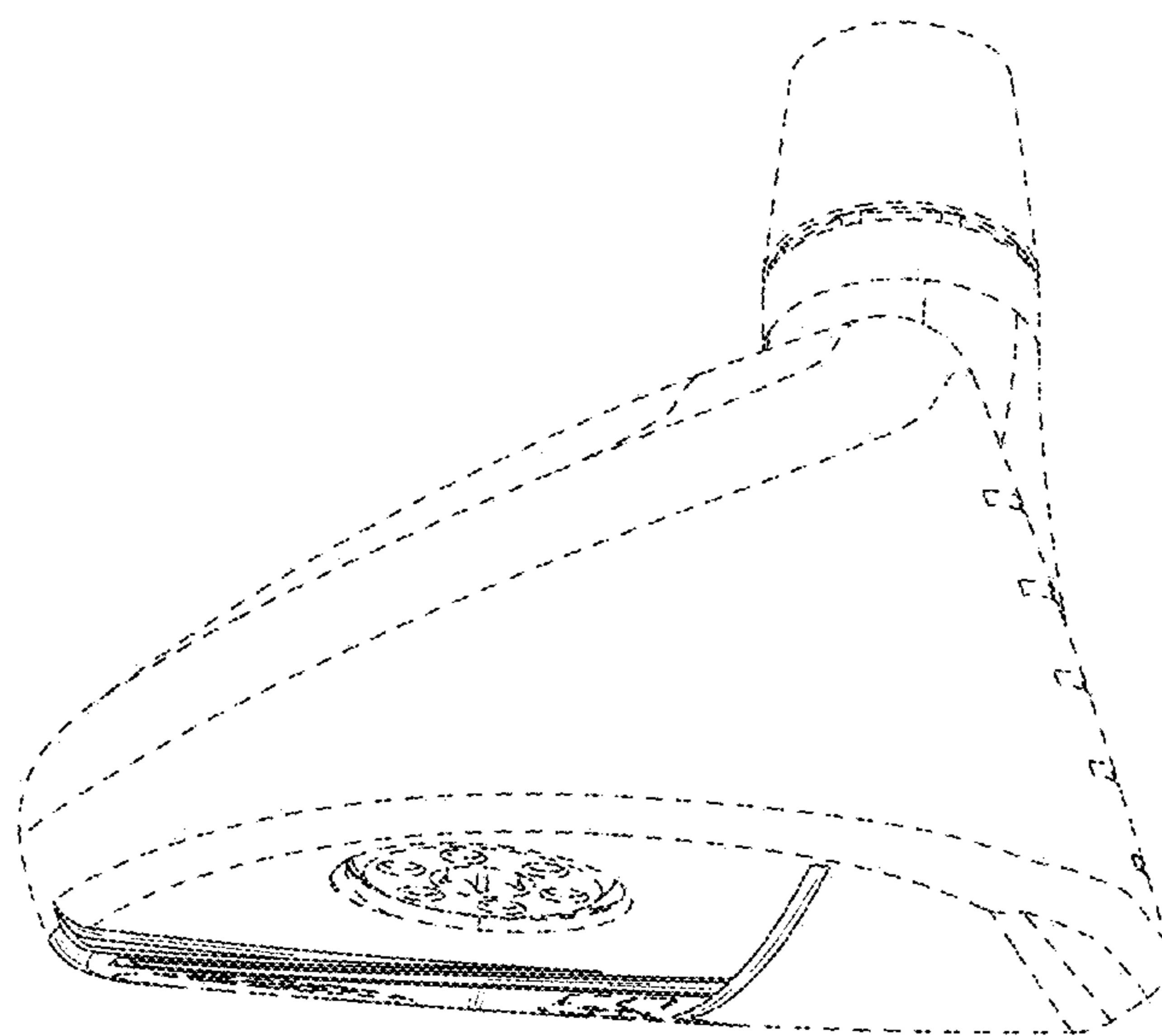


FIG. 8

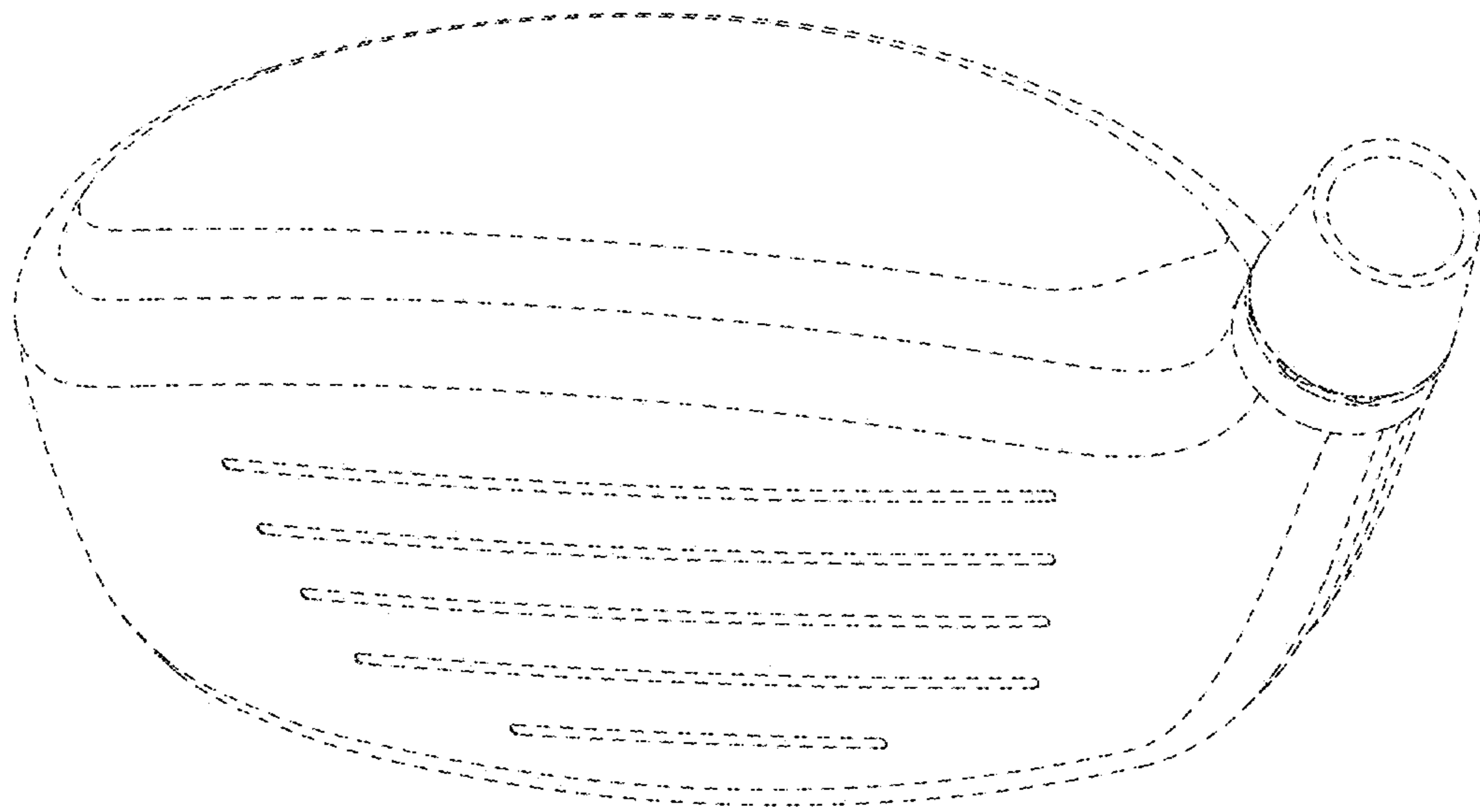


FIG. 9

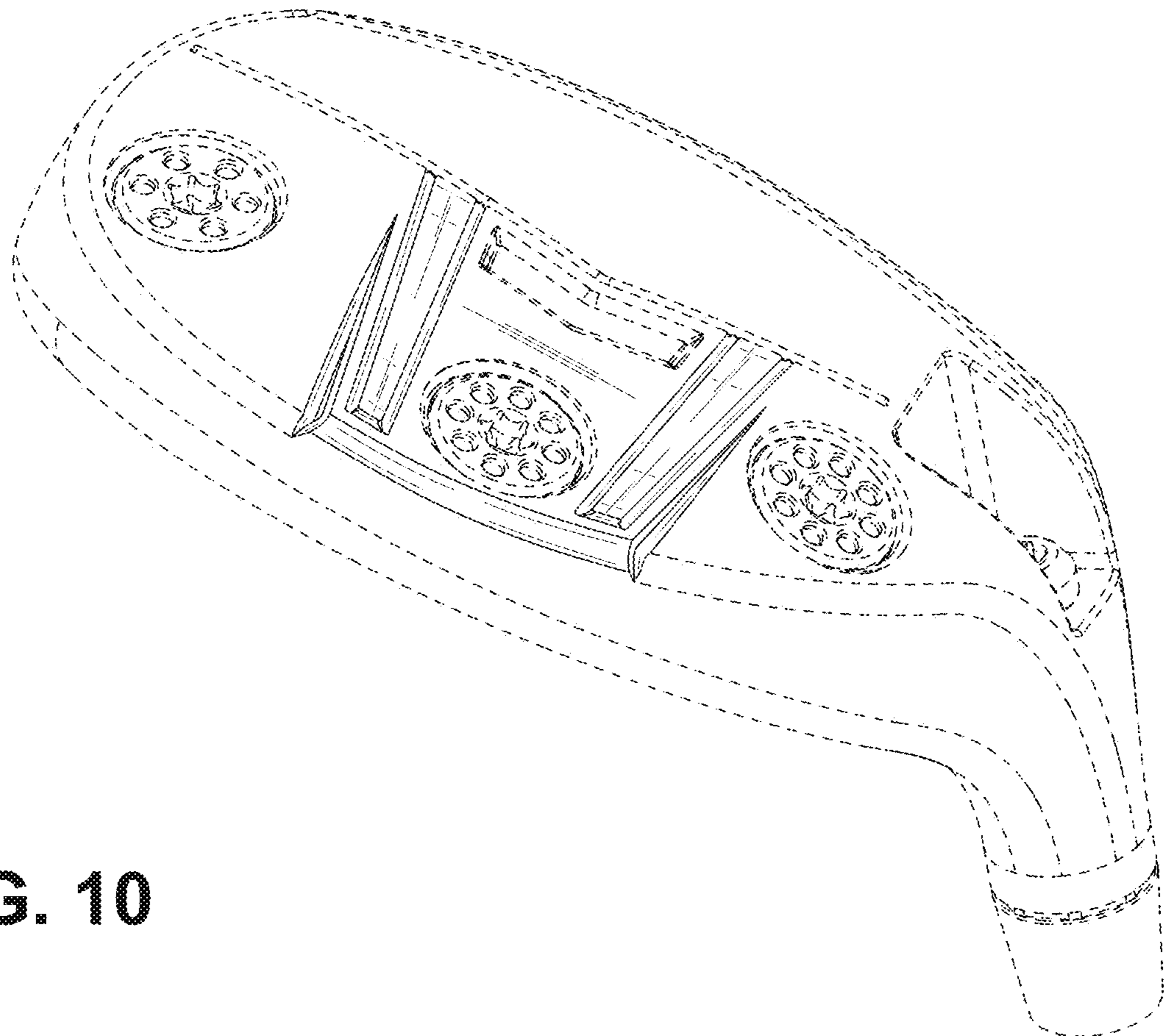


FIG. 10

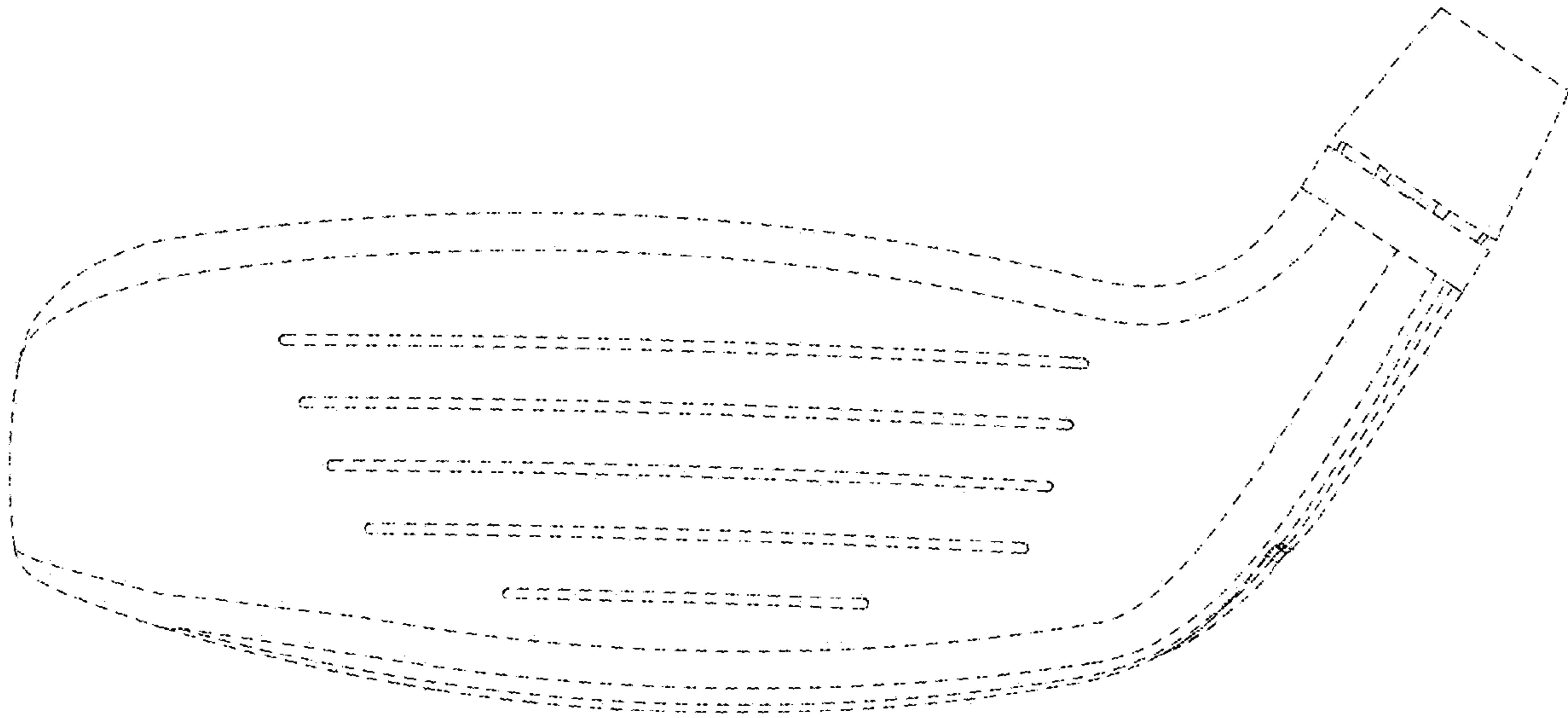


FIG. 11

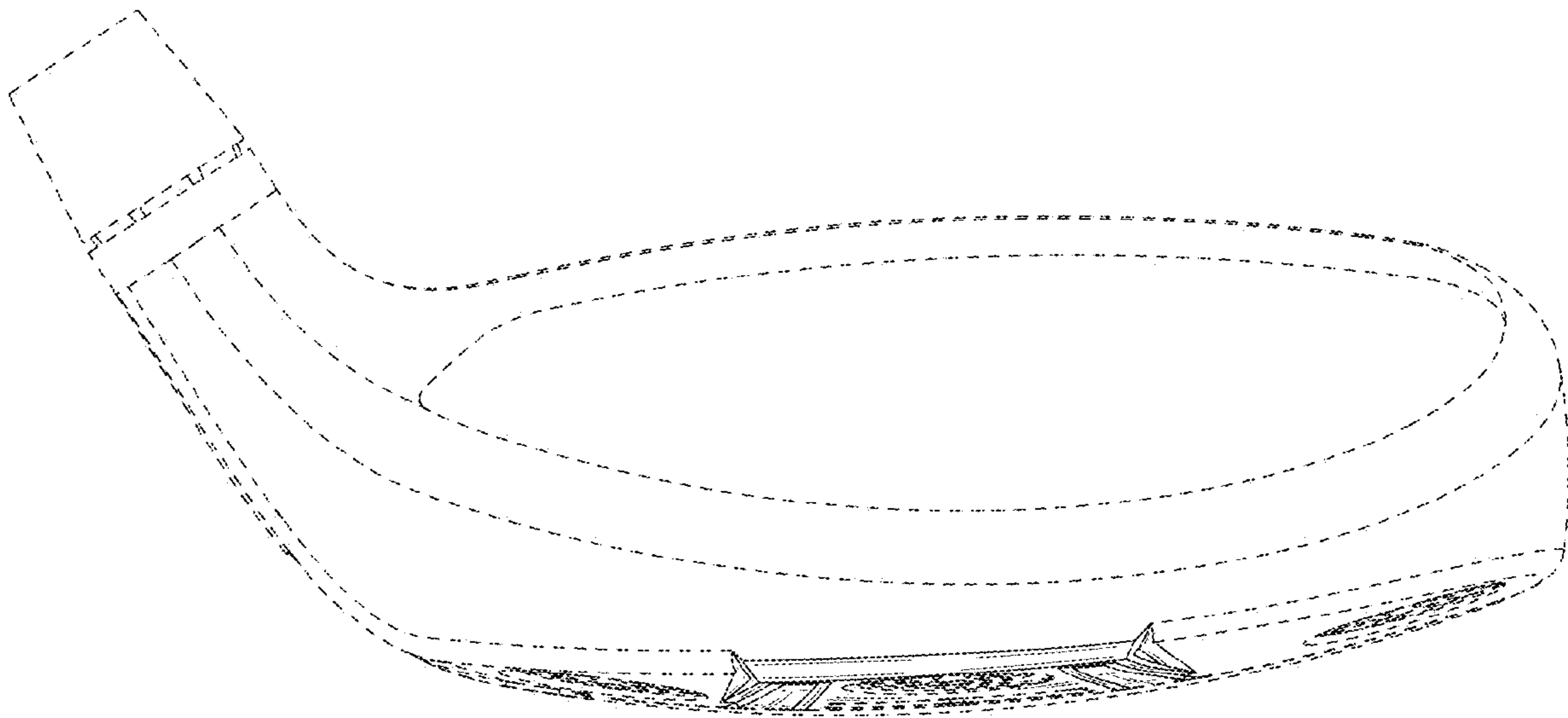


FIG. 12

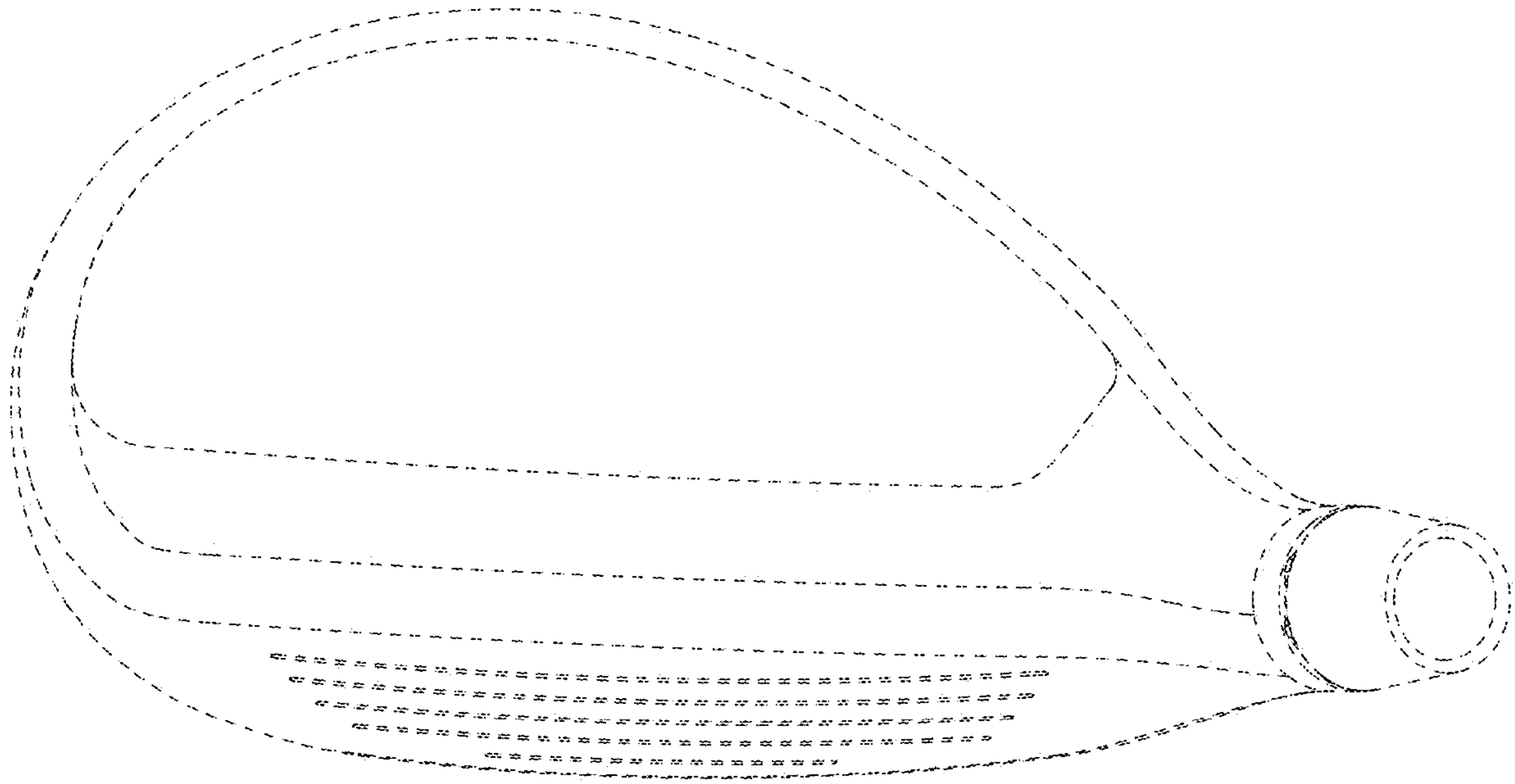


FIG. 13

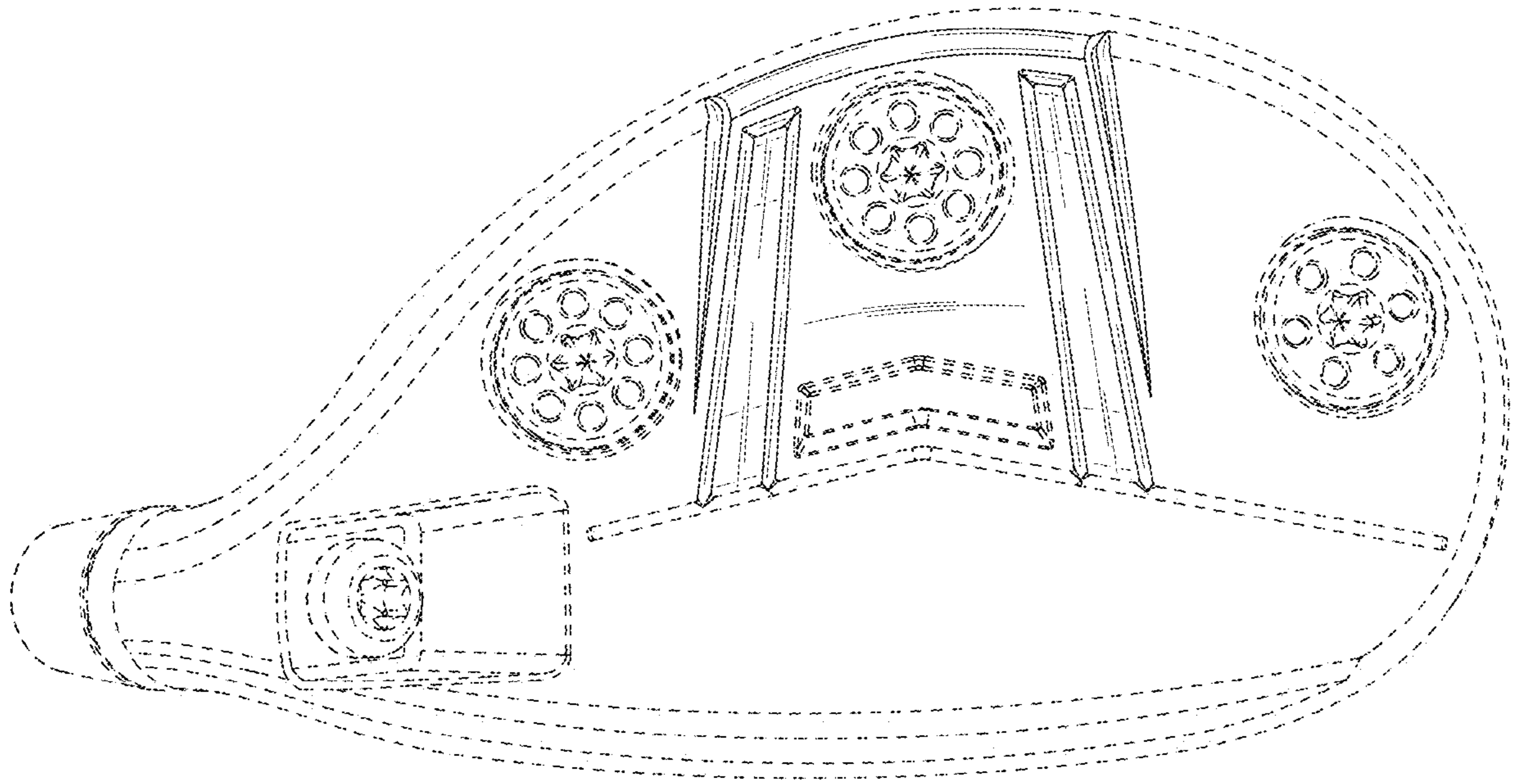


FIG. 14

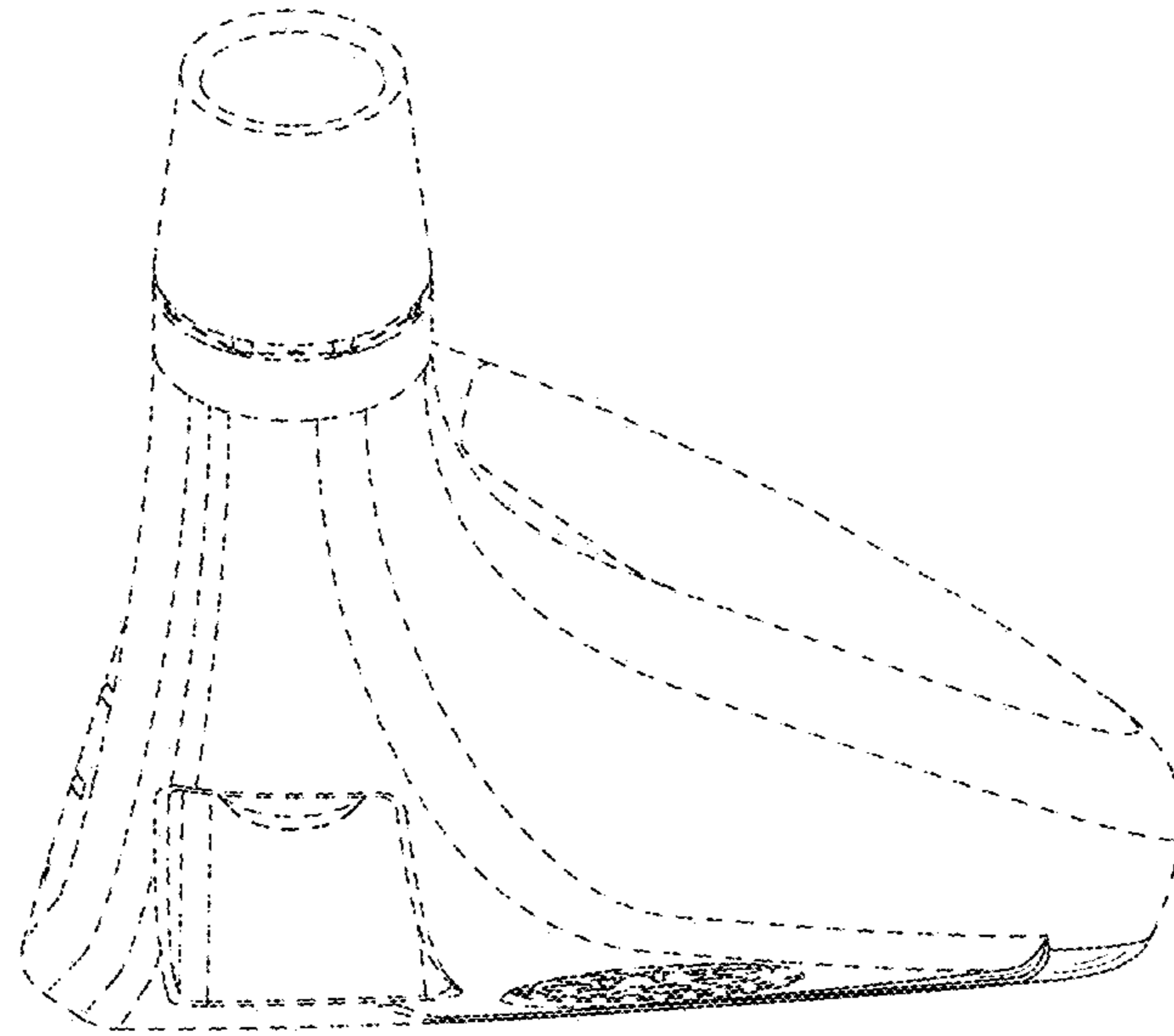


FIG. 15

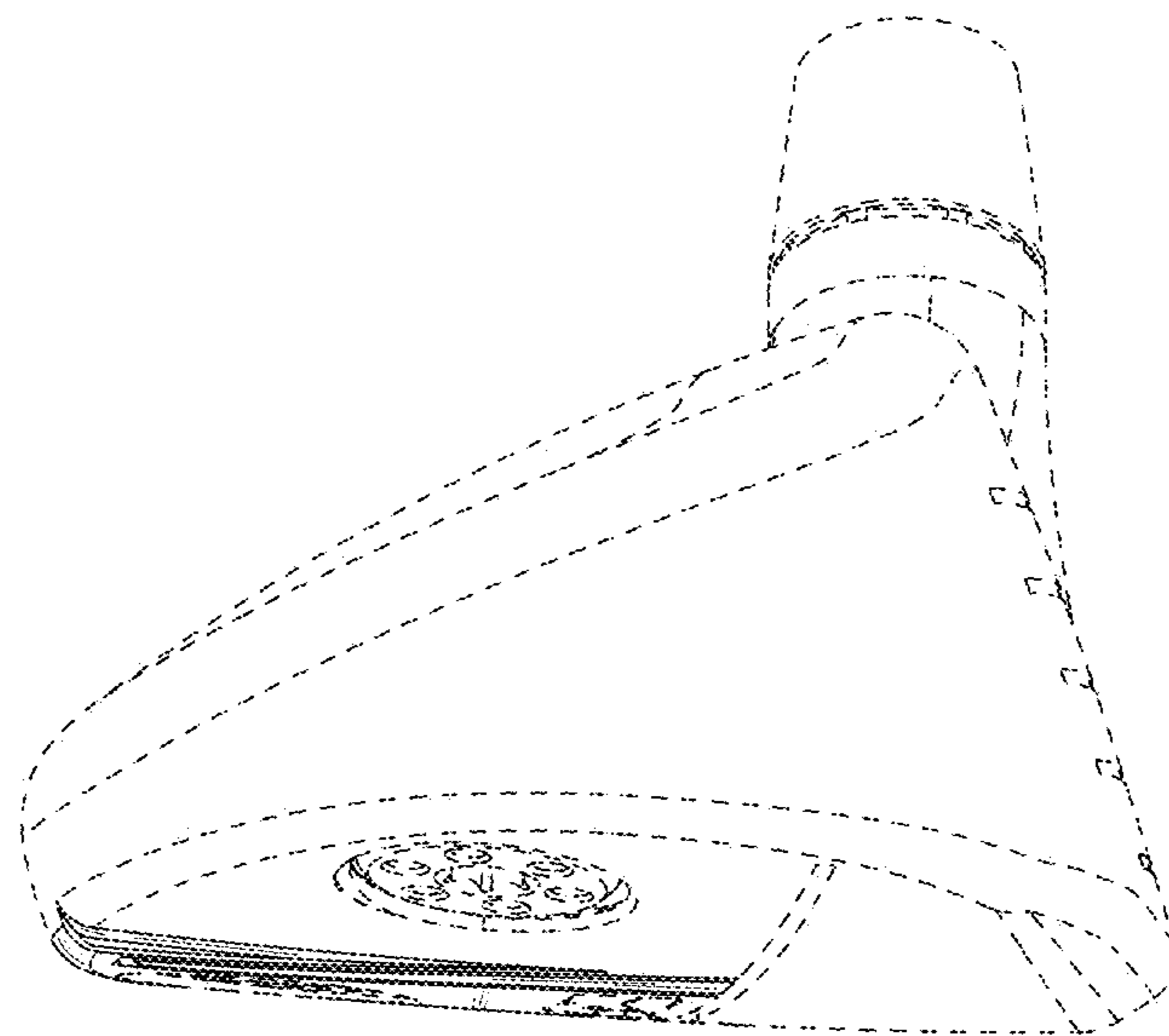


FIG. 16