



US00D981517S

(12) **United States Design Patent**
Day et al.

(10) **Patent No.:** **US D981,517 S**
(45) **Date of Patent:** **** Mar. 21, 2023**

- (54) **GOLF CLUB**
- (71) Applicant: **Cobra Golf Incorporated**, Carlsbad, CA (US)
- (72) Inventors: **Cameron J. Day**, Vista, CA (US); **Douglas E. Roberts**, Carlsbad, CA (US); **Jose Miraflor, III**, Oceanside, CA (US)
- (73) Assignee: **Cobra Golf Incorporated**, Carlsbad, CA (US)
- (**) Term: **15 Years**
- (21) Appl. No.: **29/787,234**
- (22) Filed: **Jun. 4, 2021**
- (51) **LOC (14) Cl.** **21-02**
- (52) **U.S. Cl.**
USPC **D21/759**
- (58) **Field of Classification Search**
USPC D21/759, 789, 747, 750
See application file for complete search history.

- 8,070,623 B2 * 12/2011 Stites A63B 53/0466
473/346
- 8,475,292 B2 * 7/2013 Rahrig A63B 53/0466
473/335
- D859,544 S * 9/2019 Wang D21/736
- D914,814 S * 3/2021 DeMille D21/736

* cited by examiner

Primary Examiner — Khawaja Anwar
Assistant Examiner — Julice Seung Eun Oum
(74) *Attorney, Agent, or Firm* — Quarles & Brady LLP

(57) **CLAIM**

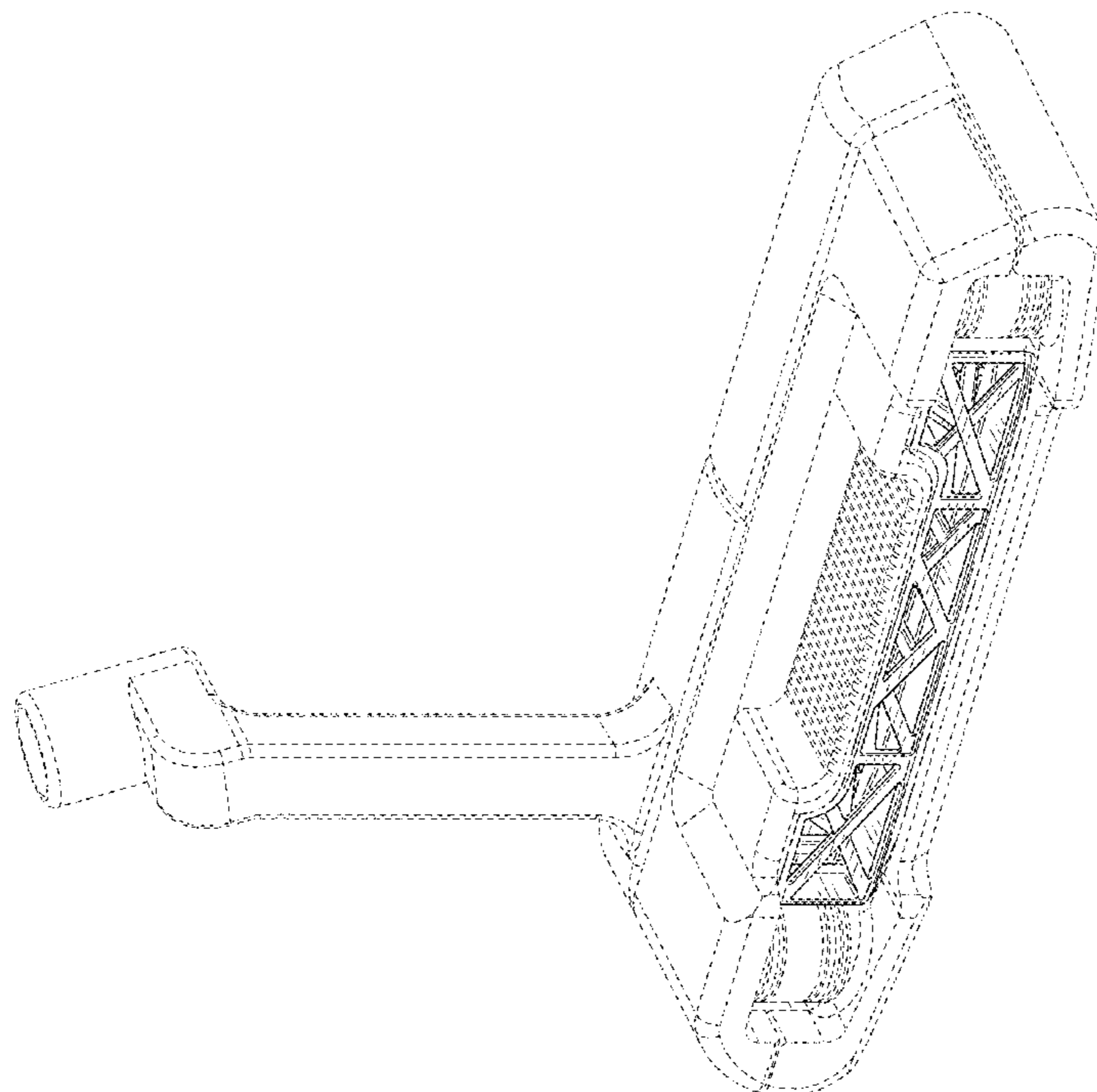
The ornamental design for a golf club, as shown and described.

DESCRIPTION

FIG. 1 is a top, left, and front isometric view of an ornamental design for a golf club;
 FIG. 2 is a front elevational view of the golf club of FIG. 1;
 FIG. 3 is a rear elevational view of the golf club of FIG. 1;
 FIG. 4 is a right side elevational view of the golf club of FIG. 1;
 FIG. 5 is a left side elevational view of the golf club of FIG. 1;
 FIG. 6 is a top plan view of the golf club of FIG. 1;
 FIG. 7 is a bottom plan view of the golf club of FIG. 1;
 FIG. 8 is a top, right, and rear isometric view of the golf club of FIG. 1; and,
 FIG. 9 is a top, left, and front isometric view of the golf club of FIG. 1 coupled with a golf club shaft to form a golf club. The dash-dash-dash broken lines illustrate portions of the golf club that form no part of the claimed design. The dash-dot-dash broken lines illustrate boundary lines and form no part of the claimed design.

1 Claim, 7 Drawing Sheets

- (56) **References Cited**
U.S. PATENT DOCUMENTS
- 5,839,975 A * 11/1998 Lundberg A63B 60/00
473/346
- D449,665 S * 10/2001 Etherton D21/759
- 7,077,758 B2 * 7/2006 Rohrer A63B 53/0487
473/340
- 7,371,185 B1 * 5/2008 Rohrer A63B 53/0487
473/340
- 7,854,665 B2 * 12/2010 Dewhurst A63B 53/0466
473/340



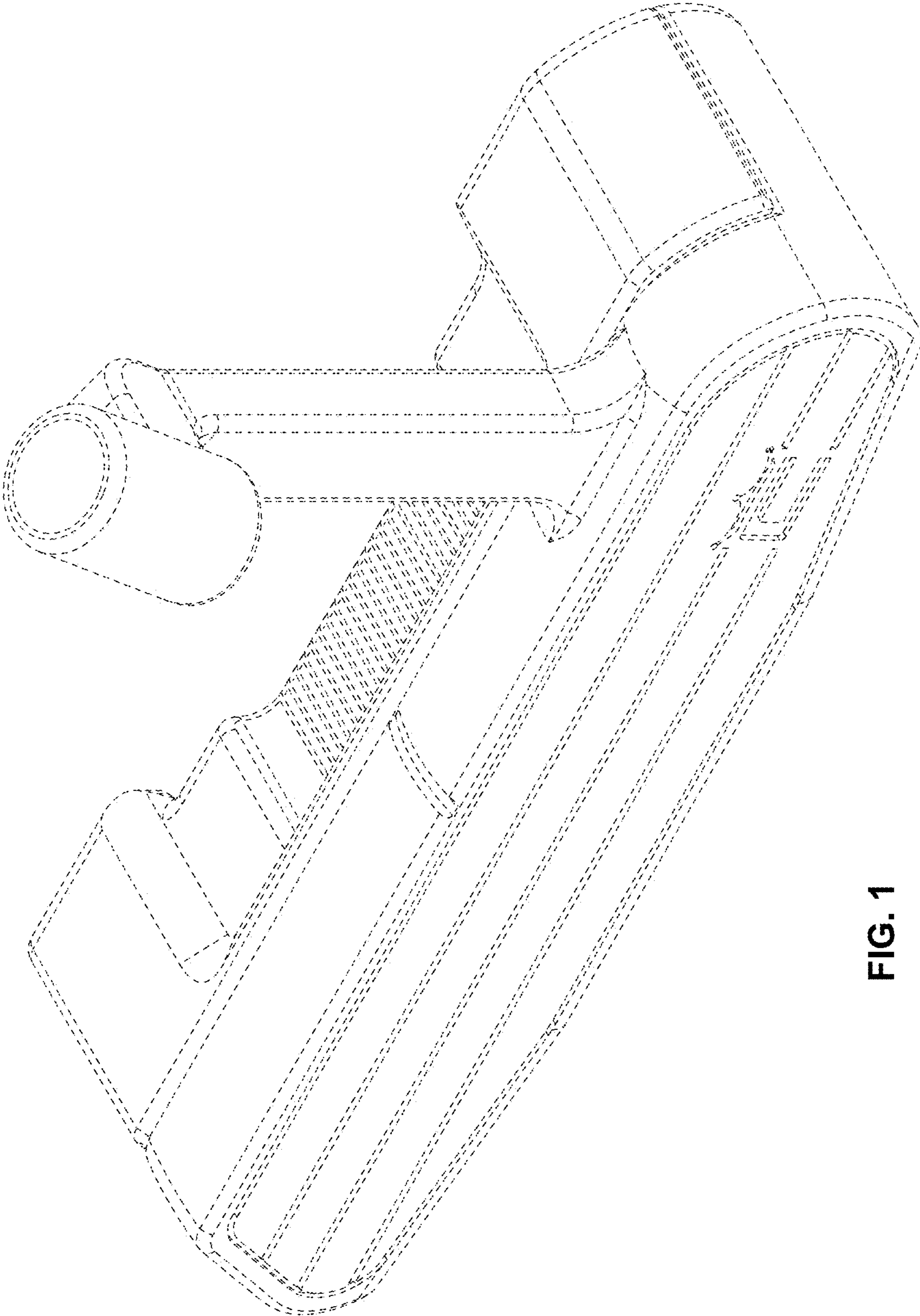


FIG. 1

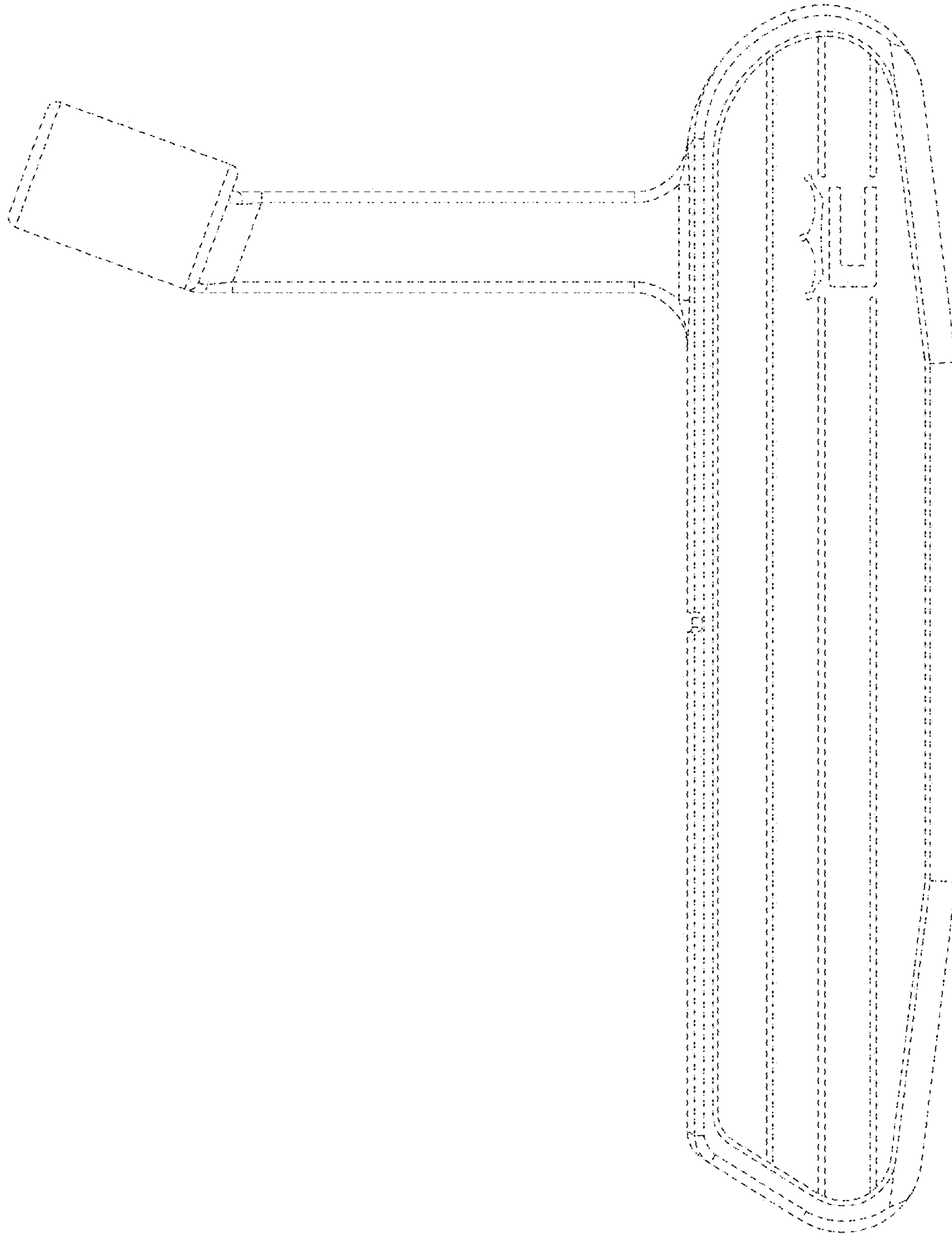


FIG. 2

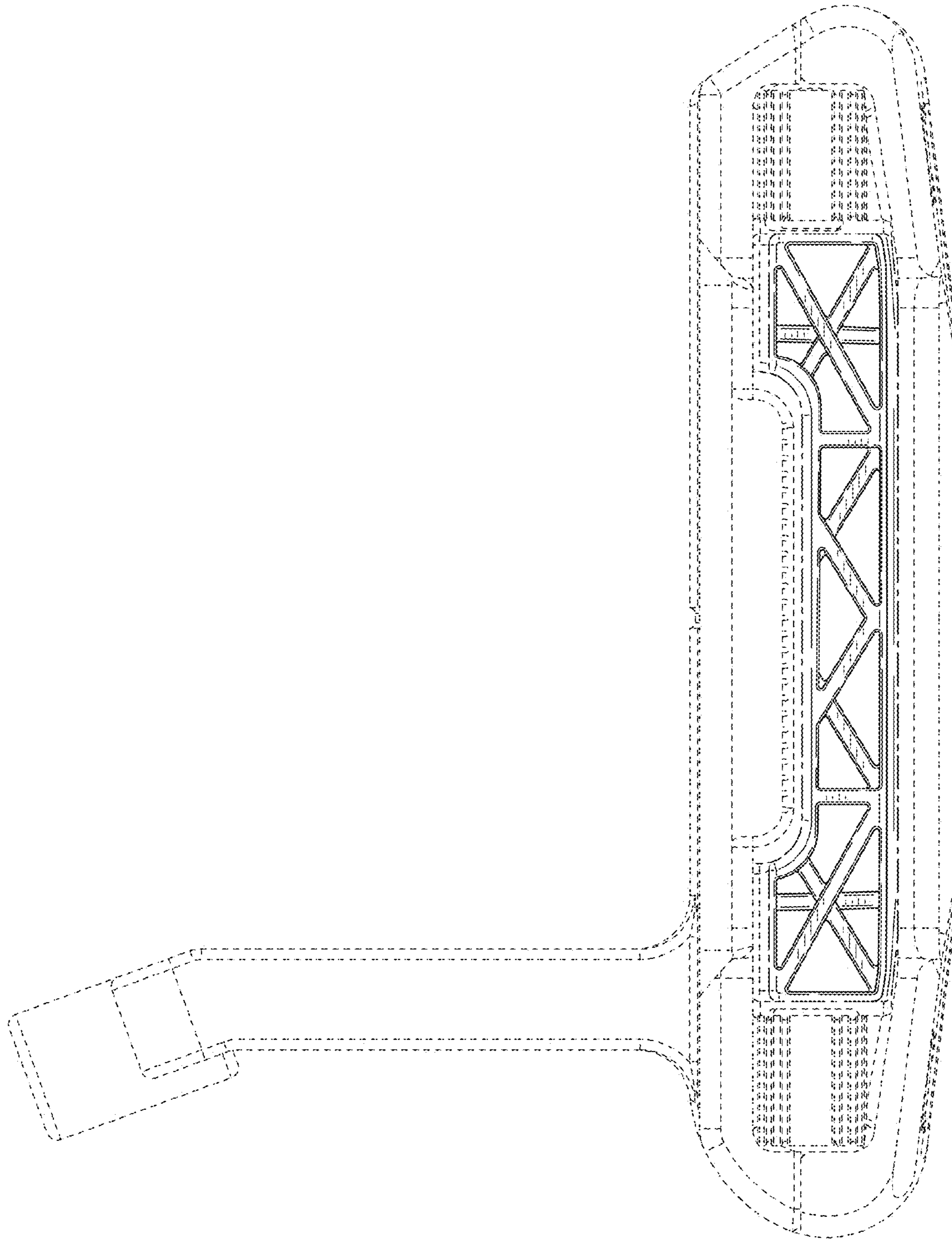


FIG. 3

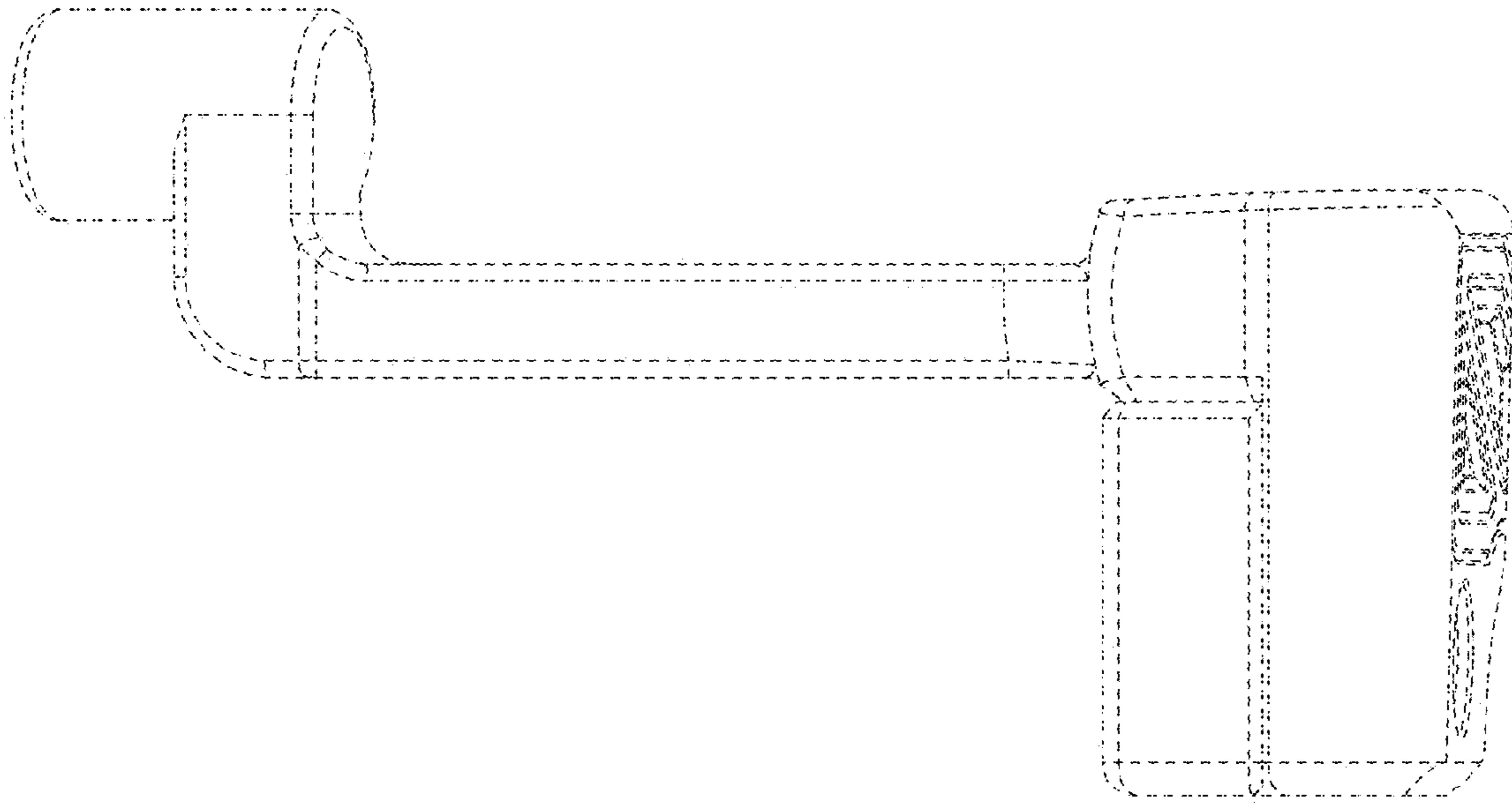


FIG. 4

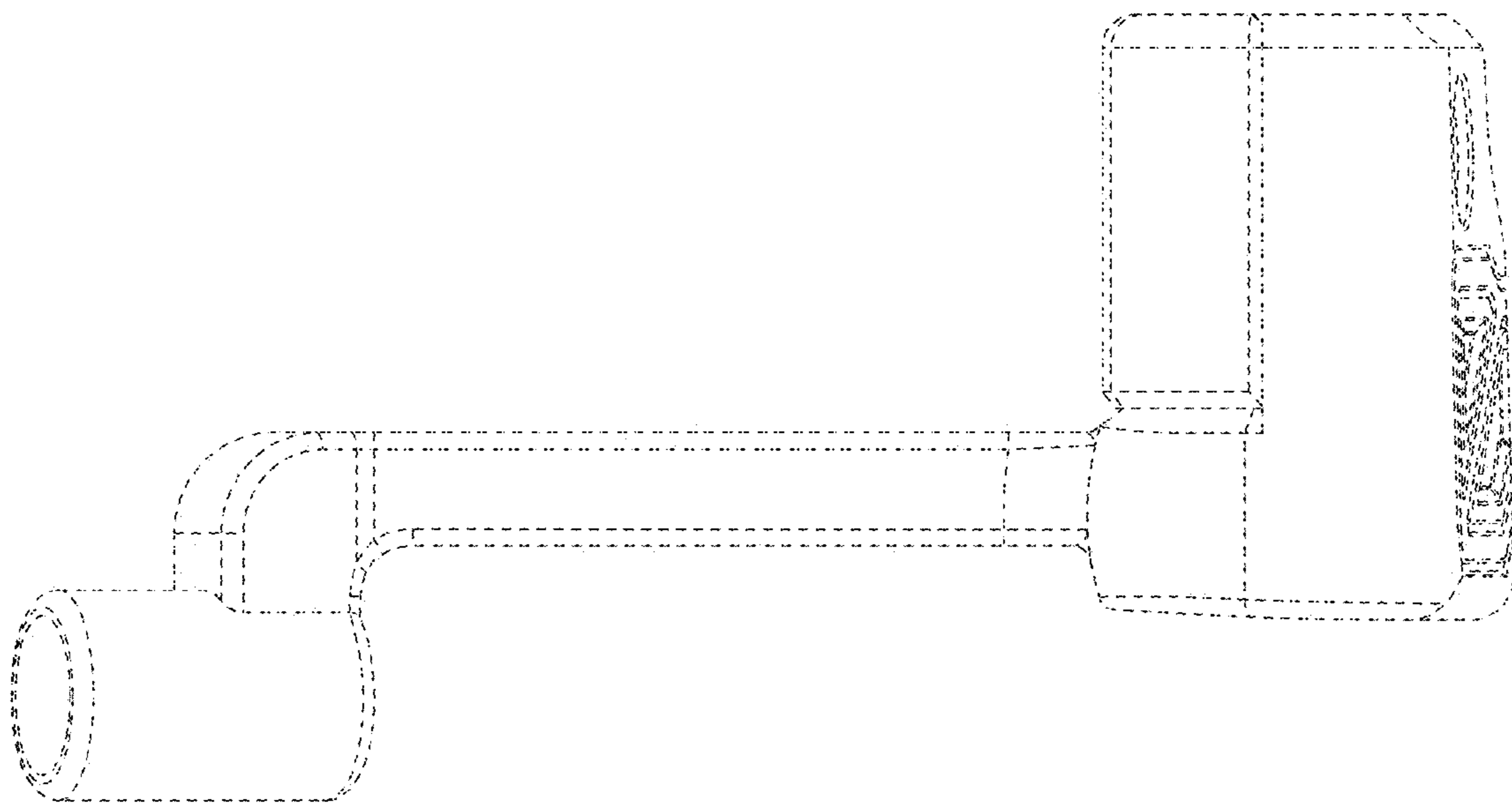


FIG. 5

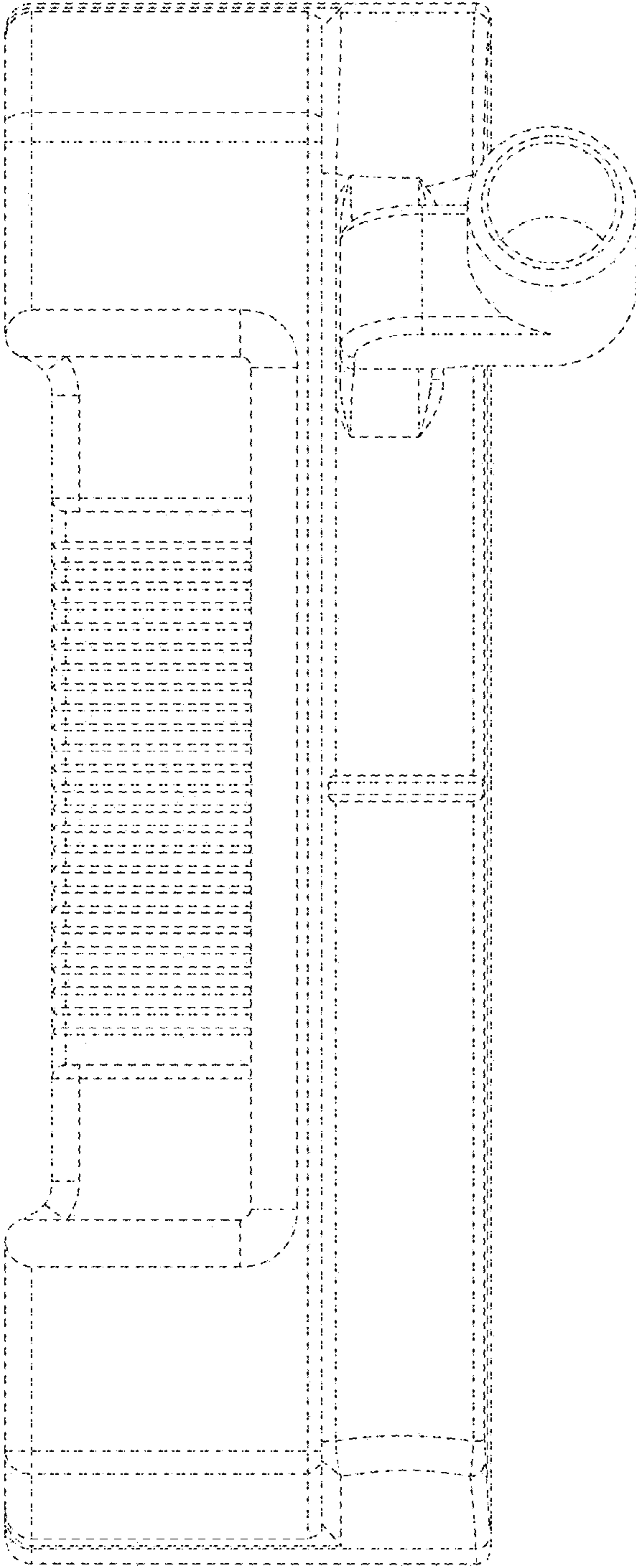


FIG. 6

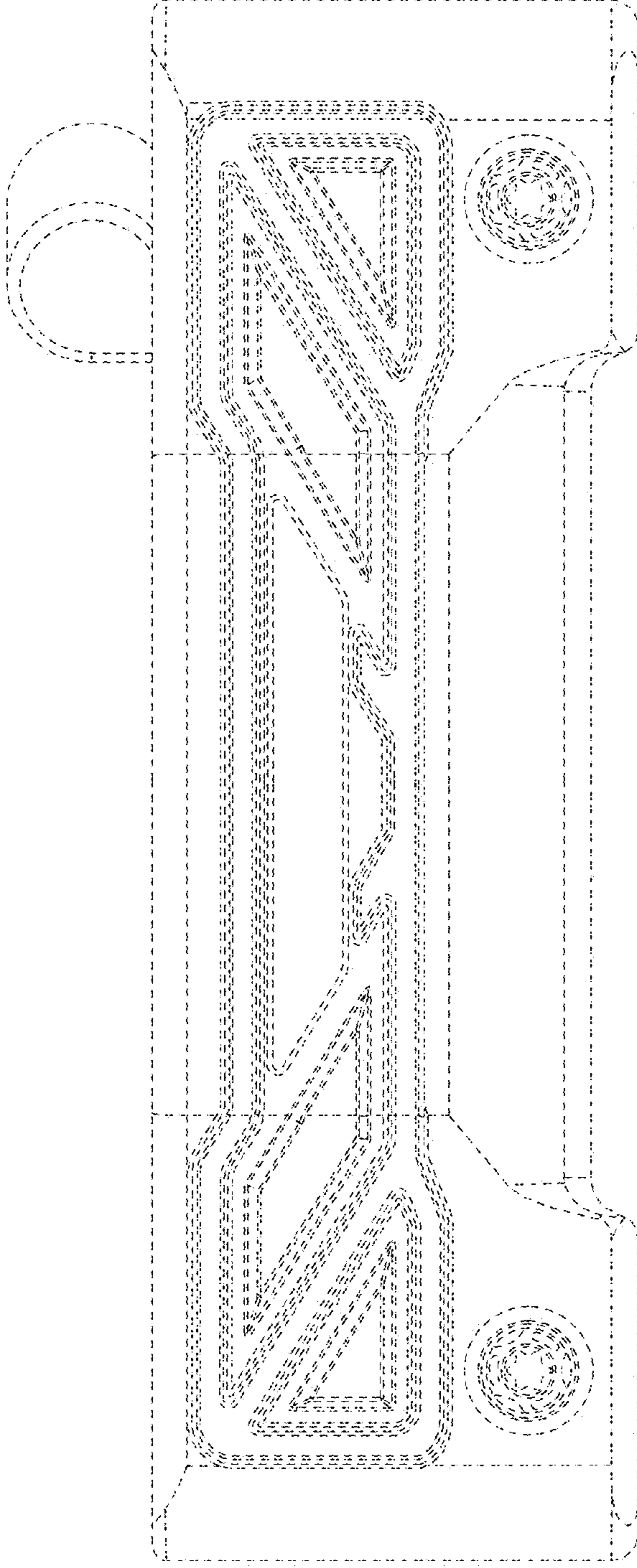


FIG. 7

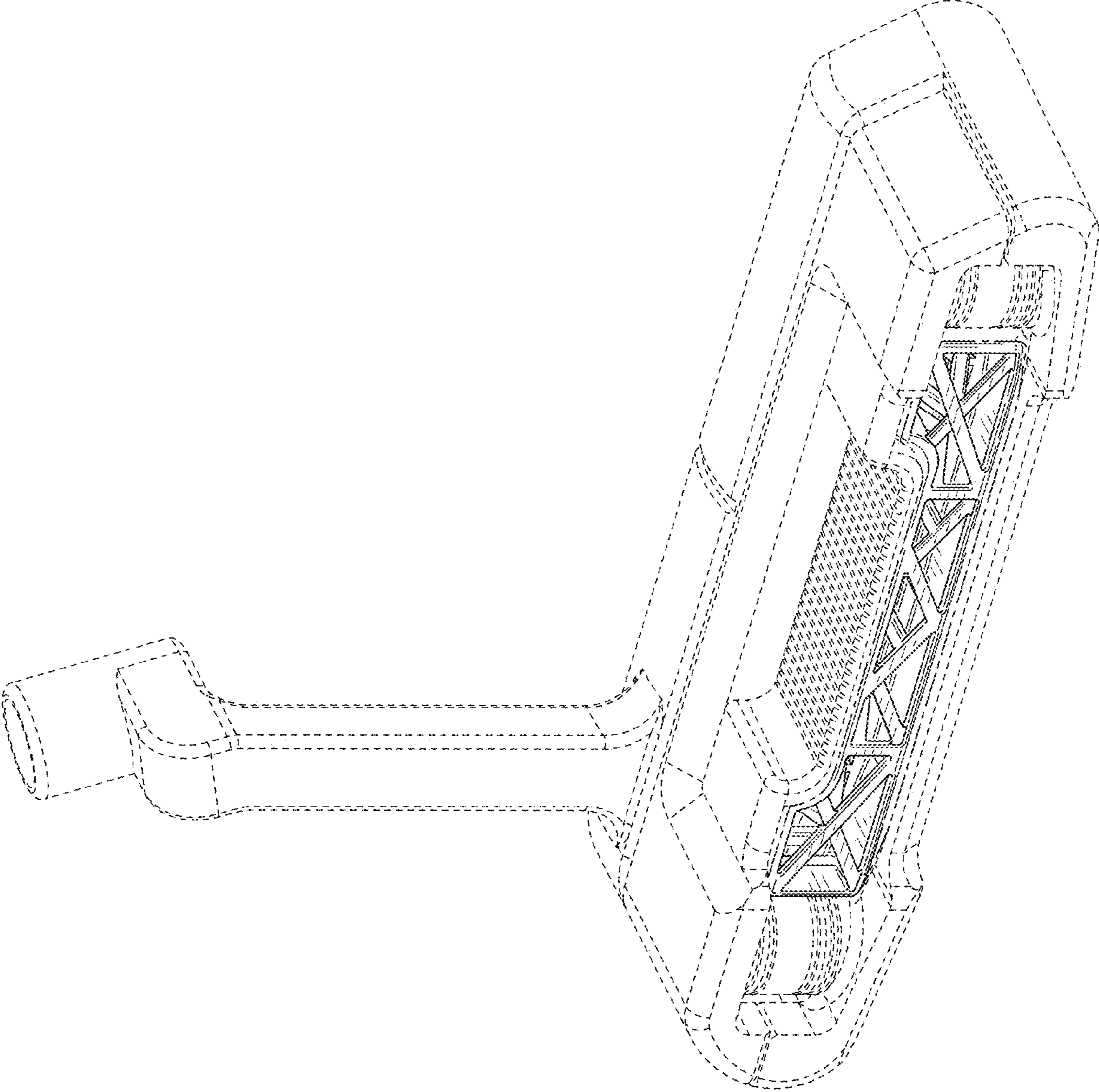


FIG. 8

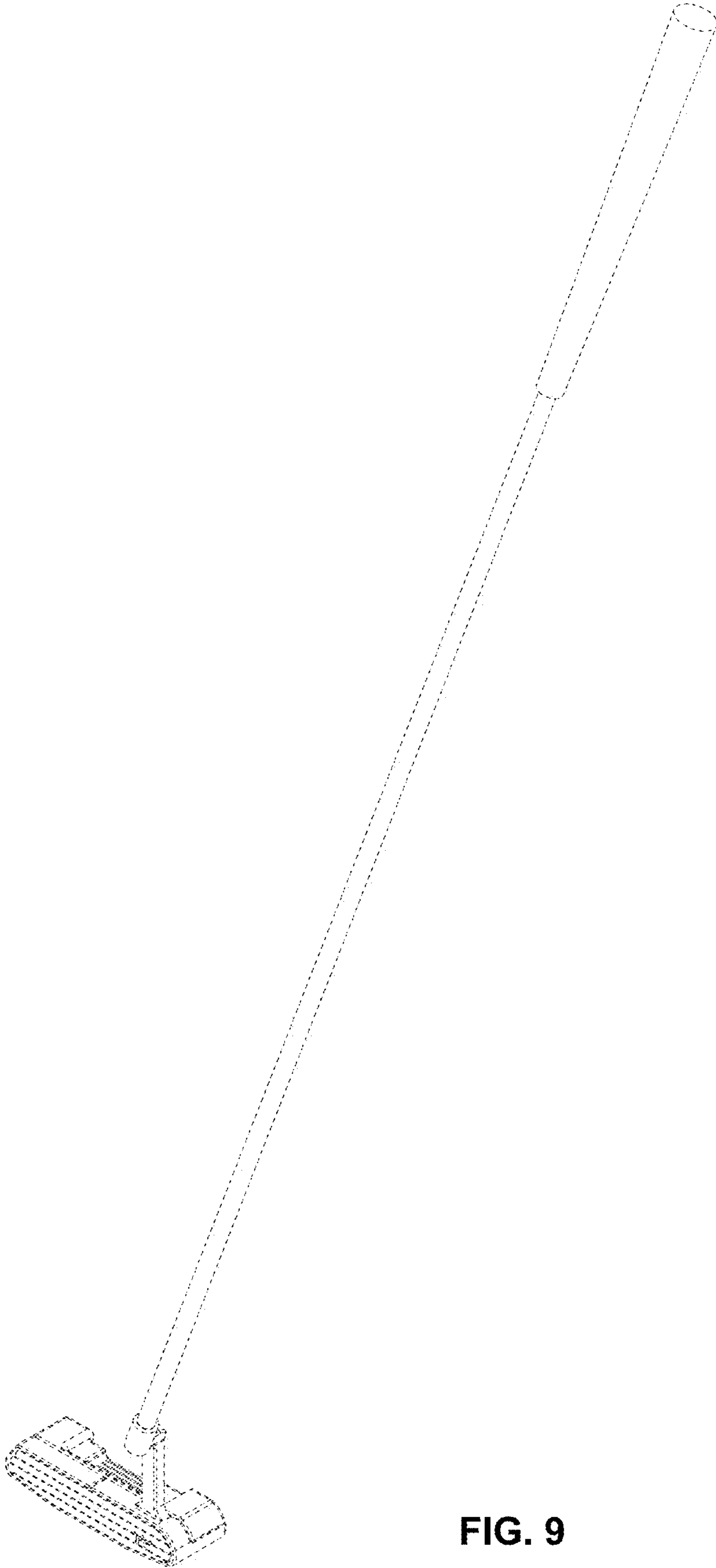


FIG. 9