



US00D981513S

(12) **United States Design Patent** (10) **Patent No.:** **US D981,513 S**
Su (45) **Date of Patent:** **** Mar. 21, 2023**

(54) **TOY BALL**
(71) Applicant: **Xifeng Su**, Shenzhen (CN)
(72) Inventor: **Xifeng Su**, Shenzhen (CN)
(**) Term: **15 Years**
(21) Appl. No.: **29/856,512**
(22) Filed: **Oct. 14, 2022**
(51) **LOC (14) Cl.** **21-02**
(52) **U.S. Cl.**
USPC **D21/713; D30/160**
(58) **Field of Classification Search**
USPC D21/398, 468, 488, 525, 713, 707, 714;
D9/426, 428, 429; D30/160, 128, 121
CPC B65D 17/02; B65D 83/0454; B65D
2501/24242; B65D 2501/00416; B65D
85/58; B65D 83/0463; B65D 25/005;
B65D 11/02; A63H 3/005; A63B 43/00;
A63B 2208/14; A63B 2208/12; A01K
15/025; A01K 15/0121; A01K 15/0114
See application file for complete search history.

(56) **References Cited**

U.S. PATENT DOCUMENTS

1,861,948 A * 6/1932 Barkdoll A63B 39/025
206/315.9
D95,034 S * 4/1935 Frederick D21/713
2,780,029 A * 2/1957 Anthony A63H 5/00
473/571
D193,899 S * 10/1962 Harrison D21/713
3,788,279 A * 1/1974 Boehland, Jr. A01K 39/012
D30/128
D234,708 S * 4/1975 Rostock D21/478
D235,358 S * 6/1975 Dufaud D21/707
4,042,252 A * 8/1977 Winter B60F 3/0069
441/78
5,116,255 A * 5/1992 Keeling A01K 1/0356
119/702
D330,223 S * 10/1992 Crum D11/176

5,792,496 A * 8/1998 Fekete A23G 3/545
426/138
D404,681 S * 1/1999 Galerneau D11/131
D408,482 S * 4/1999 Morrison D21/708
6,050,438 A * 4/2000 Kovens B65D 11/02
220/4.24

(Continued)

OTHER PUBLICATIONS

Kruise Catrine Catmosphere Treat Ball. Date First Available: Aug. 4, 2013. Retrieved from internet: <<https://www.amazon.ca/Kruise-Catrine-Catmosphere-Treat-Black/dp/B004W78SGK?th=1>> [site visited Dec. 13, 2022] (Year: 2013).*

(Continued)

Primary Examiner — Katherine Glennon
Assistant Examiner — Yuan Yuan
(74) *Attorney, Agent, or Firm* — Daniel M. Cohn;
Howard M. Cohn

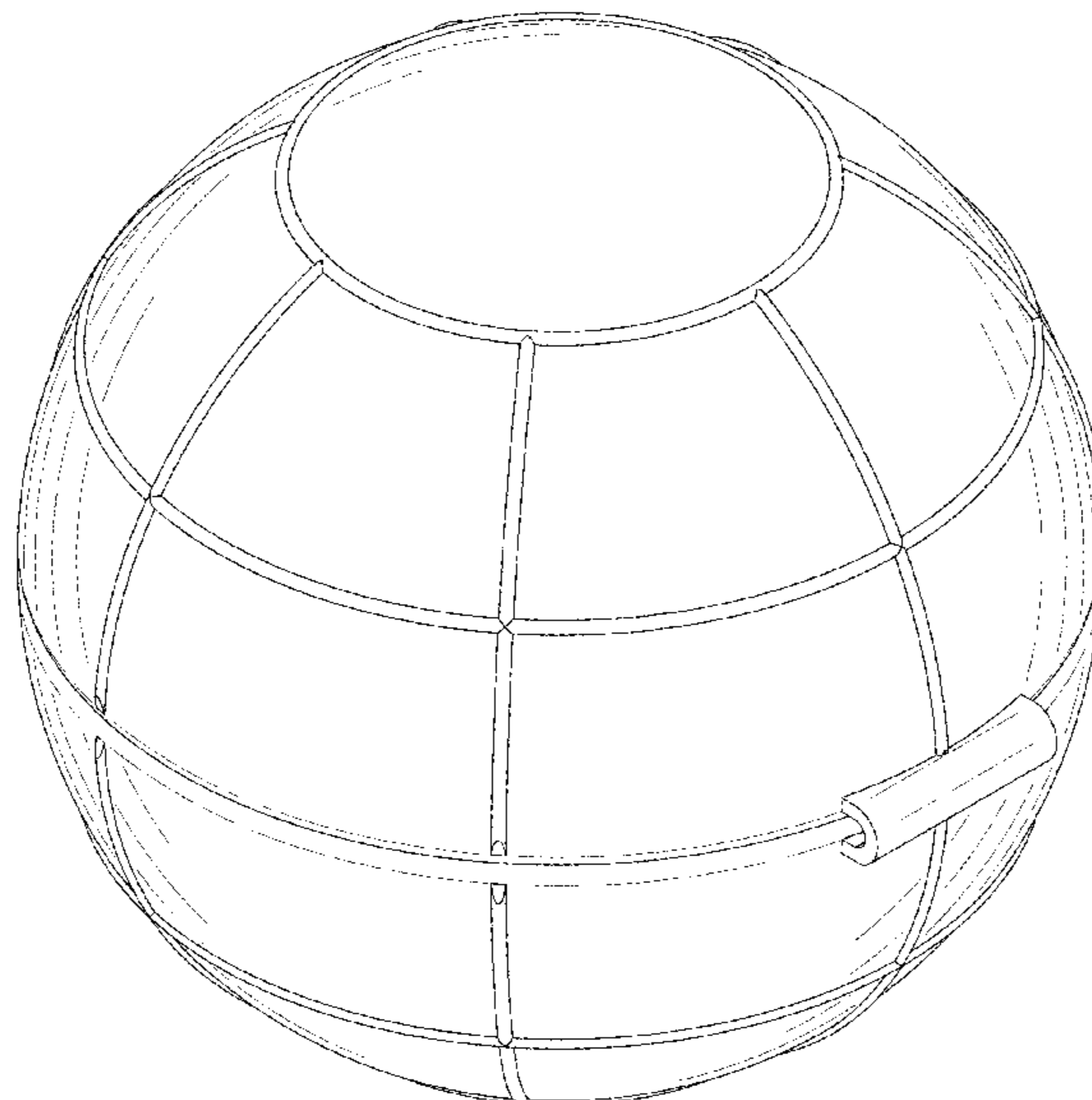
(57) **CLAIM**

The ornamental design for a toy ball, as shown and described.

DESCRIPTION

FIG. 1 is a perspective view of a toy ball showing my new design;
FIG. 2 is another perspective view thereof;
FIG. 3 is a front elevational view thereof;
FIG. 4 is a rear elevational view thereof;
FIG. 5 is a left side elevational view thereof;
FIG. 6 is a right side elevational view thereof;
FIG. 7 is a top plan view thereof;
FIG. 8 is a bottom plan view thereof; and,
FIG. 9 is a perspective view of the toy ball, shown in an open configuration.
The dash-dash broken lines in the drawings depict portions of the toy ball that form no part of the claimed design.

1 Claim, 9 Drawing Sheets



(56)

References Cited

U.S. PATENT DOCUMENTS

D439,470 S * 3/2001 Durbin D7/400
 6,428,432 B1 * 8/2002 Kachel A63B 43/06
 473/570
 D473,160 S * 4/2003 Weissman D11/220
 D475,288 S * 6/2003 Hoffmann D9/429
 6,578,527 B1 * 6/2003 Mathers A01K 15/025
 446/175
 6,634,970 B2 * 10/2003 Jiminez A63B 41/08
 473/597
 D638,071 S * 5/2011 Tyler D21/372
 D638,884 S * 5/2011 Shoemaker, Jr. D21/386
 8,122,832 B1 * 2/2012 Wei F42B 10/00
 102/501
 D661,540 S * 6/2012 Facey D7/354
 D680,698 S * 4/2013 McWilliams D30/121
 8,457,339 B2 * 6/2013 Li H04R 1/2811
 381/345
 D703,765 S * 4/2014 Montes D21/713
 D758,557 S * 6/2016 Jih D23/355
 D762,017 S * 7/2016 Tsengas A01K 5/0114
 D30/129

9,861,902 B1 * 1/2018 Perez A63H 1/32
 D834,300 S * 11/2018 Sapara, Jr. D32/29.1
 D870,354 S * 12/2019 Arola D26/88
 D870,987 S * 12/2019 Murray D30/160
 D899,524 S * 10/2020 Maruyama D21/300
 D927,799 S 8/2021 Zhou et al.
 D929,691 S * 8/2021 Raad D32/29.1
 D955,069 S 6/2022 Xu
 2003/0080197 A1 * 5/2003 Tuomikoski A61L 9/12
 239/57
 2005/0120972 A1 * 6/2005 Aboujaoude A01K 15/025
 119/707
 2016/0001918 A1 * 1/2016 Orion B65D 11/02
 220/4.24

OTHER PUBLICATIONS

Ourpets 2130010792 IQ Treat Ball. Date First Available: Oct. 25, 2010. Retrieved from internet: <<https://www.amazon.ca/Our-Pets-Interactive-Dispensing-ASSORTED/dp/B003ARUKTG?th=1>> [site visited Dec. 13, 2022] (Year: 2010).*

* cited by examiner

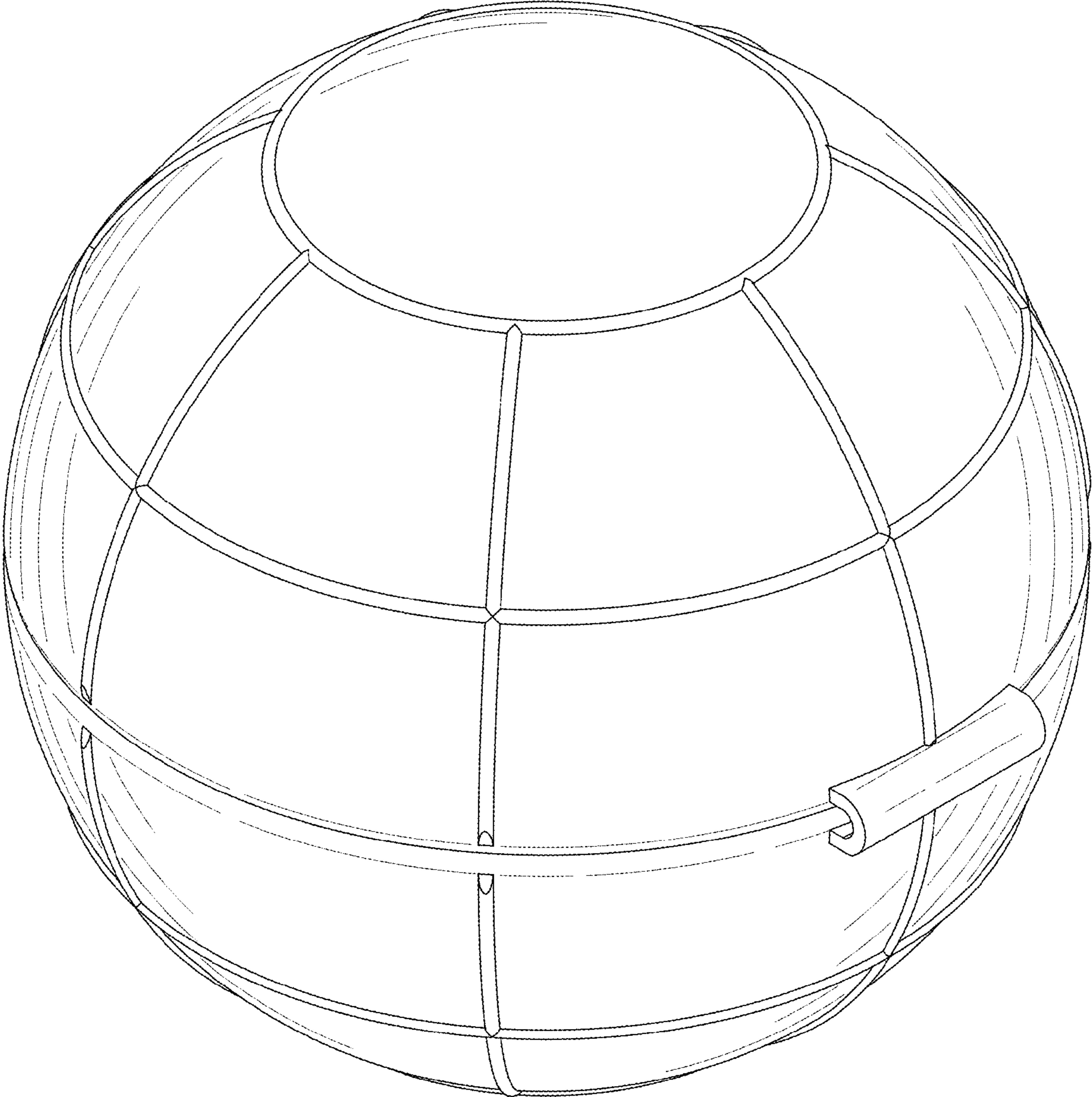


FIG. 1

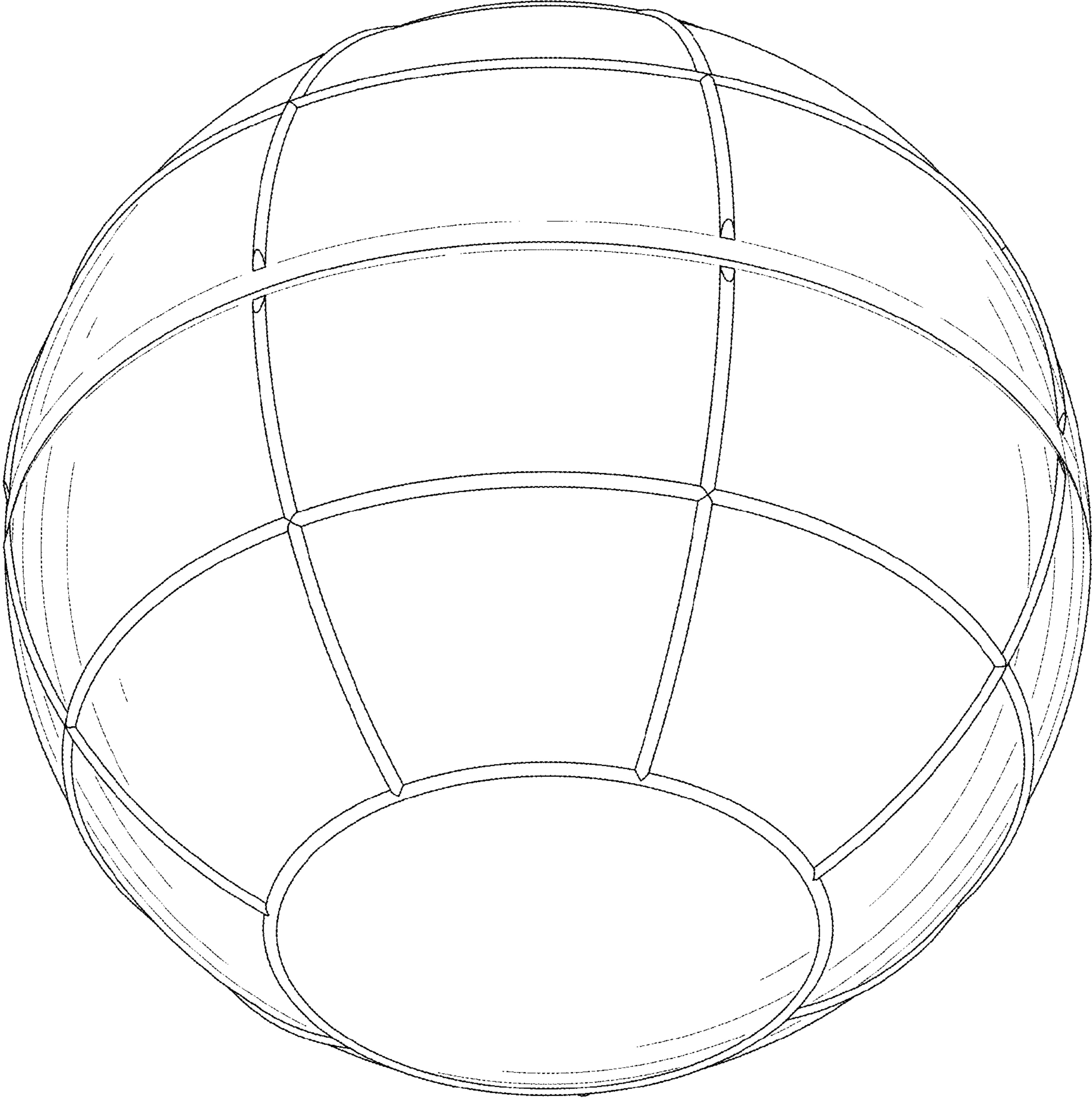


FIG. 2

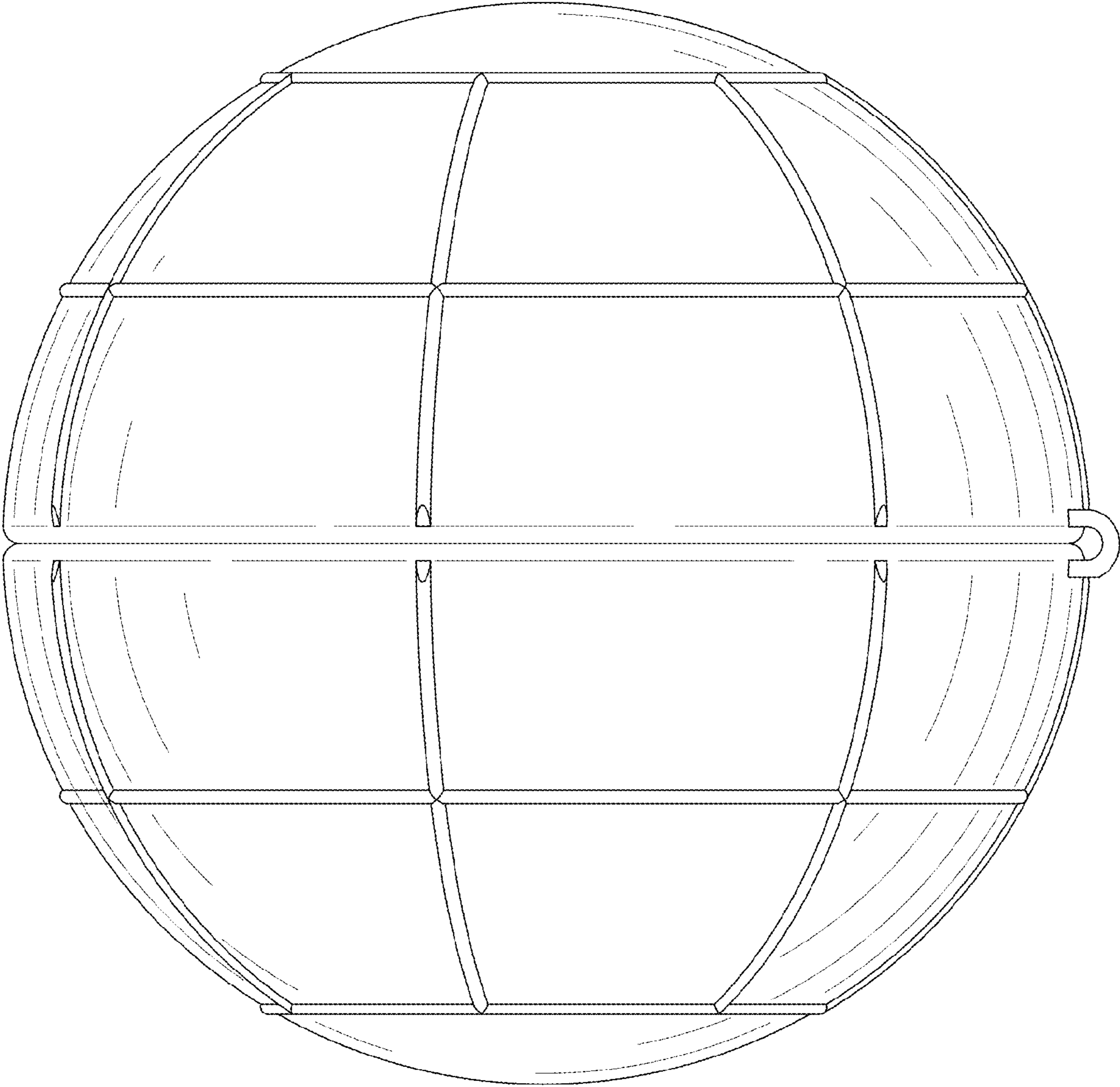


FIG. 3

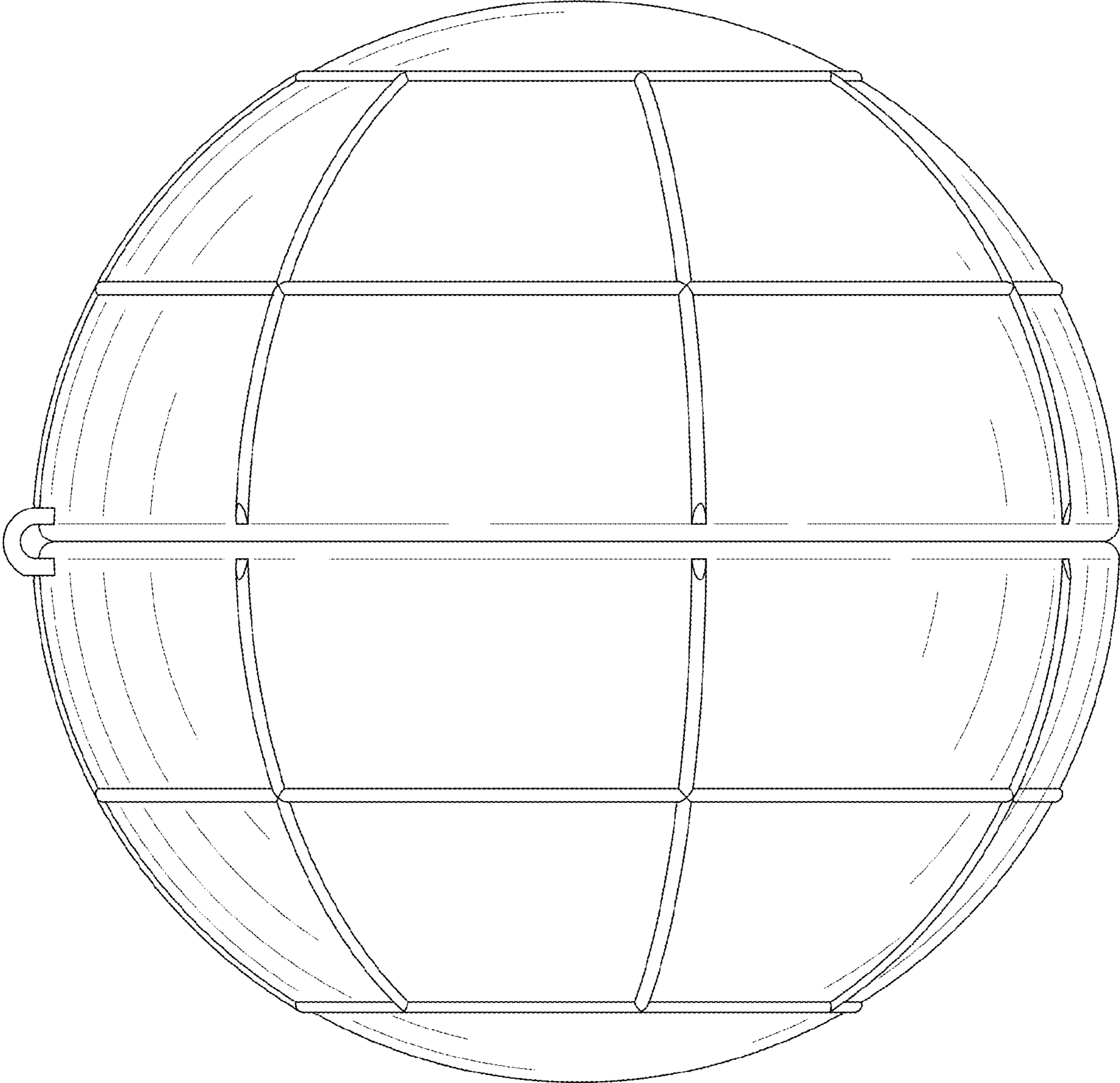


FIG. 4

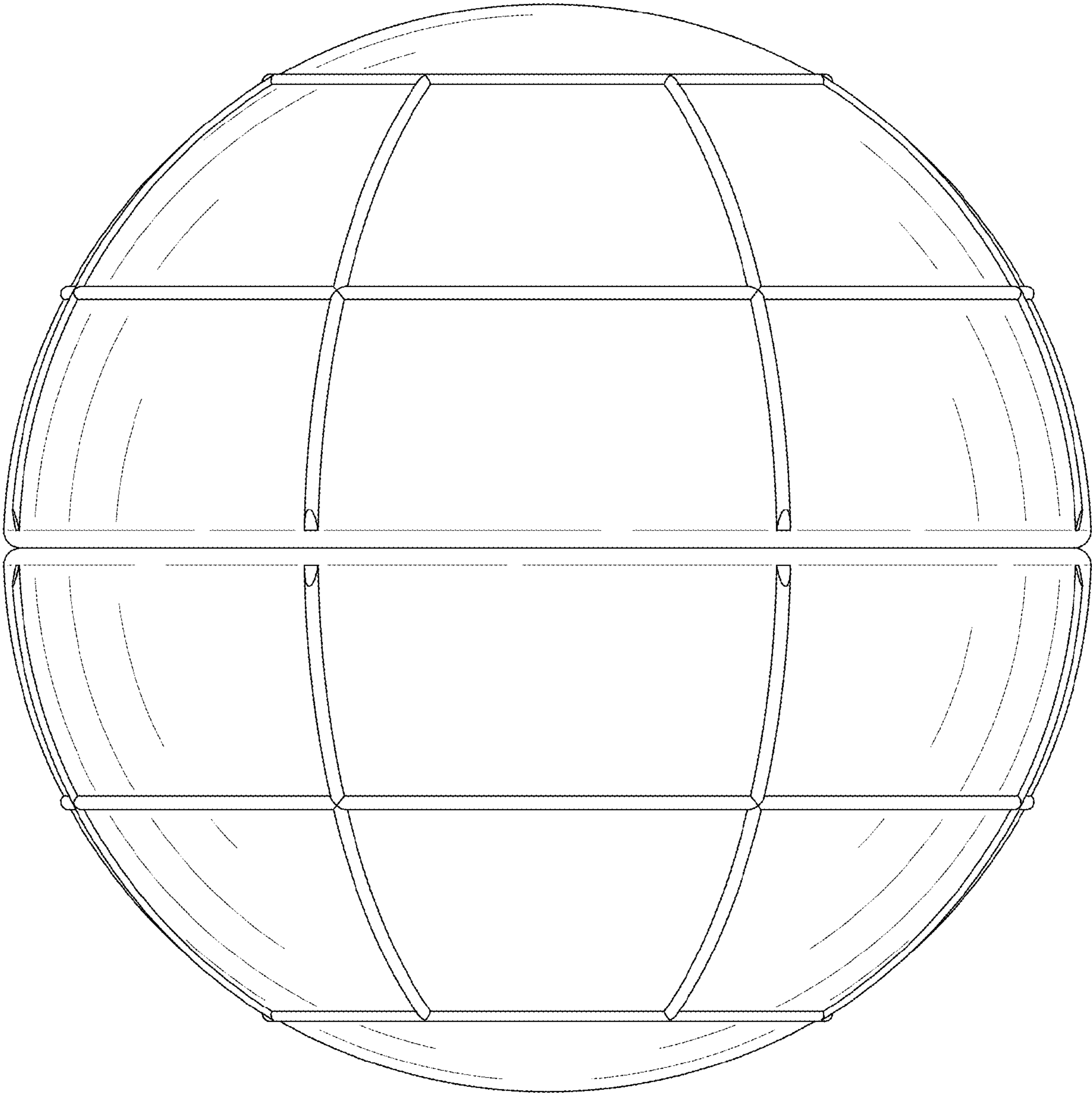


FIG. 5

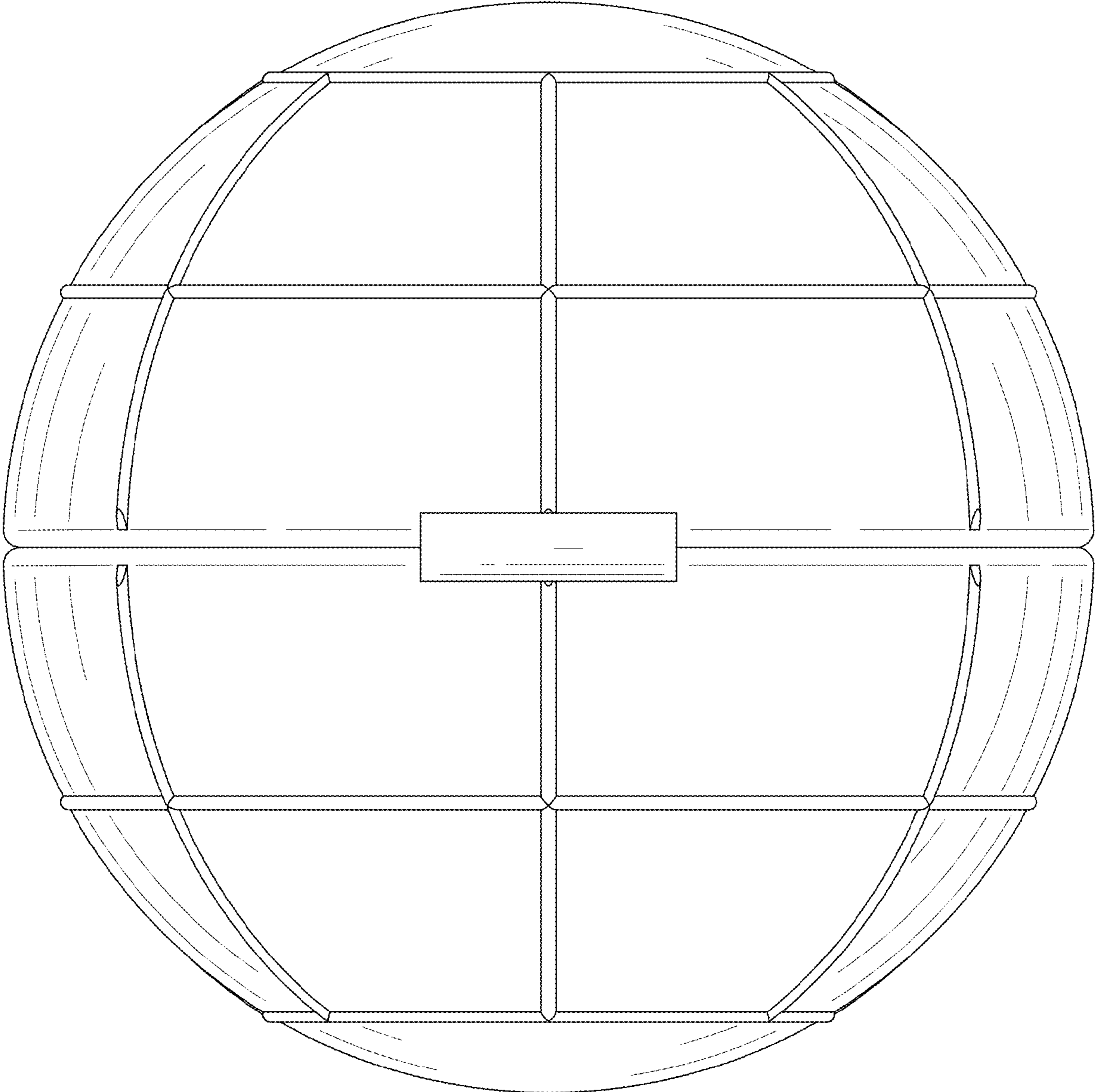


FIG. 6

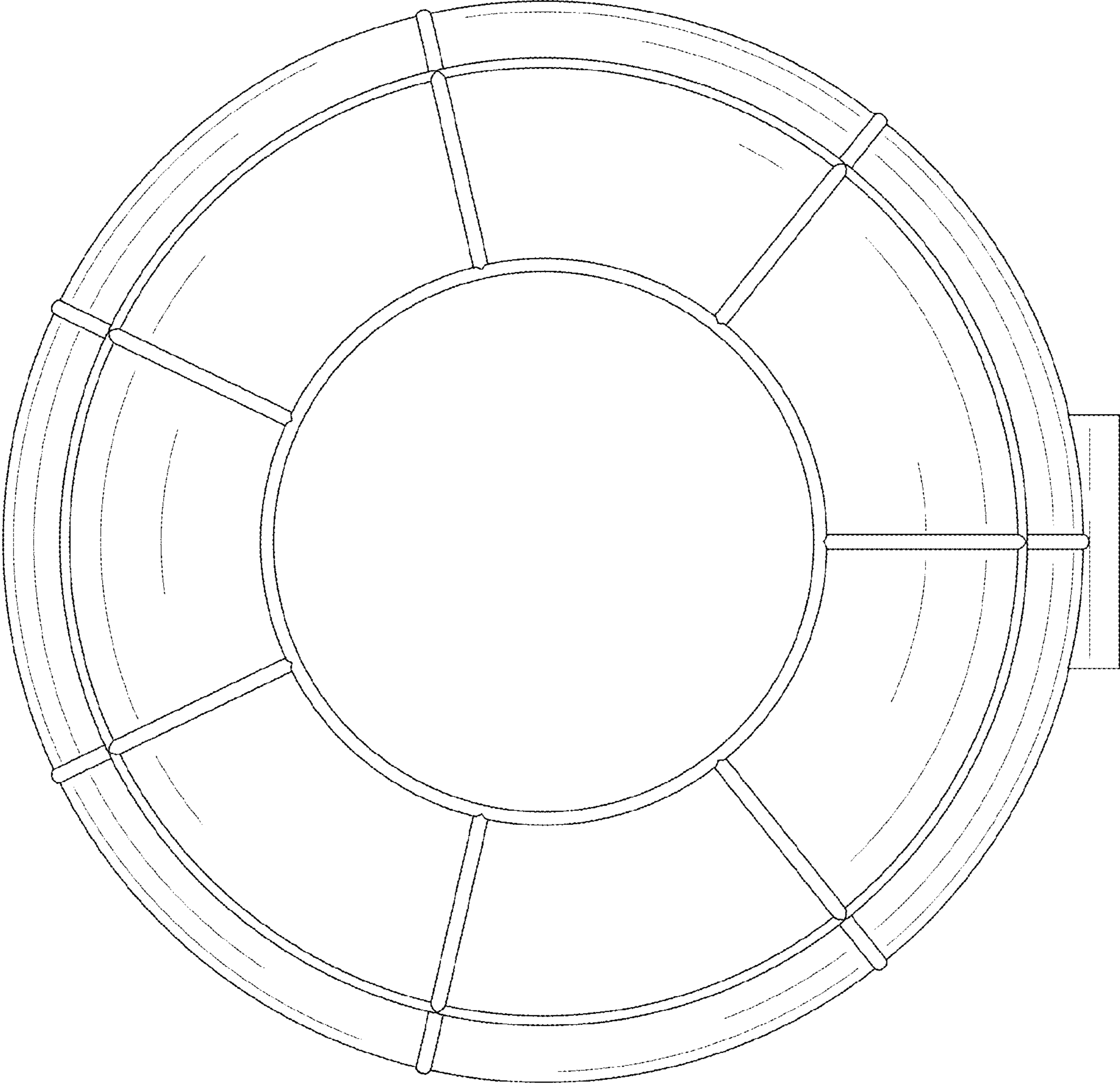


FIG. 7

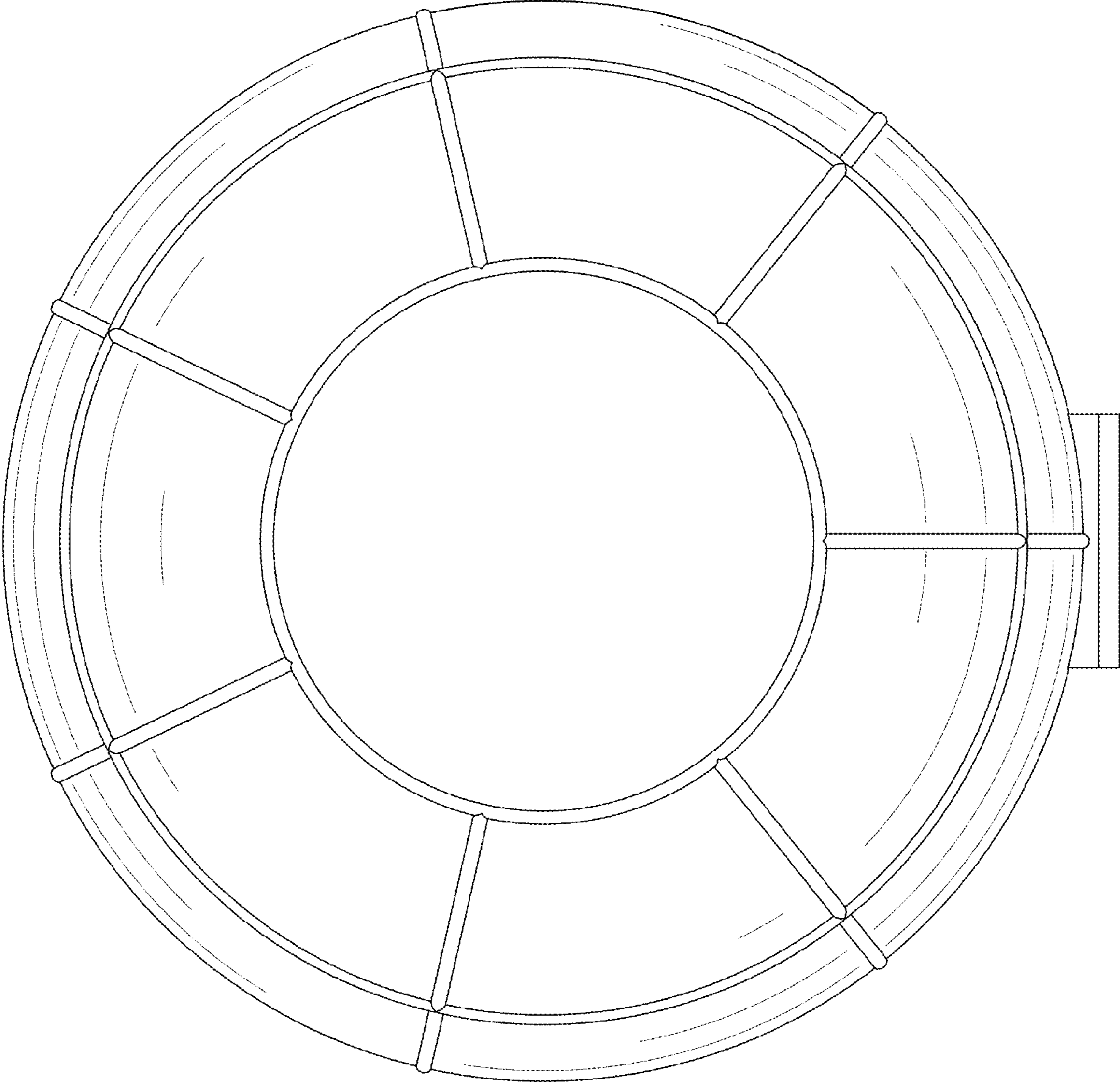


FIG. 8

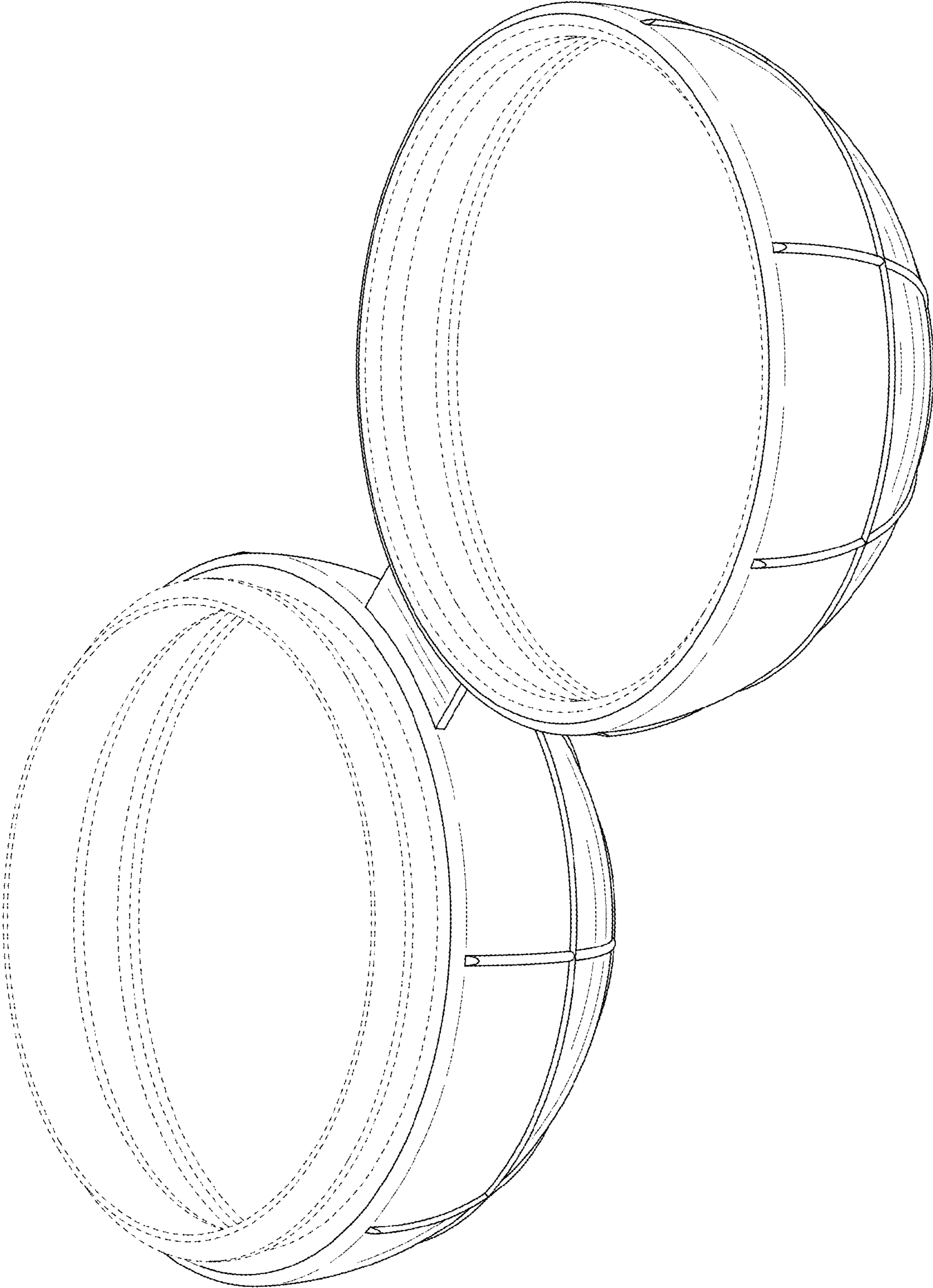


FIG. 9