



US00D981512S

(12) **United States Design Patent**  
**Chuang**

(10) **Patent No.:** **US D981,512 S**

(45) **Date of Patent:** **\*\* Mar. 21, 2023**

(54) **EXERCISE EQUIPMENT**

(71) Applicant: **Lung-Fei Chuang**, Taichung (TW)

(72) Inventor: **Lung-Fei Chuang**, Taichung (TW)

(\*\*) Term: **15 Years**

(21) Appl. No.: **29/675,426**

(22) Filed: **Jan. 2, 2019**

(30) **Foreign Application Priority Data**

Aug. 24, 2018 (CN) ..... 201830472723.0

(51) **LOC (14) Cl.** ..... **21-02**

(52) **U.S. Cl.**  
USPC ..... **D21/690**

(58) **Field of Classification Search**  
USPC ..... D12/6, 7, 10; D15/22, 27-28; D21/673,  
D21/674, 676, 686, 690, 694, 695  
CPC ..... A63B 21/045  
See application file for complete search history.

(56) **References Cited**

**U.S. PATENT DOCUMENTS**

- D281,060 S \* 10/1985 Appel ..... D12/10
- D296,225 S \* 6/1988 Armstrong ..... D34/19
- D296,809 S \* 7/1988 Armstrong ..... D21/674
- D308,552 S \* 6/1990 Klawitter ..... D21/434
- D327,101 S \* 6/1992 Halter ..... D21/425
- D345,768 S \* 4/1994 Bro ..... D21/425
- D381,709 S \* 7/1997 Petersson ..... D21/540
- D391,732 S \* 3/1998 Spear ..... D34/17
- D393,233 S \* 4/1998 Emanuel ..... D12/6
- 5,810,376 A \* 9/1998 Matheny ..... B62B 15/008  
280/87.021
- D519,172 S \* 4/2006 Penat ..... D21/694
- D562,412 S \* 2/2008 Tremblay ..... D21/536

- D658,725 S \* 5/2012 Clark ..... D21/425
- D694,347 S \* 11/2013 Campanaro ..... D21/676
- D752,836 S \* 3/2016 Wyse ..... D34/16
- D754,562 S \* 4/2016 Harvey ..... D12/6
- D831,767 S \* 10/2018 Fraise ..... D21/760
- D866,676 S \* 11/2019 Ostergaard ..... D21/425
- D868,167 S \* 11/2019 Ostergaard ..... D12/133
- D872,490 S \* 1/2020 Chuang ..... D6/356
- D921,778 S \* 6/2021 Grbic ..... D21/686
- D941,940 S \* 1/2022 McIntyre ..... D21/686
- 2019/0183712 A1 \* 6/2019 Chuang ..... A61H 23/02
- 2020/0061406 A1 \* 2/2020 Chuang ..... A63B 23/02
- 2020/0061446 A1 \* 2/2020 Chuang ..... A63B 21/4017

\* cited by examiner

*Primary Examiner* — Michael C Stout

*Assistant Examiner* — Melvin L Davis

(74) *Attorney, Agent, or Firm* — CKC & Partners Co., LLC

(57) **CLAIM**

The ornamental design for an exercise equipment, as shown and described.

**DESCRIPTION**

FIG. 1 is a perspective view of an exercise equipment showing my new design;

FIG. 2 is a front view thereof;

FIG. 3 is a back view thereof;

FIG. 4 is a left side view thereof;

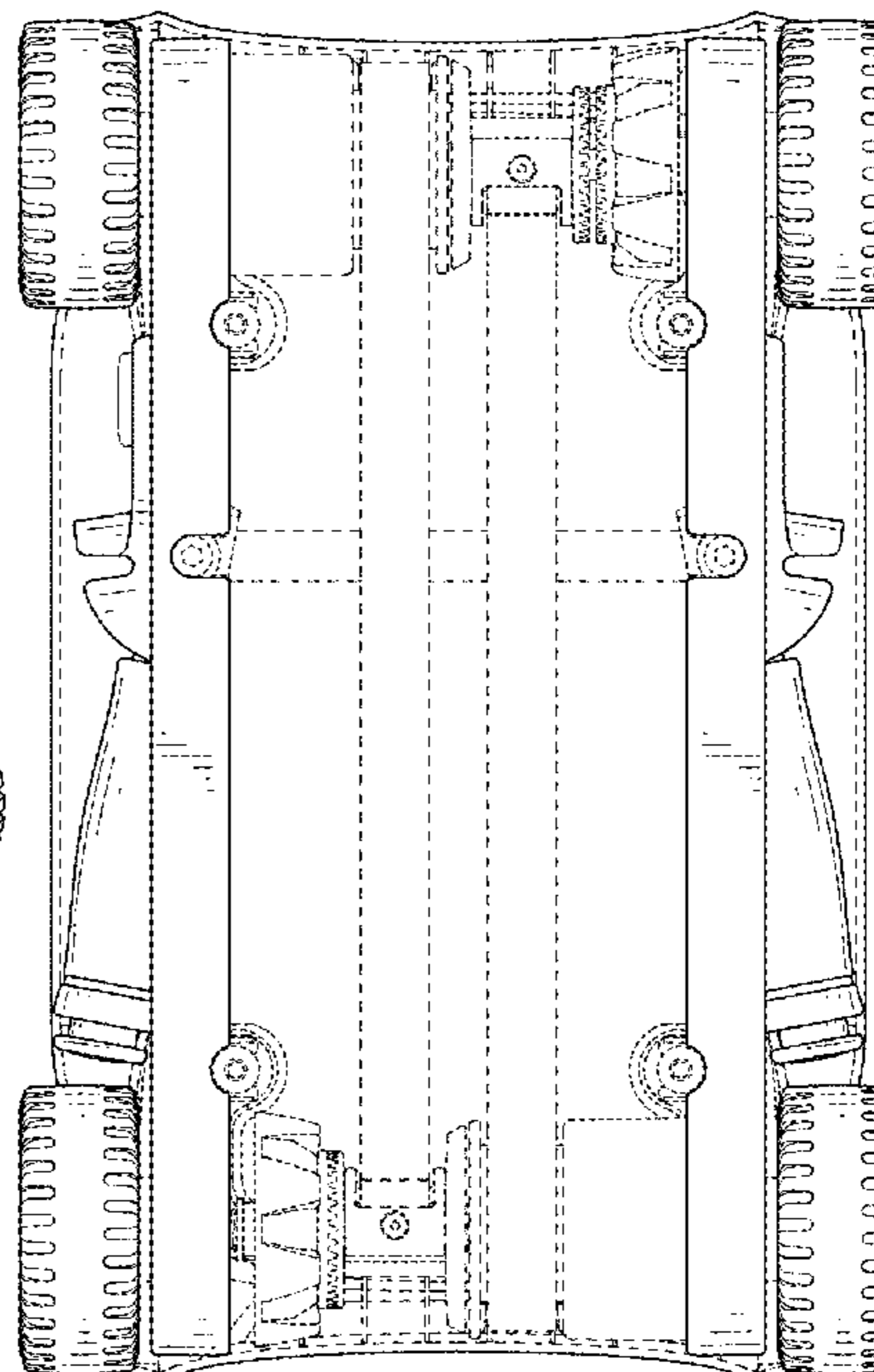
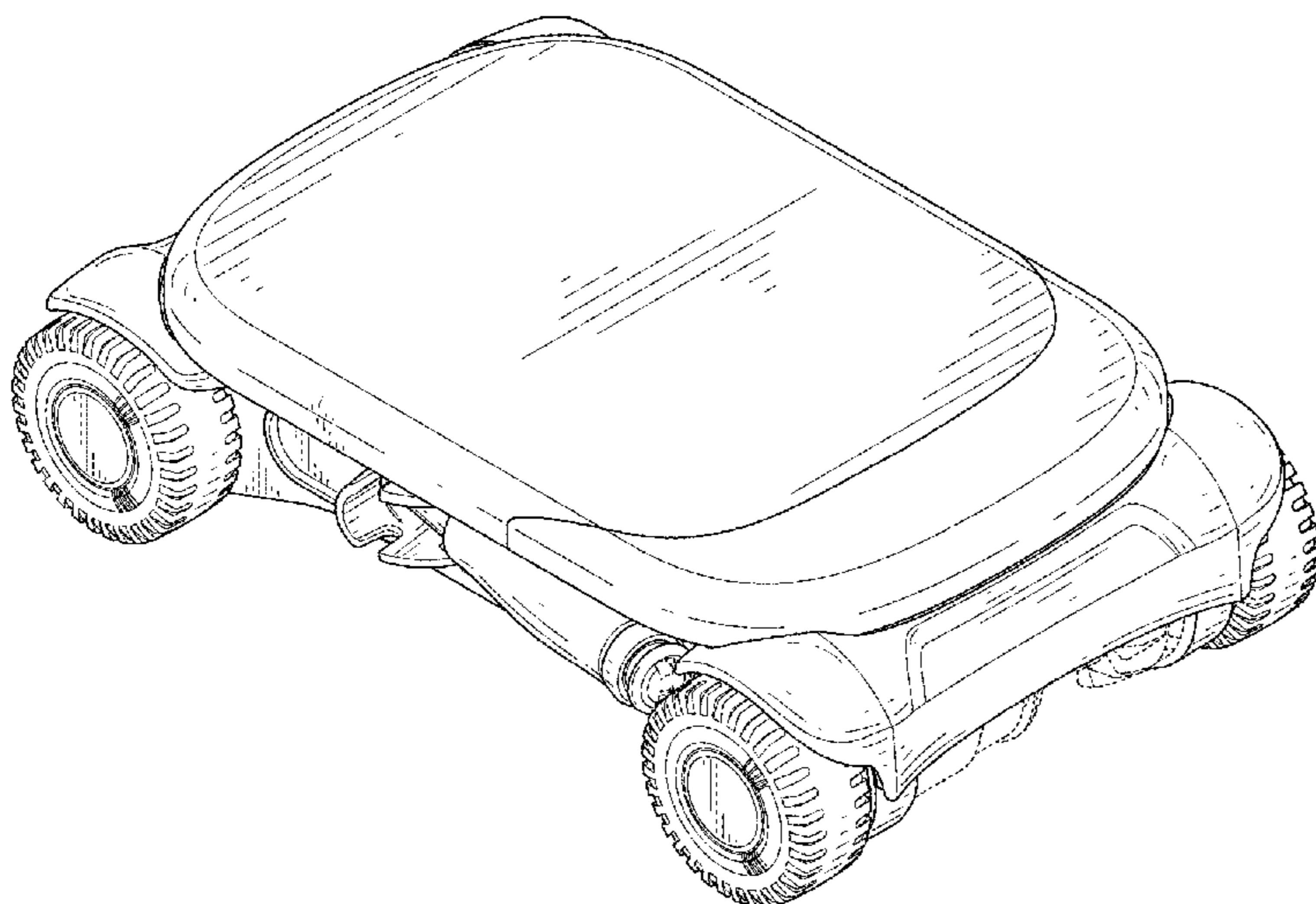
FIG. 5 is a right side view thereof;

FIG. 6 is a top view thereof; and,

FIG. 7 is a bottom view thereof.

The broken line showing of the exercise equipment is for the purpose of illustrating portions of the article that forms no part of the claimed design.

**1 Claim, 5 Drawing Sheets**



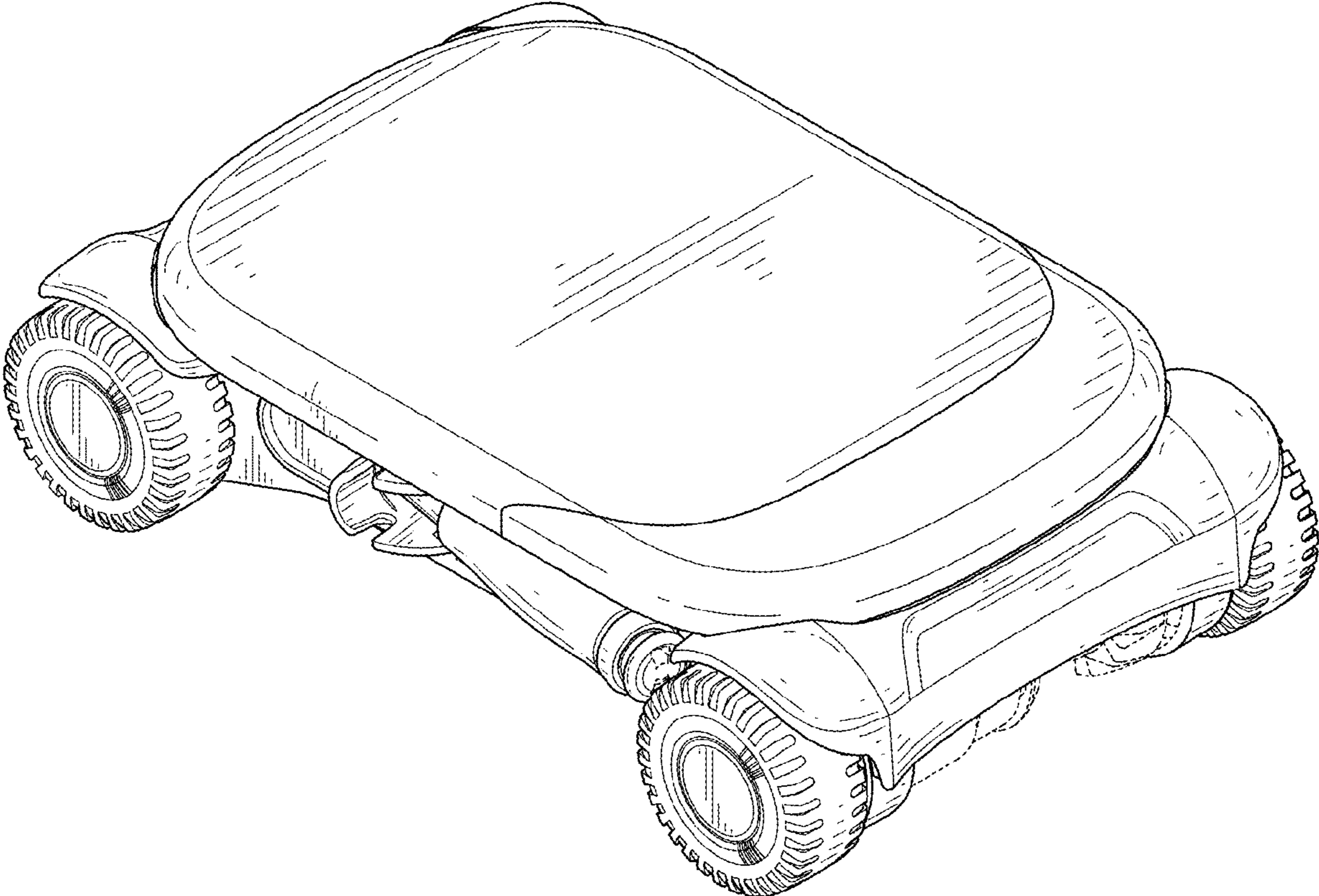


Fig. 1

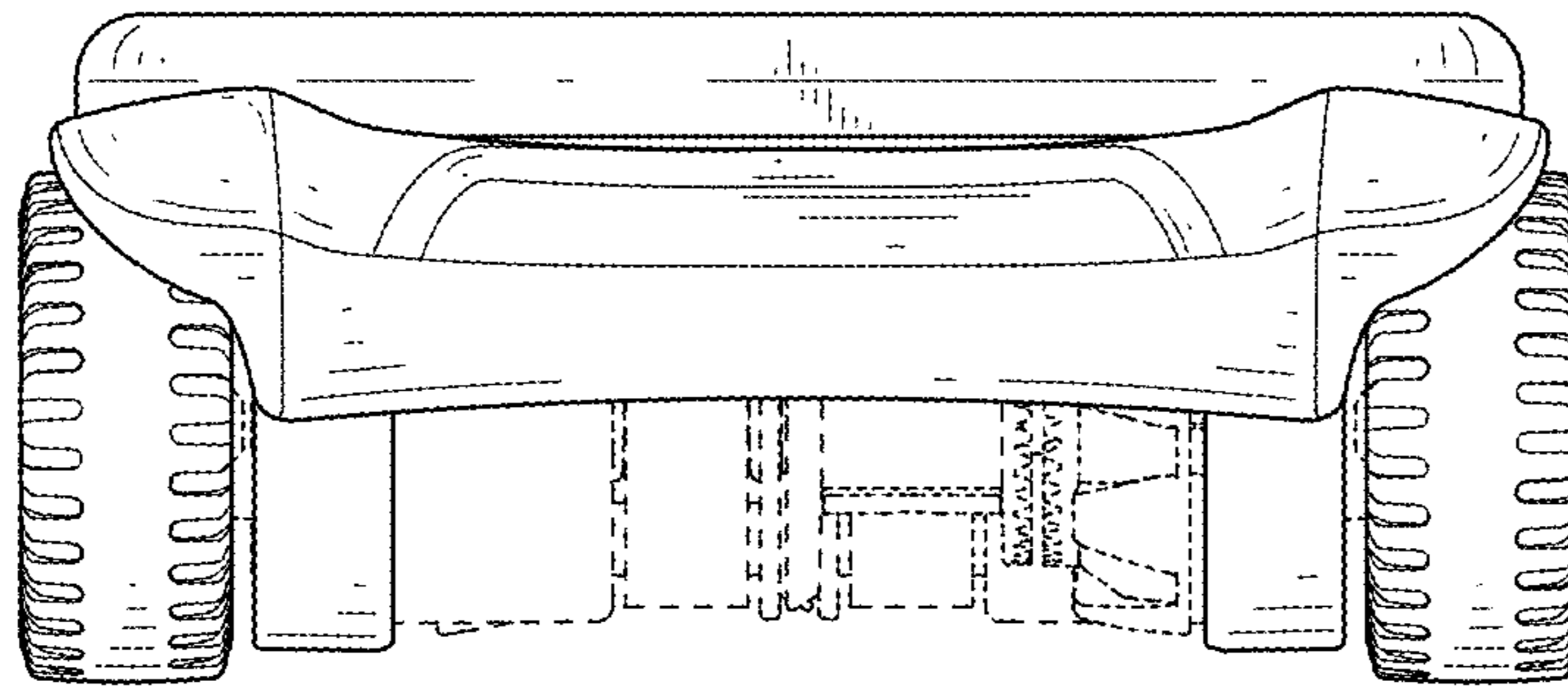


Fig. 2

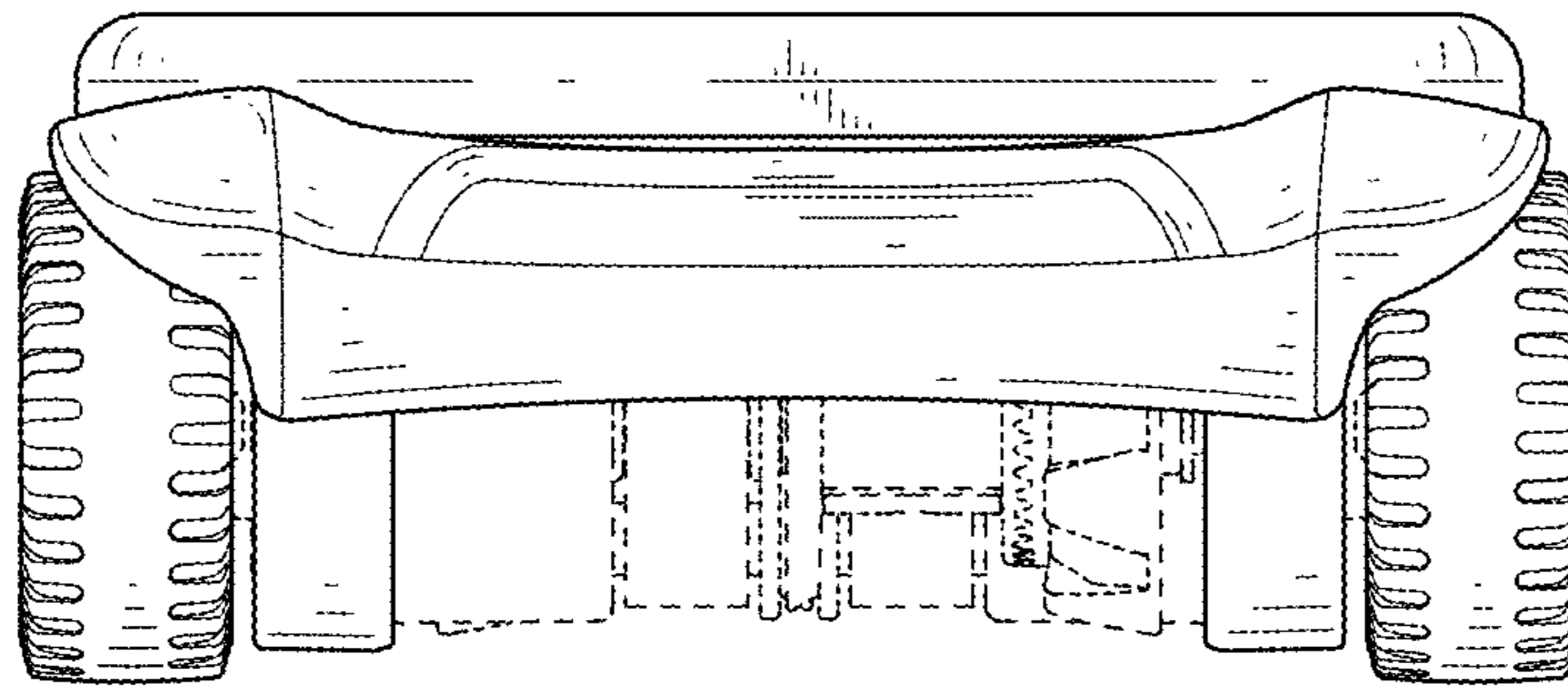


Fig. 3

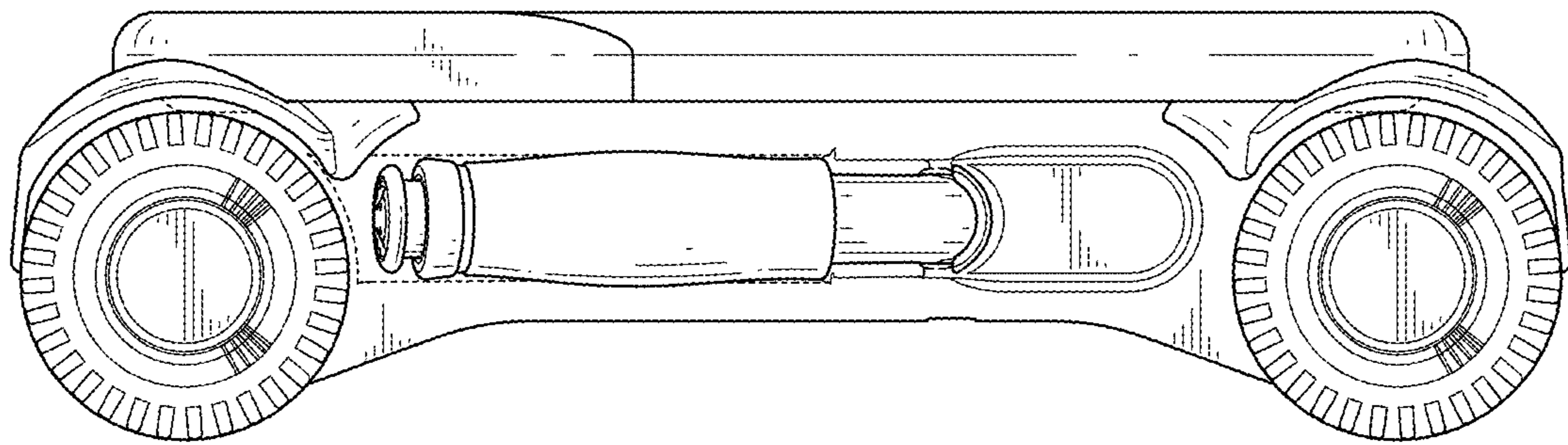


Fig. 4

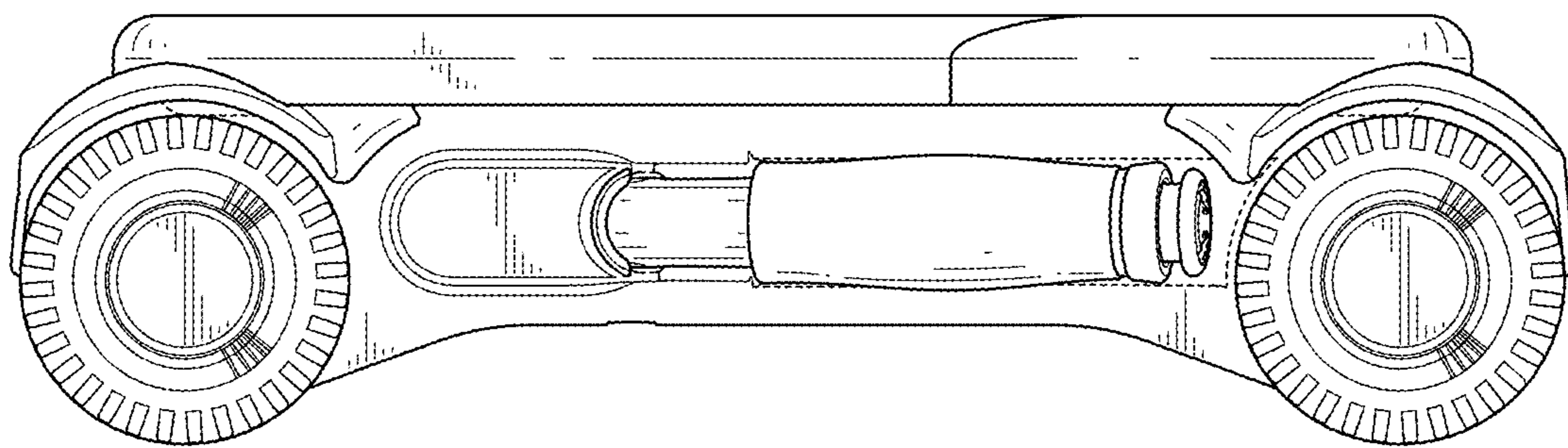


Fig. 5

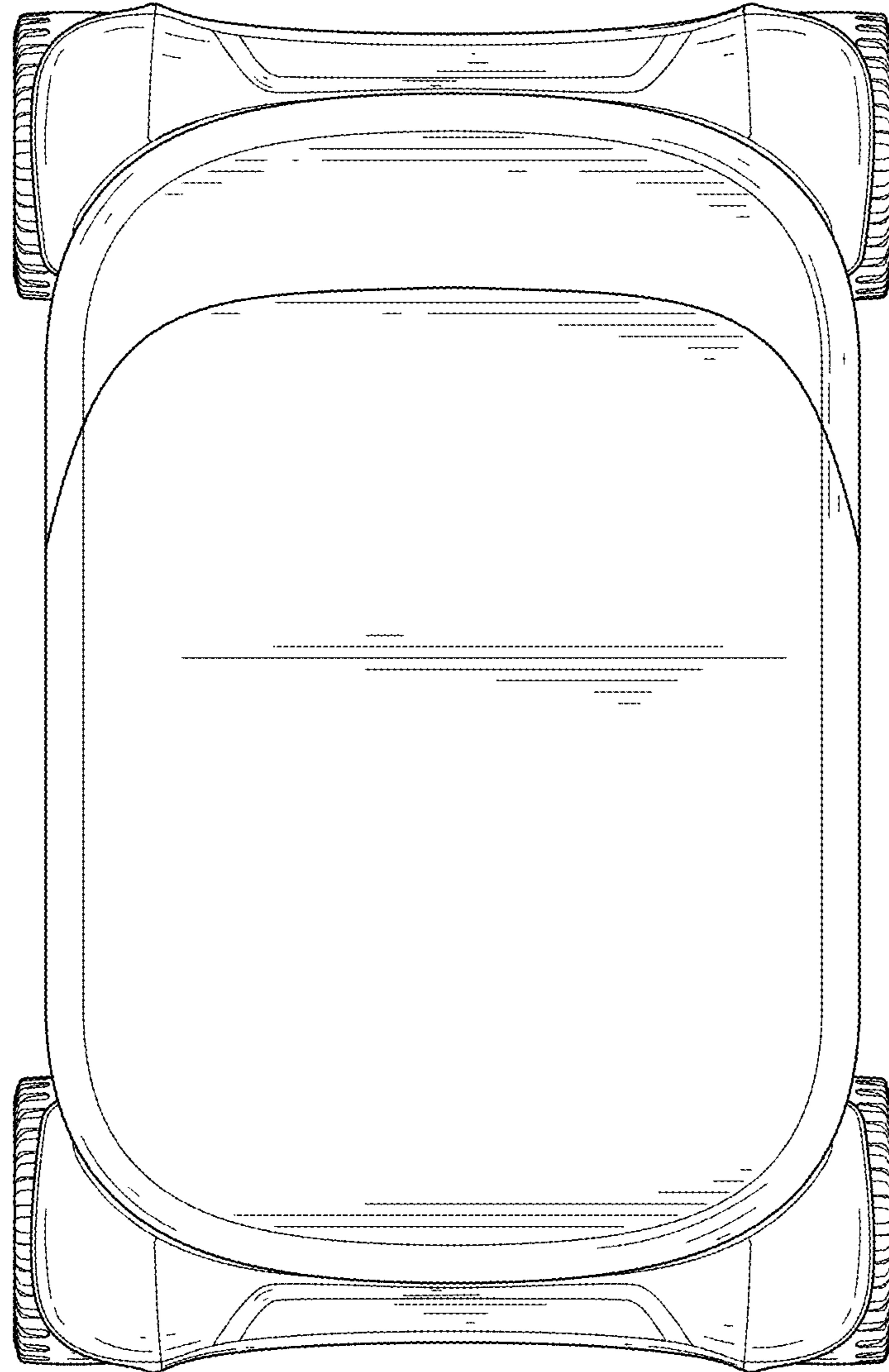


Fig. 6

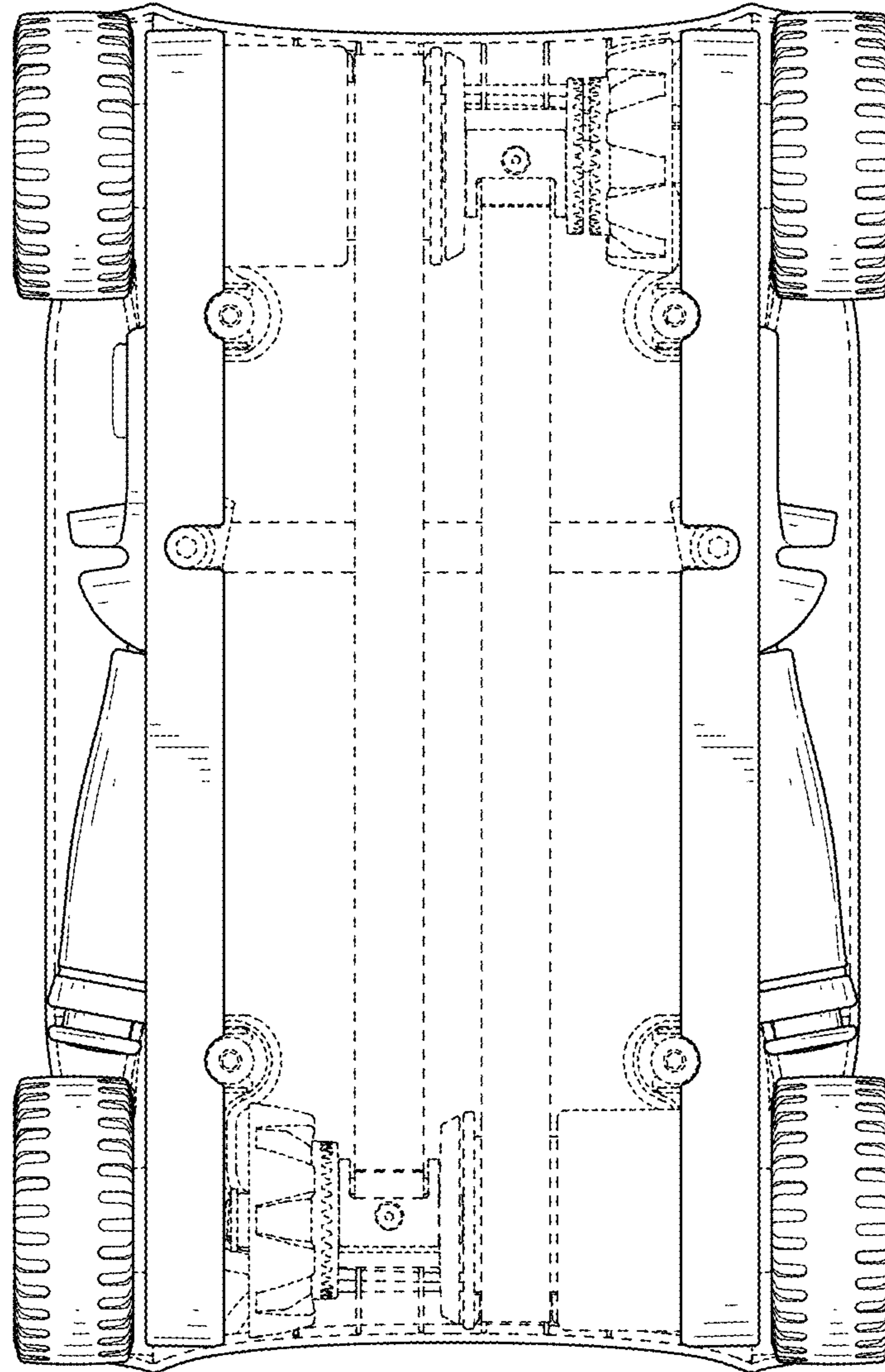


Fig. 7