



US00D981510S

(12) **United States Design Patent** (10) **Patent No.:** **US D981,510 S**  
**Qi** (45) **Date of Patent:** **\*\* Mar. 21, 2023**

(54) **FITNESS EQUIPMENT**

(71) Applicant: **Kai Qi**, Haining (CN)

(72) Inventor: **Kai Qi**, Haining (CN)

(\*\*) Term: **15 Years**

(21) Appl. No.: **29/857,386**

(22) Filed: **Oct. 21, 2022**

(51) **LOC (14) Cl.** ..... **21-02**

(52) **U.S. Cl.**  
USPC ..... **D21/673**

(58) **Field of Classification Search**  
USPC ..... D21/673, 675, 676, 686, 690, 687, 694  
CPC ..... A63B 23/0482; A63B 21/4047; A63B 23/0222; A63B 21/0552; A63B 21/4029; A63B 21/4031

See application file for complete search history.

(56) **References Cited**

**U.S. PATENT DOCUMENTS**

6,468,188	B1 *	10/2002	Koenig	.....	A63B 21/4035
					482/137
D641,436	S *	7/2011	Campitelli	.....	D21/694
D655,357	S *	3/2012	Casey		
D685,867	S *	7/2013	Mehlman	.....	A63B 21/4039
					D21/687
D717,889	S	11/2014	Alessandri		
D778,997	S	2/2017	Xu		
D789,463	S	6/2017	Lagree		
D810,847	S	2/2018	Schlauder		
D820,362	S	6/2018	Citterio		
D827,058	S	8/2018	Lisi		
D837,312	S	1/2019	Lisi		
10,226,665	B2 *	3/2019	Kordecki	.....	A63B 23/0482
10,500,439	B1 *	12/2019	Holman	.....	A63B 21/0628
D933,764	S	10/2021	Modeste		
D973,793	S *	12/2022	Jones	.....	D21/694
2004/0053757	A1 *	3/2004	Chung	.....	A63B 23/0482
					482/140
2009/0176633	A1 *	7/2009	Dlugopolskiy	....	A63B 21/4047
					482/100

2016/0184629	A1 *	6/2016	Hornback	.....	A63B 41/125
					482/130
2017/0056708	A1 *	3/2017	Kelly	.....	A63B 23/0233
2017/0239518	A1 *	8/2017	Porteros De Luz	.....	A63B 23/0222
2017/0304677	A1 *	10/2017	Clinton	.....	A63B 21/4047

(Continued)

**OTHER PUBLICATIONS**

Nautilus by Nautilus/CORE dated Sep. 4, 2018. Found online [Dec. 27, 2022] [https://www.amazon.com/Nautilus-CORE-Glute-Drive/dp/B07H3CLB3Q/ref=sr\\_1\\_6?crd=1OCFZ7RCNTRR&keywords=glute+bridge+machine&qid=1672166926&srefix=glute+bridge+machine%2Caps%2C125&sr=8-6](https://www.amazon.com/Nautilus-CORE-Glute-Drive/dp/B07H3CLB3Q/ref=sr_1_6?crd=1OCFZ7RCNTRR&keywords=glute+bridge+machine&qid=1672166926&srefix=glute+bridge+machine%2Caps%2C125&sr=8-6) (Year: 2018).\*

(Continued)

*Primary Examiner* — Ryan Harvey

(74) *Attorney, Agent, or Firm* — Rumit Ranjit Kanakia

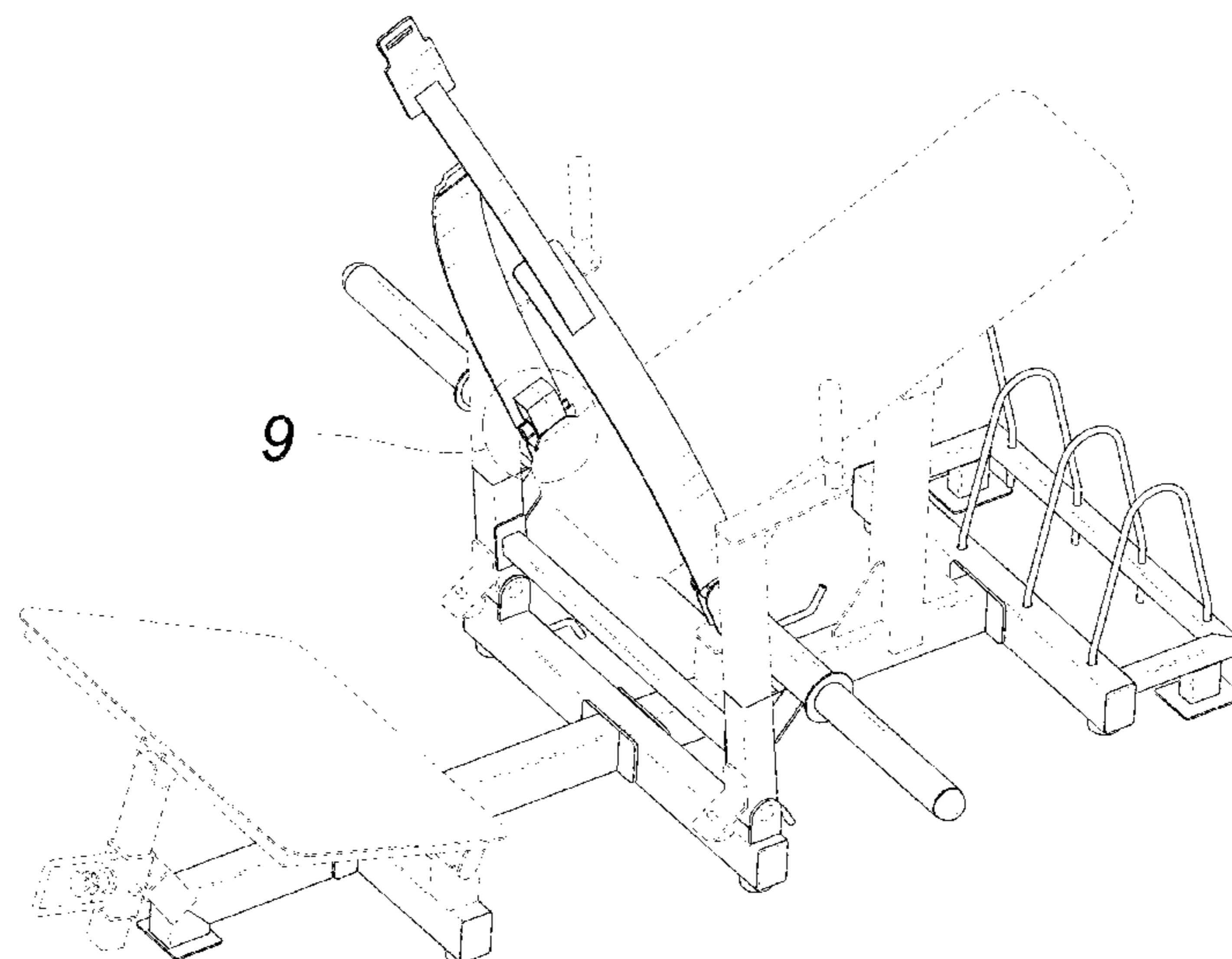
(57) **CLAIM**

The ornamental design for a fitness equipment, as shown and described.

**DESCRIPTION**

FIG. 1 is a top perspective view of a fitness equipment, showing my new design;  
FIG. 2 is a bottom perspective view thereof;  
FIG. 3 is a front elevational view thereof;  
FIG. 4 is a rear elevational view thereof;  
FIG. 5 is a left side view thereof;  
FIG. 6 is a right side view thereof;  
FIG. 7 is a top plan view thereof;  
FIG. 8 is a bottom plan view thereof;  
FIG. 9 is a partial enlarged view of FIG. 1;  
FIG. 10 is a partial enlarged view of FIG. 5; and,  
FIG. 11 is a partial enlarged view of FIG. 6.  
The broken lines in the figures are for the purposes of illustrating portions of the fitness equipment, which form no part of the claimed design.

**1 Claim, 10 Drawing Sheets**



(56)

**References Cited**

U.S. PATENT DOCUMENTS

2018/0001131 A1\* 1/2018 Nevarez, Jr. .... A63B 21/068  
2018/0008857 A1\* 1/2018 Barber ..... A63B 21/0428  
2019/0111302 A1\* 4/2019 Ballestero ..... A63B 21/00061  
2020/0086171 A1\* 3/2020 Meredith ..... A63B 21/151  
2020/0338391 A1\* 10/2020 Hall ..... A63B 21/0724  
2022/0001235 A1\* 1/2022 Meredith ..... A63B 23/0482  
2022/0047910 A1\* 2/2022 Beck ..... A63B 21/0552  
2022/0273983 A1\* 9/2022 Meredith ..... A63B 21/0615

OTHER PUBLICATIONS

French by French Fitness dated Jun. 17, 2022. Found online [Dec. 27, 2022] <https://tinyurl.com/bduv5snj> (Year: 2022).\*

Signature by Signature Fitness dated Mar. 1, 2022. Found online [Dec. 27, 2022] <https://tinyurl.com/8j379y9h> (Year: 2022).\*

Fitness Equipment; GMWD Glute Bridge Machine, Heavy Duty Plate-Loaded Hip Thrust Machine for Glute Muscles Shaping, amazon.com, Oct. 21, 2022, <https://www.amazon.com/dp/B0BHSLQSTW?th=1> (Last accessed: Oct. 21, 2022).

\* cited by examiner

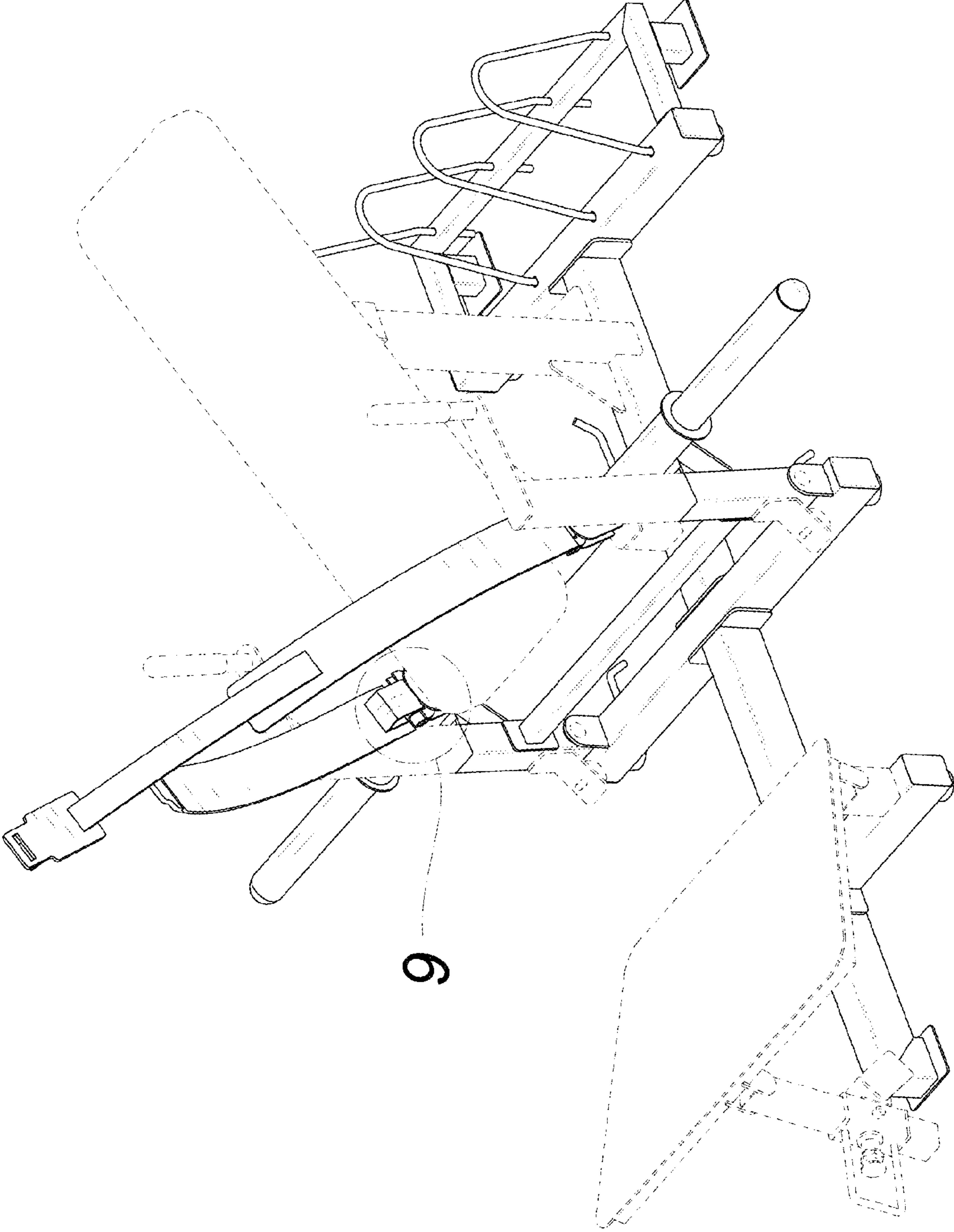


FIG. 1

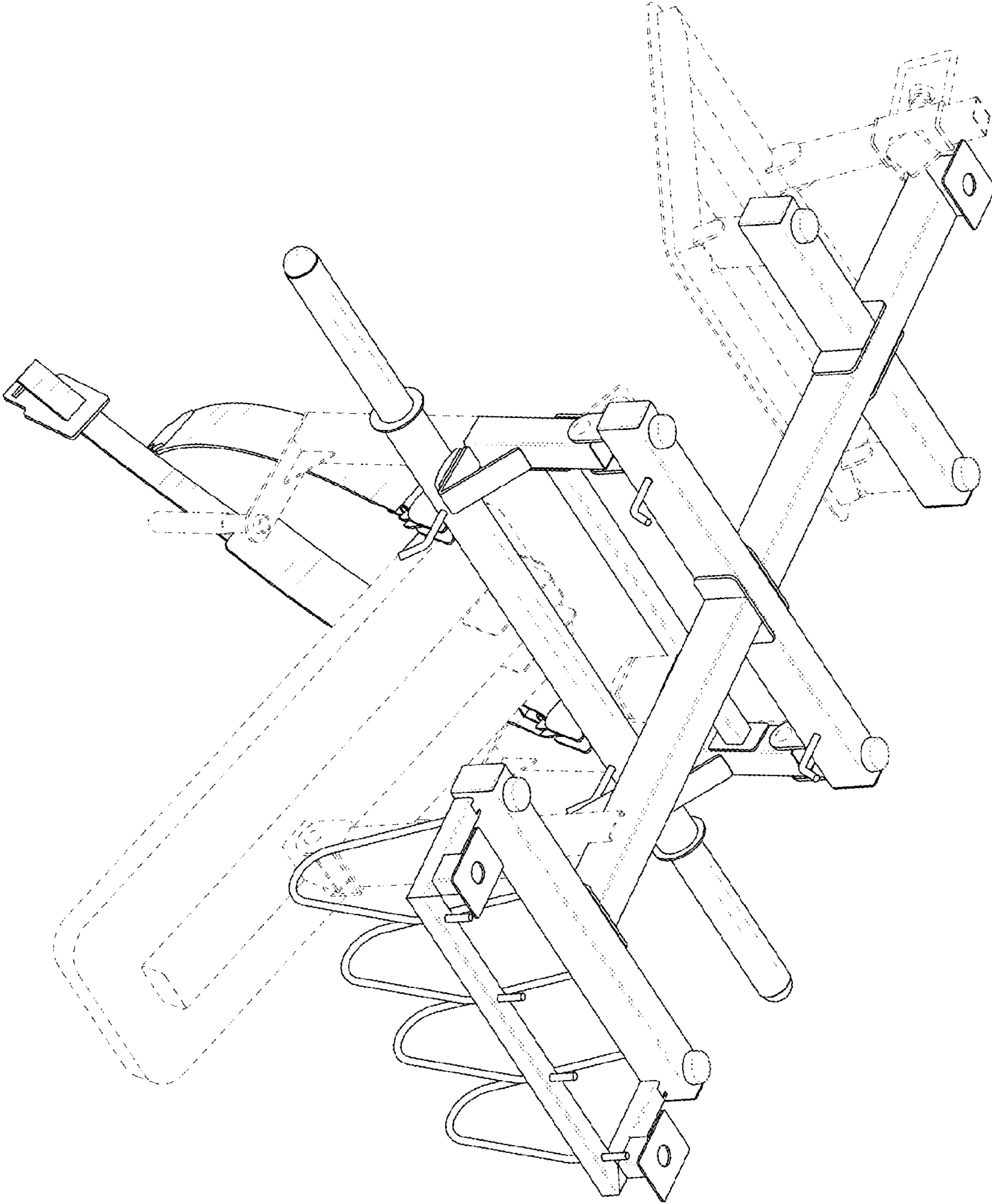


FIG. 2



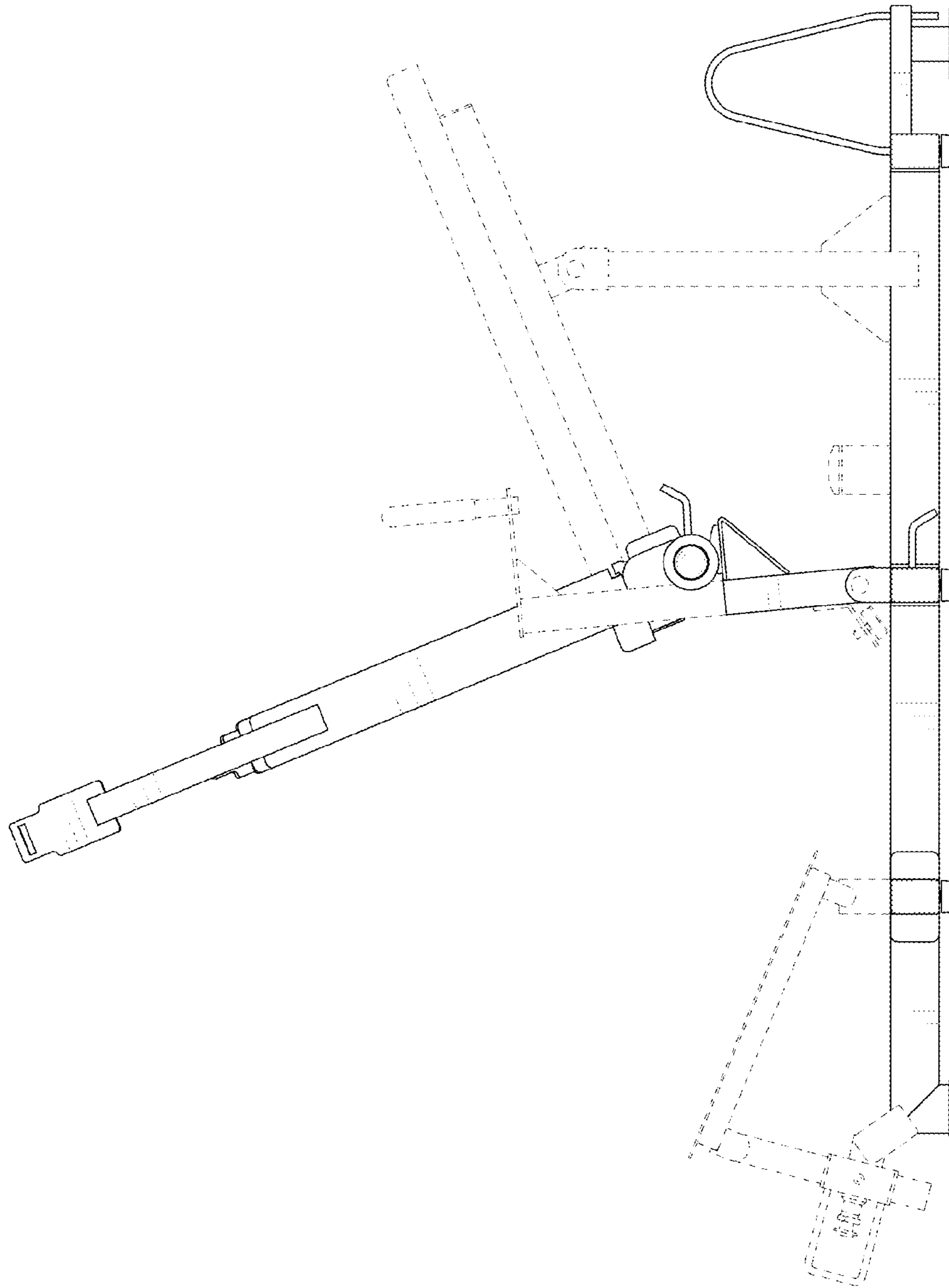


FIG. 3

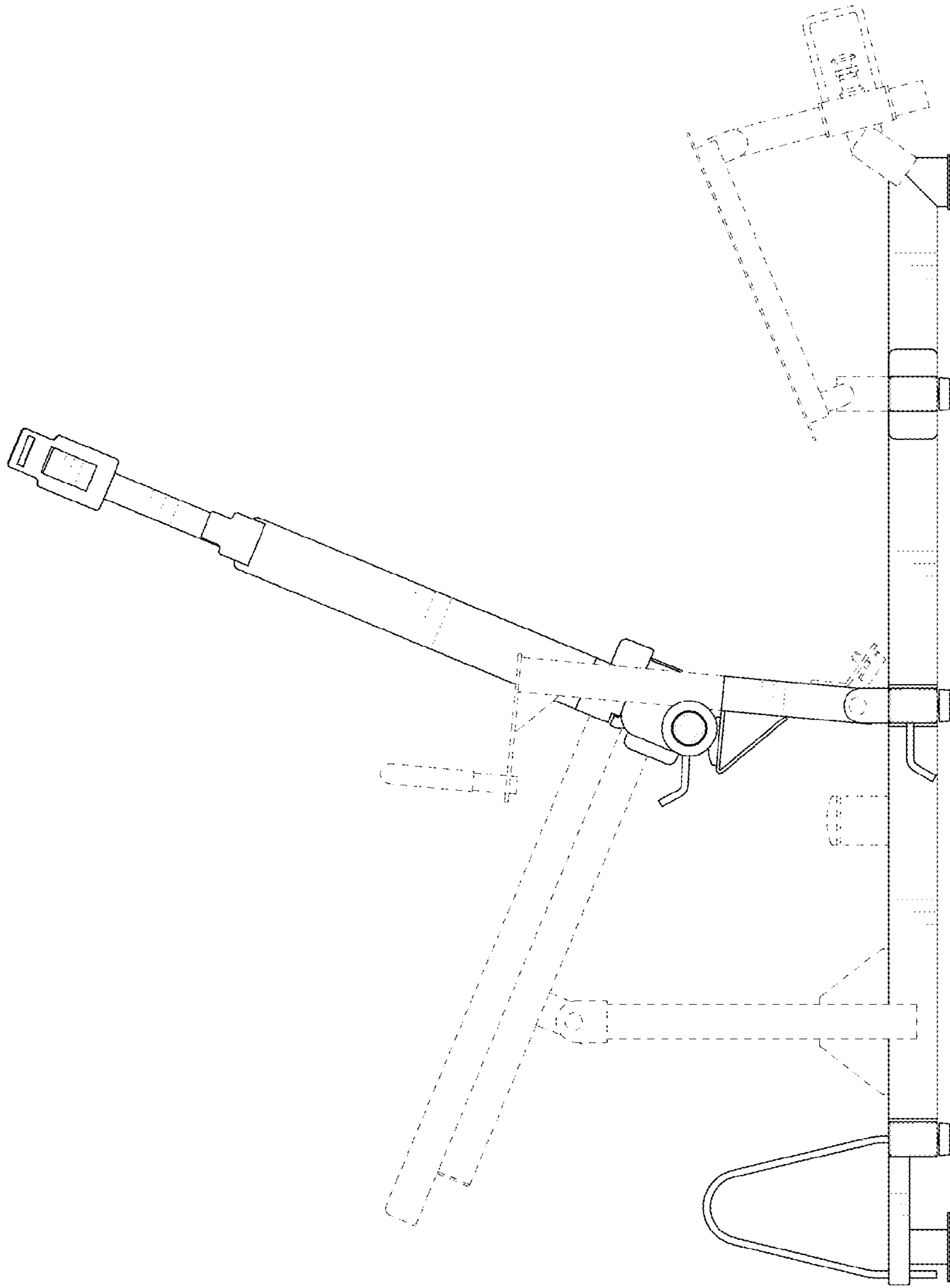
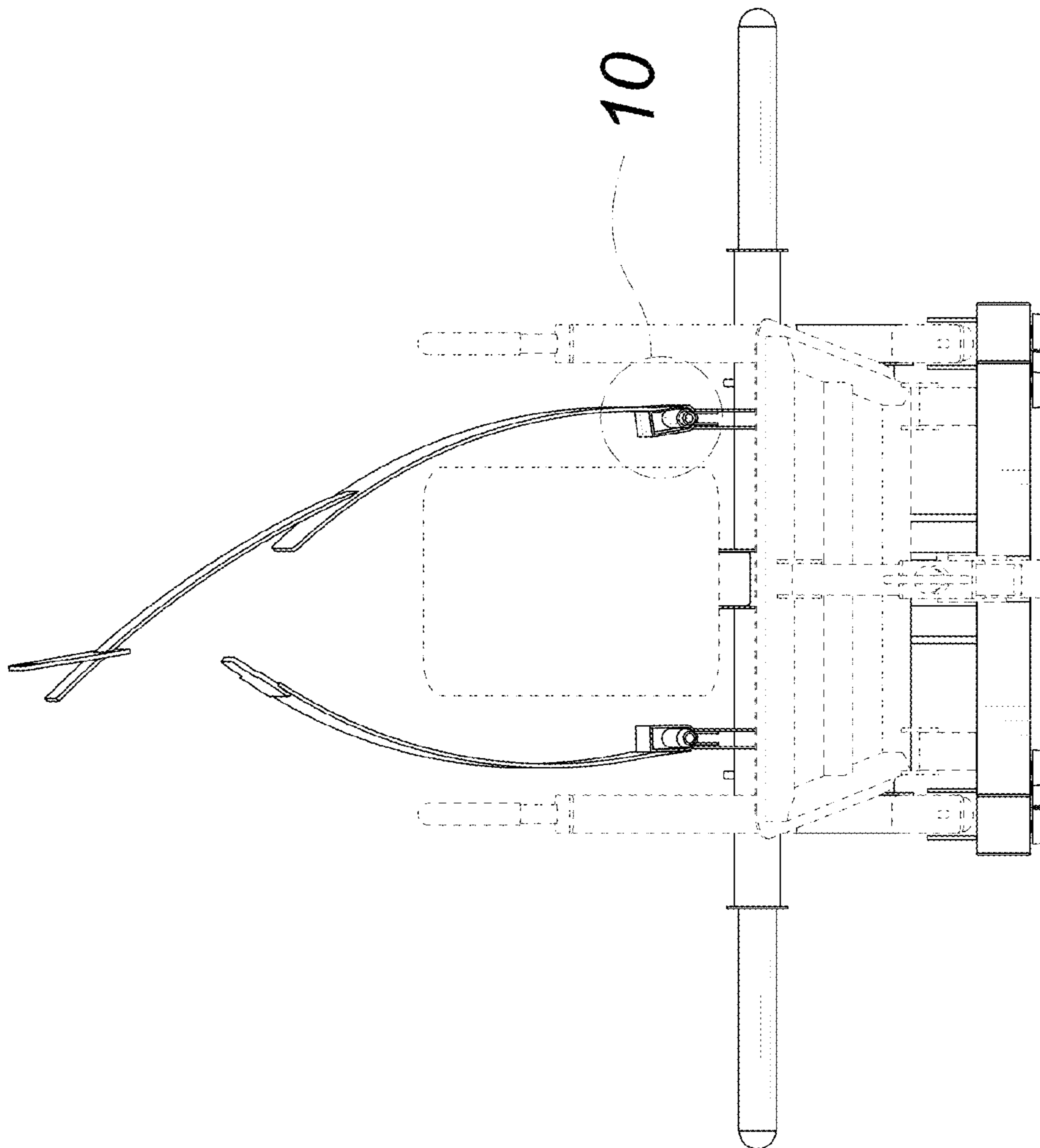


FIG. 4



**FIG. 5**

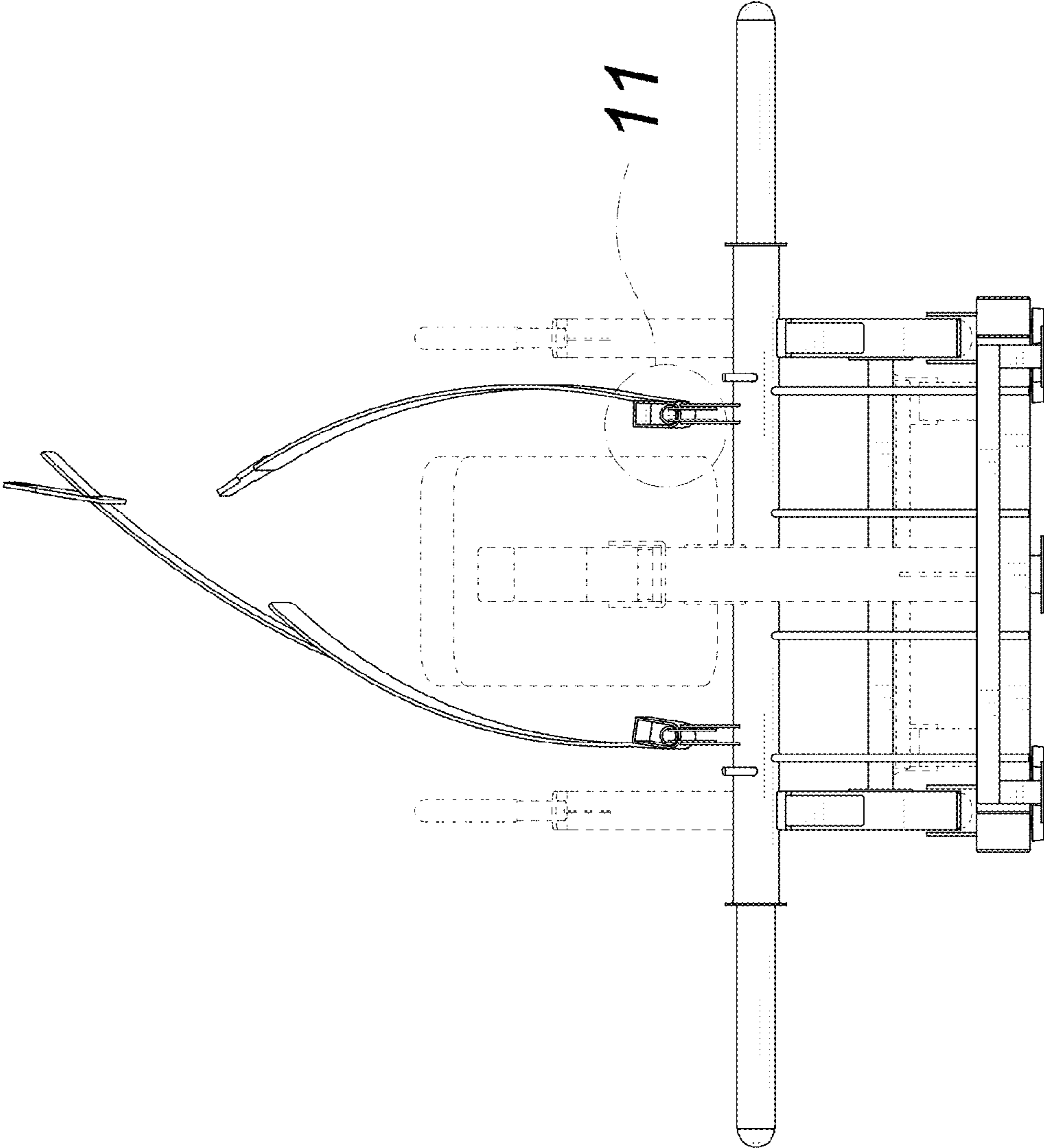


FIG. 6



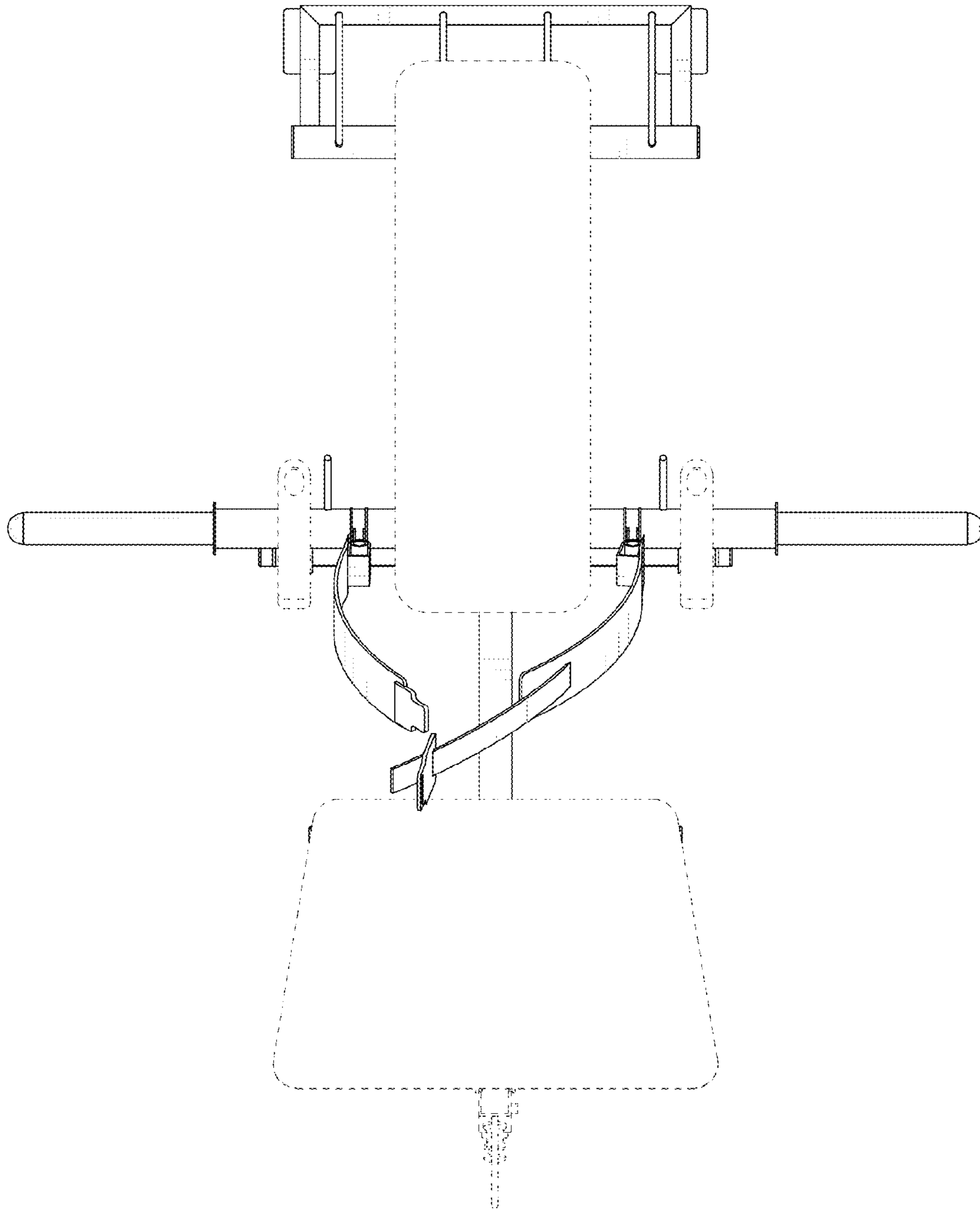
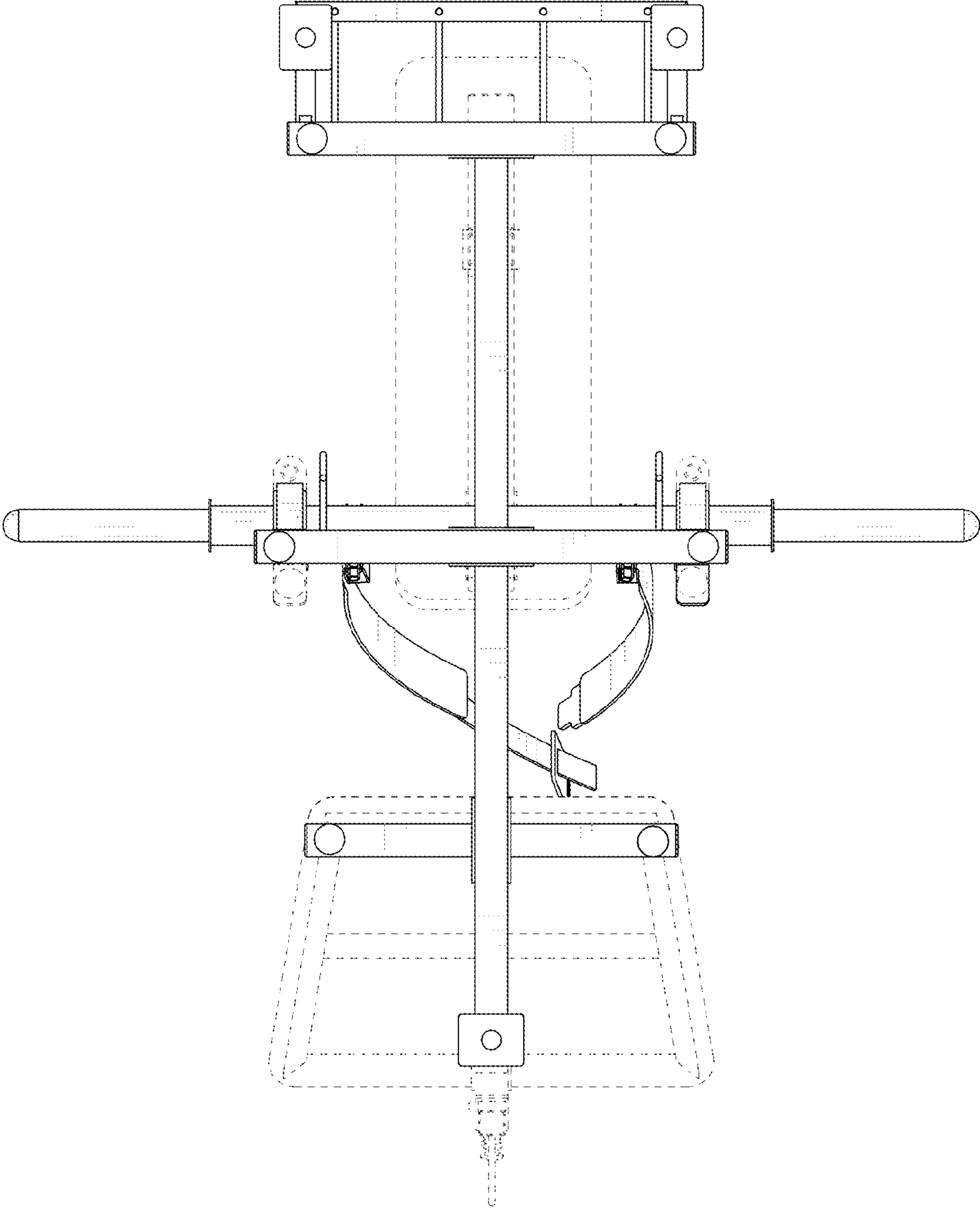
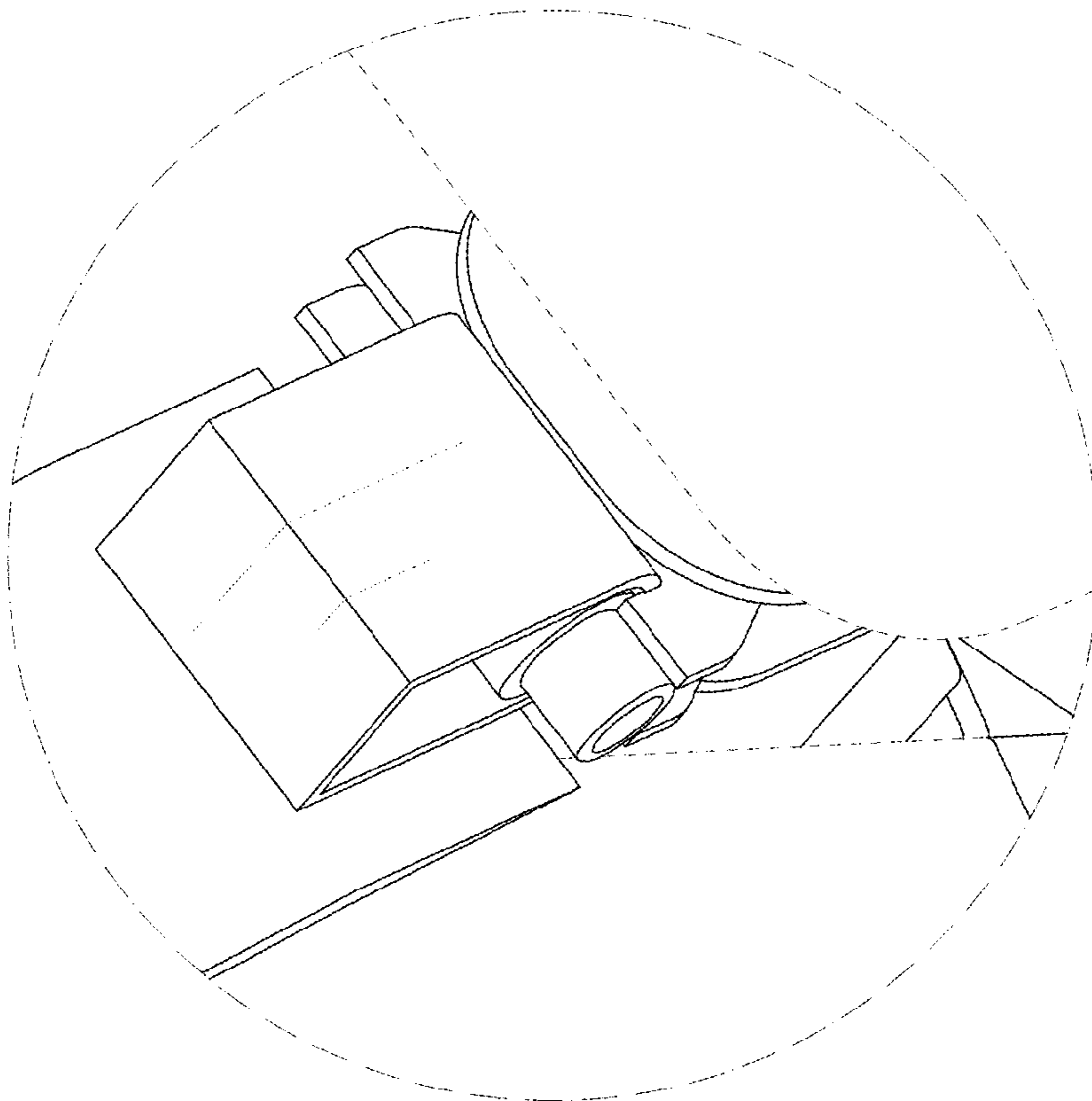


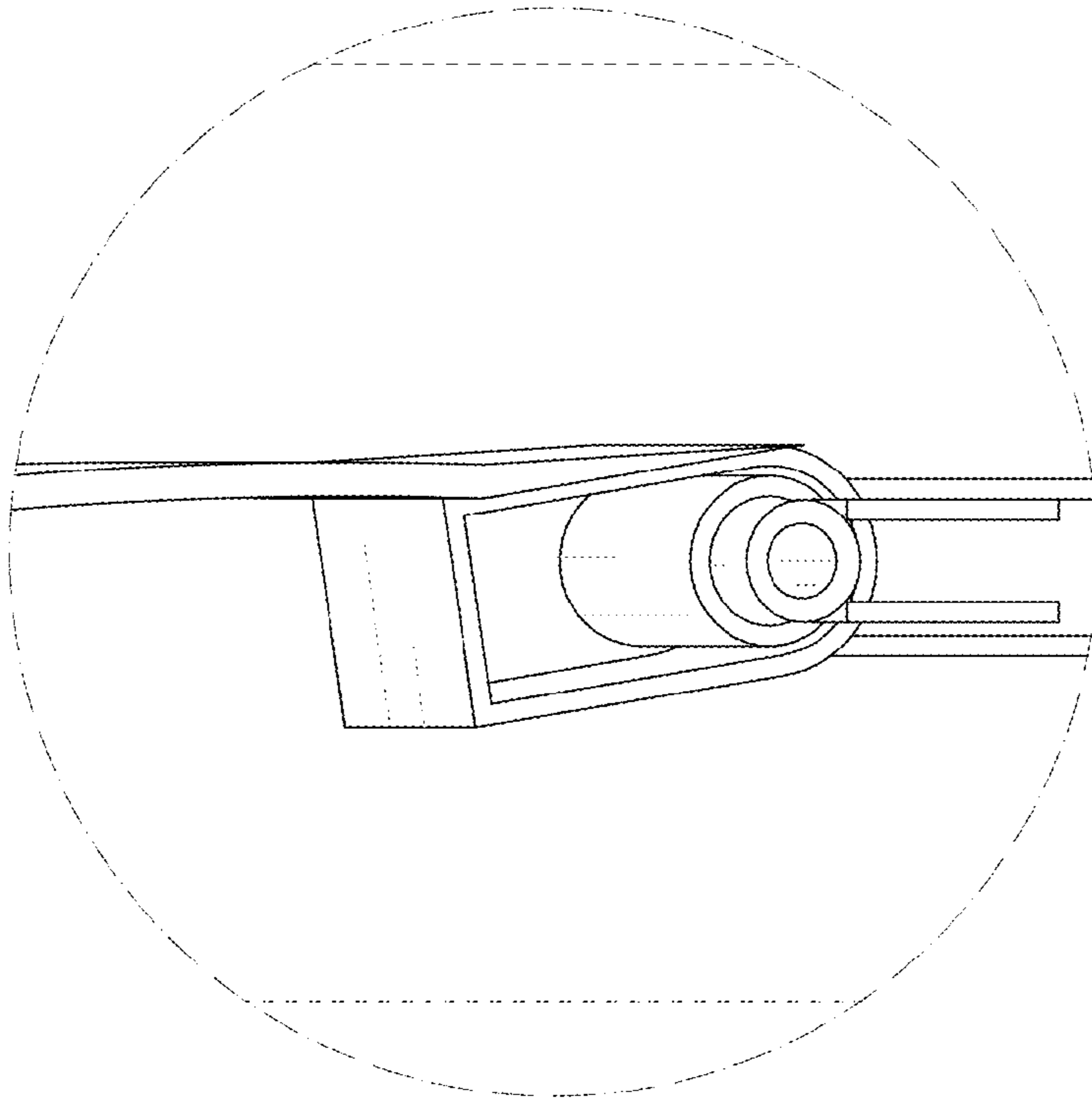
FIG. 7



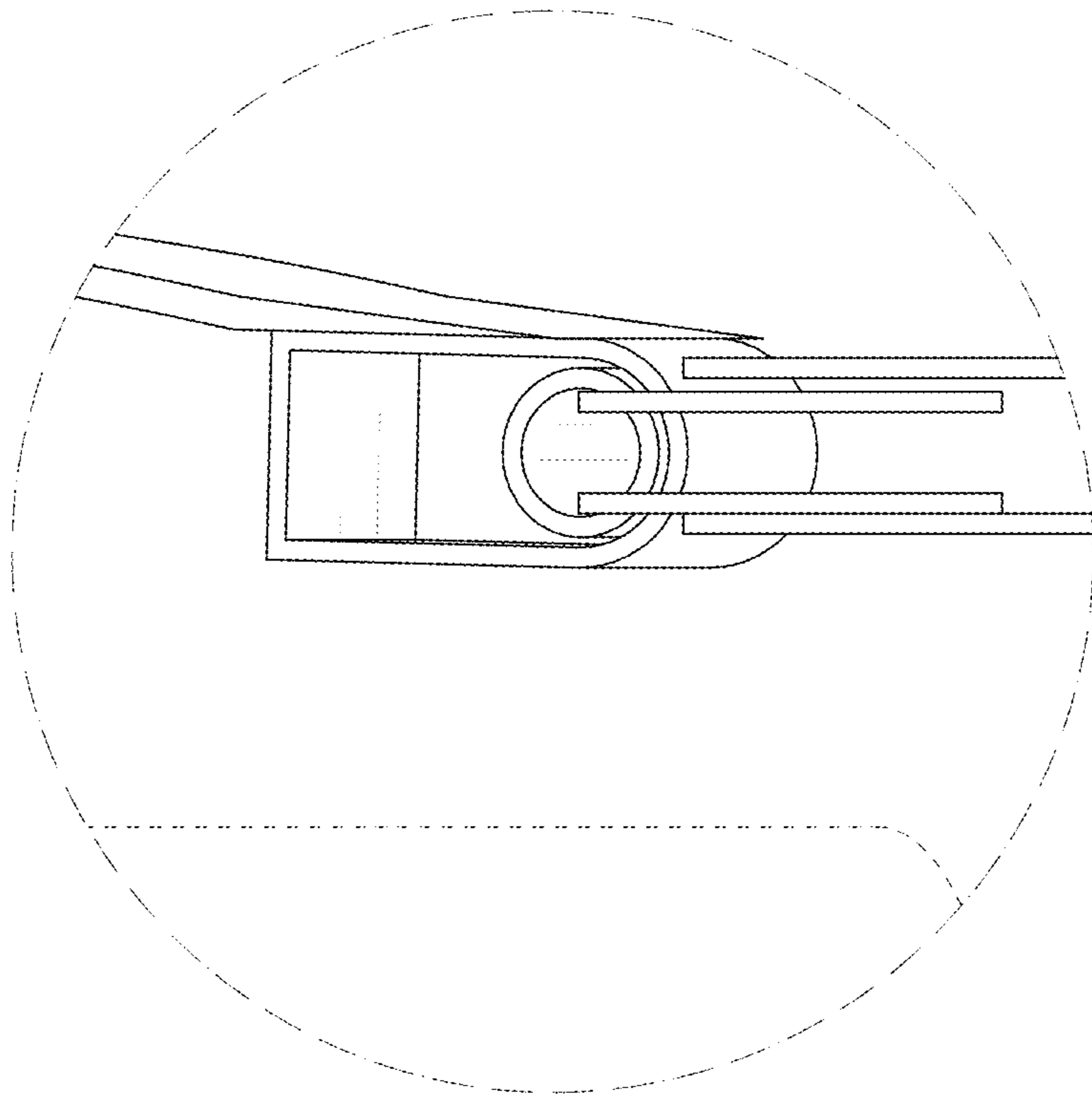
**FIG. 8**



**FIG. 9**



**FIG. 10**



**FIG. 11**