



US00D981509S

(12) **United States Design Patent** (10) **Patent No.:** **US D981,509 S**  
**Qi** (45) **Date of Patent:** **\*\* Mar. 21, 2023**

(54) **STRENGTH TRAINING EQUIPMENT**

(71) Applicant: **Kai Qi**, Haining (CN)

(72) Inventor: **Kai Qi**, Haining (CN)

(\*\*) Term: **15 Years**

(21) Appl. No.: **29/857,381**

(22) Filed: **Oct. 21, 2022**

(51) **LOC (14) Cl.** ..... **21-02**

(52) **U.S. Cl.**  
USPC ..... **D21/673**

(58) **Field of Classification Search**  
USPC ..... D21/686, 690, 691, 694, 662, 673, 675,  
D21/676; 482/103, 104, 130, 133, 142,  
482/94, 97  
CPC ..... A63B 21/0628; A63B 21/078; A63B  
21/0783; A63B 21/154; A63B 21/156;  
A63B 23/1218

See application file for complete search history.

(56) **References Cited**

**U.S. PATENT DOCUMENTS**

D440,611 S	4/2001	Batca	
D490,128 S	5/2004	Giannelli	
D550,791 S *	9/2007	Rogers	D21/694
D667,901 S	9/2012	Garcia Chavez	
D697,988 S	1/2014	Januszek	
D735,820 S *	8/2015	Alenaddaf	D21/686
D735,821 S *	8/2015	Alenaddaf	D21/686
D746,388 S	12/2015	Hockridge	
D800,853 S	10/2017	Martens	
D807,447 S	1/2018	Meredith	
D808,475 S	1/2018	Meredith	
D939,647 S	12/2021	Huang	
D952,077 S	5/2022	Horita	
D970,656 S *	11/2022	Gong	D21/686
D973,155 S *	12/2022	Gong	D21/673
2007/0155595 A1 *	7/2007	Rogers	A63B 21/08 482/97
2007/0155596 A1 *	7/2007	Rogers	A63B 21/0615 482/97

(Continued)

**OTHER PUBLICATIONS**

Strength Training Equipment,ER KANG Power Cage, Power Rack with LAT Pulldown Pulley System, Weight Cage with Cable Cross-over, Multi-Function Workout Squat Rack Cage for Home Gym(Power Cage Only), amazon.com, Sep. 26, 2022, [https://www.amazon.com/dp/B0B6BVS524/ref=twister\\_B0BJDWPMFT?\\_encoding=UTF8&th=1](https://www.amazon.com/dp/B0B6BVS524/ref=twister_B0BJDWPMFT?_encoding=UTF8&th=1) (Last accessed: Oct. 21, 2022).

*Primary Examiner* — Ryan Harvey

(74) *Attorney, Agent, or Firm* — Rumit Ranjit Kanakia

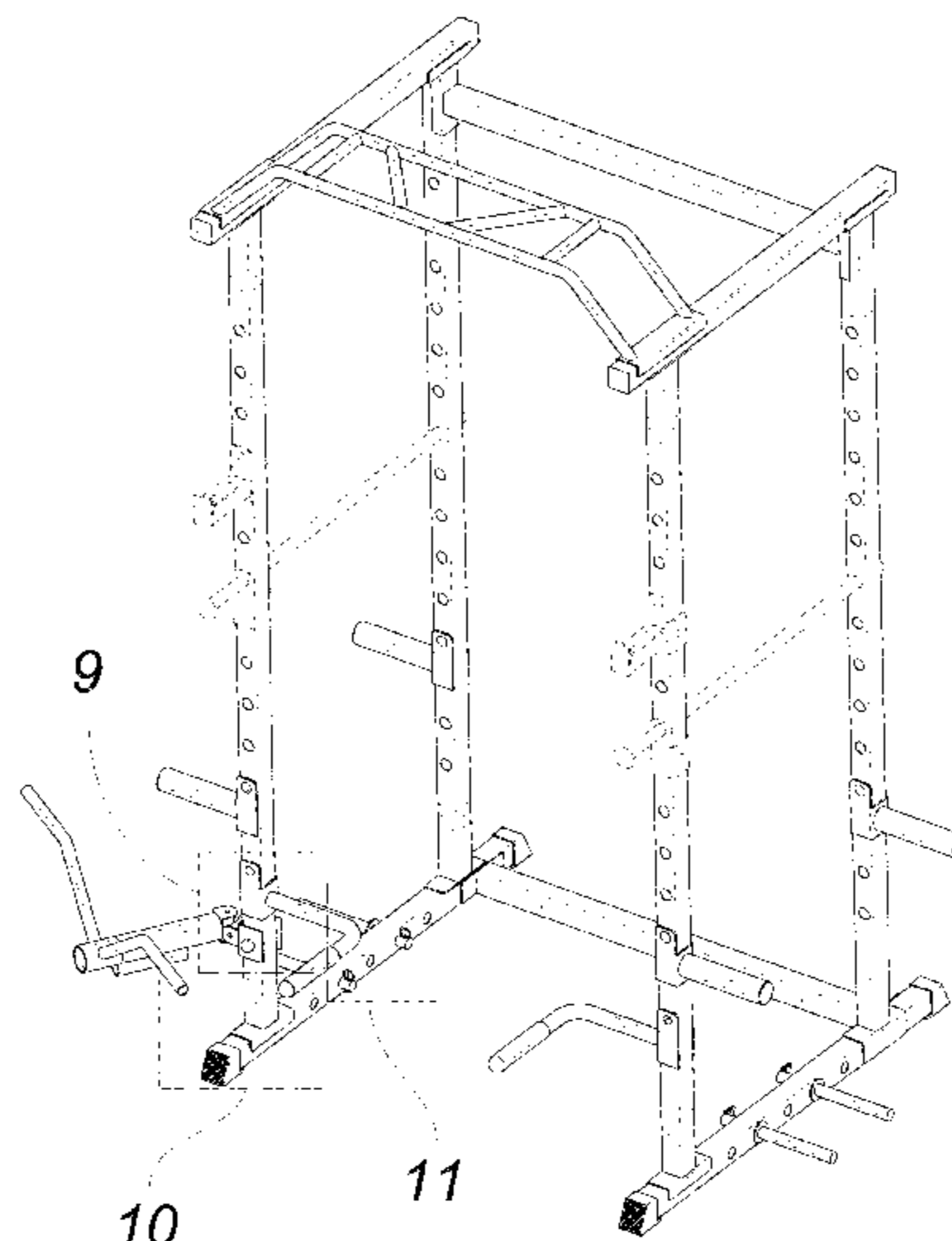
(57) **CLAIM**

The ornamental design for a strength training equipment, as shown and described.

**DESCRIPTION**

FIG. 1 is a front perspective view of a strength training equipment showing my new design; FIG. 2 is rear perspective view thereof; FIG. 3 is a front elevational view thereof; FIG. 4 is a rear elevational view thereof; FIG. 5 is a left side view thereof; FIG. 6 is a right side view thereof; FIG. 7 is a top plan view thereof; FIG. 8 is a bottom plan view thereof; FIG. 9 is a partial enlarged view of FIG. 1; FIG. 10 is a partial enlarged view of FIG. 1; FIG. 11 is a partial enlarged view of FIG. 1; FIG. 12 is a partial enlarged view of FIG. 2; FIG. 13 is a partial enlarged view of FIG. 2; FIG. 14 is a partial enlarged view of FIG. 3; and, FIG. 15 is a partial enlarged view of FIG. 7. The broken lines in the figures are for the purposes of illustrating portions of the strength training equipment, which form no part of the claimed design.

**1 Claim, 12 Drawing Sheets**



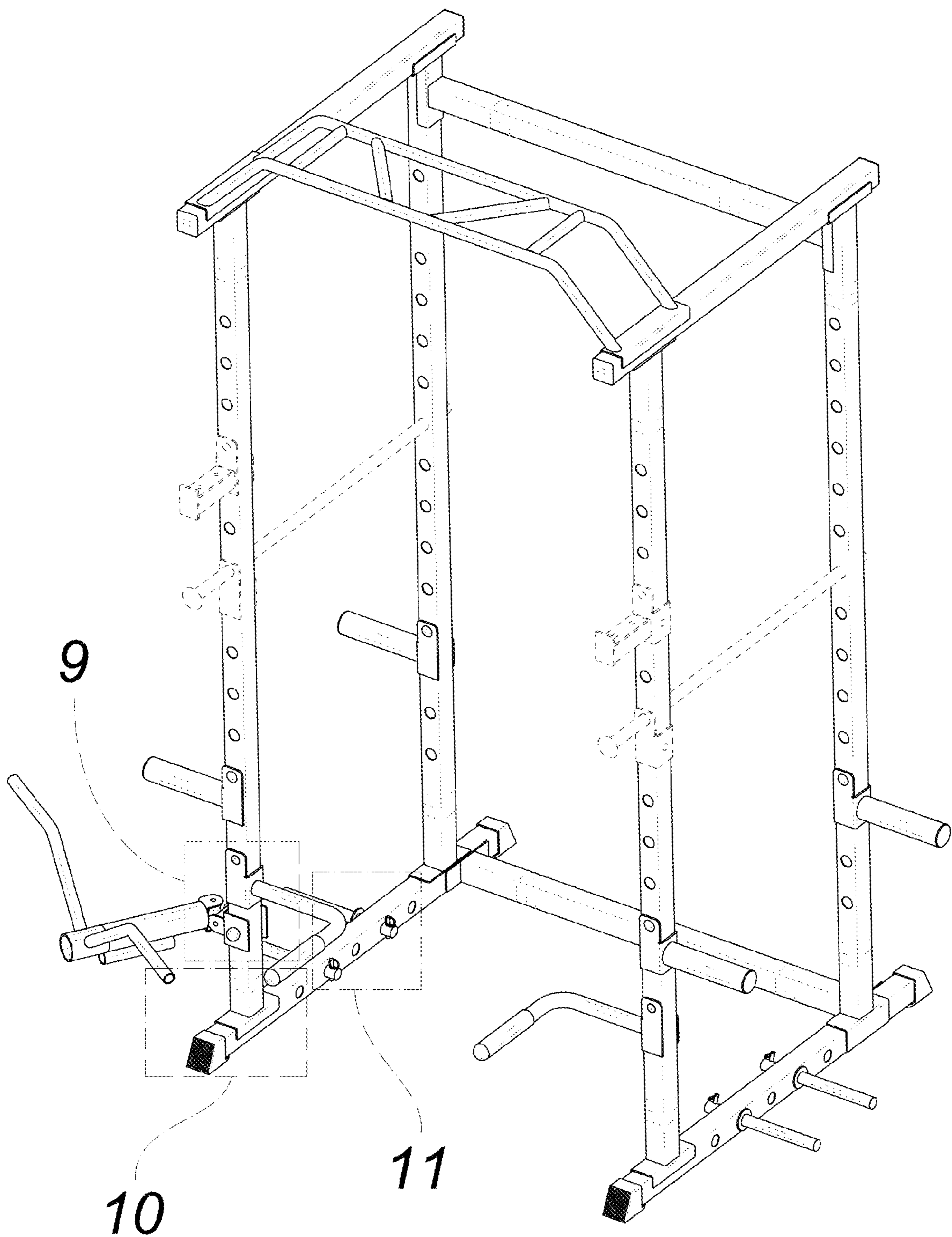
(56)

**References Cited**

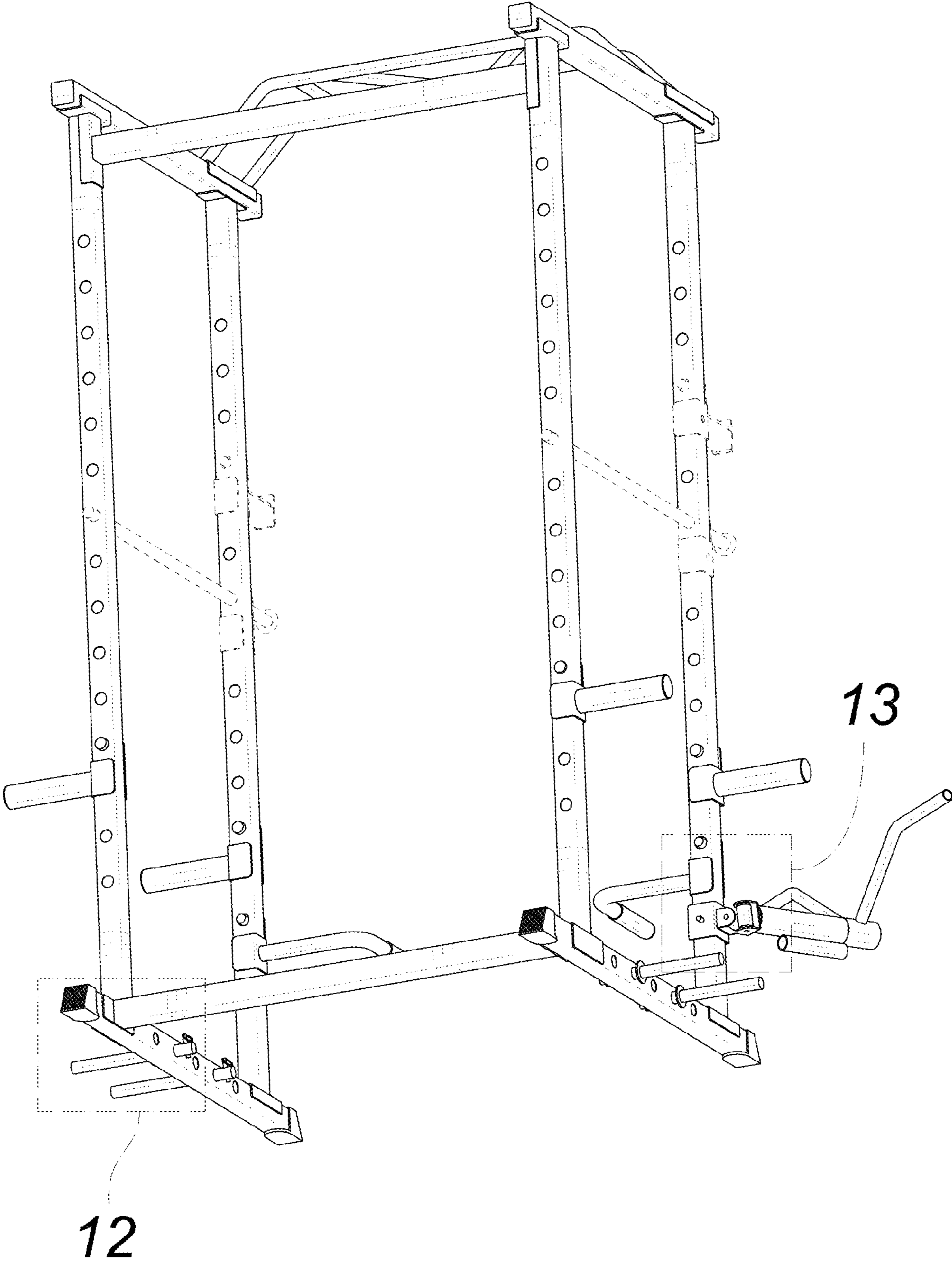
U.S. PATENT DOCUMENTS

2014/0087928 A1\* 3/2014 Luedeka ..... A63B 21/4023  
482/130  
2015/0016919 A1\* 1/2015 Tambornino ..... F16B 35/06  
411/366.1  
2015/0076092 A1\* 3/2015 Tambornino ..... A63B 21/078  
211/85.7

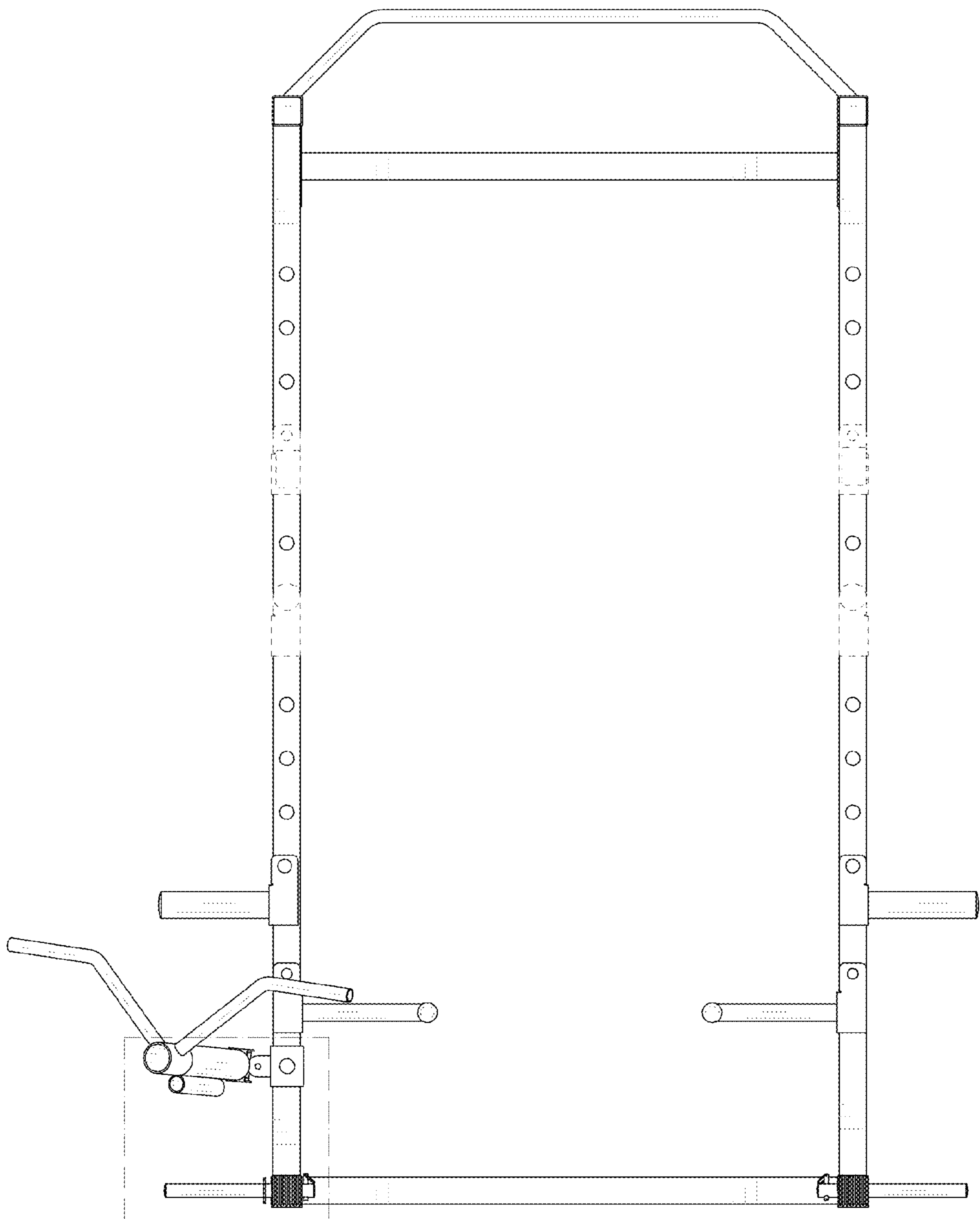
\* cited by examiner



**FIG. 1**



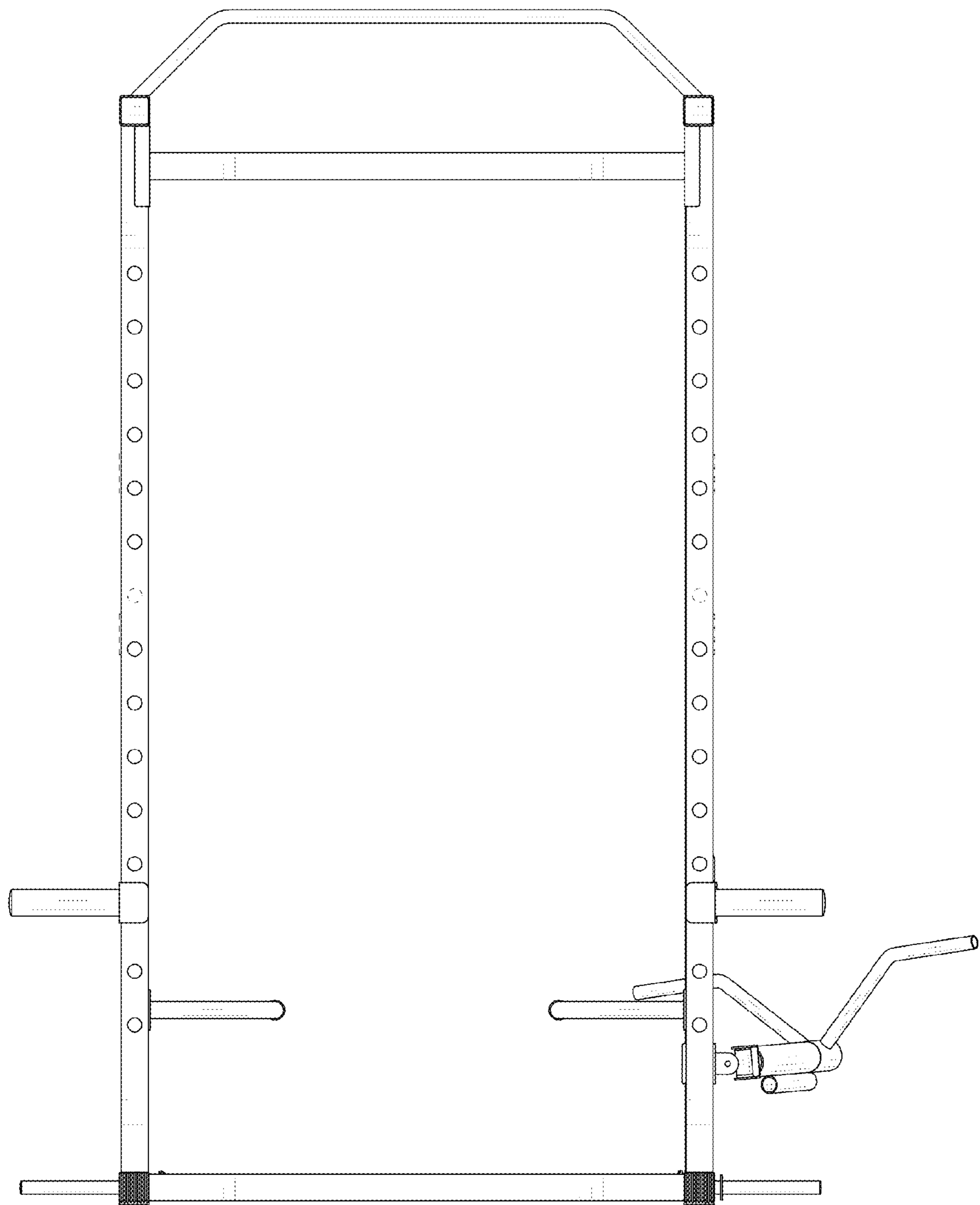
**FIG. 2**



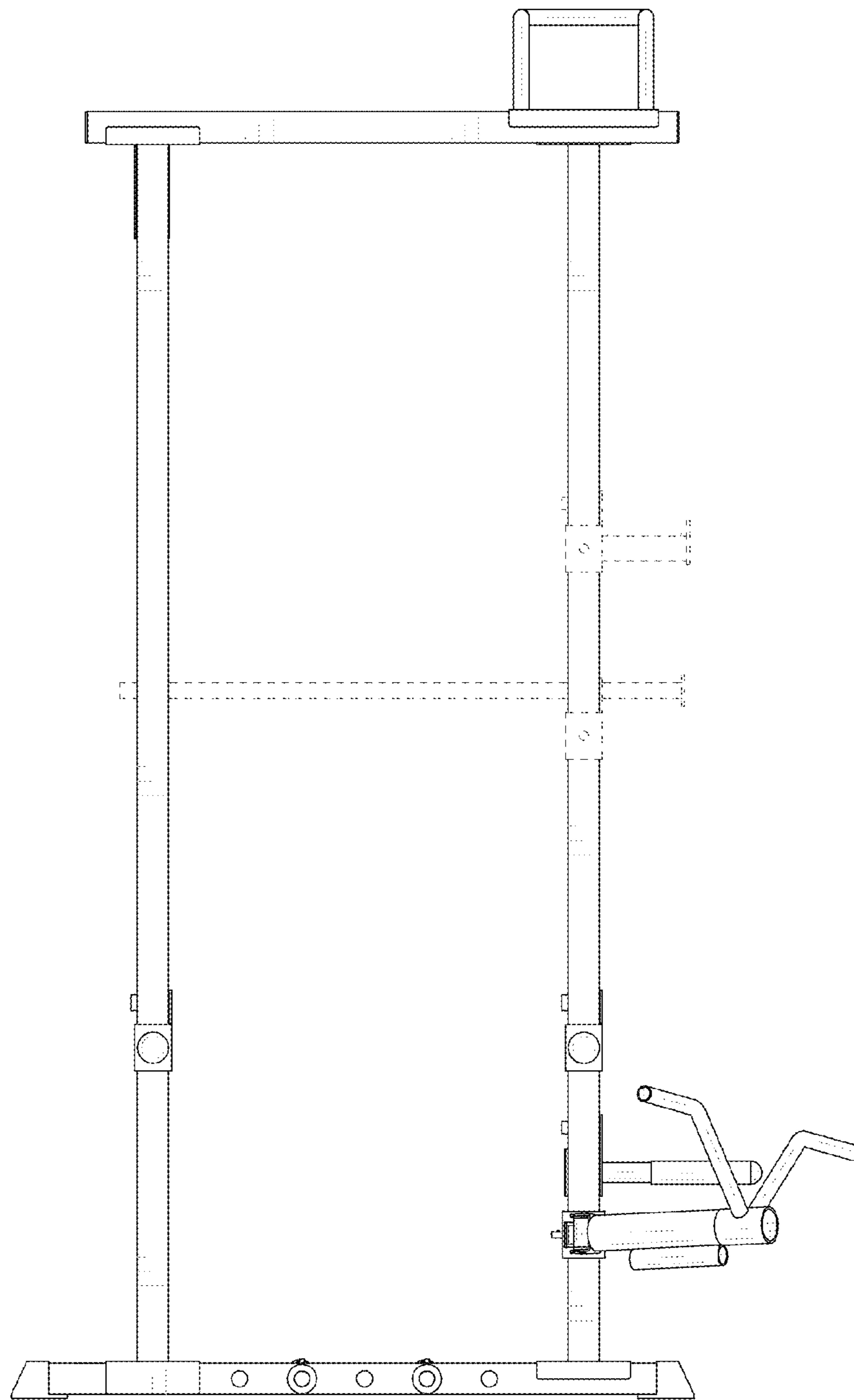
14

FIG. 3

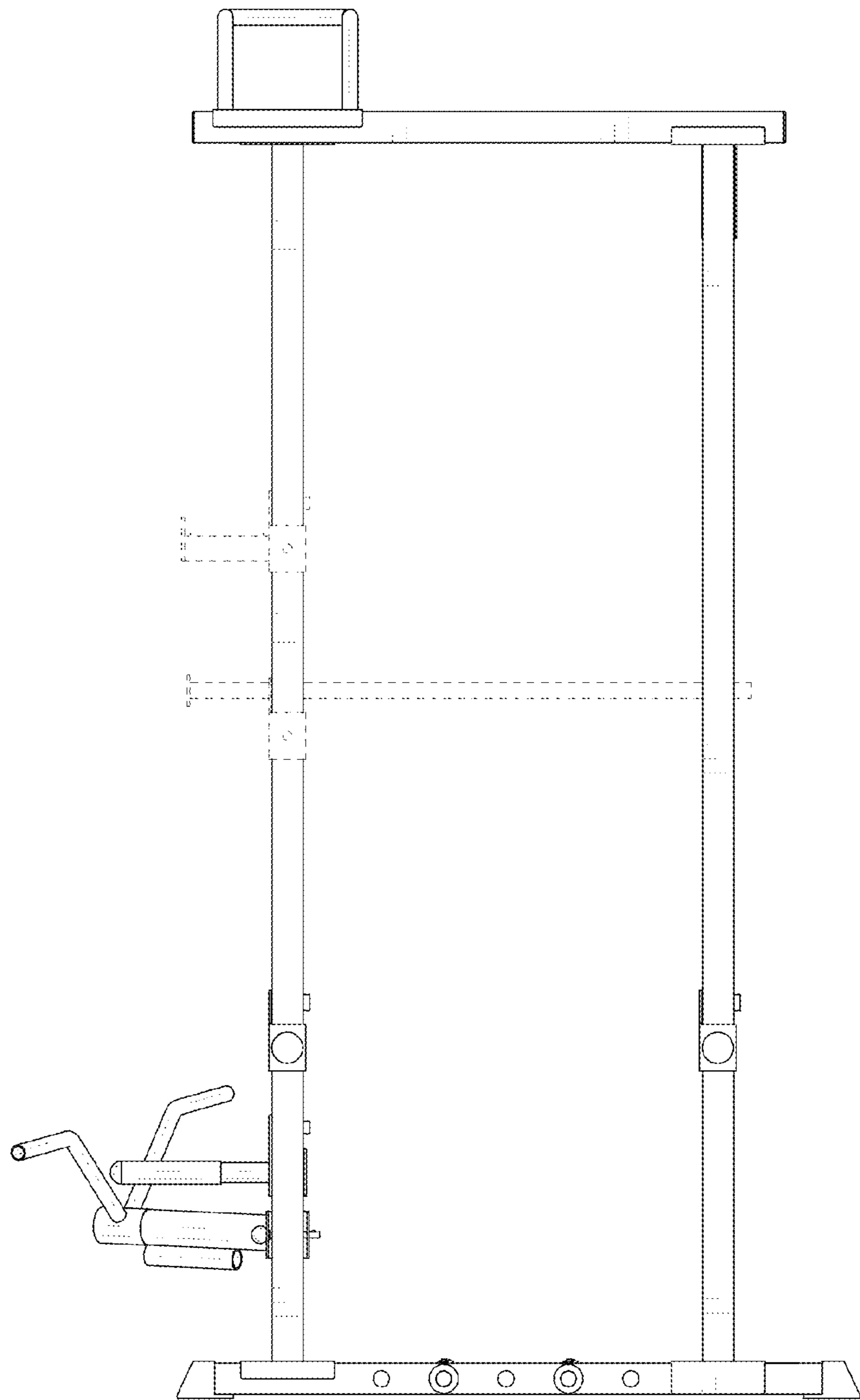




**FIG. 4**

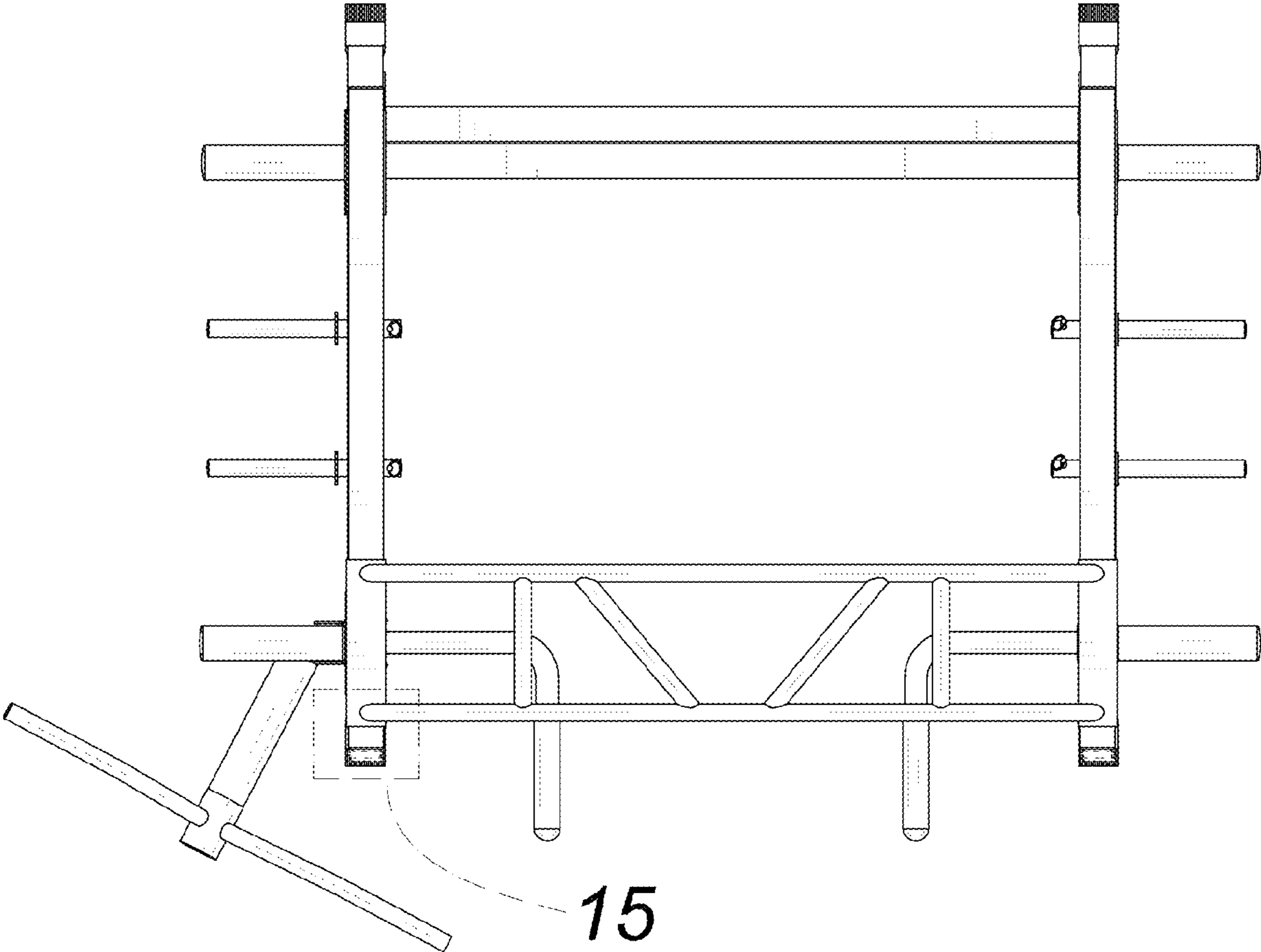


**FIG. 5**

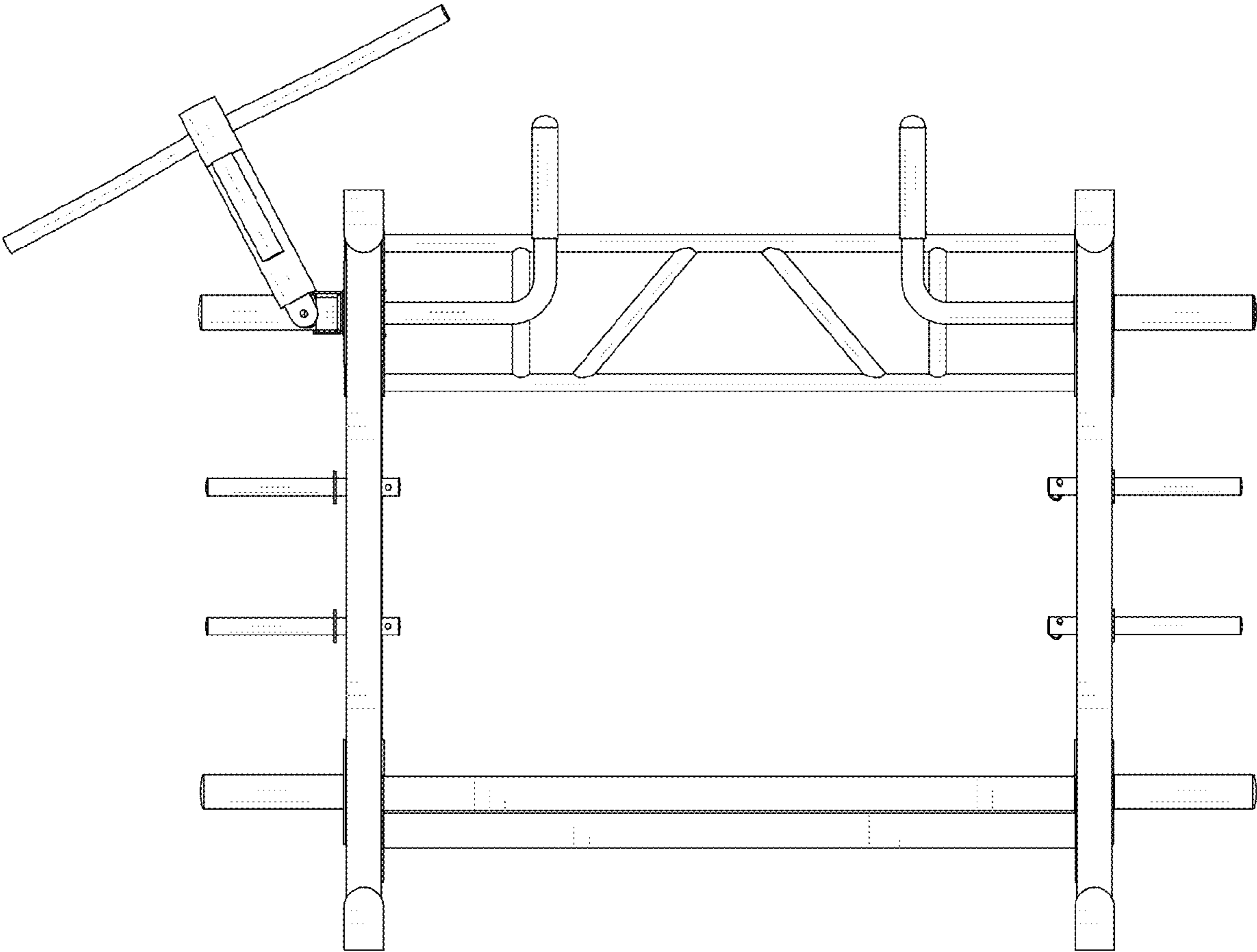


**FIG. 6**

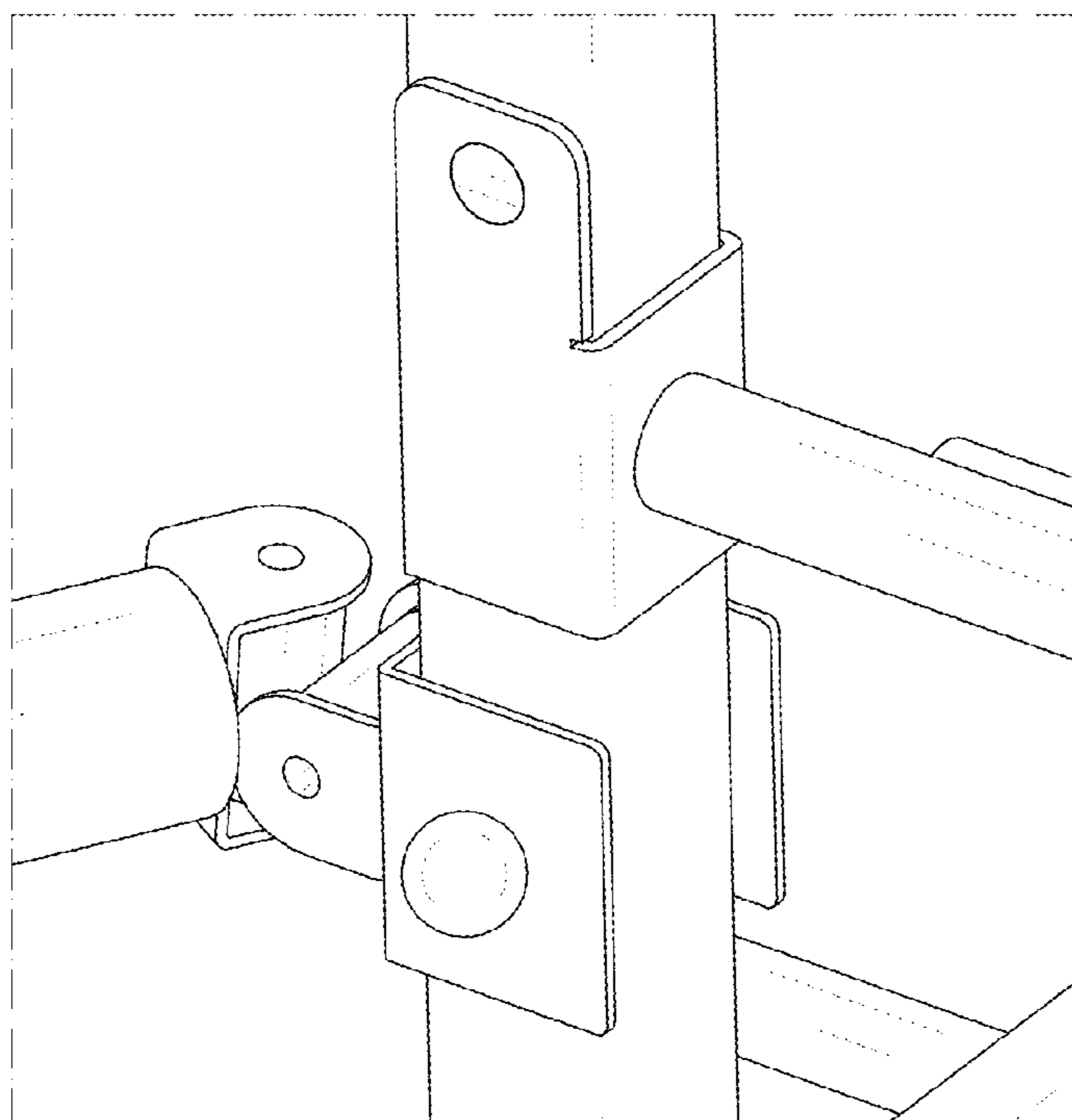




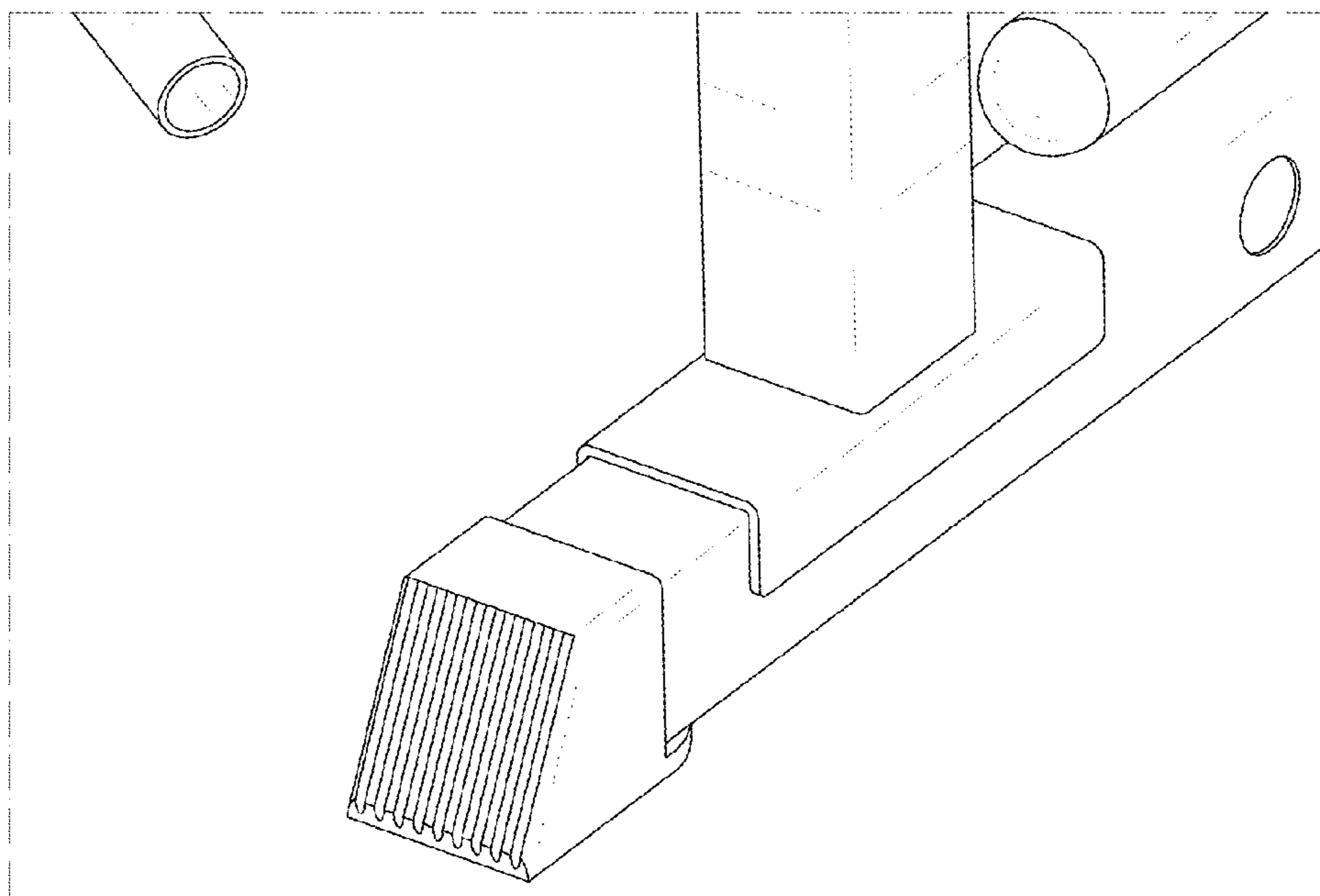
**FIG. 7**



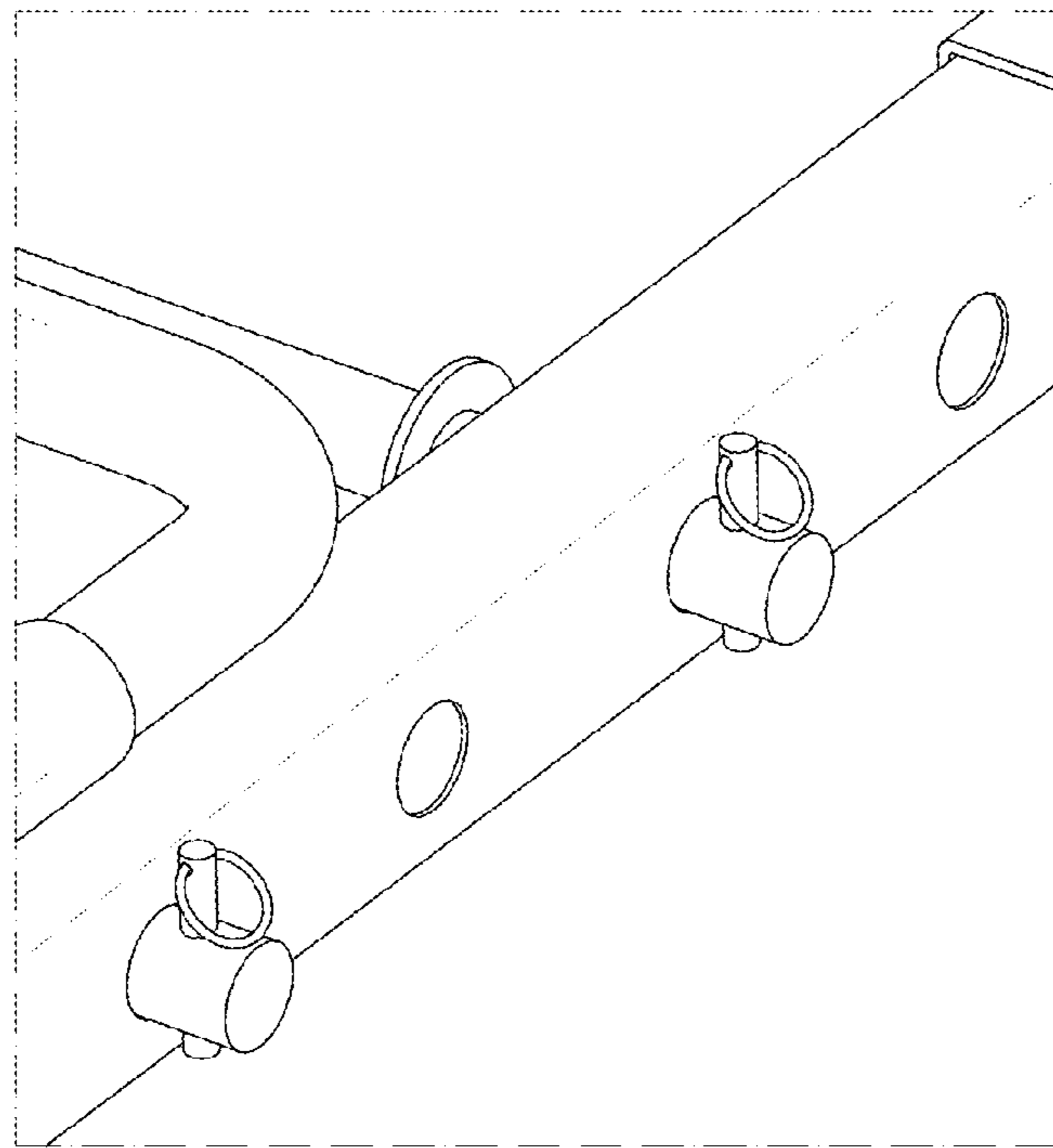
**FIG. 8**



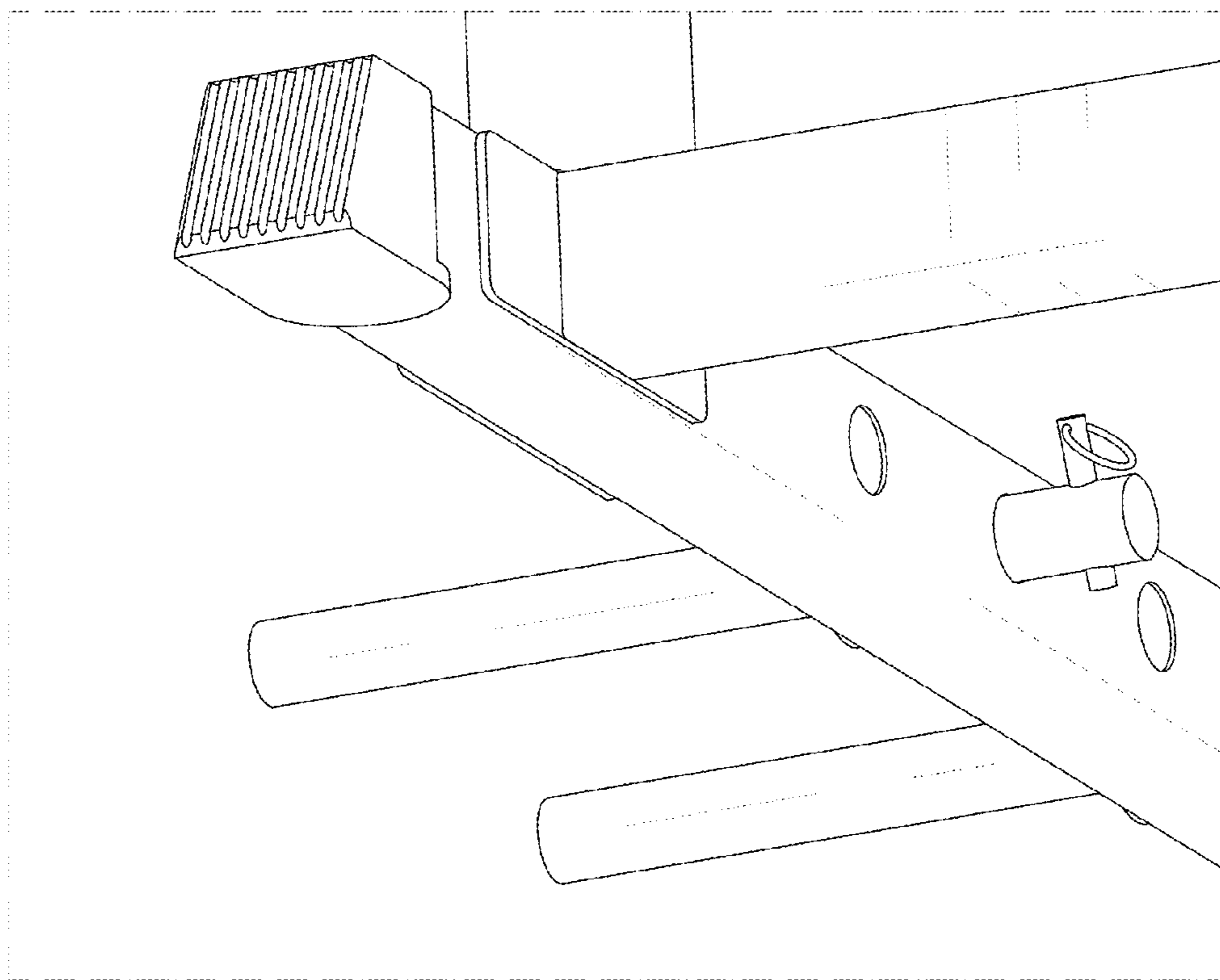
**FIG. 9**



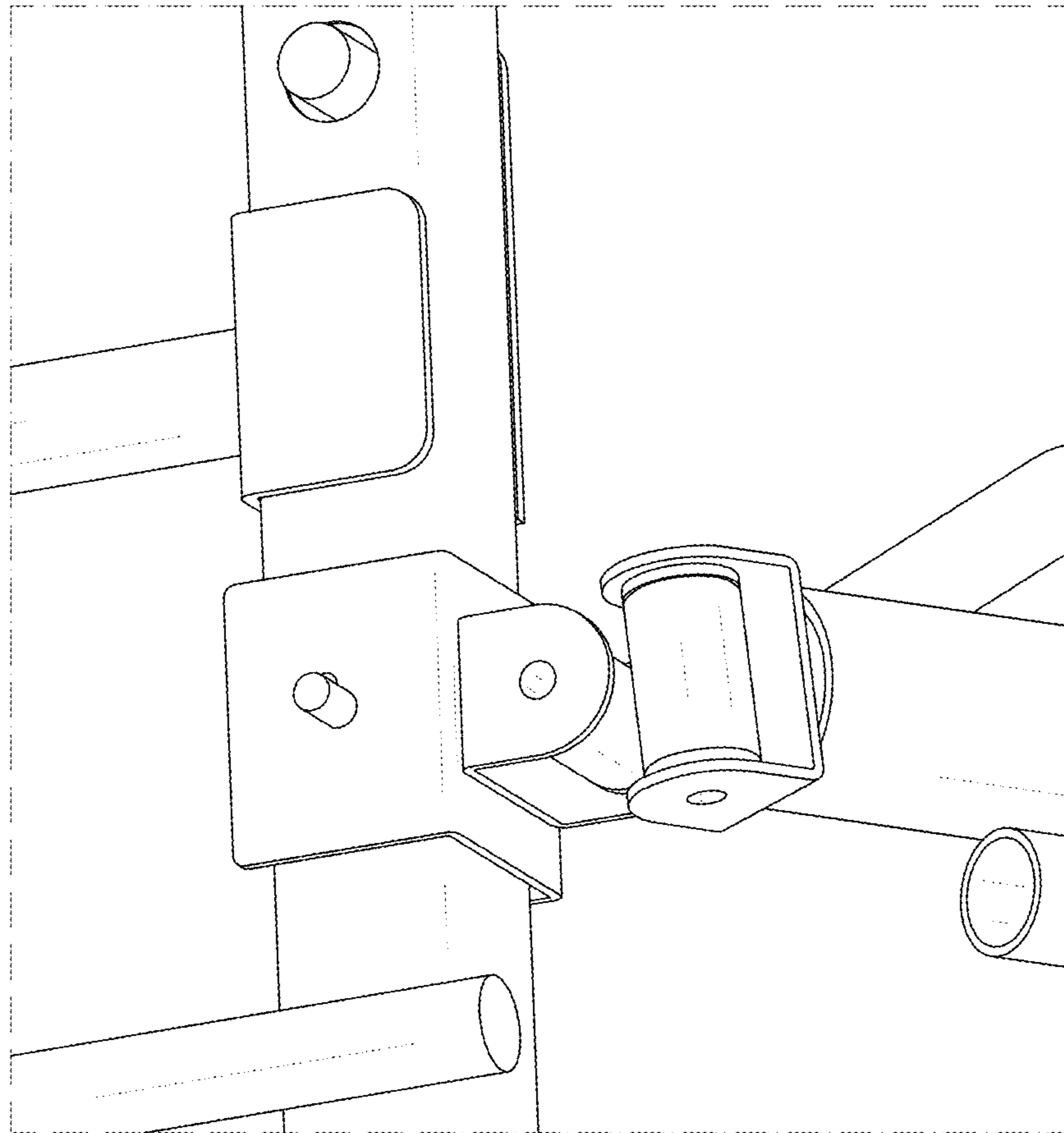
**FIG. 10**



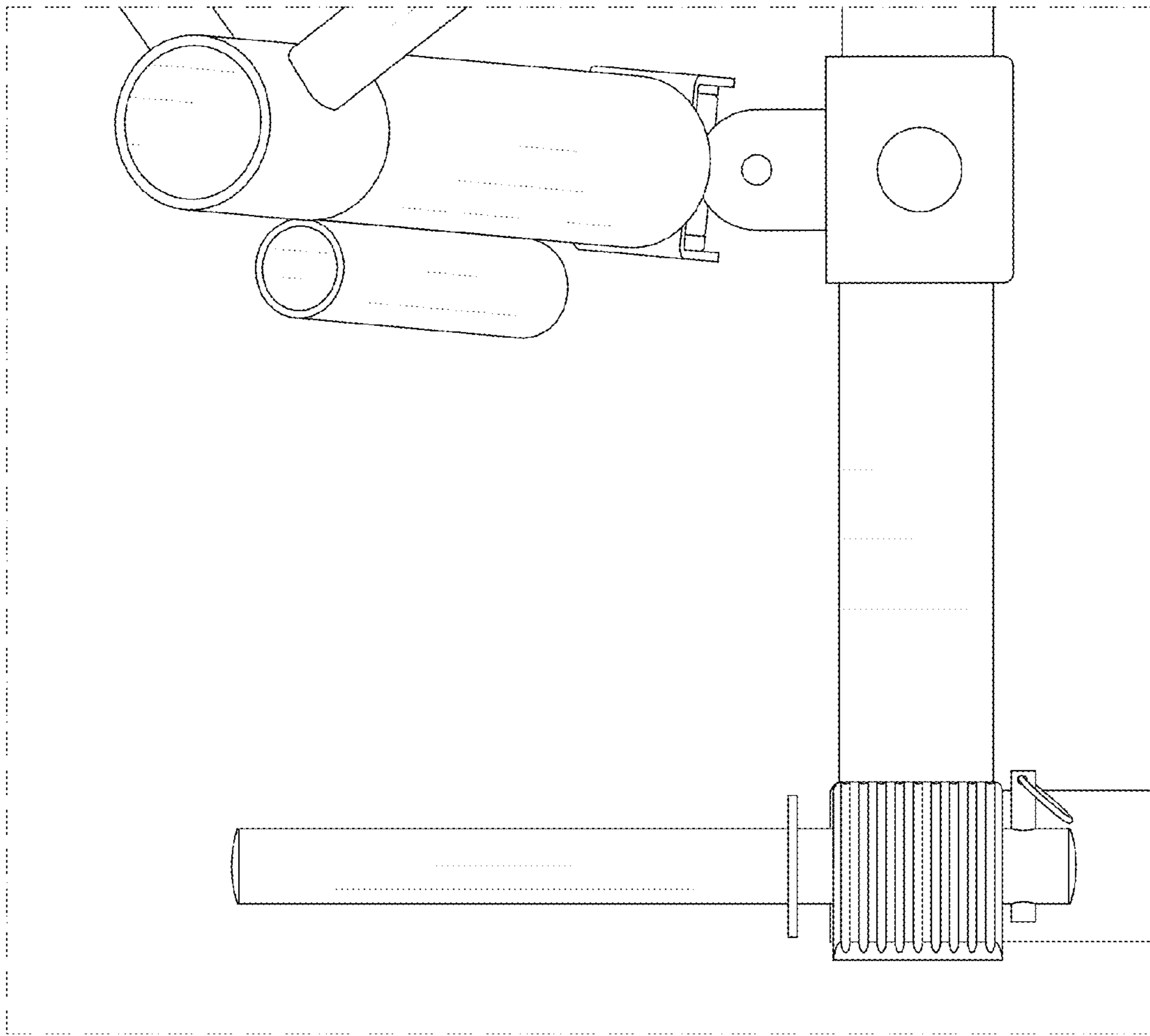
**FIG. 11**



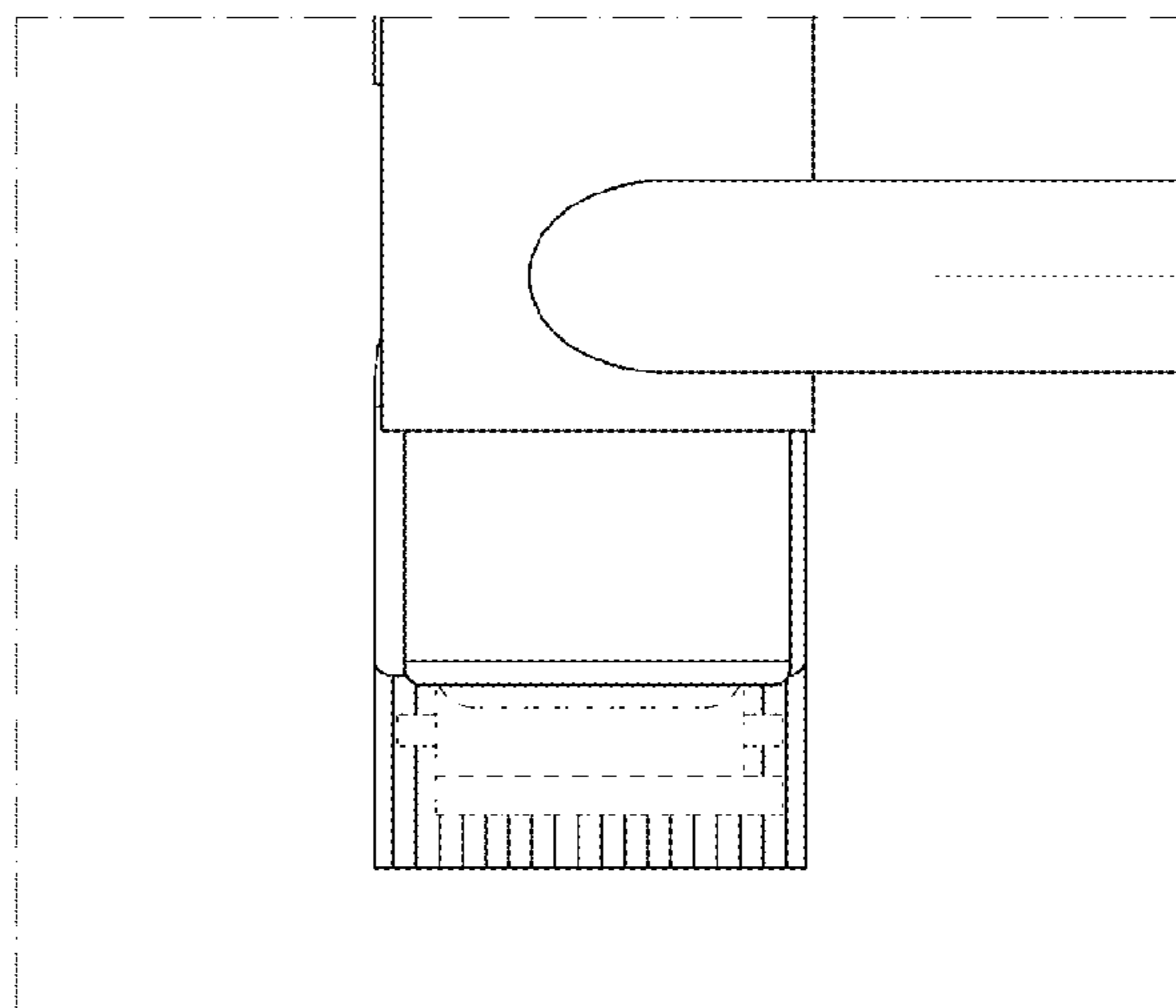
**FIG. 12**



***FIG. 13***



**FIG. 14**



**FIG. 15**