



US00D981505S

(12) **United States Design Patent**  
**Chen**

(10) **Patent No.:** **US D981,505 S**  
(45) **Date of Patent:** **\*\* Mar. 21, 2023**

- (54) **TOY BOW**
- (71) Applicant: **Ying Chen**, Guangdong (CN)
- (72) Inventor: **Ying Chen**, Guangdong (CN)
- (\*\*) Term: **15 Years**
- (21) Appl. No.: **29/838,291**
- (22) Filed: **May 11, 2022**
- (30) **Foreign Application Priority Data**

Jan. 7, 2022 (CN) ..... 202230007101.7

(51) **LOC (14) Cl.** ..... **21-01**

(52) **U.S. Cl.**  
USPC ..... **D21/571; D21/572; D21/401**

(58) **Field of Classification Search**  
USPC ..... D21/301, 324-327, 331-333, 385, 401,  
D21/567-575, 436, 445, 453-454;  
D22/100-108; D14/412-413, 415-416,  
D14/418, 426-428, 430; D10/46, 98  
CPC ..... A63H 33/009; A63H 33/28; A63H 33/30;  
A63H 33/3072; A63H 33/36; A63H  
2200/00; F41C 3/005; F41C 3/06; F41C  
3/08; F41C 3/10; F41C 3/12; F41C 3/00;  
F41C 3/14; F41C 3/16; F41C 7/00; F41C  
7/02; F41C 7/025; F41C 7/04; F41C  
7/06;

(Continued)

(56) **References Cited**

**U.S. PATENT DOCUMENTS**

- 5,830,029 A \* 11/1998 Siegel ..... F41B 5/0005  
446/45
- D659,203 S \* 5/2012 Greiner ..... D21/570

(Continued)

**OTHER PUBLICATIONS**

Urrmos, Bubble Machine Water Sprayer Bow and Arrow Gun,  
posted at Amazon, posting date Apr. 13, 2022. Site visited Sep. 29,

2022. URL: <<https://www.amazon.com/URRMOS-Parent-Child-Interactive-Childrens-Birthday/dp/B09XT8YSBM?th=1>>(Year: 2022).\*

(Continued)

*Primary Examiner* — Kathleen L Jones

(74) *Attorney, Agent, or Firm* — Che-Yang Chen; Law  
Office of Michael Chen

(57) **CLAIM**

The ornamental design for a toy bow, as shown and  
described.

**DESCRIPTION**

FIG. 1 is a perspective view of the toy bow showing my new  
design;

FIG. 2 is a perspective view thereof from another angle;

FIG. 3 is a front elevational view thereof;

FIG. 4 is a rear elevational view thereof;

FIG. 5 is a left side elevational view thereof;

FIG. 6 is a right side elevational view thereof;

FIG. 7 is a top plan view thereof;

FIG. 8 is a bottom plan view thereof;

FIG. 9 is an enlarged view of a portion indicated with  
numeric 9 in FIG. 1;

FIG. 10 is an enlarged view of a portion indicated with  
numeric 10 in FIG. 1;

FIG. 11 is an enlarged view of a portion indicated with  
numeric 11 in FIG. 1;

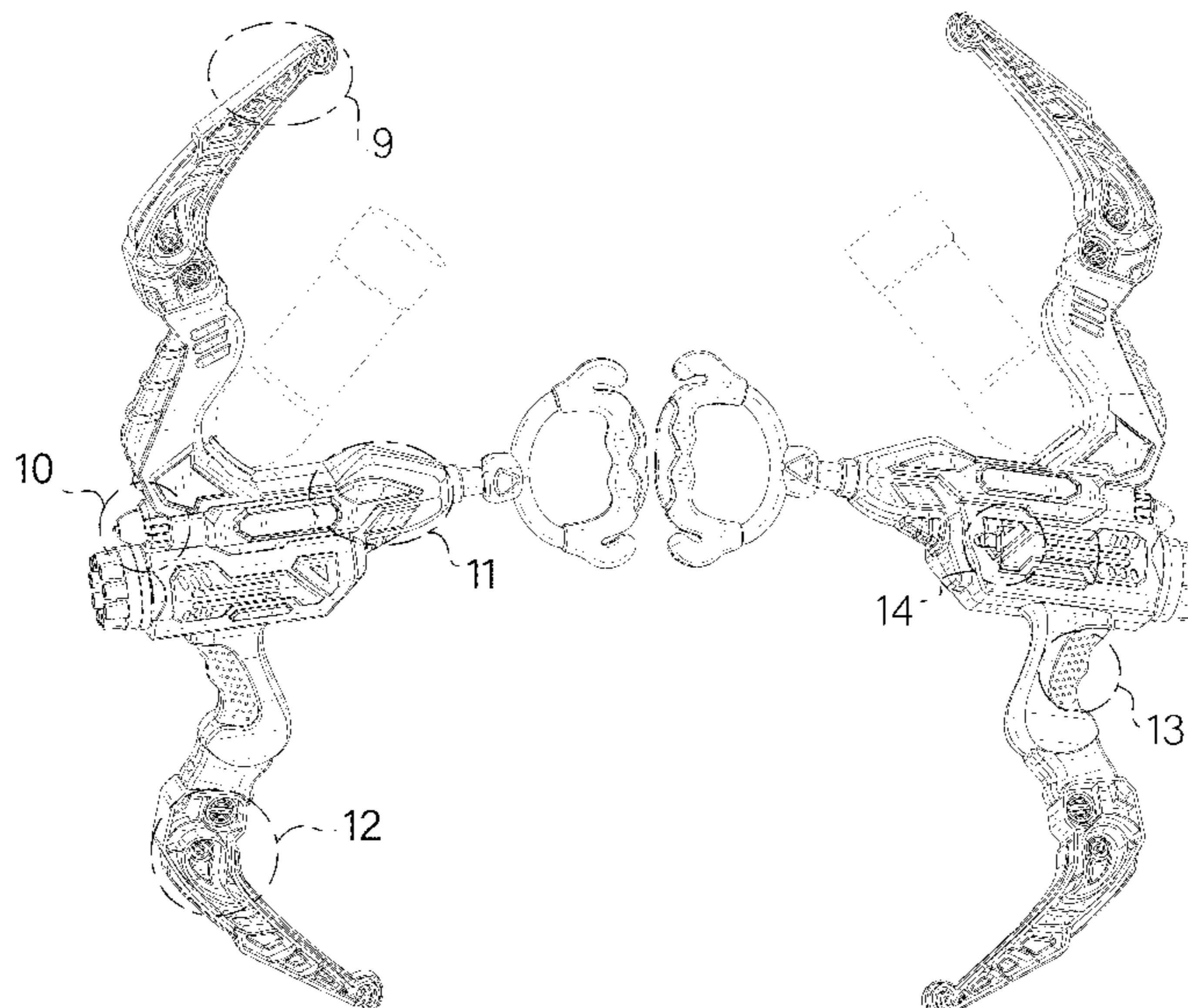
FIG. 12 is an enlarged view of a portion indicated with  
numeric 12 in FIG. 1;

FIG. 13 is an enlarged view of a portion indicated with  
numeric 13 in FIG. 2; and,

FIG. 14 is an enlarged view of a portion indicated with  
numeric 14 in FIG. 2.

The evenly spaced broken lines shown in the drawings are  
included for the purpose of illustrating portions of the toy  
bow that form no part of the claimed design; the unevenly  
spaced broken lines delineate enlarged areas of the figures  
and form no part of the claimed design.

**1 Claim, 14 Drawing Sheets**



(58) **Field of Classification Search**

CPC .... F41C 7/11; F41C 7/12; F41C 27/00; F41C 33/08; F41C 9/00; F41B 7/08; F41B 11/89; F41B 5/00; F41B 5/0005; F41B 5/001; F41B 5/0026; F41B 5/0031; F41B 5/0052; F41B 5/0073; F41B 5/0094; F41B 5/10; F41B 5/12; F41B 5/123; F41B 5/126; F41B 1/00; F41B 9/00; F41B 9/005; F41B 9/0053; F41B 9/0009; F41B 9/0012; F41B 9/0028; F41B 9/0031; F41B 9/0078; F41B 9/0081; F41B 9/0096; A63F 13/837; A63F 13/92; A63F 13/98; A63F 13/00; A63F 13/20; A63F 13/24; A63F 13/245; A63F 9/02; A63F 9/0252; A63F 2009/0256; A63F 2009/0265; A63F 2009/026; G06F 3/011; G06F 3/014; G06F 3/02; G06F 3/0202; G06F 2203/0331; G01S 13/92; G01S 13/91; G01S 13/93; G01S 13/931; G01S 2013/932

See application file for complete search history.

(56) **References Cited**

U.S. PATENT DOCUMENTS

D737,395 S \* 8/2015 Rodich ..... D22/107

D738,441 S \* 9/2015 Cummings ..... D21/571  
 D741,439 S \* 10/2015 Rodich ..... D21/571  
 D881,999 S \* 4/2020 Lin ..... D21/571  
 10,928,154 B1 \* 2/2021 Kam ..... F41B 11/646  
 D946,091 S 3/2022 Li  
 D948,633 S \* 4/2022 Kam ..... D21/570  
 D954,890 S \* 6/2022 Zhang ..... D22/107  
 2015/0233667 A1 \* 8/2015 Rodich ..... F41B 11/89  
 124/24.1  
 2016/0018175 A1 \* 1/2016 Lallier ..... F41B 5/12  
 29/428

OTHER PUBLICATIONS

NWESTUN Kids Bow and Arrow Set, posted at Amazon, review posting date Oct. 27, 2021. Site visited Sep. 29, 2022. URL: <<https://www.amazon.com/dp/B09MS7GR8P/>> (Year: 2021).\*

Joyin, Bow and Arrow for Kids with LED Flash Lights, posted at Amazon, review posting date Feb. 8, 2021. Site visited Sep. 30, 2022. URL: <<https://www.amazon.com/JOYIN-Arrow-Kids-Flash-Lights/dp/B089Y5K2KB?th=1>> (Year: 2021).\*

\* cited by examiner



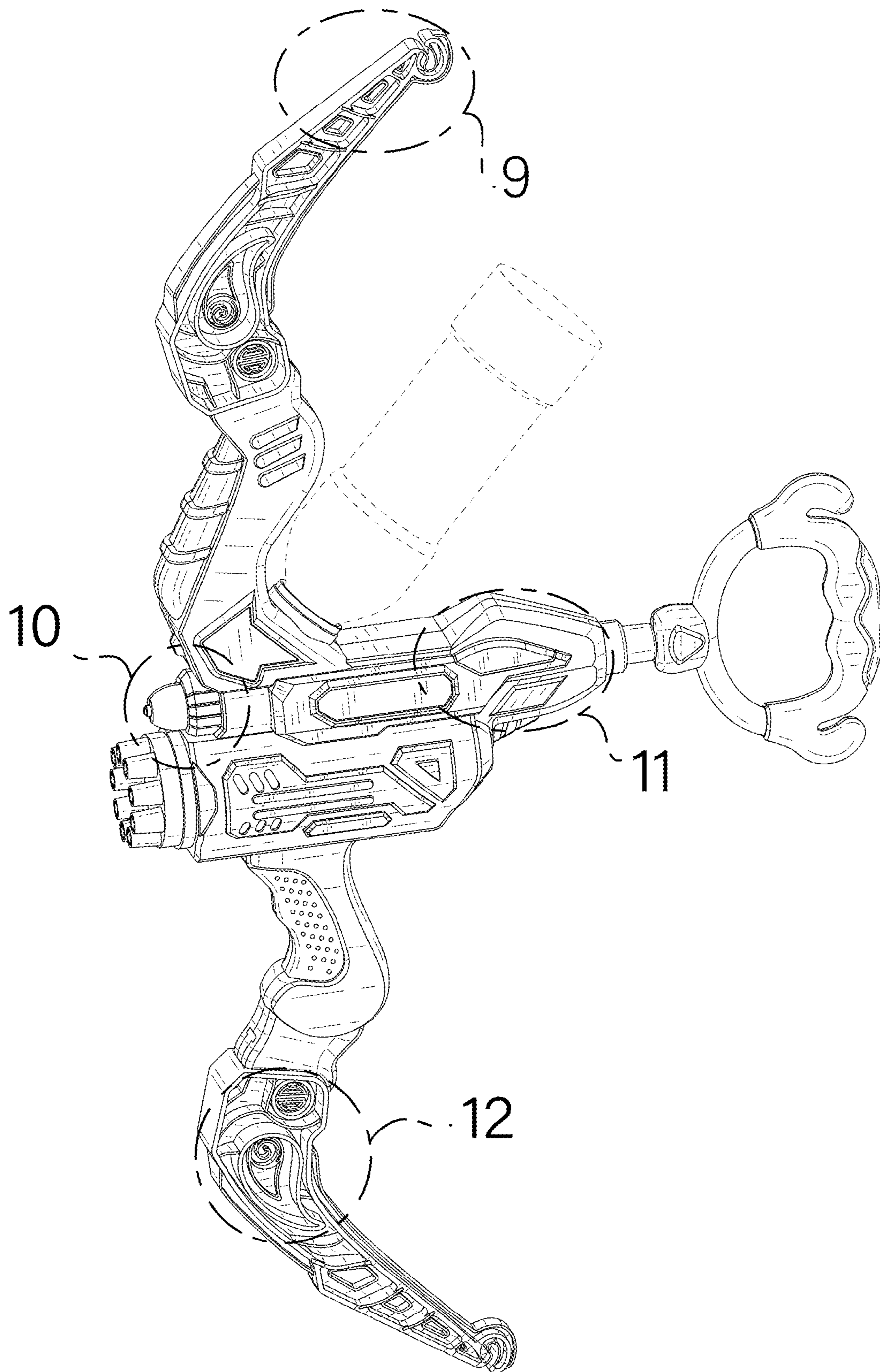


FIG. 1

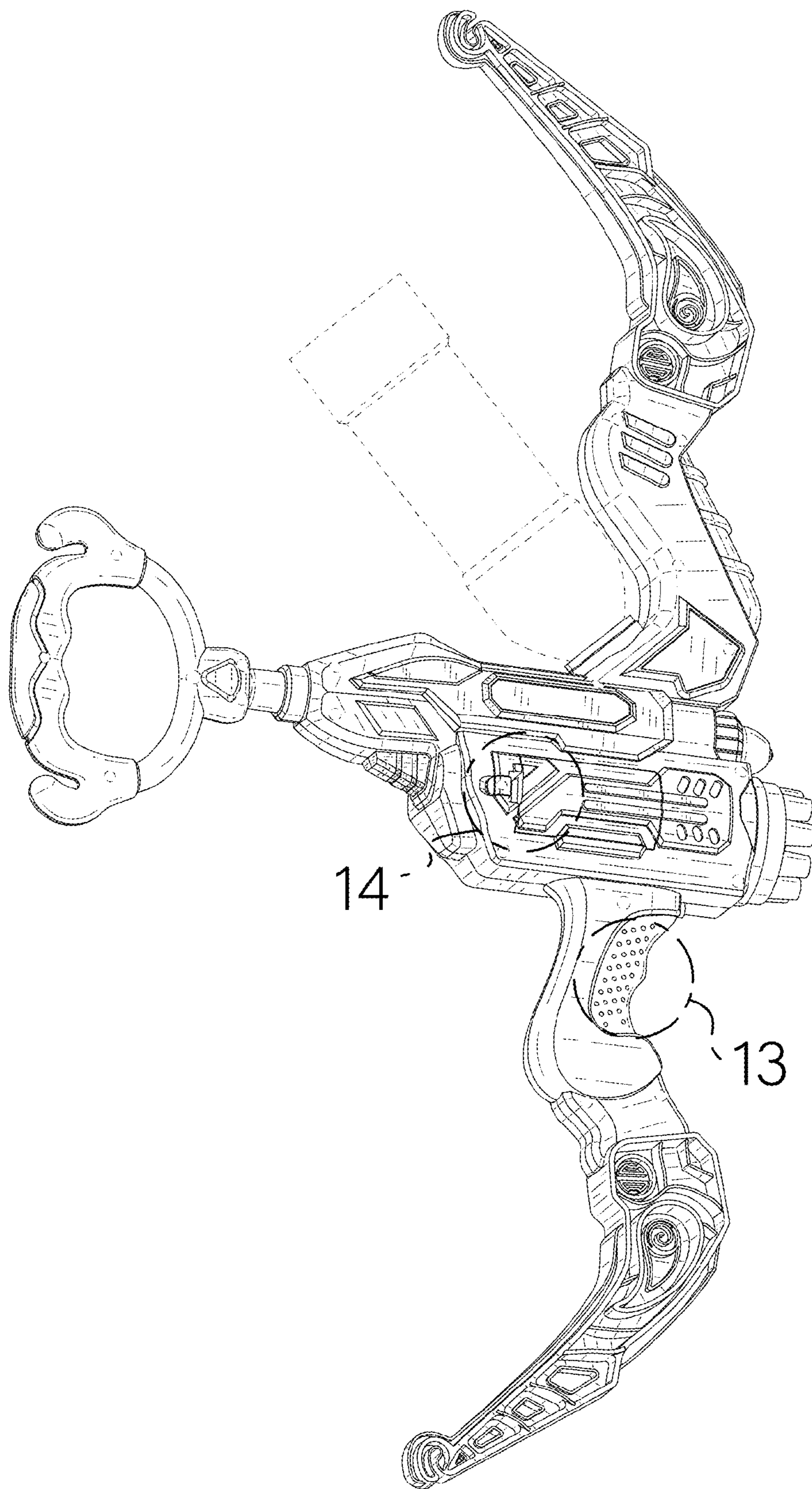


FIG. 2

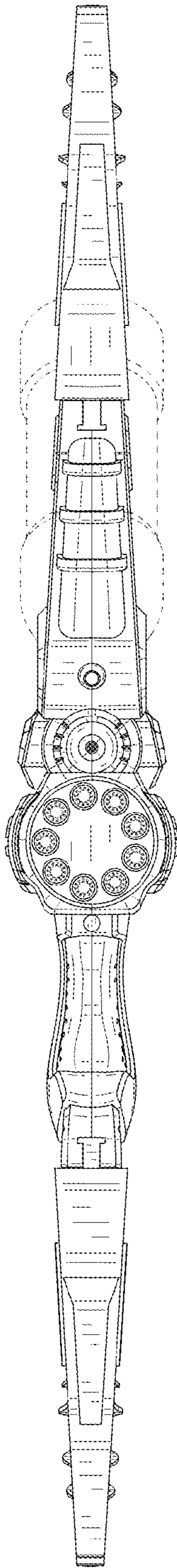


FIG. 3

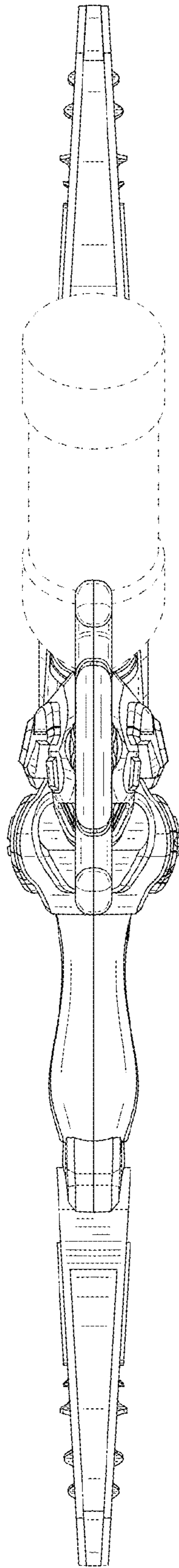


FIG. 4



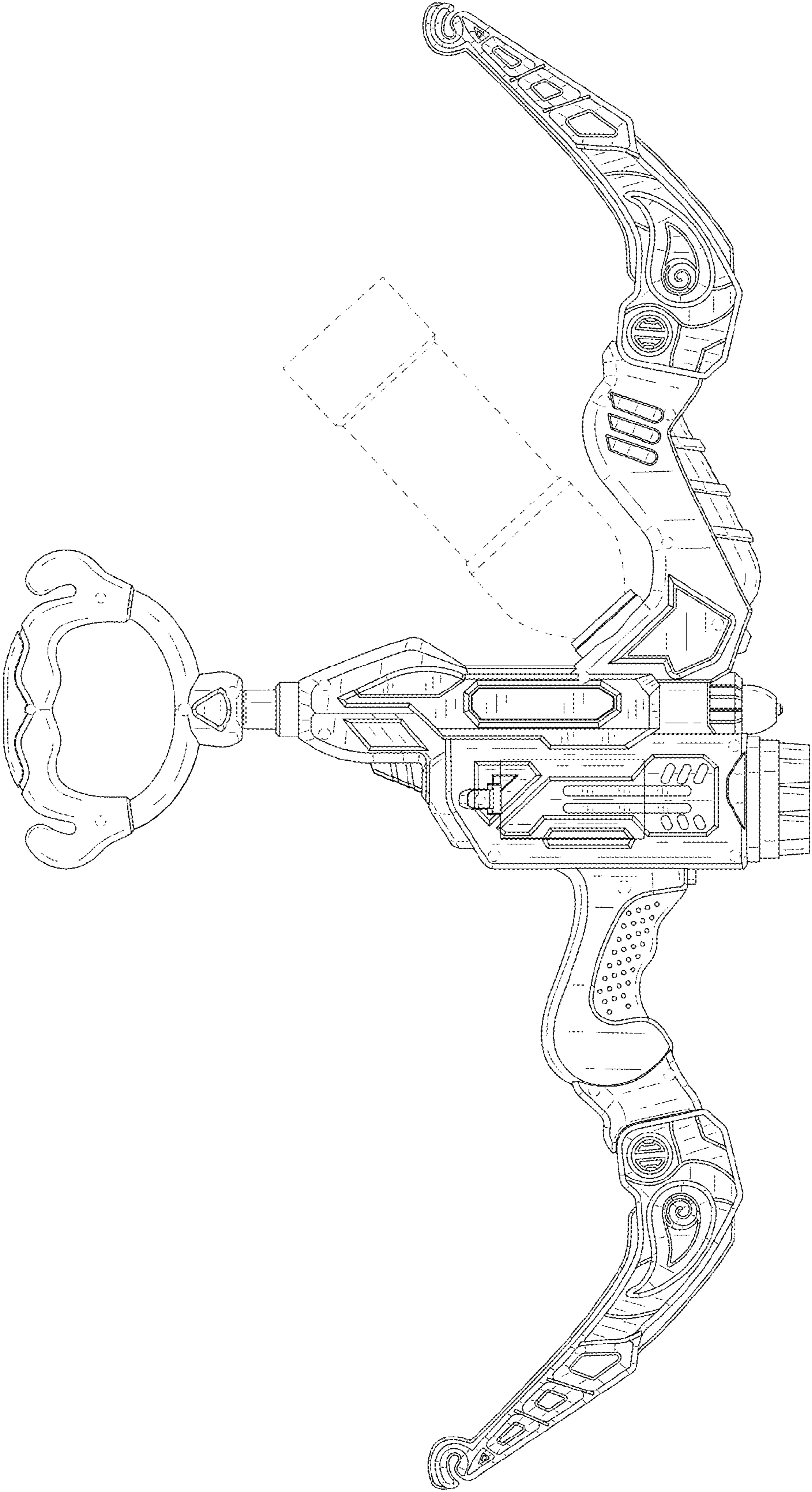


FIG. 5

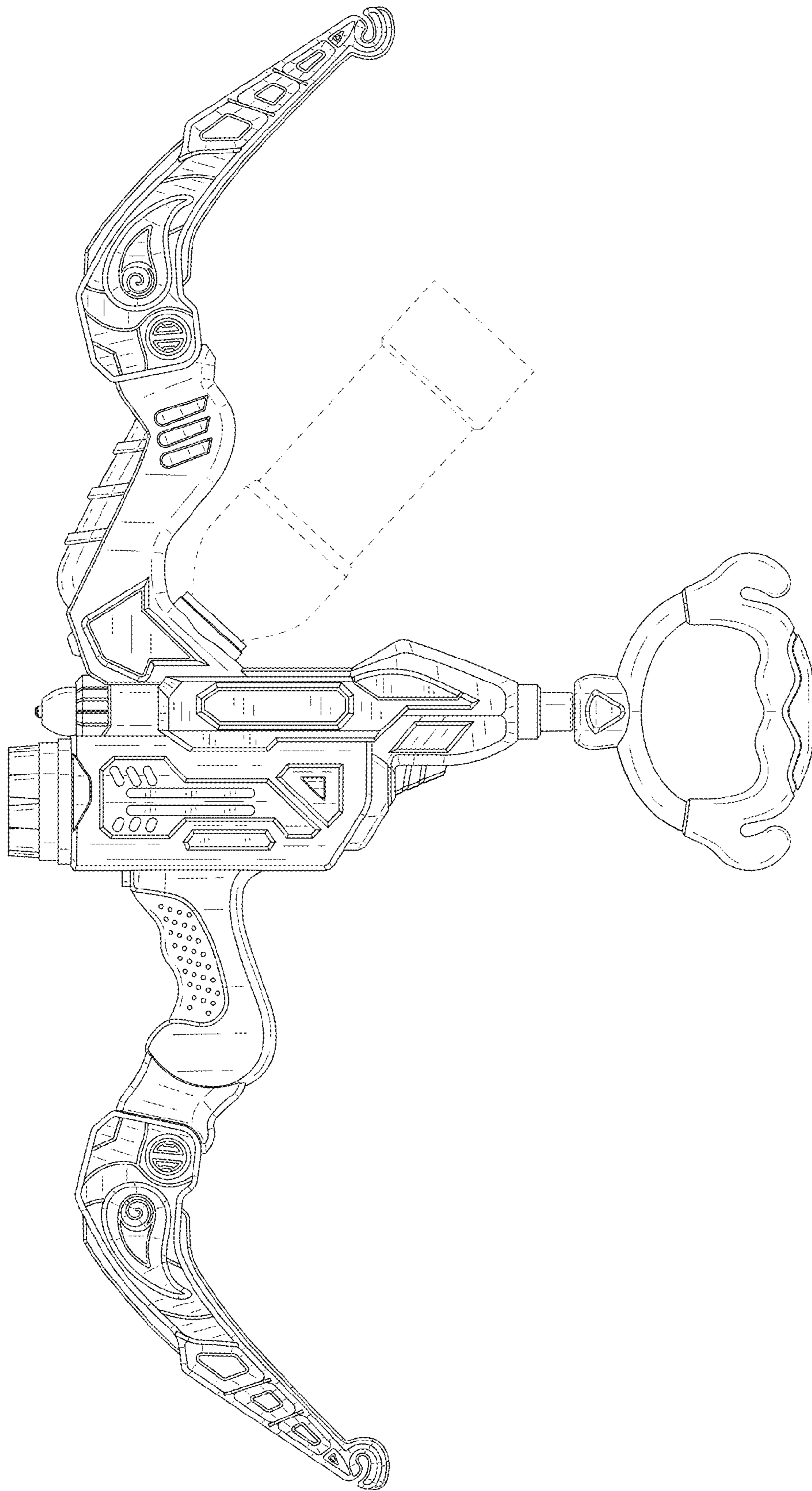


FIG. 6



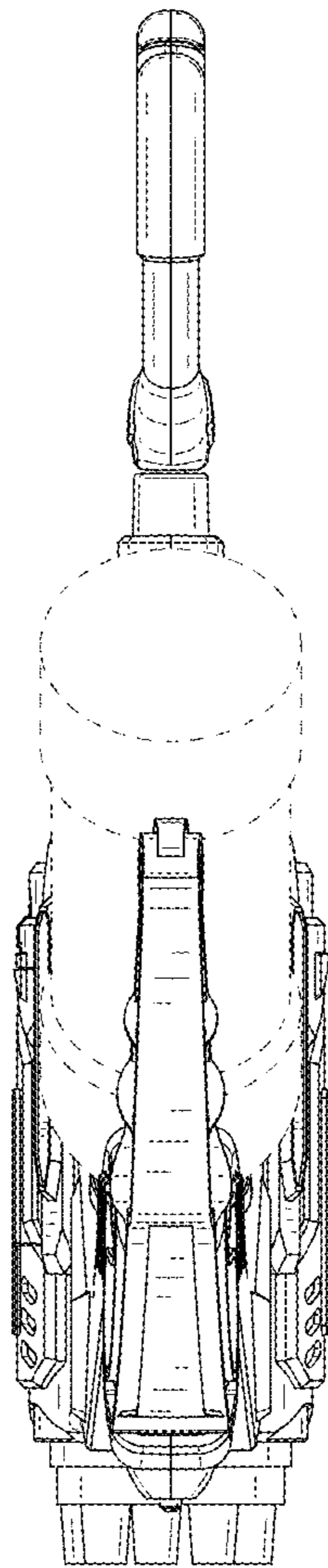


FIG. 7

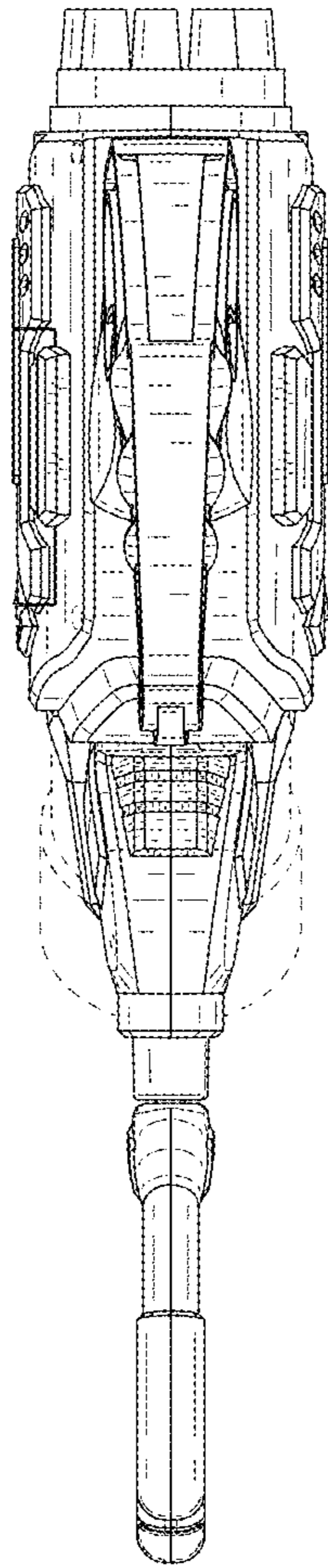


FIG. 8

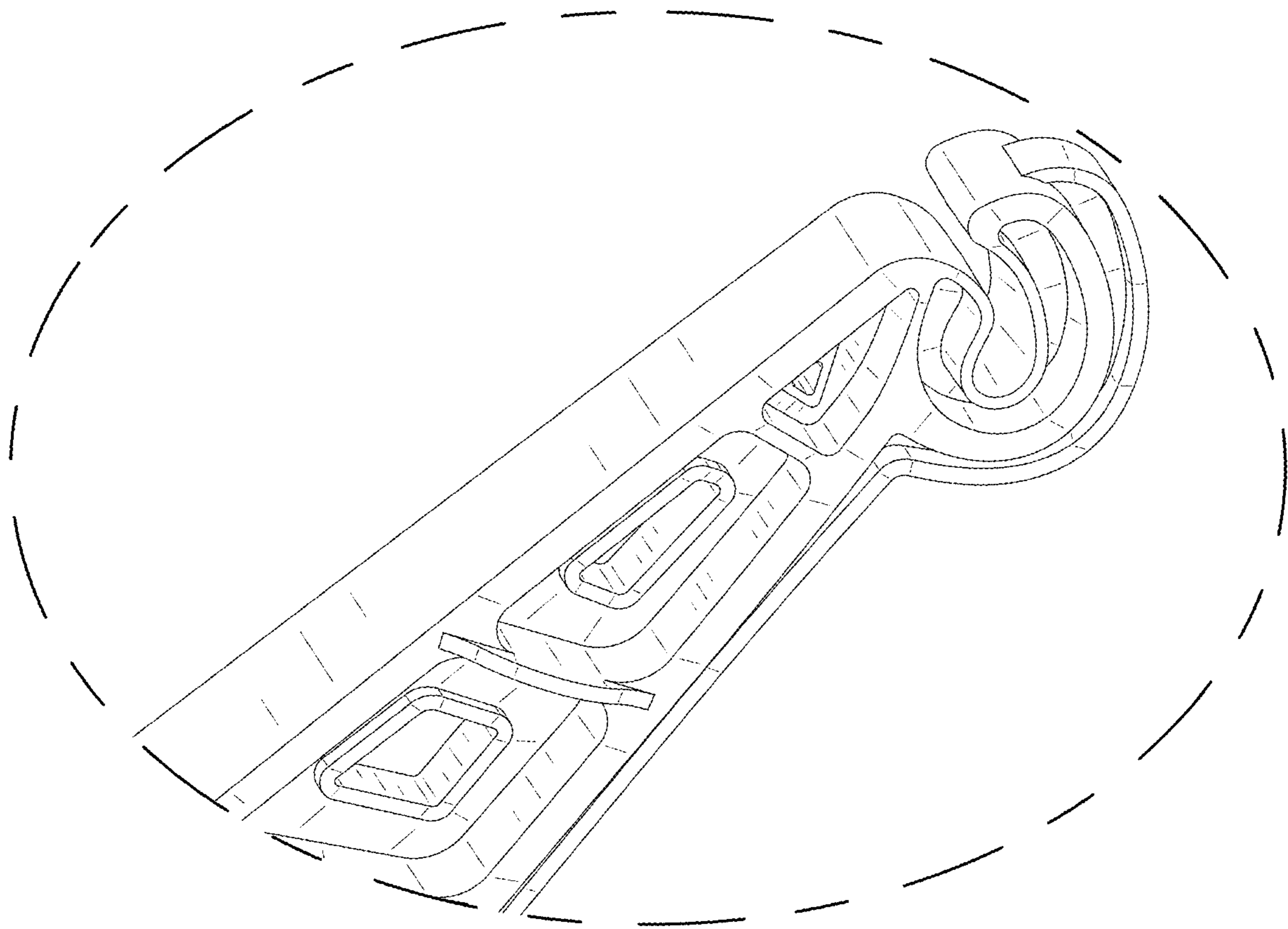


FIG. 9



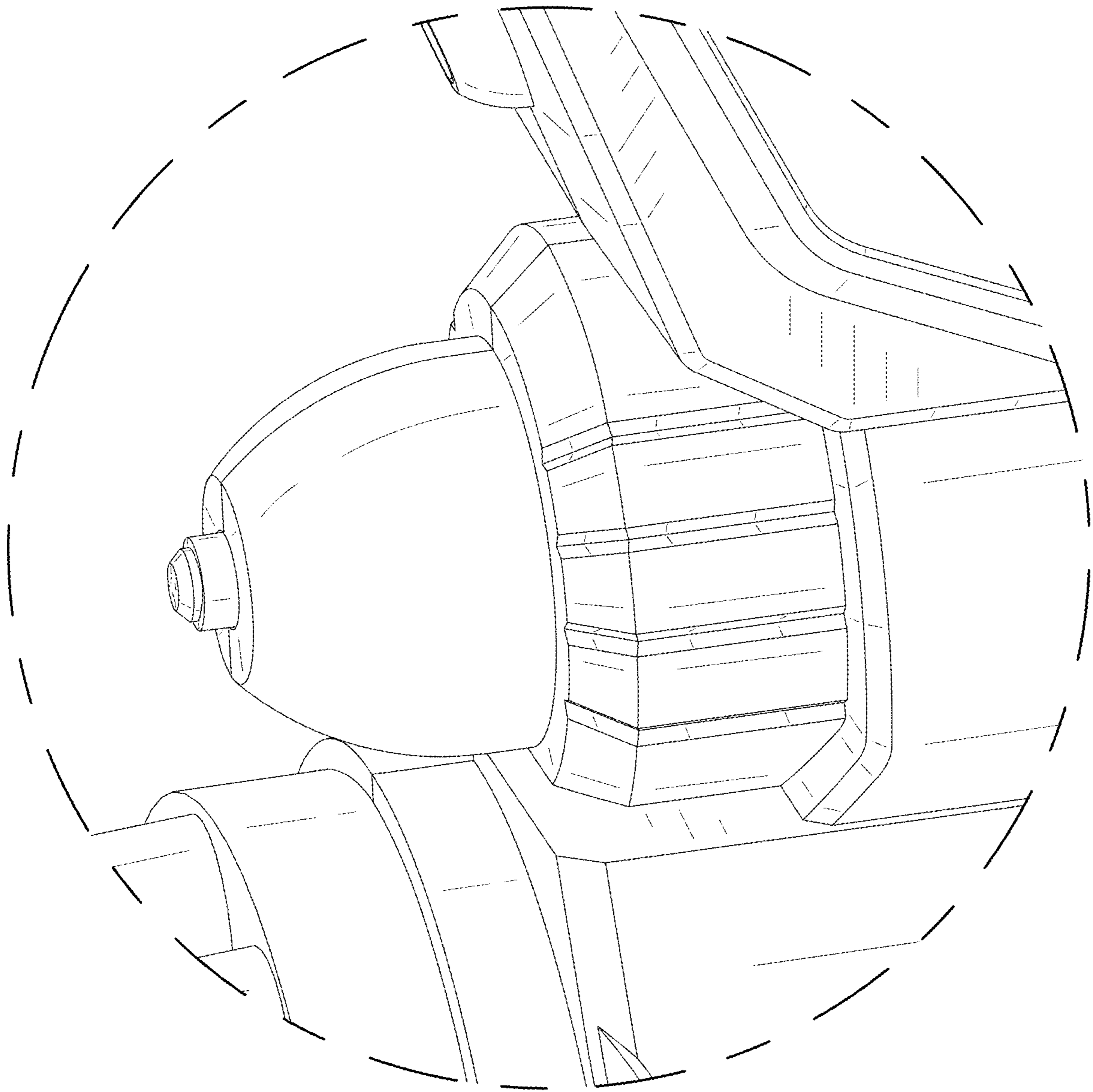


FIG. 10

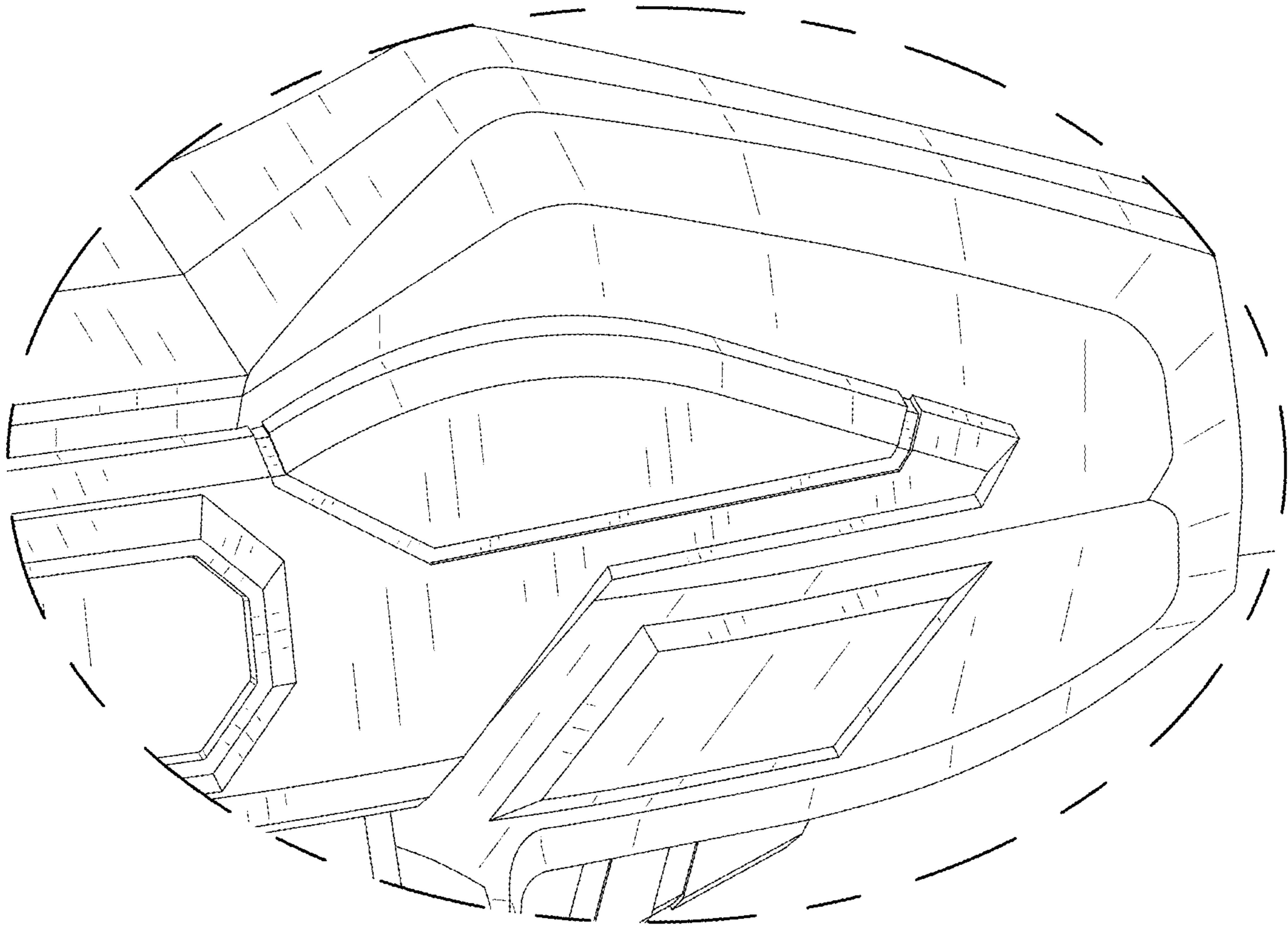


FIG. 11

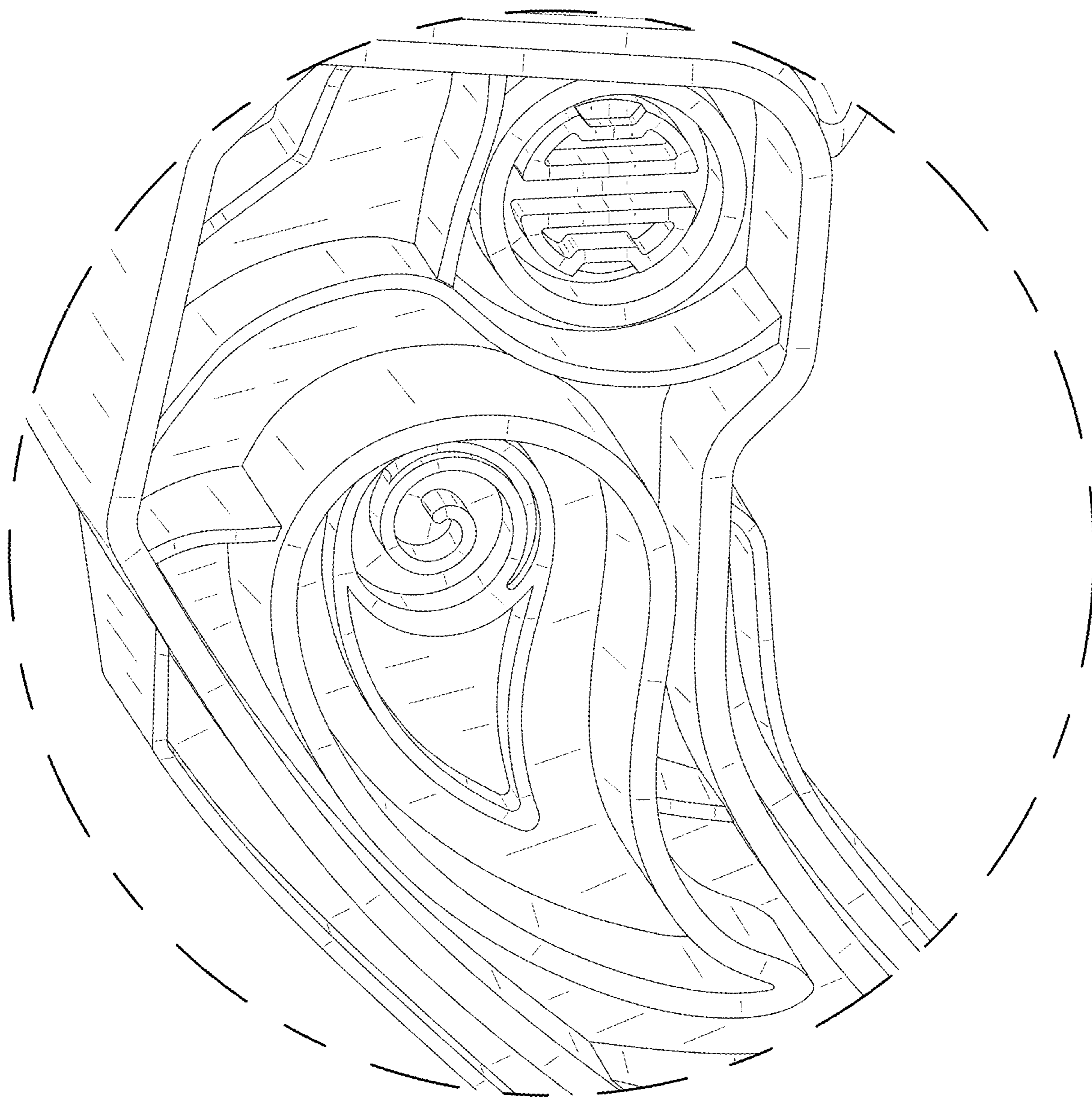


FIG. 12



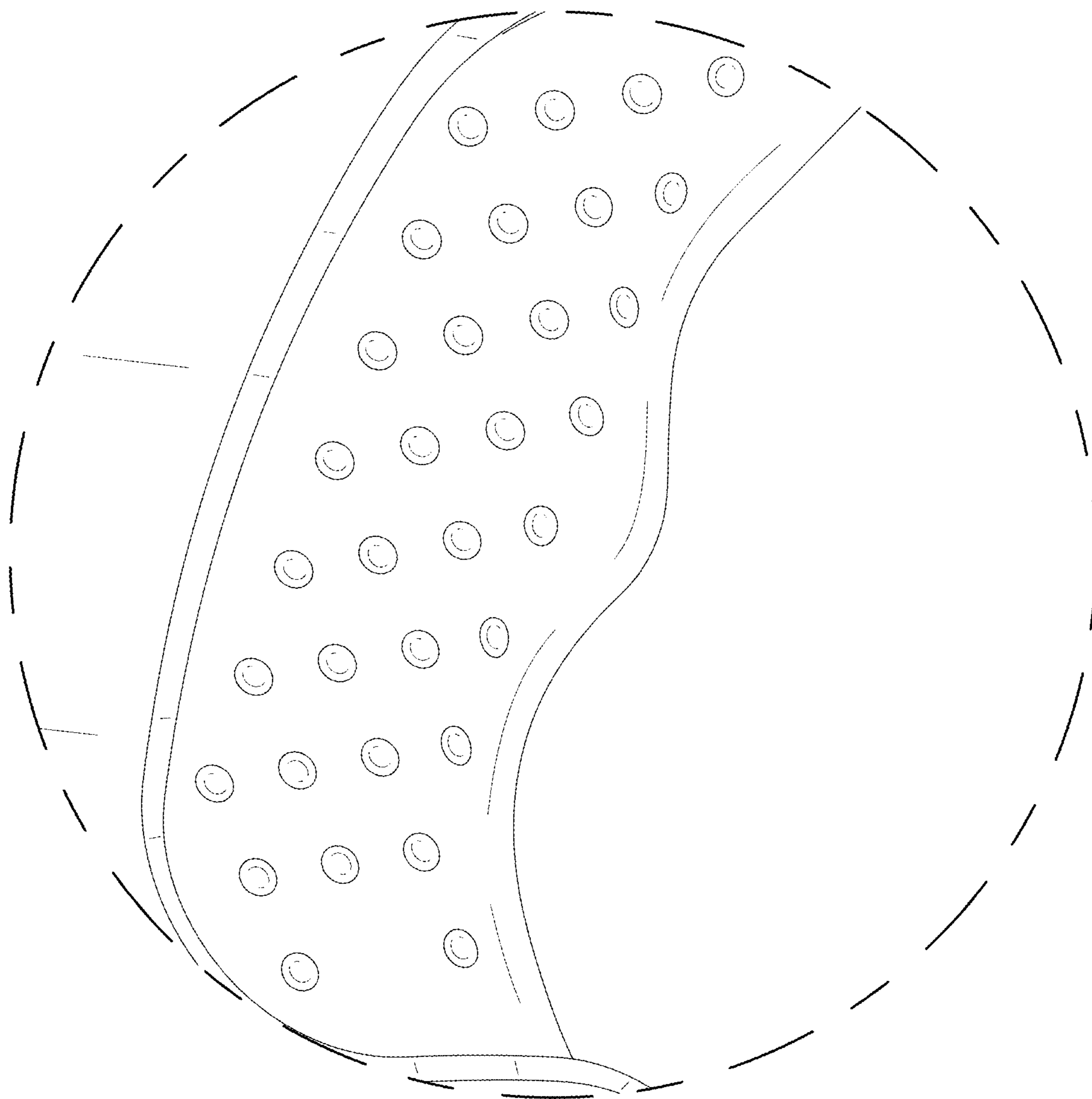


FIG. 13

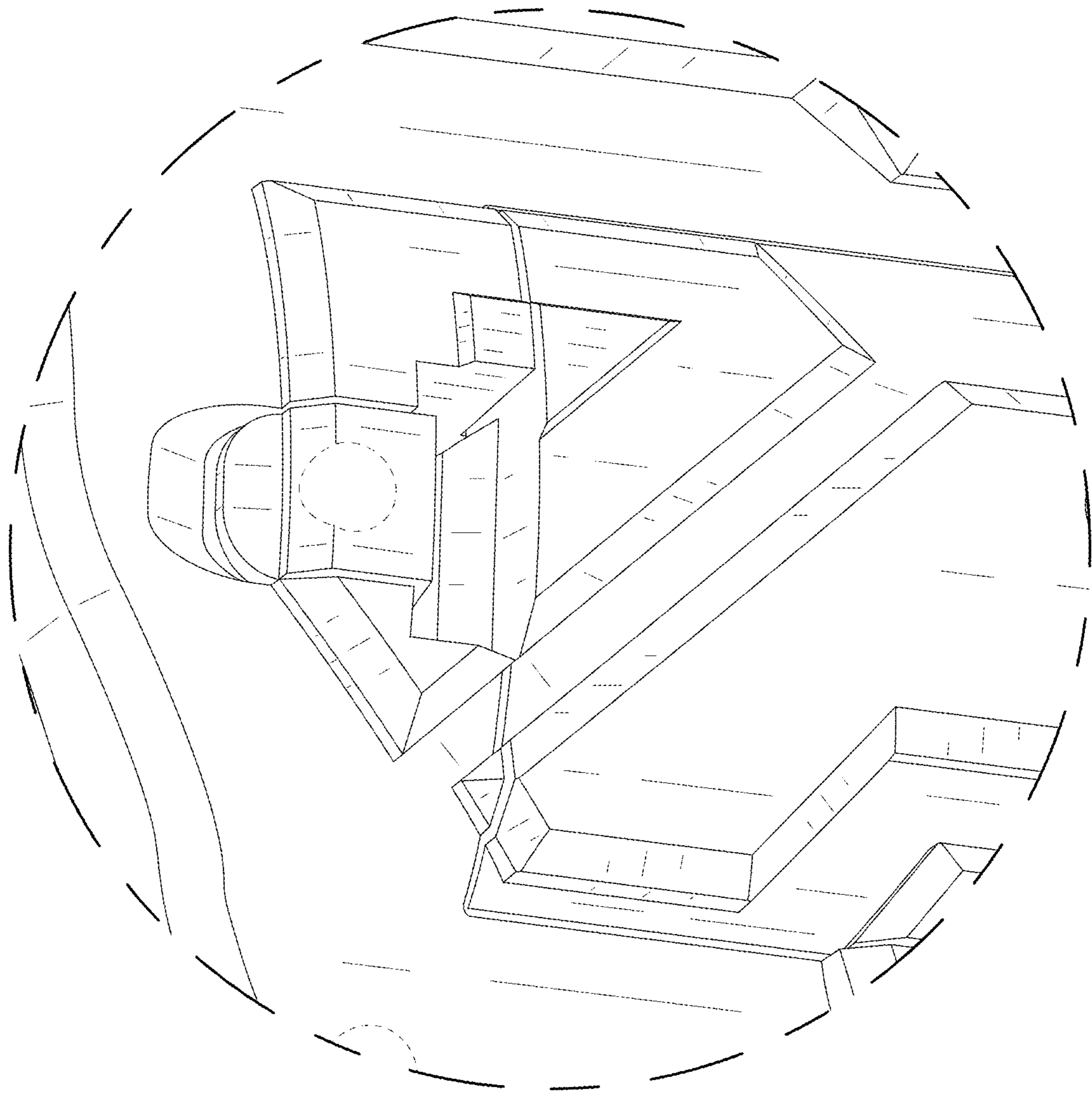


FIG. 14