



US00D981504S

(12) **United States Design Patent** (10) **Patent No.:** **US D981,504 S**  
**Kristensen et al.** (45) **Date of Patent:** **\*\* Mar. 21, 2023**

(54) **TOY BUILDING ELEMENT**  
(71) Applicant: **LEGO A/S**, Billund (DK)  
(72) Inventors: **Bo Park Kristensen**, Billund (DK);  
**Jose Julian Rivera Franco**, Kolding (DK)  
(73) Assignee: **LEGO A/S**, Billund (DK)  
(\*\*) Term: **15 Years**

4,509,929 A 4/1985 Zawitz  
D281,440 S 11/1985 Petersson  
4,819,402 A 4/1989 Schneider  
4,874,342 A 10/1989 Klitsner  
D305,443 S 1/1990 Klitsner  
D311,938 S 11/1990 Andersen  
D312,099 S 11/1990 Andersen  
D315,181 S 3/1991 Meyer  
D315,376 S 3/1991 Meyer  
(Continued)

(21) Appl. No.: **29/727,138**  
(22) Filed: **Mar. 9, 2020**

(30) **Foreign Application Priority Data**  
Jan. 21, 2020 (EM) ..... 007537964-0015  
(51) **LOC (14) Cl.** ..... **21-01**  
(52) **U.S. Cl.**  
USPC ..... **D21/500**  
(58) **Field of Classification Search**  
USPC ..... D21/484-505  
CPC ..... A63H 33/04; A63H 33/06; A63H 33/062;  
A63H 33/08; A63H 33/082; A63H  
33/084; A63H 33/086; A63H 33/088  
See application file for complete search history.

(56) **References Cited**  
U.S. PATENT DOCUMENTS  
144,124 A 10/1873 Oberndorf, Jr.  
1,337,664 A 4/1920 Lorenzen  
D208,788 S 10/1967 Lohr et al.  
3,900,984 A 8/1975 Garelick  
3,924,348 A 12/1975 Taylor et al.  
4,028,844 A 6/1977 Dideriksen et al.  
D253,711 S 12/1979 Christiansen et al.  
4,205,482 A 6/1980 Christiansen et al.  
D263,324 S 3/1982 Orenstein  
D276,830 S 12/1984 Petersson

**OTHER PUBLICATIONS**

LEGO Ariel Minifigure, Year Released 2018 [online], [site visited Aug. 26, 2021]. Available from Internet: <https://www.brickowl.com/catalog/lego-ariel-minifigure-227880> (Year: 2018).  
(Continued)

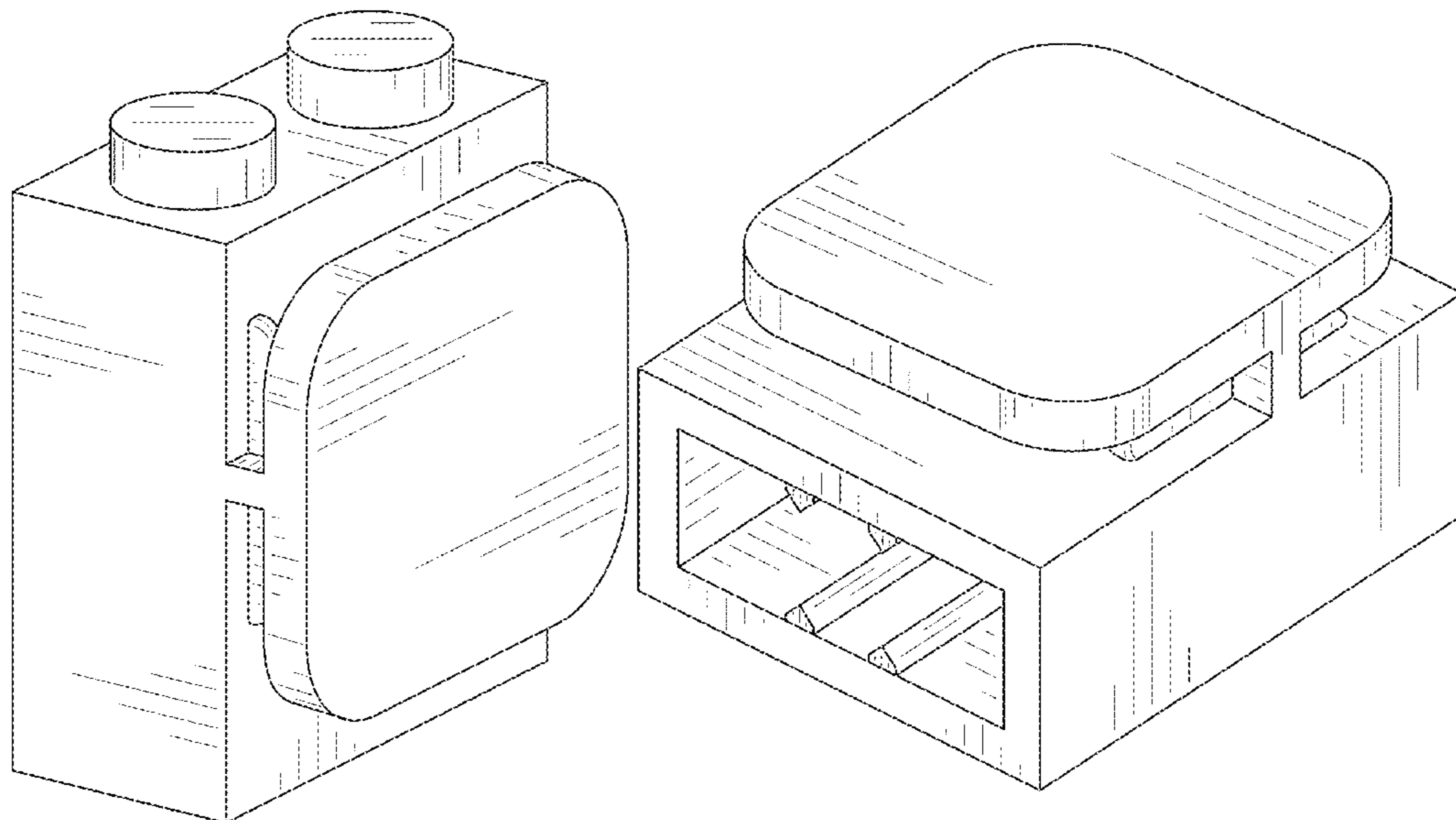
*Primary Examiner* — Cynthia M. Chin  
(74) *Attorney, Agent, or Firm* — Fross, Zelnick, Lehrman & Zissu PC; Charles T. J. Weigell, Esq.

(57) **CLAIM**  
The ornamental design for a toy building element, as shown and described.

**DESCRIPTION**

FIG. 1 is a side perspective view of the toy building element; FIG. 2 is a top perspective view thereof; FIG. 3 is a left side view thereof; FIG. 4 is a rear view thereof; FIG. 5 is a front view thereof; FIG. 6 is a back elevational view thereof; FIG. 7 is a top elevational view thereof; and, FIG. 8 is a right side view thereof. The dash-dot broken lines in FIG. 7 represent the bounds of the claim. All other broken lines represent portions of the toy building element that form no part of the claimed design. None of the broken lines form a part of the claim.

**1 Claim, 8 Drawing Sheets**



(56)

References Cited

U.S. PATENT DOCUMENTS

5,007,876 A 4/1991 Klitsner  
 D324,169 S 2/1992 Hebert, Sr.  
 5,110,315 A 5/1992 Zawitz  
 D334,416 S 3/1993 Zawitz  
 5,312,285 A 5/1994 Rieber et al.  
 D354,527 S 1/1995 Ryaa et al.  
 D373,152 S 8/1996 Thomasen  
 D373,153 S 8/1996 Madsen  
 5,545,070 A 8/1996 Liu  
 D394,467 S 5/1998 Nielsen  
 D394,681 S 5/1998 Pagel  
 D397,168 S 8/1998 Poissant  
 D397,742 S 9/1998 Jensen  
 5,871,384 A 2/1999 Kichijo  
 D410,040 S 5/1999 Poulsen  
 D410,706 S 6/1999 Toft  
 5,919,072 A 7/1999 Pohlman  
 D417,705 S \* 12/1999 Rudy ..... D21/501  
 D422,034 S 3/2000 Yamazaki  
 D422,652 S 4/2000 Watanabe  
 6,231,345 B1 5/2001 Yamazaki et al.  
 6,273,778 B1 8/2001 Kyster  
 D457,198 S 5/2002 Yamazaki  
 D512,748 S 12/2005 Hageman  
 7,371,147 B2 5/2008 Tusacciu  
 D583,880 S 12/2008 Slater et al.  
 7,553,209 B1 6/2009 Sorensen  
 D597,150 S 7/2009 Oikawa et al.  
 D615,135 S 5/2010 Thorsen  
 D641,055 S 7/2011 Andersen  
 D672,402 S \* 12/2012 Macadam ..... D21/491  
 D672,410 S 12/2012 Dubreuil et al.  
 D672,411 S 12/2012 Dubreuil et al.  
 D678,432 S 3/2013 Dubreuil et al.  
 D682,367 S 5/2013 Pilgaard et al.  
 D688,328 S \* 8/2013 Holm ..... D21/504  
 D689,567 S 9/2013 Pilgaard et al.  
 D689,957 S 9/2013 Jensen  
 D702,774 S 4/2014 Wizenberg et al.  
 D718,823 S 12/2014 Cunningham  
 D731,595 S 6/2015 Jensen  
 D731,596 S 6/2015 Jensen  
 D739,477 S 9/2015 Simonds et al.  
 9,186,591 B2 11/2015 Nielsen  
 D749,175 S 2/2016 Vaughey  
 D753,242 S 4/2016 Jaensch  
 D760,328 S 6/2016 Croston et al.  
 D760,329 S 6/2016 Croston et al.  
 9,393,501 B2 7/2016 Sze  
 D762,787 S 8/2016 Barbiani et al.  
 D794,139 S 8/2017 Barbiani et al.  
 D794,720 S \* 8/2017 Liu ..... A63H 33/04  
 D21/500  
 D794,722 S \* 8/2017 Liu ..... D21/500  
 D797,204 S \* 9/2017 Liu ..... A63H 33/084  
 D21/504  
 D799,607 S 10/2017 Pouliot et al.  
 D799,608 S 10/2017 Pouliot et al.  
 D799,609 S 10/2017 Sprague  
 D803,950 S \* 11/2017 Liu ..... A63H 33/084  
 D21/499

D808,471 S 1/2018 Gutierrez et al.  
 D809,071 S \* 1/2018 Liu ..... A63H 33/084  
 D21/491  
 D821,504 S 6/2018 Bilezikian et al.  
 10,029,187 B2 \* 7/2018 Liu ..... A63H 33/084  
 D833,541 S 11/2018 Barwald et al.  
 D845,403 S 4/2019 Davies  
 D846,041 S 4/2019 Barbiani  
 D848,542 S 5/2019 Pestel  
 10,335,700 B2 7/2019 Wong  
 D894,292 S 8/2020 Park et al.  
 D910,784 S 2/2021 Wang  
 D916,210 S 4/2021 Lin  
 D918,313 S 5/2021 Wang  
 D963,065 S \* 9/2022 Wood ..... D21/500  
 2006/0014468 A1 1/2006 Zawitz  
 2006/0154556 A1 7/2006 Tong  
 2007/0026759 A1 2/2007 Flodin et al.  
 2007/0123137 A1 5/2007 Marzetta  
 2009/0047863 A1 2/2009 Capriola  
 2009/0197500 A1 8/2009 Song et al.  
 2012/0015583 A1 1/2012 Chen  
 2012/0071061 A1 3/2012 Smith et al.  
 2012/0210546 A1 8/2012 Jang et al.  
 2013/0072082 A1 3/2013 Wizenberg et al.  
 2013/0330999 A1 12/2013 Ryaa  
 2014/0051321 A1 2/2014 Kelly et al.  
 2014/0227936 A1 8/2014 Botterill et al.  
 2015/0104992 A1 4/2015 Jung  
 2015/0231488 A1 8/2015 Hedeem, Jr. et al.  
 2016/0317940 A1 11/2016 Jensen  
 2016/0332088 A1 11/2016 Rakhsha  
 2018/0161686 A1 6/2018 De Grasse  
 2018/0214786 A1 8/2018 Crouse et al.  
 2018/0229144 A1 8/2018 Rosen et al.  
 2019/0030445 A1 1/2019 Luo  
 2019/0160390 A1 5/2019 Croston et al.  
 2019/0358557 A1 11/2019 Semling  
 2021/0197096 A1 7/2021 Donaldson et al.

OTHER PUBLICATIONS

LEGO Blue Duplo Curved Elbow Pipe (31195) 1998-2016 [online], [site visited Aug. 27, 2021]. Available from the Internet: <https://www.brickowl.com/catalog/lego-blue-duplo-curved-elbow-pipe-31195> (Year: 1998).  
 LEGO Duplo Tube Straight (31452)2002-2020 [online], [site visited Aug. 27, 2021]. Available from the Internet: <https://www.brickowl.com/catalog/lego-duplo-tube-straight-31452> (Year: 2002).  
 LEGO Large Steering Wheel (2741) Available 1988-2020 [site visited Aug. 26, 2021]. Available from Internet: <https://www.brickowl.com/catalog/lego-large-steering-wheel-2741> (Year: 1988).  
 LEGO Rapunzel Minifigure, Year Released 2018 [online], [site visited Oct. 22, 2021]. Available from Internet: <https://www.brickowl.com/catalog/lego-rapunzel-minifigure-246321> (Year: 2018).  
 LEGO Small Steering Wheel (2819), Available 1993-2020 [online], [site visited Aug. 26, 2021]. Available from Internet: <https://www.brickowl.com/catalog/lego-small-steering-wheel-2819> (Year: 1993).  
 LEGO Tractor Chassis Steering Wheel Available 1972-1975 [site visited Aug. 26, 2021]. Available from Internet: <https://www.brickowl.com/catalog/lego-tractor-chassis-steering-wheel> (Year: 1972).

\* cited by examiner

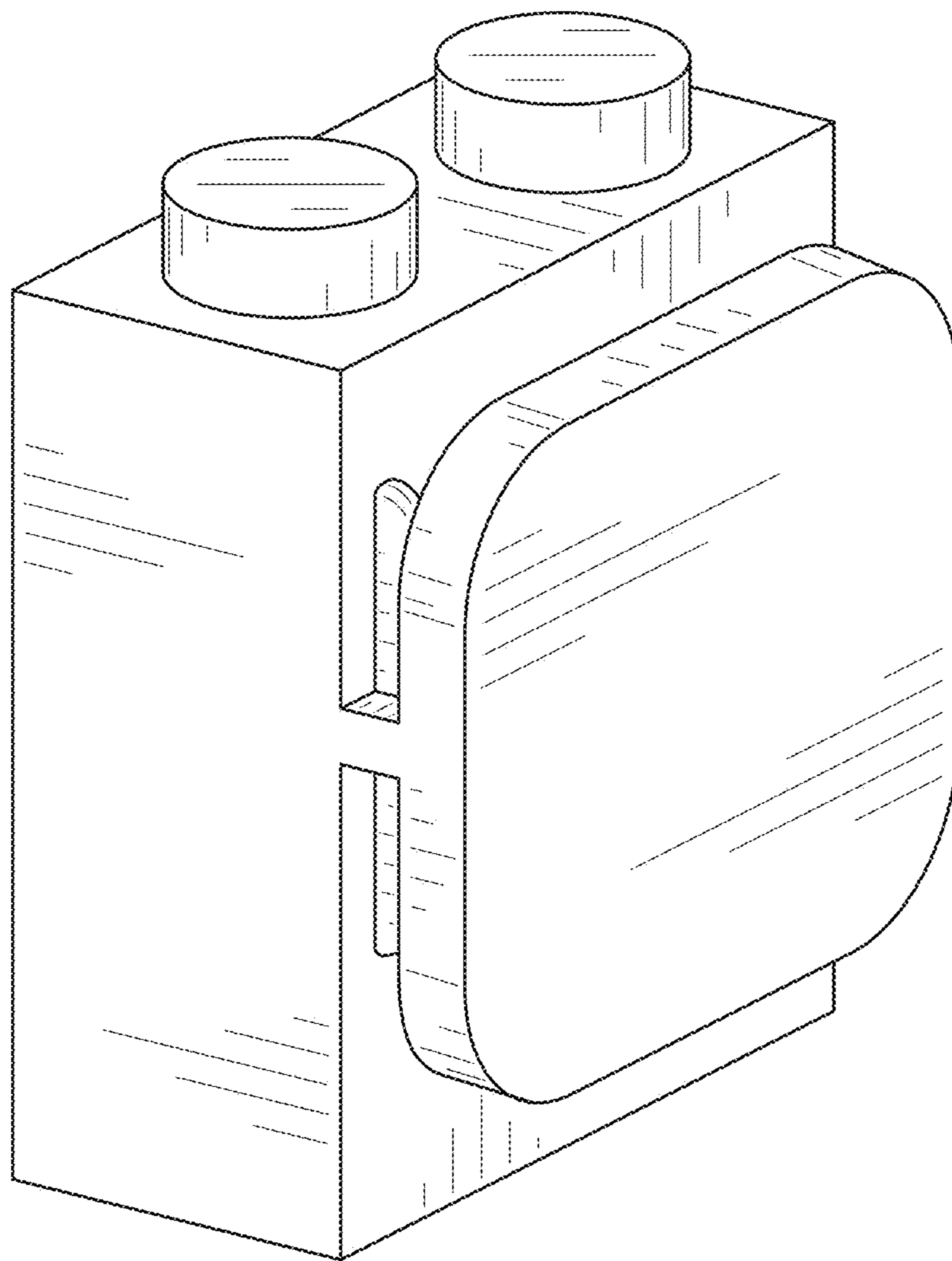


FIG. 1

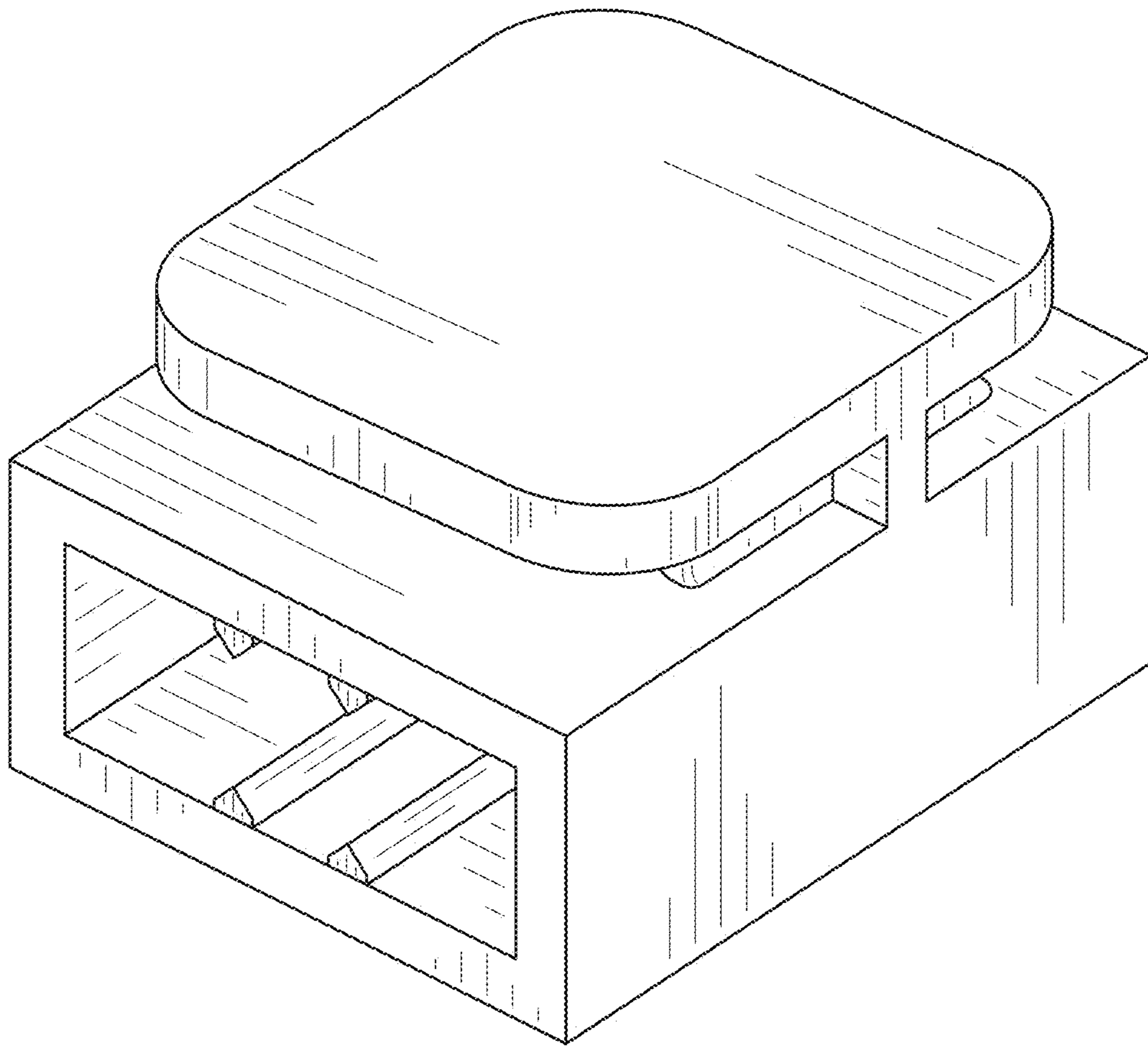


FIG. 2

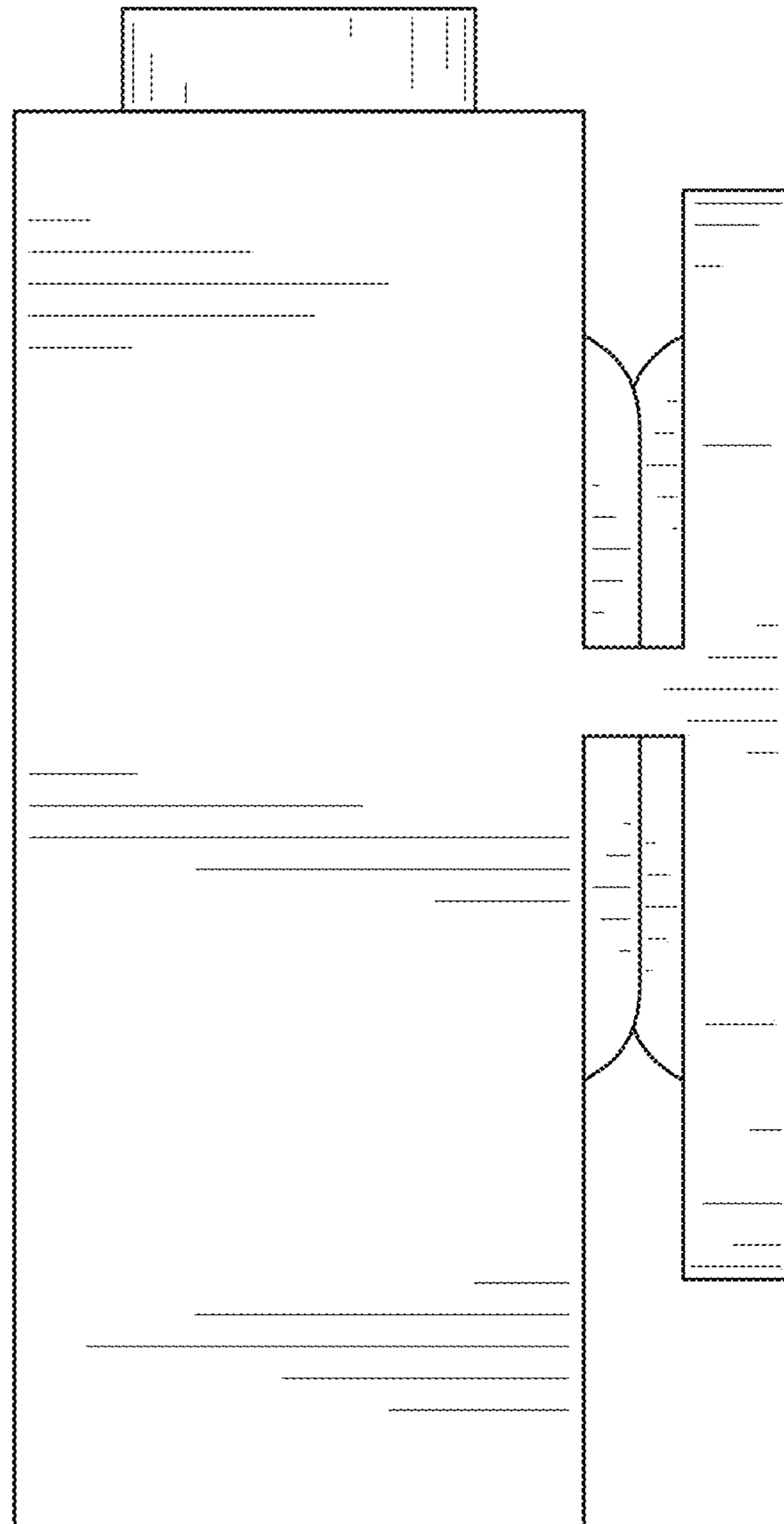


FIG. 3

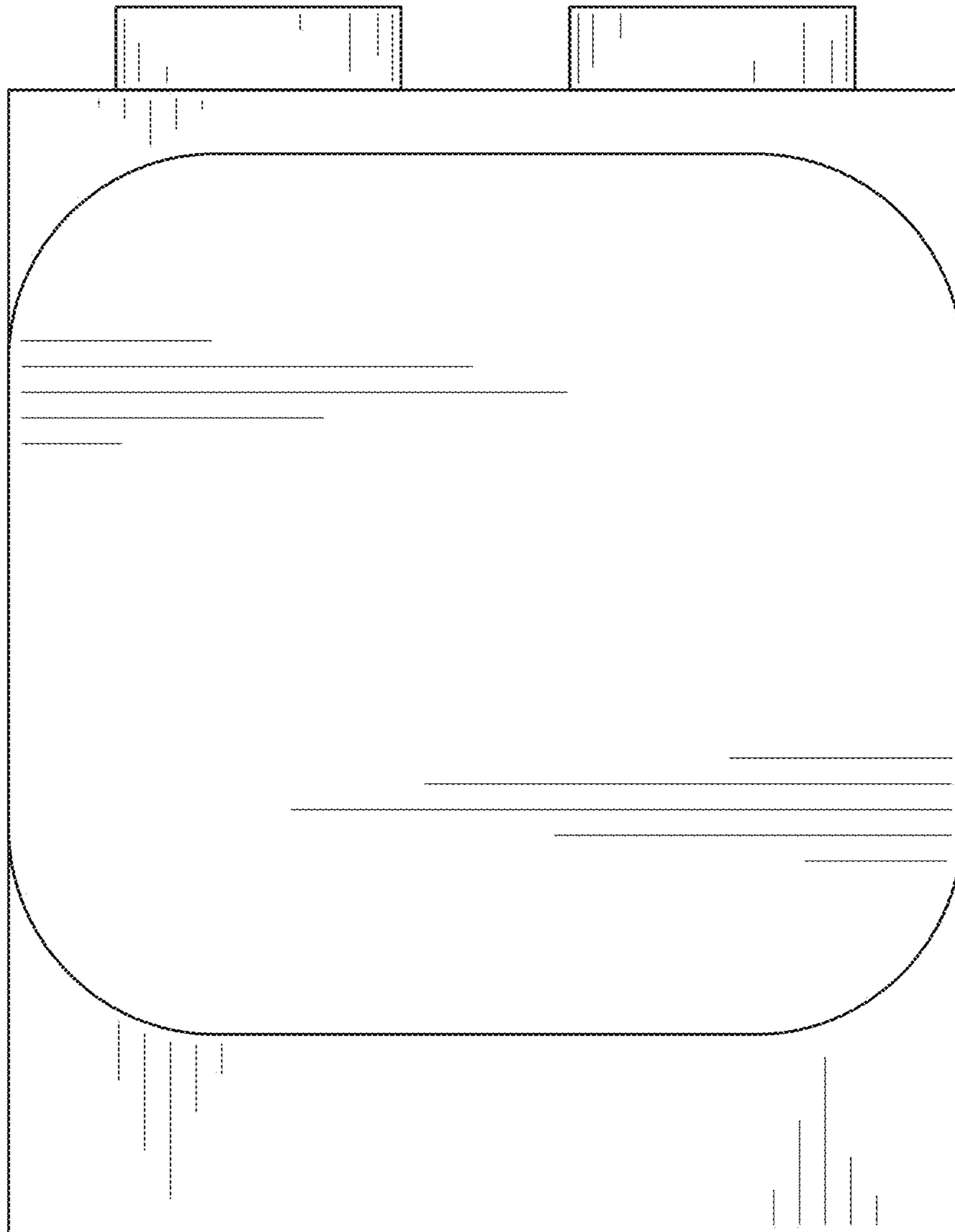


FIG. 4

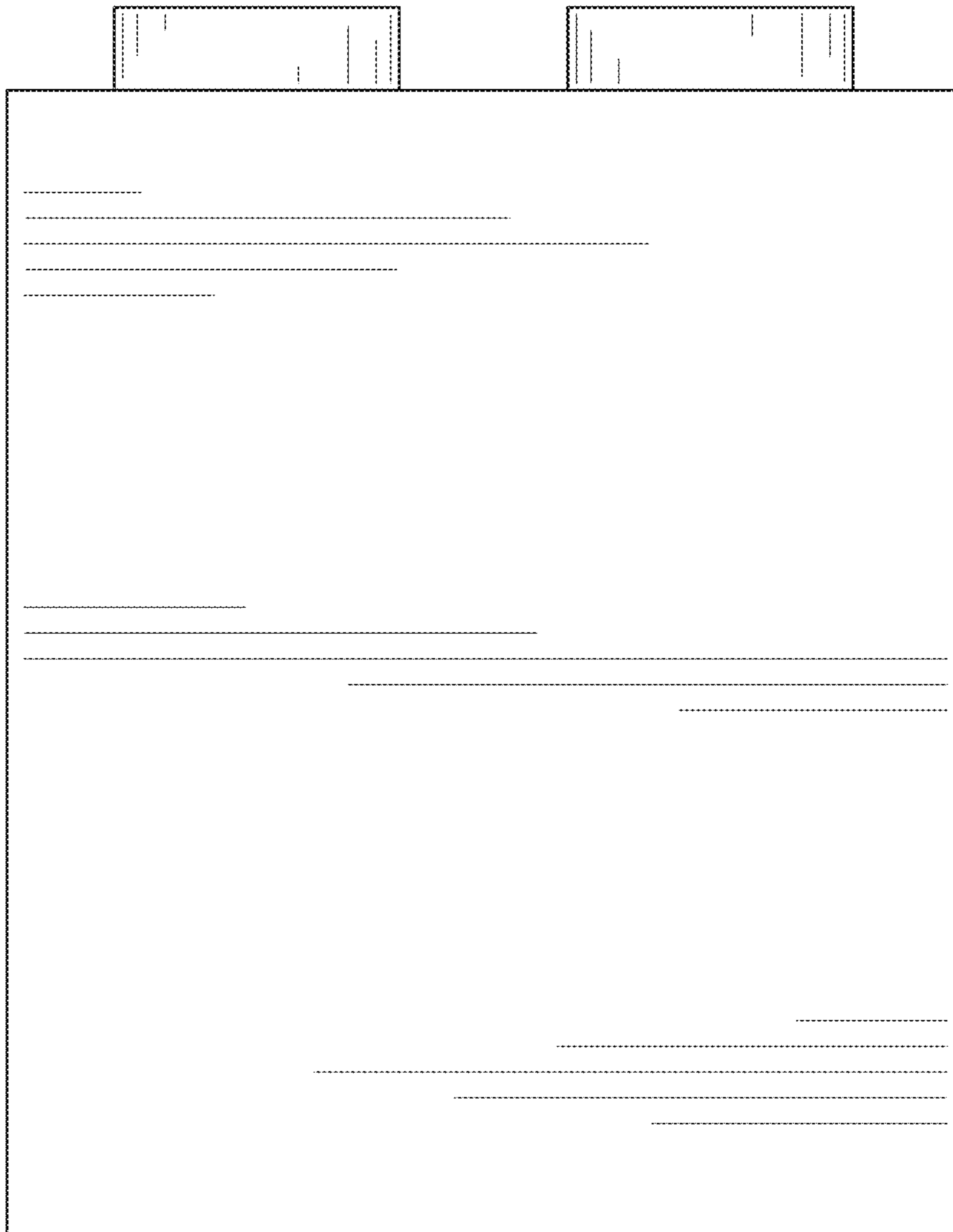


FIG. 5

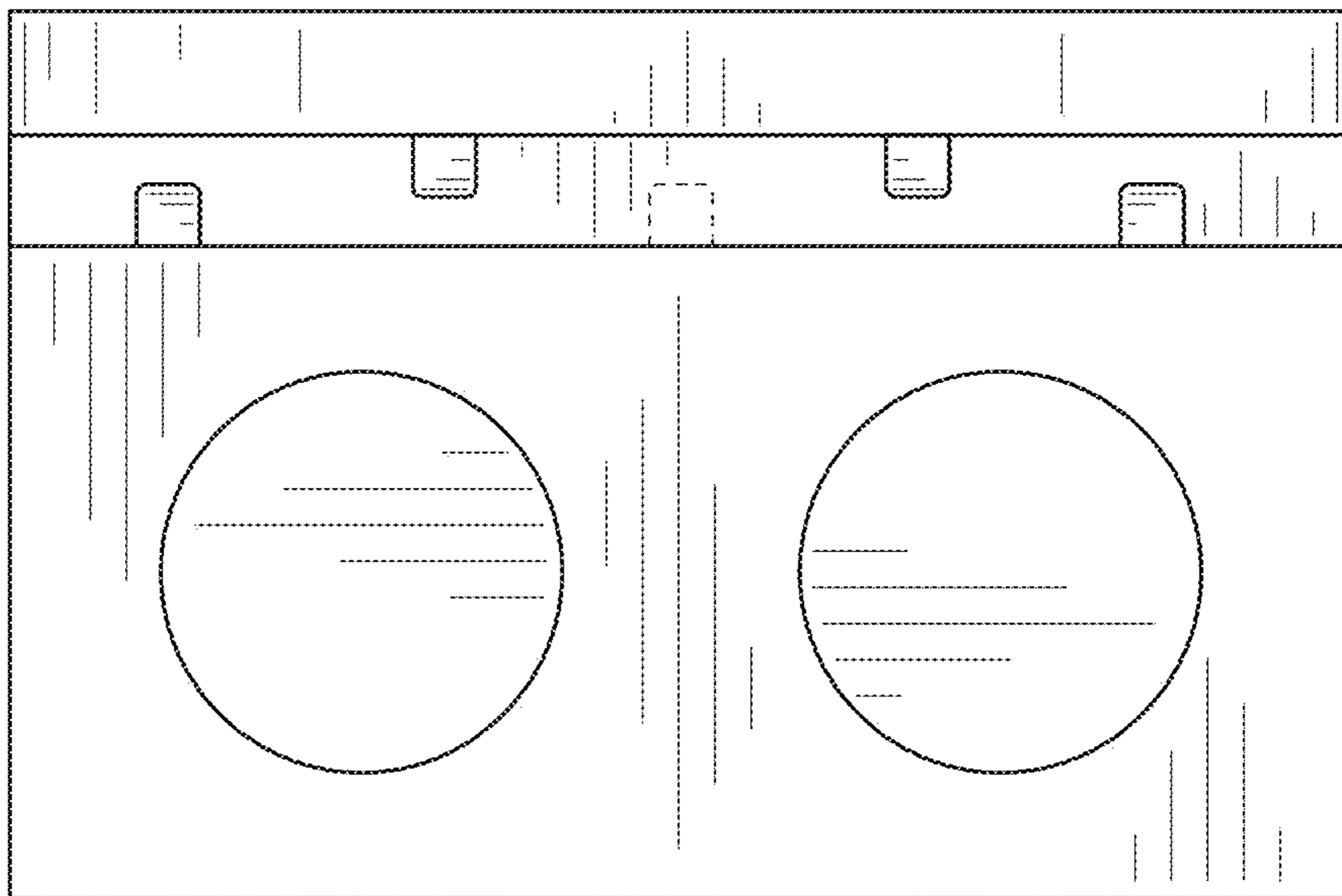


FIG. 6



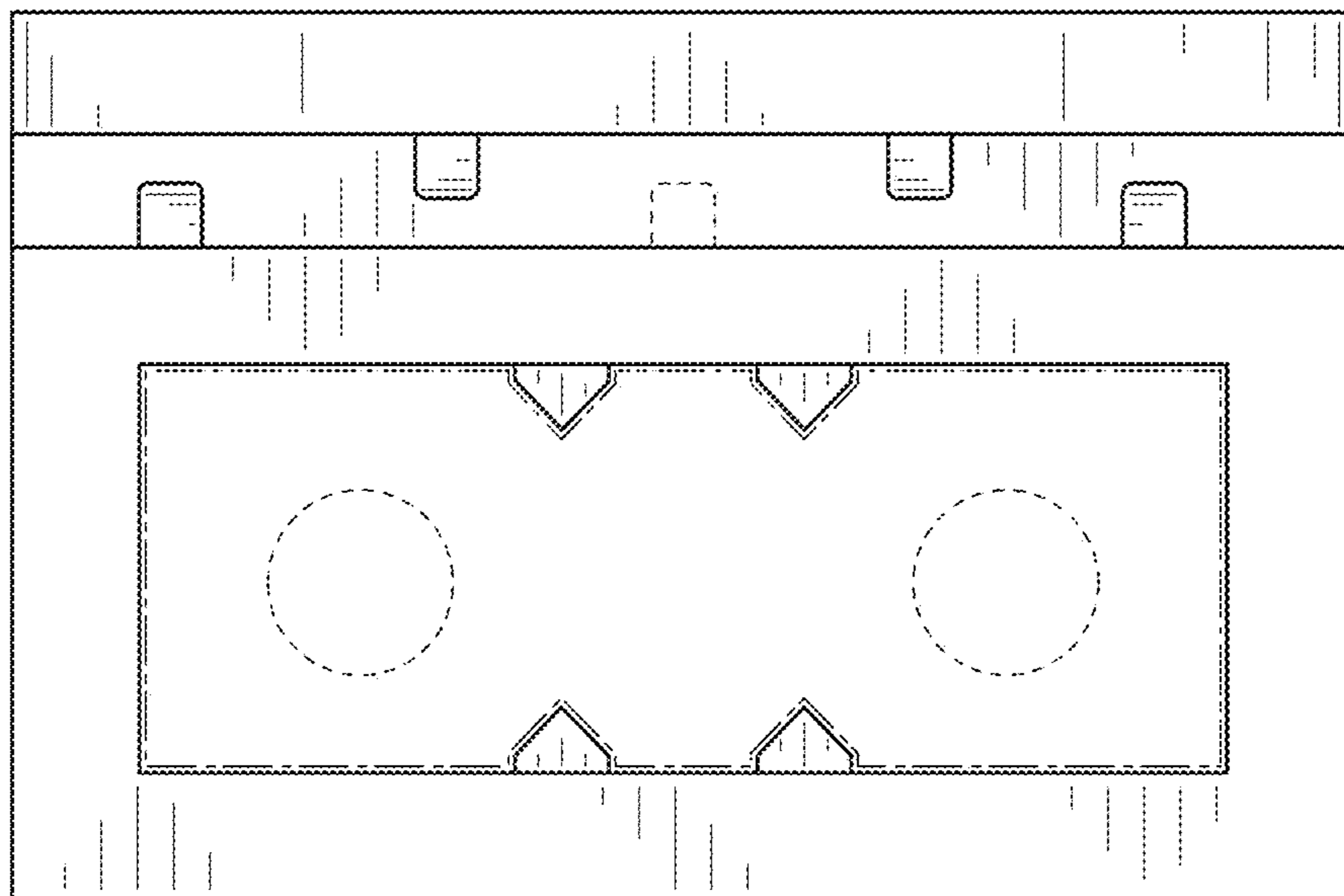


FIG. 7

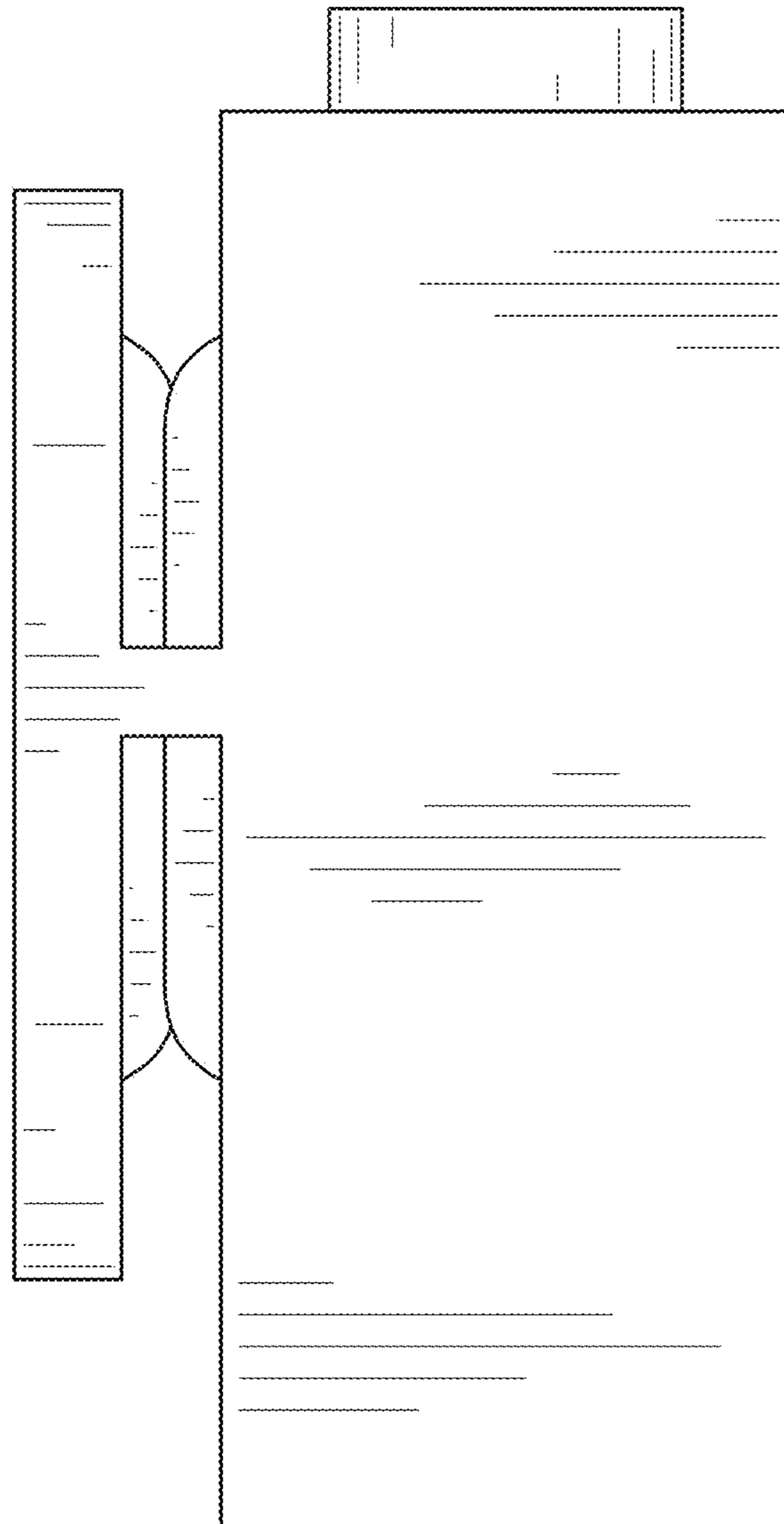


FIG. 8