



US00D981503S

(12) **United States Design Patent** (10) **Patent No.:** **US D981,503 S**
Nousiainen (45) **Date of Patent:** **** Mar. 21, 2023**

(54) **ELEMENT FOR A TOY BUILDING SET**

- (71) Applicant: **Lego A/S**, Billund (DK)
- (72) Inventor: **Esa Nousiainen**, Billund (DK)
- (73) Assignee: **LEGO A/S**, Billund (DK)
- (**) Term: **15 Years**
- (21) Appl. No.: **29/762,770**
- (22) Filed: **Dec. 18, 2020**
- (51) **LOC (14) Cl.** **21-01**
- (52) **U.S. Cl.**
USPC **D21/499**; D21/501
- (58) **Field of Classification Search**
USPC D21/484–505
CPC A63H 33/04; A63H 33/06; A63H 33/062;
A63H 33/08; A63H 33/082; A63H
33/084; A63H 33/086; A63H 33/088
See application file for complete search history.

(56) **References Cited**

U.S. PATENT DOCUMENTS

D394,465 S *	5/1998	Schmidt	D21/501
D581,986 S *	12/2008	Evitt	D8/382
D600,291 S *	9/2009	Christensen	D21/501
D610,628 S *	2/2010	Christensen	D21/502
D612,435 S *	3/2010	Sisamos	A63H 33/101
				D21/502
9,555,339 B2 *	1/2017	Lu	A63H 33/08
D795,359 S *	8/2017	Ahn	D21/499
D825,678 S *	8/2018	Sisamos	D21/502
D892,230 S *	8/2020	Wu	D21/499
D892,231 S *	8/2020	Jung	A63H 33/06
				D21/499
D914,108 S *	3/2021	Gaba	D21/499
D915,527 S *	4/2021	He	D21/499
D937,937 S *	12/2021	Nevgi	A63H 33/062
				D21/499

OTHER PUBLICATIONS

New Elementary, 1x1 “Snot” Lego Bricks, designs available as early as 1980, posted on Dec. 21, 2016, site visited on Apr. 12, 2021, Available from Internet, <URL:https://www.newelementary.com/2016/12/review-logo-nodular-assembly-square-10255.html>.
BrickLink, “Lego Brick, Modified 1x1 with Headlight [Brick, Modified], Part 4070”—BrickLink Reference Catalog, designs available as early as 1980, posted on Dec. 21, 2016, site visited on Apr. 22, 2021, Available from Internet, <URL:https://www.bricklink.com/catalogItemPic.asp?P=4070&tab=1>.
BrickLink, “Lego Brick, Modified 1x1 with Stud on 1 Side, Part 87087,” BrickLink Reference Catalog, designs available as early as 2009, posted on Dec. 21, 2016, site visited on Apr. 22, 2021, Available from Internet, <https://www.bricklink.com/v2/catalog/catalogitem.page?P=87087&name=Brick,%20Modified%201%20x%201%20with%20Stud%20on%201%20Side&category=%5BBrick,%20Modified%5D#T=C>.

(Continued)

Primary Examiner — Cynthia M. Chin
(74) *Attorney, Agent, or Firm* — Fross, Zelnick, Lehrman & Zissu PC; Charles T. J. Weigell, Esq.

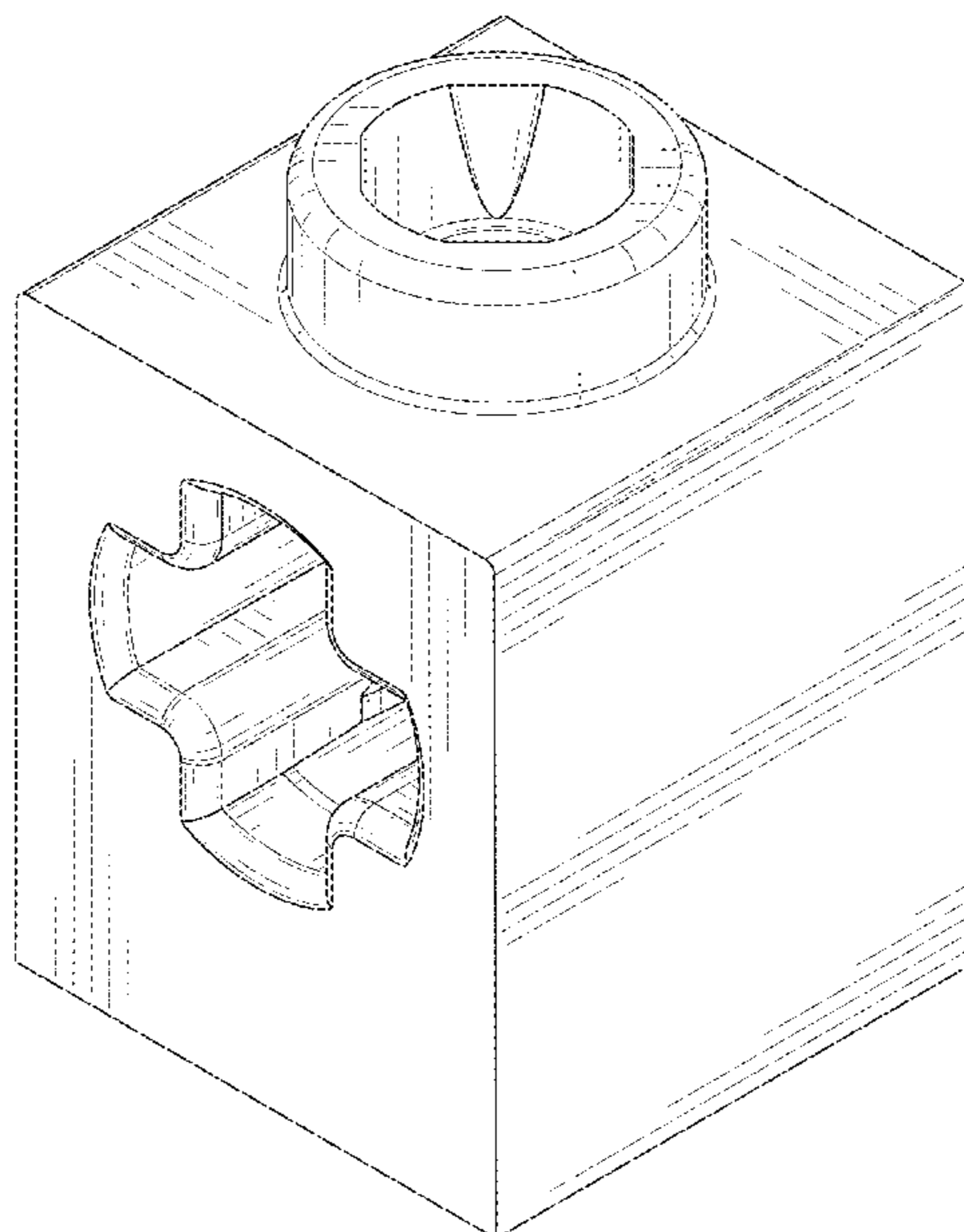
(57) **CLAIM**

The ornamental design for an element for a toy building set, as shown and described.

DESCRIPTION

FIG. 1 is a front perspective view of the element for a toy building set showing my new design;
FIG. 2 is a front view thereof;
FIG. 3 is a back view thereof;
FIG. 4 is a left side view thereof;
FIG. 5 is a right side view thereof;
FIG. 6 is a top view thereof; and,
FIG. 7 is a bottom view thereof.
The portions of the element for a toy building set shown in broken lines form no part of the claimed design.

1 Claim, 7 Drawing Sheets



(56)

References Cited

OTHER PUBLICATIONS

BrickLink, "Modified 1x1 with Studs on 2 Sides, Adjacent, Part 26604," BrickLink Reference Catalog, designs available as early as 2017, posted on Dec. 21, 2016, site visited on Apr. 22, 2021, Available from Internet, <<https://www.bricklink.com/v2/catalog/catalogitem.page?P=26604&name=Brick,%20Modified%201%20x%201%20with%20Studs%20on%202%20Sides,%20Adjacent&category=%5BBrick,%20Modified%5D#T=C>>.

BrickLink, "Modified 1x1 with Studs on 2 Sides, Opposite, Part 47905," BrickLink Reference Catalog, designs available as early as 2004, posted on Dec. 21, 2016, site visited on Apr. 22, 2021, Available from Internet, <<https://www.bricklink.com/v2/catalog/catalogitem.page?P=47905&name=Brick,%20Modified%201%20x%201%20with%20Studs%20on%202%20Sides,%20Opposite&category=%5BBrick,%20Modified%5D#T=C>>.

BrickLink, "Brick, Modified 1x1 with Studs on 4 Sides, Part 4733," BrickLink Reference Catalog, designs available as early as 1985, posted on Dec. 21, 2016, site visited on Apr. 22, 2021, Available from Internet, <<https://www.bricklink.com/v2/catalog/catalogitem.page?P=4733&name=Brick,%20Modified%201%20x%201%20with%20Studs%20on%204%20Sides&category=%5BBrick,%20Modified%5D#T=C>>.

* cited by examiner

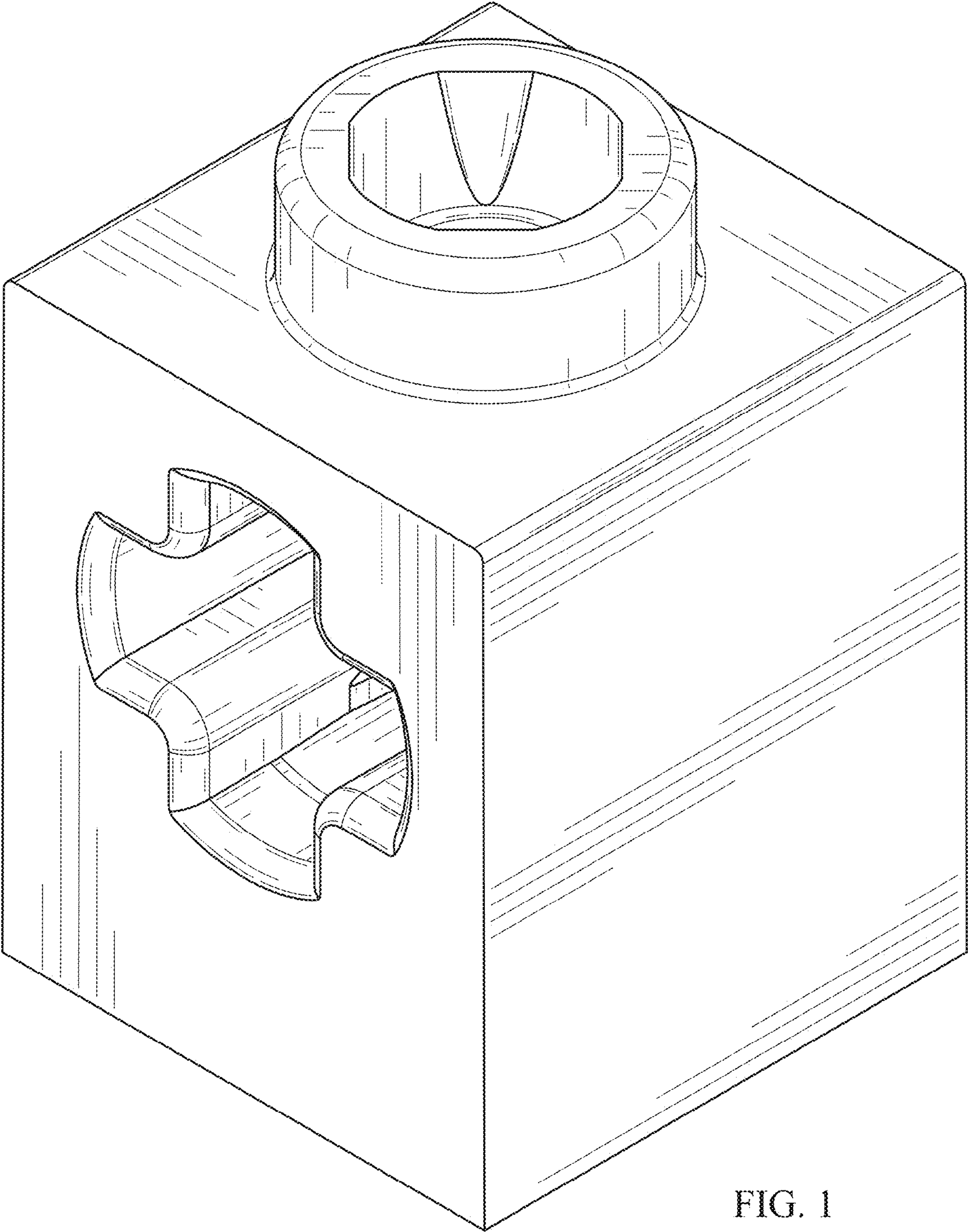


FIG. 1

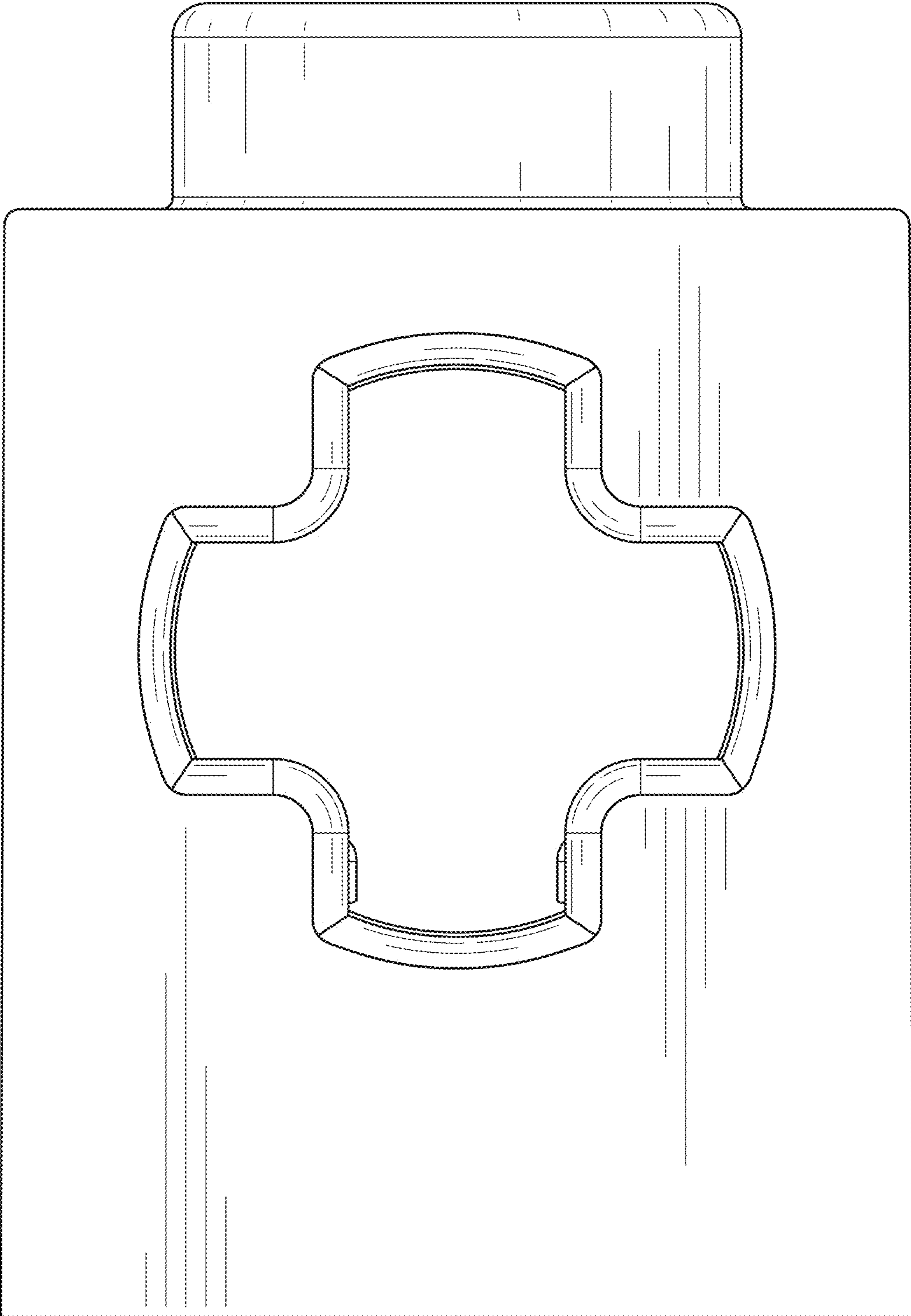


FIG. 2

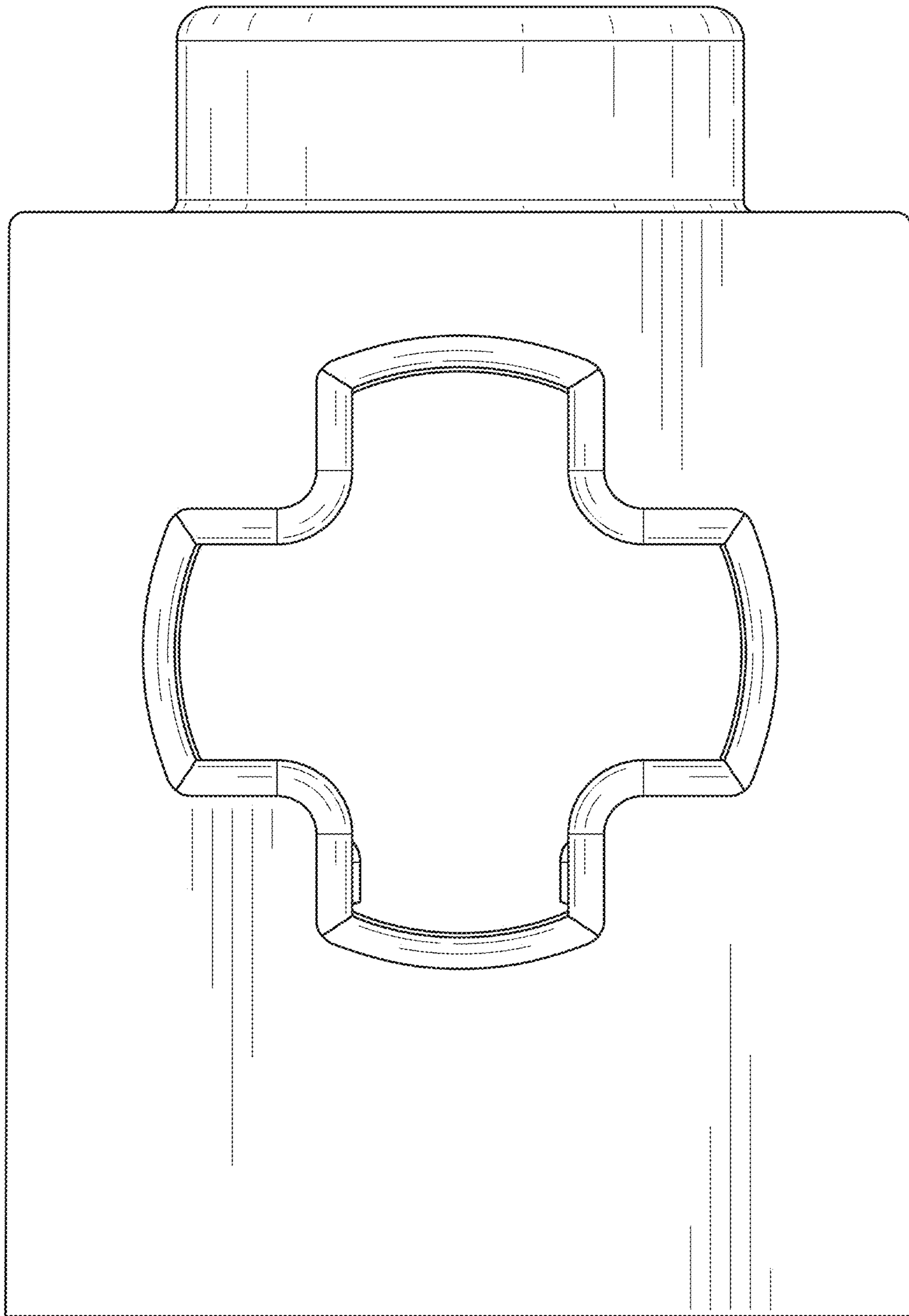


FIG. 3

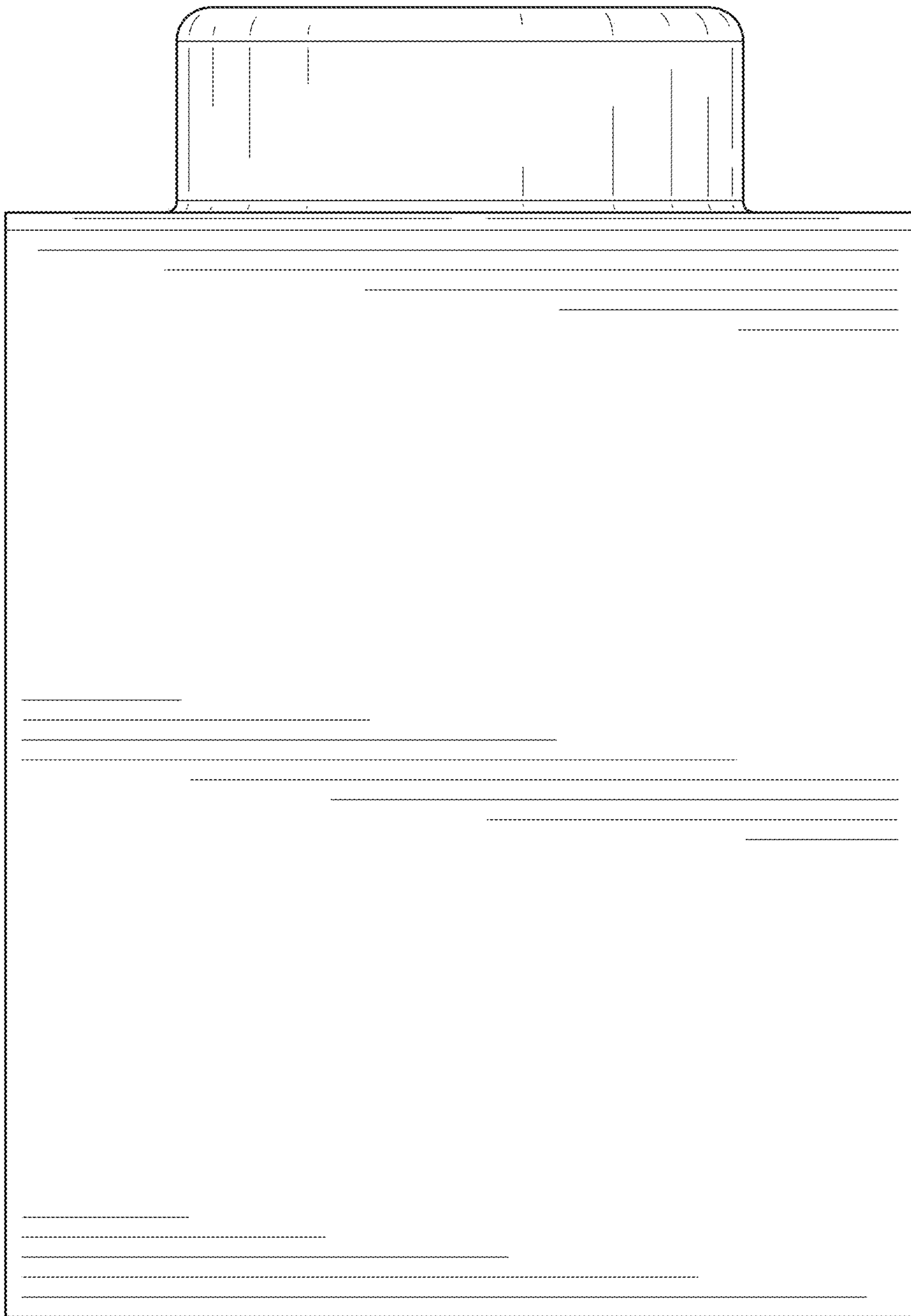


FIG. 4

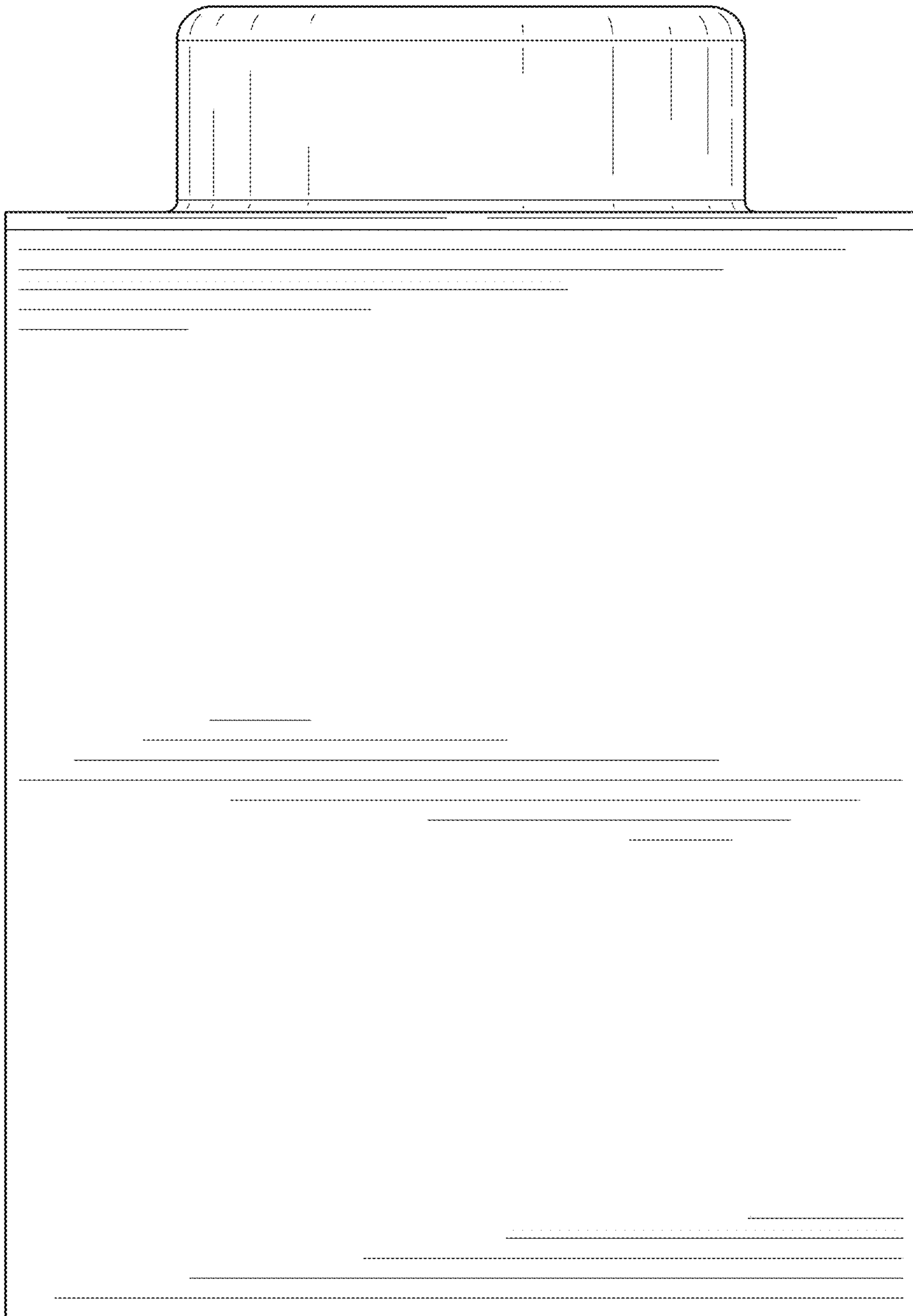


FIG. 5

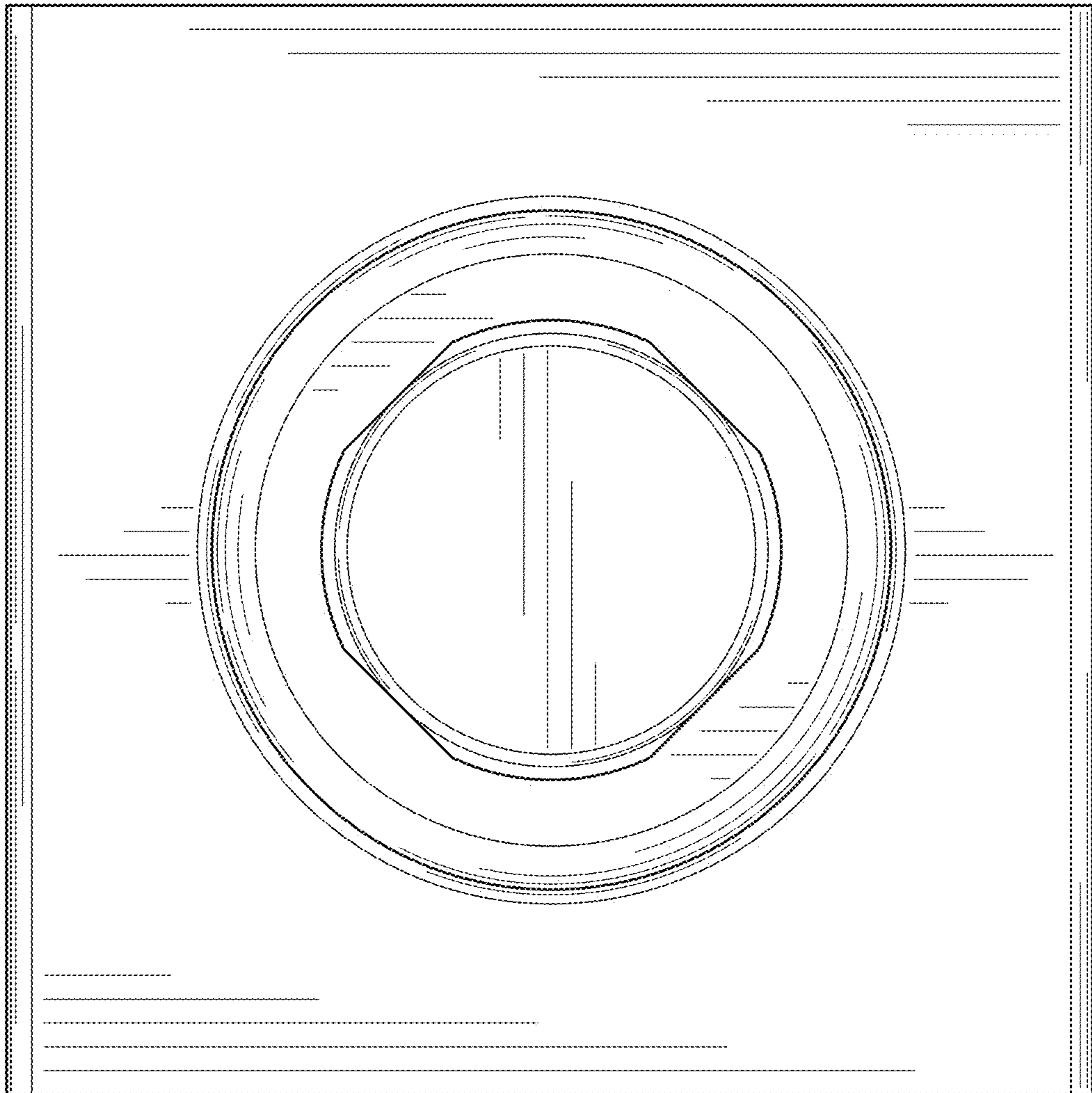


FIG. 6

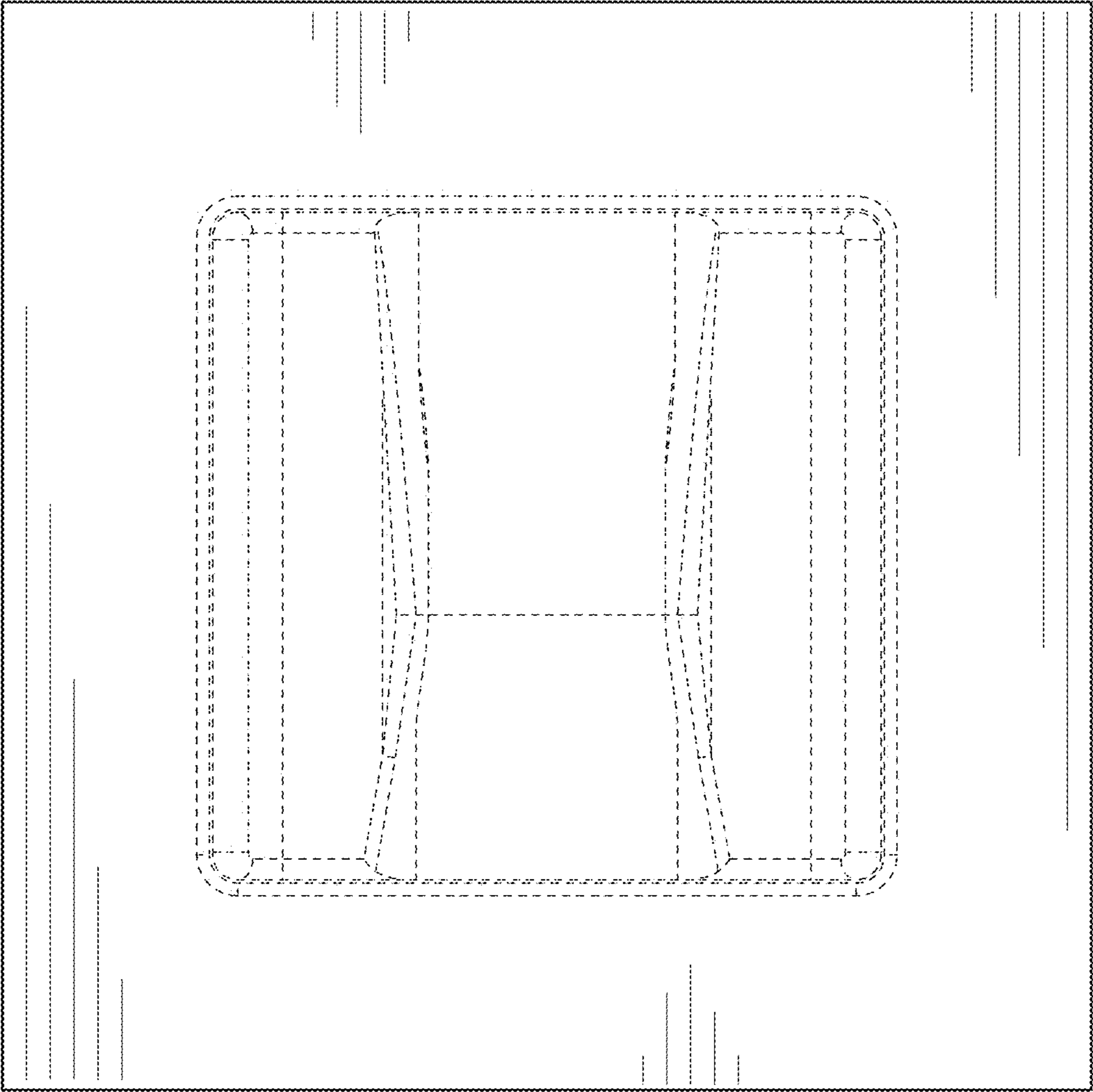


FIG. 7