



US00D981501S

(12) **United States Design Patent**
Iasperse

(10) **Patent No.:** **US D981,501 S**
(45) **Date of Patent:** **** Mar. 21, 2023**

(54) **ELEMENT FOR A TOY BUILDING SET**

- (71) Applicant: **Lego A/S**, Billund (DK)
- (72) Inventor: **Marinus Iasperse**, Billund (DK)
- (73) Assignee: **LEGO A/S**, Billund (DK)
- (**) Term: **15 Years**
- (21) Appl. No.: **29/762,789**
- (22) Filed: **Dec. 18, 2020**
- (51) **LOC (14) Cl.** **21-01**
- (52) **U.S. Cl.**
USPC **D21/487**
- (58) **Field of Classification Search**
USPC D21/484-505
CPC A63H 33/04; A63H 33/06; A63H 33/062;
A63H 33/08; A63H 33/082; A63H
33/084; A63H 33/086; A63H 33/088
See application file for complete search history.

(56) **References Cited**

U.S. PATENT DOCUMENTS

D281,440 S *	11/1985	Petersson	D21/487
4,998,903 A *	3/1991	Bolli	A63H 31/10 446/128
D324,169 S *	2/1992	Hebert, Sr.	D8/382
7,736,211 B2 *	6/2010	Marzetta	A63H 33/106 446/85
D706,362 S *	6/2014	Norman	D21/487
D706,877 S *	6/2014	Norman	D21/487
D711,972 S *	8/2014	Norman	D21/487
D711,973 S *	8/2014	Norman	D21/487
D715,871 S *	10/2014	Norman	D21/487
D739,477 S *	9/2015	Simonds	D21/502
D903,779 S *	12/2020	Rosen	D21/487
D955,501 S *	6/2022	Hwang	D21/487
D963,059 S *	9/2022	Sudarsono	D21/487

OTHER PUBLICATIONS

Brick Owl, Lego Black Technic Pin with Friction Ridges and Slots (2780 / 61332), design available as early as 1985, site visited on Apr. 14, 2021, Available from Internet, <URL:https://www.brickowl.com/catalog/lego-black-technic-pin-with-friction-ridges-and-slots-2780-61332>.

Brick Owl, Lego Pin without Friction Ridges (3673), design available as early as 1977, site visited on Apr. 14, 2021, Available from Internet, <URL:https://www.brickowl.com/catalog/lego-pin-without-friction-ridges-3673>.

* cited by examiner

Primary Examiner — Cynthia M. Chin

(74) *Attorney, Agent, or Firm* — Fross, Zelnick, Lehrman & Zissu PC; Charles T. J. Weigell, Esq.

(57) **CLAIM**

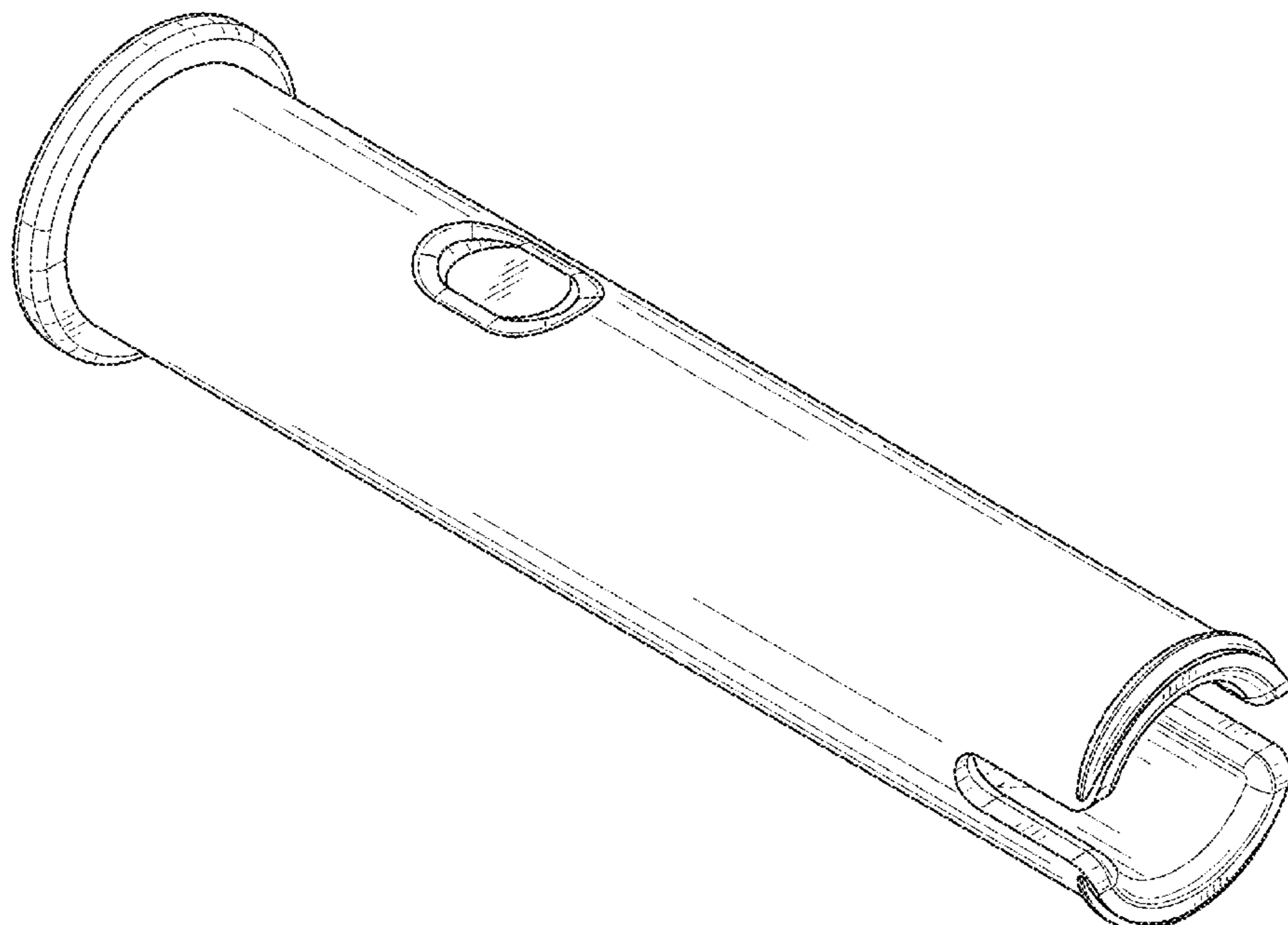
The ornamental design for an element for a toy building set, as shown and described.

DESCRIPTION

FIG. 1 is a perspective view of the element for a toy building set showing my new design;
 FIG. 2 is a front view thereof;
 FIG. 3 is a back view thereof;
 FIG. 4 is a left side view thereof;
 FIG. 5 is a right side view thereof;
 FIG. 6 is a top view thereof; and,
 FIG. 7 is a bottom view thereof.

The broken lines are for the purpose of illustrating portions of the element for a toy building set that form no part of the claimed design.

1 Claim, 5 Drawing Sheets



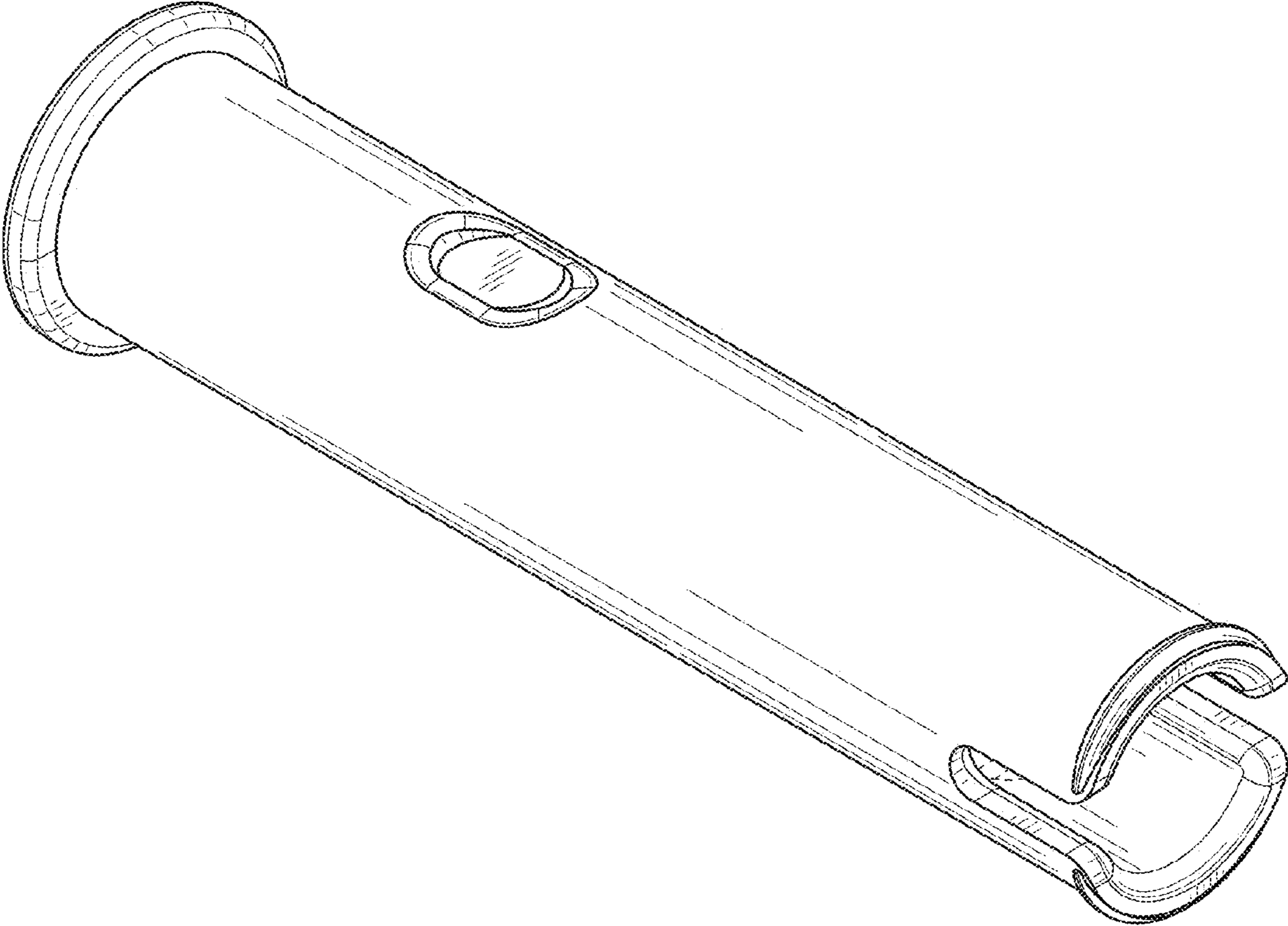


FIG. 1

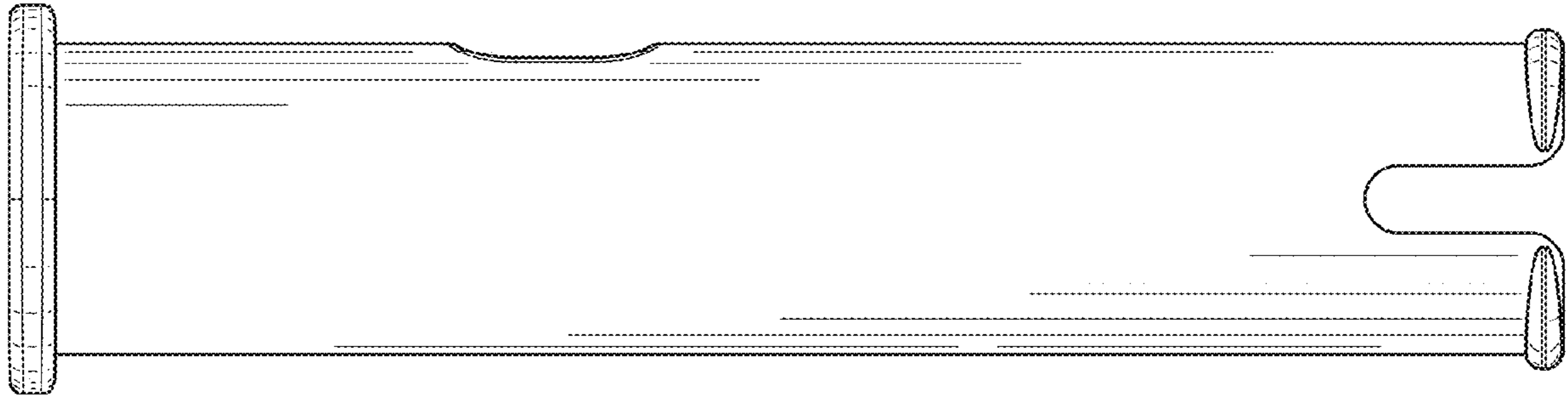


FIG. 2

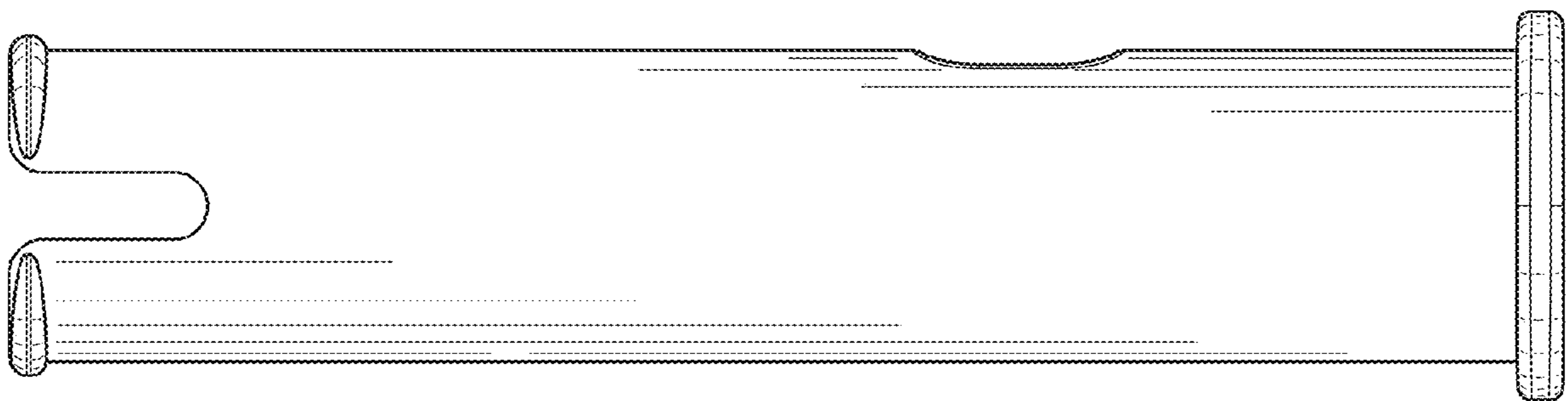


FIG. 3

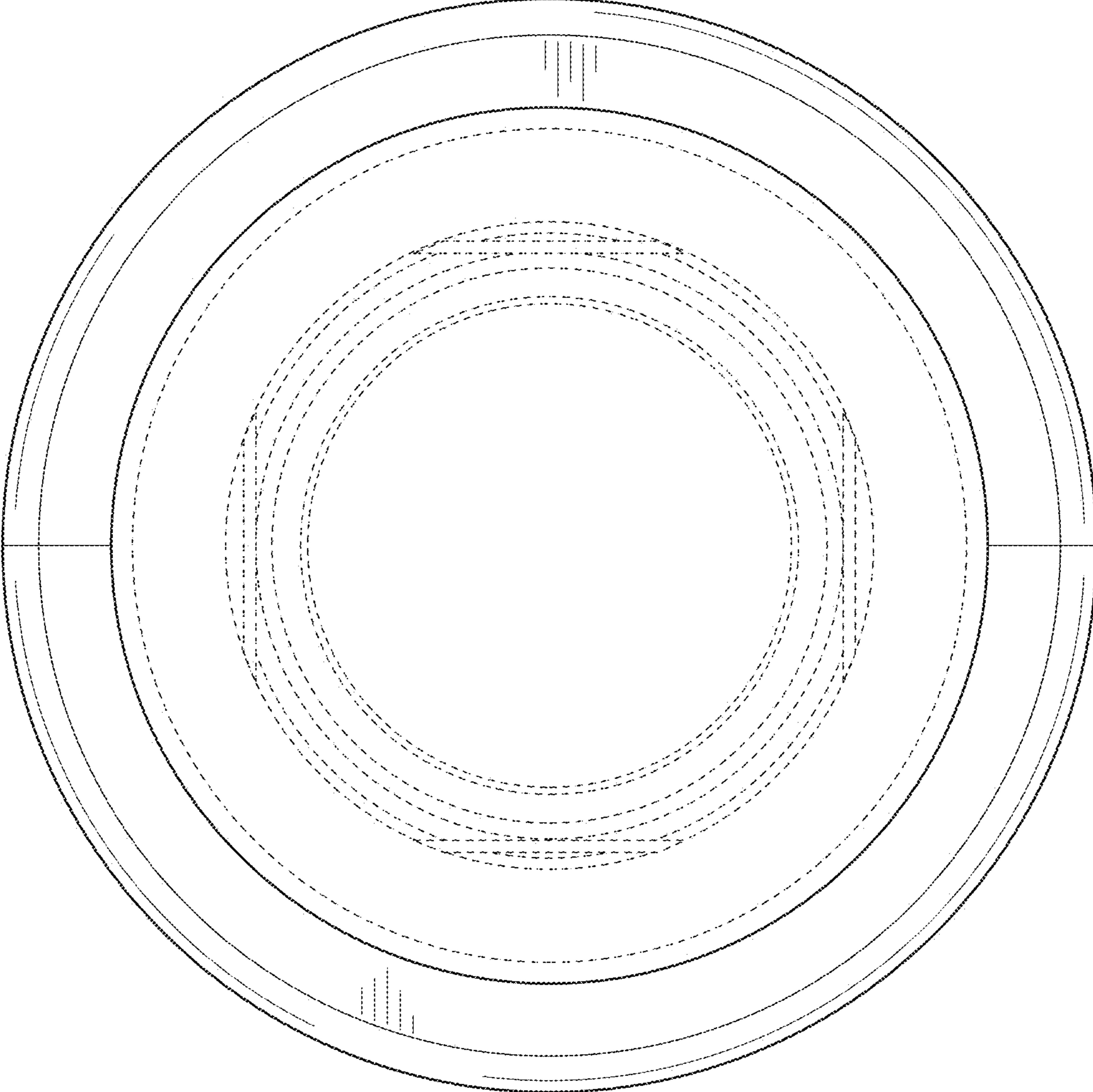


FIG. 4

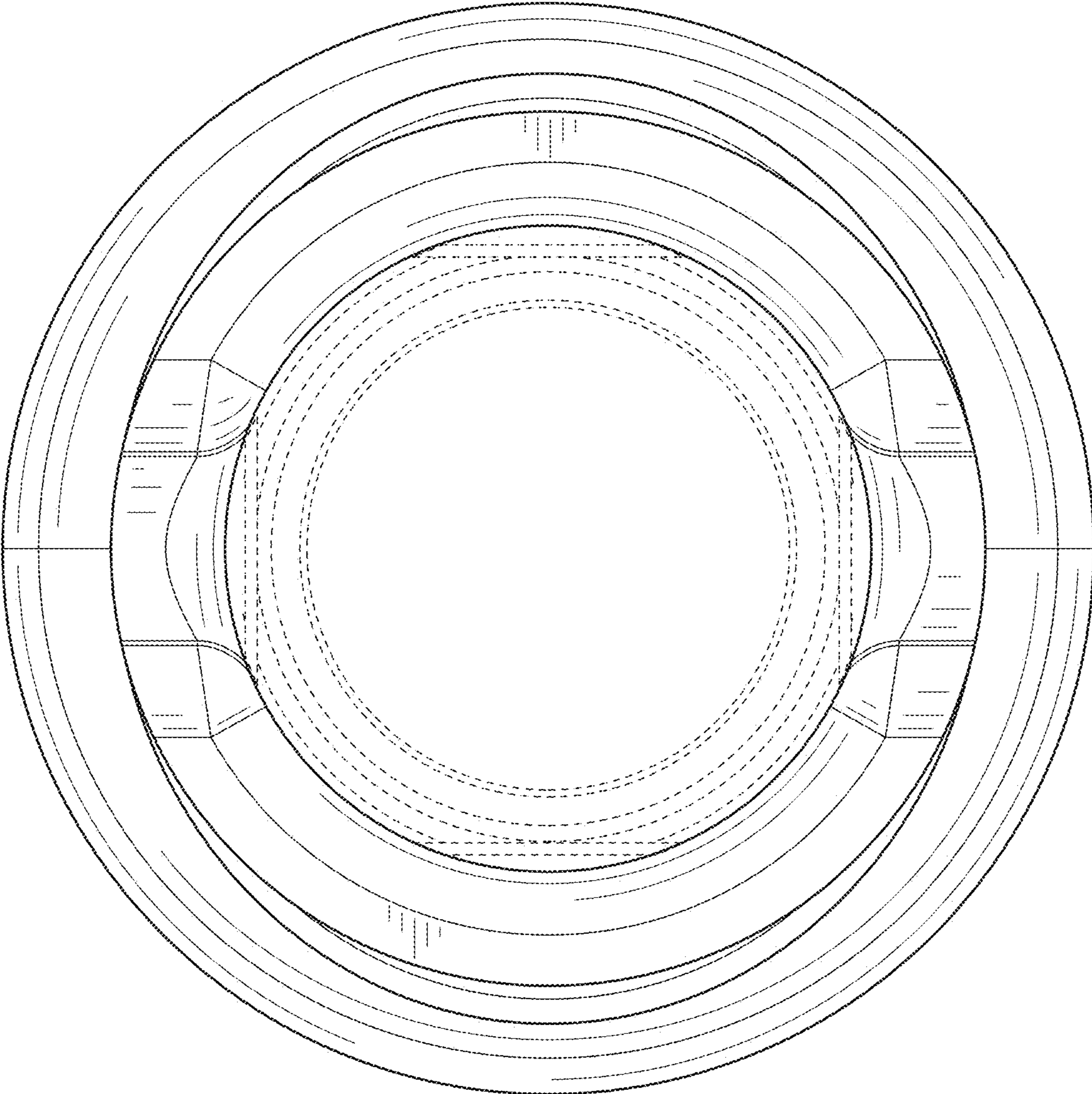


FIG. 5

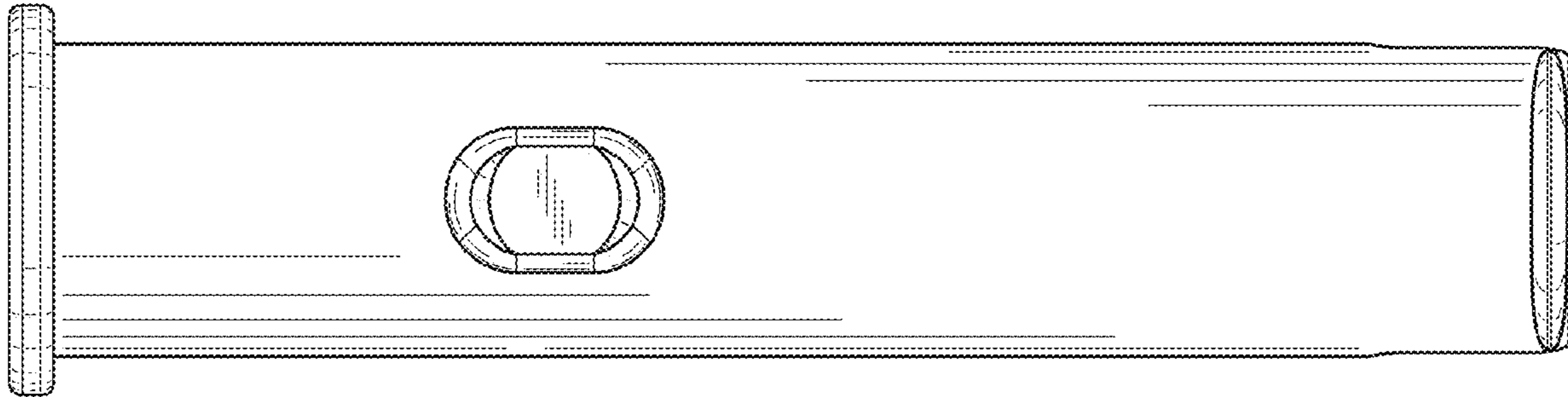


FIG. 6

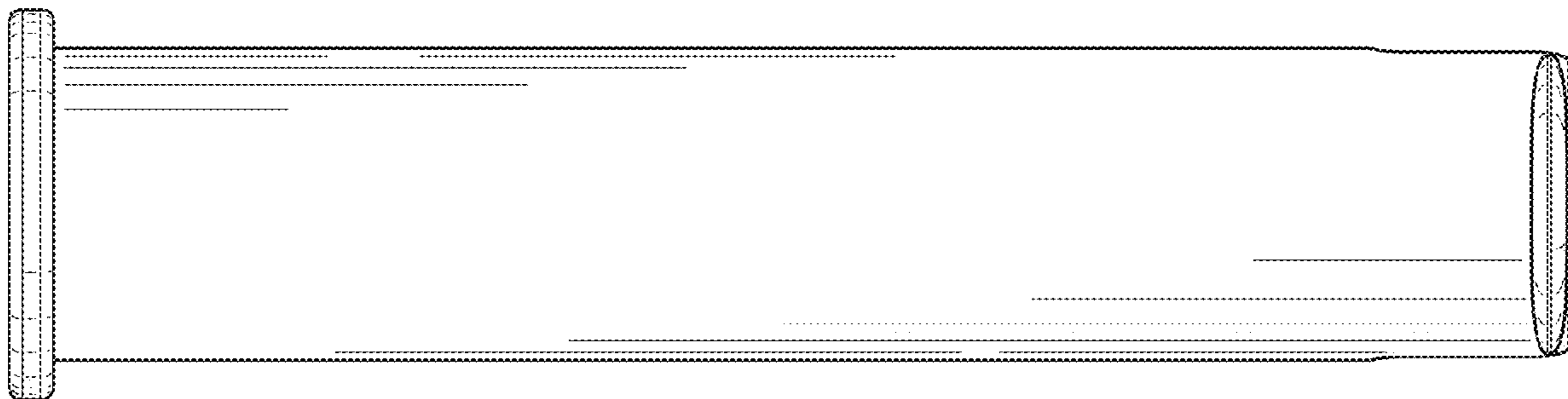


FIG. 7