



US00D981499S

(12) **United States Design Patent**
Wang

(10) **Patent No.:** **US D981,499 S**
(45) **Date of Patent:** **** Mar. 21, 2023**

- (54) **MAGNETIC TOY**
- (71) Applicant: **Yi Wang**, Guangzhou (CN)
- (72) Inventor: **Yi Wang**, Guangzhou (CN)
- (**) Term: **15 Years**
- (21) Appl. No.: **29/846,999**
- (22) Filed: **Jul. 20, 2022**

D893,635 S	8/2020	Henkin et al.	
D922,495 S *	6/2021	Lv	D21/404
D929,505 S *	8/2021	Wang	D21/490

FOREIGN PATENT DOCUMENTS

CN	306638893	*	6/2021
CN	307362391	*	5/2022
CN	307370941	*	5/2022
GB	6145706	*	6/2021
KR	301014785.0000	*	7/2019

OTHER PUBLICATIONS

Walmart Website, Magnetic Building Block, Earliest Comment Date:Jan. 11, 2020, [Website Visited on Sep. 29, 2022], Available on the internet URL <https://www.walmart.com/ip/736535769> (Year: 2022).*

* cited by examiner

Primary Examiner — S. Bryan Reinholdt, Jr.
Assistant Examiner — James T Tyree

(57) **CLAIM**

The ornamental design for a magnetic toy, as shown and described.

DESCRIPTION

FIG. 1 is a front and top perspective view of a magnetic toy, showing my new design;
FIG. 2 is a rear and bottom perspective view thereof;
FIG. 3 is a front elevation view thereof;
FIG. 4 is a rear elevation view thereof;
FIG. 5 is a left side elevation view thereof;
FIG. 6 is a right side elevation view thereof;
FIG. 7 is a top plan view thereof; and,
FIG. 8 is a bottom plan view thereof.
The broken lines in the figures illustrate portions of the magnetic toy that form no part of the claimed design.

1 Claim, 8 Drawing Sheets

(30) **Foreign Application Priority Data**

Mar. 15, 2022 (CN) 202230132579.2

(51) **LOC (14) Cl.** **21-01**

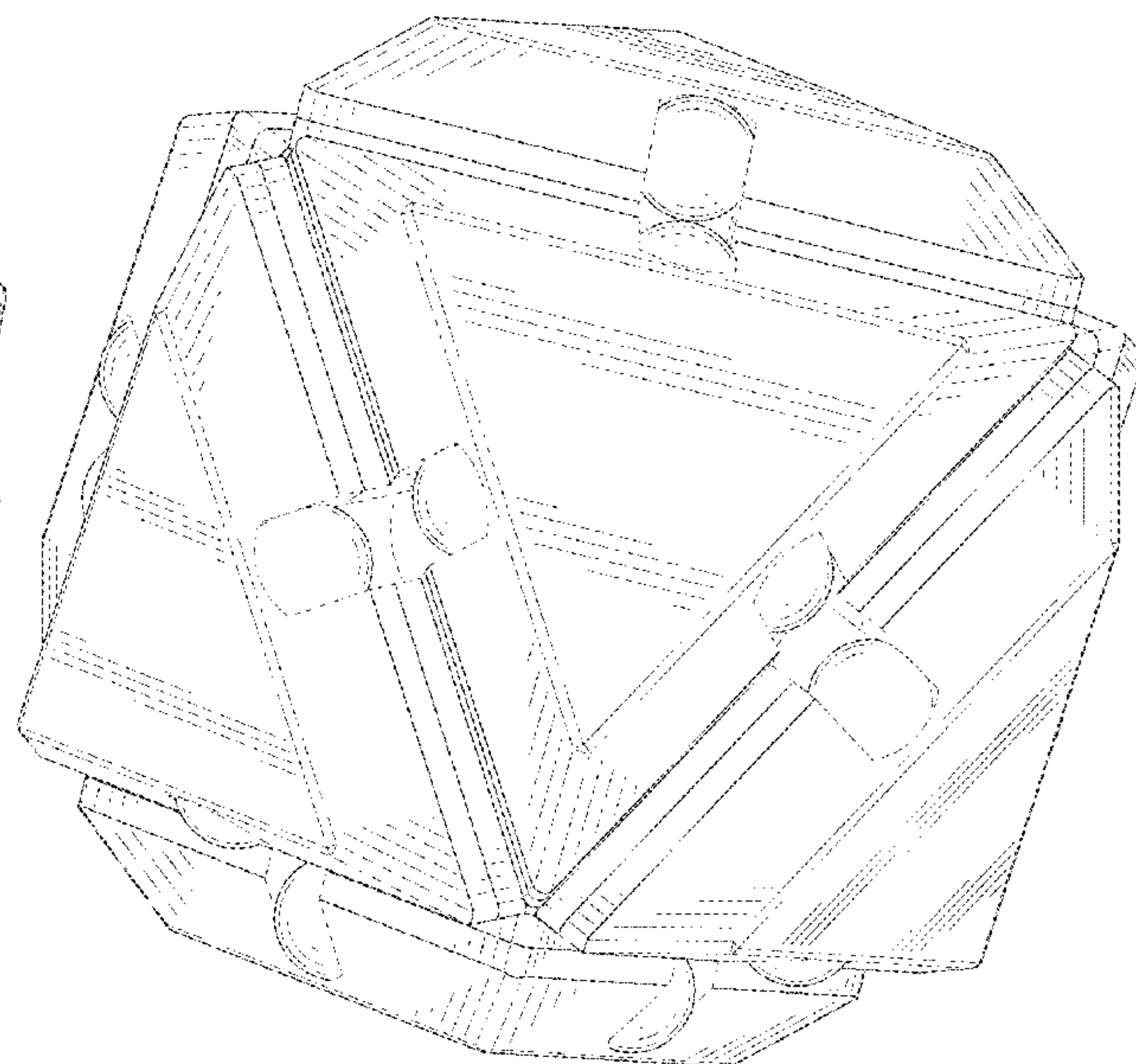
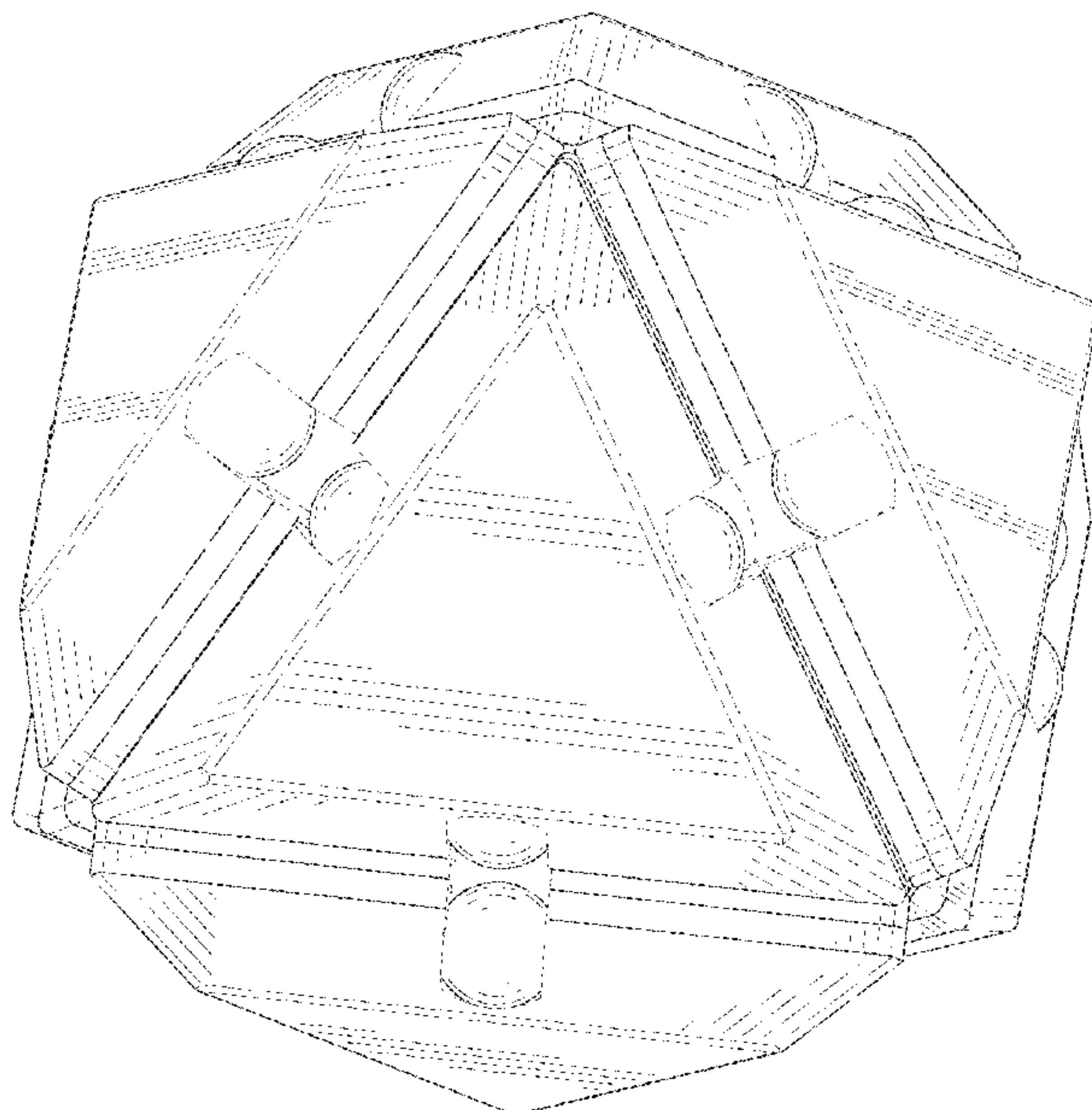
(52) **U.S. Cl.**
USPC **D21/455**; D21/398

(58) **Field of Classification Search**
USPC D21/455, 404, 489, 504, 363, 471, 479,
D21/484; D26/120; D28/64.1; D11/12,
D11/16
CPC A63H 33/046; A63H 33/06; A63H 33/08;
A63H 33/26
See application file for complete search history.

(56) **References Cited**

U.S. PATENT DOCUMENTS

3,998,004 A *	12/1976	Ehrlich	A63H 33/046
			446/92
D380,787 S *	7/1997	Gabriel	D21/489
6,926,275 B1 *	8/2005	Zocchi	A63F 9/04
			273/288
D538,357 S *	3/2007	Salmon	D21/505
D579,991 S *	11/2008	Arnstein	D21/455
7,694,463 B2 *	4/2010	Lanahan	E04B 1/3211
			52/81.3
9,458,867 B2 *	10/2016	Maunder	F16B 5/0048
D827,721 S *	9/2018	Whang	D21/404



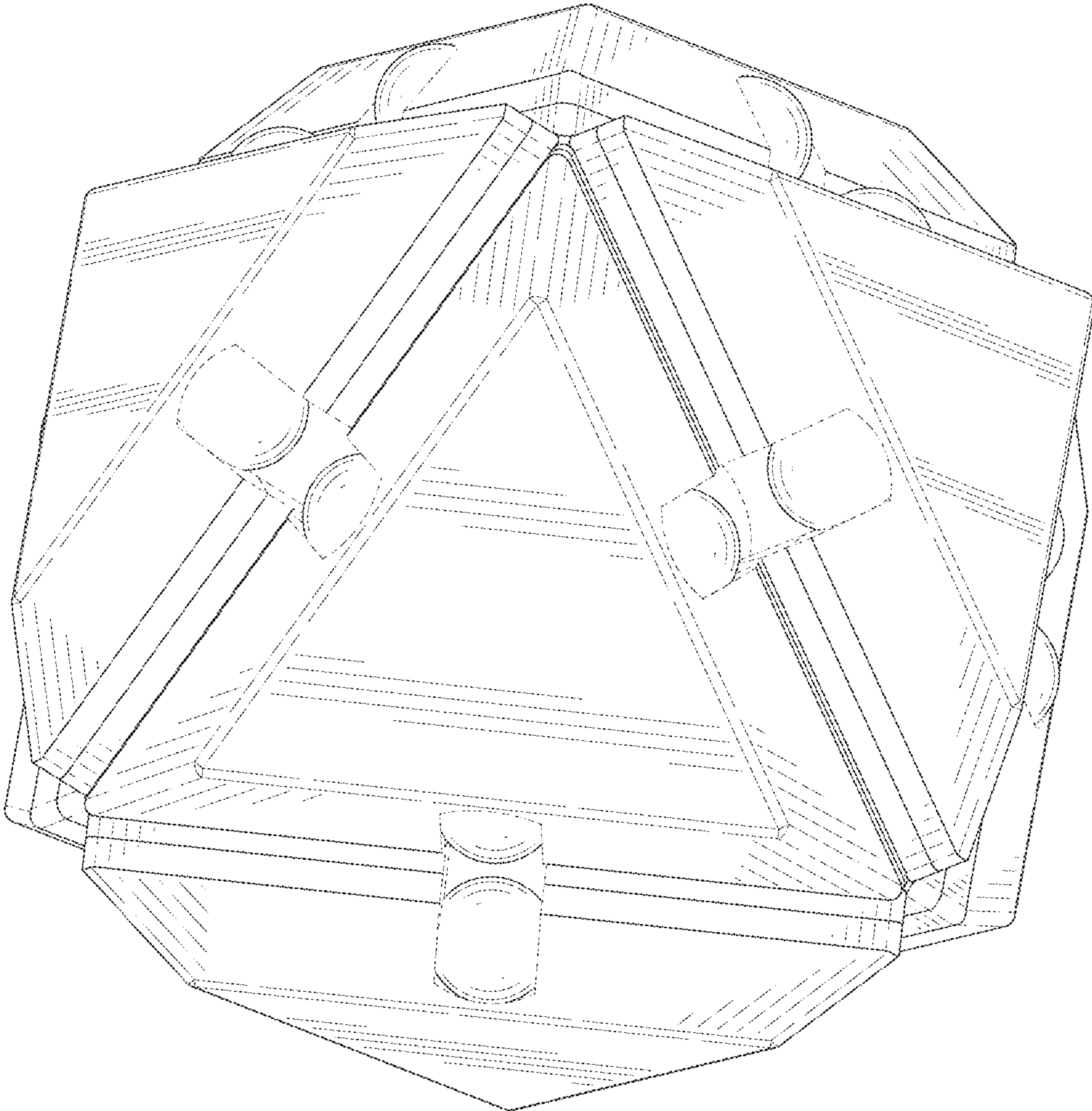


FIG. 1

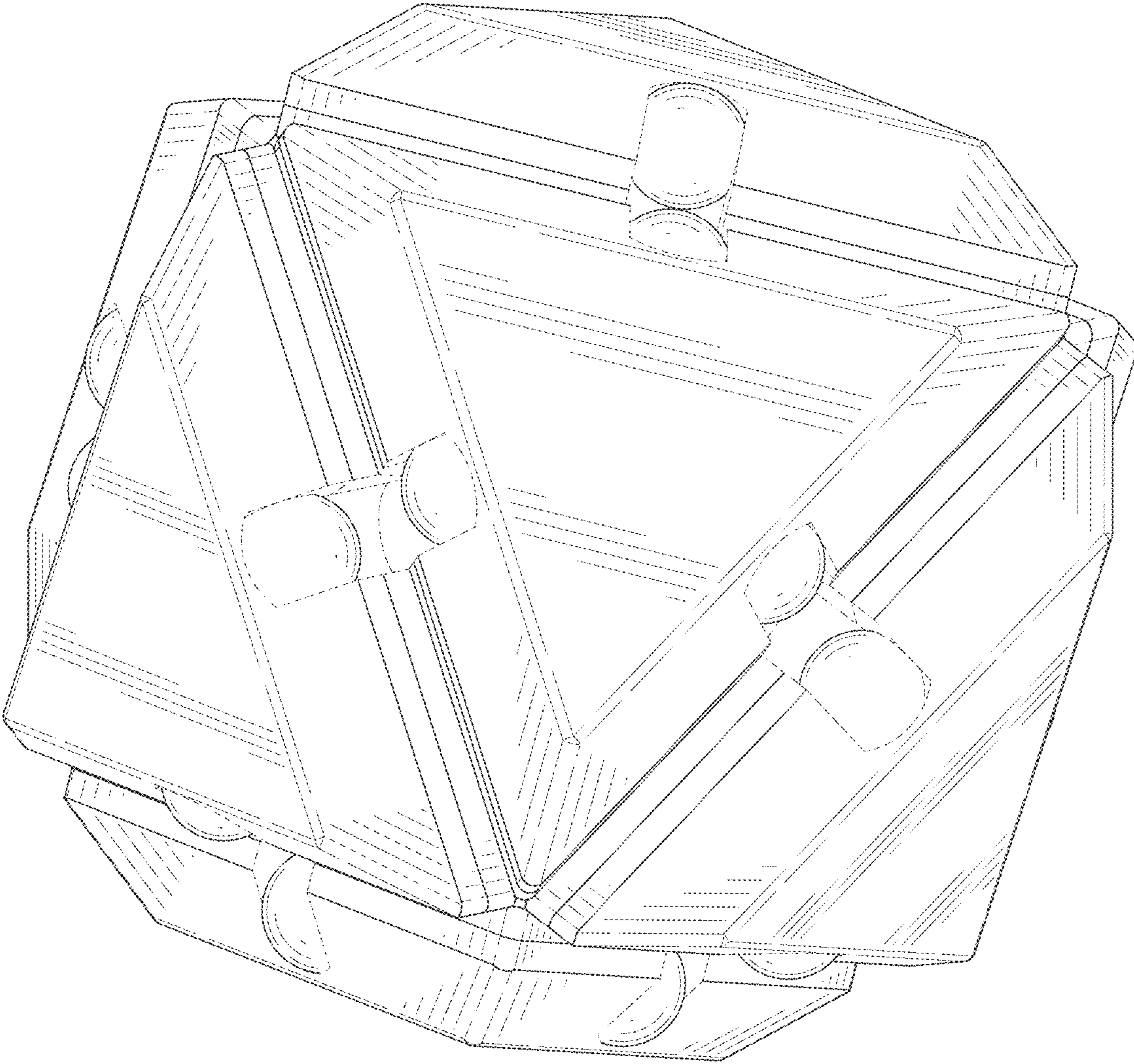


FIG. 2

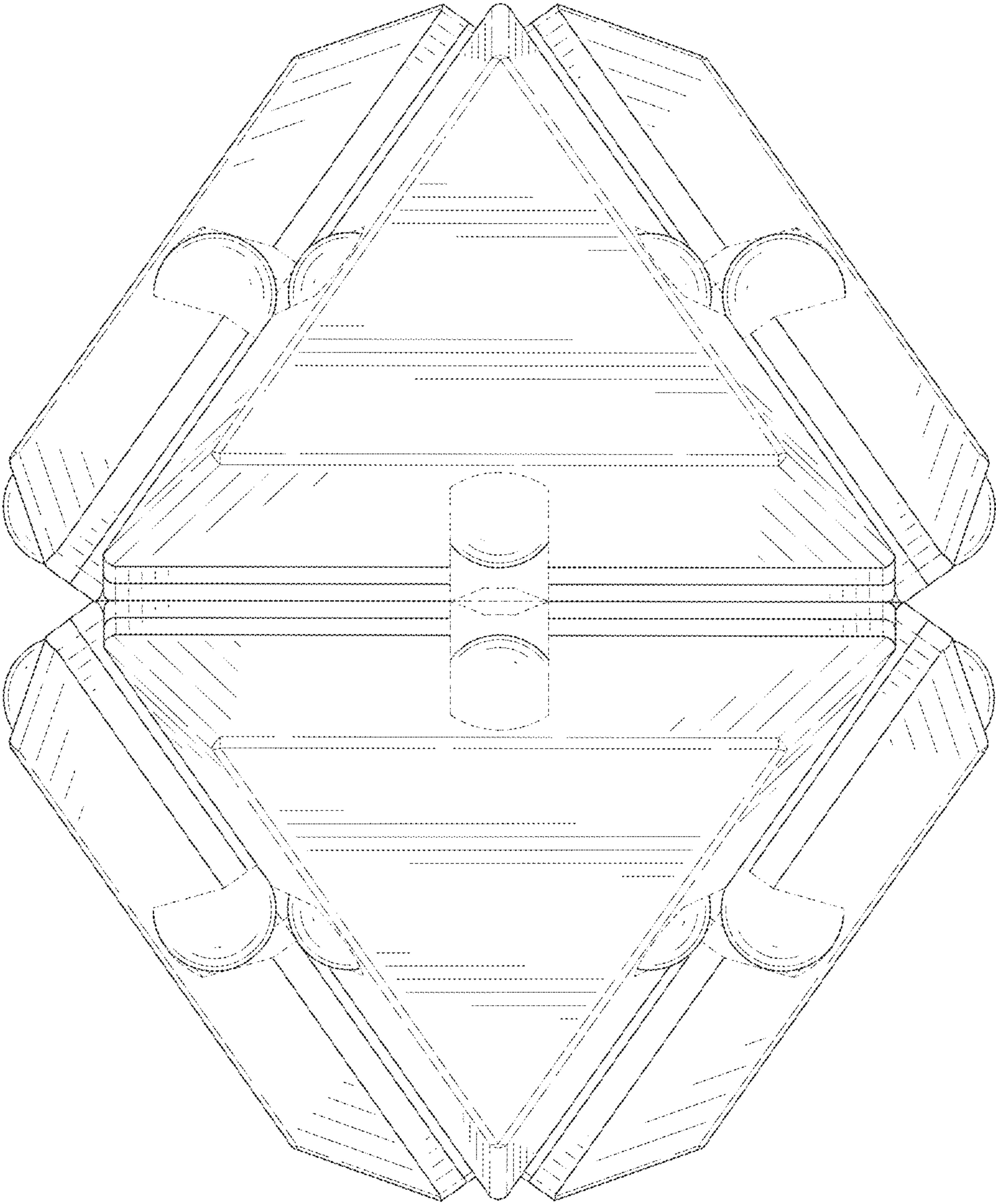


FIG. 3

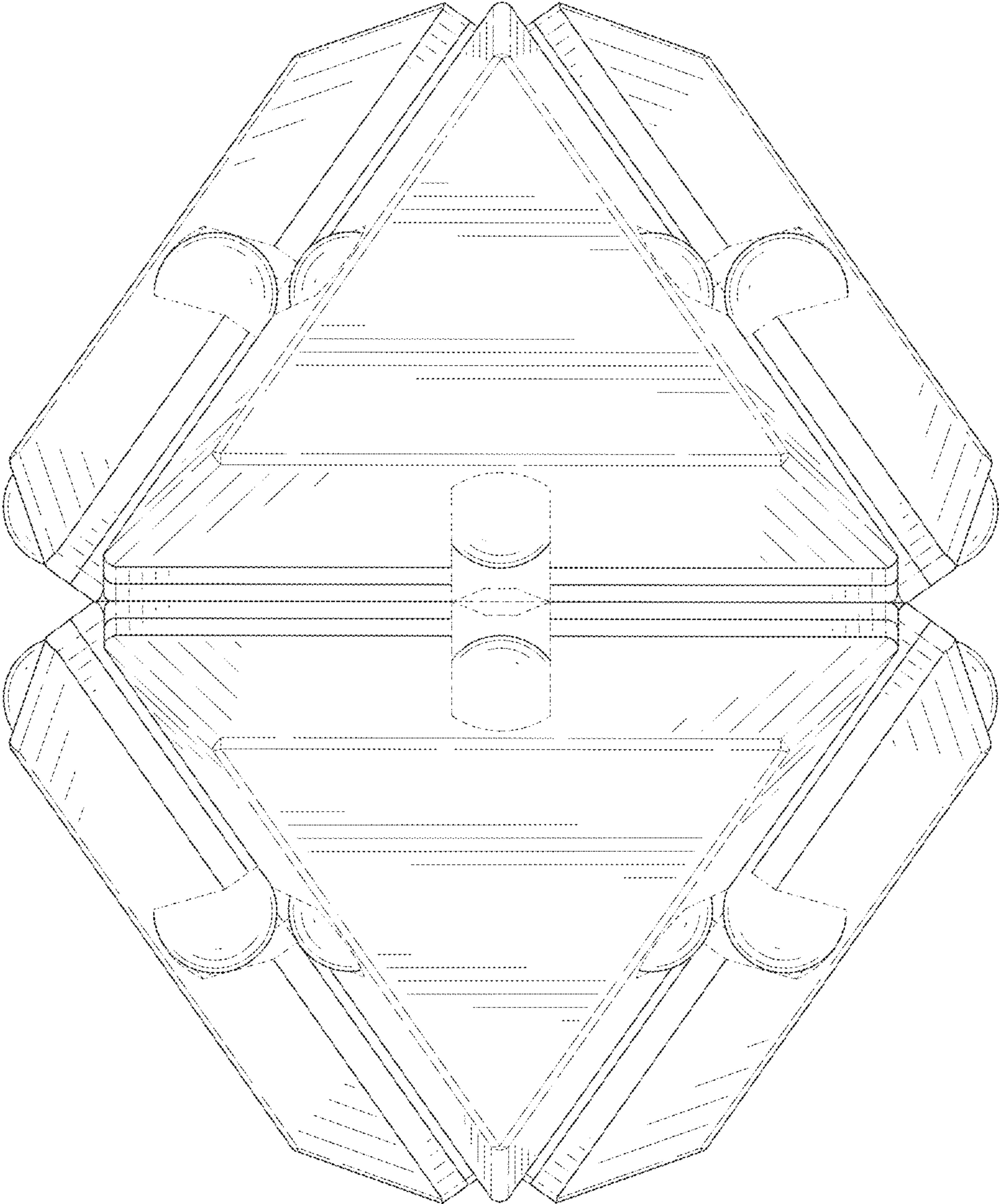


FIG. 4

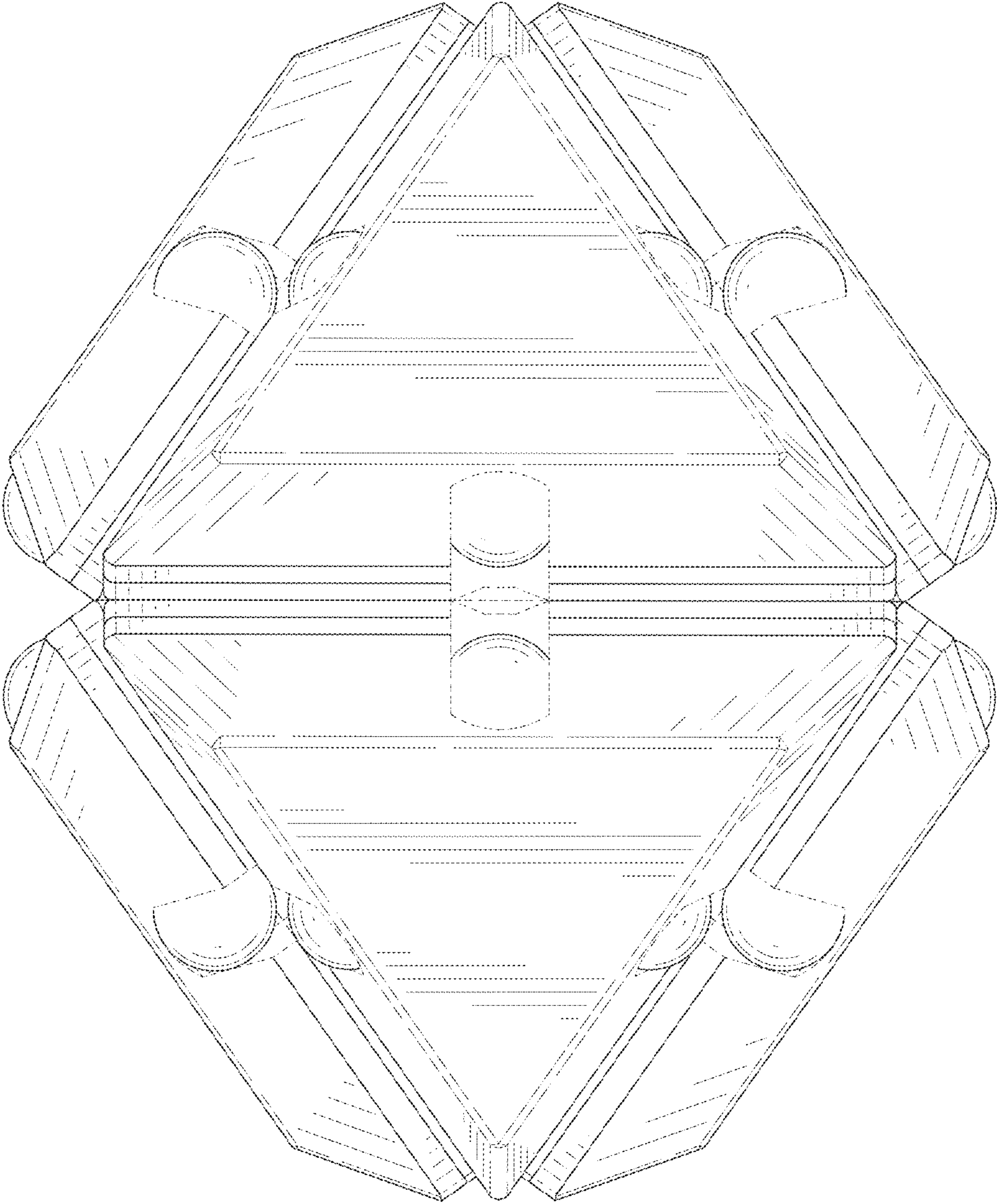


FIG. 5

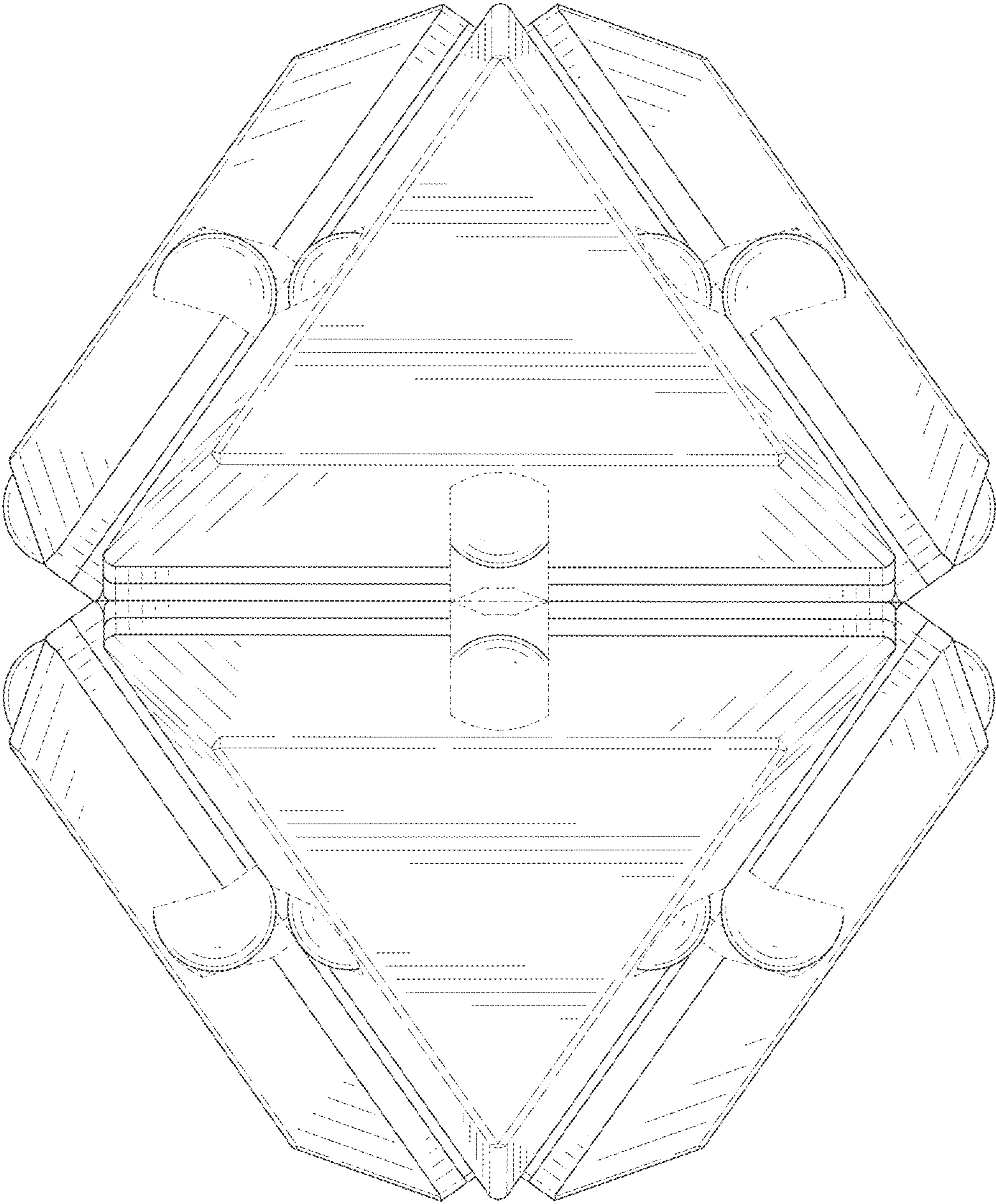


FIG. 6

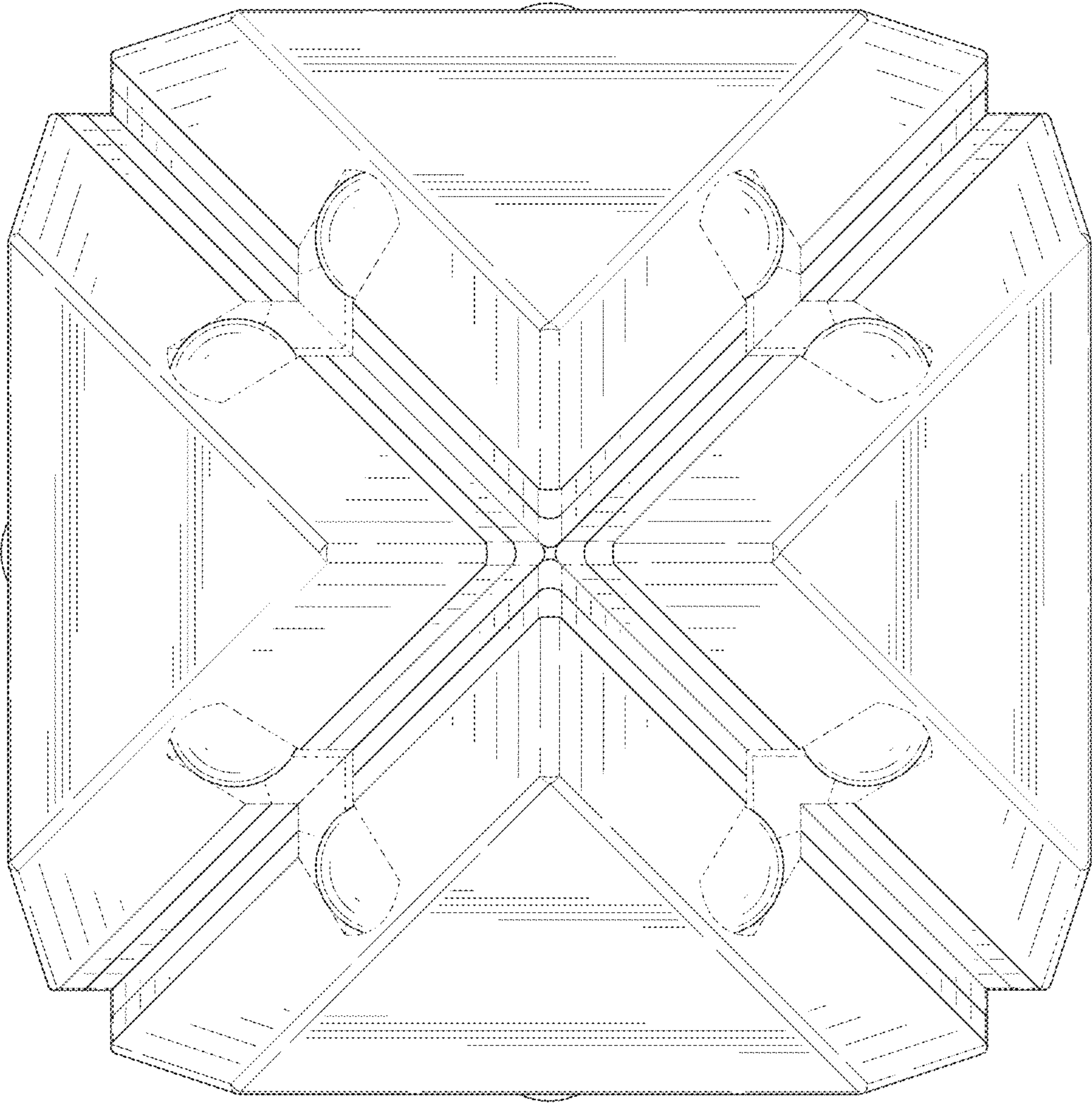


FIG. 7

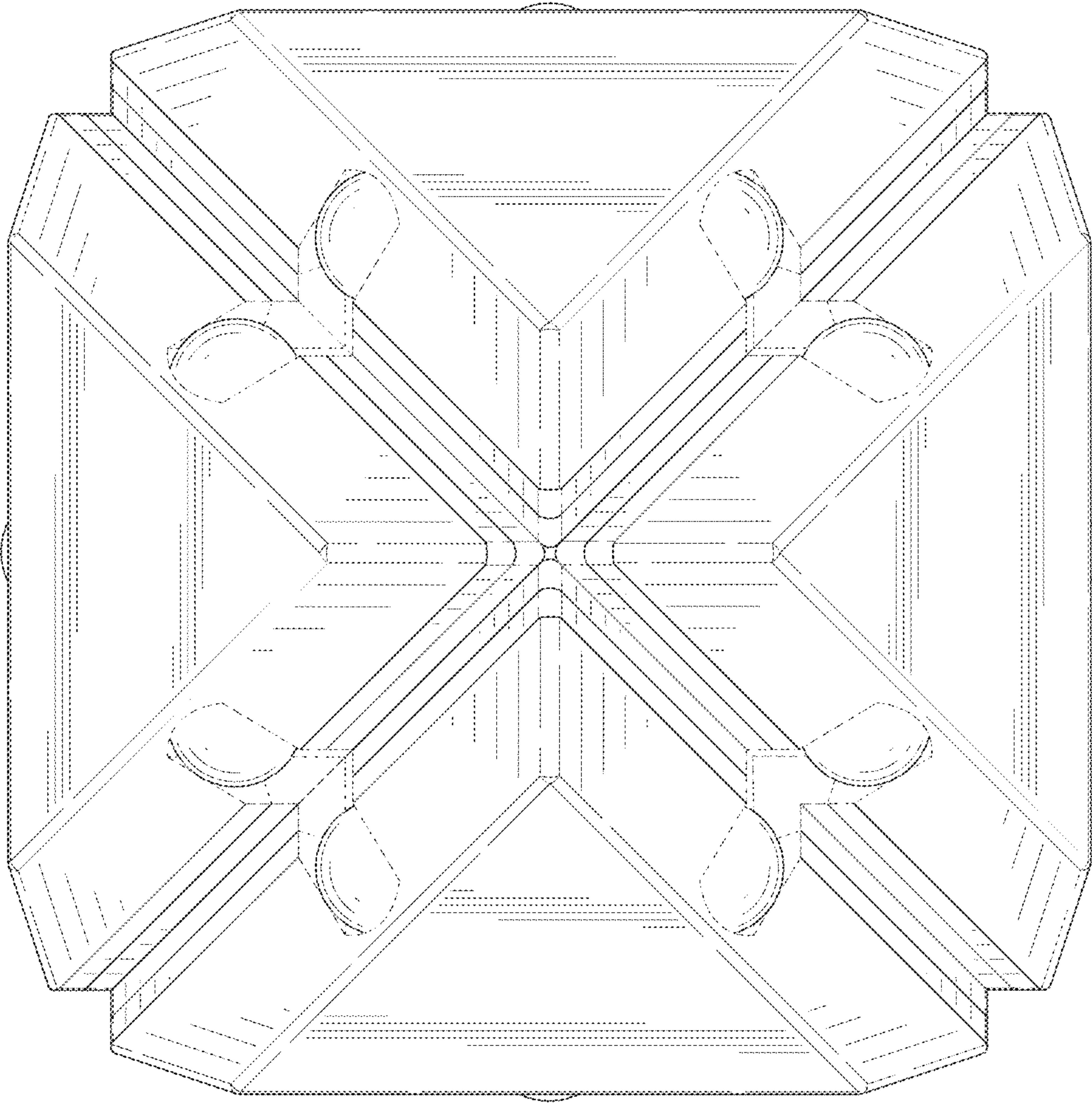


FIG. 8