



US00D981497S

(12) **United States Design Patent**
Zhang

(10) **Patent No.:** **US D981,497 S**
(45) **Date of Patent:** **** Mar. 21, 2023**

(54) **INFLATABLE TOY**

FOREIGN PATENT DOCUMENTS

(71) Applicant: **GUANGZHOU XINYI BUSINESS TECHNOLOGY CO., LTD.**,
Guangzhou (CN)

CN 204319754 U * 5/2015
CN 204395435 U * 6/2015
(Continued)

(72) Inventor: **Hongzhu Zhang**, Ganzhou (CN)

OTHER PUBLICATIONS

(**) Term: **15 Years**

“A Giant T-Rex Dinosaur Yard Sprinkler + More Toys to Amp Up the Fun This Summer 2018,” Jun. 15, 2018, youtube.com, site visited Apr. 14, 2022, URL: <https://www.youtube.com/watch?v=h3O3BZlv4-Y> (Year: 2018).*

(21) Appl. No.: **29/843,376**

(22) Filed: **Jun. 21, 2022**

(51) **LOC (14) Cl.** **21-01**

(52) **U.S. Cl.**

USPC **D21/439**; D21/576; D21/615

(58) **Field of Classification Search**

USPC D21/419, 473, 519, 521, 572, 576, 597,
D21/598, 599, 615, 616, 655, 714, 803,
D21/808; D11/121

CPC . A63H 23/10; A63H 3/06; A63H 3/04; A63H
33/28; A63H 23/00; A63H 3/00; A63H
3/26; A63H 27/10

See application file for complete search history.

(Continued)

Primary Examiner — Christy Nemeth

Assistant Examiner — Sarah L Smith

(74) *Attorney, Agent, or Firm* — Daniel M. Cohn;
Howard M. Cohn

(56) **References Cited**

U.S. PATENT DOCUMENTS

3,228,136 A * 1/1966 Rouse A63H 33/28
446/16
5,961,363 A * 10/1999 Spector A63H 3/06
446/385
6,039,327 A * 3/2000 Spector A63G 19/18
280/1.13
D537,128 S 2/2007 Barton et al.
D704,283 S * 5/2014 Carlson A63H 3/14
D21/615
D747,777 S * 1/2016 Greenly D21/615
D762,271 S * 7/2016 Chow D21/615
D787,617 S 5/2017 Krepack
D798,967 S * 10/2017 Tompkin A63H 3/46
D21/615
D836,170 S * 12/2018 Tompkin B44C 5/06
D21/615
D883,403 S * 5/2020 Chen A63H 33/00
D21/615

(Continued)

(57) **CLAIM**

The ornamental design for an inflatable toy, as shown and described.

DESCRIPTION

FIG. 1 is a perspective view of an inflatable toy showing my new design;
FIG. 2 is another perspective view thereof;
FIG. 3 is a front elevational view thereof;
FIG. 4 is a rear elevational view thereof;
FIG. 5 is a left side elevational view thereof;
FIG. 6 is a right side elevational view thereof;
FIG. 7 is a top plan view thereof; and,
FIG. 8 is a bottom plan view thereof.
The broken lines in the drawings depict portions of the inflatable toy that form no part of the claimed design.

1 Claim, 8 Drawing Sheets



(56)

References Cited

U.S. PATENT DOCUMENTS

D947,293 S * 3/2022 Luo A63G 19/18
 D21/615
 D952,992 S * 5/2022 Li A63H 3/06
 D2/741
 D963,519 S * 9/2022 Deng A63H 33/28
 D21/615
 2001/0034178 A1* 10/2001 Spector A63H 33/00
 446/385
 2007/0031635 A1* 2/2007 Shepardson B44C 5/06
 428/7
 2009/0253348 A1* 10/2009 Takahashi A63H 3/46
 446/383
 2016/0310856 A1* 10/2016 Mitchell A63H 3/14

FOREIGN PATENT DOCUMENTS

CN 207591291 U * 7/2018 A63H 33/28
 CN 305655858 * 3/2020
 CN 306649192 * 6/2021

CN 306916546 * 11/2021
 CN 307160884 * 3/2022
 GB 2224950 A * 5/1990 A63H 33/28

OTHER PUBLICATIONS

Taylor, "Very durable," Jul. 17, 2019 (review), amazon.com, site visited Apr. 14, 2022, URL: <https://www.amazon.com/Dinosaur-Inflatable-Decorations-Birthday-Adults/dp/B07NYX5BNQ> (Year: 2019).*

Aneasa, "So f***** cool!" Nov. 17, 2019 (review), amazon.com, site visited Oct. 25, 2022, URL: <https://www.amazon.com/Joiedomi-Christmas-Inflatable-Decoration-Dinosaur/dp/B07YJ874BG> (Year: 2019).*

J. Warren, "Nice but needs more tie downs," Nov. 22, 2021 (review), amazon.com, site visited Oct. 25, 2022, URL: <https://www.amazon.com/dp/B09K7QLKVP/?th=1> (Year: 2021).*

Woochsmom, "Dissatisfaction," Dec. 19, 2021 (review), amazon.com, site visited Oct. 25, 2022, URL: <https://www.amazon.com/Holidayana-Inflatable-Decoration-Inflables-Decorations/dp/B07YSYZ1MB> (Year: 2021).*

* cited by examiner



FIG. 1



FIG. 2

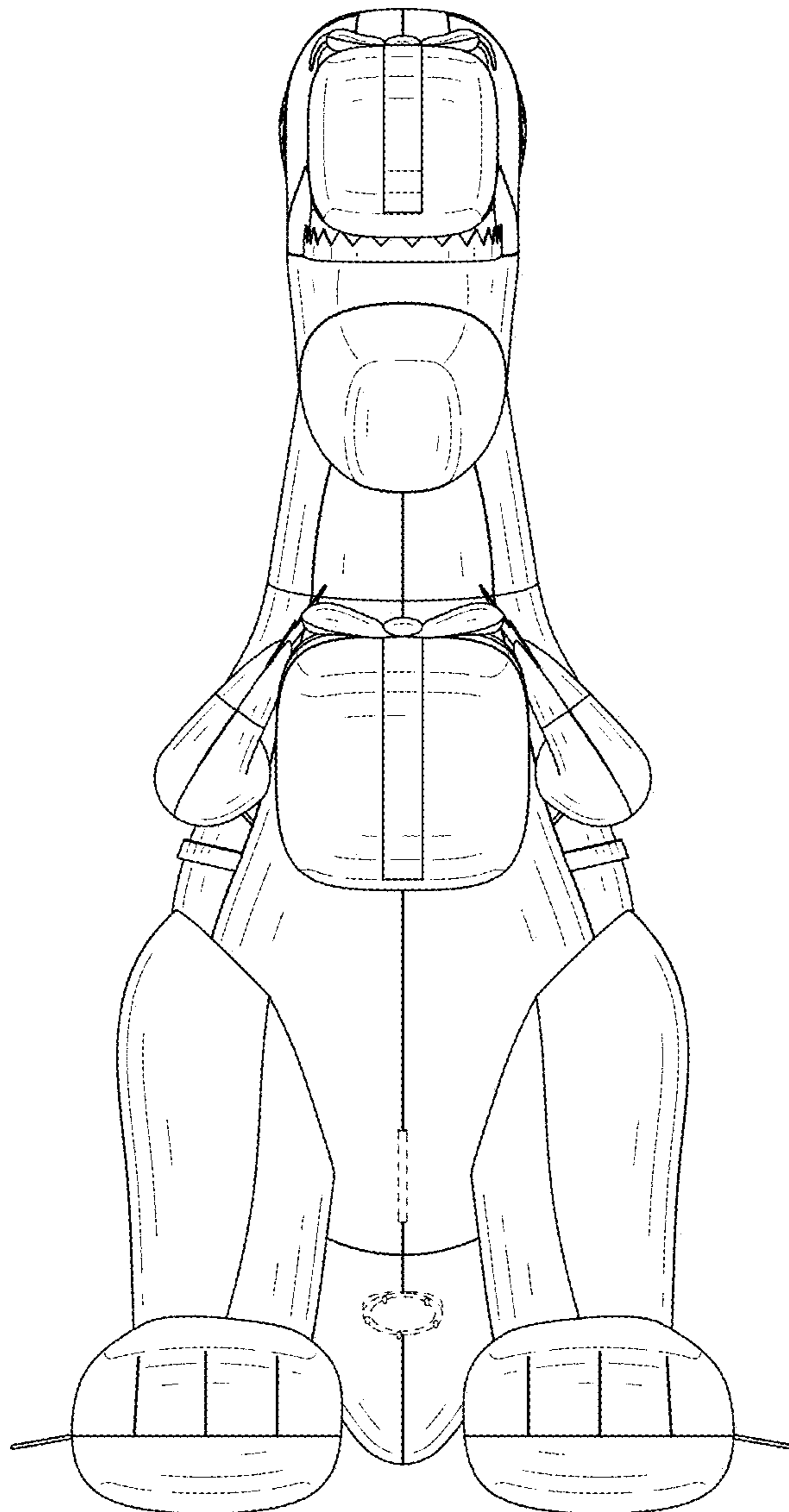


FIG. 3

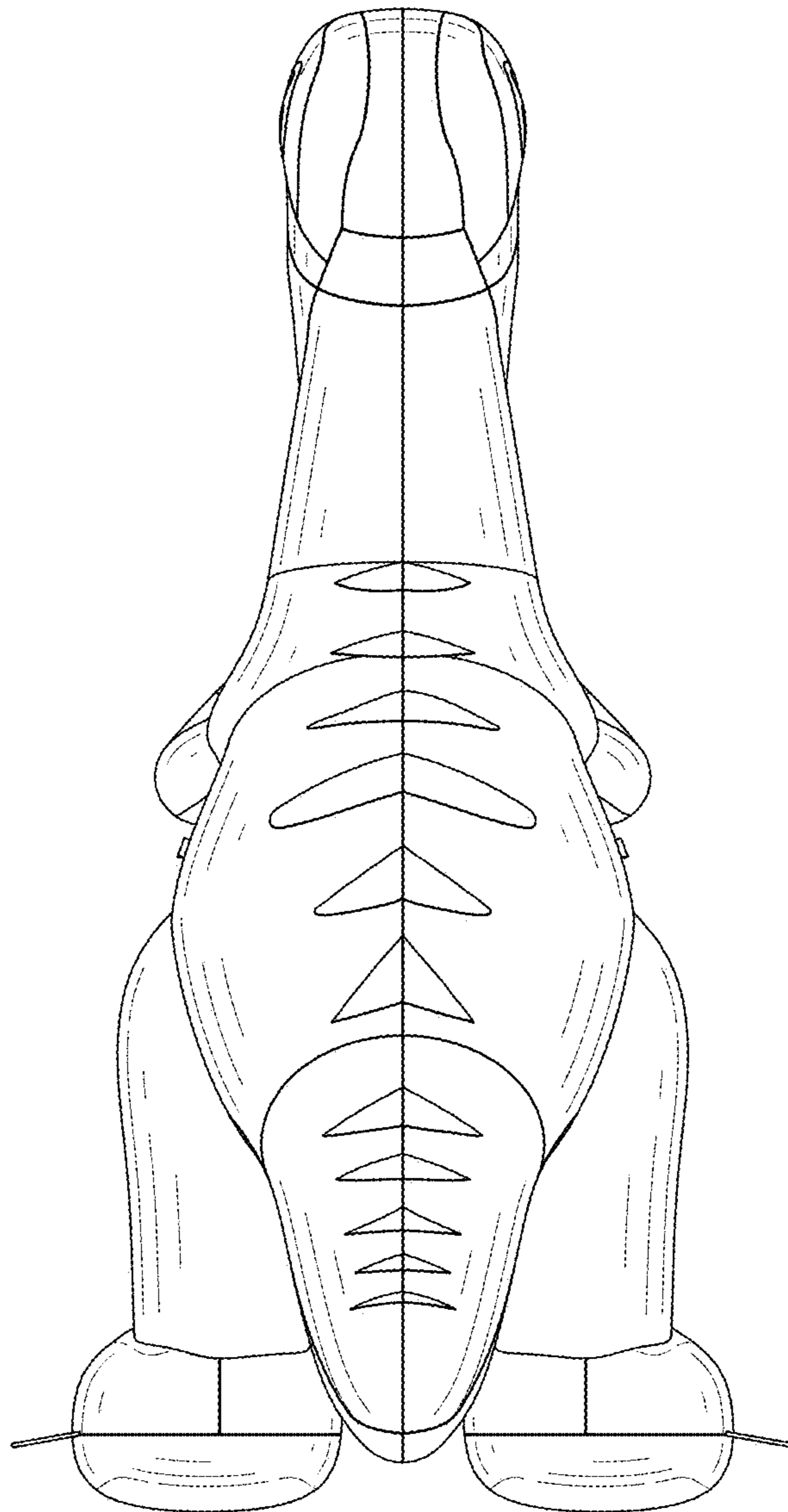


FIG. 4

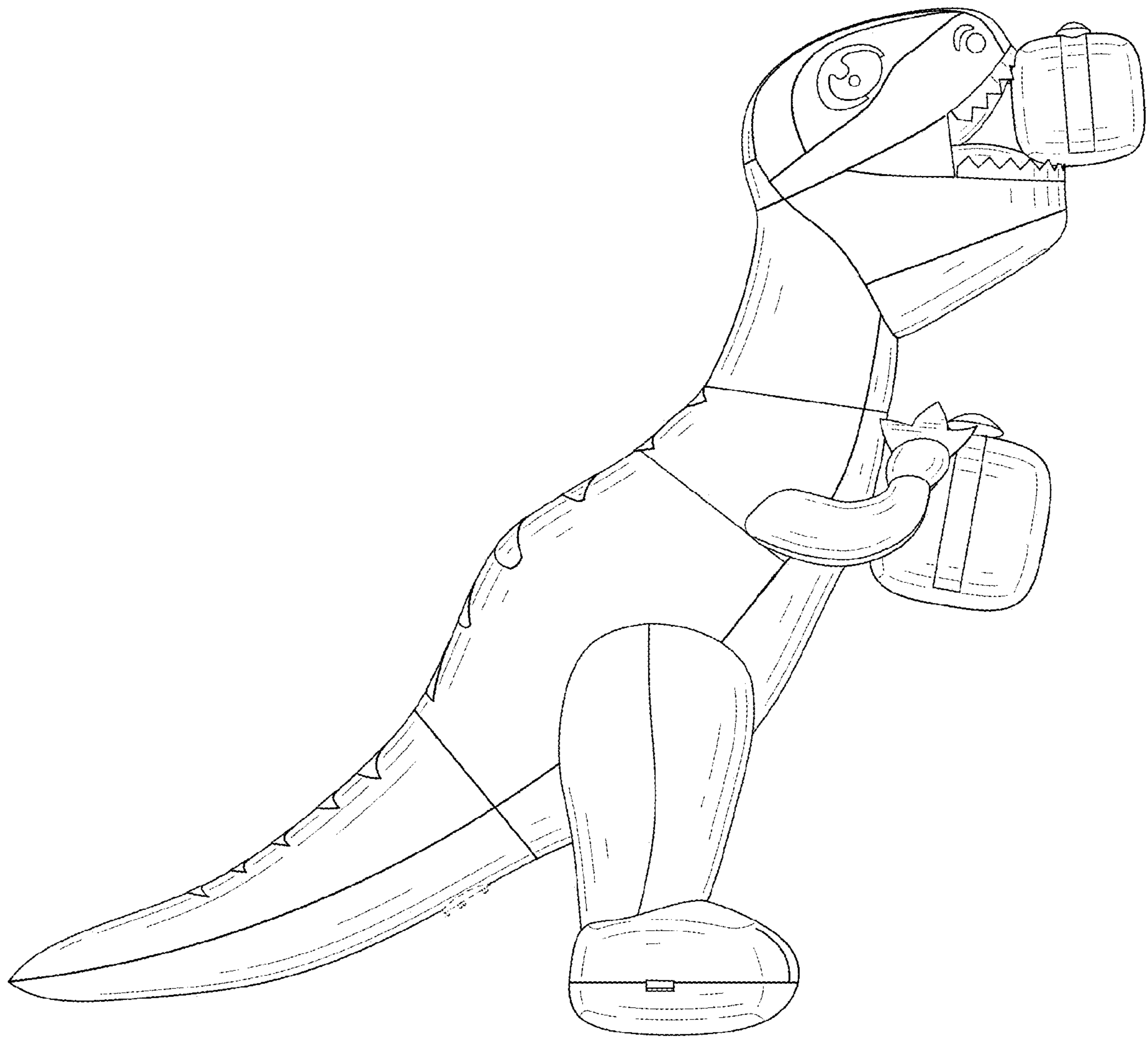


FIG. 5

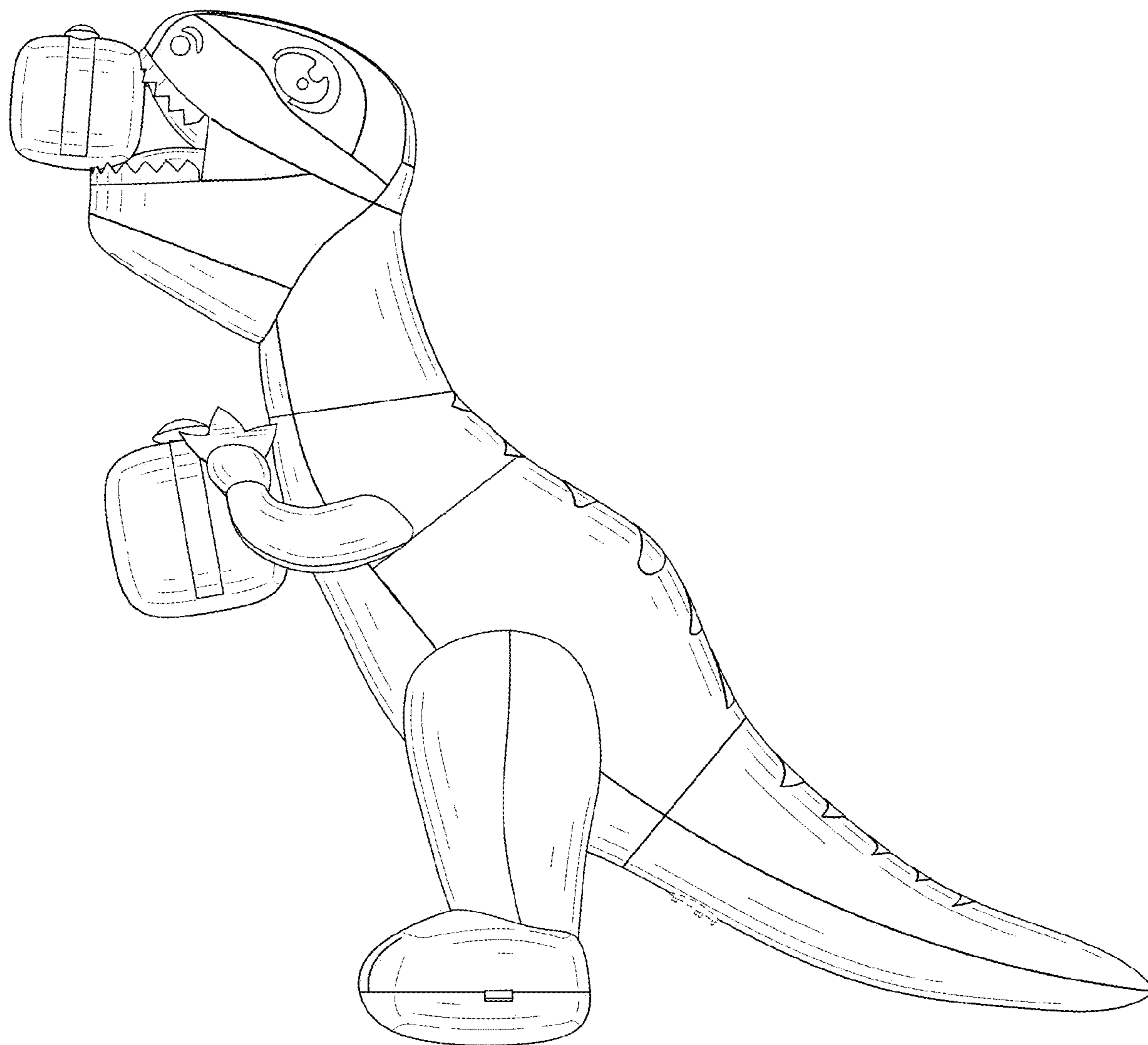


FIG. 6

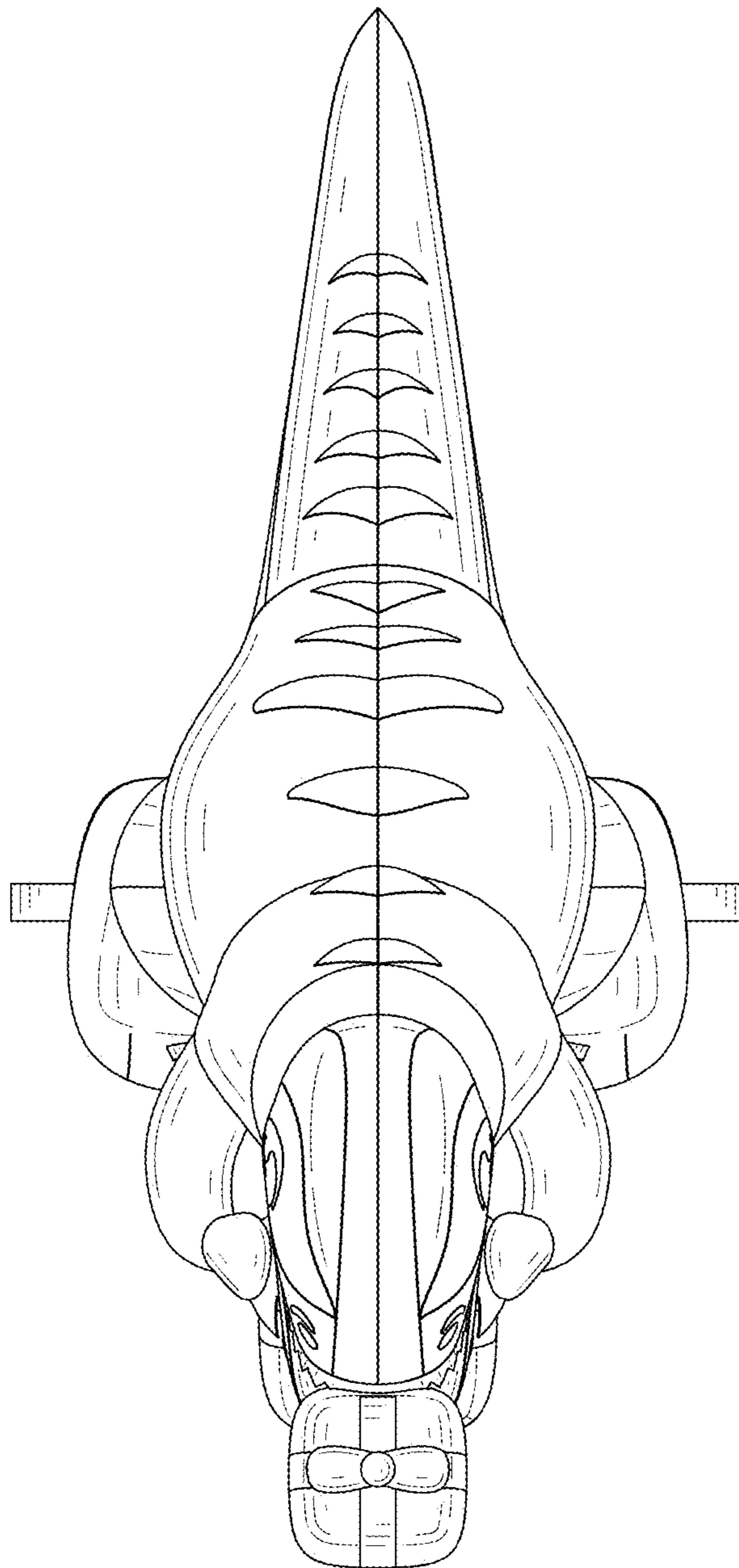


FIG. 7

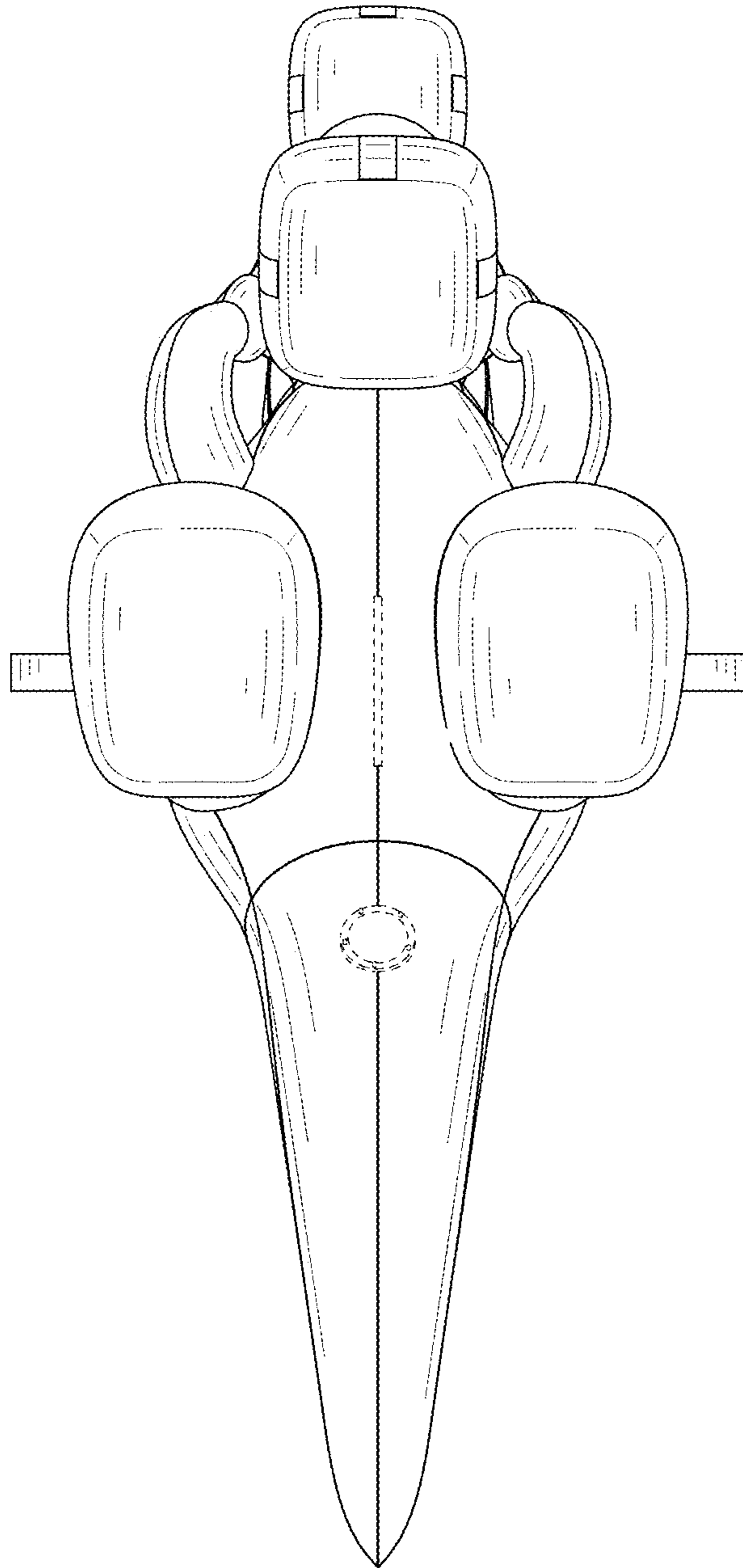


FIG. 8