



US00D981496S

(12) **United States Design Patent** (10) **Patent No.:** **US D981,496 S**
Zhu (45) **Date of Patent:** **** Mar. 21, 2023**

(54) **MAGNETIC TILES SET**

(71) Applicant: **Wuyi Lizewei Industry and Trade Co., Ltd., Jinhua (CN)**

(72) Inventor: **Cong Zhu, Yongkang (CN)**

(**) Term: **15 Years**

(21) Appl. No.: **29/846,680**

(22) Filed: **Jul. 19, 2022**

(51) **LOC (14) Cl.** **21-01**

(52) **U.S. Cl.**
 USPC **D21/404**

(58) **Field of Classification Search**
 USPC D21/404, 484, 489, 490, 491, 494, 500, 504, 505, 385, 386; D6/303, D6/312, 314; D13/183; D25/103, 104, D25/106, 109, 110, 111
 CPC A63F 9/34; A63F 2003/00391; A63F 2009/1033; A63F 2009/1212; A63H 33/044; A63H 33/046; A63H 33/26; A63H 33/10; A63H 33/06; A63H 33/12; A63H 33/04; G09B 1/38
 See application file for complete search history.

D784,938 S * 4/2017 Wang D21/491
 D789,312 S * 6/2017 Wang D21/491
 D799,604 S 10/2017 Wang
 D813,955 S 3/2018 Henkin
 D823,946 S 7/2018 Henkin
 D827,720 S * 9/2018 Whang D21/404
 D827,721 S 9/2018 Whang
 D829,825 S 10/2018 Henkin
 D830,475 S * 10/2018 Wang D21/491
 D831,129 S * 10/2018 Wang D21/491
 D849,850 S * 5/2019 Holowka D21/484
 D867,263 S * 11/2019 Ornstein D21/505
 D893,635 S 8/2020 Henkin
 D894,284 S * 8/2020 Kogure D21/364
 D894,289 S 8/2020 Henkin
 D922,495 S 6/2021 Lv
 D922,501 S 6/2021 Lv
 D928,239 S * 8/2021 Wang D21/489
 D929,505 S * 8/2021 Wang D21/490
 D959,563 S * 8/2022 Lyu D21/404
 2002/0119725 A1 * 8/2002 Pupulin A63H 33/04
 446/85
 2016/0184727 A1 * 6/2016 Ornstein A63H 33/046
 446/92
 2017/0182429 A1 * 6/2017 Choi A63H 33/046
 2020/0246715 A1 * 8/2020 Bensussan A63H 33/10
 2021/0291069 A1 * 9/2021 Zhou A63H 33/26

OTHER PUBLICATIONS

Desire Deluxe Magnetic Building Blocks Tiles STEM Toy Set 57PC. Date First Available: Feb. 28, 2018. Retrieved from internet: <<https://www.amazon.co.uk/Desire-Deluxe-Magnetic-Blocks-Building/dp/B07MGYKZ36?th=1>> [site visited Oct. 17, 2022] (Year: 2018).*

Magnetic Tiles 102PCS Building Blocks for Kids. Date First Available: Jan. 9, 2021. Retrieved from internet: <<https://www.amazon.co.uk/Compatible-Magnetic-Building-Montessori-Activities/dp/B087FBDL6P/>> [site visited Oct. 17, 2022] (Year: 2021).*

MegagonTiles 110PCS Premium Magnetic Tiles. Date First Available: Aug. 5, 2021. Retrieved from internet: <<https://www.amazon.com.au/dp/B08XZMST3F>> [site visited Apr. 20, 2022] (Year: 2021).*

Steam Studio 110pcs Premium Magnetic Tiles. Date First Available: Jun. 16, 2021. Retrieved from internet: <<https://www.amazon.com.au/dp/B091BY74M8>> [site visited Apr. 20, 2022] (Year: 2021).*

* cited by examiner

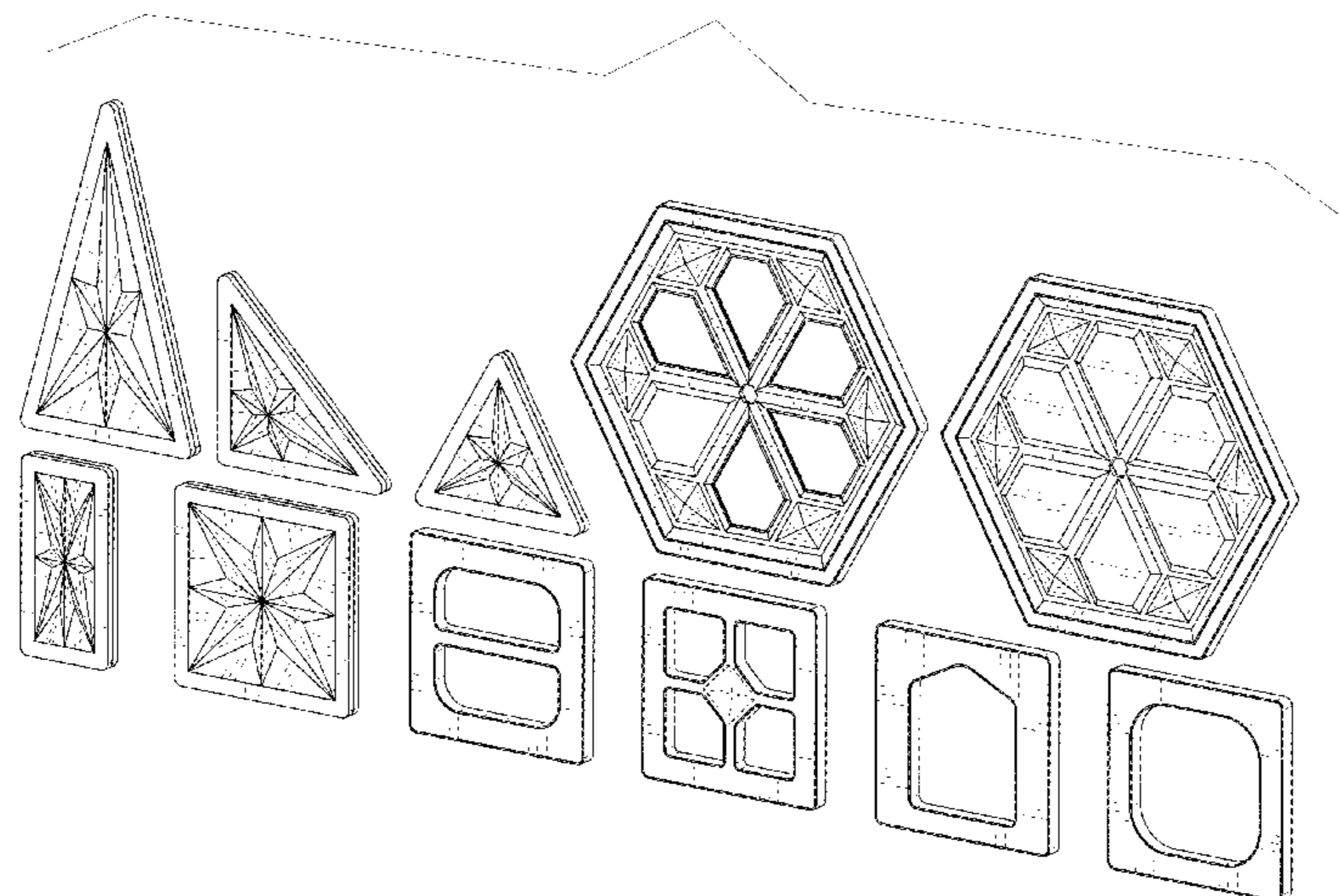
Primary Examiner — Katherine Glennon

Assistant Examiner — Yuan Yuan

(56) **References Cited**

U.S. PATENT DOCUMENTS

3,998,004 A * 12/1976 Ehrlich A63H 33/046
 446/92
 D270,921 S * 10/1983 Morgan D21/364
 5,183,430 A * 2/1993 Swann A63H 33/04
 446/104
 D344,188 S * 2/1994 Dominguez D6/303
 D375,007 S * 10/1996 Erickson D6/407
 5,620,325 A * 4/1997 Glick G09B 19/0023
 446/85
 D422,035 S * 3/2000 Cyrus D21/501
 D423,794 S * 5/2000 Brownfield D6/300
 D632,346 S * 2/2011 Hardstaff D21/501
 D713,891 S * 9/2014 Schwartz D21/342
 D771,752 S 11/2016 Henkin
 D773,562 S * 12/2016 Kiribuchi D21/489
 D773,564 S * 12/2016 Kiribuchi D21/489



(74) *Attorney, Agent, or Firm* — Rumit Ranjit Kanakia

(57)

CLAIM

The ornamental design for a magnetic tiles set, as shown and described.

DESCRIPTION

FIG. 1 is a perspective view of a magnetic tiles set, showing the assembly of pieces of the first embodiment for my new design;

FIG. 2 is a perspective view of the first piece thereof;

FIG. 3 is a front elevational view thereof, the rear elevational view is identical;

FIG. 4 is a left side view thereof, the right side view is identical;

FIG. 5 is a top plan view thereof;

FIG. 6 is a bottom plan view thereof;

FIG. 7 is a perspective view of the second piece thereof;

FIG. 8 is a front elevational view thereof, the rear elevational view being a mirror image of FIG. 8;

FIG. 9 is a left side view thereof;

FIG. 10 is a right side view thereof;

FIG. 11 is a top plan view thereof;

FIG. 12 is a bottom plan view thereof;

FIG. 13 is a perspective view of the third piece thereof;

FIG. 14 is a front elevational view thereof, the rear elevational view is identical;

FIG. 15 is a left side view thereof, the right side view is identical;

FIG. 16 is a top plan view thereof;

FIG. 17 is a bottom plan view thereof;

FIG. 18 is a perspective view of the fourth piece thereof;

FIG. 19 is a front elevational view thereof, the rear elevational view being a mirror image of FIG. 19;

FIG. 20 is a left side view thereof, the right side view is identical;

FIG. 21 is a top plan view thereof, the bottom plan view is identical;

FIG. 22 is a perspective view of the fifth piece thereof;

FIG. 23 is a front elevational view thereof, the rear elevational view is identical;

FIG. 24 is a left side view thereof, the right side view is identical;

FIG. 25 is a top plan view thereof, the bottom plan view is identical;

FIG. 26 is a perspective view of the sixth piece thereof;

FIG. 27 is a front elevational view thereof, the rear elevational view is identical;

FIG. 28 is a left side view thereof, the right side view is identical;

FIG. 29 is a top plan view thereof, the bottom plan view is identical;

FIG. 30 is a perspective view of the seventh piece thereof;

FIG. 31 is a front elevational view thereof, the rear elevational view is identical;

FIG. 32 is a left side view thereof, the right side view is identical;

FIG. 33 is a top plan view thereof, the bottom plan view is identical;

FIG. 34 is a perspective view of the eighth piece thereof;

FIG. 35 is a front elevational view thereof, the rear elevational view is identical;

FIG. 36 is a left side view thereof, the right side view is identical;

FIG. 37 is a top plan view thereof, the bottom plan view is identical;

FIG. 38 is a perspective view of the ninth piece thereof;

FIG. 39 is a front elevational view thereof, the rear elevational view is identical;

FIG. 40 is a left side view thereof, the right side view is identical;

FIG. 41 is a top plan view thereof, the bottom plan view is identical;

FIG. 42 is a perspective view of the tenth piece thereof;

FIG. 43 is a front elevational view thereof, the rear elevational view is identical;

FIG. 44 is a left side view thereof, the right side view is identical;

FIG. 45 is a top plan view thereof, the bottom plan view is identical;

FIG. 46 is a perspective view of the eleventh piece thereof;

FIG. 47 is a front elevational view thereof, the rear elevational view is identical;

FIG. 48 is a left side view thereof, the right side view is identical;

FIG. 49 is a top plan view thereof, the bottom plan view is identical;

FIG. 50 is a perspective view of a magnetic tiles set, showing the assembly of pieces of the second embodiment for my new design;

FIG. 51 is a perspective view of the first piece thereof;

FIG. 52 is a front elevational view thereof, the rear elevational view is identical;

FIG. 53 is a left side view thereof, the right side view is identical;

FIG. 54 is a top plan view thereof;

FIG. 55 is a bottom plan view thereof;

FIG. 56 is a perspective view of the second piece thereof;

FIG. 57 is a front elevational view thereof, the rear elevational view being a mirror image of FIG. 57;

FIG. 58 is a left side view thereof;

FIG. 59 is a right side view thereof;

FIG. 60 is a top plan view thereof;

FIG. 61 is a bottom plan view thereof;

FIG. 62 is a perspective view of the third piece thereof;

FIG. 63 is a front elevational view thereof, the rear elevational view is identical;

FIG. 64 is a left side view thereof, the right side view is identical;

FIG. 65 is a top plan view thereof;

FIG. 66 is a bottom plan view thereof;

FIG. 67 is a perspective view of the fourth piece thereof;

FIG. 68 is a front elevational view thereof, the rear elevational view is identical;

FIG. 69 is a left side view thereof, the right side view is identical;

FIG. 70 is a top plan view thereof, the bottom plan view is identical;

FIG. 71 is a perspective view of the fifth piece thereof;

FIG. 72 is a front elevational view thereof, the rear elevational view is identical;

FIG. 73 is a left side view thereof, the right side view is identical;

FIG. 74 is a top plan view thereof, the bottom plan view is identical;

FIG. 75 is a perspective view of the sixth piece thereof;

FIG. 76 is a front elevational view thereof, the rear elevational view is identical;

FIG. 77 is a left side view thereof, the right side view is identical;

FIG. 78 is a top plan view thereof, the bottom plan view is identical;

FIG. 79 is a perspective view of the seventh piece thereof;

FIG. 80 is a front elevational view thereof, the rear elevational view is identical;

FIG. 81 is a left side view thereof, the right side view is identical;

FIG. 82 is a top plan view thereof, the bottom plan view is identical;

FIG. 83 is a perspective view of the eighth piece thereof;

FIG. 84 is a front elevational view thereof, the rear elevational view is identical;

FIG. 85 is a left side view thereof, the right side view is identical;

FIG. 86 is a top plan view thereof, the bottom plan view is identical;

FIG. 87 is a perspective view of the ninth piece thereof;

FIG. 88 is a front elevational view thereof, the rear elevational view is identical;

FIG. 89 is a left side view thereof, the right side view is identical;

FIG. 90 is a top plan view thereof, the bottom plan view is identical;

FIG. 91 is a perspective view of the tenth piece thereof;

FIG. 92 is a front elevational view thereof, the rear elevational view is identical;

FIG. 93 is a left side view thereof, the right side view is identical;

FIG. 94 is a top plan view thereof, the bottom plan view is identical;

FIG. 95 is a perspective view of the eleventh piece thereof;

FIG. 96 is a front elevational view thereof, the rear elevational view is identical;

FIG. 97 is a left side view thereof, the right side view is identical; and,

FIG. 98 is a top plan view thereof, the bottom plan view is identical.

1 Claim, 24 Drawing Sheets

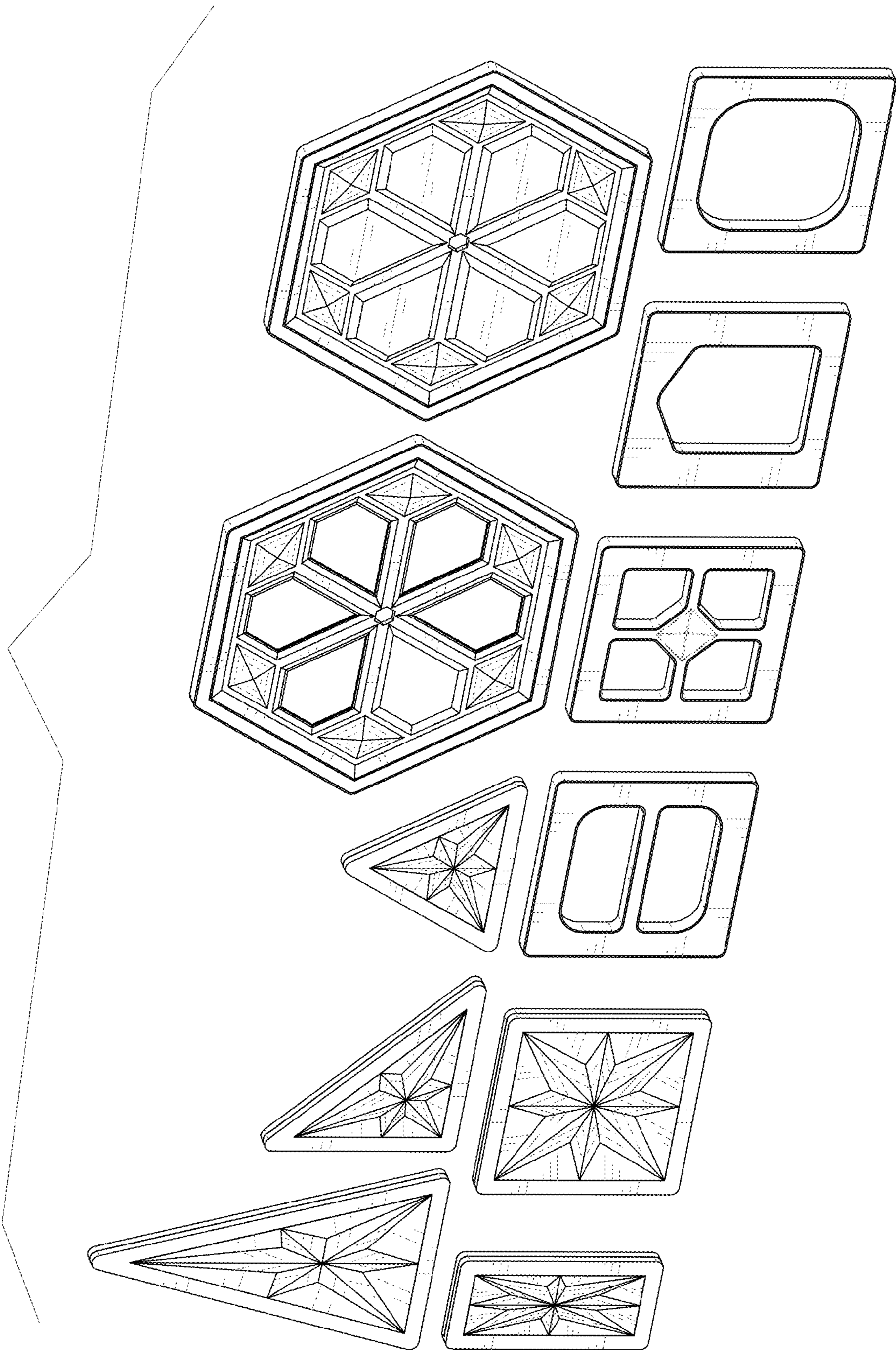


FIG. 1

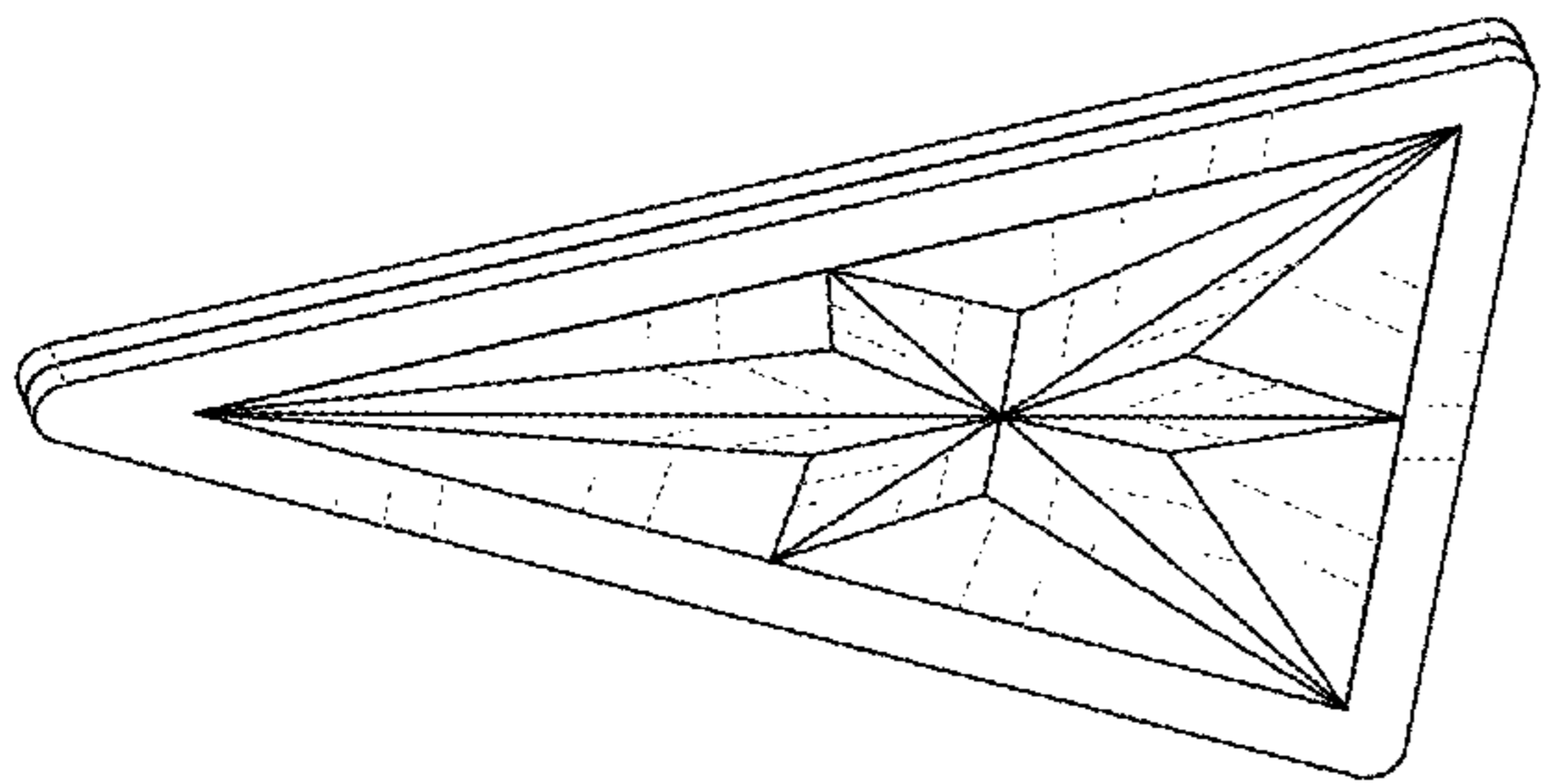


FIG. 2

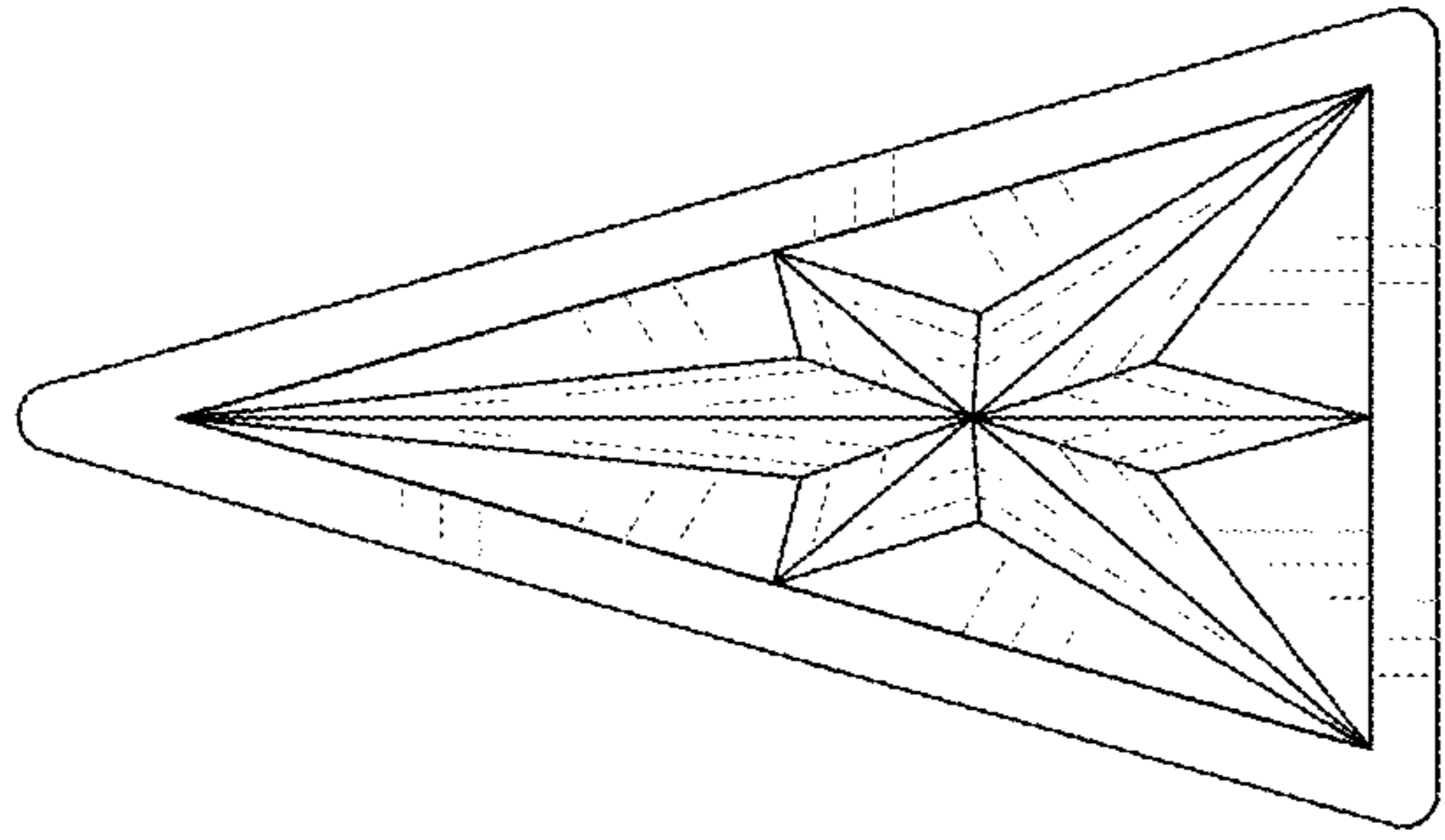


FIG. 3

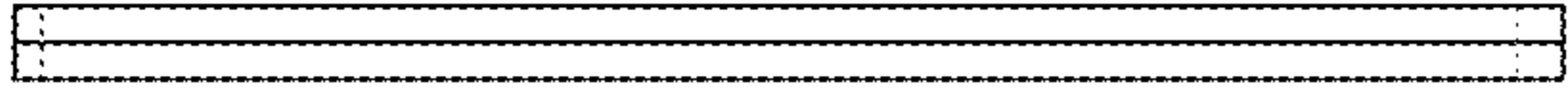


FIG. 4

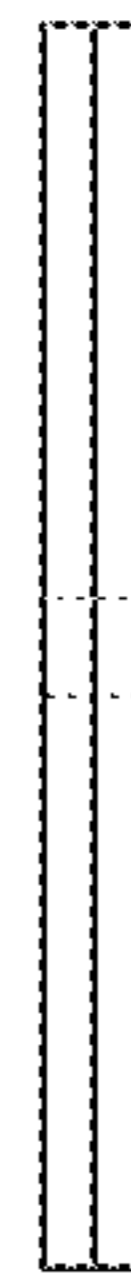


FIG. 5

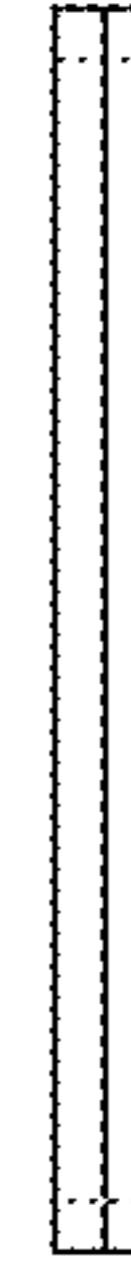


FIG. 6

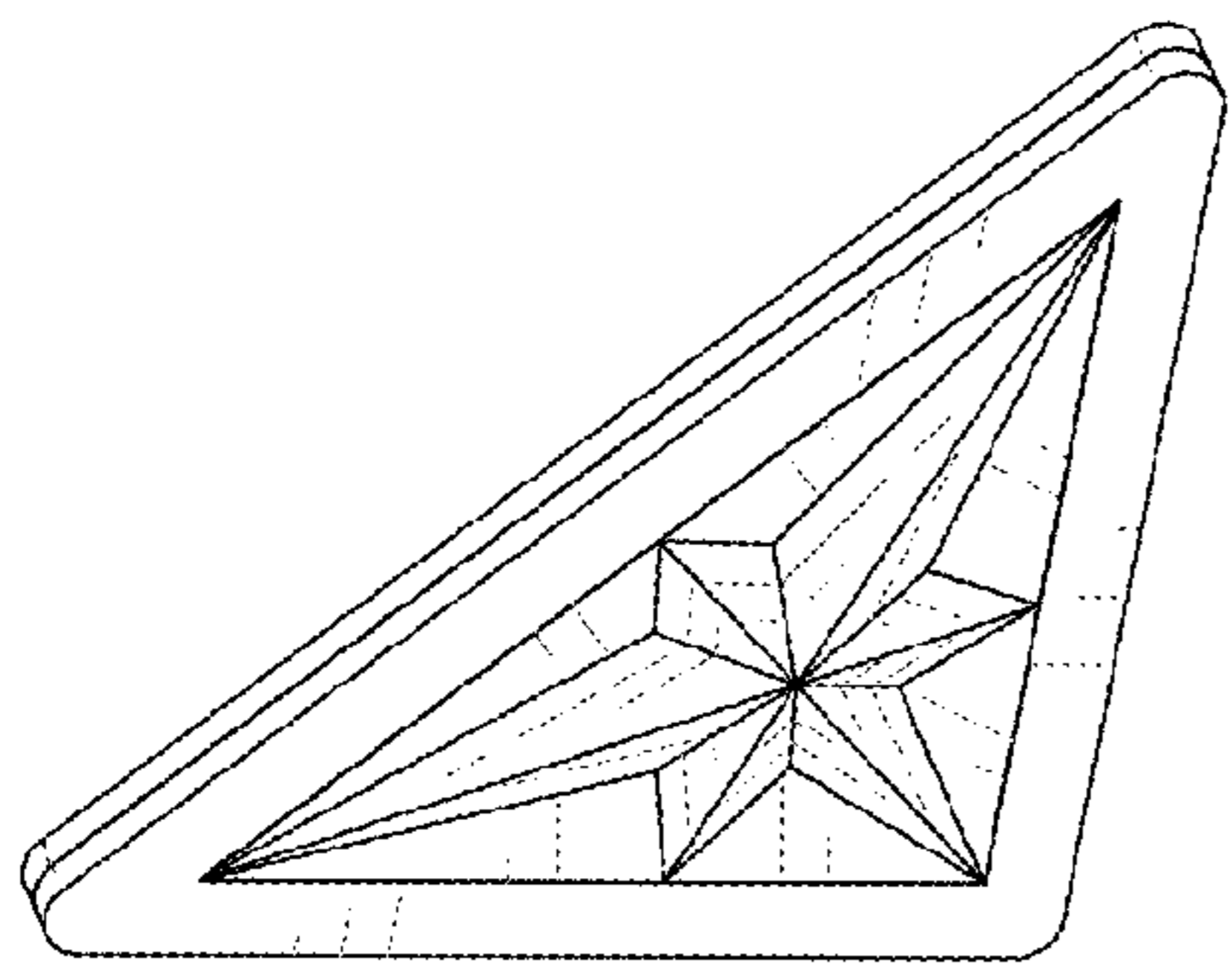


FIG. 7

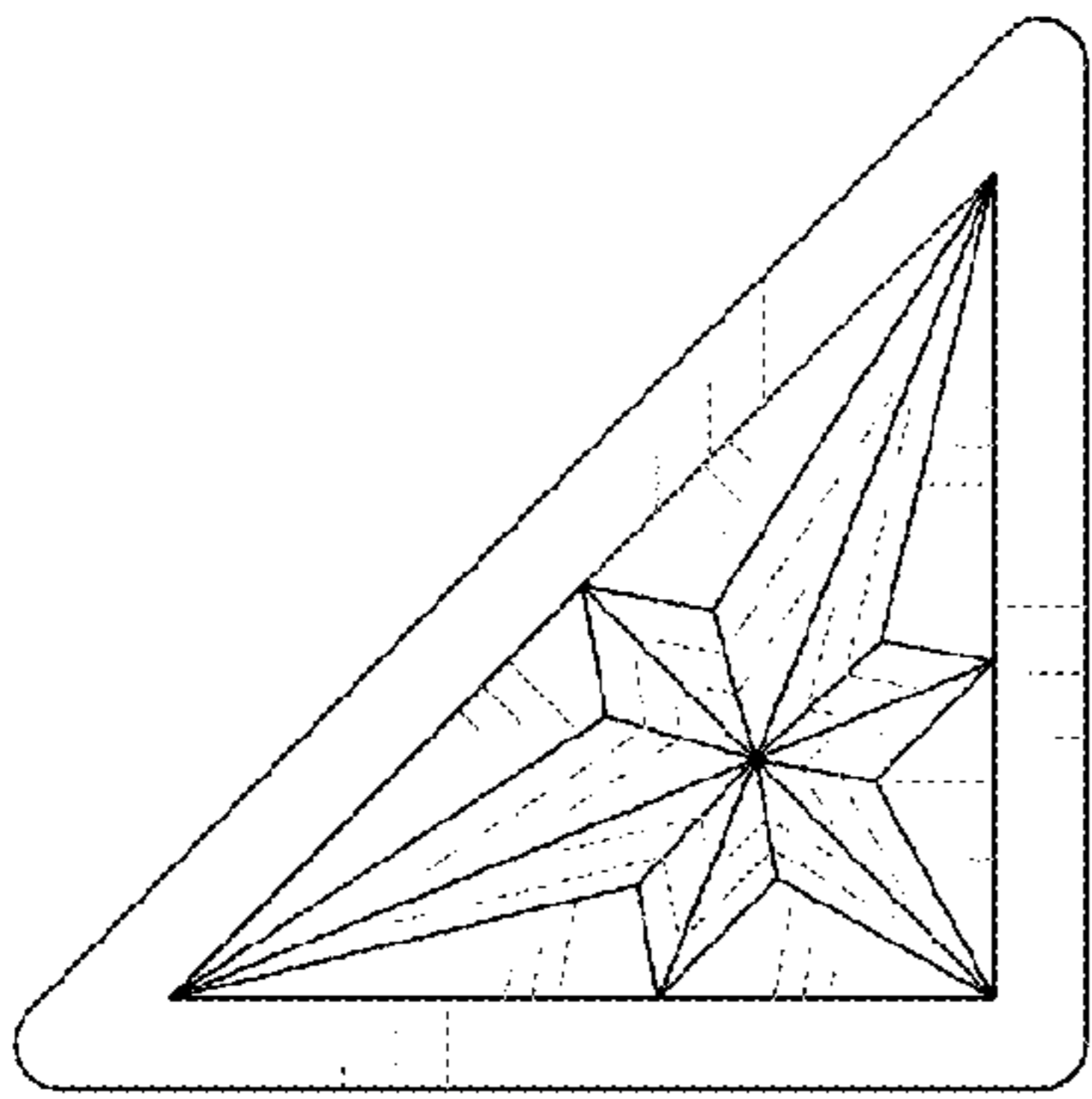


FIG. 8

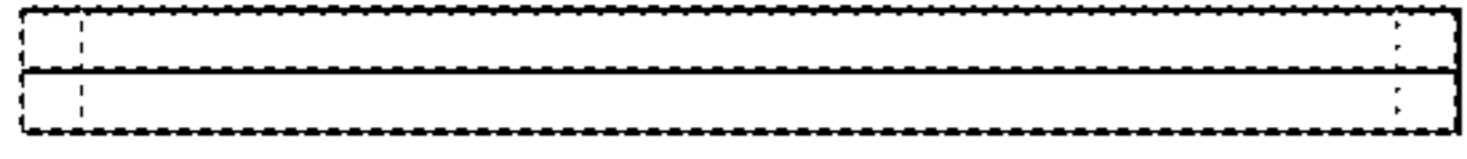


FIG. 9

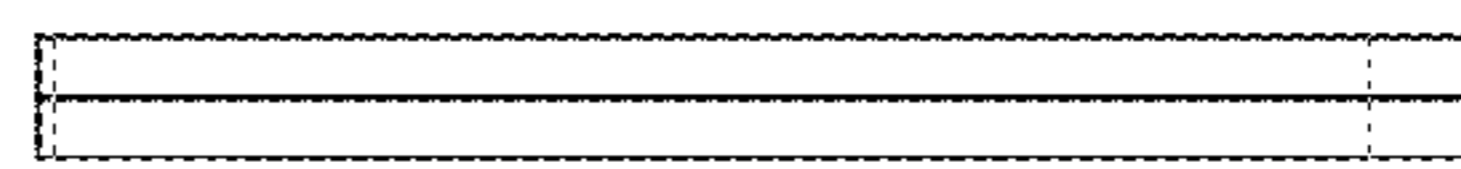


FIG. 10

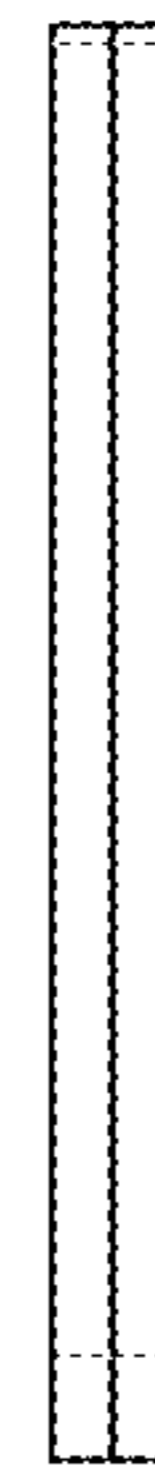


FIG. 11

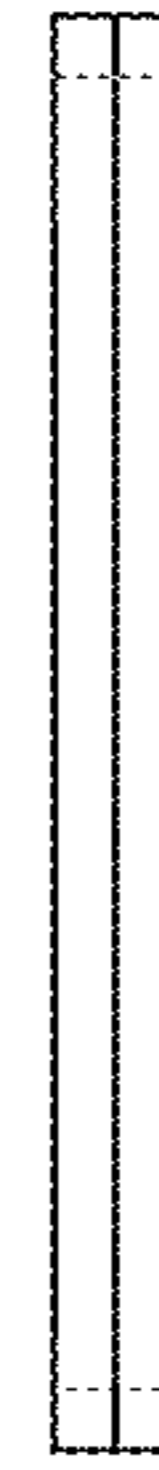


FIG. 12

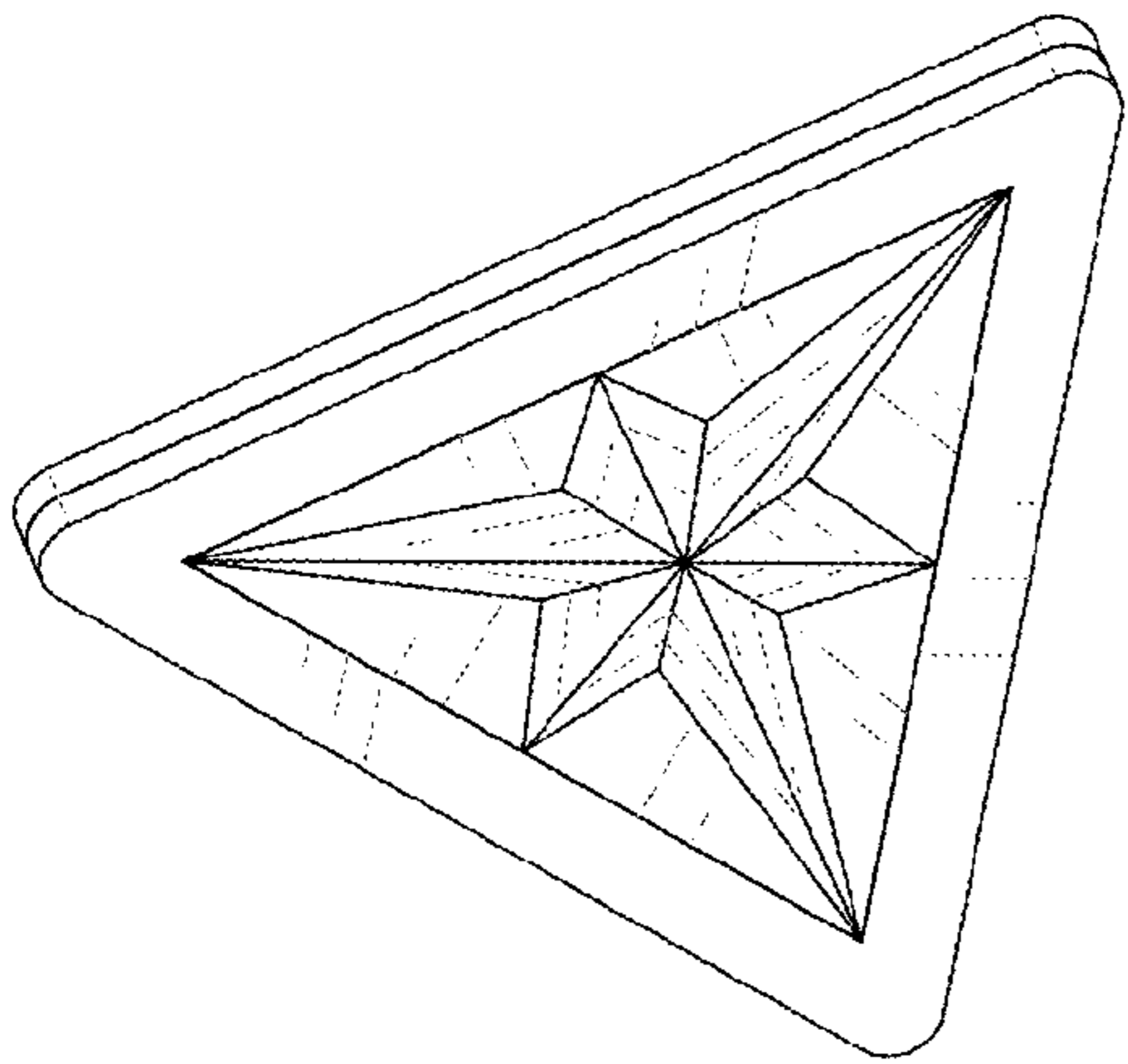


FIG. 13

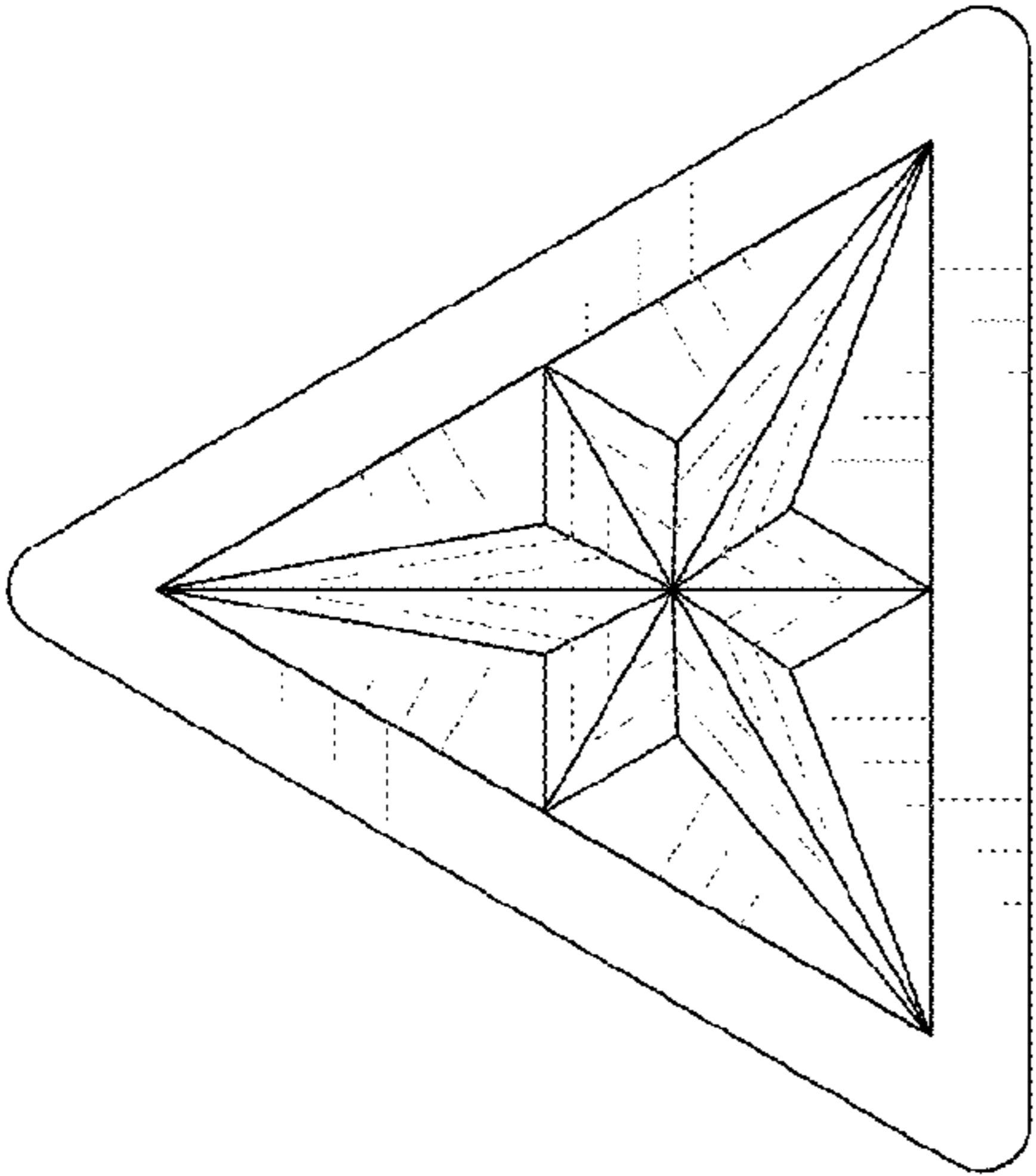


FIG. 14

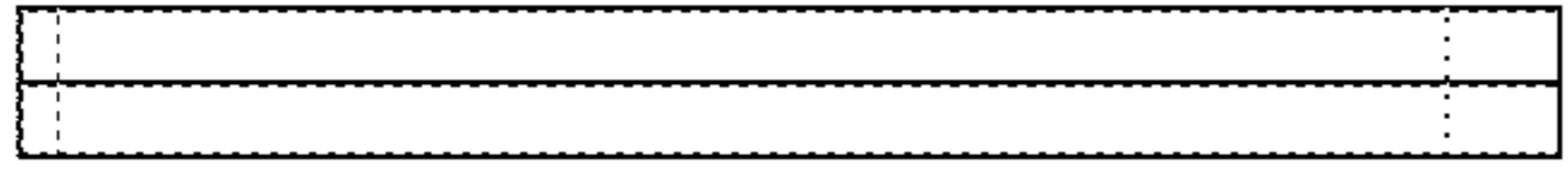


FIG. 15

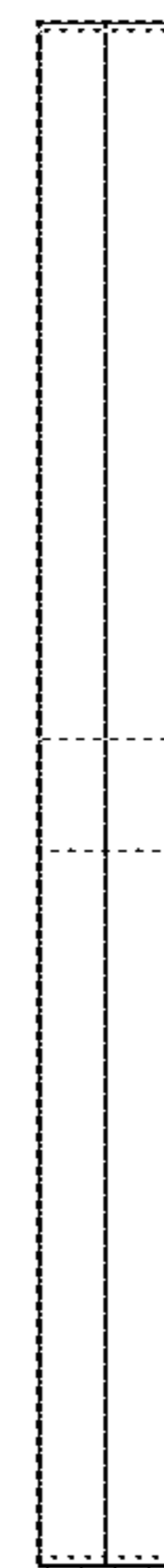


FIG. 16



FIG. 17

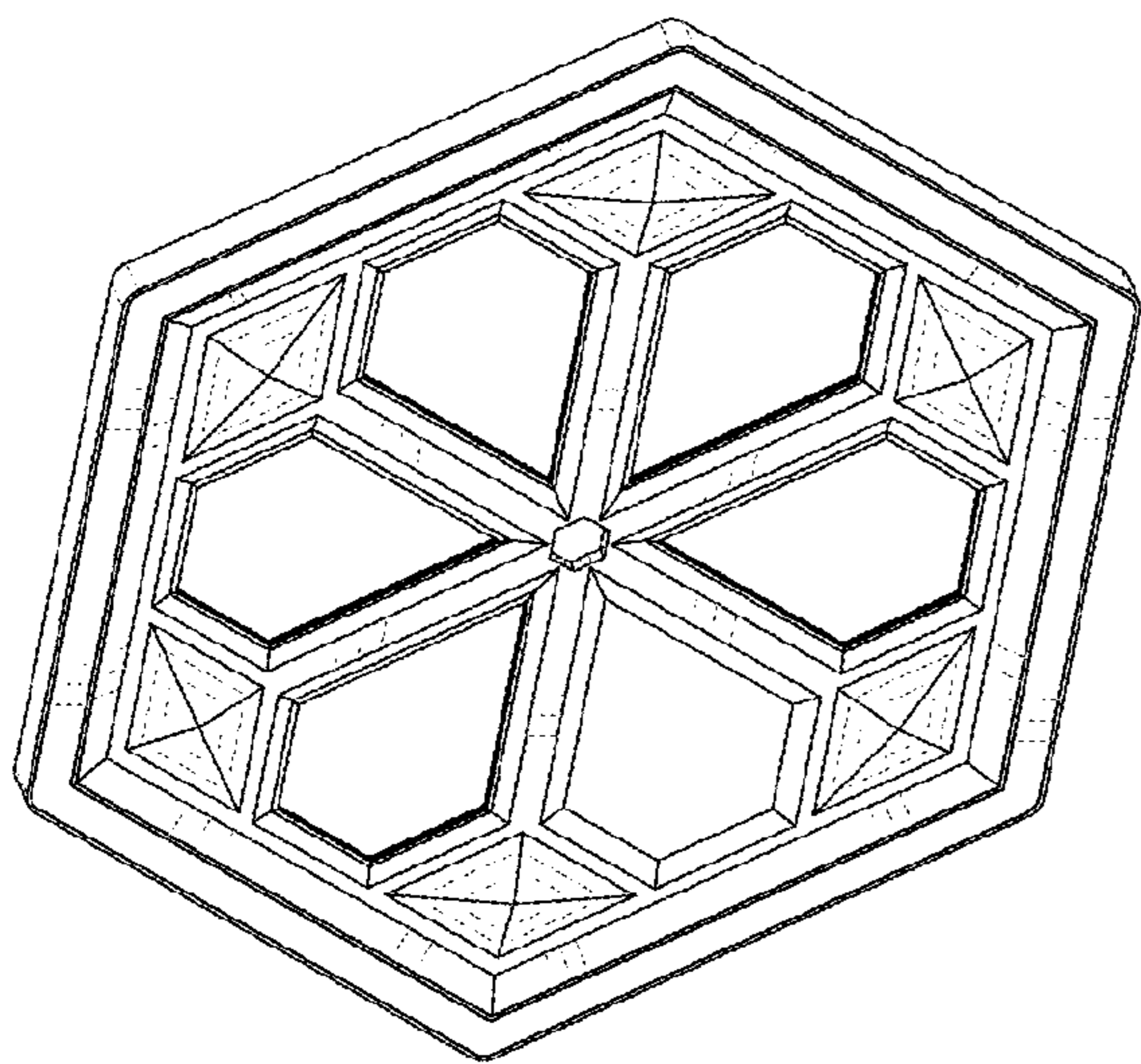


FIG. 18

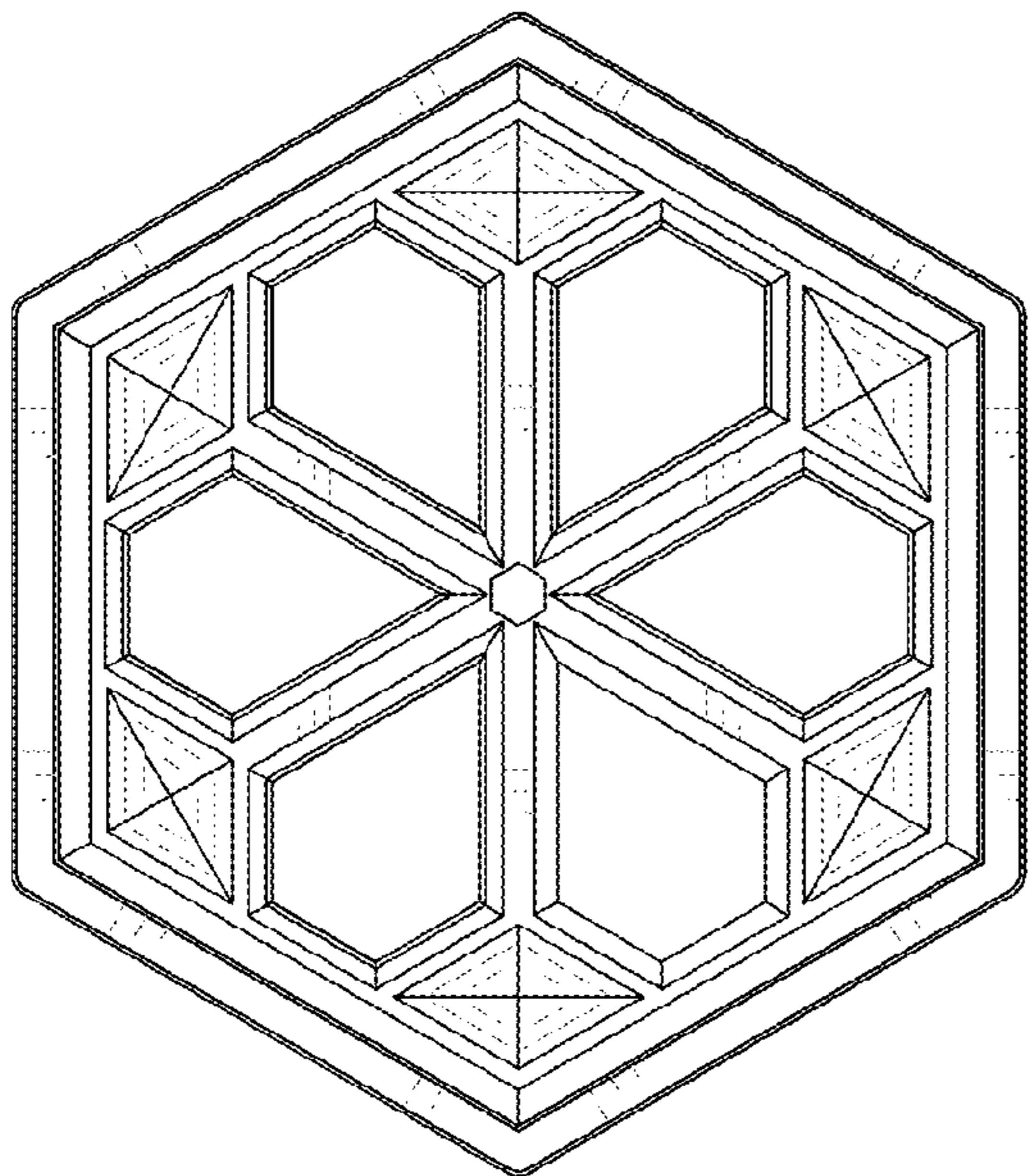


FIG. 19

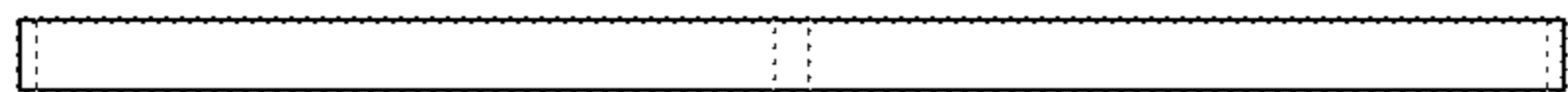


FIG. 20

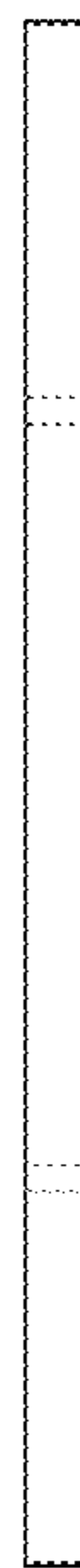


FIG. 21

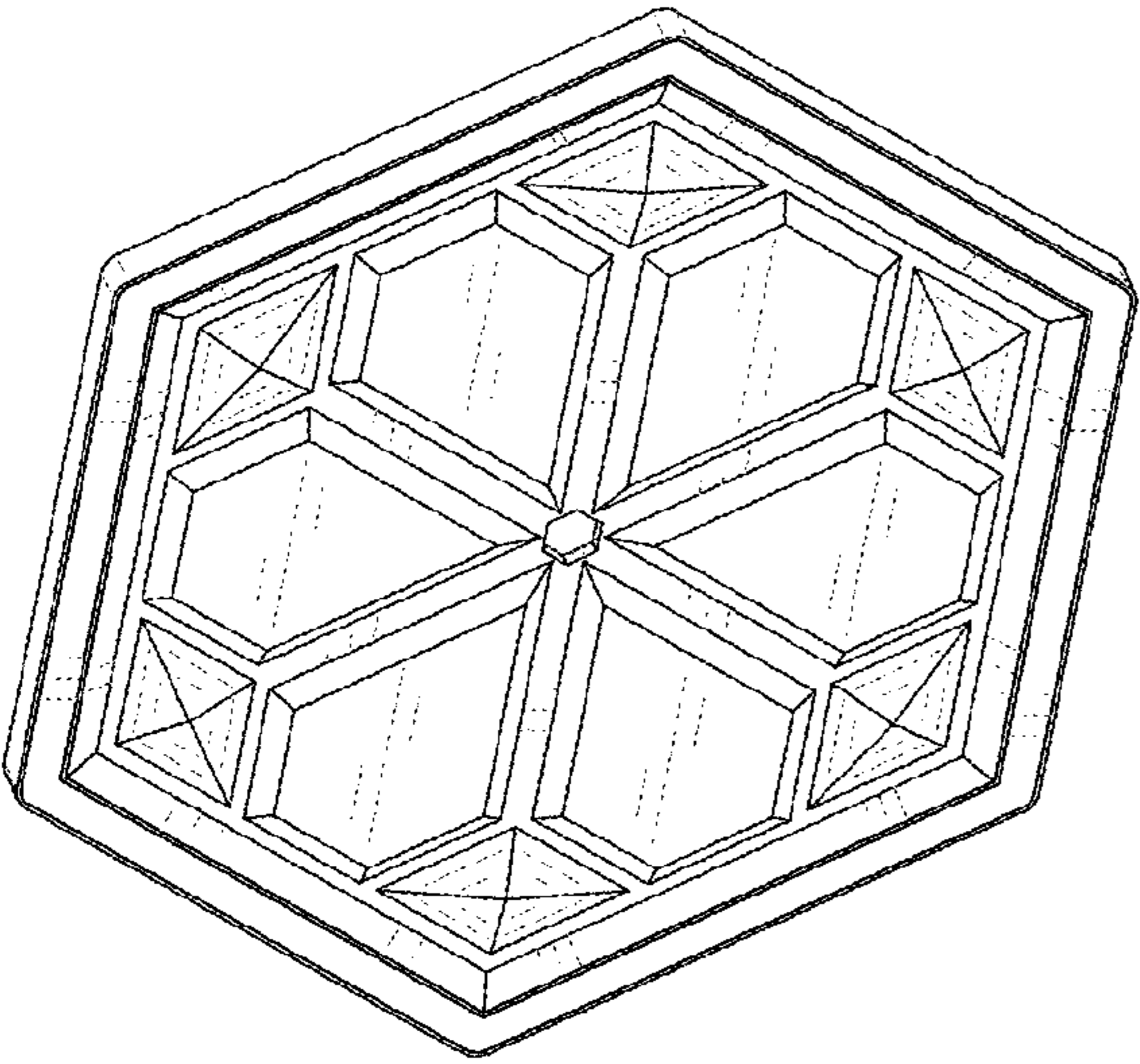


FIG. 22

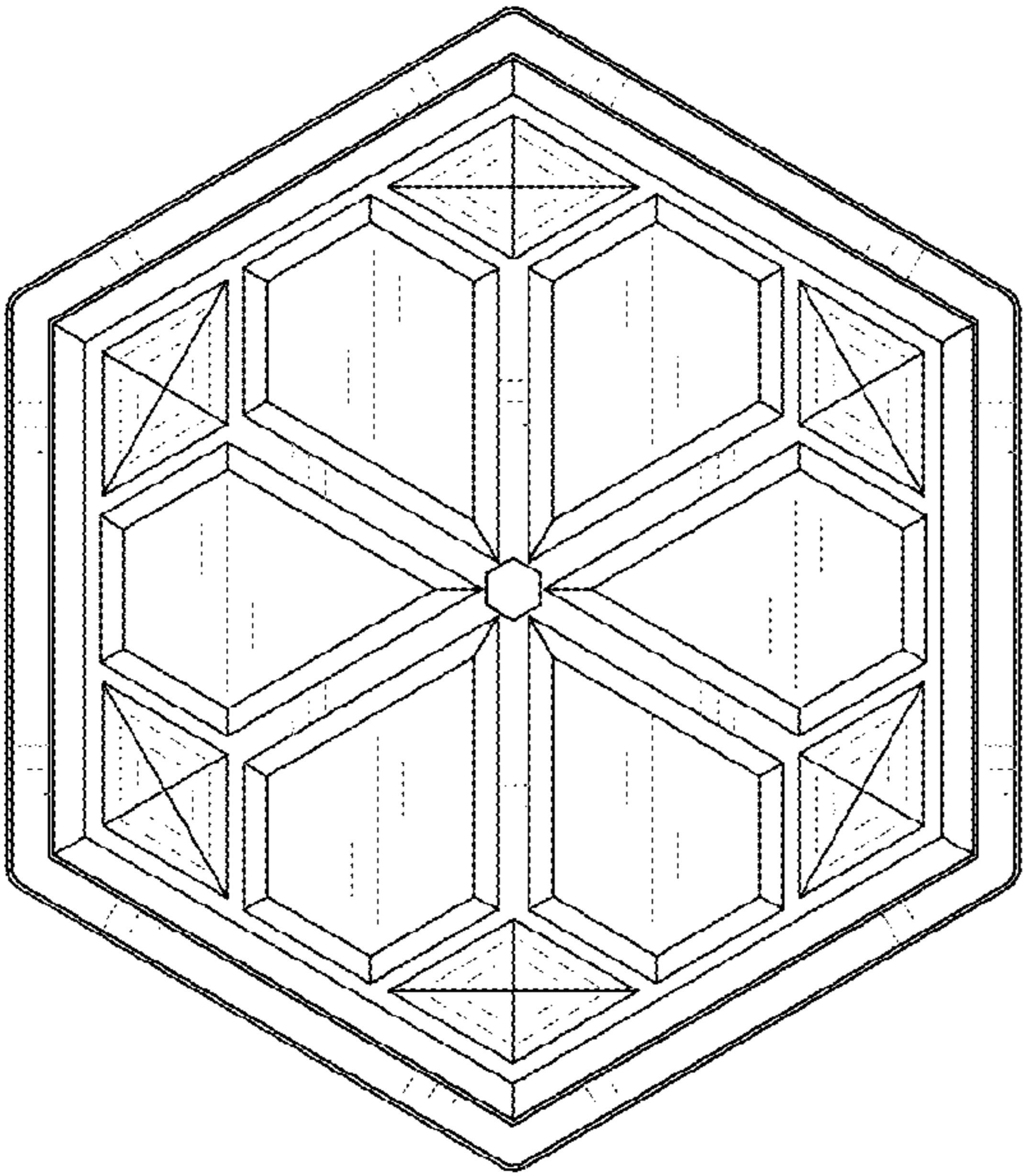


FIG. 23

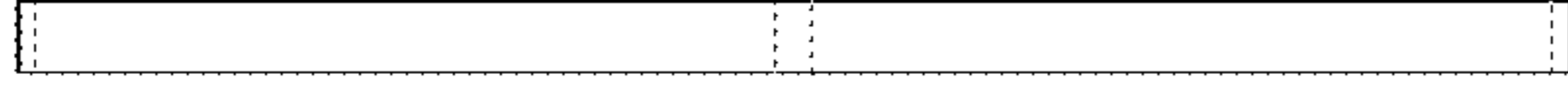


FIG. 24



FIG. 25

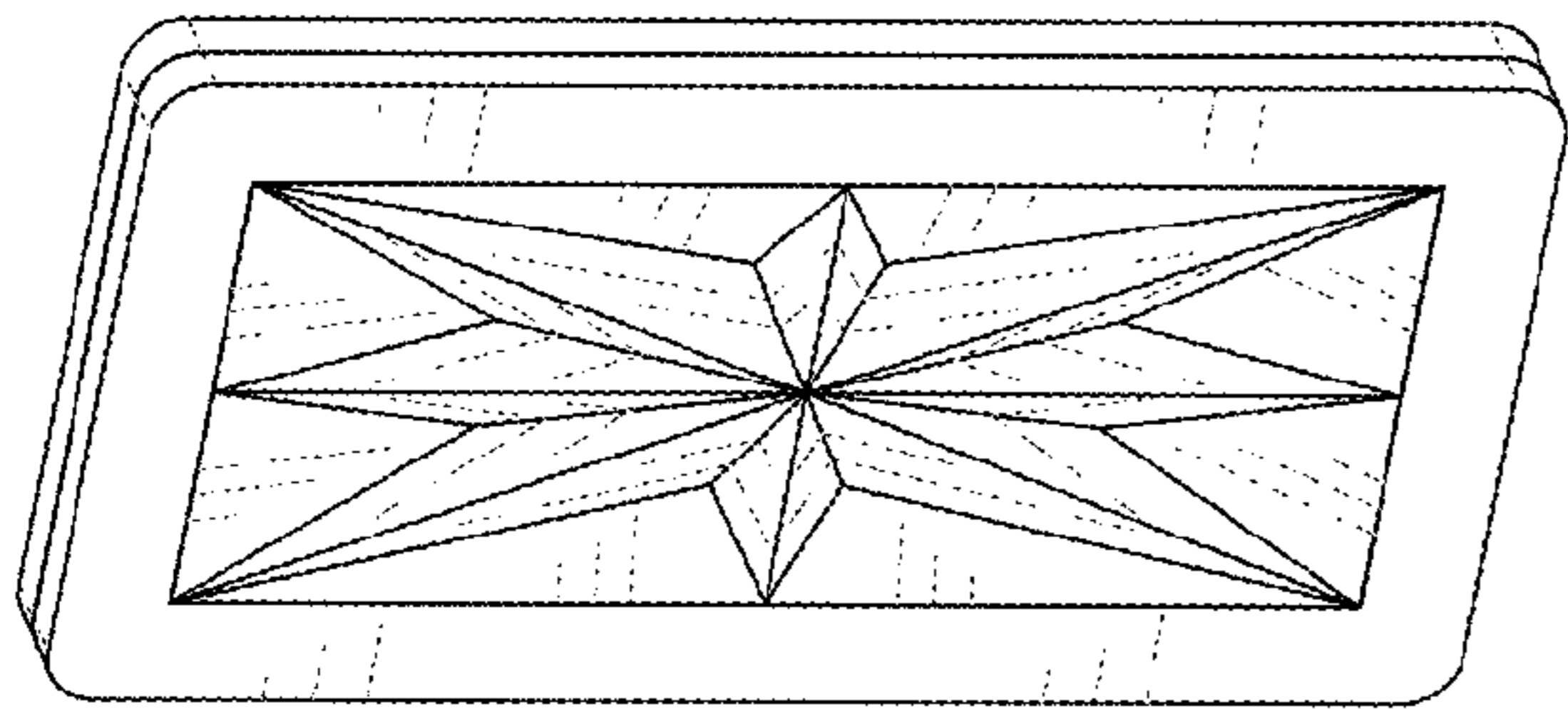


FIG. 26

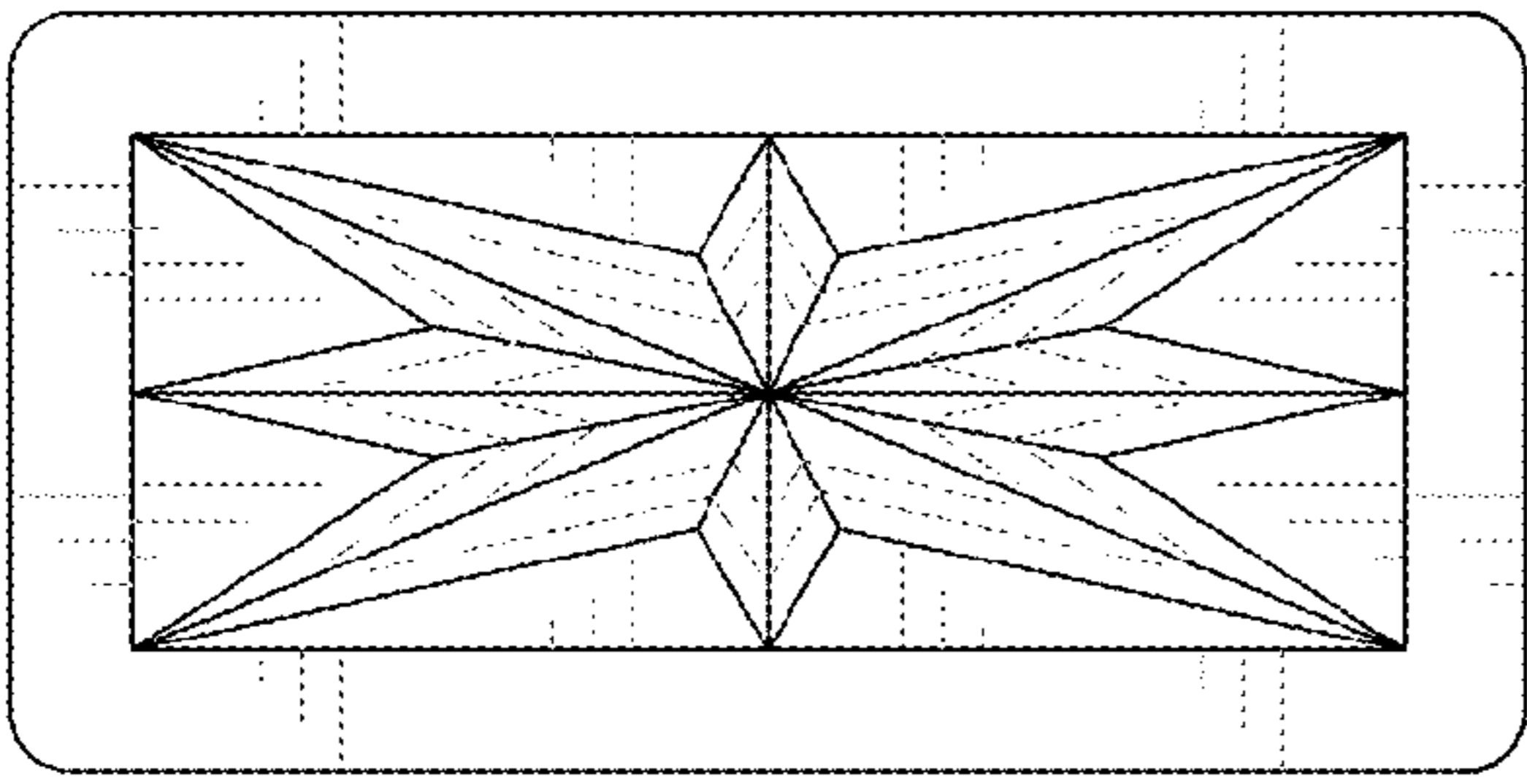


FIG. 27

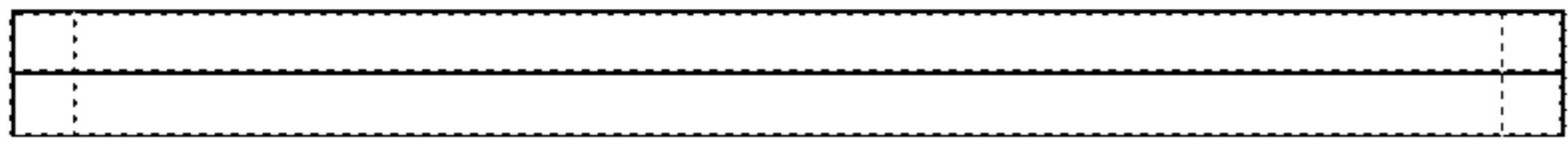


FIG. 28

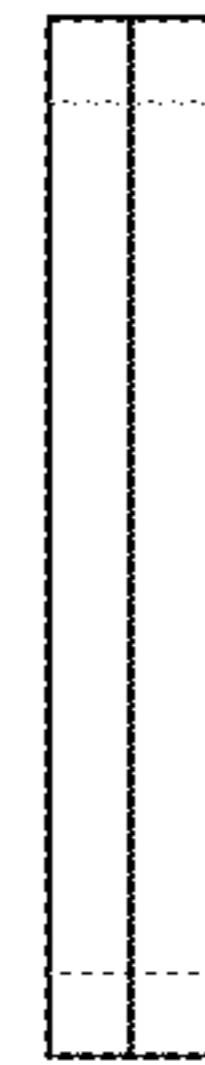


FIG. 29

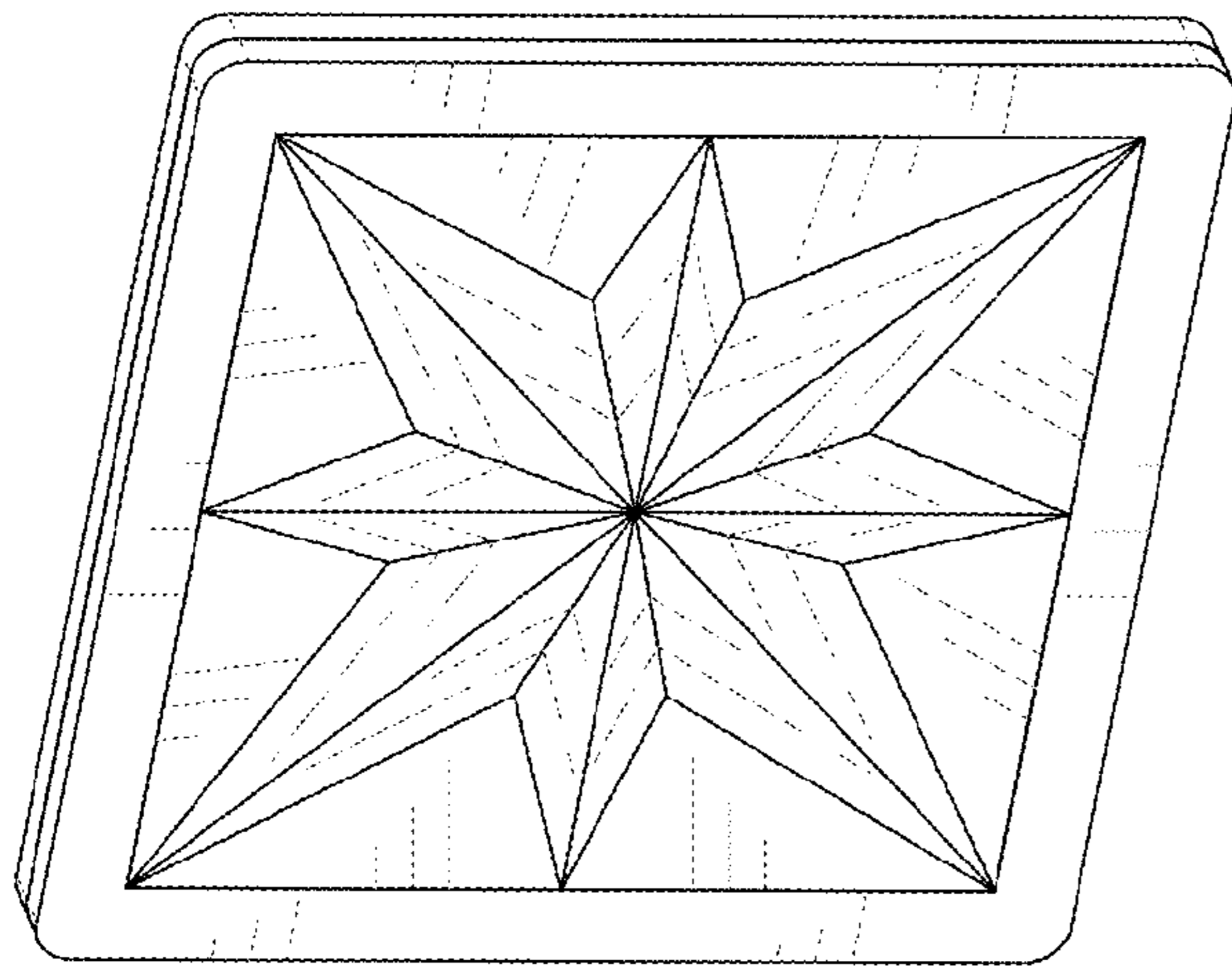


FIG. 30

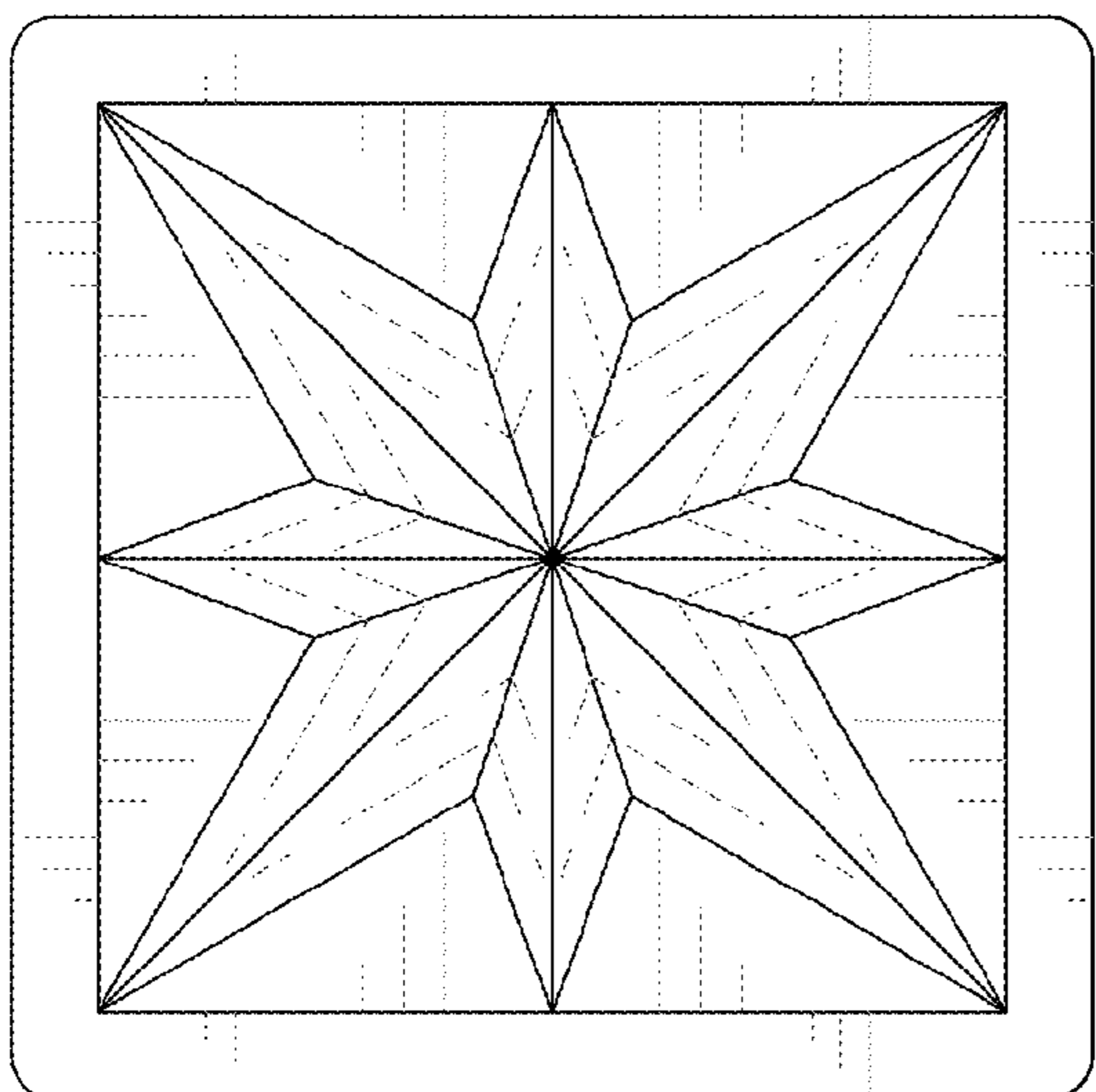


FIG. 31

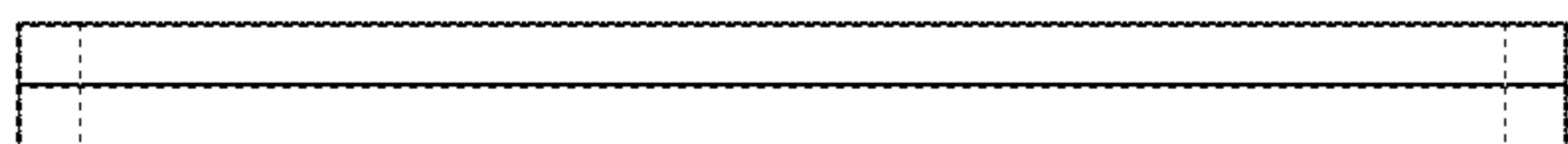


FIG. 32

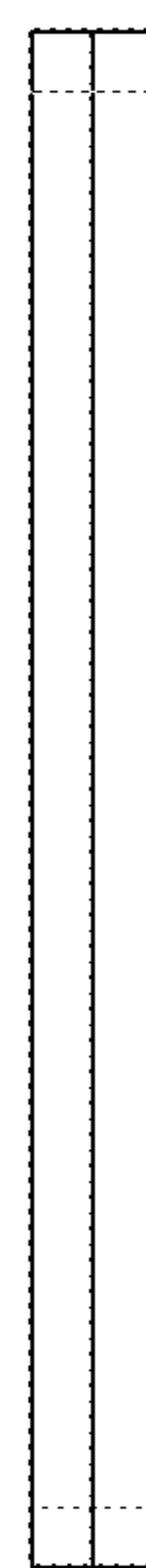


FIG. 33

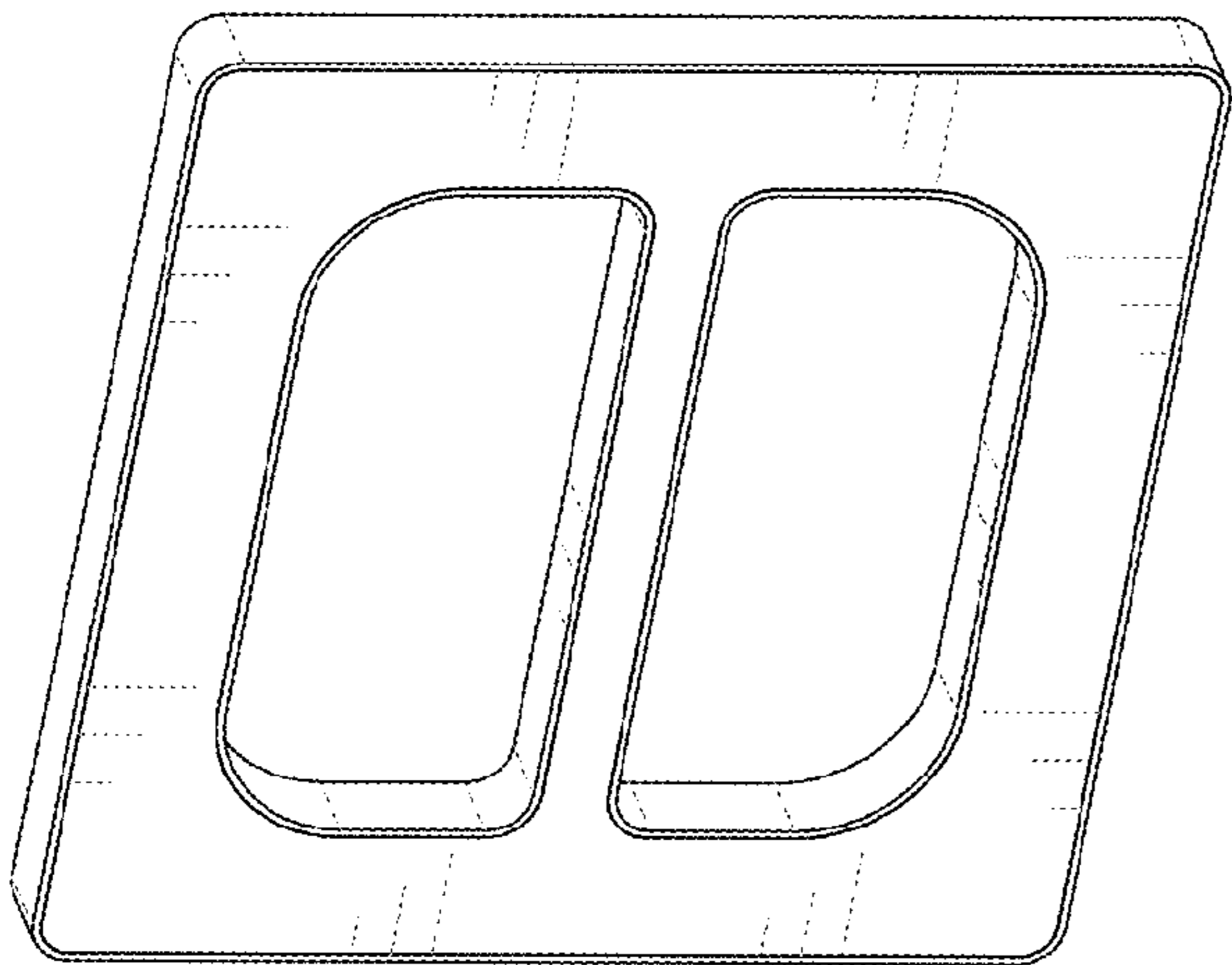


FIG. 34

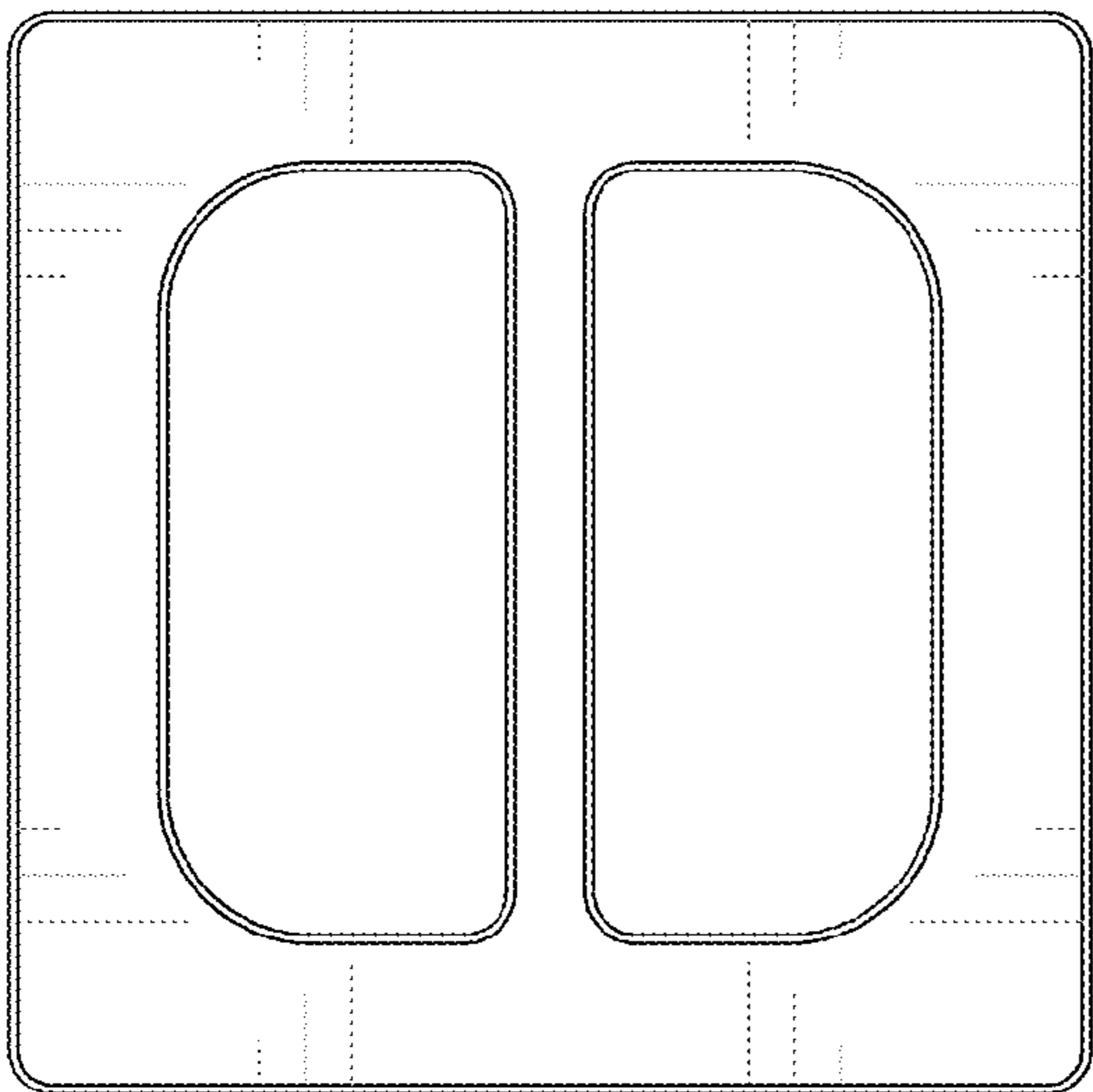


FIG. 35



FIG. 36



FIG. 37

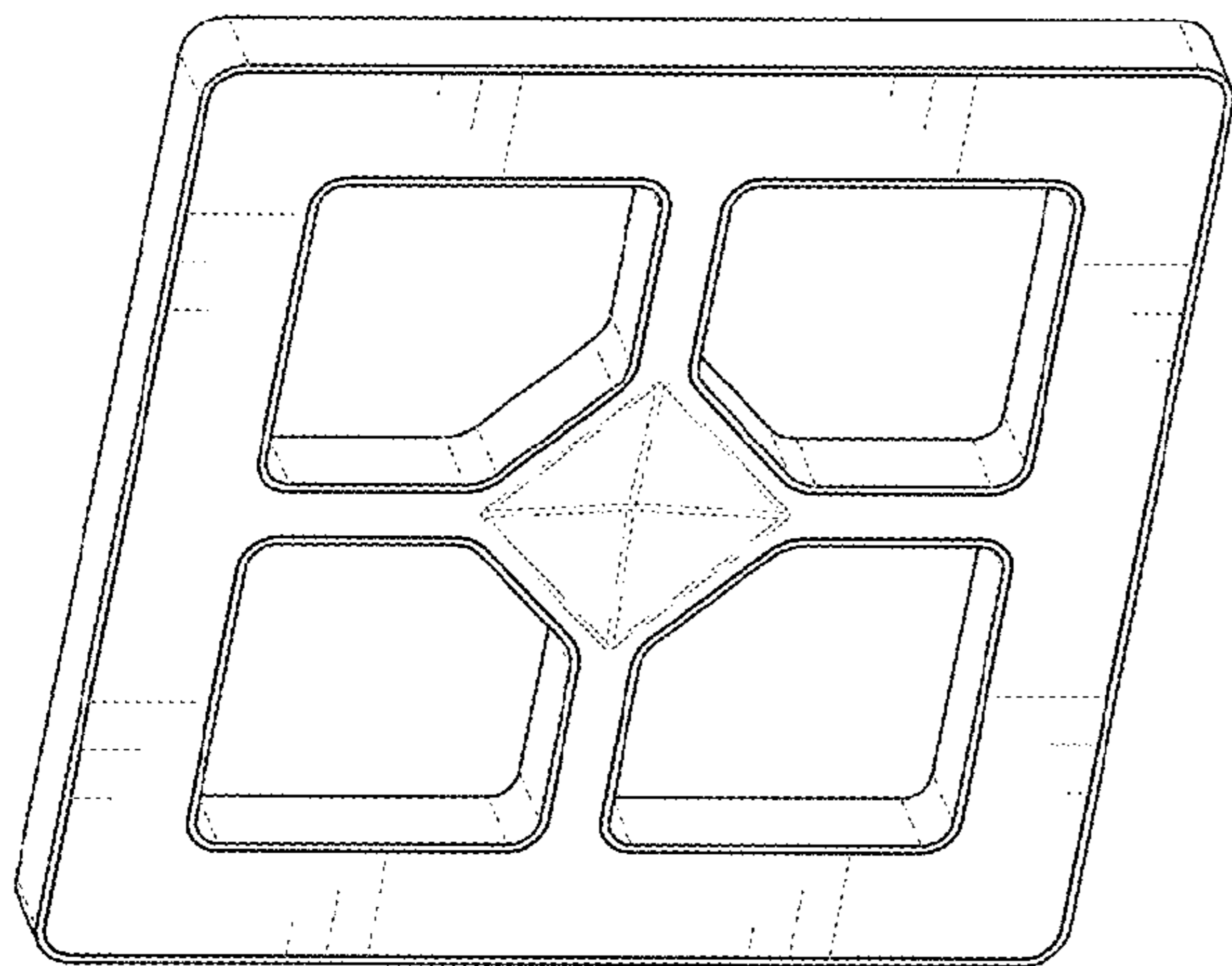


FIG. 38

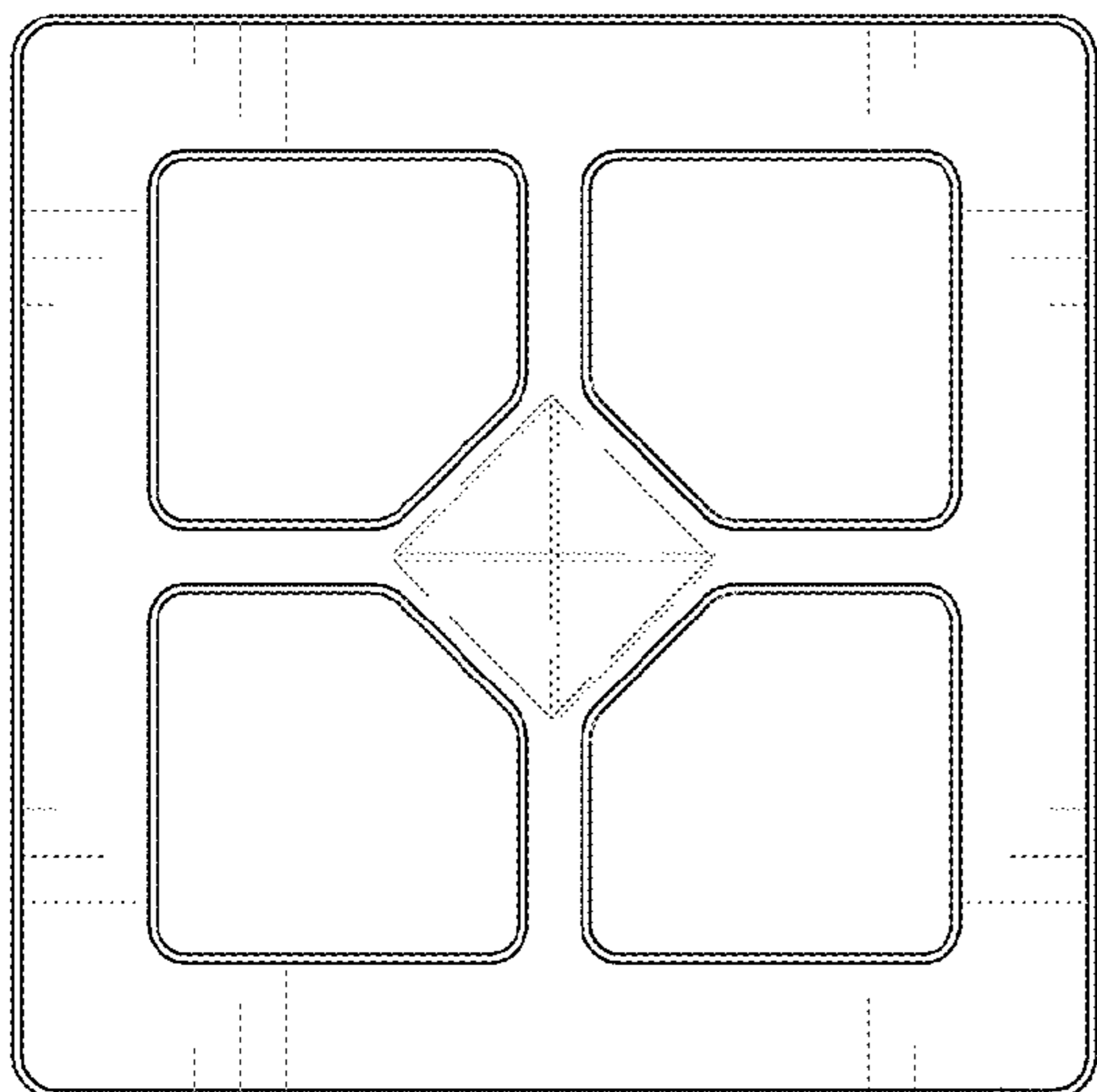


FIG. 39



FIG. 40



FIG. 41

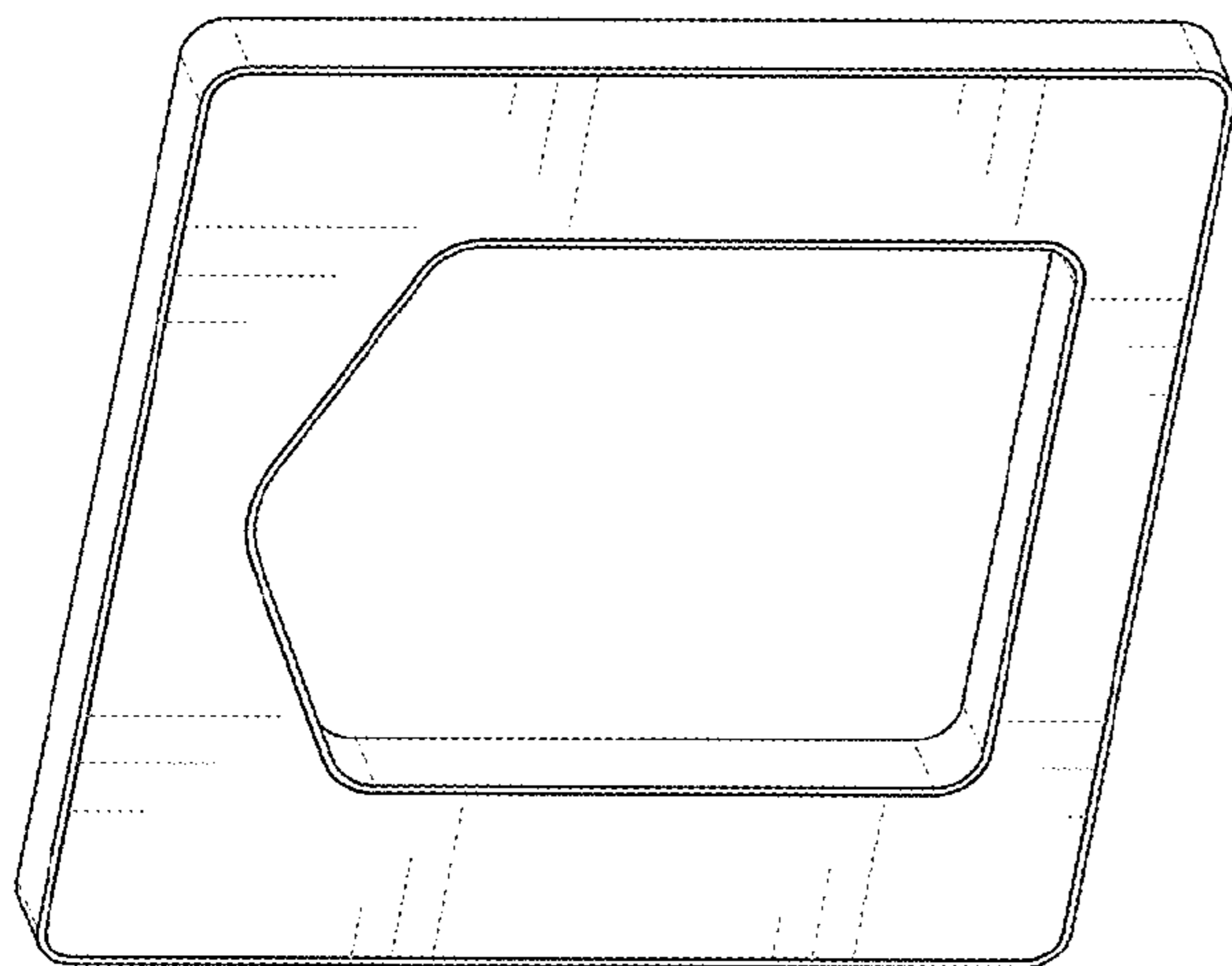


FIG. 42

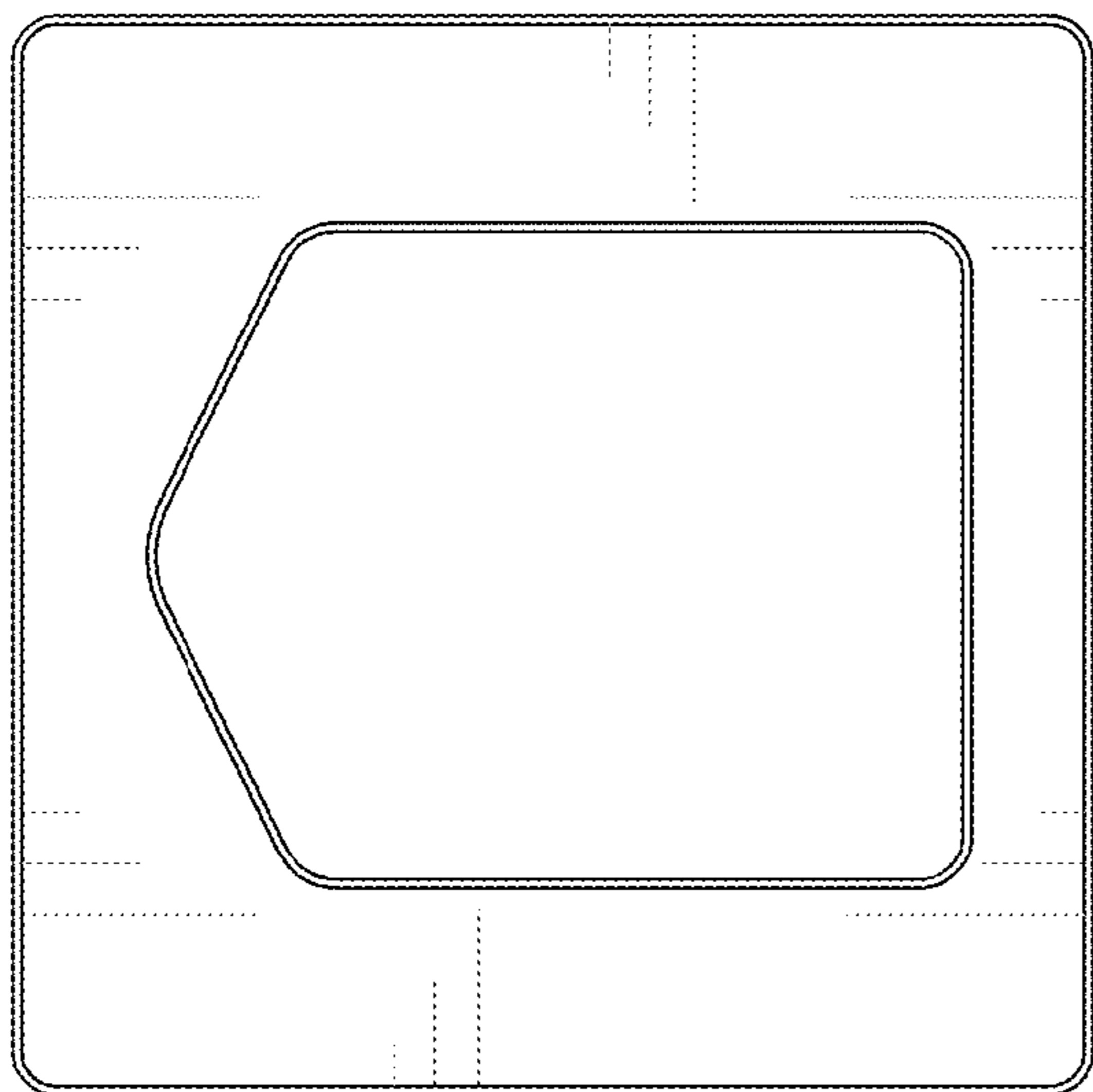


FIG. 43



FIG. 44



FIG. 45

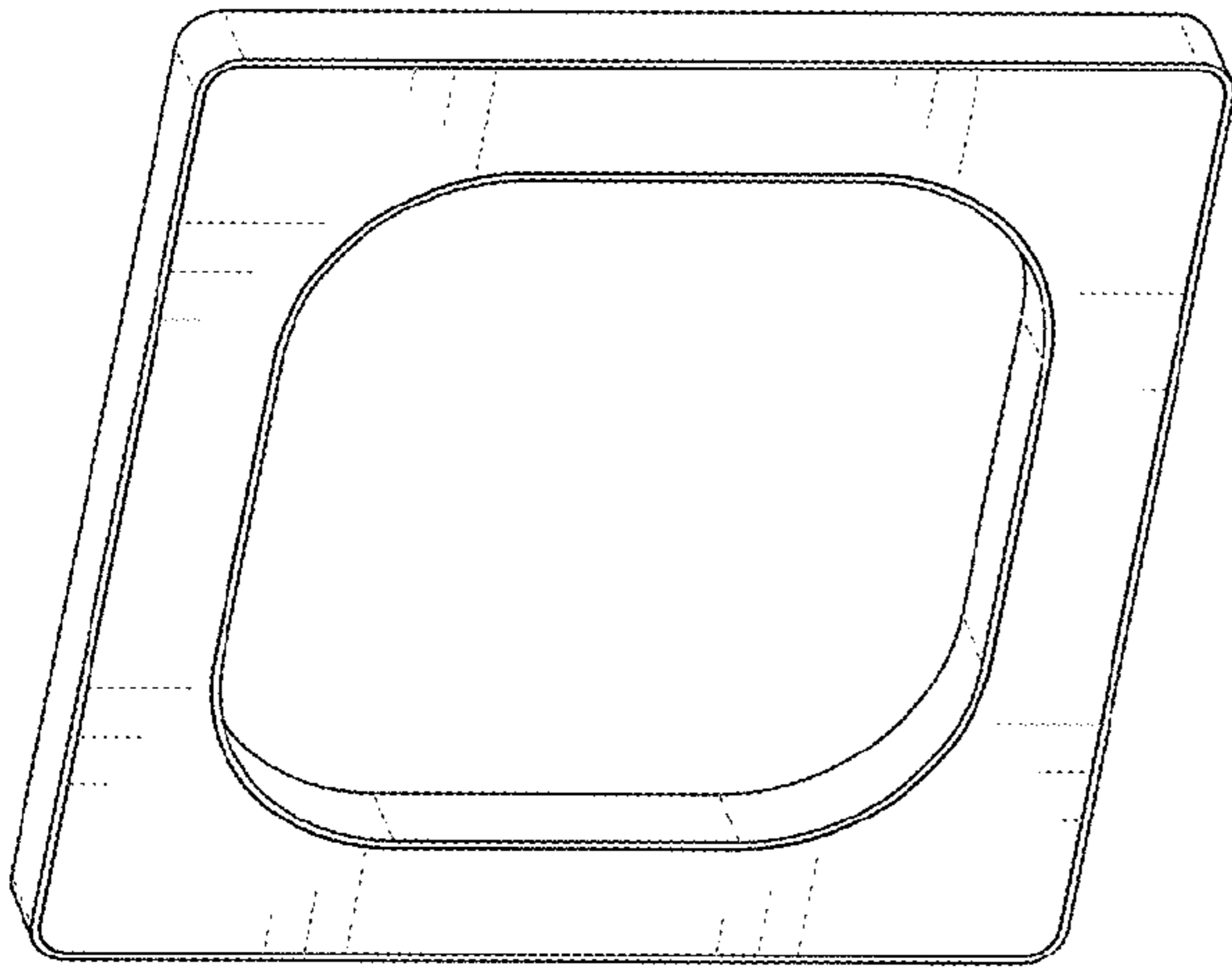


FIG. 46

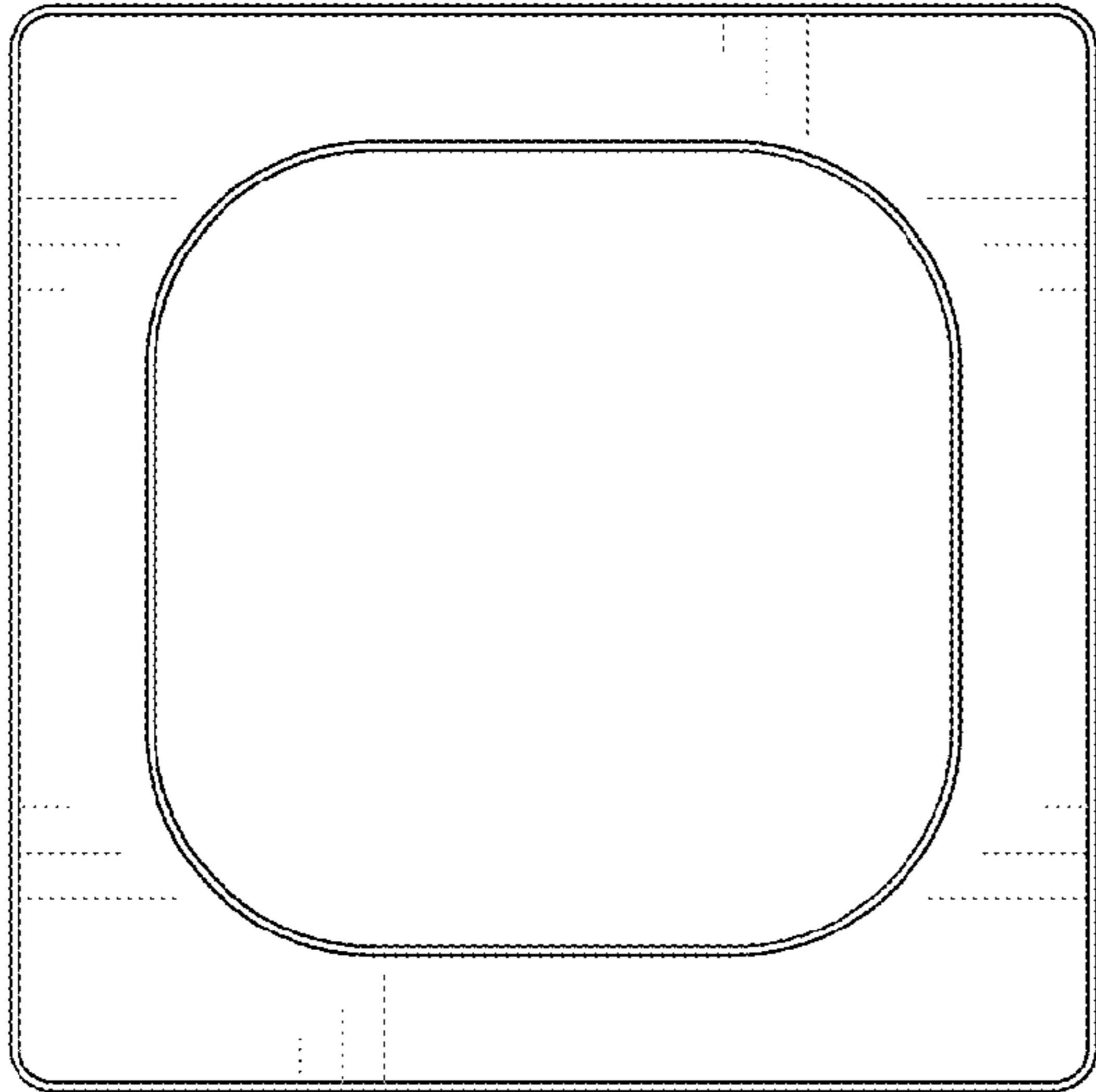


FIG. 47



FIG. 48

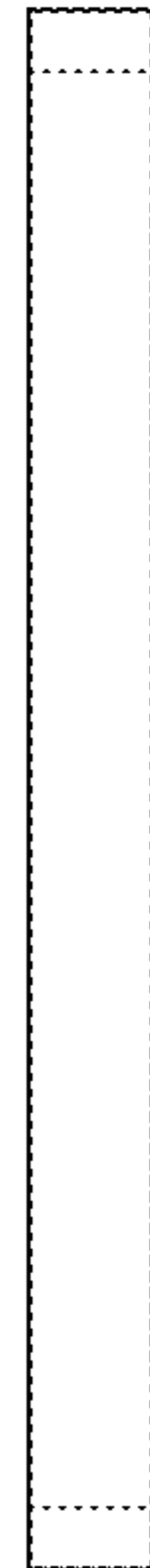


FIG. 49

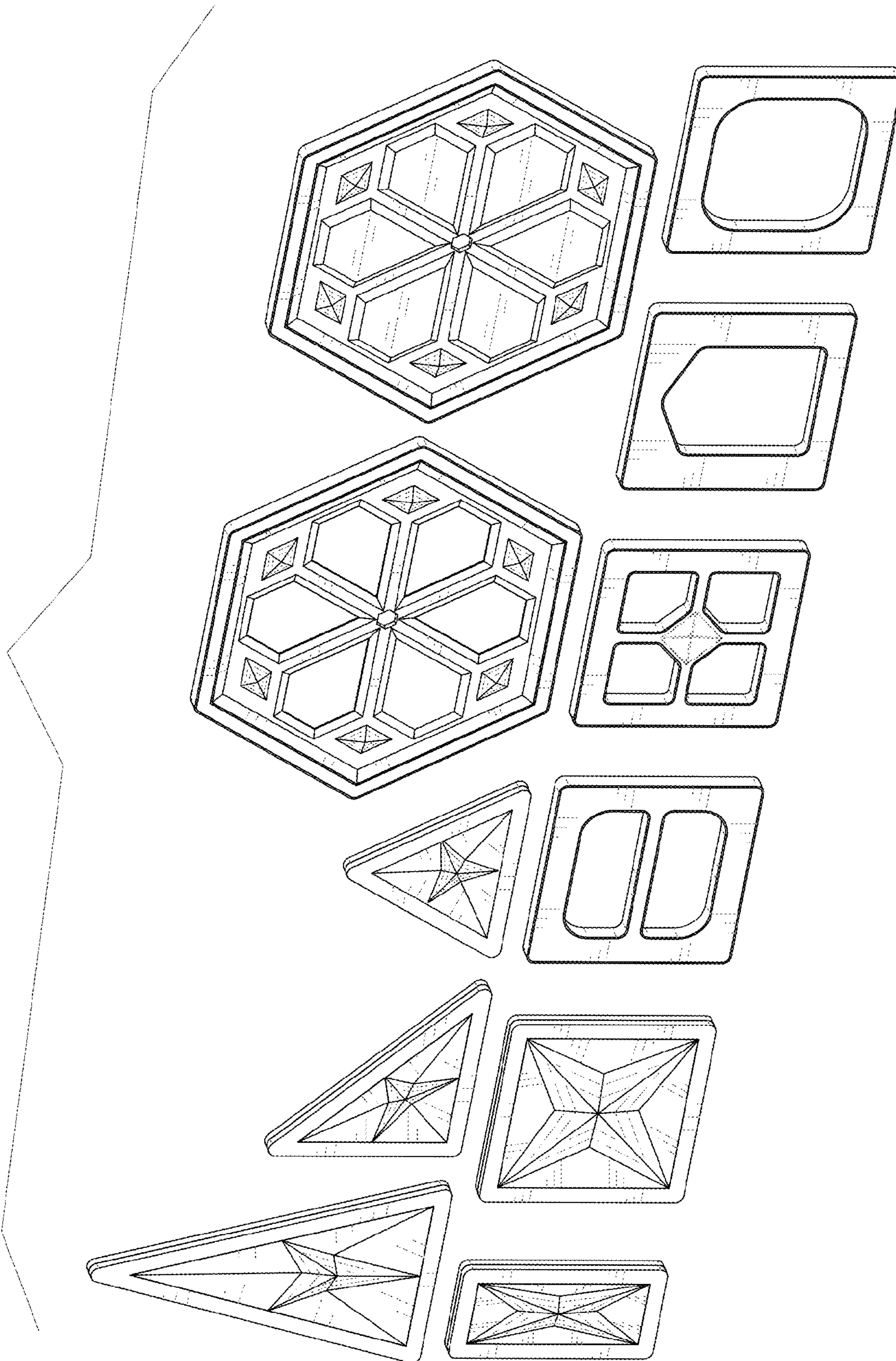


FIG. 50

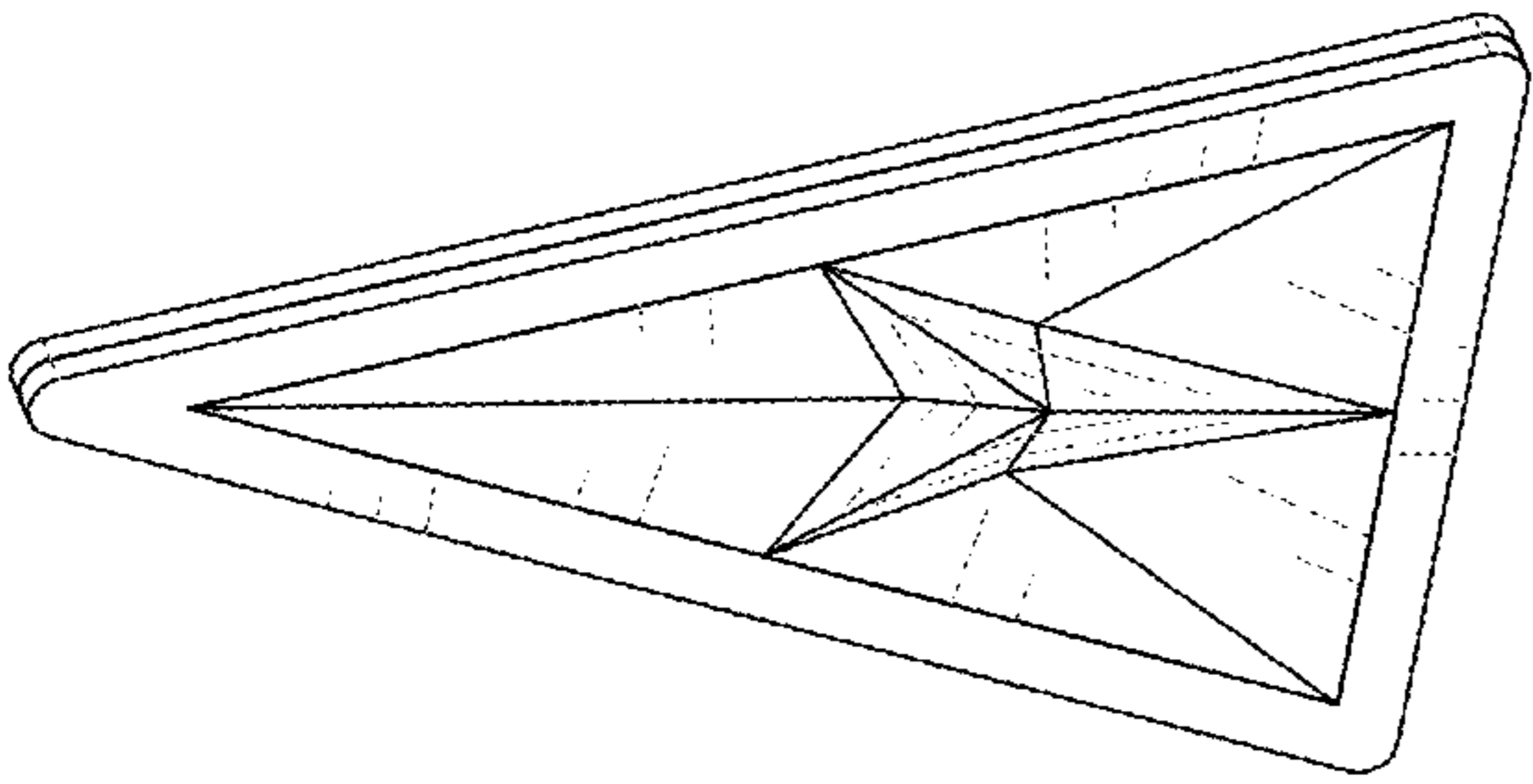


FIG. 51

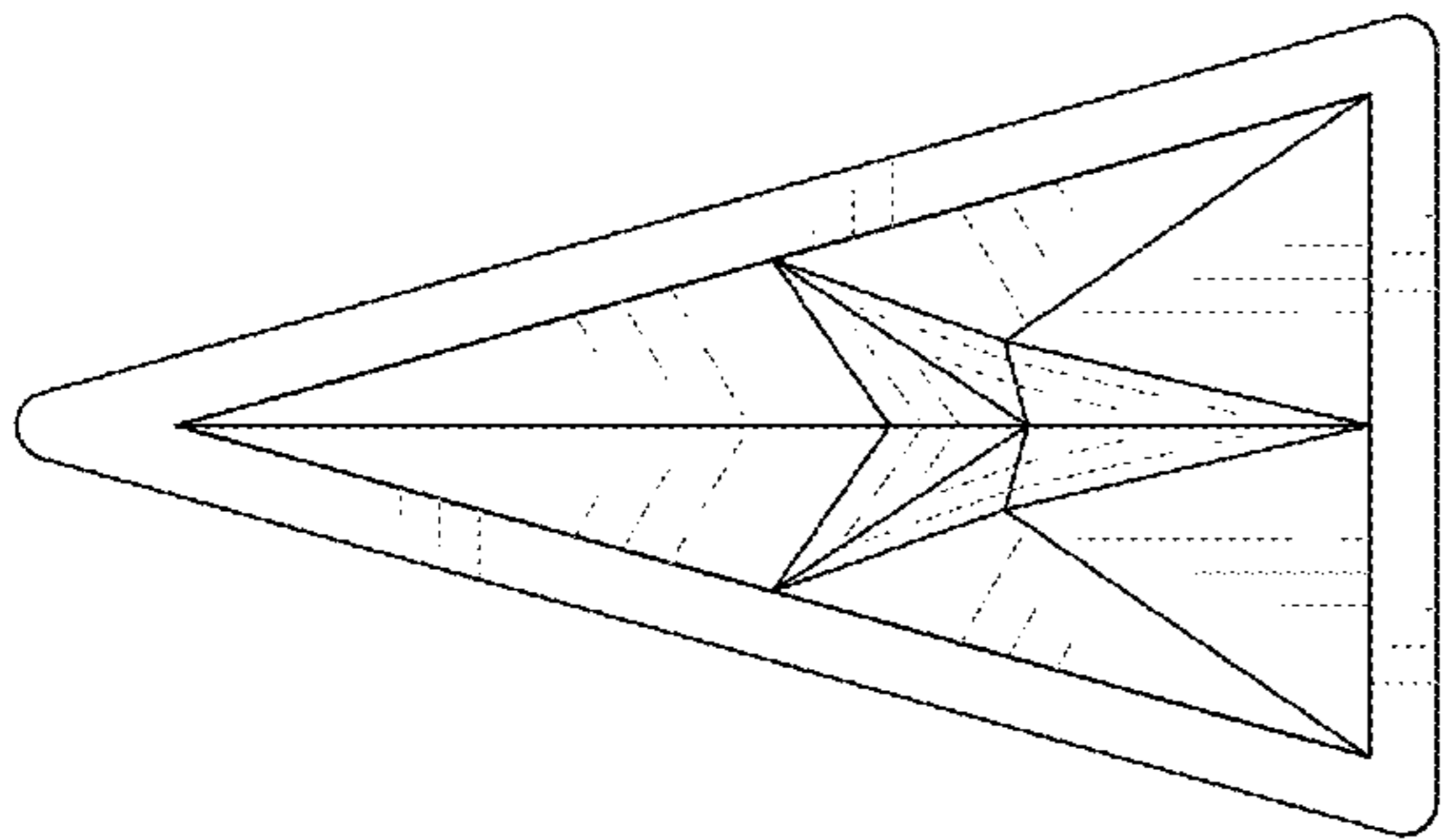


FIG. 52

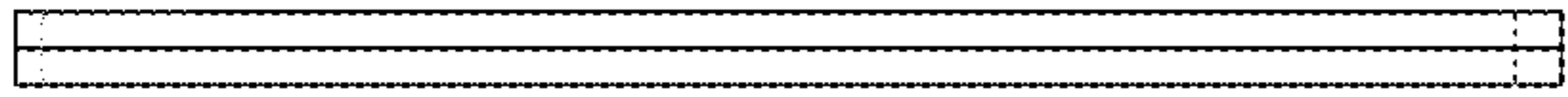


FIG. 53



FIG. 54

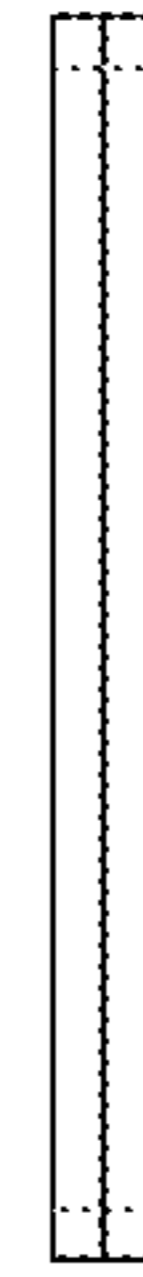


FIG. 55

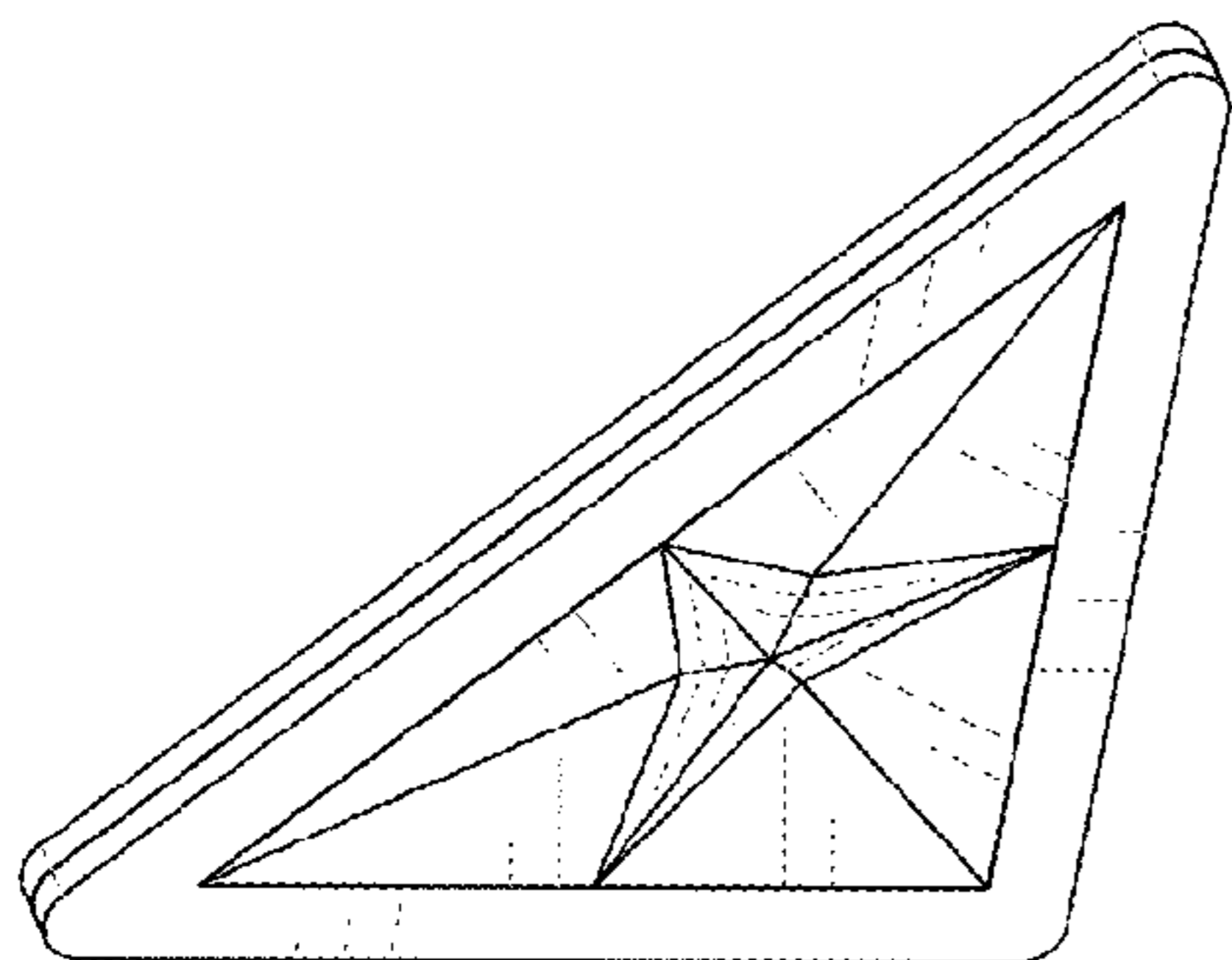


FIG. 56

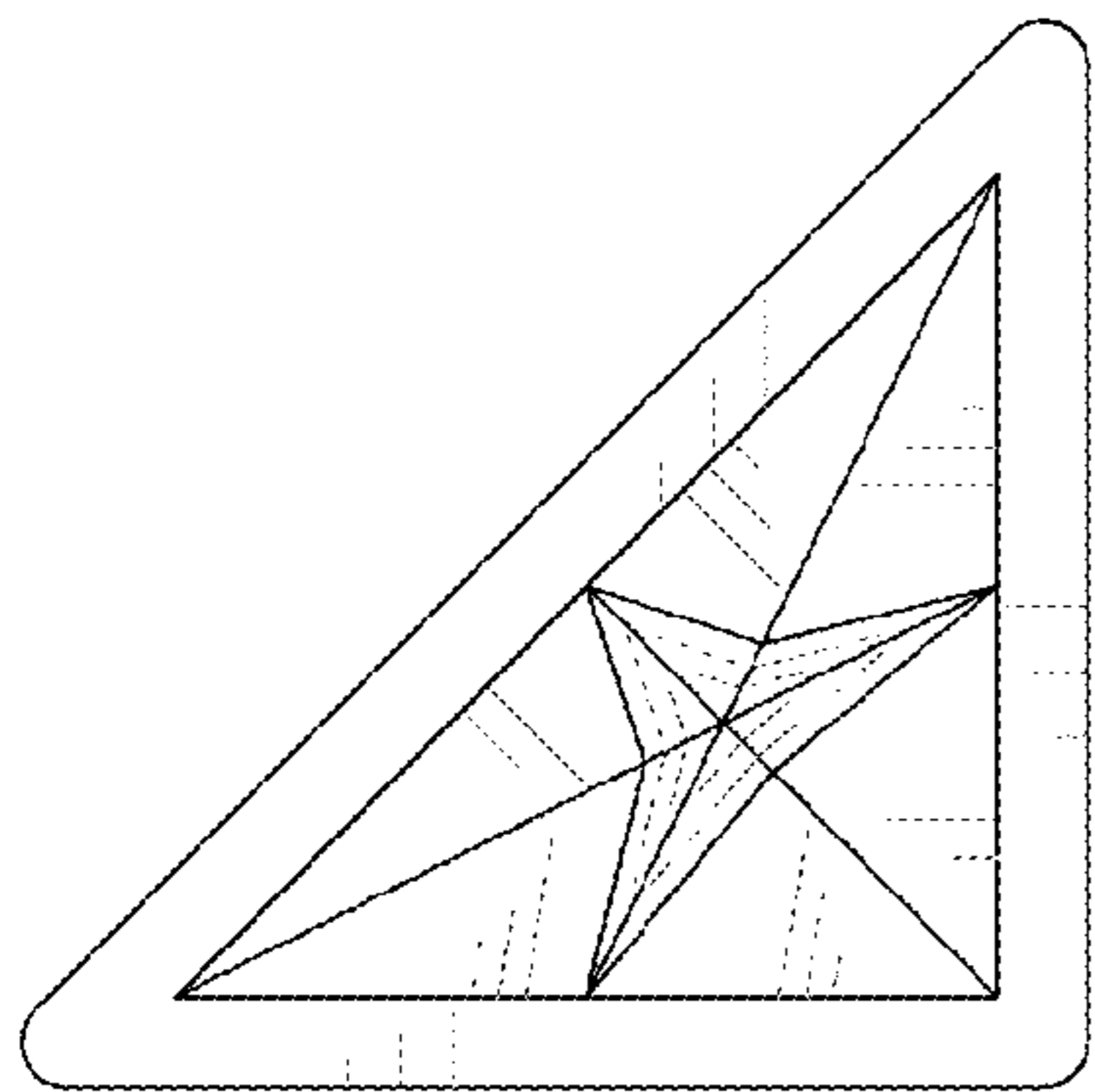


FIG. 57

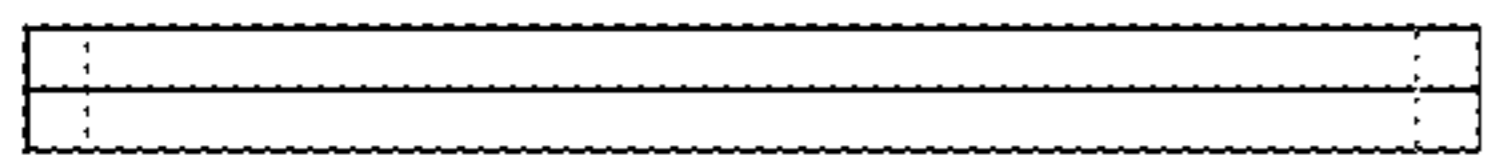


FIG. 58

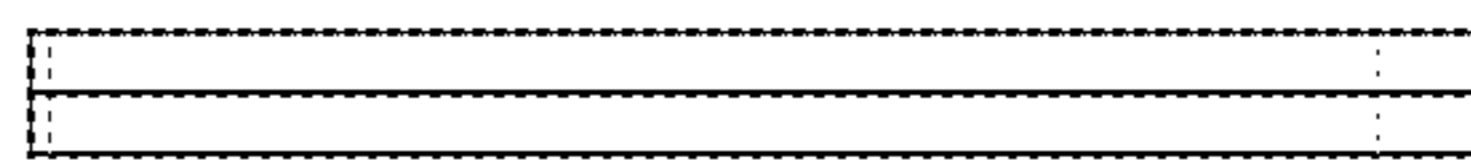


FIG. 59

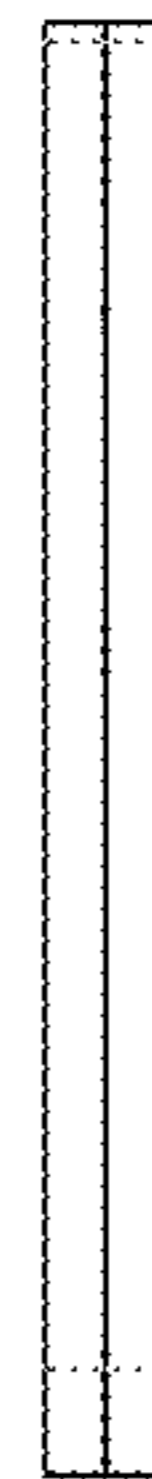


FIG. 60

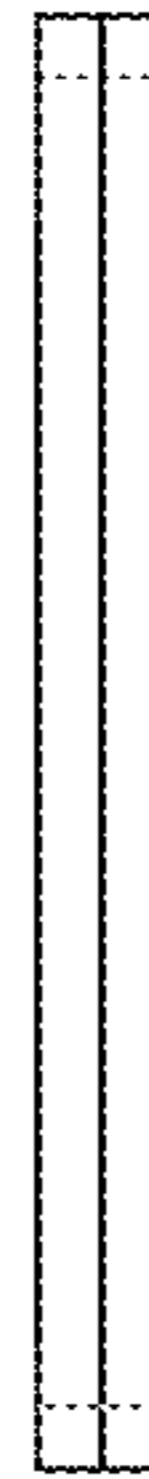


FIG. 61

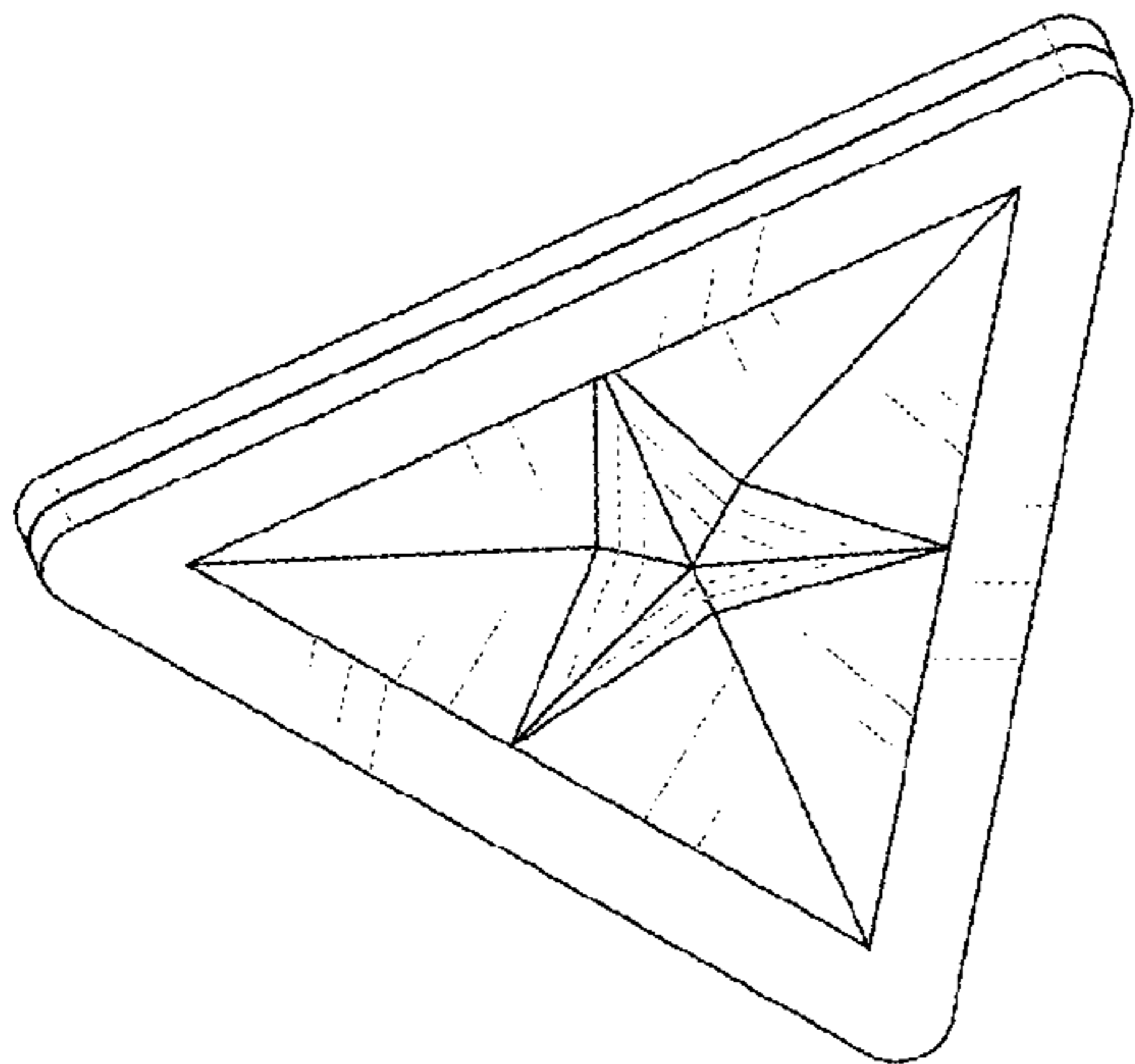


FIG. 62

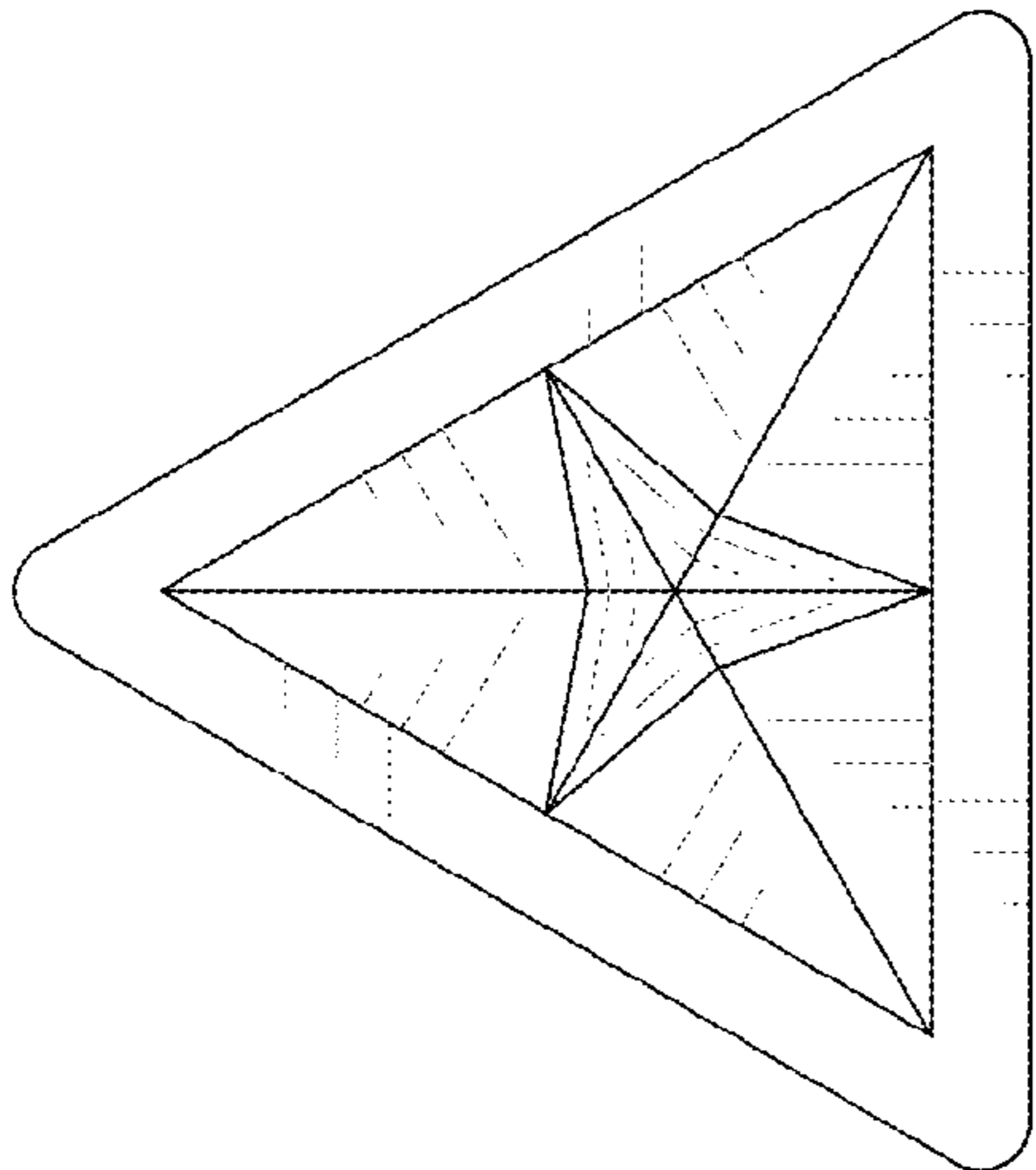


FIG. 63

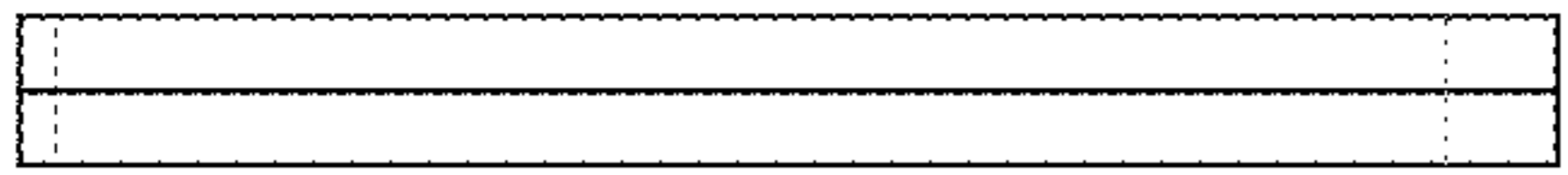


FIG. 64

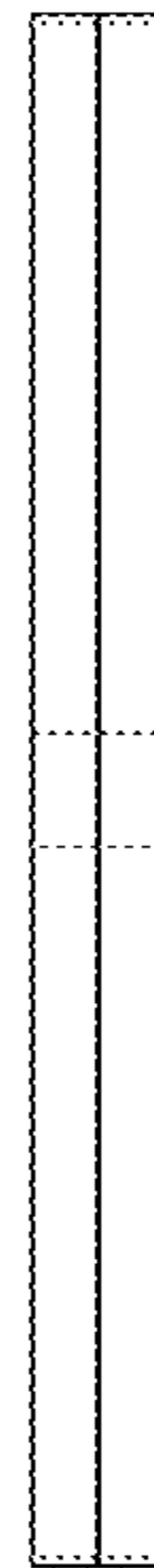


FIG. 65

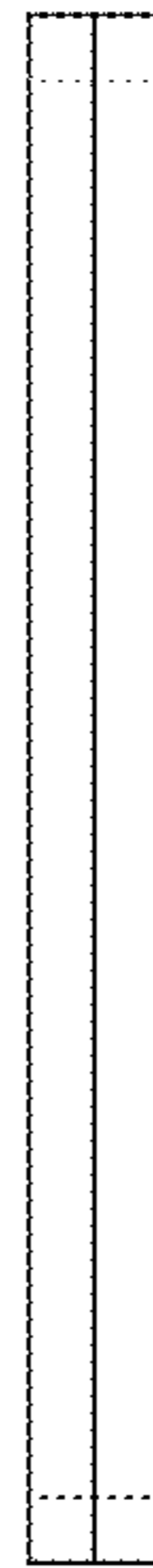


FIG. 66

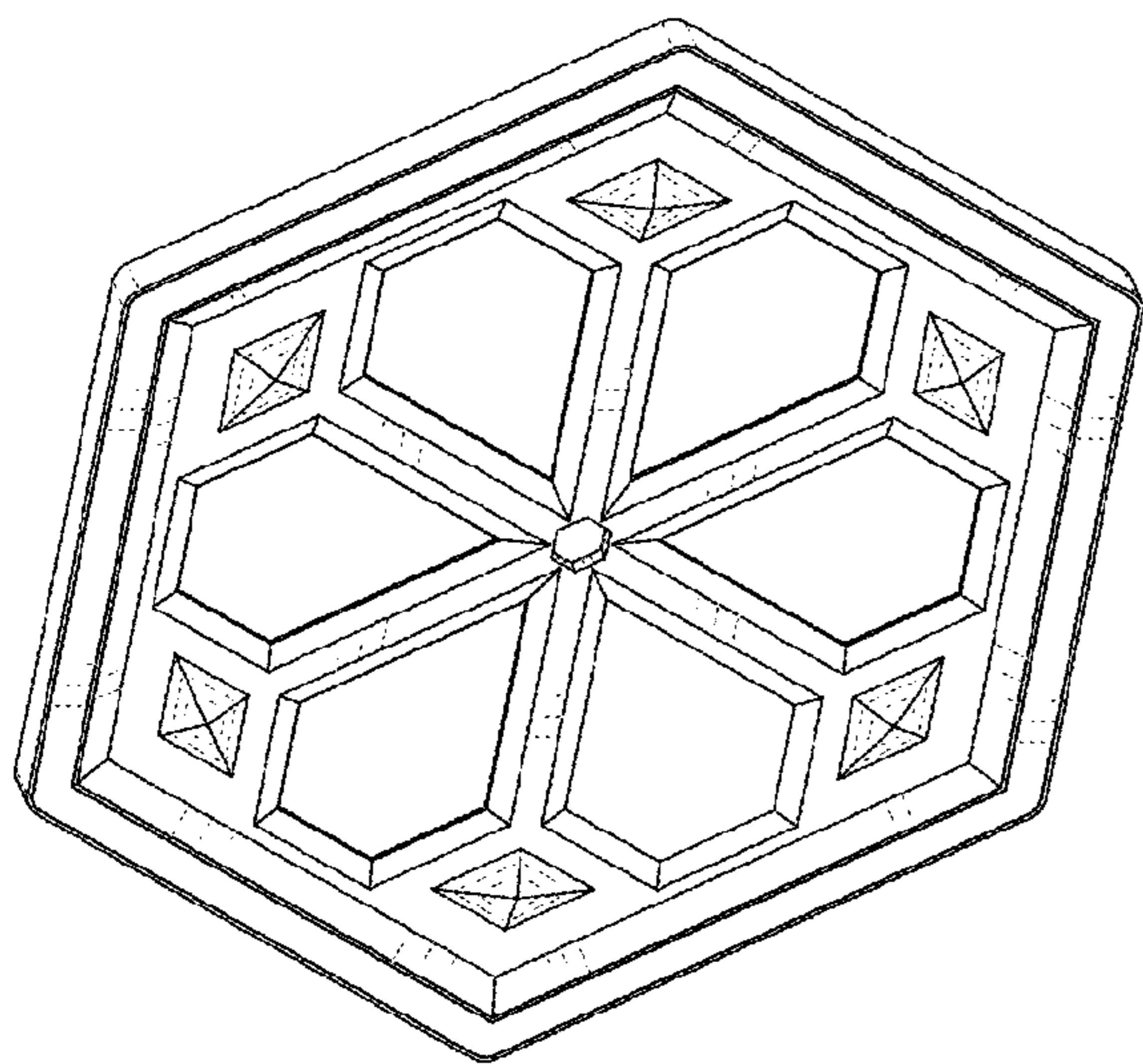


FIG. 67

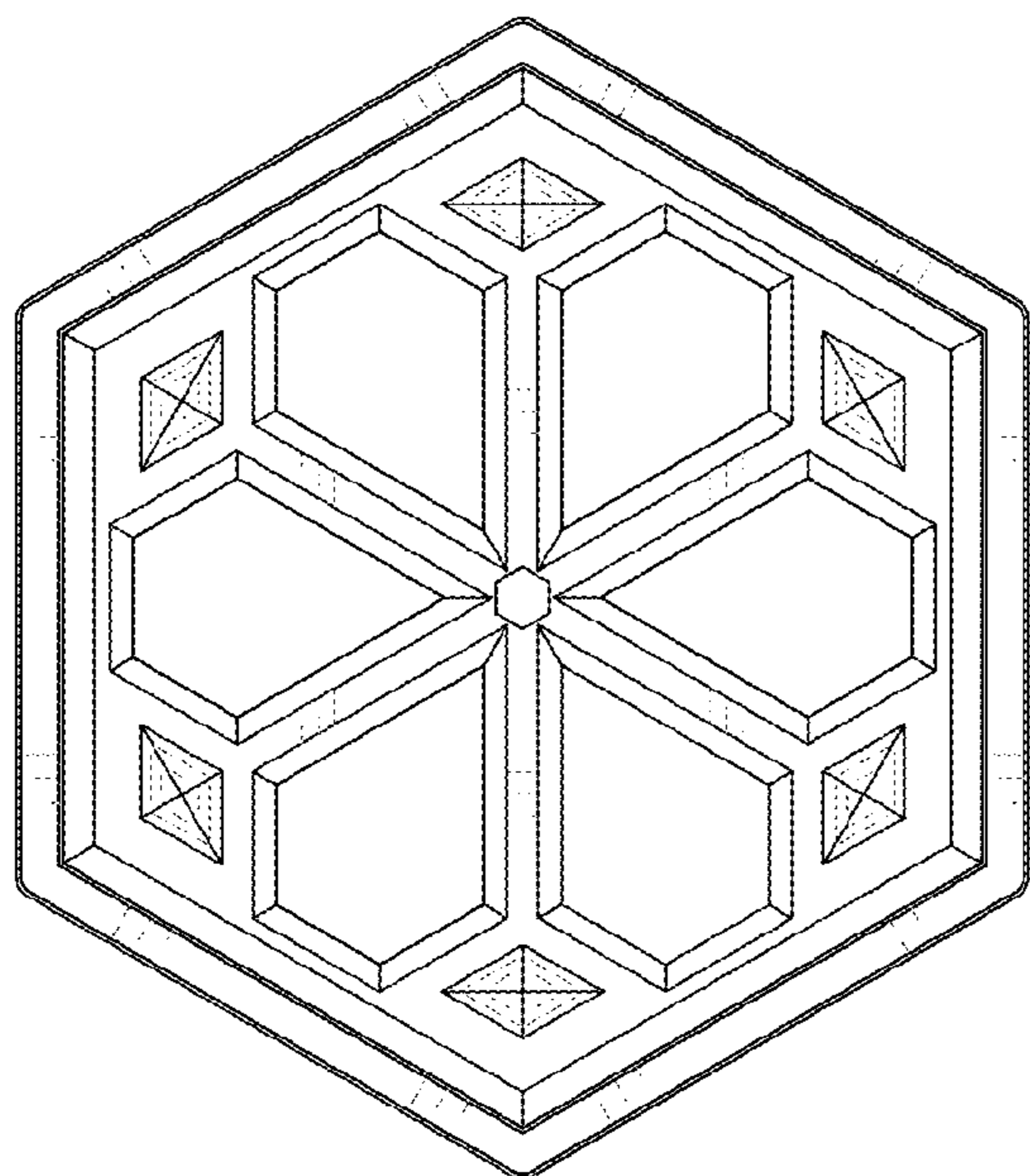


FIG. 68

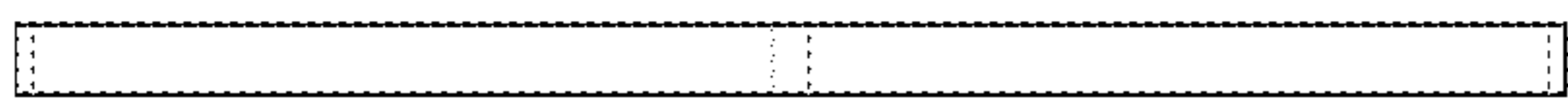


FIG. 69

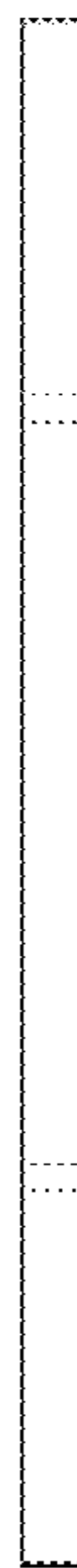


FIG. 70

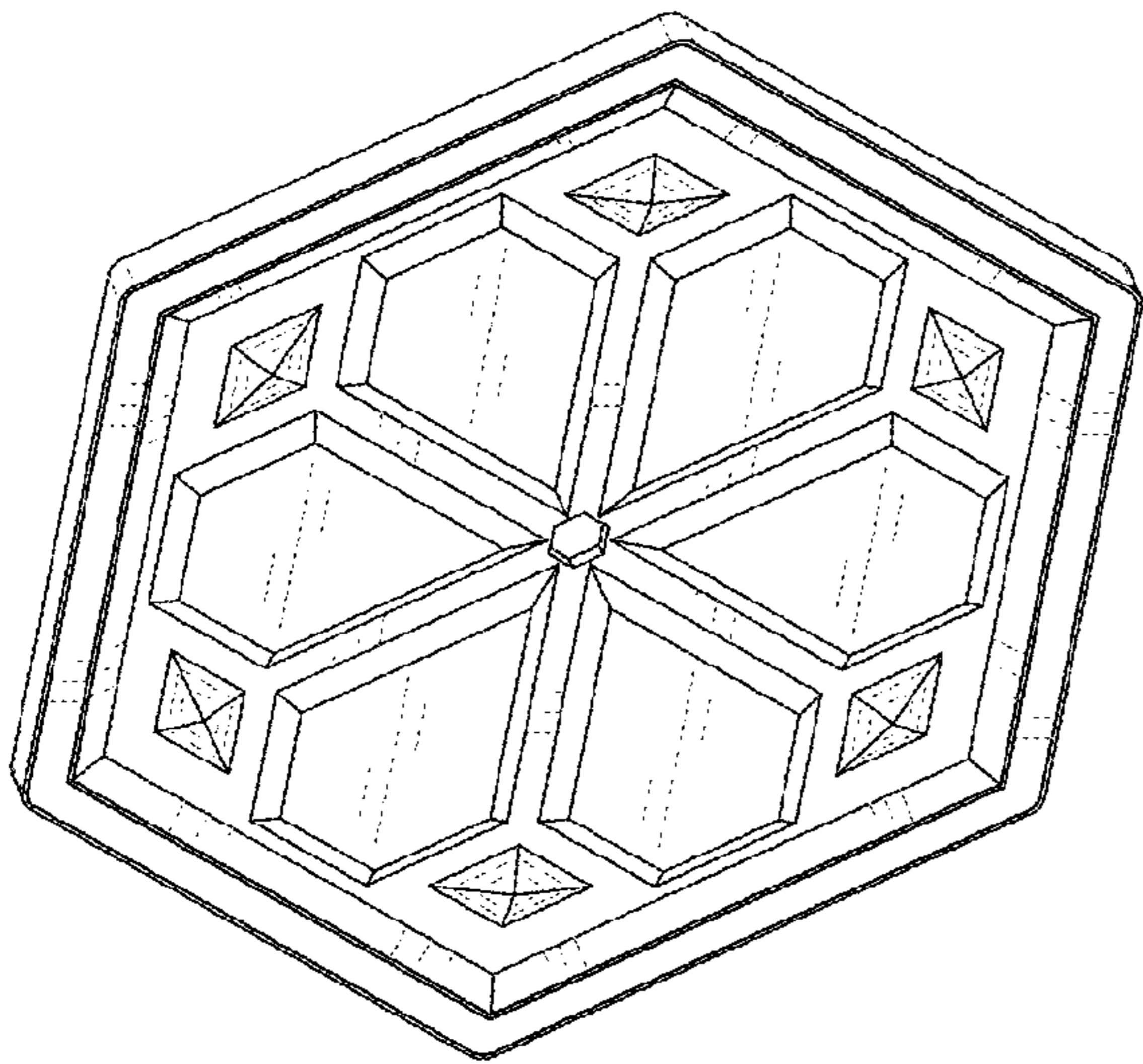
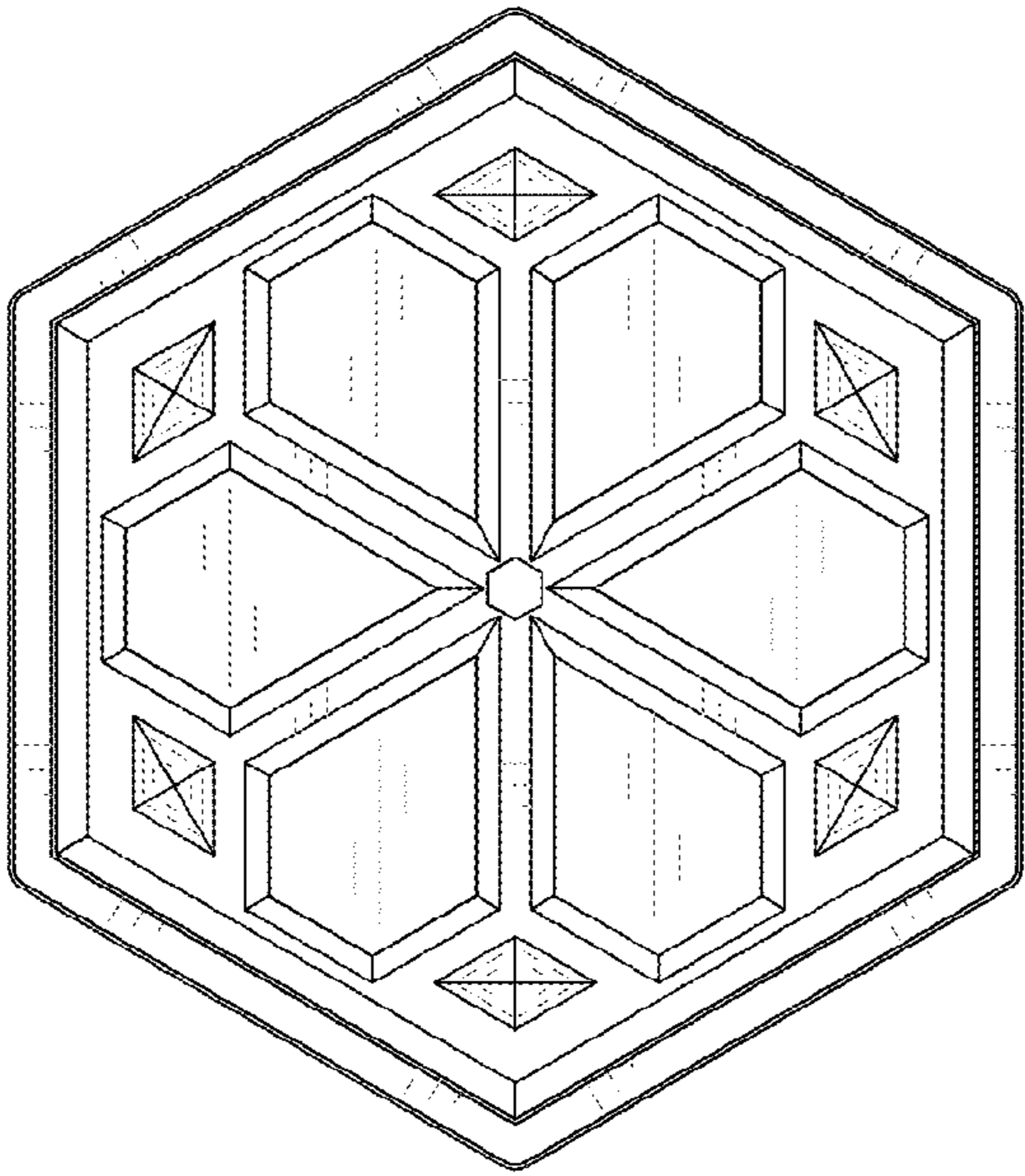
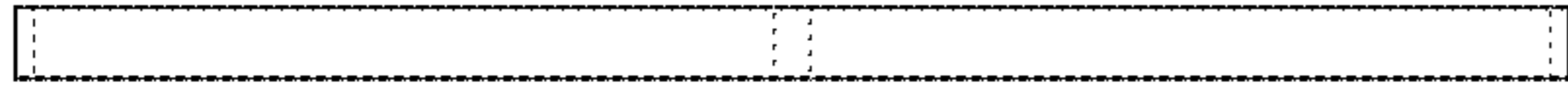


FIG. 73

FIG. 72

FIG. 71

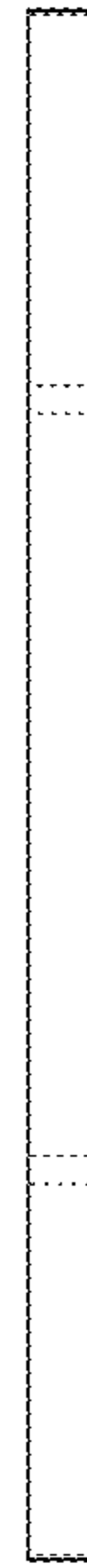


FIG. 74



FIG. 75

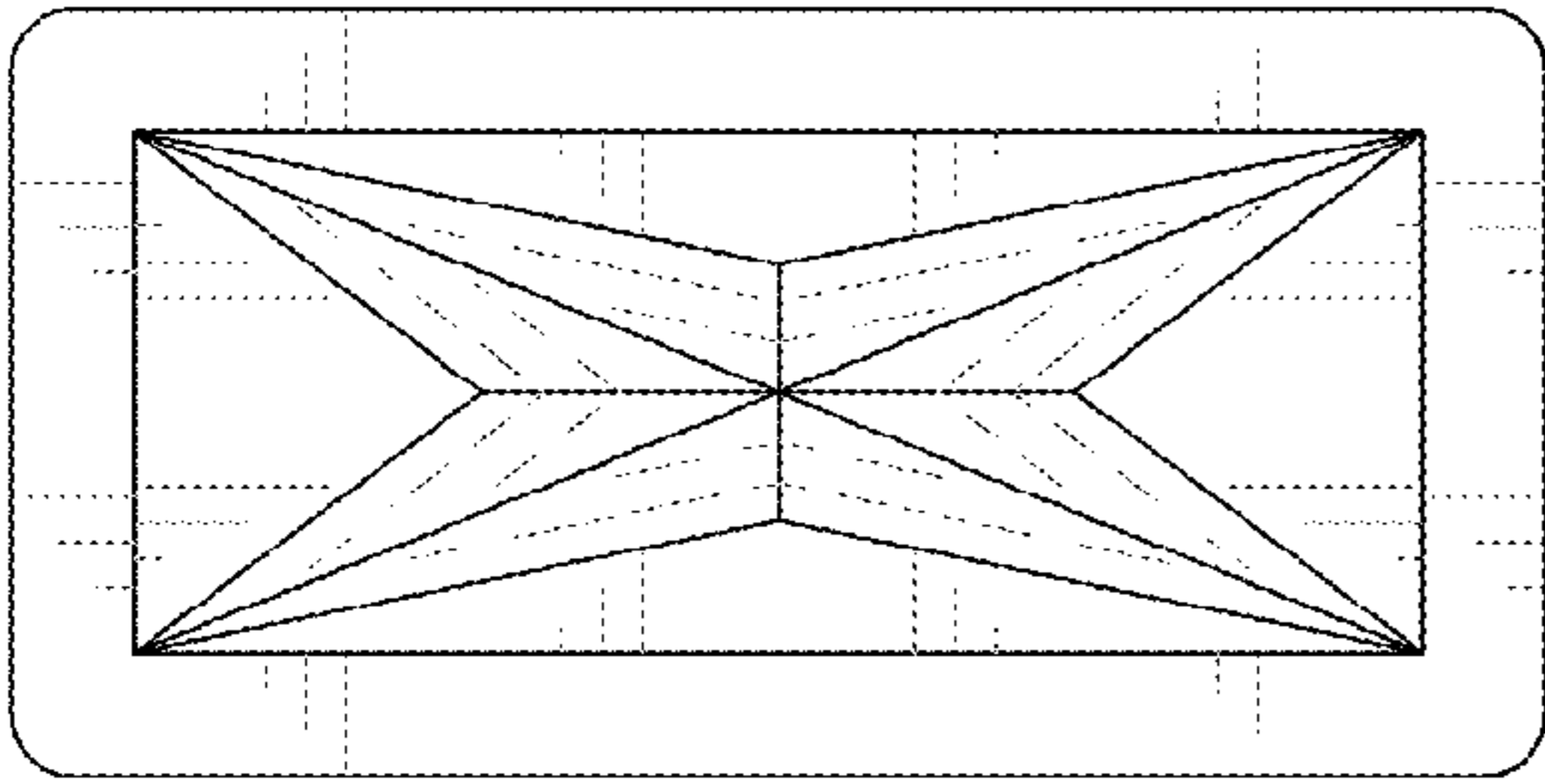


FIG. 76



FIG. 77



FIG. 78

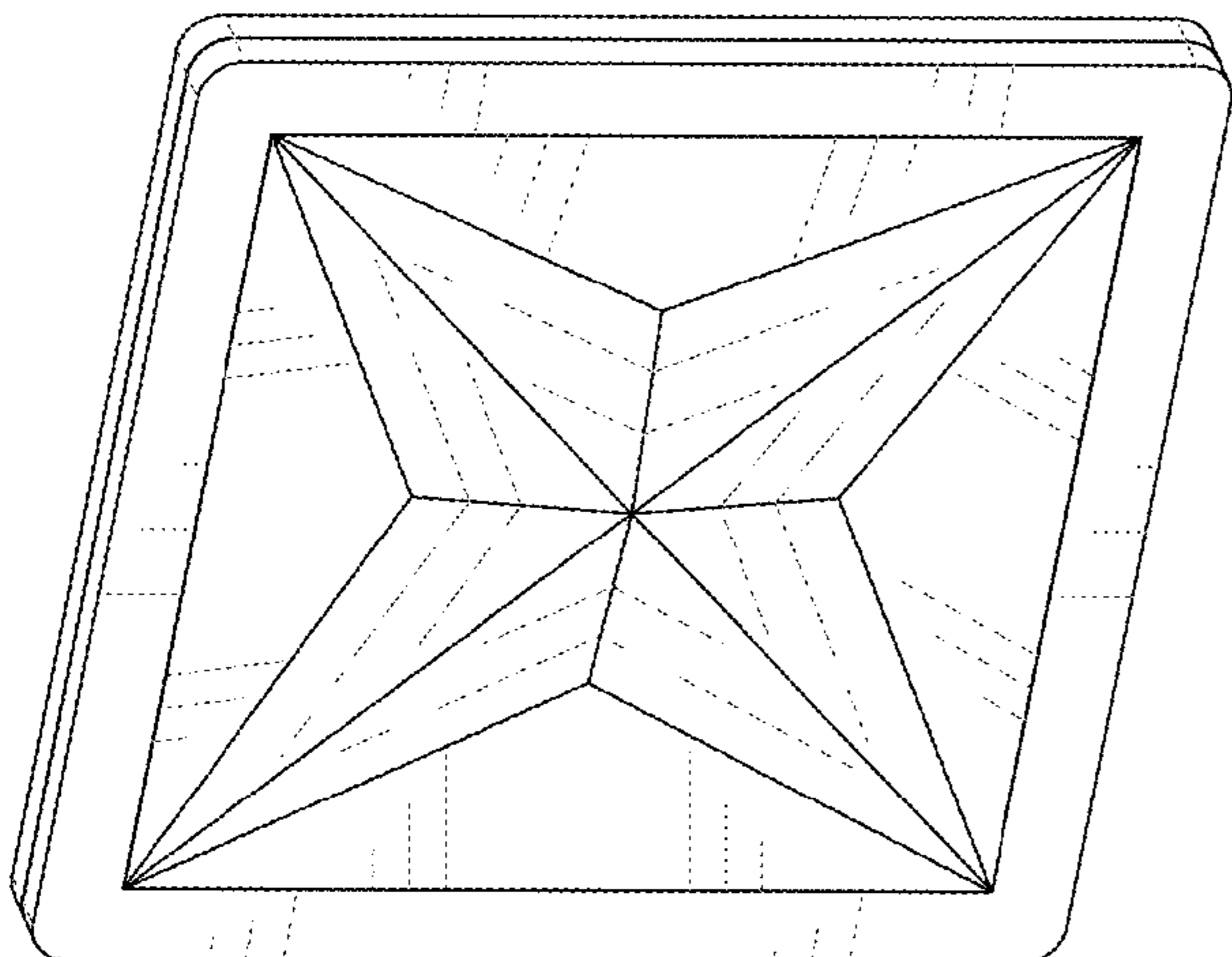


FIG. 79

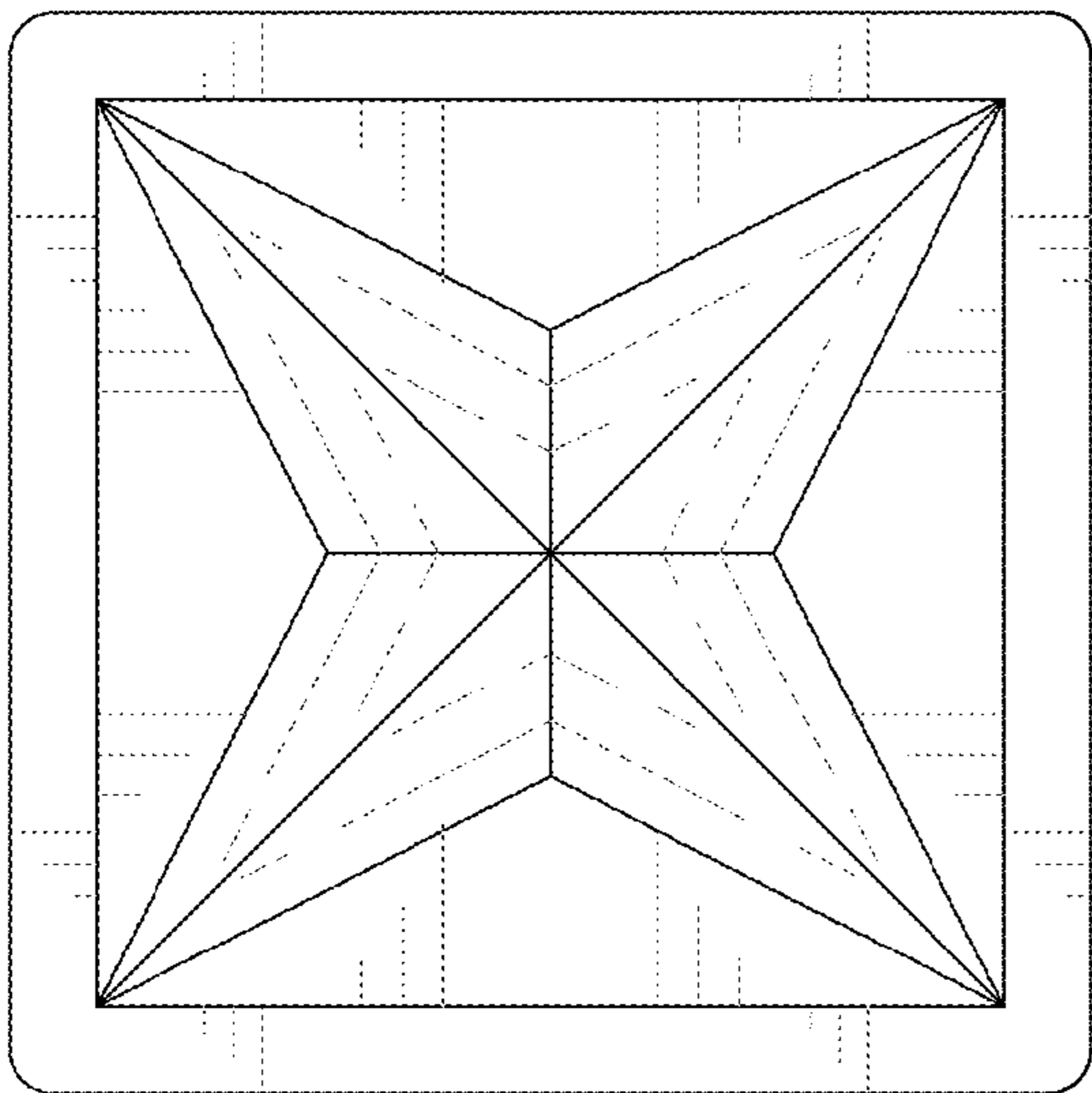


FIG. 80

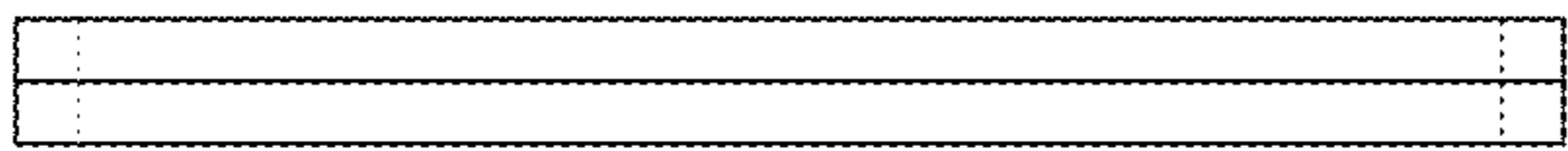


FIG. 81

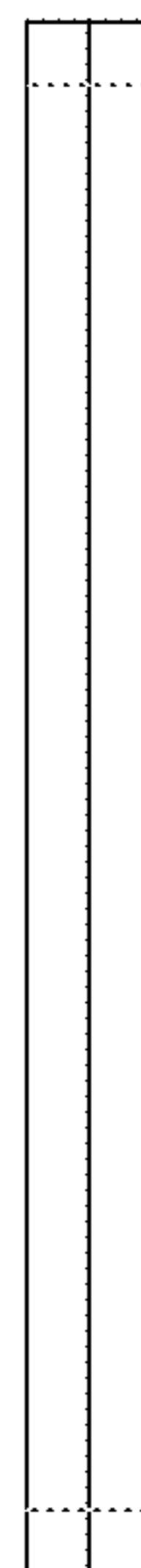


FIG. 82

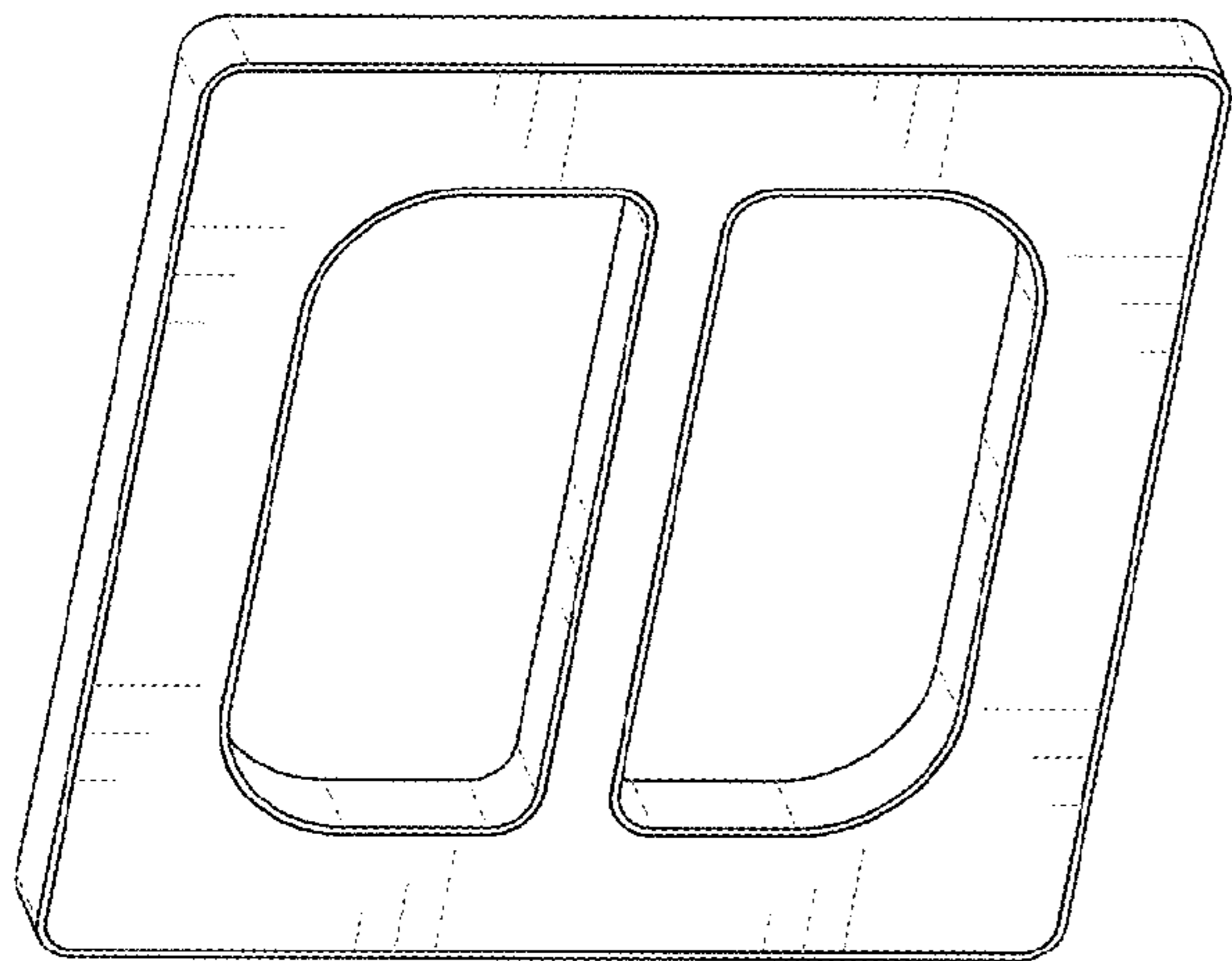


FIG. 83

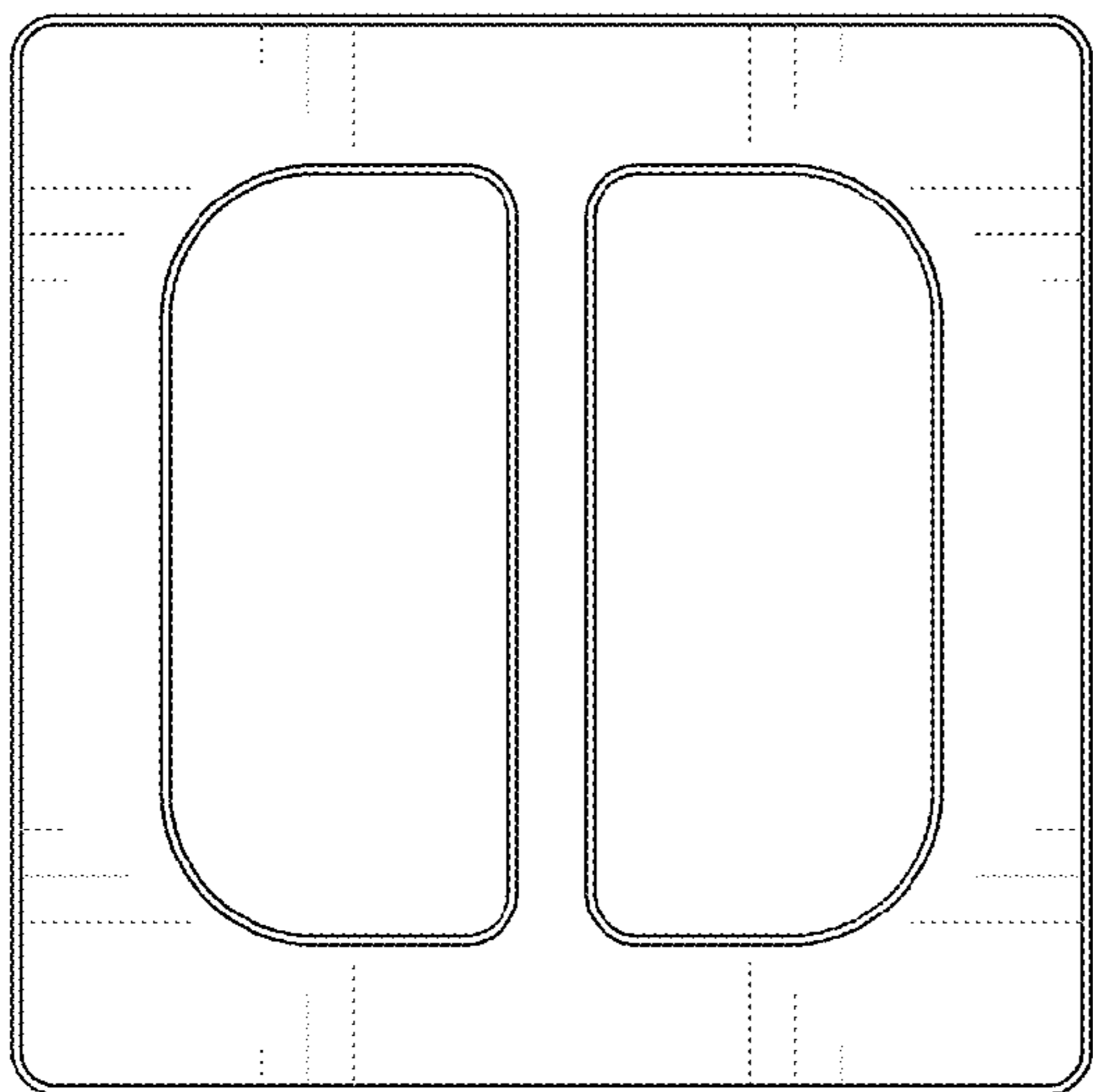


FIG. 84



FIG. 85



FIG. 86

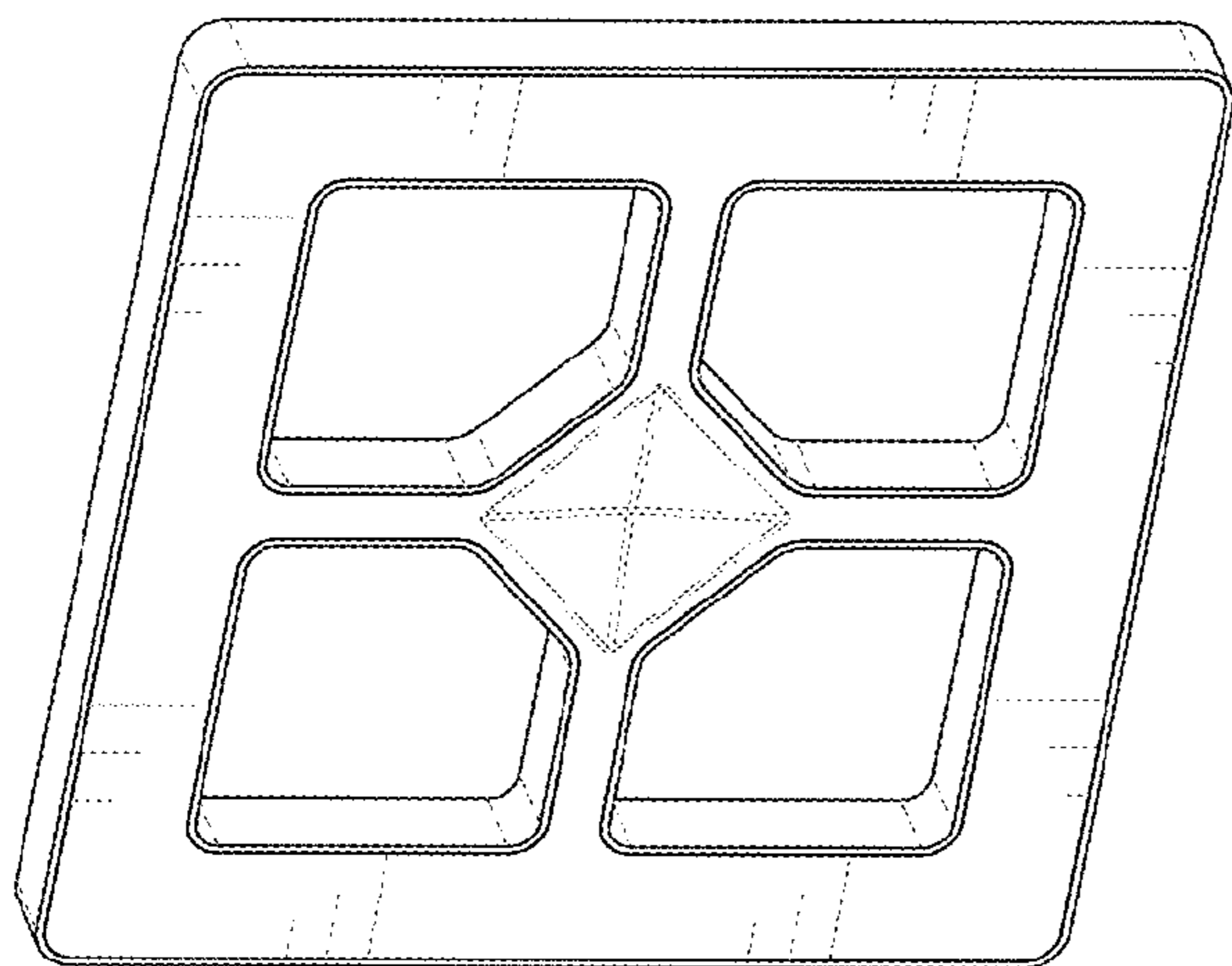


FIG. 87

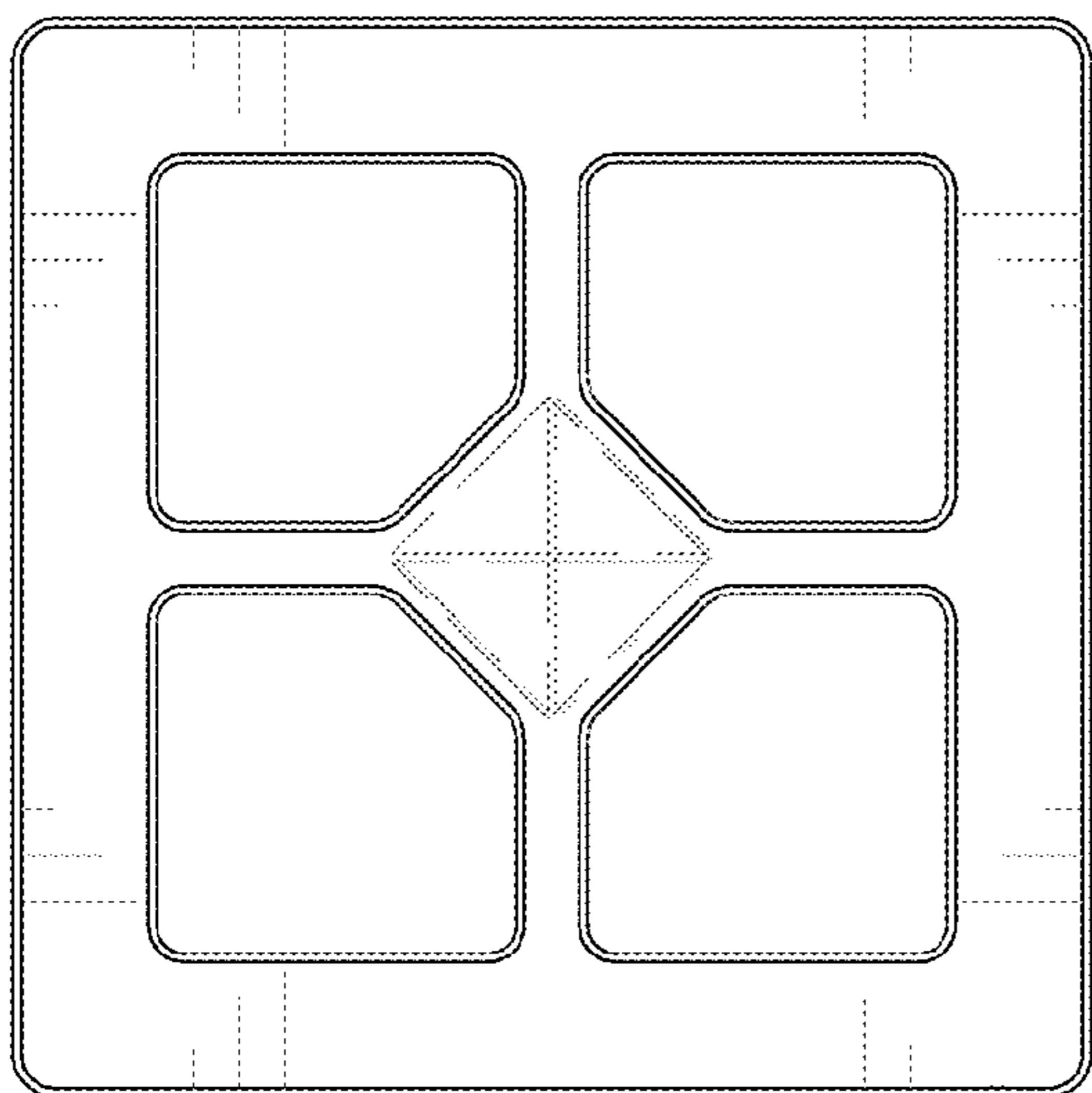


FIG. 88



FIG. 89



FIG. 90

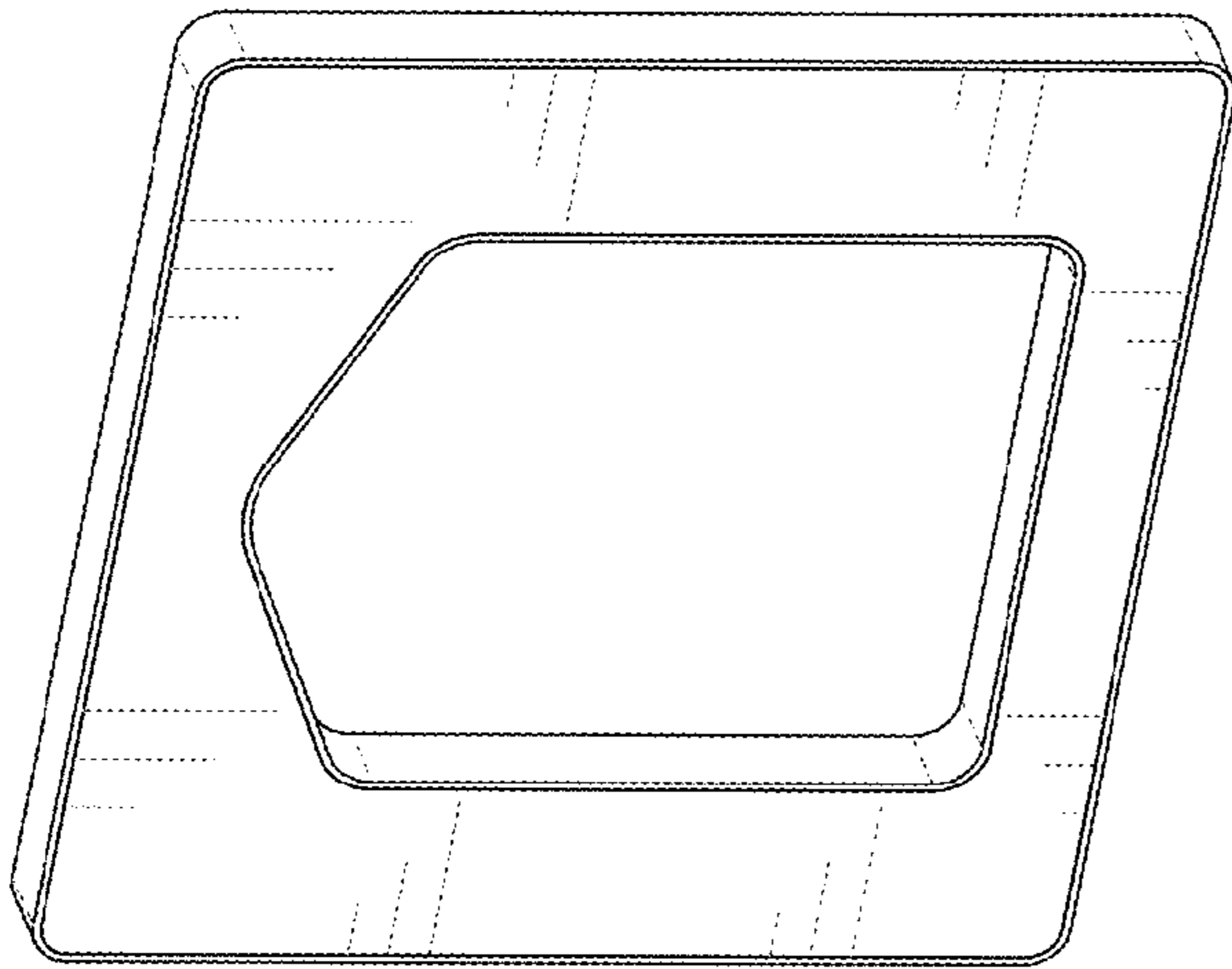


FIG. 91

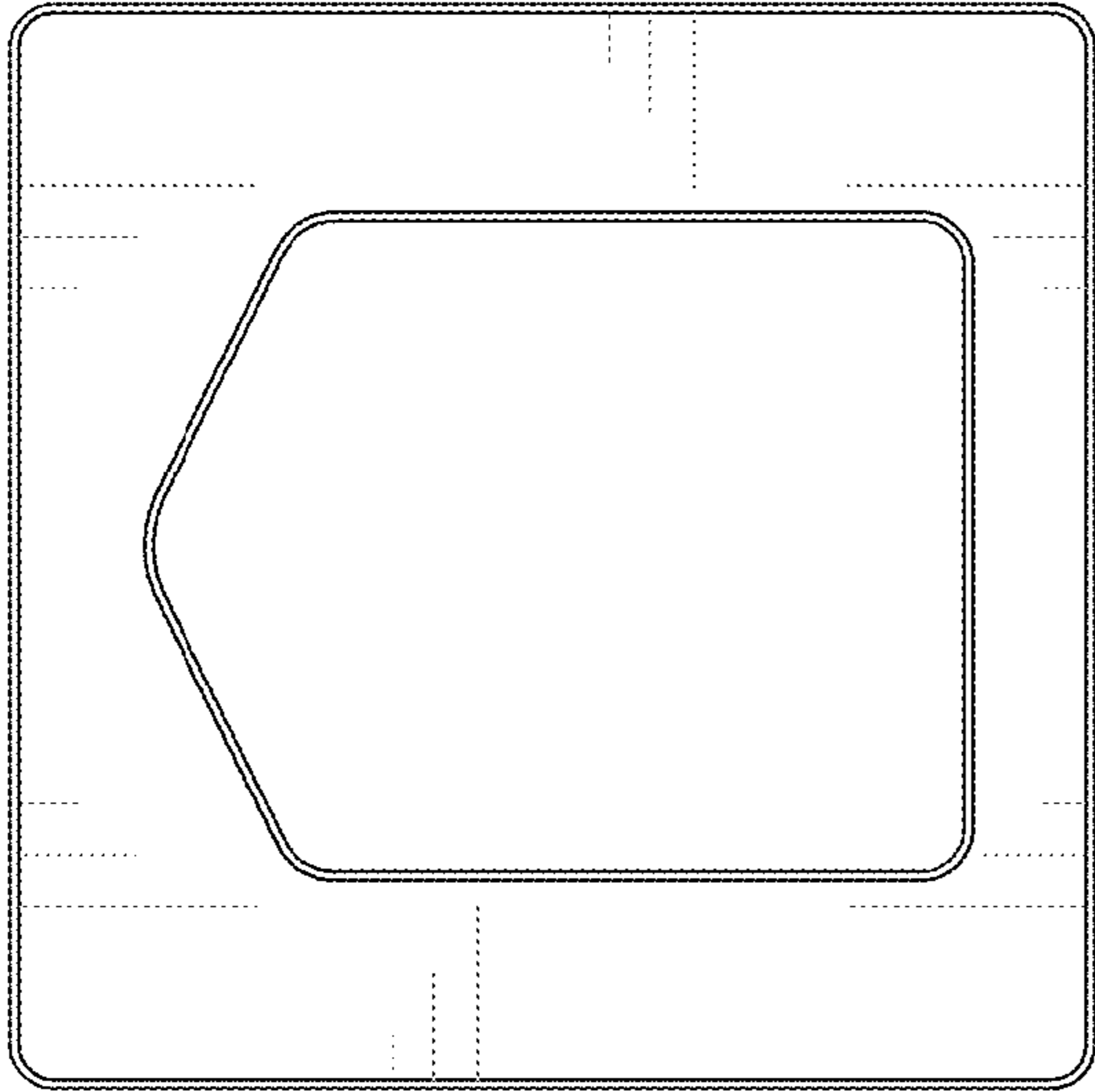


FIG. 92



FIG. 93

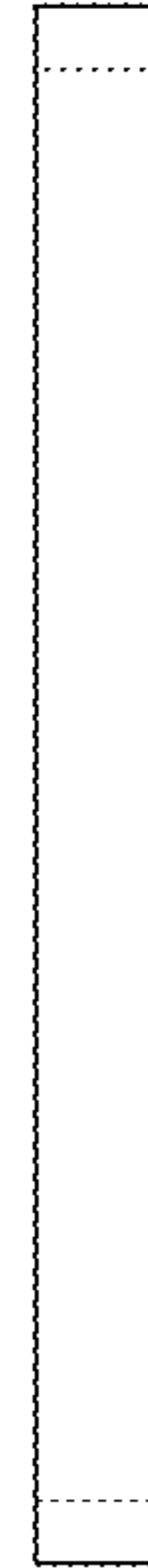


FIG. 94

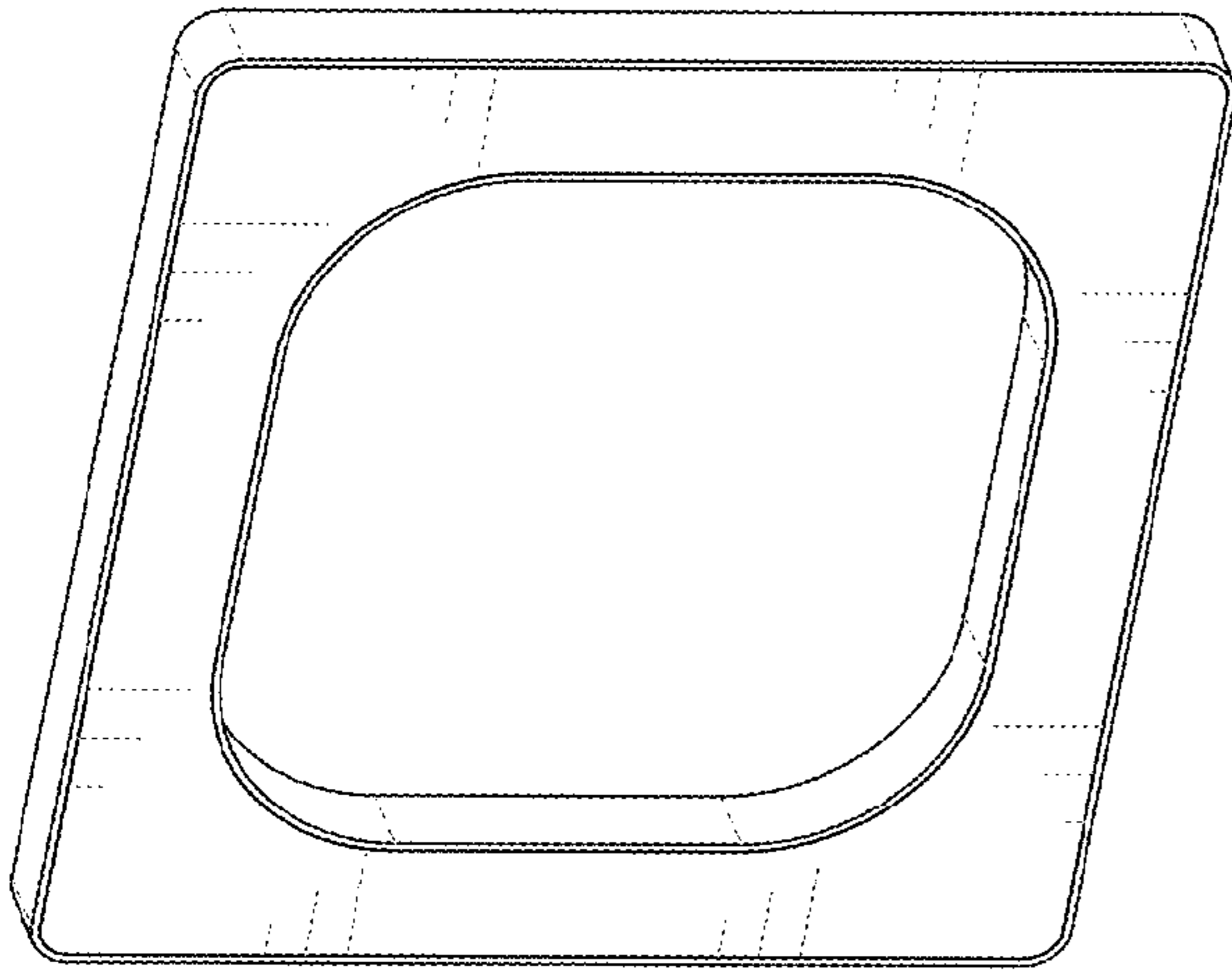


FIG. 95

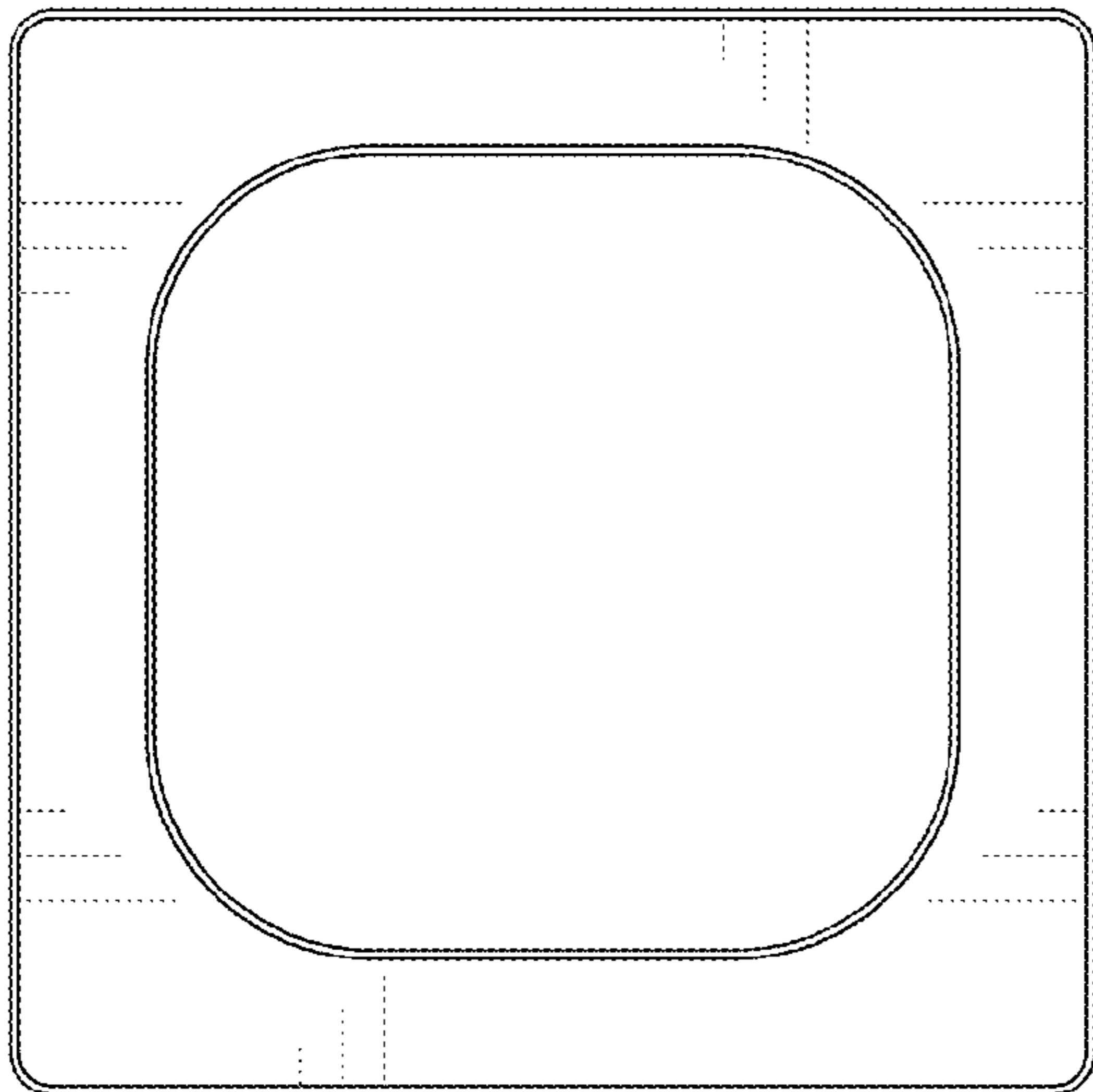


FIG. 96



FIG. 97



FIG. 98