



US00D981495S

(12) **United States Design Patent**
Coleman

(10) **Patent No.:** **US D981,495 S**
(45) **Date of Patent:** **** Mar. 21, 2023**

- (54) **TOY MAGNETIC WHEEL TRACK**
- (71) Applicant: **EXCITE USA**, Addison, TX (US)
- (72) Inventor: **Shane Coleman**, Upper Hutt (NZ)
- (73) Assignee: **Excite USA**, Addison, TX (US)
- (**) Term: **15 Years**
- (21) Appl. No.: **29/793,136**
- (22) Filed: **Jul. 1, 2021**
- (51) **LOC (14) Cl.** **21-01**
- (52) **U.S. Cl.**
USPC **D21/404**; D21/456
- (58) **Field of Classification Search**
USPC D21/404, 374, 456, 464
CPC A63H 18/14; A63H 33/26; A63H 17/14;
A63H 1/00; A63H 11/02; A63H 15/02;
A63H 15/04; A63H 15/06; F21V
23/0442; F21V 33/008; F21Y 2115/10
See application file for complete search history.

D435,607 S * 12/2000 Chesler D21/456
6,638,134 B1 * 10/2003 Hewitt A63F 9/16
273/120 R
7,575,498 B2 * 8/2009 Perry A63H 33/26
273/109

(Continued)

FOREIGN PATENT DOCUMENTS

CN 306731766 * 11/2020

OTHER PUBLICATIONS

Craftmemore, Oval Eyelet Metal Purse Loop Handle, posted Jun. 28, 2021 [online], [retrieved Nov. 17, 2022]. Retrieved from internet, <https://www.amazon.com/CRAFTMEMORE-Screw-Together-Grommets-Connectors/dp/B0866RG4DT?th=1> (Date: Nov. 17, 2022) (Year: 2021).*

Primary Examiner — Katherine A Holbrow
Assistant Examiner — Riya Salil Kamat
(74) *Attorney, Agent, or Firm* — Jonathan E. Grant; Grant Patent Service

(57) **CLAIM**

The ornamental design for a toy magnetic wheel track, as shown and described.

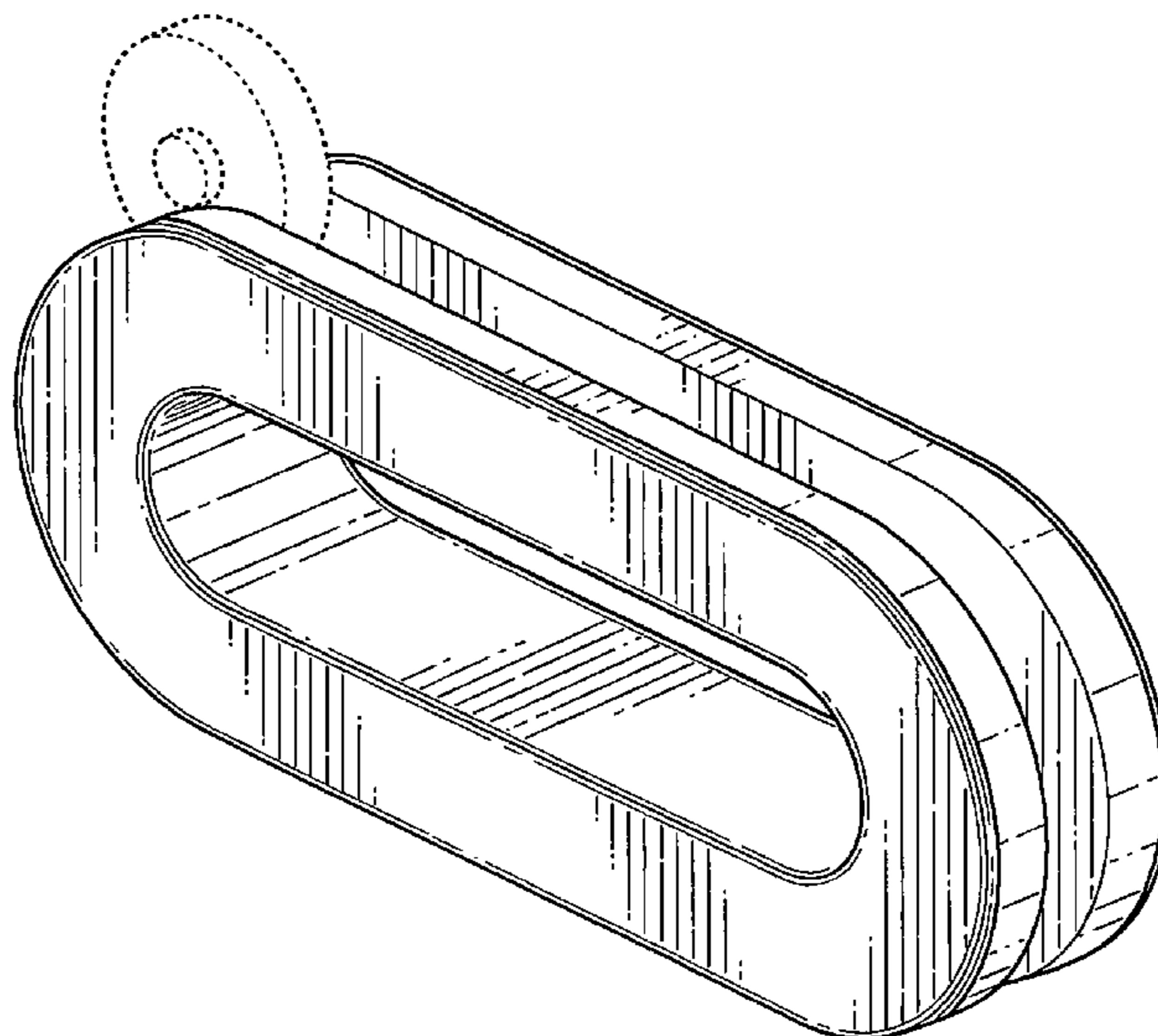
DESCRIPTION

FIG. 1 is a front perspective view of a toy magnetic wheel track, where the rear perspective view is a mirror image thereof;
FIG. 2 is a front view thereof;
FIG. 3 is a rear view thereof;
FIG. 4 is a first side-view thereof;
FIG. 5 is a second side-view thereof;
FIG. 6 is a top view thereof; and,
FIG. 7 is a bottom view thereof.
The broken lines illustrate portions of the toy magnetic wheel track that form no part of the claimed design.

1 Claim, 4 Drawing Sheets

(56) **References Cited**
U.S. PATENT DOCUMENTS

- 1,005,853 A * 10/1911 Lewis A63H 33/26
446/132
- 1,154,346 A * 9/1915 Speyer A63F 7/044
273/115
- 2,198,075 A * 4/1940 Borek A63B 67/08
D21/456
- D187,101 S * 1/1960 Gomer D21/456
- D221,455 S * 8/1971 Swanberg D21/456
- 3,986,296 A * 10/1976 Hamano A63F 9/14
463/68
- 4,227,342 A * 10/1980 Knowles A63H 33/26
273/DIG. 26
- 4,531,923 A * 7/1985 Lohr A63H 33/26
273/109
- D290,857 S * 7/1987 Lohr D21/464
- 4,795,154 A * 1/1989 Lahr A63H 18/08
238/10 F



(56)

References Cited

U.S. PATENT DOCUMENTS

2006/0217029 A1* 9/2006 Perry A63H 33/26
446/256
2018/0050277 A1* 2/2018 Vargas A63H 17/14

* cited by examiner

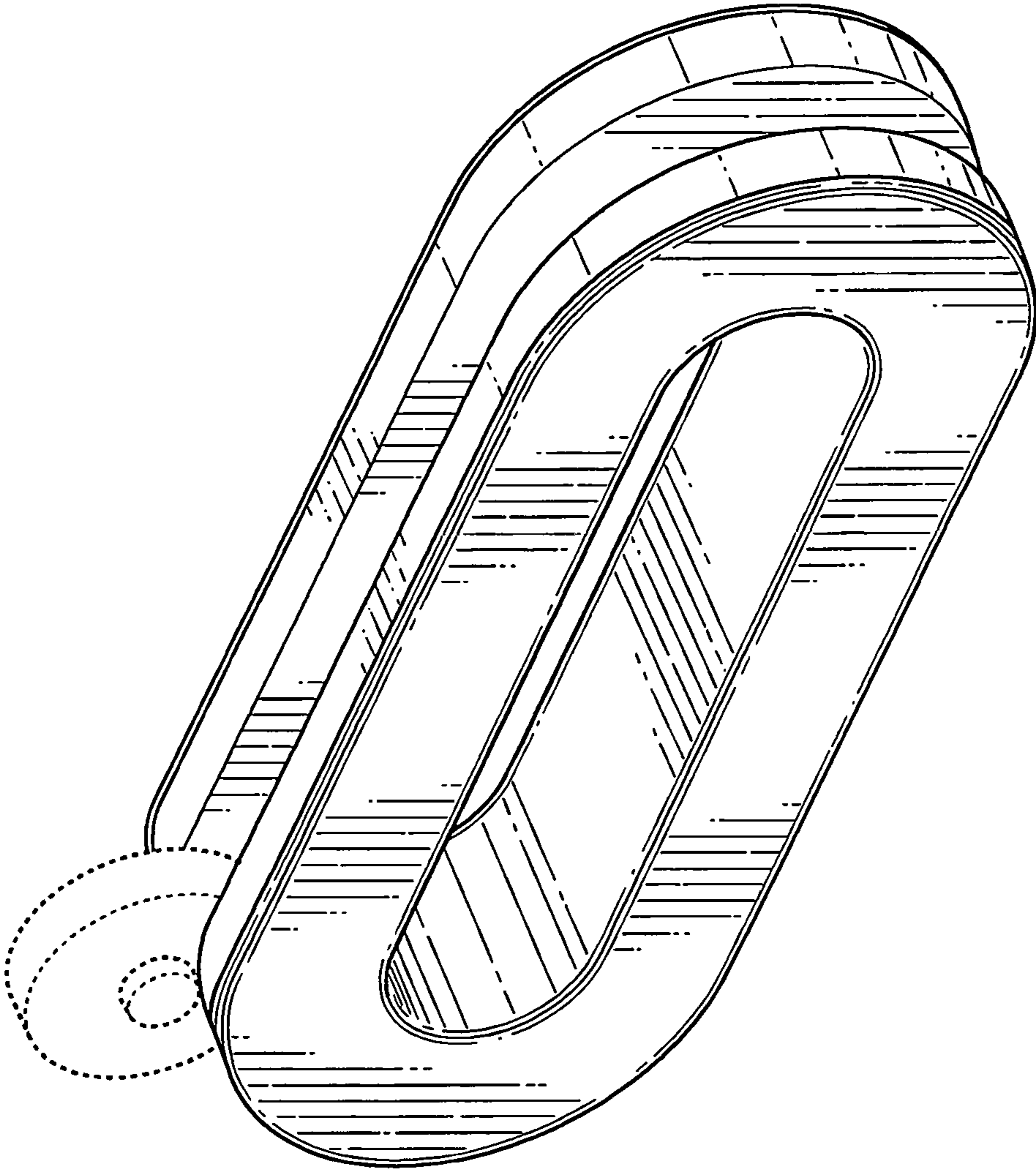


FIG. 1

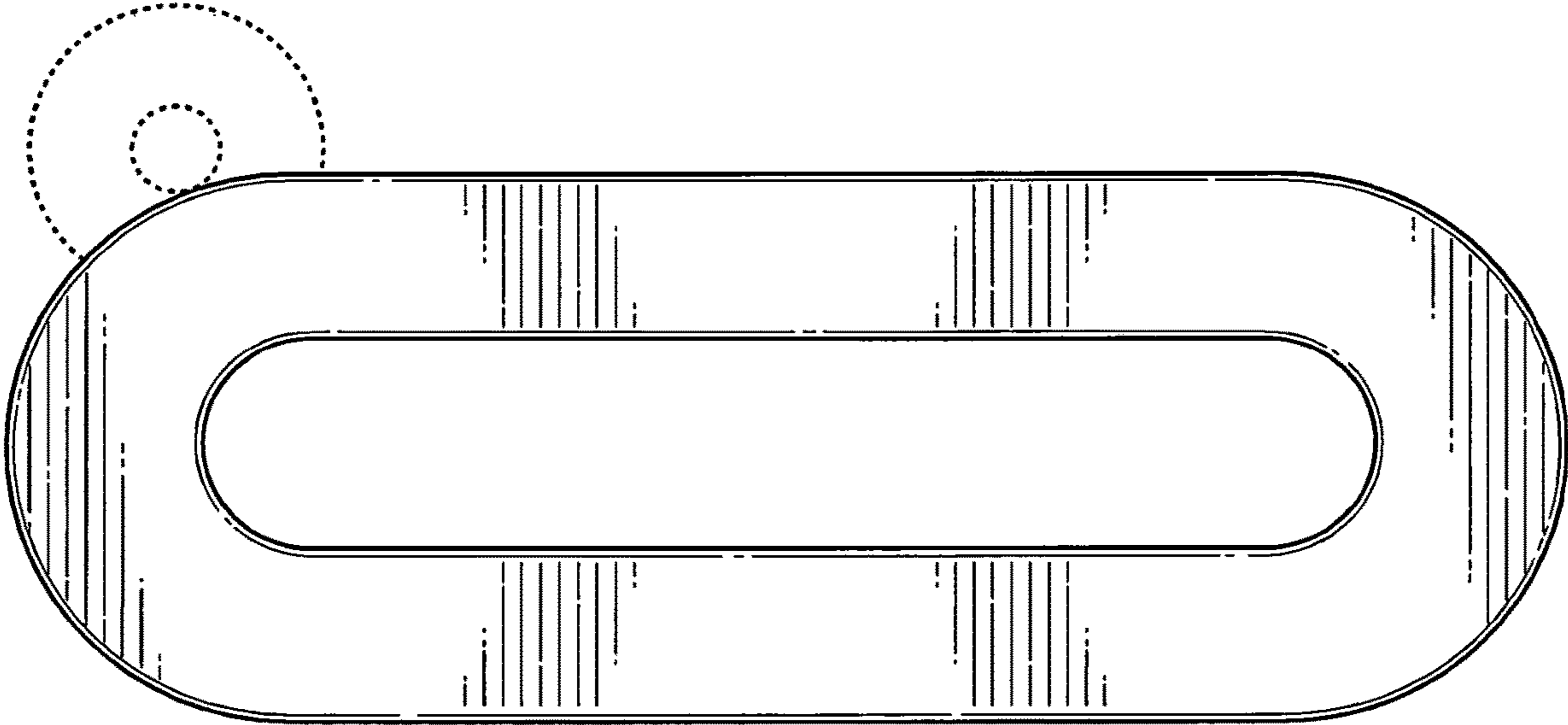


FIG. 2

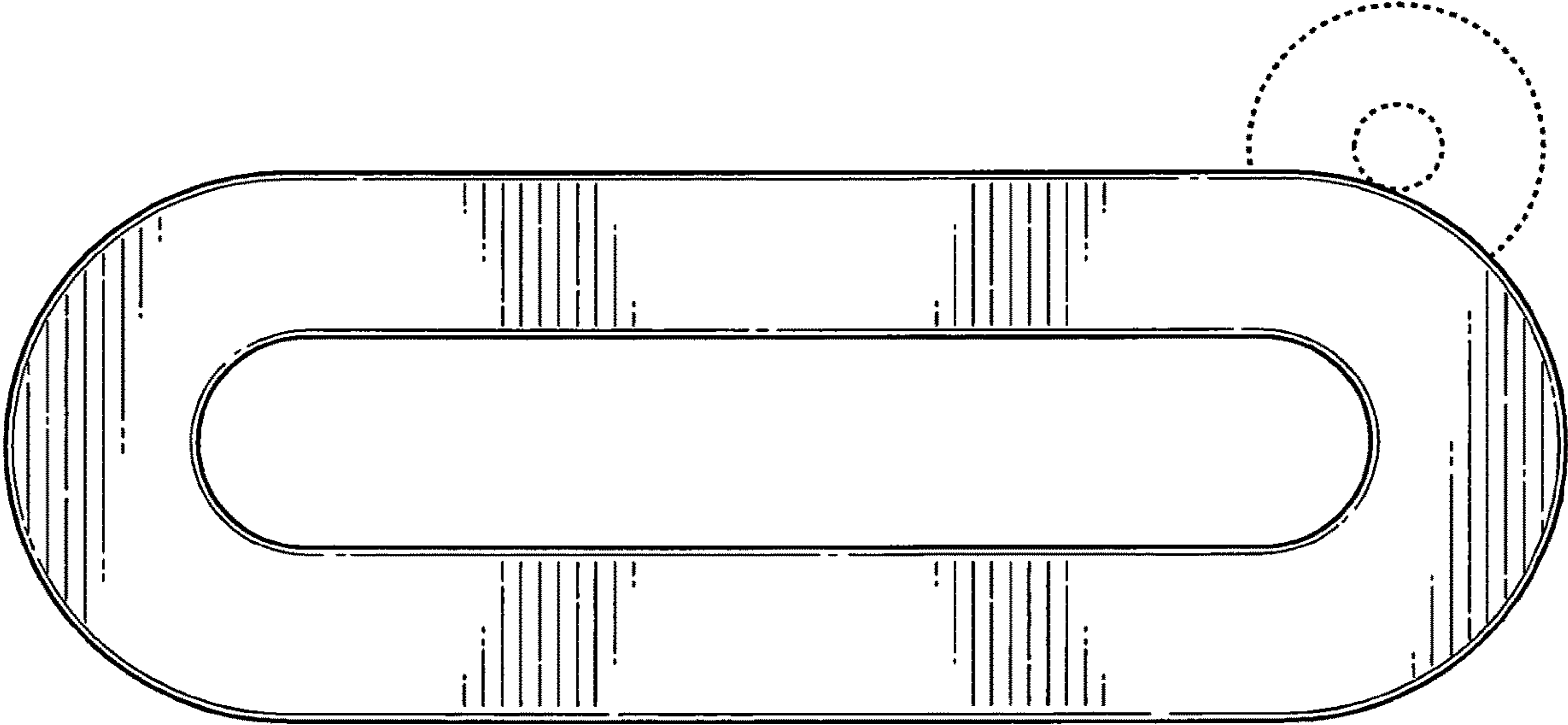


FIG. 3

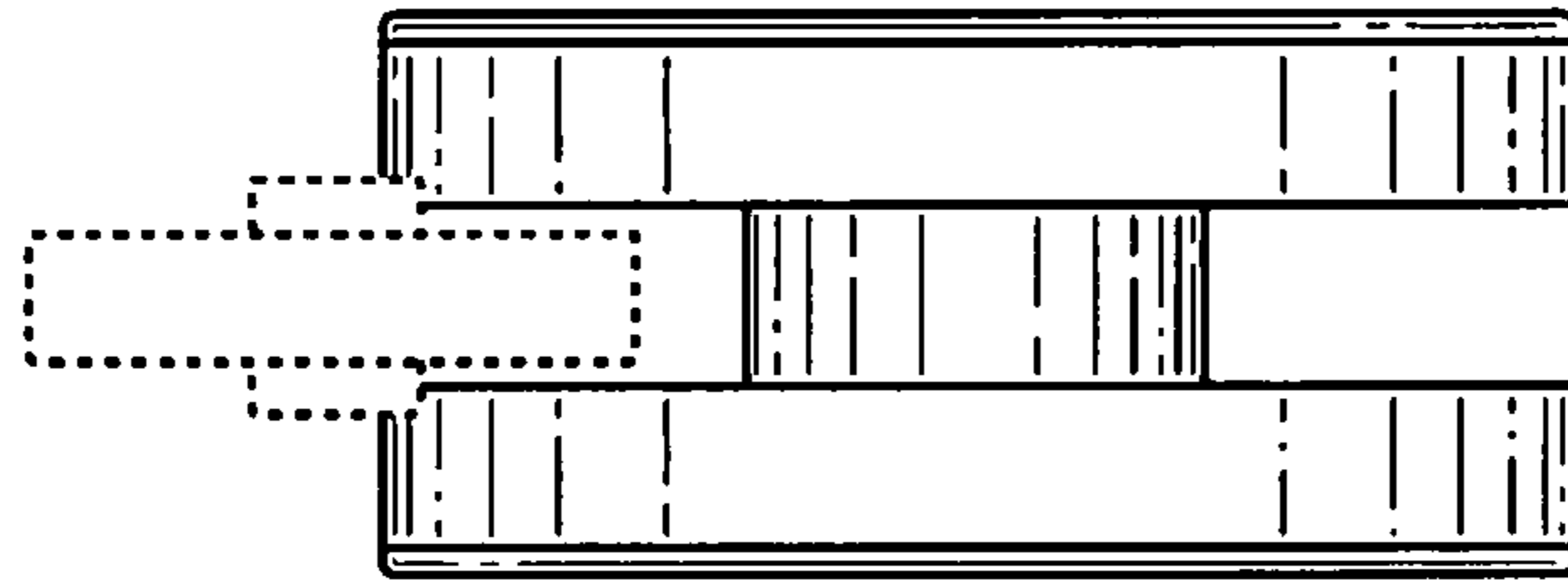


FIG. 5

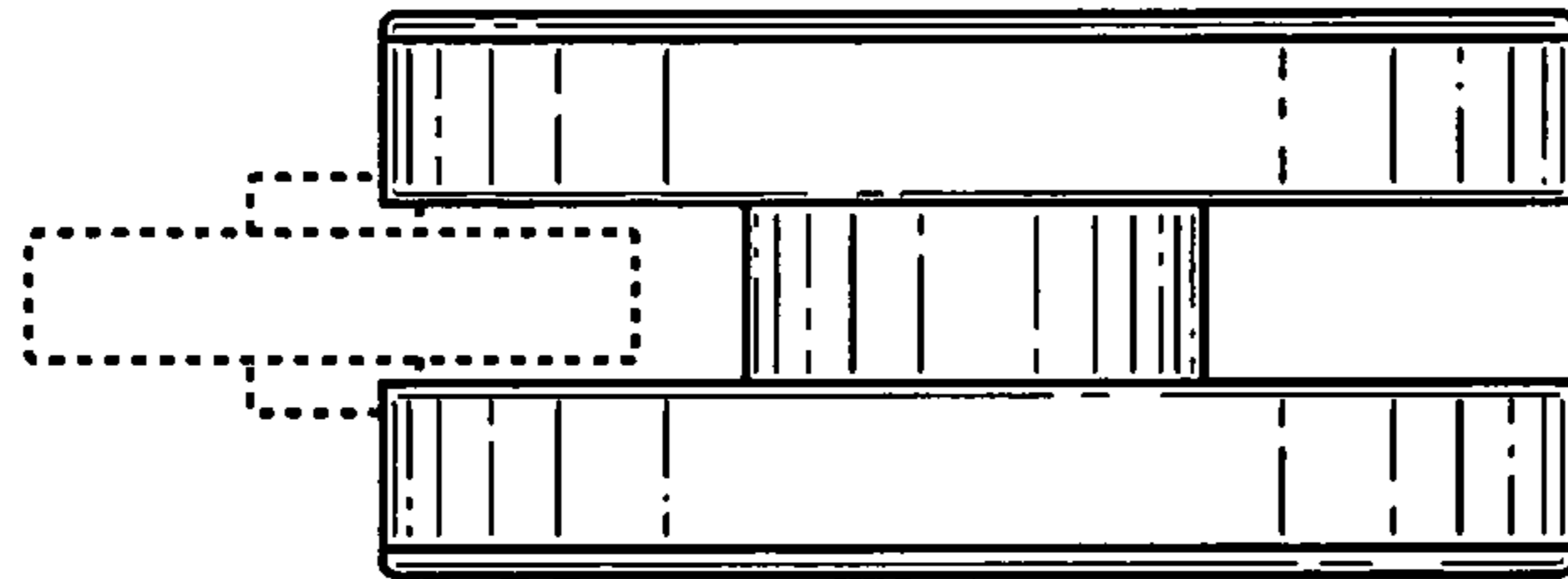


FIG. 4

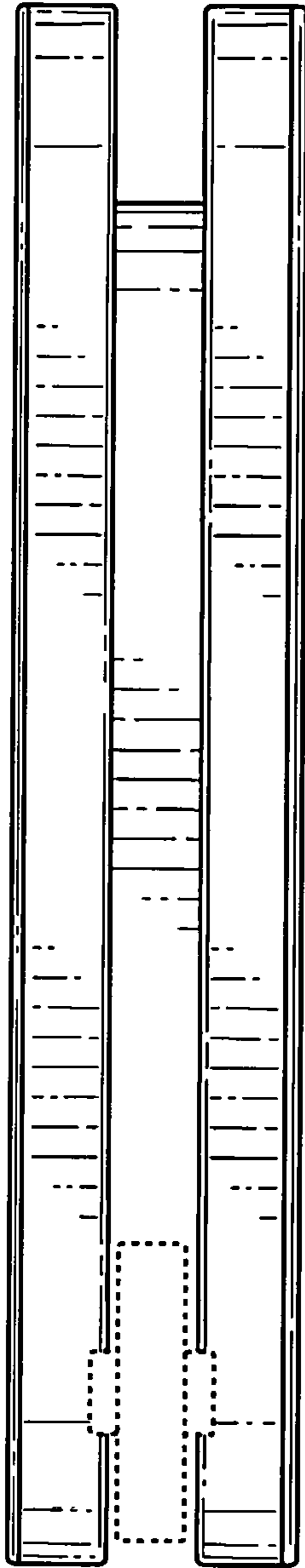


FIG. 6

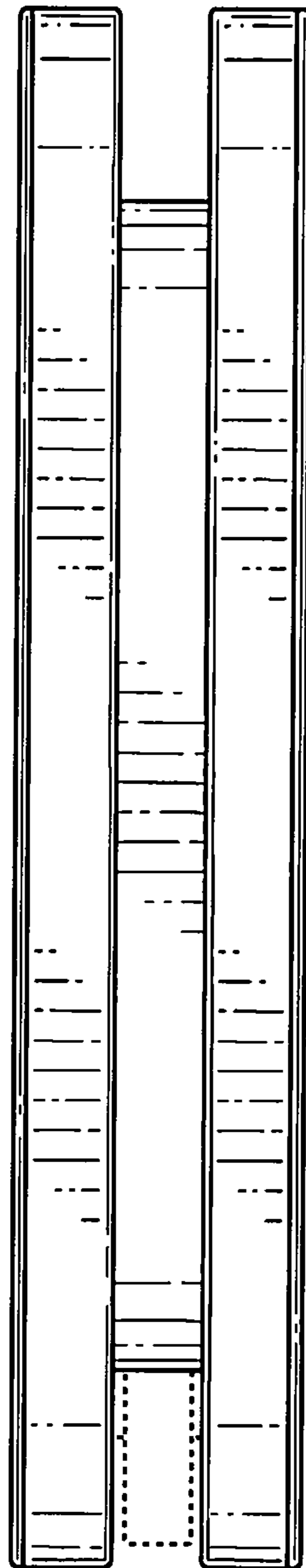


FIG. 7