



US00D981494S

(12) **United States Design Patent**
Jackermeier

(10) **Patent No.:** **US D981,494 S**
(45) **Date of Patent:** **** Mar. 21, 2023**

(54) **STEERING WHEEL FOR GAME SYSTEMS**

(71) Applicant: **Endor AG**, Landshut (DE)

(72) Inventor: **Thomas Jackermeier**, Landshut (DE)

(**) Term: **15 Years**

(21) Appl. No.: **35/512,500**

(22) Filed: **Mar. 3, 2021**

(80) **Hague Agreement Data**

Int. Filing Date: **Mar. 3, 2021**

Int. Reg. No.: **DM/216056**

Int. Reg. Date: **Mar. 3, 2021**

Int. Reg. Pub. Date: **Sep. 3, 2021**

(30) **Foreign Application Priority Data**

Sep. 4, 2020 (EM) 008160972

(51) **LOC (14) Cl.** **21-01**

(52) **U.S. Cl.**
USPC **D21/333; D12/175**

(58) **Field of Classification Search**
USPC D21/324, 333; D14/384, 385, 388, 389,
D14/390, 412, 413, 414, 415, 416, 417,
D14/454, 455; D12/175, 176, 177
CPC A63F 13/20; A63F 13/24; A63F 13/98;
A63F 13/245

See application file for complete search history.

(56) **References Cited**

U.S. PATENT DOCUMENTS

D427,600 S * 7/2000 Probstel D14/414
D641,797 S * 7/2011 Chen D21/333
D708,675 S * 7/2014 Delrue D21/333
D737,184 S * 8/2015 Oosuda D12/175

D769,781 S * 10/2016 Allison D12/175
D776,023 S * 1/2017 Allison D12/175
D813,123 S * 3/2018 Allison D12/175
D839,802 S * 2/2019 Hilton D12/175
D850,336 S * 6/2019 Mariotti D12/175
D867,237 S * 11/2019 Resta D12/175
D867,238 S * 11/2019 Mariotti D12/175
D893,369 S * 8/2020 Kafantaris D12/175
D909,004 S * 1/2021 Brendel D21/333
D911,447 S * 2/2021 Conrad D21/333
D918,106 S * 5/2021 Mignot D12/176
D954,840 S * 6/2022 Jackermeier D21/333
D954,841 S * 6/2022 Conrad D21/333
D955,489 S * 6/2022 Conrad D21/333

* cited by examiner

Primary Examiner — Mehri F Bajoul

(57) **CLAIM**

The ornamental design for a steering wheel for game systems, as shown and described.

DESCRIPTION

The patent or application file contains at least one drawing executed in color. Copies of this patent or patent application publication with color drawing(s) will be provided by the Office upon request and payment of the necessary fee.

1. Steering wheel for game systems

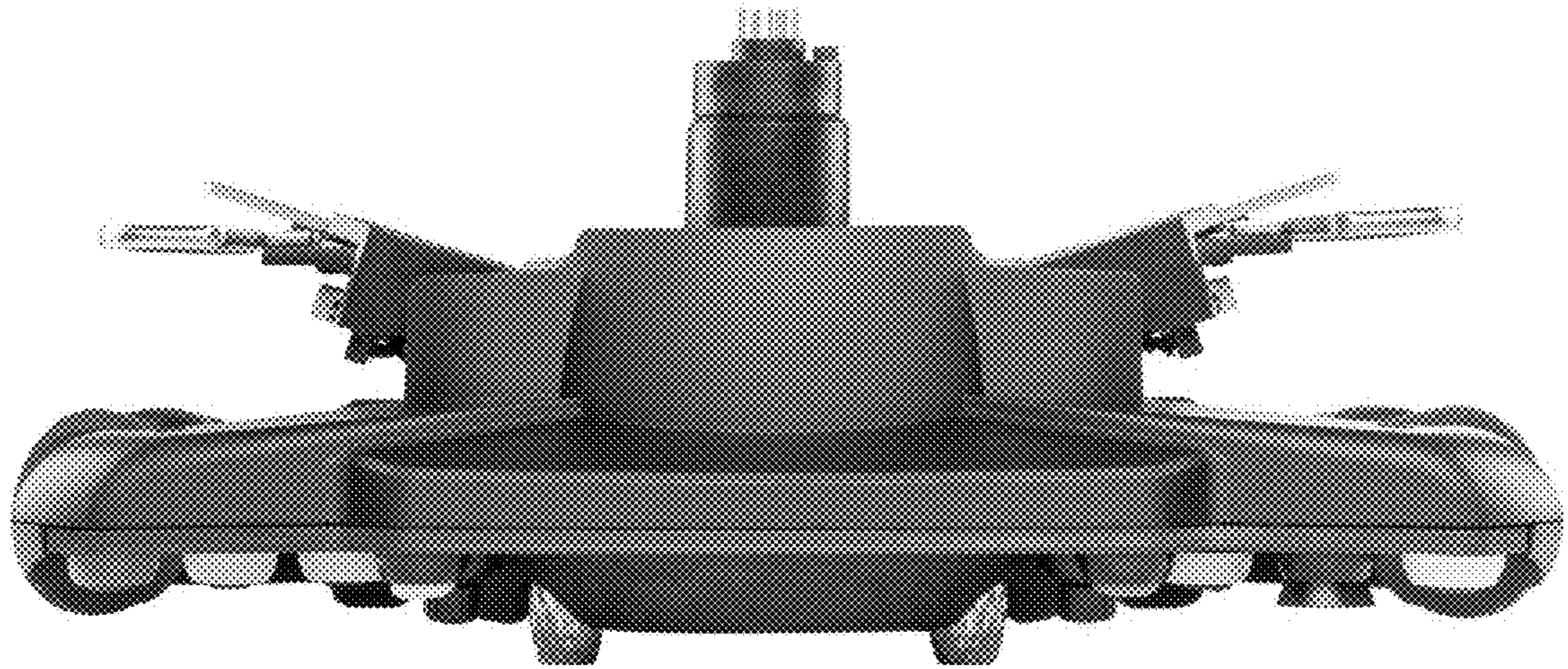
- 1.1 : Top
- 1.2 : Right
- 1.3 : Left
- 1.4 : Front
- 1.5 : Perspective
- 1.6 : Bottom
- 1.7 : Back

The reflections on the reproductions are due to the material the claimed product is made of.

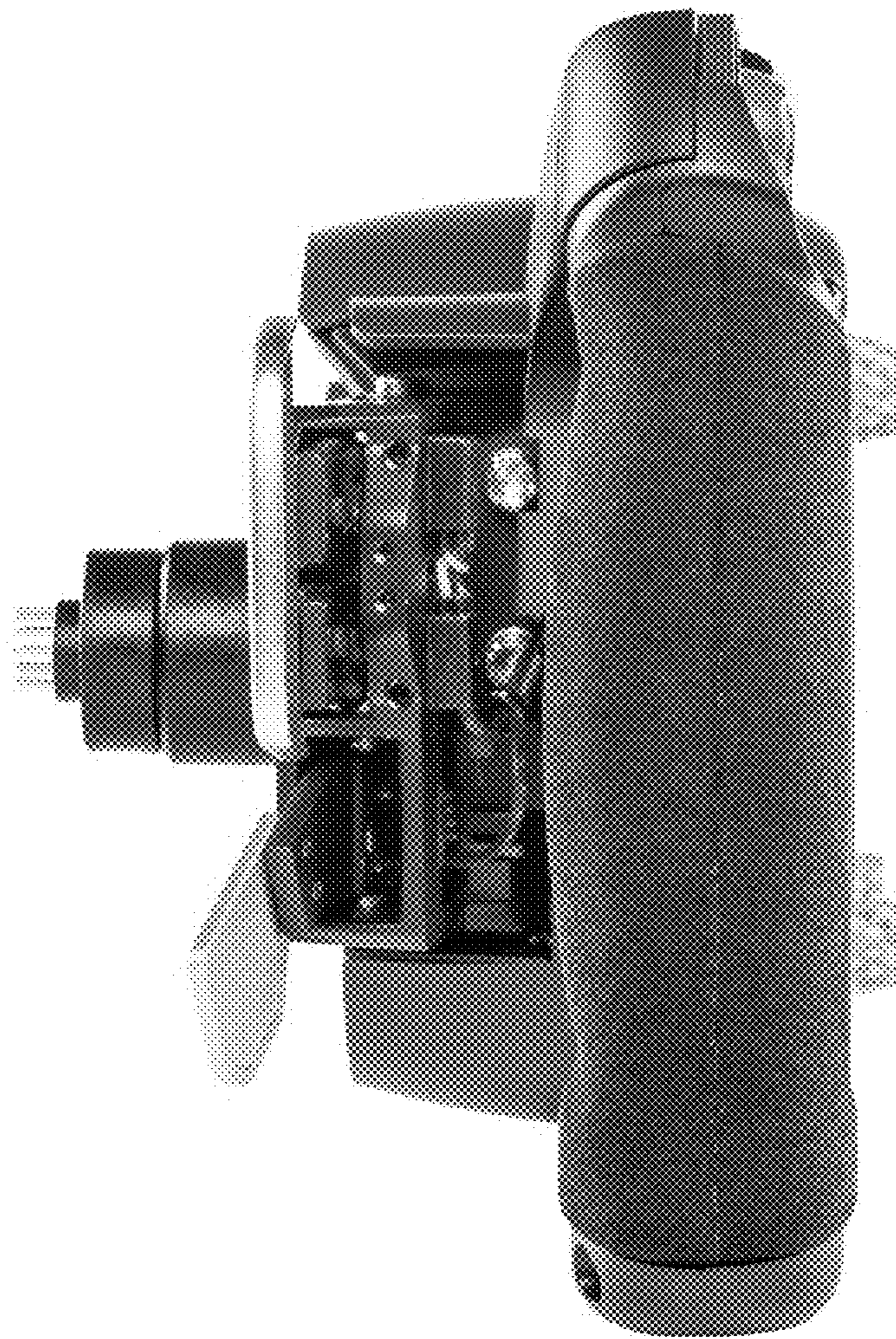
1 Claim, 7 Drawing Sheets
(7 of 7 Drawing Sheet(s) Filed in Color)



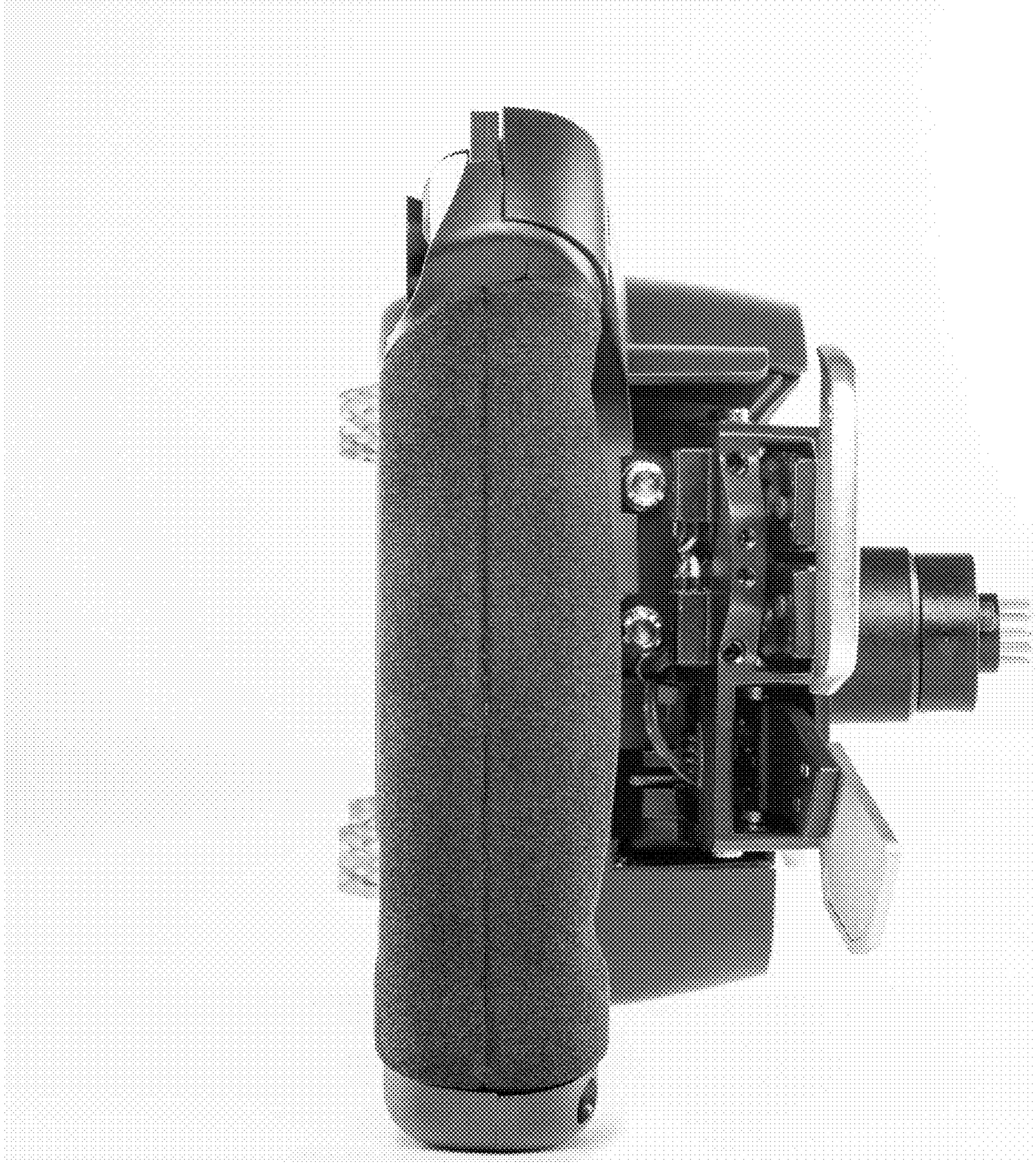
1.1



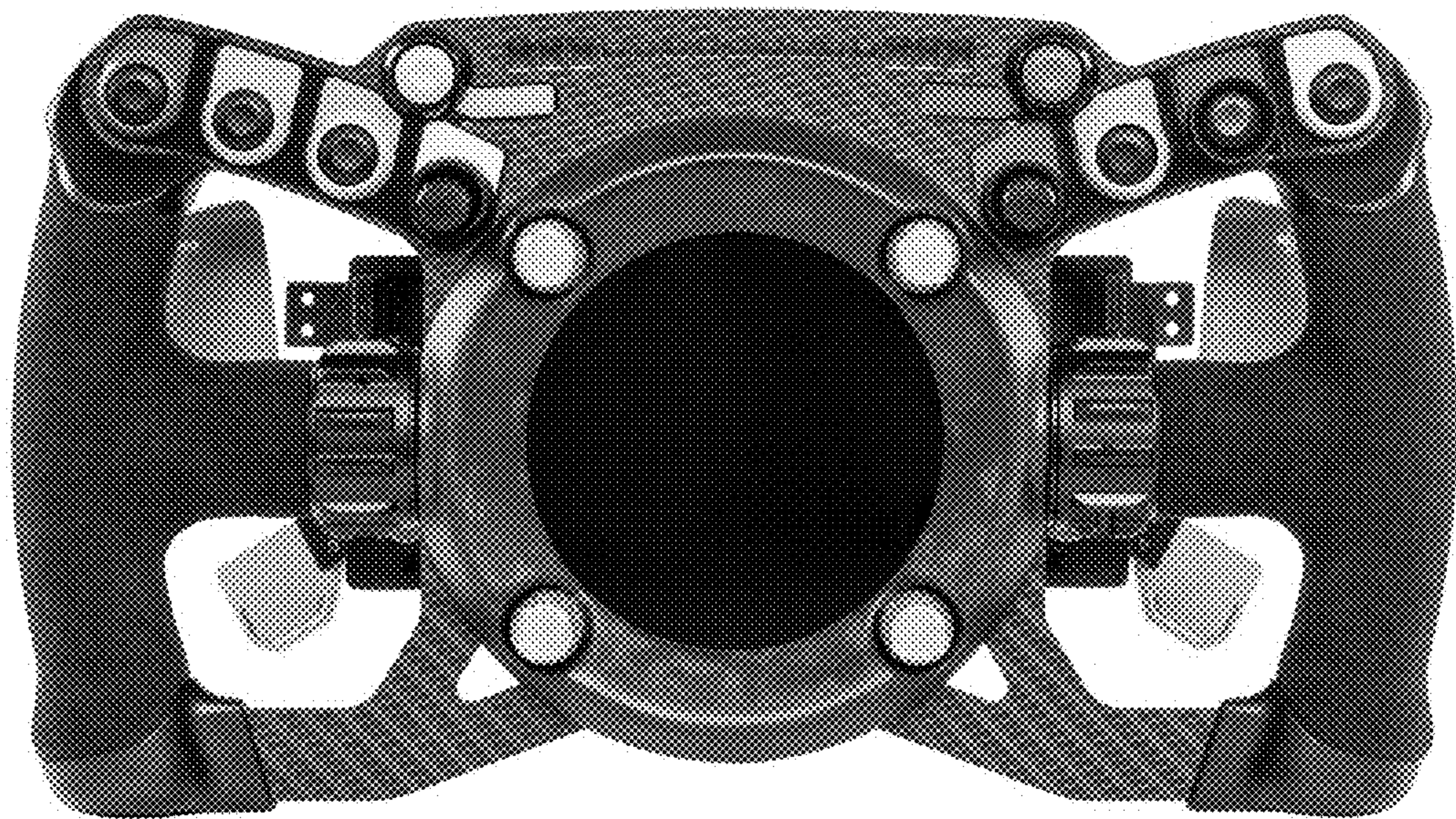
1.2



1.3



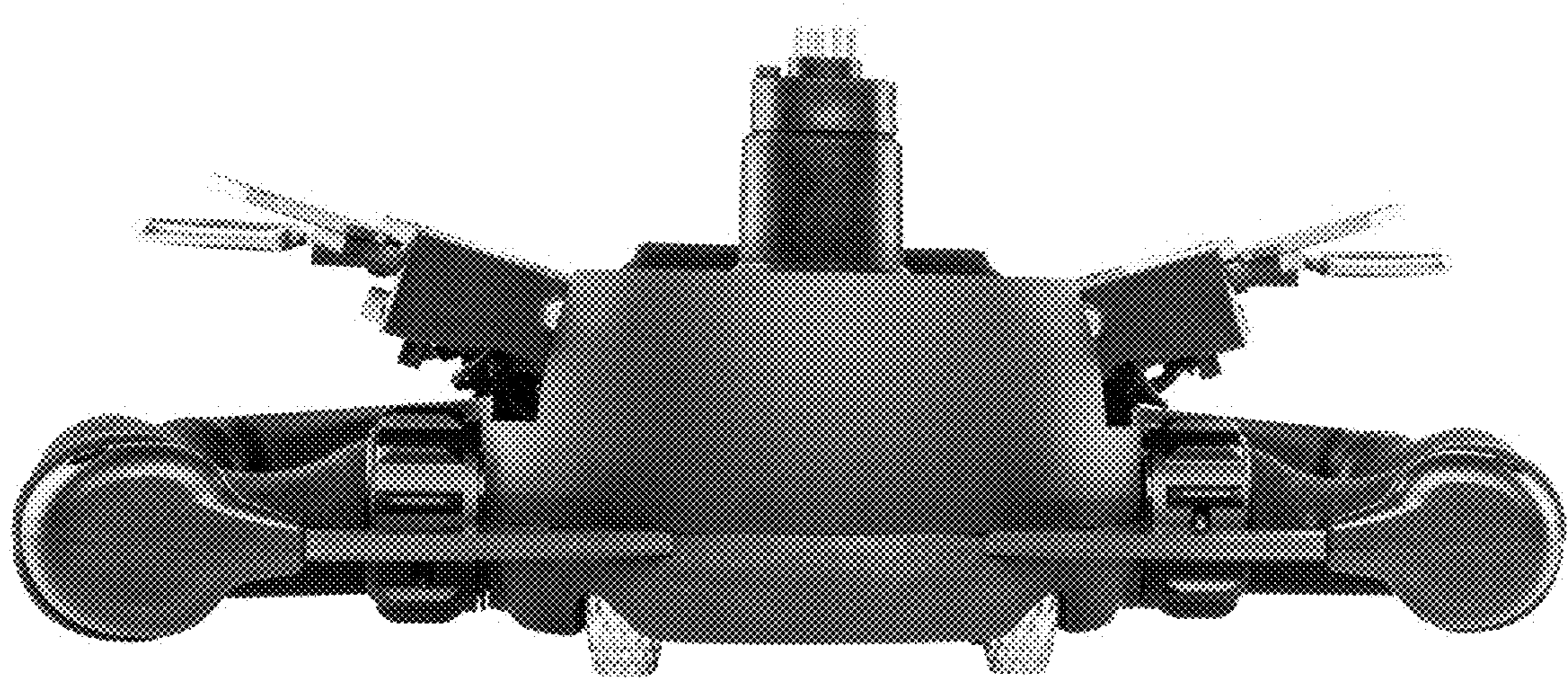
1.4



1.5



1.6



1.7

