



US00D981493S

(12) **United States Design Patent**
Guo

(10) **Patent No.:** **US D981,493 S**

(45) **Date of Patent:** **** Mar. 21, 2023**

(54) **GAME HANDLE**

(71) Applicant: **SHENZHEN SAITAKE ELECTRONIC CO., LTD**, Guangdong (CN)

(72) Inventor: **Siming Guo**, Guangdong Province (CN)

(**) Term: **15 Years**

(21) Appl. No.: **29/799,545**

(22) Filed: **Jul. 15, 2021**

(51) **LOC (14) Cl.** **21-01**

(52) **U.S. Cl.**
USPC **D21/333**

(58) **Field of Classification Search**
USPC D21/324, 332-337, 566, 572-574, 328; D14/217, 218, 356, 387, 388, 389, 400, D14/401, 415, 418, 426-431, 443, 447, D14/449, 450, 454, 455, 471, 474, 483, D14/496, 511; D13/164, 168
CPC A63F 9/02; A63F 9/24; A63F 9/029; A63F 9/0252; A63F 13/00; A63F 13/23; A63F 13/24; A63F 13/26; A63F 13/98; A63F 13/02; A63F 13/12; A63F 9/0291; A63F 9/00; A63F 2300/00; A63F 2300/1031
See application file for complete search history.

(56) **References Cited**

U.S. PATENT DOCUMENTS

D710,945 S * 8/2014 Biheller D14/401
D736,859 S * 8/2015 Joynes D14/401
D815,211 S * 4/2018 Buller D21/333
D875,180 S * 2/2020 Wang D21/333
D884,796 S * 5/2020 Zhou D14/401
D909,481 S * 2/2021 Liu D21/333
D912,153 S * 3/2021 Ehara D14/401

D912,155 S * 3/2021 Yang D21/333
D928,884 S * 8/2021 Zhou D21/333
D937,933 S * 12/2021 Tong D14/401
D946,658 S * 3/2022 Feng D21/332
D953,435 S * 5/2022 Hu D14/401
D953,436 S * 5/2022 Hu D21/333
D953,437 S * 5/2022 Hu D21/333
D953,438 S * 5/2022 Liang D21/333
D954,151 S * 6/2022 Lv D21/333
D955,388 S * 6/2022 Zhou D14/401
D956,141 S * 6/2022 Liang D21/333
D959,558 S * 8/2022 Xiao D14/401
D960,987 S * 8/2022 Tang D21/333
11,508,137 B2 * 11/2022 Ogura G06T 19/20
11,511,186 B2 * 11/2022 VanWyk G06F 3/03547
D973,776 S * 12/2022 Lv D21/333
2020/0155928 A1 * 5/2020 Guo A63F 13/98
2022/0323857 A1 * 10/2022 Khaira A63F 13/23
2022/0331688 A1 * 10/2022 Khaira A63F 13/235
2022/0339533 A1 * 10/2022 Schoenith A63F 13/24
2022/0347564 A1 * 11/2022 Khaira A63F 13/214

* cited by examiner

Primary Examiner — Mehri F Bajoul

(74) *Attorney, Agent, or Firm* — Sandy Lipkin

(57) **CLAIM**

The ornamental design for a game handle, as shown and described.

DESCRIPTION

FIG. 1 is a front view of a game handle, showing my new design;

FIG. 2 is a top plan view thereof;

FIG. 3 is a bottom plan view thereof;

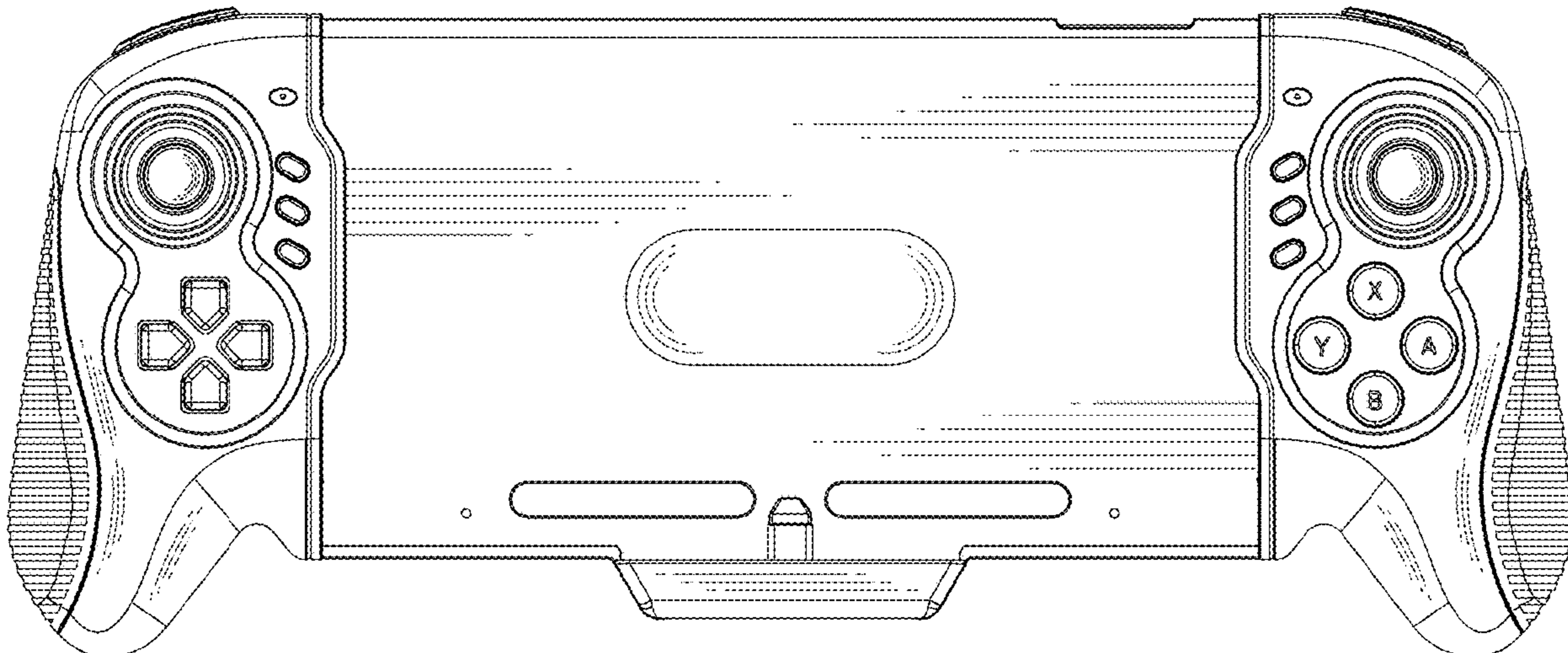
FIG. 4 is a rear elevational view thereof;

FIG. 5 is a left elevational view thereof;

FIG. 6 is a right elevational view thereof; and,

FIG. 7 is a perspective view thereof.

1 Claim, 7 Drawing Sheets



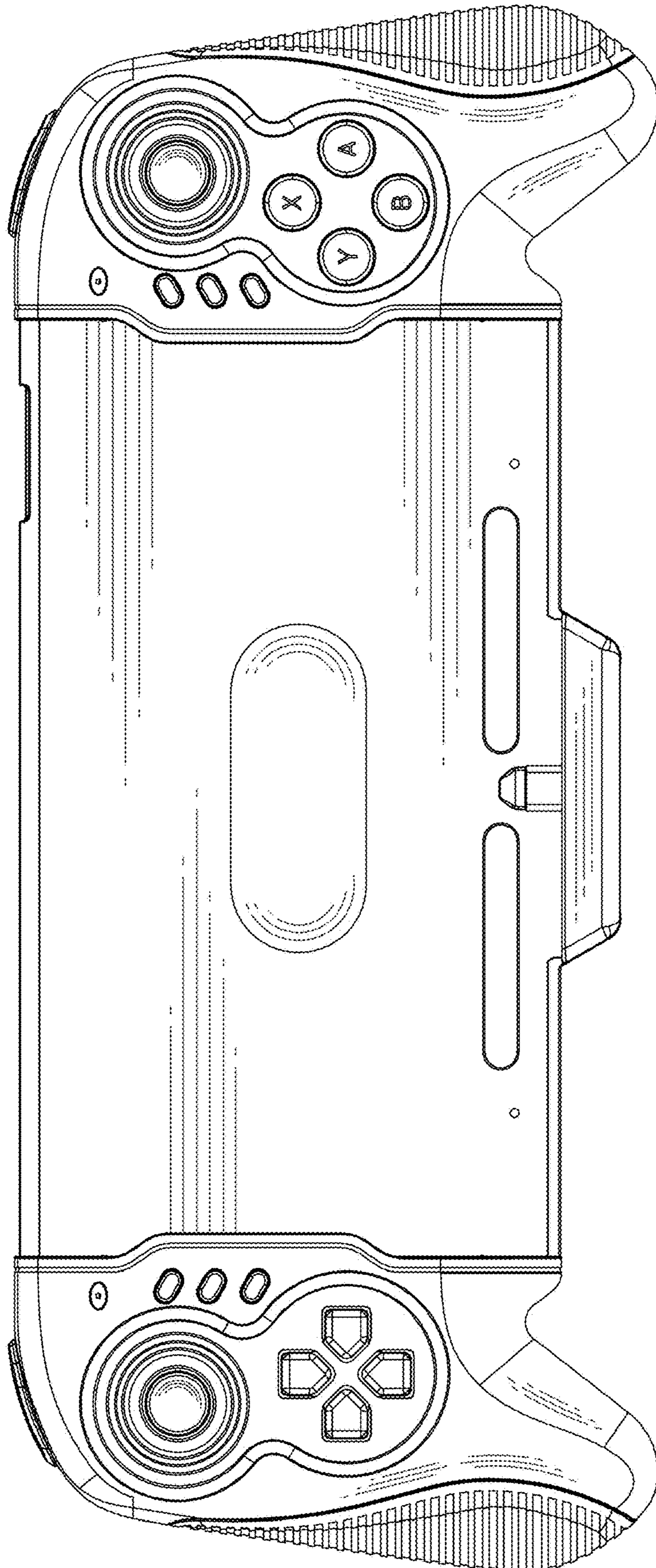


FIG. 1

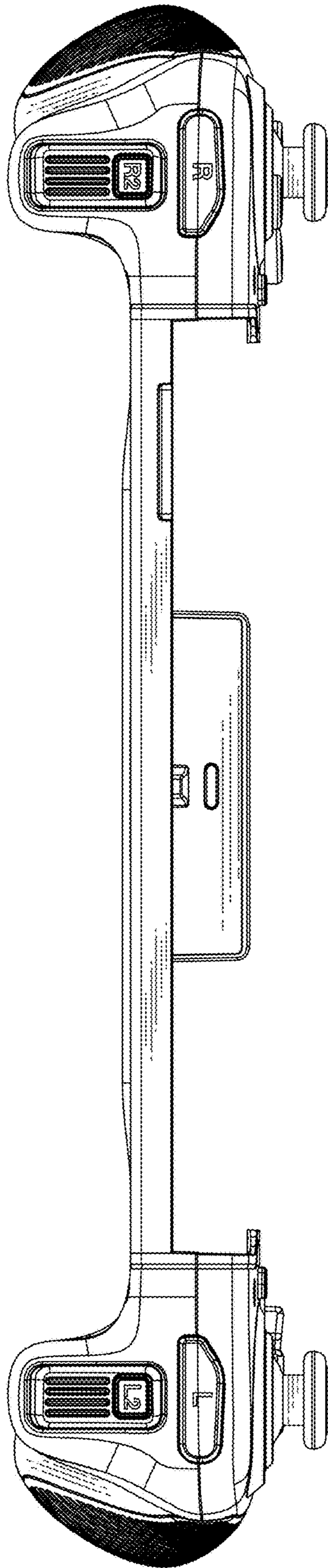


FIG. 2

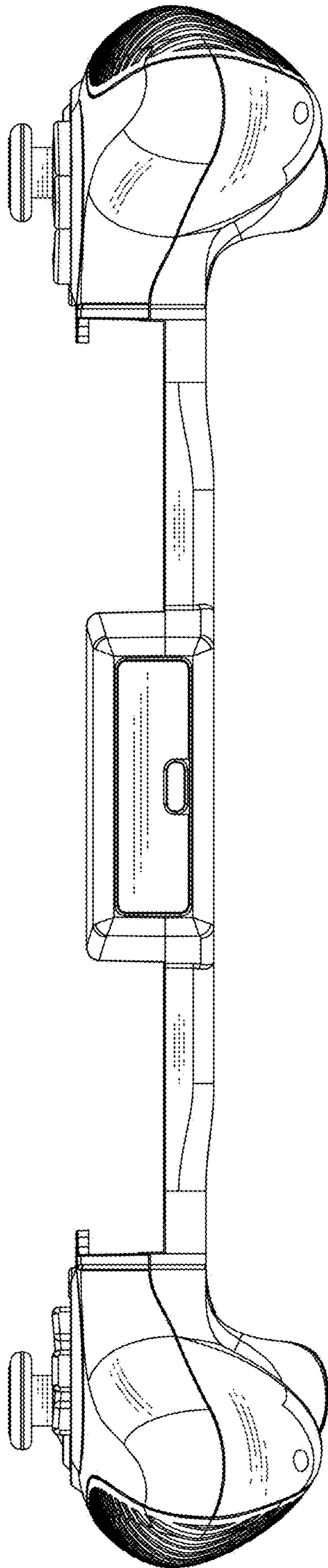


FIG. 3

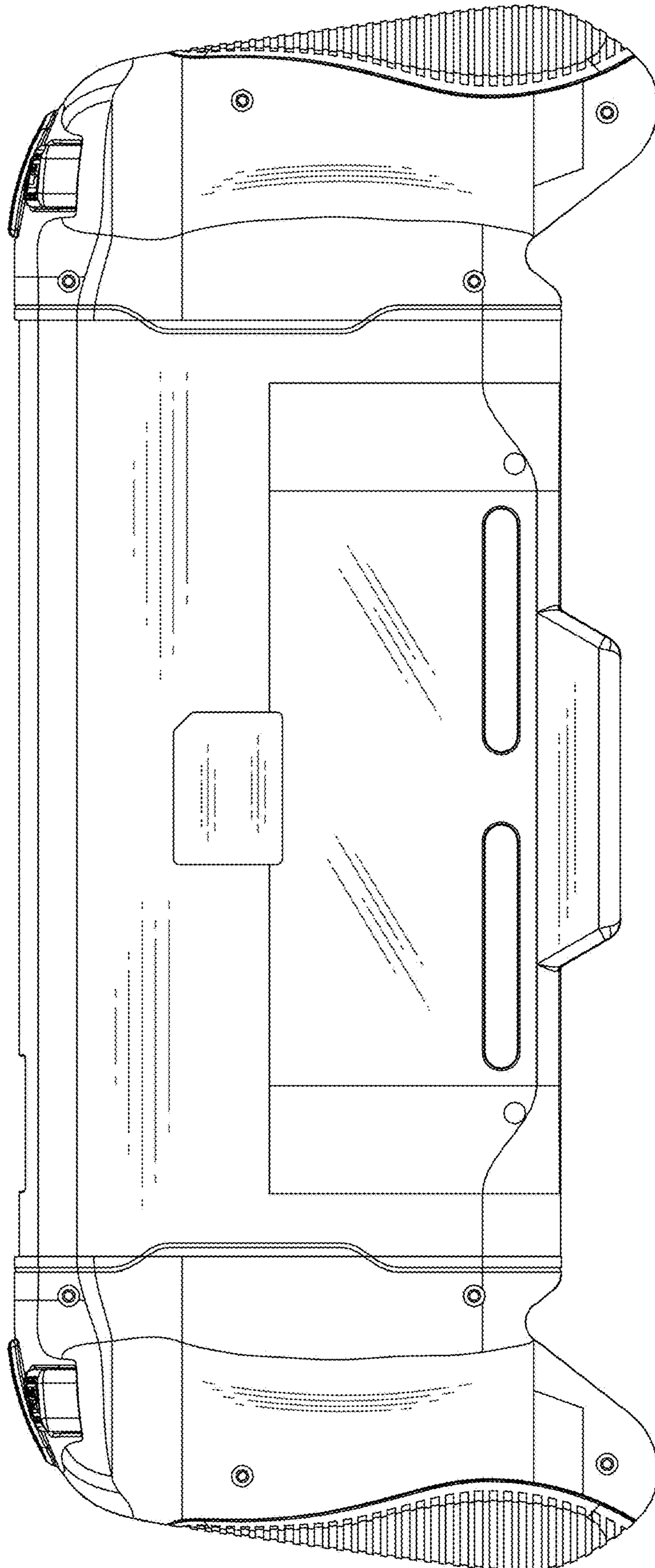


FIG. 4

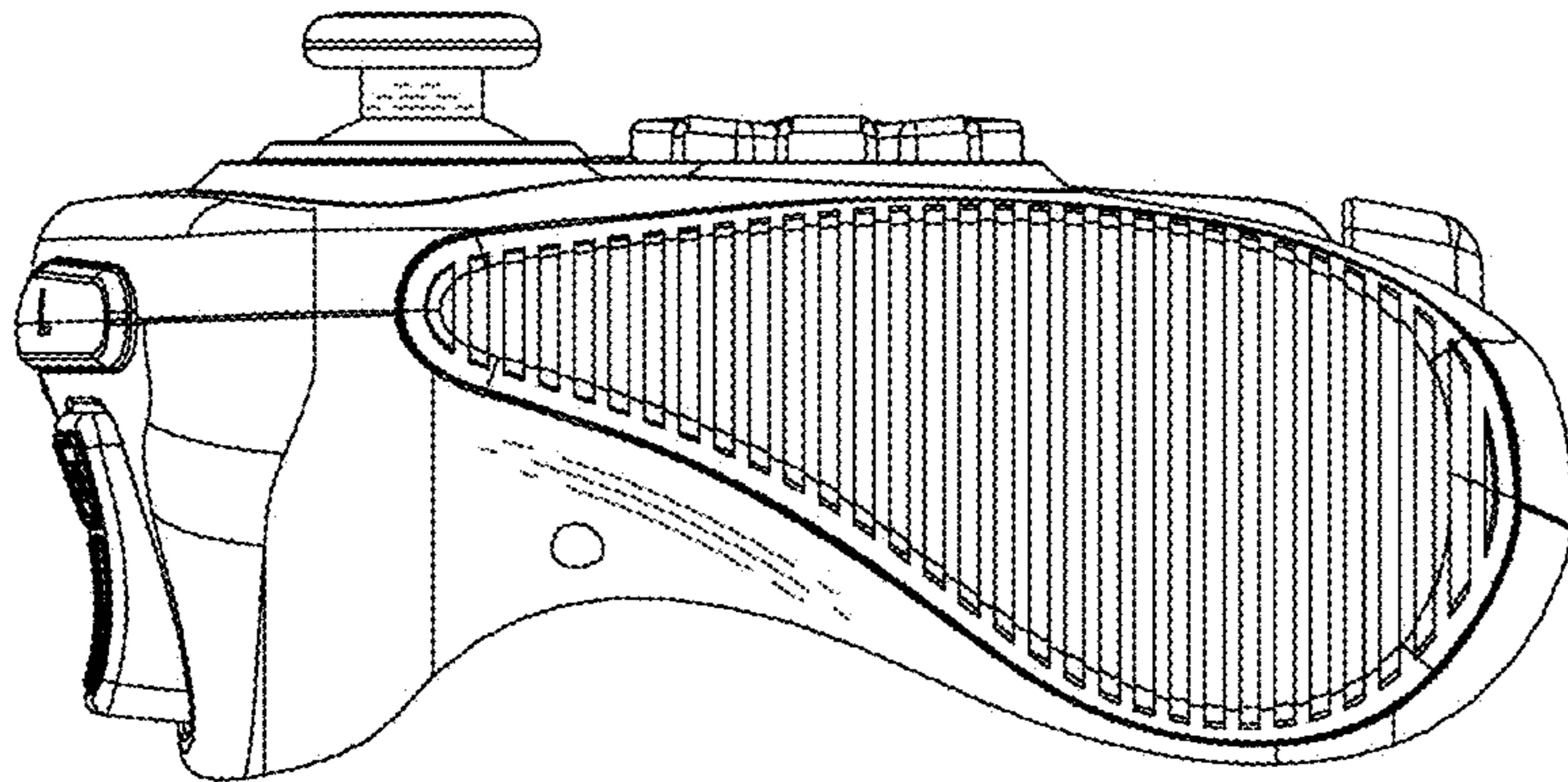


FIG. 5

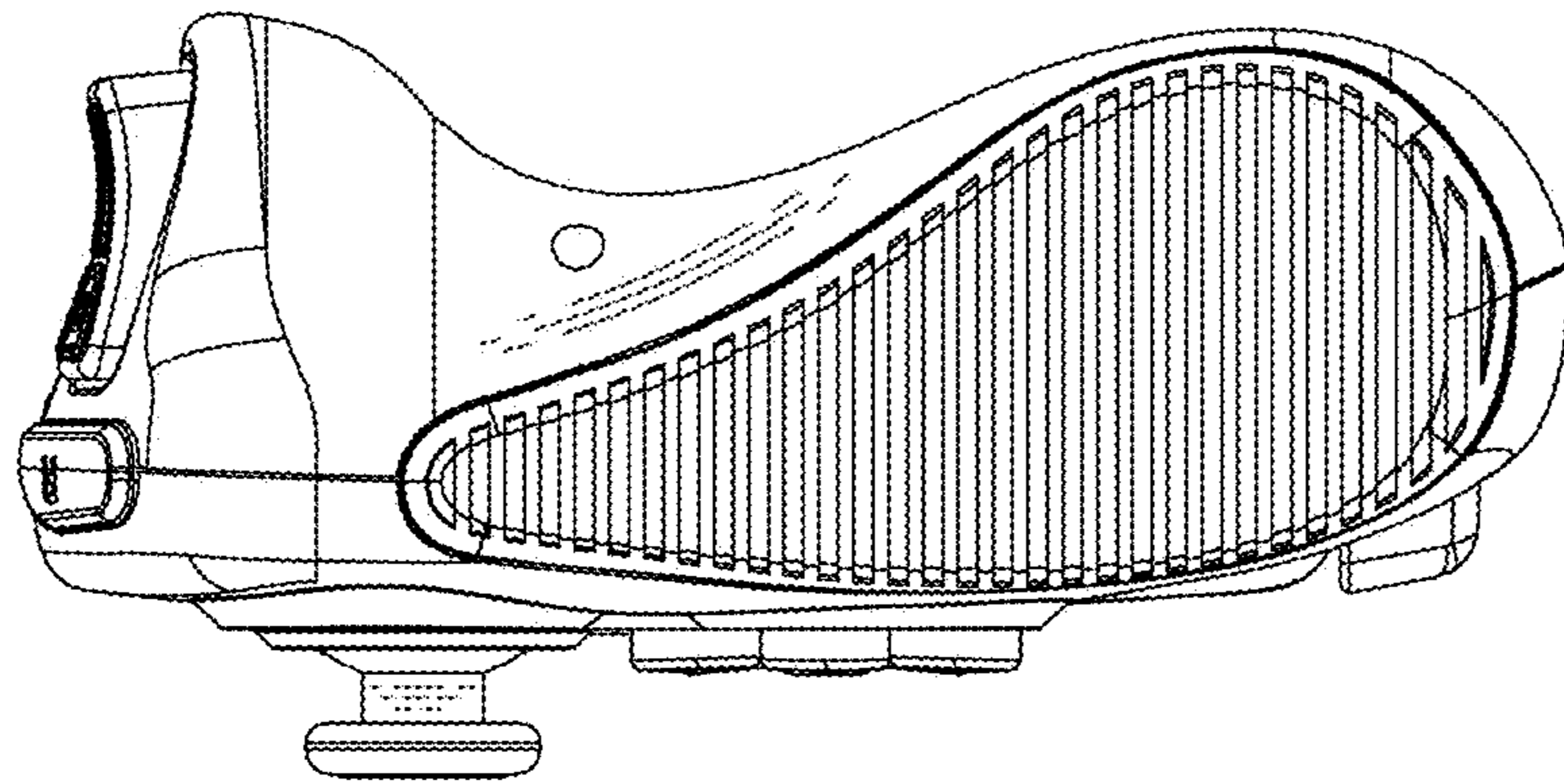


FIG. 6

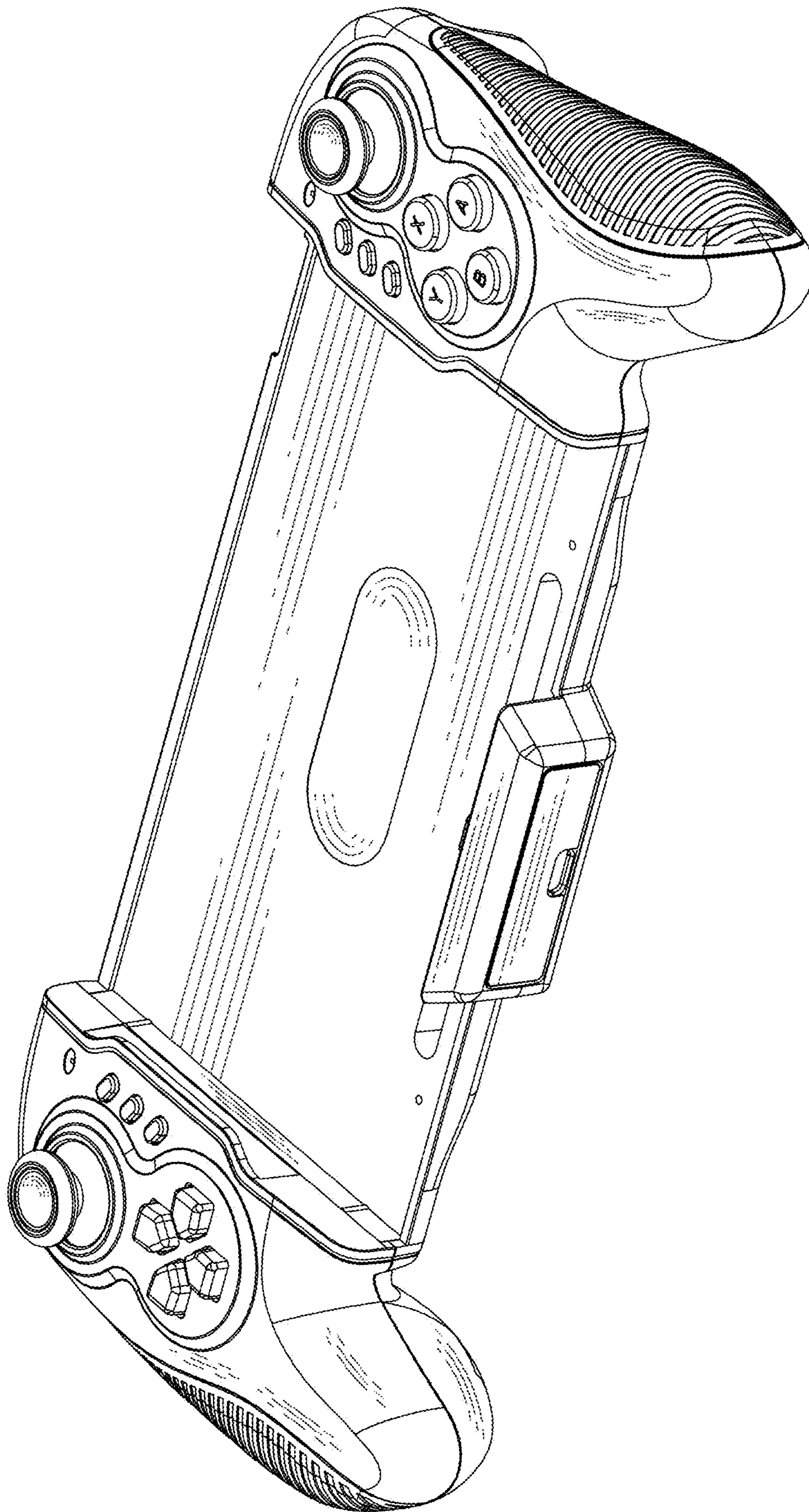


FIG. 7