



US00D981489S

(12) **United States Design Patent** (10) **Patent No.:** **US D981,489 S**
Lv (45) **Date of Patent:** **** Mar. 21, 2023**

(54) **PEN WITH A BOX SET**
(71) Applicant: **Riteline LLC**, Dallas, TX (US)
(72) Inventor: **Jianqiao Lv**, Wenzhou (CN)
(73) Assignee: **Riteline LLC**, Dallas, TX (US)
(**) Term: **15 Years**
(21) Appl. No.: **29/758,046**
(22) Filed: **Nov. 11, 2020**
(51) **LOC (14) Cl.** **19-06**
(52) **U.S. Cl.**
USPC **D19/135**
(58) **Field of Classification Search**
USPC D19/115–185; D14/431
CPC G06F 3/0383; G06F 3/03545
See application file for complete search history.

(56) **References Cited**
U.S. PATENT DOCUMENTS
1,883,012 A * 10/1932 Shields A47F 7/03
206/214
D236,462 S * 8/1975 Malberg D19/135
D258,911 S * 4/1981 Sandel D10/70
4,602,397 A * 7/1986 Chao B43K 29/18
7/164
D305,914 S * 2/1990 Ukisu D19/135
6,814,226 B2 * 11/2004 Chao G02C 5/08
D19/135
D506,225 S * 6/2005 Mills D19/83
D519,563 S * 4/2006 Pellissa Beneyto D19/174
(Continued)

FOREIGN PATENT DOCUMENTS
WO D087805-002 * 4/2016

OTHER PUBLICATIONS
Lvcky Ballpoint Pen Gift Box, Amazon.com, date published Feb. 23, 2019, date retrieved from internet Mar. 18, 2022—29758046—https://amzn.to/36tVOVk (Year: 2019).*
(Continued)

Primary Examiner — Nicole C Shiflet
Assistant Examiner — Danielle Nichole Bowly
(74) *Attorney, Agent, or Firm* — Timothy T. Wang; Ni, Wang & Massand, PLLC

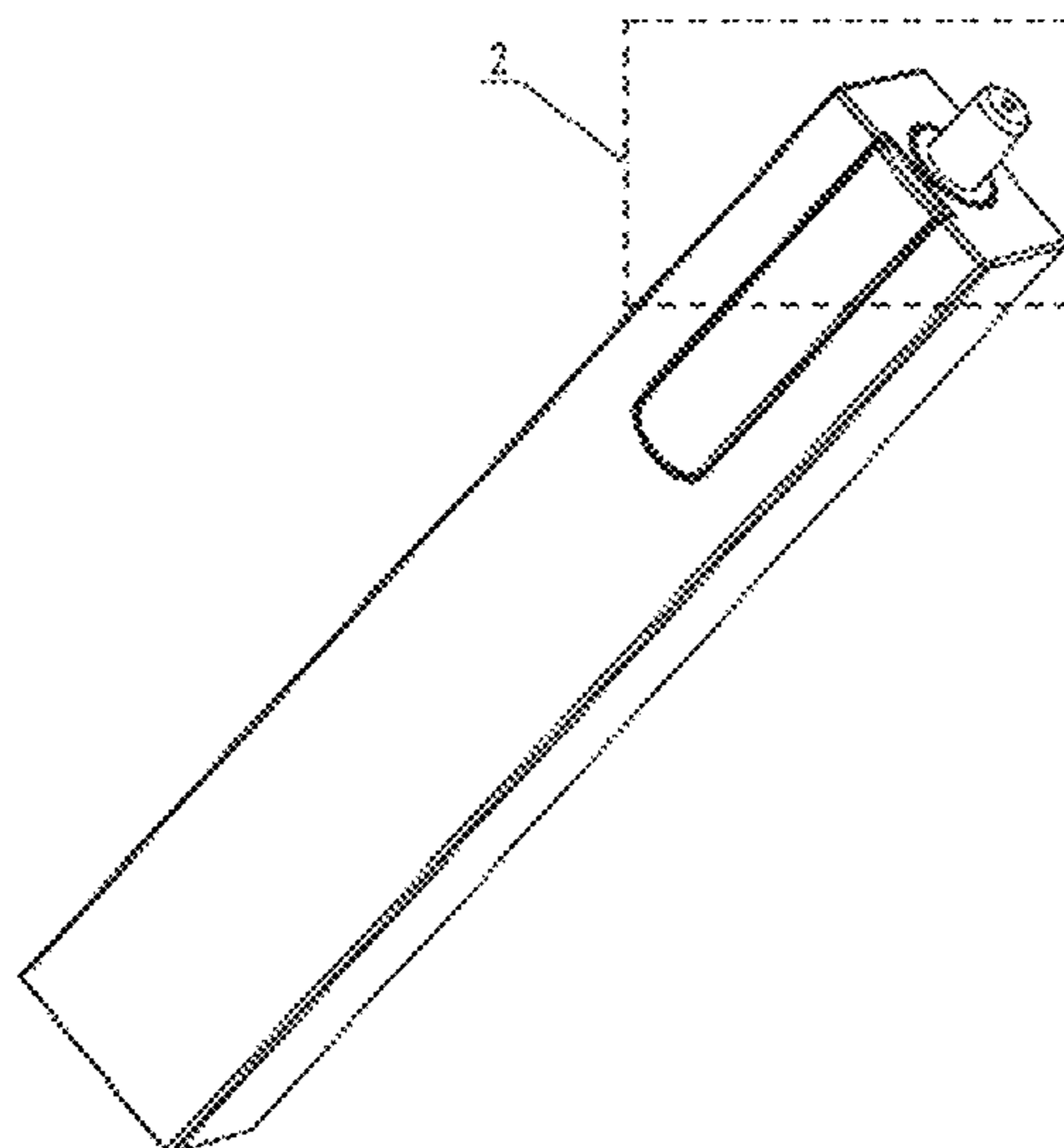
(57) **CLAIM**

The ornamental design for a pen with a box set, as shown and described.

DESCRIPTION

FIG. 1 is a perspective view of the pen with a box set showing my new design, where in the pen is inserted into the box;
FIG. 2 is a detail, perspective view of the upper portion of the pen with a box set, where in the pen is inserted into the box;
FIG. 3 is a perspective view of the box portion isolated from the pen, for ease of understanding;
FIG. 4 is a front elevational view thereof;
FIG. 5 is a rear elevational view thereof;
FIG. 6 is a left side elevational view thereof;
FIG. 7 is a right side elevational view thereof;
FIG. 8 is a top plan view thereof;
FIG. 9 is a bottom plan view thereof;
FIG. 10 is a perspective view of the pen portion isolated from the box, for ease of understanding;
FIG. 11 is a detail, perspective view of the upper portion of the pen isolated from the box;
FIG. 12 is a front elevational view thereof;
FIG. 13 is a rear elevational view thereof;
FIG. 14 is a left side elevational view thereof;
FIG. 15 is a right side elevational view thereof;
FIG. 16 is a top plan view thereof; and,
FIG. 17 is a bottom plan view thereof.
The broken lines represent the bounds of the detail view and form no part of the claim.

1 Claim, 9 Drawing Sheets



(56)

References Cited

U.S. PATENT DOCUMENTS

D533,715 S * 12/2006 Conway D3/206
D662,705 S * 7/2012 Wu D3/206
D714,382 S * 9/2014 Ryan D19/928
D794,120 S * 8/2017 Takemura D3/206
10,792,952 B1 * 10/2020 Lucash B43K 29/007
D937,932 S * 12/2021 Lucash D19/81
2019/0354205 A1 * 11/2019 Rakshit G06F 3/0383

OTHER PUBLICATIONS

RiteLine, LLC Alamo Storyboard Box,ritelineusa.com,date published unknown, date retrieved from internet Mar. 18, 2022—29758046—<https://www.ritelineusa.com/p/MVHMP-OCGKM/K137X/alamo-storyboard-box> (Year: 2022).*

* cited by examiner

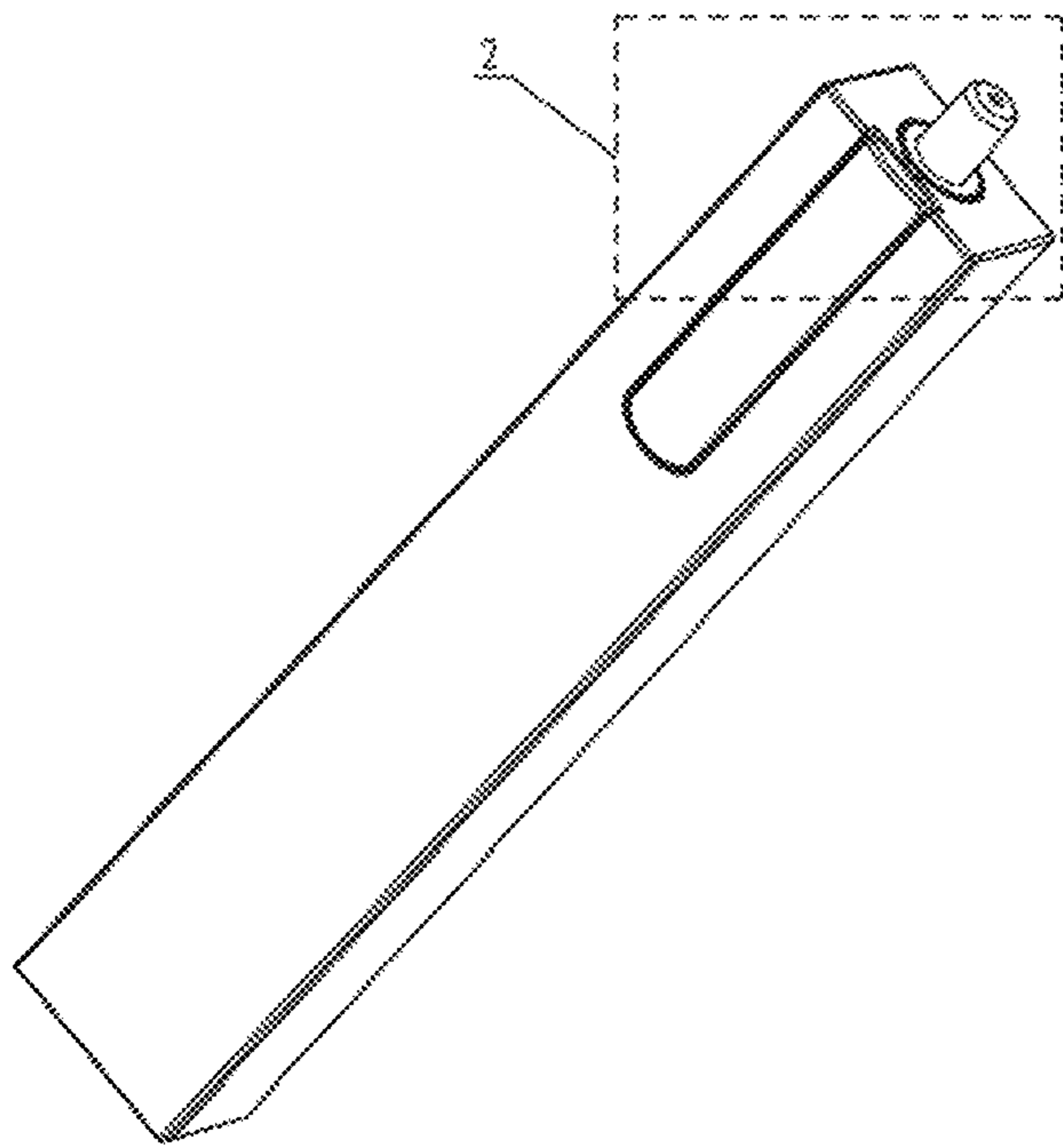


Fig. 1

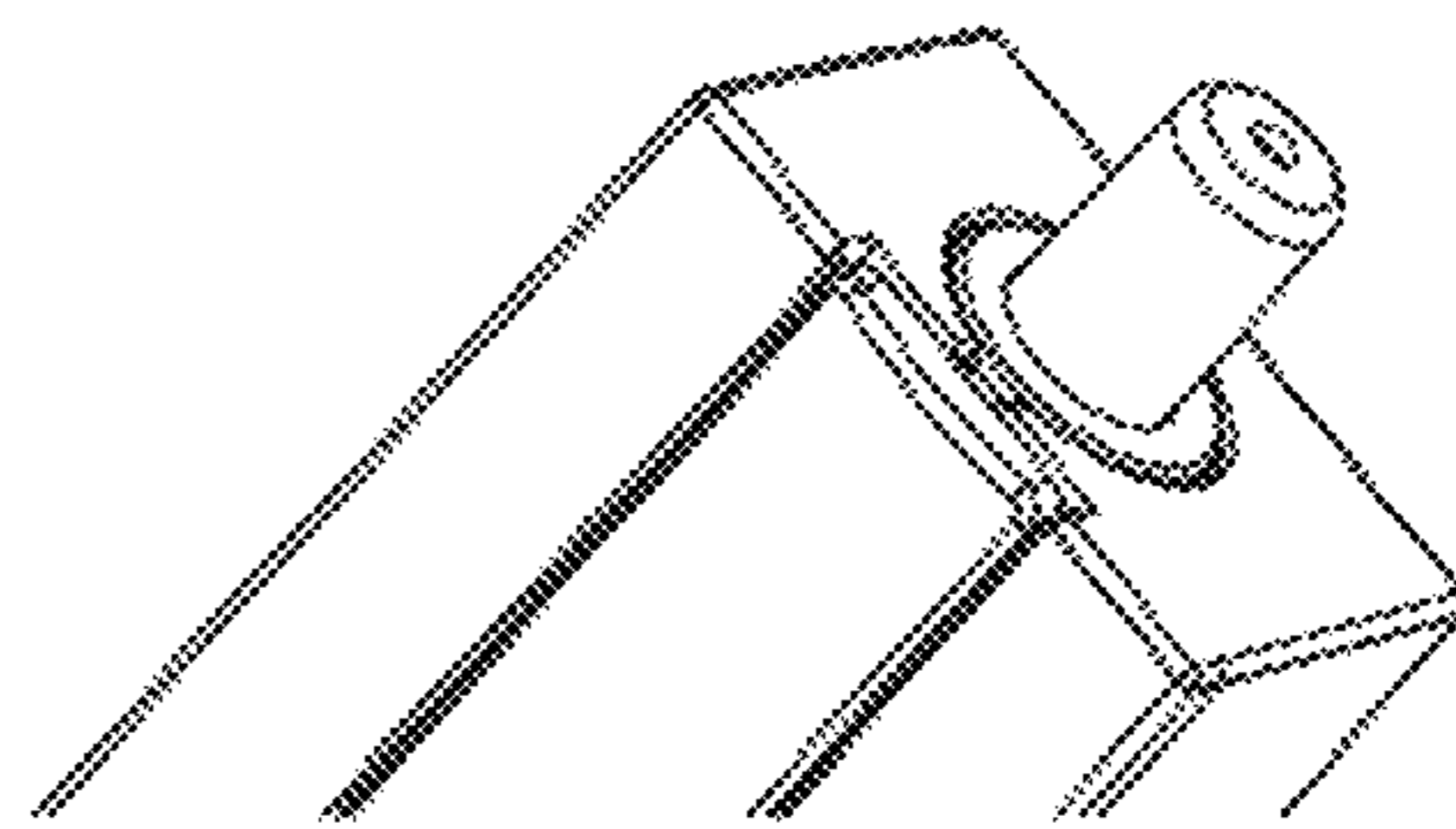


Fig. 2

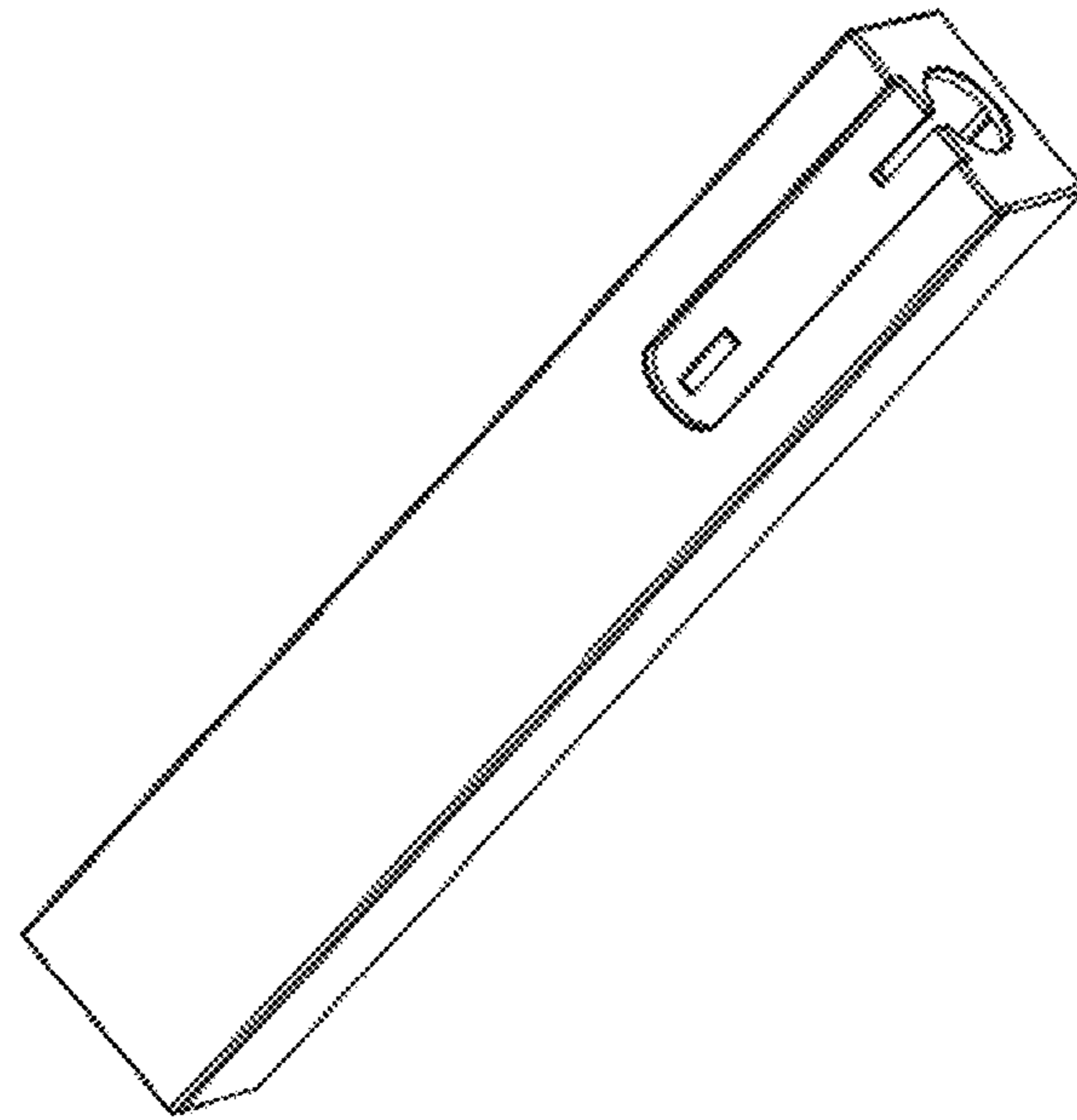


Fig. 3

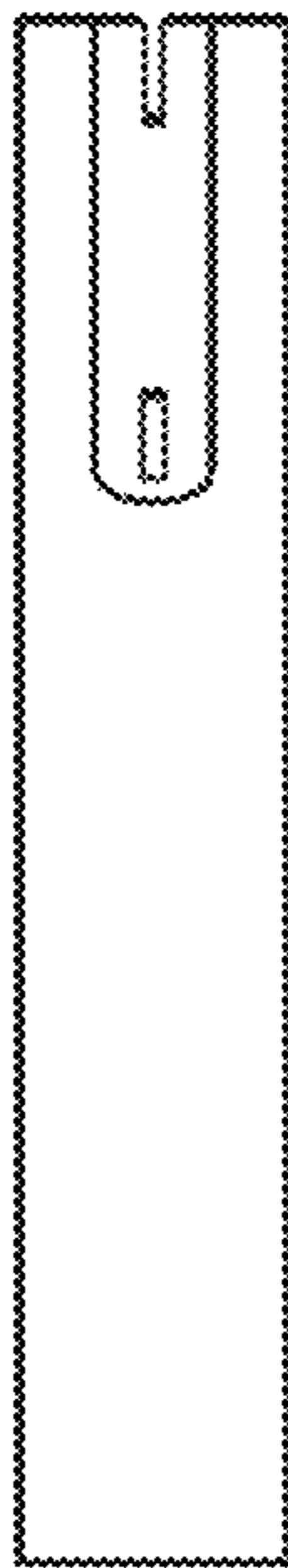


Fig. 4

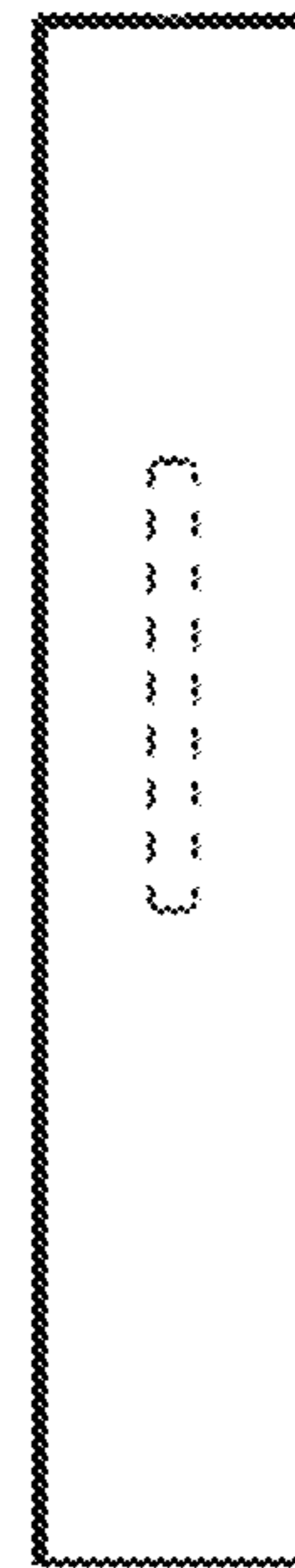


Fig. 5

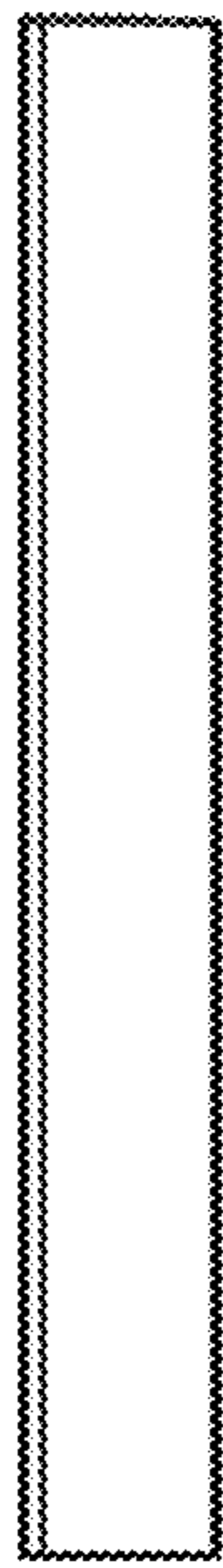


Fig. 6

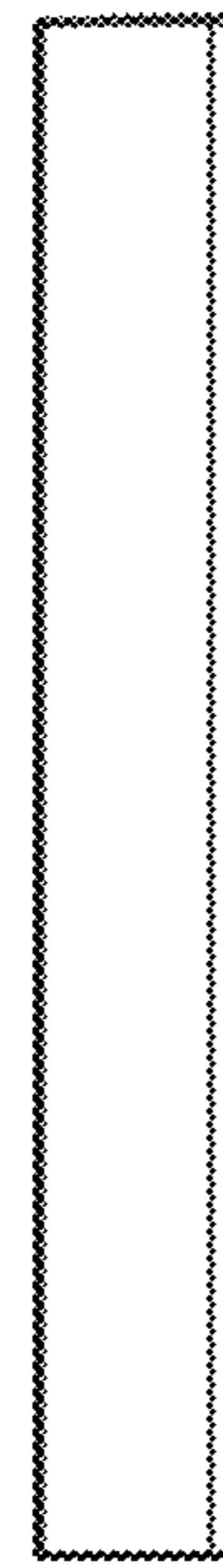


Fig. 7

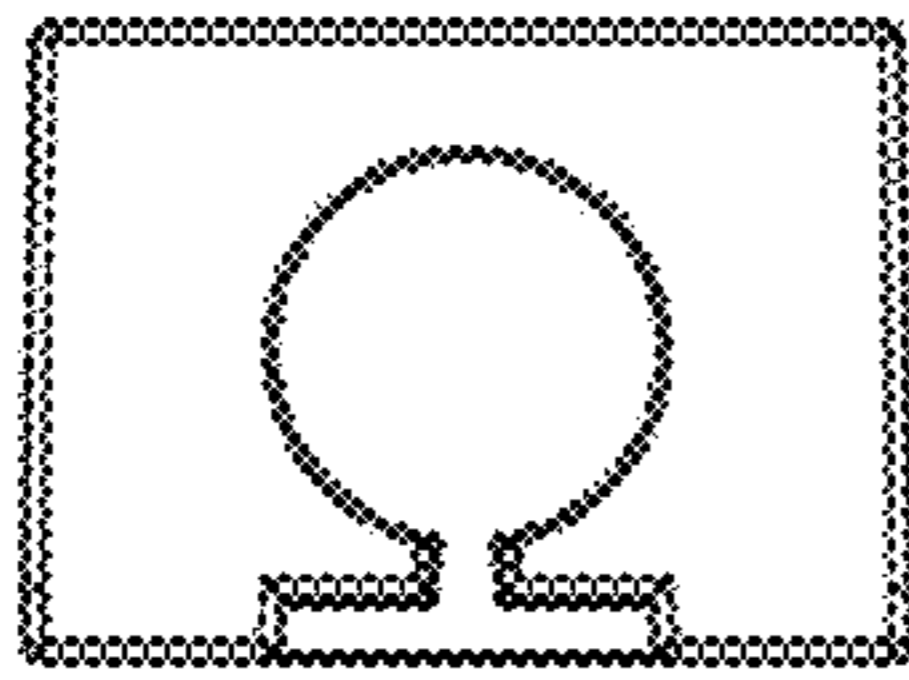


Fig. 8



Fig. 9

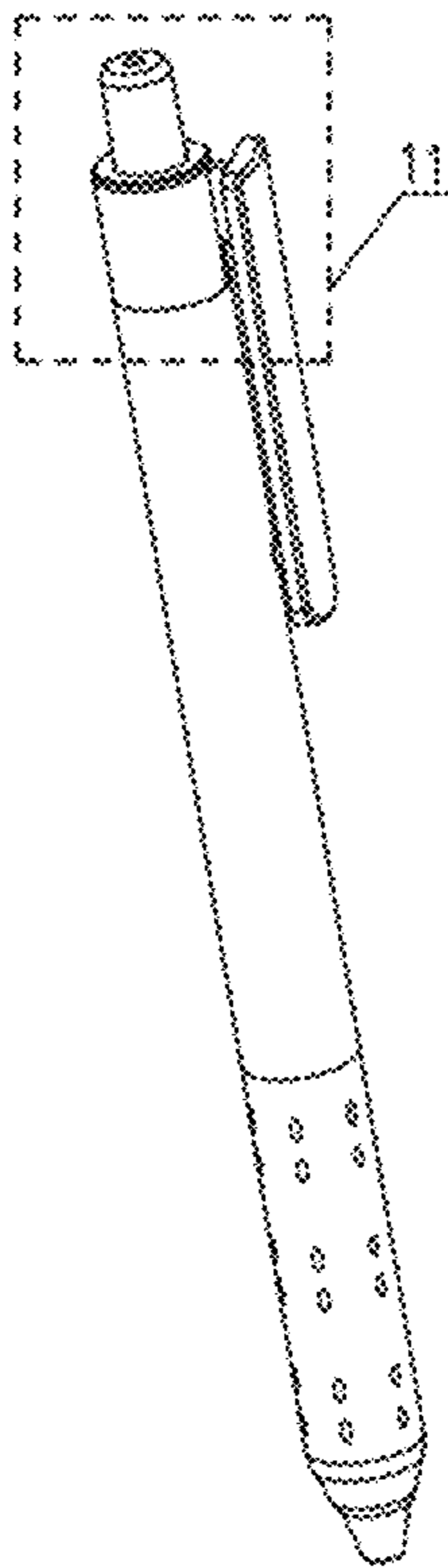


Fig. 10

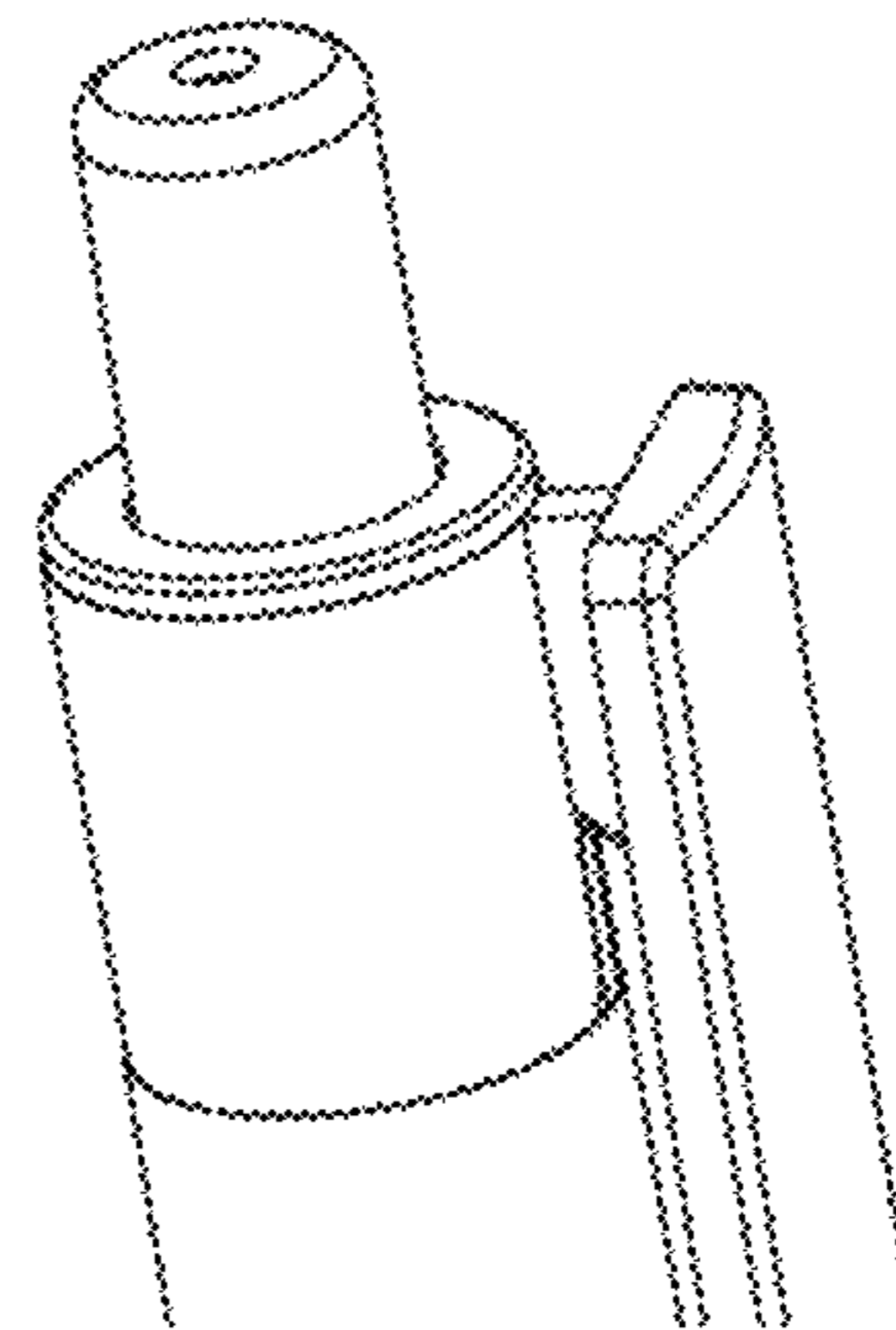


Fig. 11

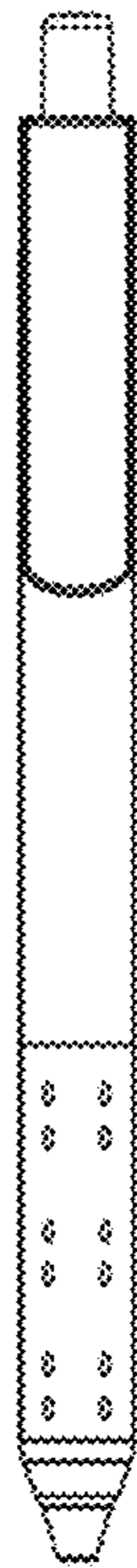


Fig. 12

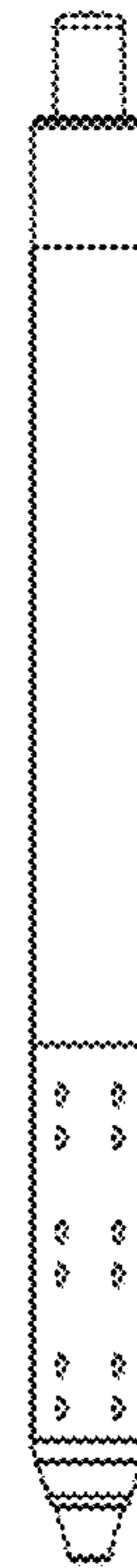


Fig. 13

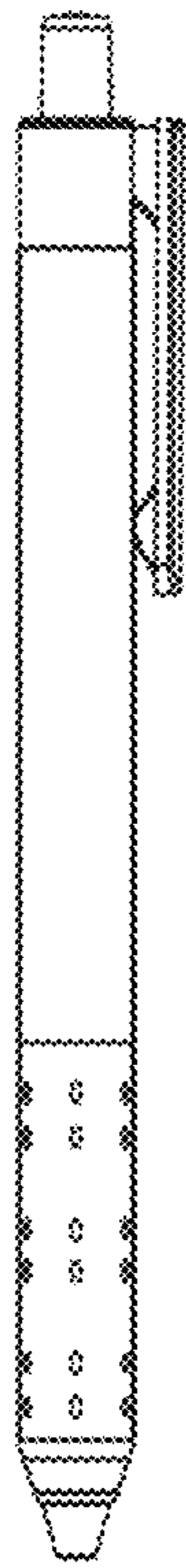


Fig. 14

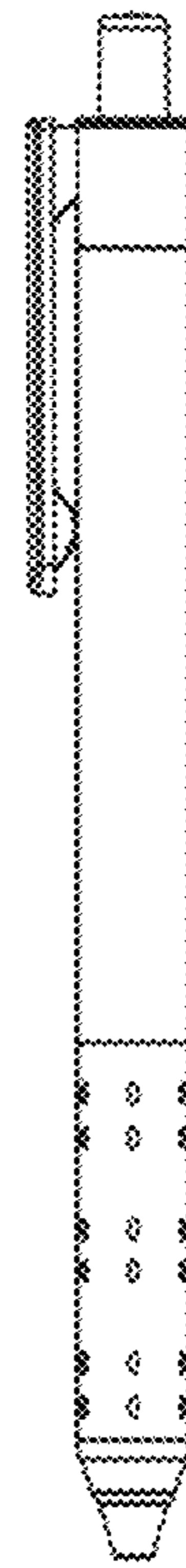


Fig. 15

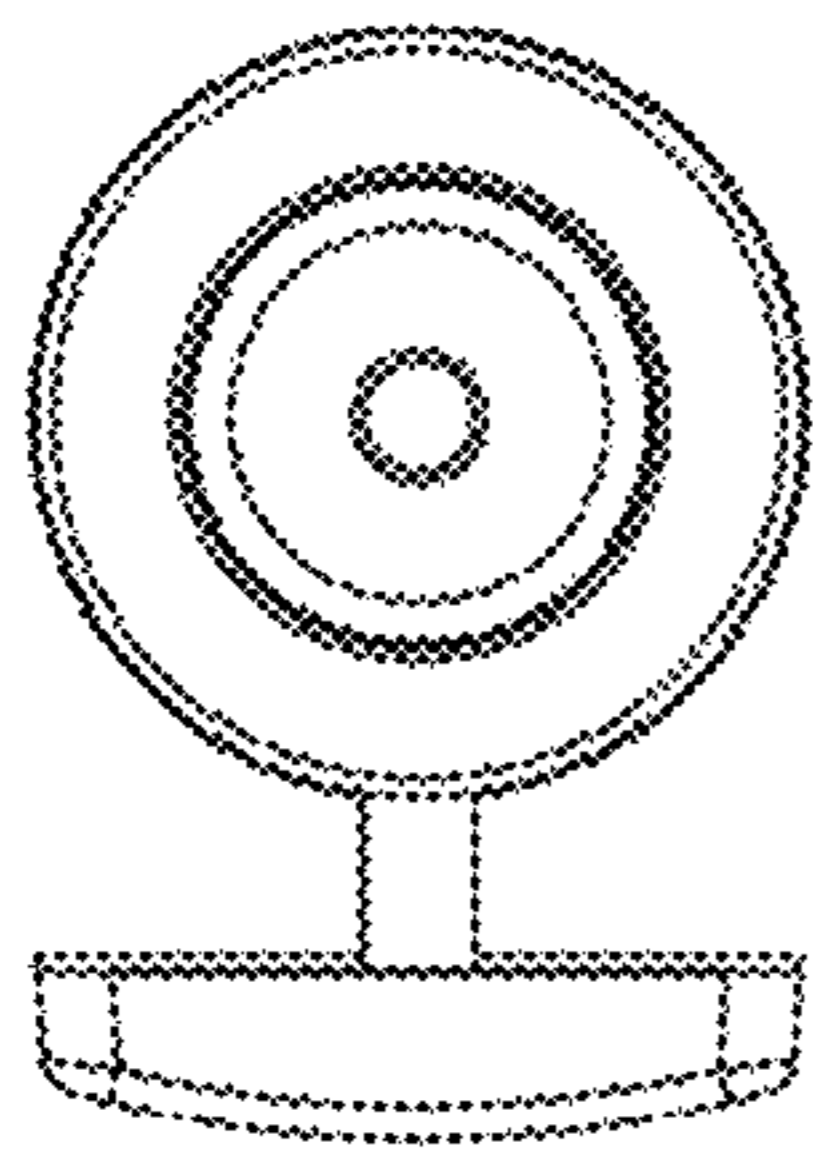


Fig. 16

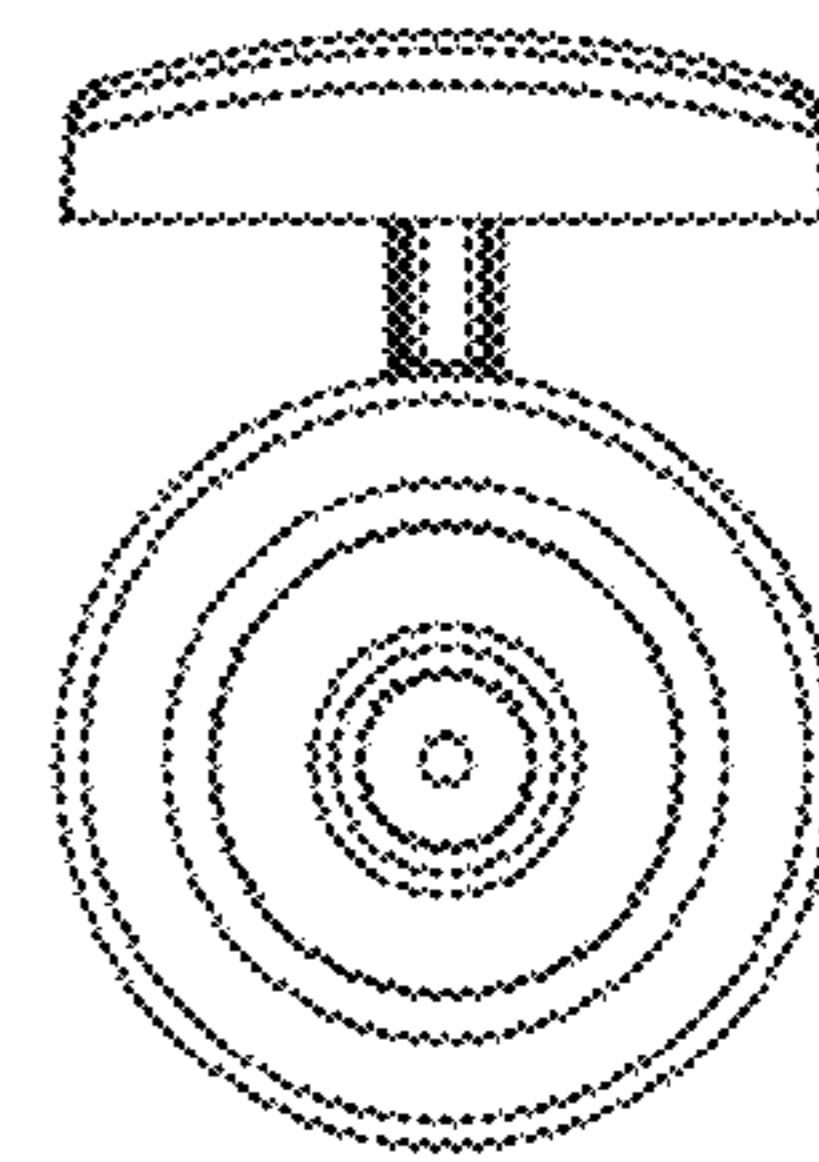


Fig. 17