



US00D981488S

(12) **United States Design Patent**
Zhang

(10) **Patent No.:** **US D981,488 S**
(45) **Date of Patent:** **** Mar. 21, 2023**

(54) **CLEANING PEN**
(71) Applicant: **SHANGHAI XINXIE INDUSTRIAL CO., LTD.**, Shanghai (CN)
(72) Inventor: **Qinbing Zhang**, Shihezi (CN)
(**) Term: **15 Years**
(21) Appl. No.: **29/822,907**
(22) Filed: **Jan. 12, 2022**
Related U.S. Application Data

(63) Continuation-in-part of application No. 29/785,991, filed on May 28, 2021, now Pat. No. Des. 965,936.
(51) **LOC (14) Cl.** **19-06**
(52) **U.S. Cl.**
USPC **D19/123**
(58) **Field of Classification Search**
USPC D19/66, 70, 71, 80-85, 186, 901-906, D19/907-919, 920-924, 925-930, D19/931-934; D32/47
CPC B43K 17/005; B43K 5/005; B43K 7/12; B43K 8/04; B43K 8/06; B43K 19/00; B43K

(Continued)

(56) **References Cited**

U.S. PATENT DOCUMENTS

2,092,212 A * 9/1937 Horton A46B 5/0095 15/184
D175,548 S * 9/1955 Kane D19/71
D266,633 S * 10/1982 Wink D4/108
D303,733 S * 10/1989 Benichou D4/108
D321,717 S * 11/1991 Hager D19/903
D348,500 S * 7/1994 Mortenson D4/118

(Continued)

FOREIGN PATENT DOCUMENTS

CN 307251948 * 1/2022
GB 6205752 * 5/2022

OTHER PUBLICATIONS

Cleaning Pen posted by Golener posted date Dec. 15, 2021, © Amazon, [online], [site visited Aug. 22, 2022]. Available from Internet, <https://www.amazon.com/dp/B09NN456QG/> (Year: 2021).*

Cleaning Pen for AirPods posted by Hagibis posted date Oct. 15, 2021, © Amazon, [online], [site visited Aug. 22, 2022]. Available from Internet, <https://www.amazon.com/dp/B09JK4W5JT/> (Year: 2021).*

(Continued)

Primary Examiner — Garth Rademaker
Assistant Examiner — Laura H Yu
(74) *Attorney, Agent, or Firm* — Daniel M. Cohn; Howard M. Cohn

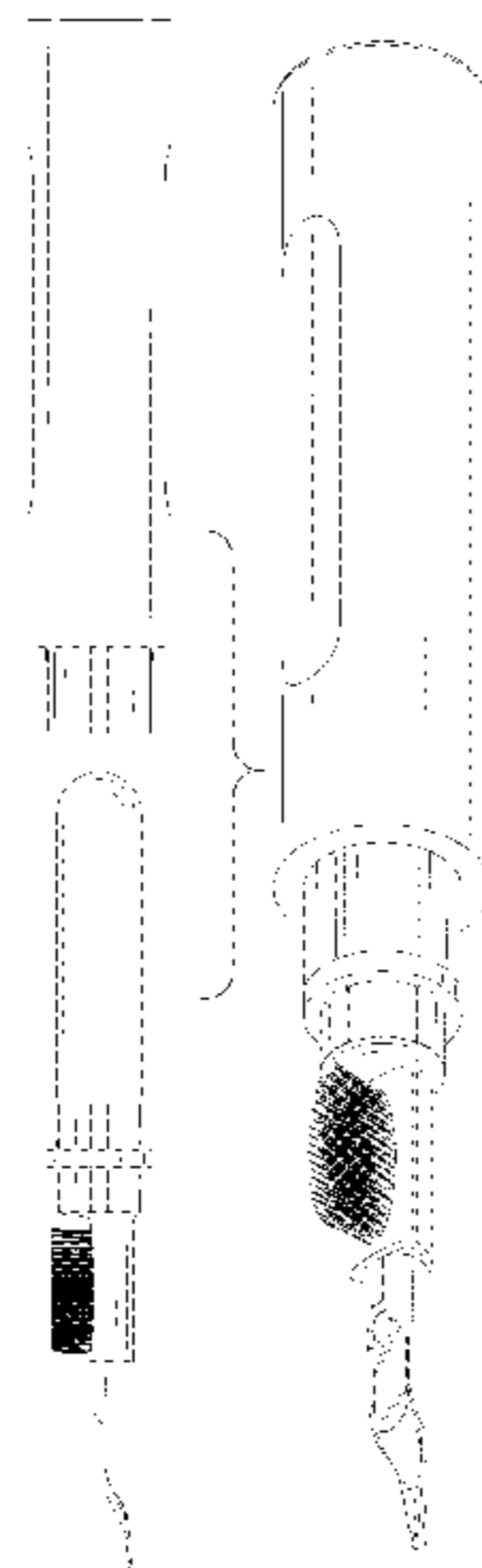
(57) **CLAIM**

The ornamental design for a cleaning pen, as shown and described.

DESCRIPTION

FIG. 1 is an exploded perspective view of a cleaning pen showing my new design;
FIG. 2 is another exploded perspective view thereof;
FIG. 3 is a front elevational view thereof;
FIG. 4 is a rear elevational view thereof;
FIG. 5 is a left side elevational view thereof;
FIG. 6 is a right side elevational view thereof;
FIG. 7 is a top plan view thereof;
FIG. 8 is a bottom plan view thereof;
FIG. 9 is a perspective view of the cleaning pen where the cleaning pen body is received in the pen holder;
FIG. 10 is another perspective view of FIG. 9 with the pen cap covered on the cleaning pen body;
FIG. 11 is an enlarged view of portion 11 shown in FIG. 1;
FIG. 12 is an enlarged view of portion 12 shown in FIG. 2; and,
FIG. 13 is an enlarged bottom plan view of FIG. 1.
The dash-dash broken lines immediately adjacent to the shaded areas depict the bounds of the claimed design, while all other dash-dash broken lines are directed to portions of the cleaning pen, both form no part of the claimed design. The dot-dash broken lines represent boundaries of the enlarged portions and form no part of the claimed design.

1 Claim, 13 Drawing Sheets



(58) **Field of Classification Search**

CPC 19/02; B43K 19/14; B43K 21/006; B43K
21/06; A45D 40/02

See application file for complete search history.

(56) **References Cited**

U.S. PATENT DOCUMENTS

D505,263 S *	5/2005	Santiago	D4/114
7,555,802 B2 *	7/2009	Bohannon	A63B 57/60
			D4/118
D656,192 S *	3/2012	Chen	D19/163
D728,024 S *	4/2015	Shimada	D19/163

OTHER PUBLICATIONS

Bluetooth Earbuds Cleaning Pen posted by Avevna posted date Nov. 23, 2021, © Amazon, [online], [site visited Aug. 22, 2022]. Available from Internet, <https://www.amazon.com/dp/B09MFGVK4Z/> (Year: 2021).*

Bluetooth Earbuds Cleaning Pen posted by Yesimla posted date Nov. 21, 2021, © Amazon, [online], [site visited Aug. 22, 2022]. Available from Internet, https://www.amazon.com/Bluetooth-Multifunction-Earphones-Headphones-Accessories/dp/B09MBS2Y1T/ref=psdc_172541_t3_B09VFJFCZZ?th=1 (Year: 2021).*

“One Click Fiber Optic Cleaner Connector End Face Fiber Cleaning Pen for 1.25mm LC/MU Connectors(Blue)”, Retrieved Jan. 12, 2022. Retrieved from Internet, <https://www.amazon.co.uk/Cleaner-Connector-Cleaning-1-25mm-Connectors-Blue/dp/B01G5KVSLI/ref>.

* cited by examiner

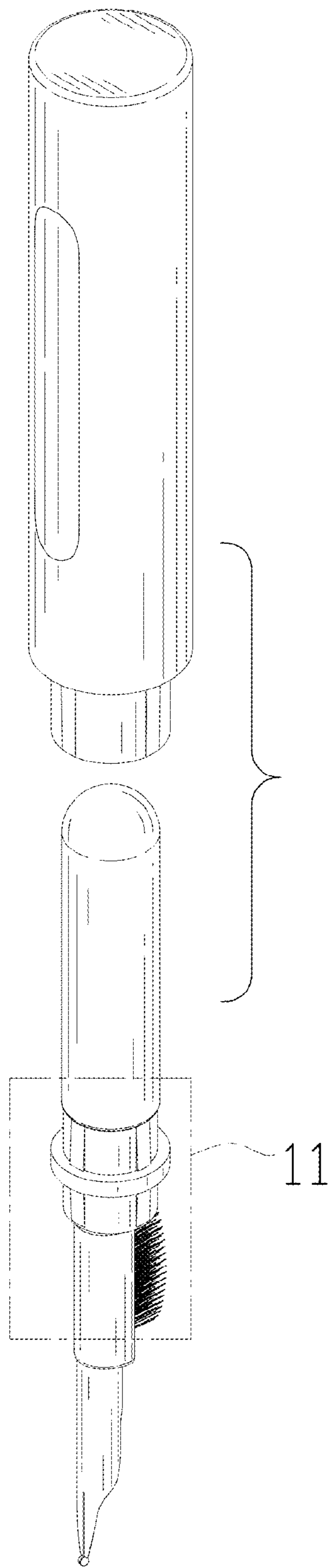


FIG. 1

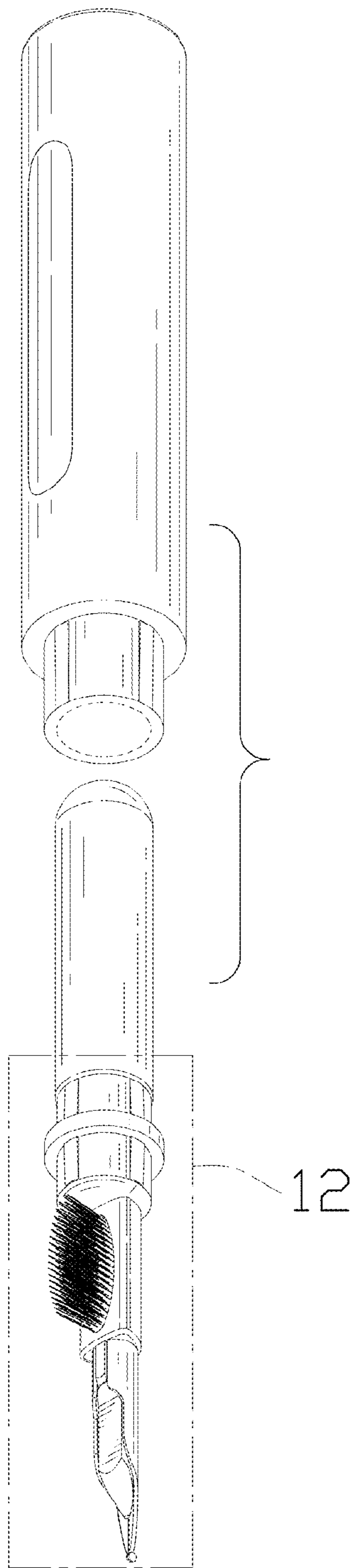


FIG. 2

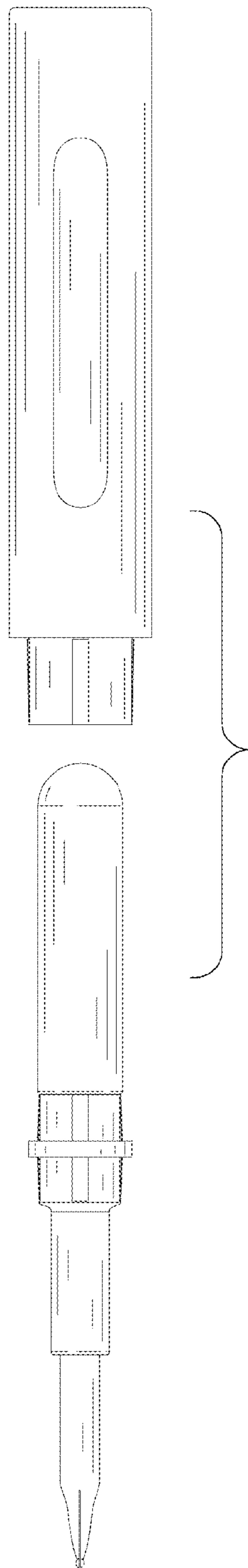


FIG. 3

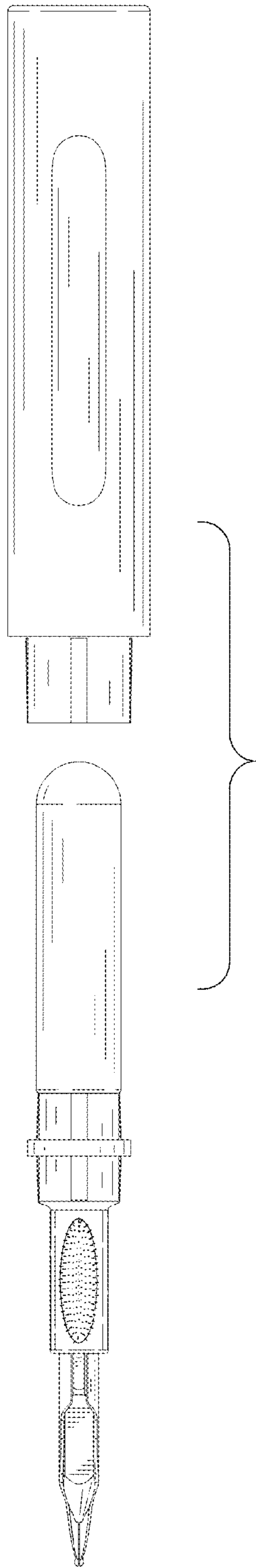


FIG. 4

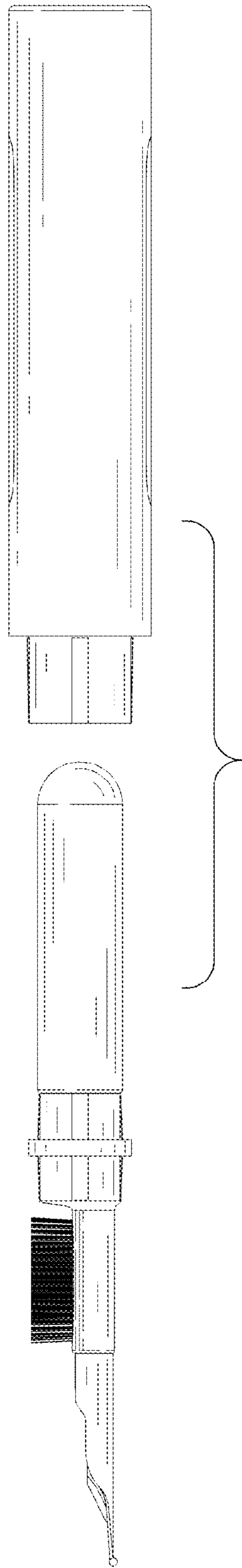


FIG. 5

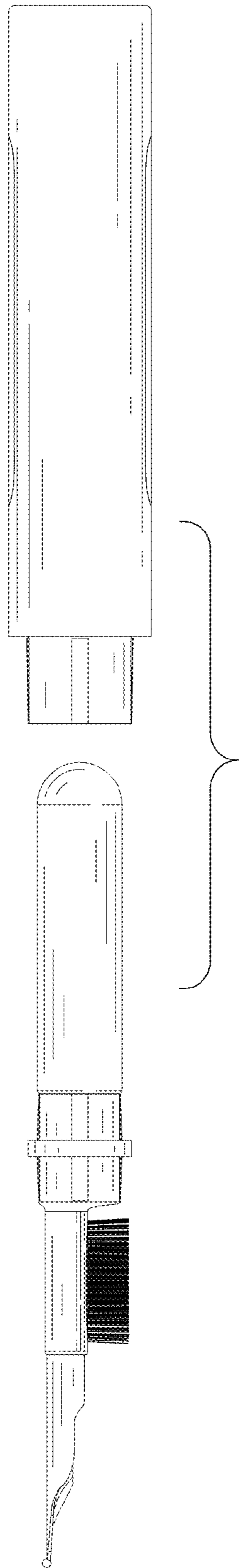


FIG. 6

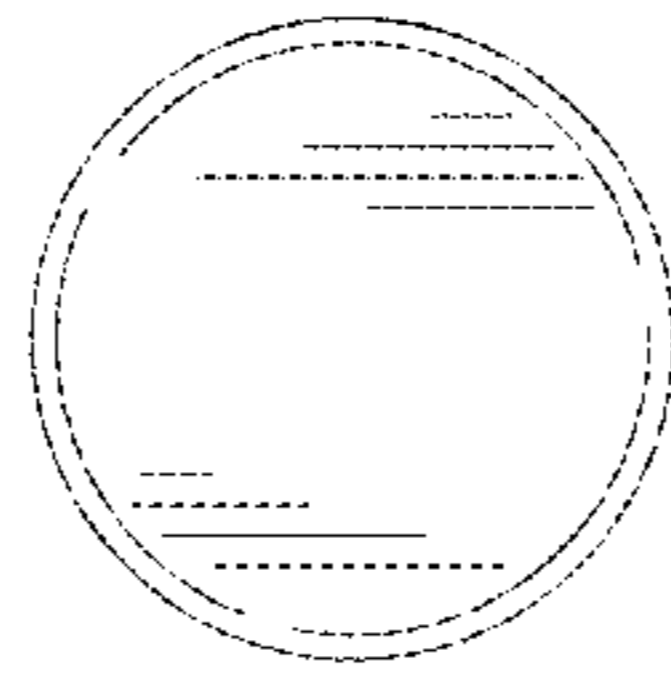


FIG. 7

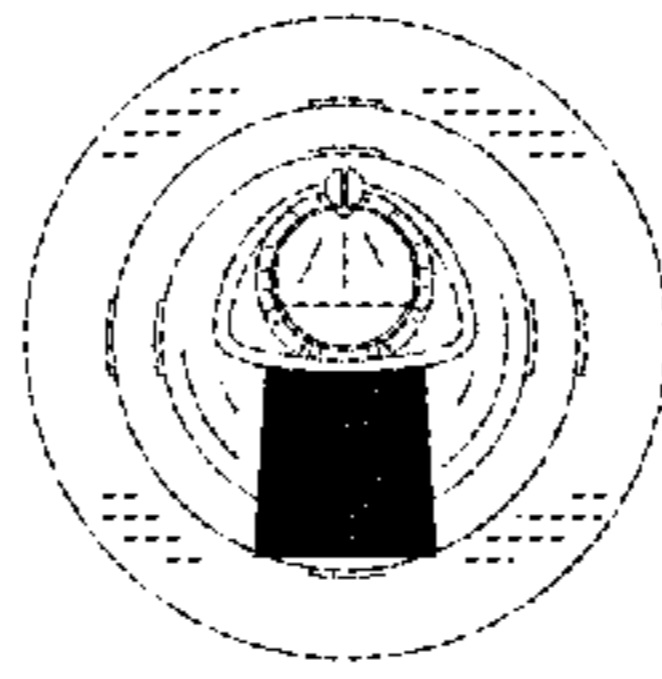


FIG. 8

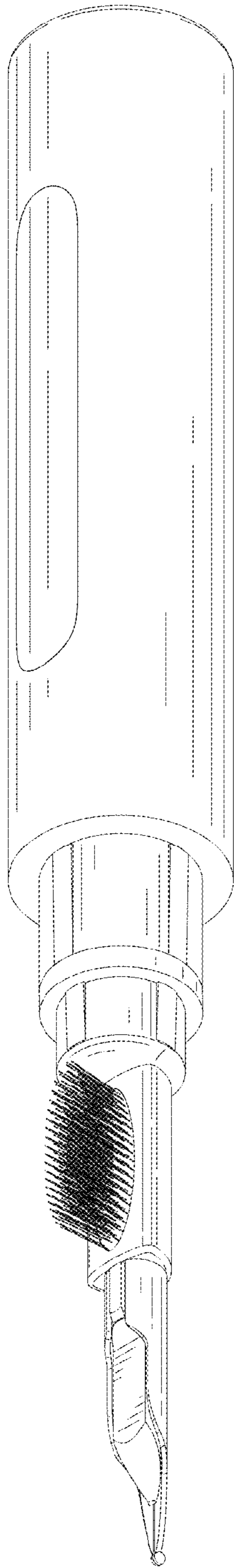


FIG. 9

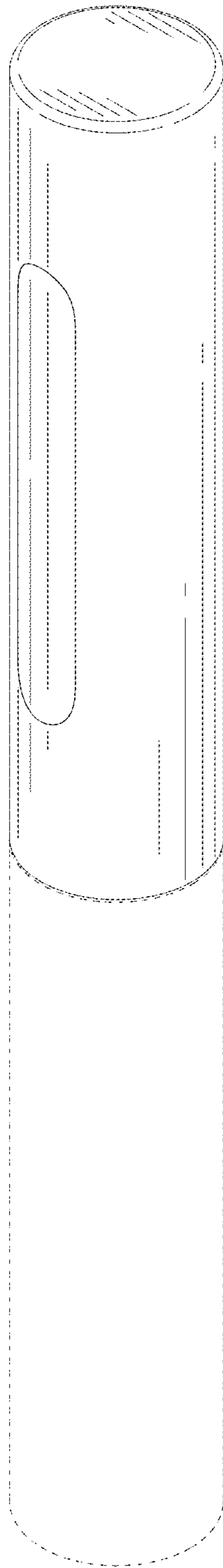


FIG. 10

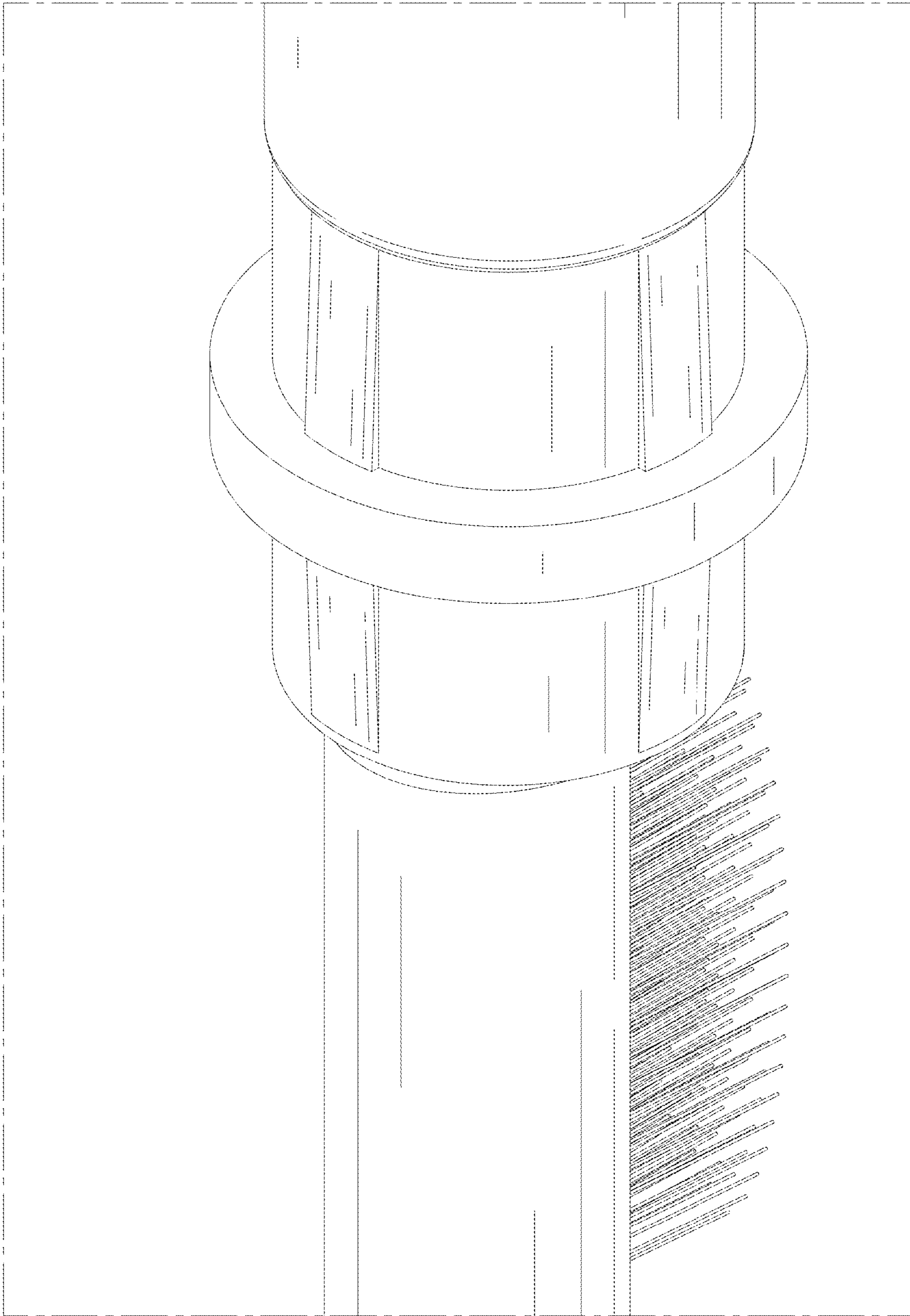


FIG. 11

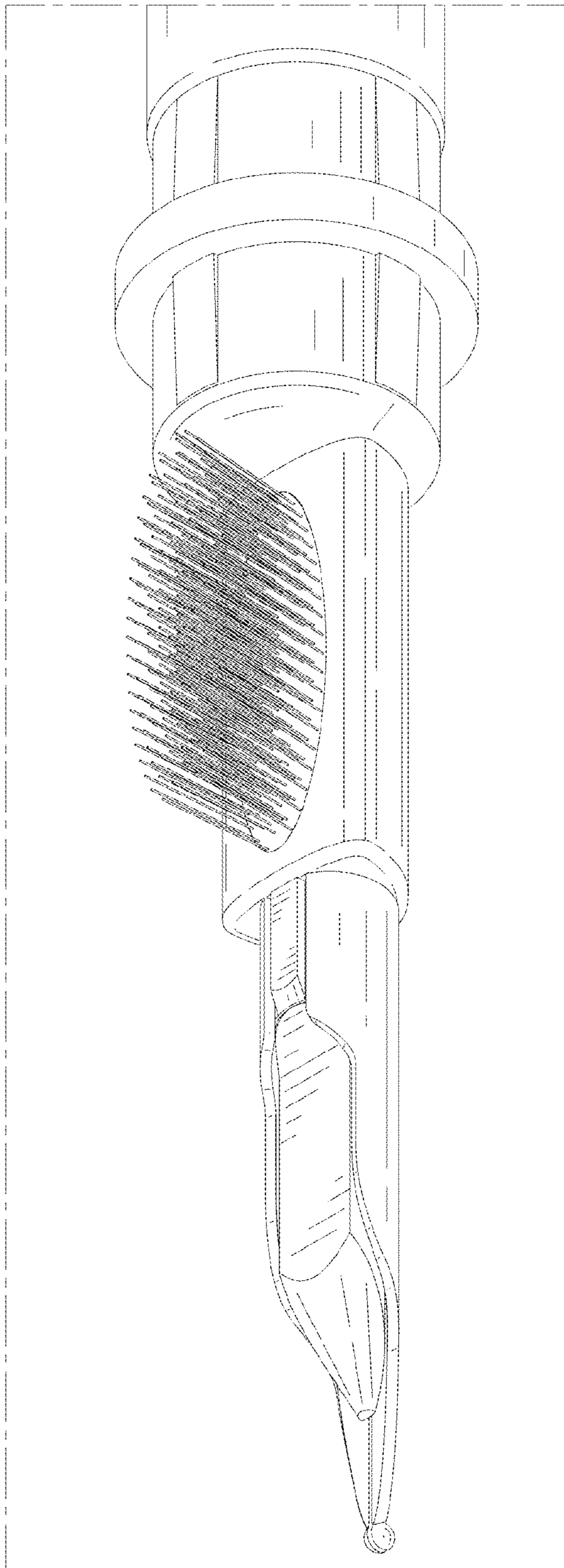


FIG. 12

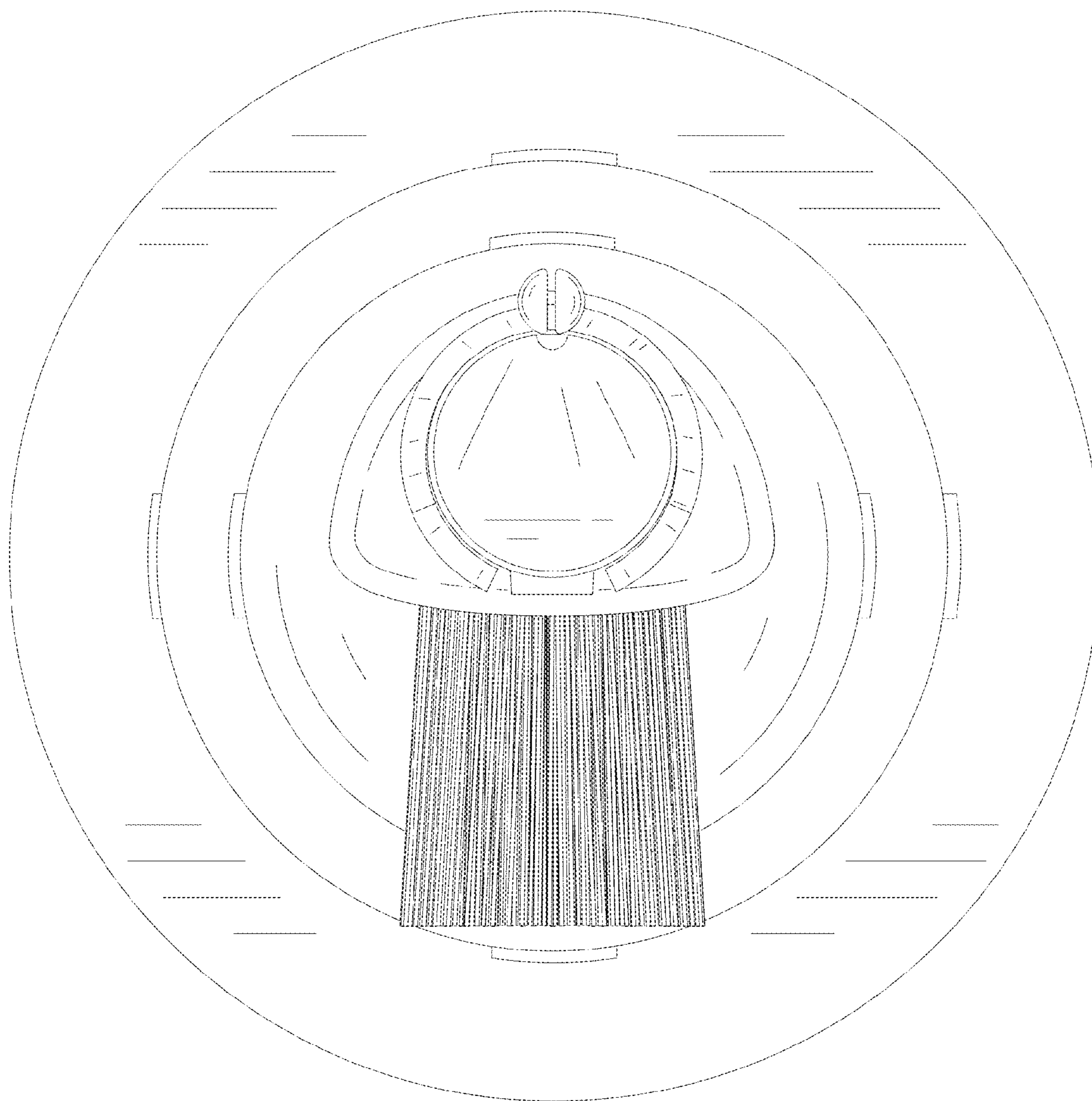


FIG. 13