



US00D981487S

(12) **United States Design Patent** (10) **Patent No.:** **US D981,487 S**
Bohrer et al. (45) **Date of Patent:** **** Mar. 21, 2023**

(54) **PEN**
(71) Applicant: **stilform GmbH**, Hamburg (DE)
(72) Inventors: **Christoph Bohrer**, Hamburg (DE);
Martin Wagner, Hamburg (DE)
(73) Assignee: **stilform GmbH**, Hamburg (DE)
(**) Term: **15 Years**
(21) Appl. No.: **29/823,385**
(22) Filed: **Jan. 17, 2022**
(51) **LOC (14) Cl.** **19-06**
(52) **U.S. Cl.**
USPC **D19/115**; D19/913
(58) **Field of Classification Search**
USPC D19/66, 70, 71, 80-85, 102-111,
D19/112-119, 120-185, 186, 187-204,
D19/901-906, 907-919, 920-924,
D19/925-930, 931-934
CPC B43K 17/005; B43K 5/005; B43K 7/12;
B43K 8/04; B43K 8/06; B43K 19/00;
B43K 19/02; B43K 19/14; B43K 21/006;
B43K 21/06; A45D 40/02
See application file for complete search history.

D294,263 S 2/1988 Rodgers et al.
D302,564 S * 8/1989 Wiener 401/35
D342,279 S * 12/1993 Anavil D19/186
D387,088 S * 12/1997 Tseng D19/917
D391,292 S * 2/1998 Kuo D19/174
D416,042 S 11/1999 Burkhardt
D614,623 S 4/2010 Crisp et al.
(Continued)

FOREIGN PATENT DOCUMENTS

CN 305878899 * 6/2020

OTHER PUBLICATIONS

Minimalist Aluminum Pencil posted by Penxo posted date May 12, 2015, © Design Boom, [online], [site visited Aug. 30, 2022]. Available from Internet, <https://www.designboom.com/design/penxo-aluminum-pencil-05-12-2015/> (Year: 2015).*
(Continued)

Primary Examiner — Garth Rademaker
Assistant Examiner — Laura H Yu
(74) *Attorney, Agent, or Firm* — Smartpat PLC

(57) **CLAIM**

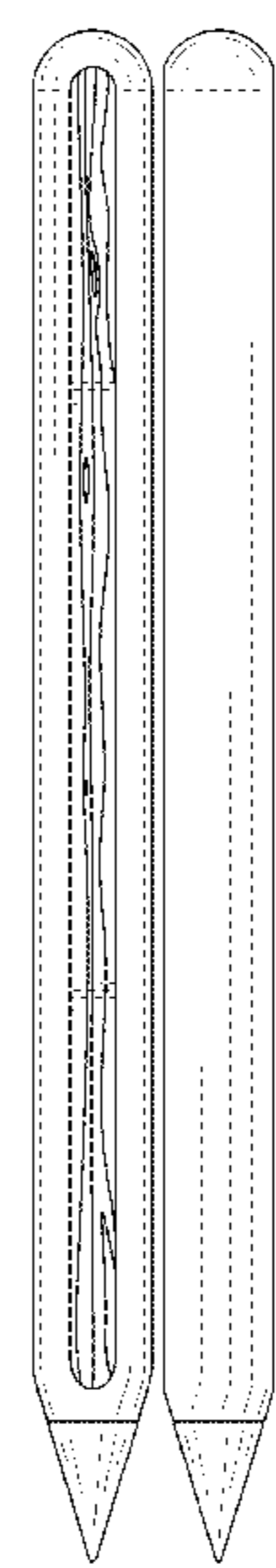
We claim the ornamental design for a pen, as shown and described.

DESCRIPTION

FIG. 1 is a top, rear, right side perspective view of a pen showing our new design;
FIG. 2 is a top, front, right side perspective view thereof;
FIG. 3 is a top view thereof;
FIG. 4 is a right side view thereof;
FIG. 5 is a bottom view thereof;
FIG. 6 is a left side view thereof;
FIG. 7 is a rear view thereof; and,
FIG. 8 is front view thereof.

1 Claim, 3 Drawing Sheets

(56) **References Cited**
U.S. PATENT DOCUMENTS
2,249,163 A * 7/1941 Nissen, Jr. B43K 7/035
401/214
D129,159 S * 8/1941 Dreyfuss D19/925
2,428,960 A * 10/1947 Cloutier B43K 7/02
D19/179
D188,972 S * 10/1960 Young D19/186
3,249,092 A * 5/1966 Moojen B43K 19/14
401/84
4,217,712 A 8/1980 Koeln
D261,678 S 11/1981 Mann
D269,684 S * 7/1983 Luntz D19/933
D277,682 S * 2/1985 Luntz D19/927



(56)

References Cited

U.S. PATENT DOCUMENTS

8,292,534 B2 * 10/2012 Nakatani B43K 17/005
401/259
D670,700 S 11/2012 Halsinger et al.
D727,325 S 4/2015 Spector
D771,630 S * 11/2016 Akana D14/411
D772,876 S 11/2016 Akana et al.
D788,109 S 5/2017 Kuan-her et al.
D789,370 S * 6/2017 Akana D14/411
D802,592 S 11/2017 Varghese et al.
D823,944 S 7/2018 Bohrer et al.
D825,566 S 8/2018 Peterson et al.
D826,230 S 8/2018 Peterson et al.
D829,820 S 10/2018 Bohrer et al.
D829,821 S * 10/2018 Xie D19/166
D863,436 S 10/2019 Thies
D884,788 S 5/2020 Bohrer et al.
D896,810 S 9/2020 Akana et al.
D915,404 S 4/2021 Lai

D918,912 S * 5/2021 Akana D14/411
D921,631 S 6/2021 Huang
D921,632 S 6/2021 Huang
D936,652 S 11/2021 Cen
D936,653 S * 11/2021 Huang D14/411
D936,655 S 11/2021 Wu
D939,503 S 12/2021 Yum
D942,453 S * 2/2022 Akana D14/411
D956,050 S * 6/2022 Liu D14/411
D956,754 S * 7/2022 Chen D14/411
2005/0095054 A1 5/2005 Canale

OTHER PUBLICATIONS

Everlasting Pencil posted by Stilform Aeon posted date unknown,
© Kick Starter, [online], [site visited Aug. 30, 2022]. Available from
Internet, <https://www.kickstarter.com/projects/stilform/aeon> (Year:
2022).*

* cited by examiner

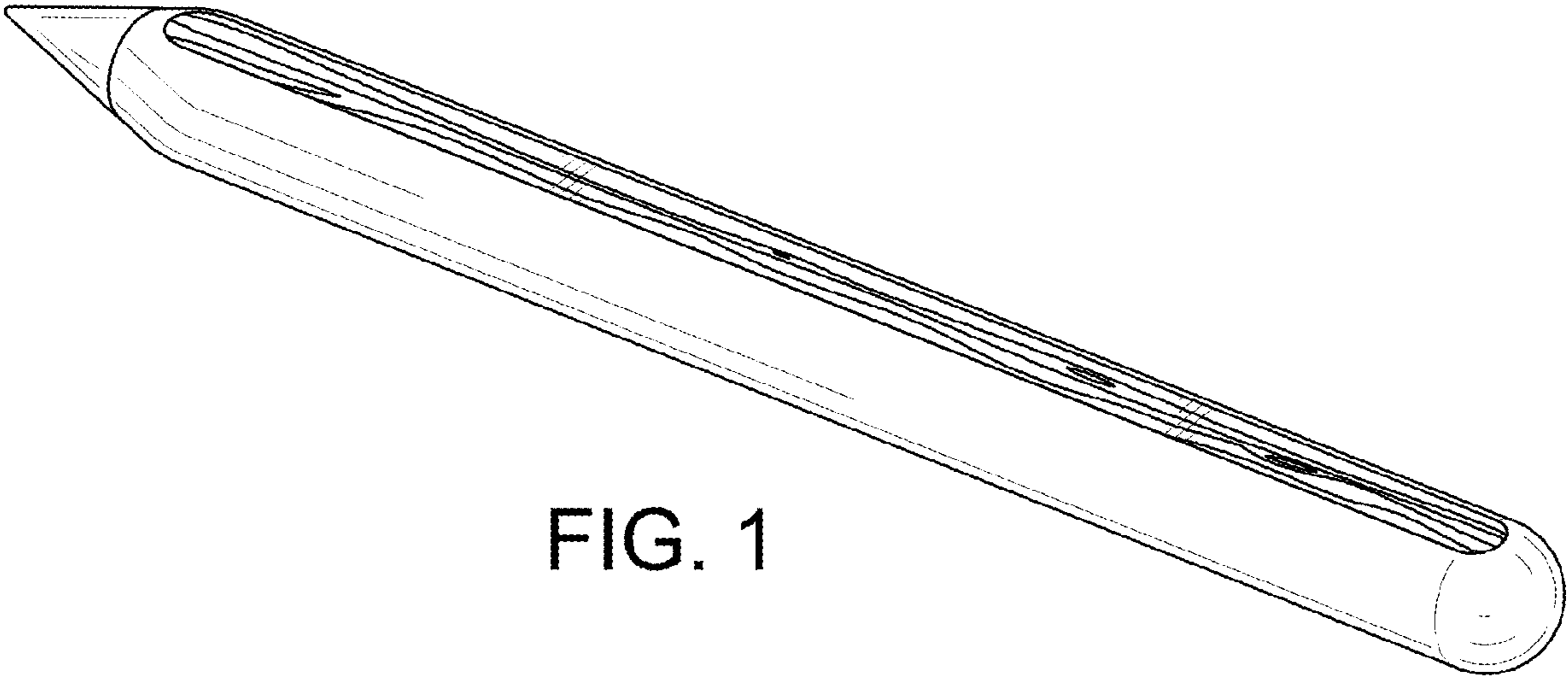


FIG. 1

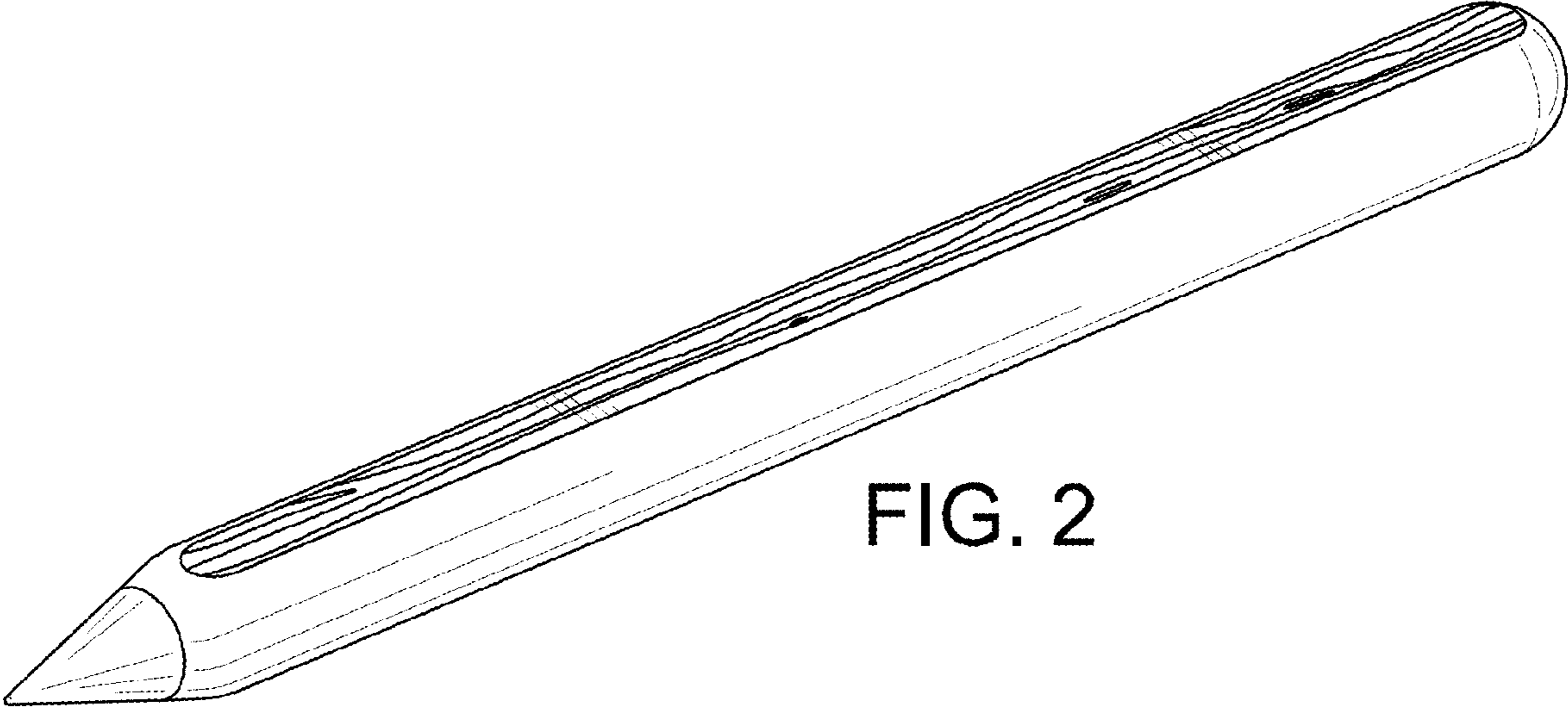


FIG. 2

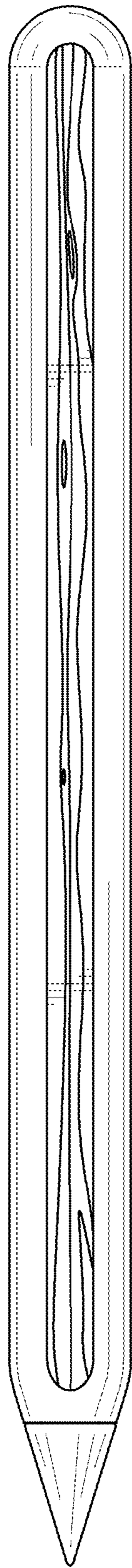


FIG. 3

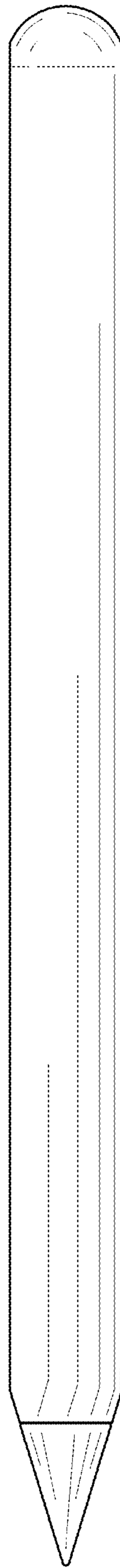


FIG. 4

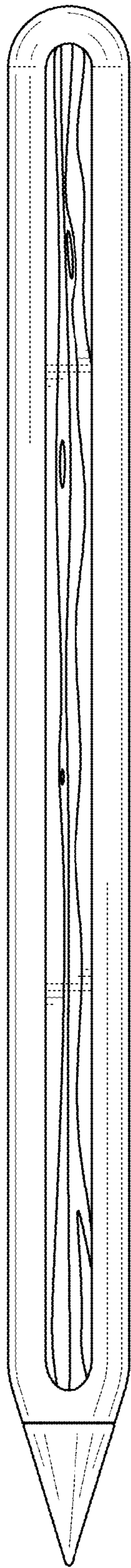


FIG. 5

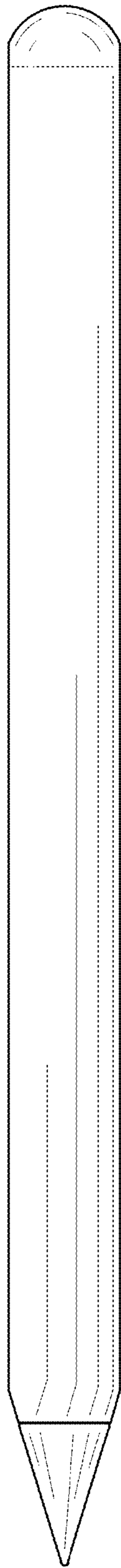


FIG. 6

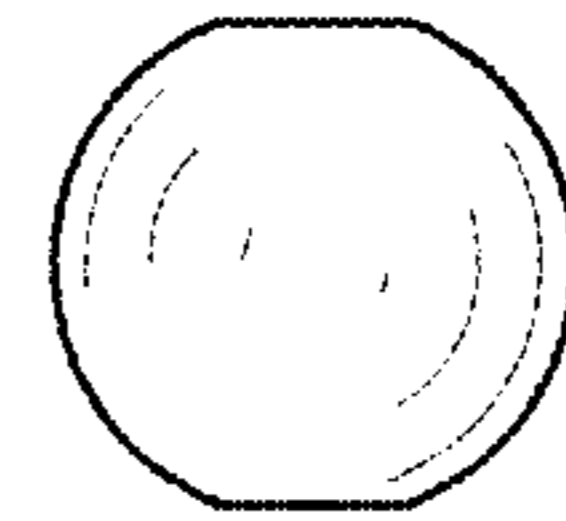


FIG. 7

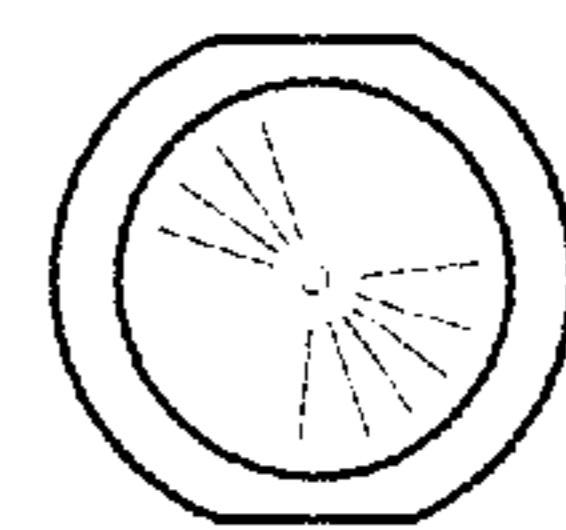


FIG. 8