



US00D981486S

(12) **United States Design Patent**
Fridman et al.

(10) **Patent No.:** **US D981,486 S**
(45) **Date of Patent:** **** Mar. 21, 2023**

(54) **STORAGE BOX**

(71) Applicant: **ZIP IT LTD.**, Tel Aviv (IL)

(72) Inventors: **Felix Fridman**, Holon (IL); **Itamar Menashe Shoham Cohen**, Yosef (IL)

(73) Assignee: **ZIP IT LTD.**, Tel Aviv (IL)

(**) Term: **15 Years**

(21) Appl. No.: **29/789,088**

(22) Filed: **Aug. 30, 2021**

(51) **LOC (14) Cl.** **19-07**

(52) **U.S. Cl.**
USPC **D19/75**; D7/629

(58) **Field of Classification Search**

USPC D7/601–603, 605, 759–761, 629–630,
D7/637, 368, 7, 392.1, 555, 708.1;
D9/414–416, 424–425, 430–432, 420,
D9/418; D19/75

CPC .. B65D 25/2873; B65D 25/18; B65D 25/205;
B65D 25/289; B65D 25/14; B65D 25/20;
B65D 25/22; B65D 25/2826; B65D
25/02; B65D 25/2885; B65D 25/2891;
B65D 25/30; B65D 25/545; B65D
25/287; B65D 25/24; B65D 25/01; B65D
25/00; B65D 25/32; B65D 25/10; B65D
25/102; B65D 25/282; B65D 25/54;
B65D 25/2858; B65D 11/02; B65D
11/10; B65D 11/826; B65D 11/00; B65D
21/0201; B65D 21/0213; B65D 21/86;
B65D 5/36; B65D 5/5028; B65D 5/68;
B65D 5/02; B65D 47/0857; B65D 7/44;
B65D 85/00; B65D 85/06; B65D 85/18;
B65D 85/182; B65D 85/68; B65D
2501/00; B65D 2583/00; B65D 13/00;
A45F 3/02; A45F 3/0414; A45F 3/00;
A45F 3/005; A45F 3/12; A45F 3/47;
A45F 3/08; A45F 3/10; A45F 3/42; A45F
3/20; A45F 3/06; A45F 3/16; A45F 3/15;
A45F 3/22; A45F 3/44; A45F 3/18; A45F
2003/142; A45F 2003/025; A45F

2003/003; A45F 2003/045; A45F
2003/146; A45F 2003/002; A45F
2003/006; A45F 2003/007; A45F
2003/148; A45F 2003/166; A45F
(Continued)

(56) **References Cited**

U.S. PATENT DOCUMENTS

D607,701 S * 1/2010 Pedrazzi D7/709
D763,629 S * 8/2016 Swartz D7/629
(Continued)

OTHER PUBLICATIONS

Cra-Z-Art Plastic School Box, date posted: unknown [online],
[retrieved Nov. 29, 2022]. Retrieved from internet, https://www.zerbee.com/Products/Cra-Z-Art-Plastic-School-Box-2-316andrdquo-H-x-5-316andrdquo-W-x-8andrdquo-D--Clear__2835962.aspx on Nov. 29, 2022.*

(Continued)

Primary Examiner — Shannon W Morgan
Assistant Examiner — Terilyn Nicole Davis
(74) *Attorney, Agent, or Firm* — Vorys, Sater, Seymour
and Pease LLP; Anthony P. Venturino; Maryellen Feehery
Hank

(57) **CLAIM**

The ornamental design for a storage box, as shown and
described.

DESCRIPTION

FIG. 1 is a perspective view of a new design for a storage
box, in a closed position;
FIG. 2 is a perspective view thereof, in an open position;
FIG. 3 is a top view thereof;
FIG. 4 is a bottom view thereof;
FIG. 5 is a rear view thereof;
FIG. 6 is a front view thereof;

(Continued)

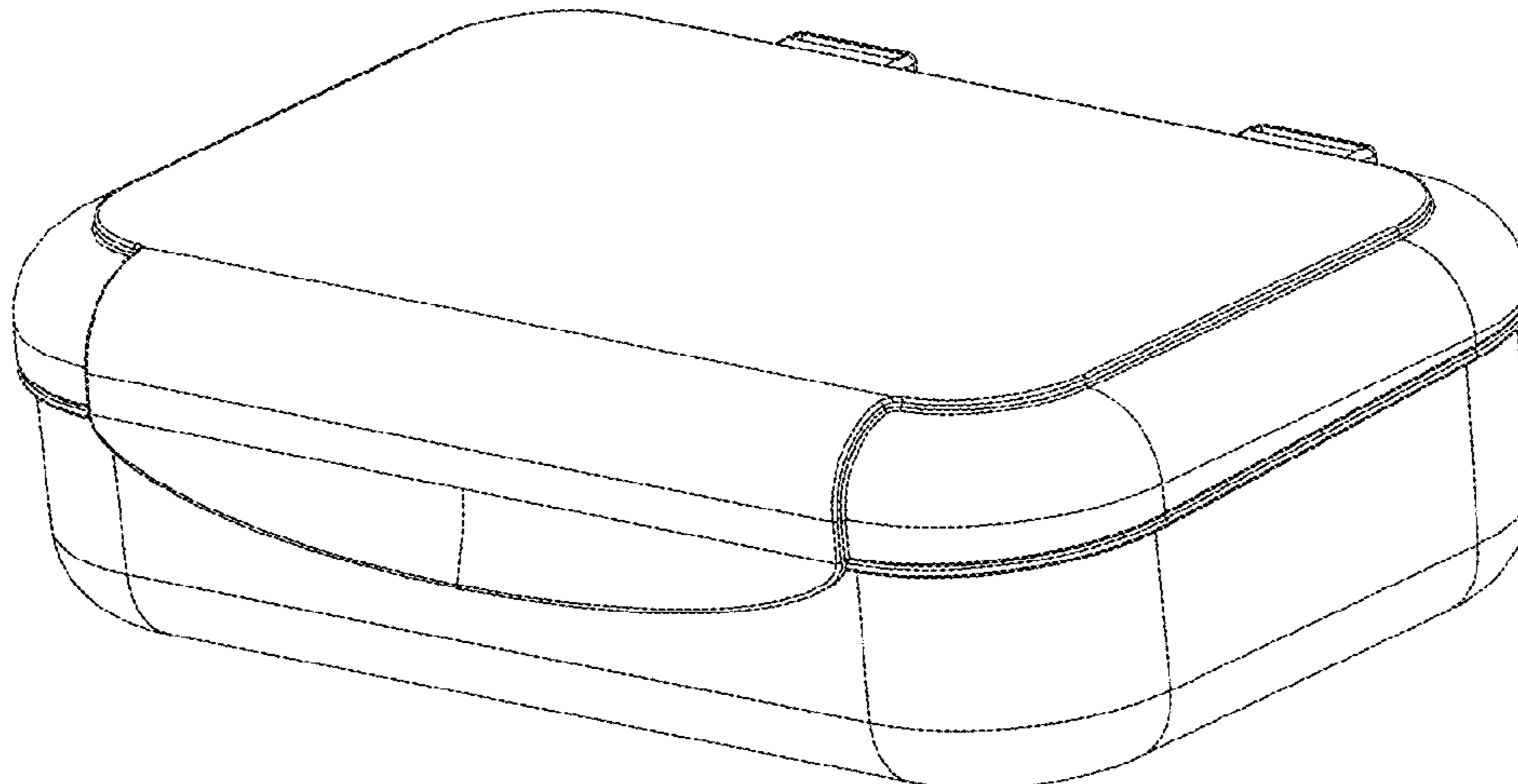


FIG. 7 is a right side view thereof; and,
FIG. 8 is a left side view thereof.

1 Claim, 8 Drawing Sheets

5500/0541; A45F 2200/00; A45F
2004/023; A45F 2004/002; A45F
2004/026; A45F 2004/006

See application file for complete search history.

(58) Field of Classification Search

CPC .. 2003/008; A45F 2003/163; A45F 2003/125;
A45F 2003/127; A45F 2003/001; A45F
2003/144; A45F 4/02; A45F 4/00; A45F
4/12; A45F 4/06; A45F 4/04; A45F 4/10;
A45F 4/08; A45F 2005/006; A45F
2005/008; A45F 2005/1013; A45F
2005/1073; A45F 2005/1033; A45F
2005/002; A45F 2005/104; A45F
2005/027; A45F 2005/026; A45F
2005/125; A45F 2005/108; A45F
2005/025; A45F 2005/1066; A45F
2005/1093; A45F 2005/23; A45F 5/021;
A45F 5/02; A45F 5/1026; A45F 5/10;
A45F 5/004; A45F 5/102; A45F 5/12;
A45F 5/1046; A45F 5/22; A45F 5/14;
A45F 5/06; A45F 5/08; A45F 2200/0516;
A45F 2200/0525; A45F 2200/0583; A45F
2200/075; A45F 2200/0566; A45F
2200/0533; A45F 2200/0591; A45F
2200/05; A45F 2200/0508; A45F
2200/0558; A45F 2200/055; A45F

(56)

References Cited

U.S. PATENT DOCUMENTS

D880,957	S	*	4/2020	Xu	D7/629
D882,359	S	*	4/2020	Xu	D7/709
D911,117	S	*	2/2021	Xu	D7/602
D953,128	S	*	5/2022	Swartz	D7/703
2011/0114526	A1	*	5/2011	Neumann	A45C 11/20 206/459.5
2021/0316911	A1	*	10/2021	Chen	B65D 17/401
2021/0345743	A1	*	11/2021	Ribeiro Ruiz	A47J 36/2483

OTHER PUBLICATIONS

Sterilite Neon Pink Pencil Case Box, first available: Jul. 29, 2015 [online], [retrieved Nov. 29, 2022]. Retrieved from internet, <https://www.amazon.com/Sterilite-Neon-Pink-Pencil-Case/dp/B012YFWMH2/> on Nov. 29, 2022.*
Nuozme Plastic Translucent Pencil Box for Kids, first available: May 25, 2021 [online], [retrieved Nov. 29, 2022]. Retrieved from internet, <https://www.amazon.com/Nuozme-Translucent-Capacity-Stackable-Organizer/dp/B091YPR53N/> on Nov. 29, 2022.*

* cited by examiner

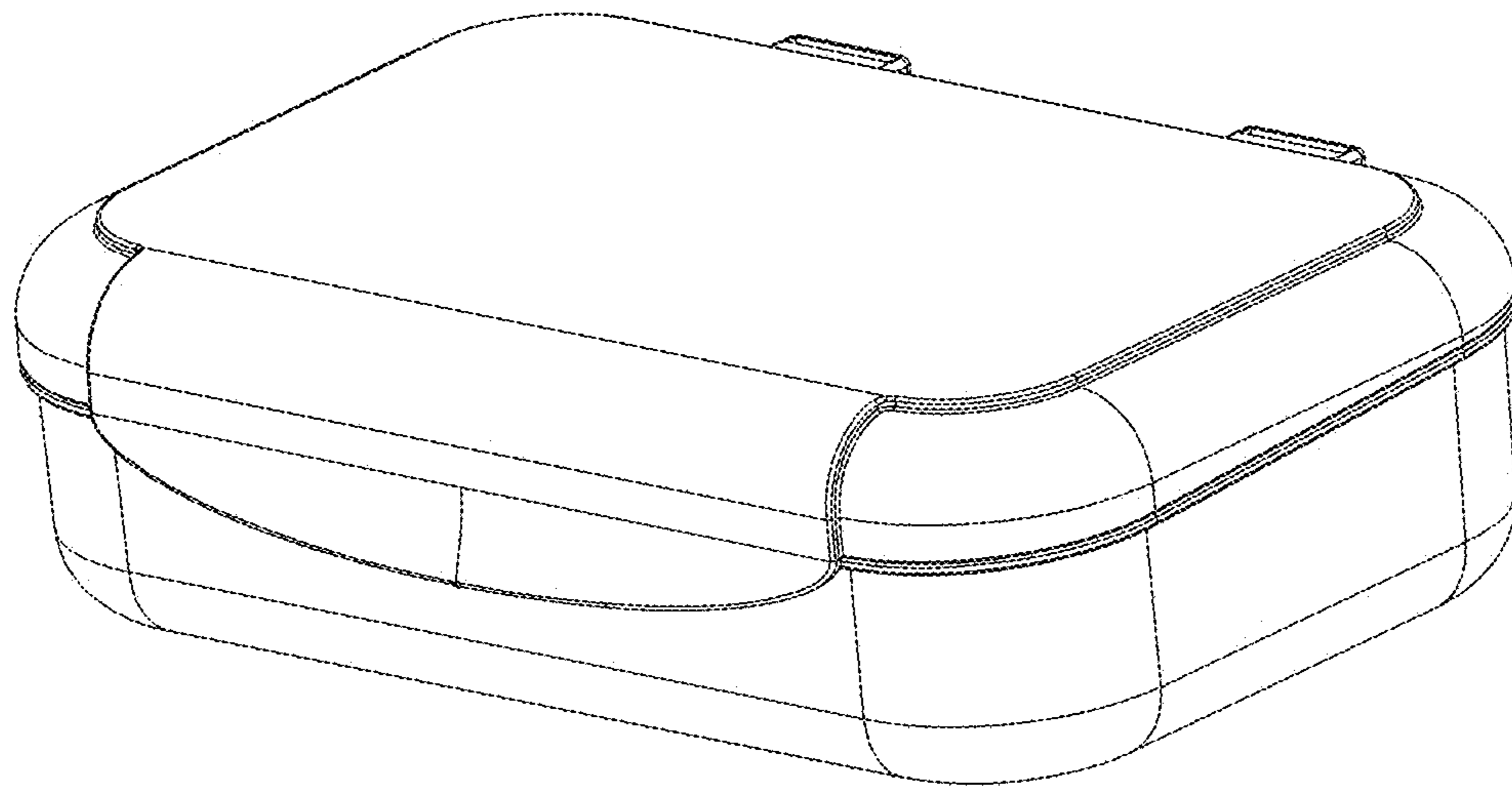


Fig. 1

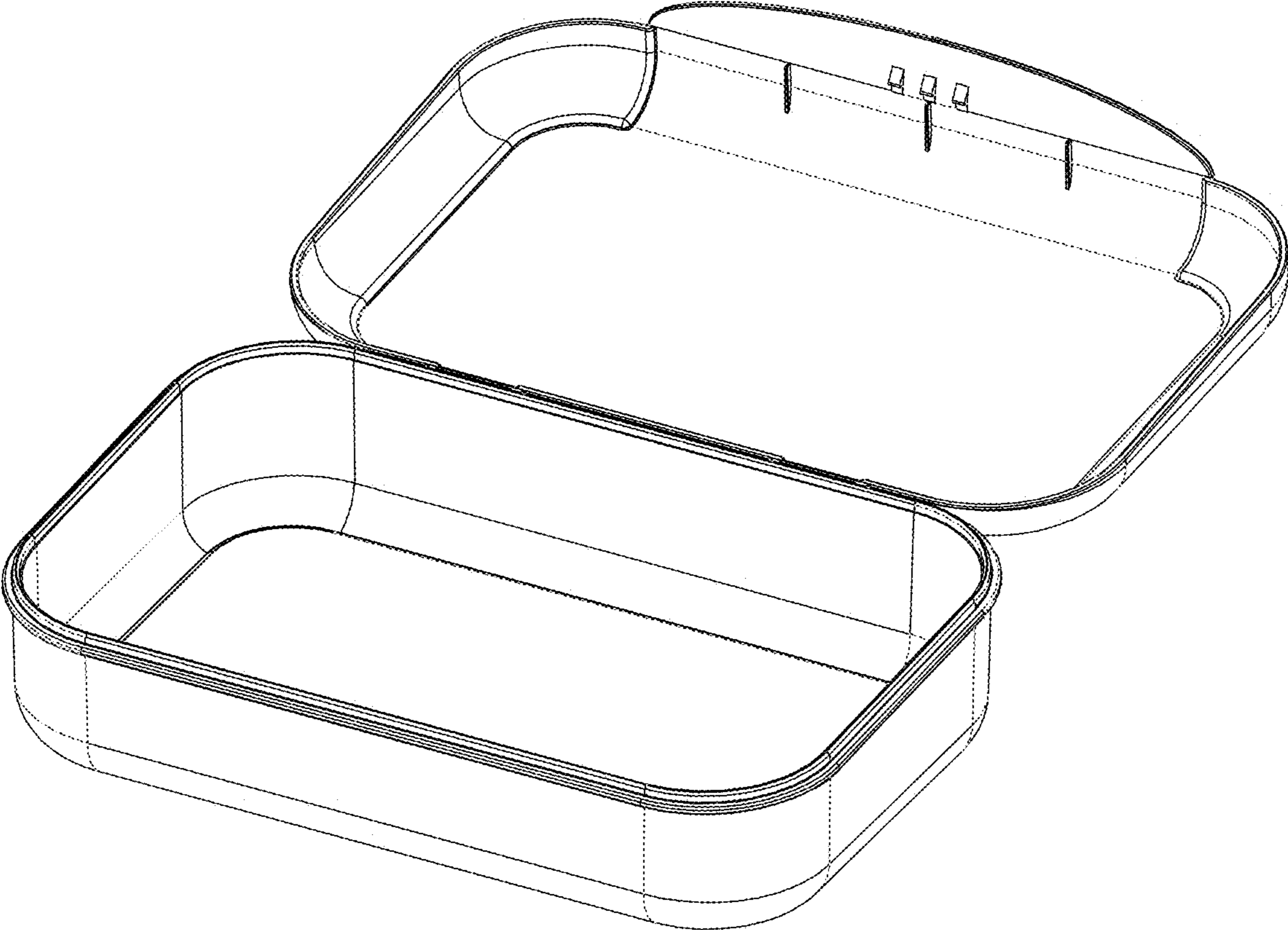


Fig. 2

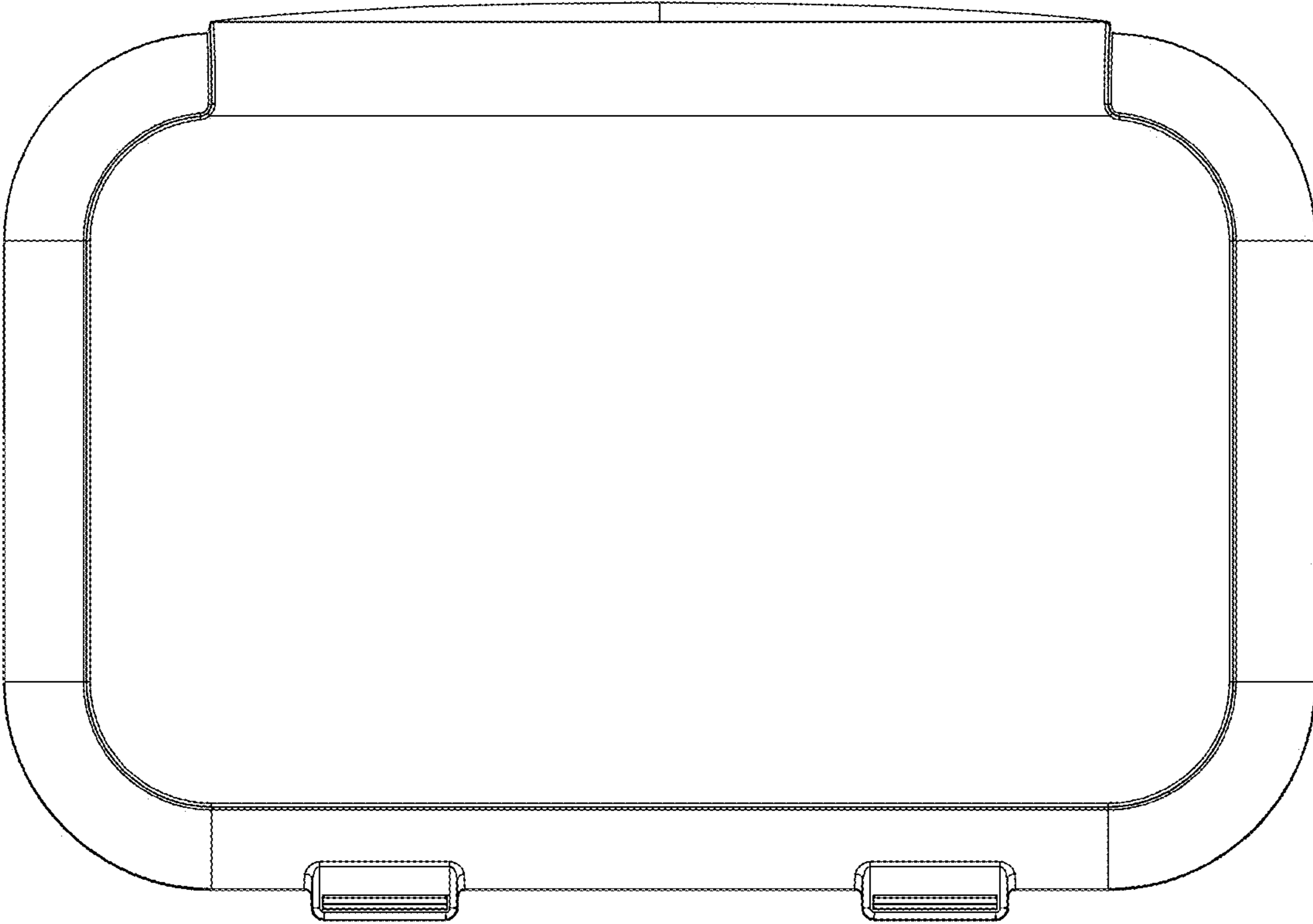


Fig. 3

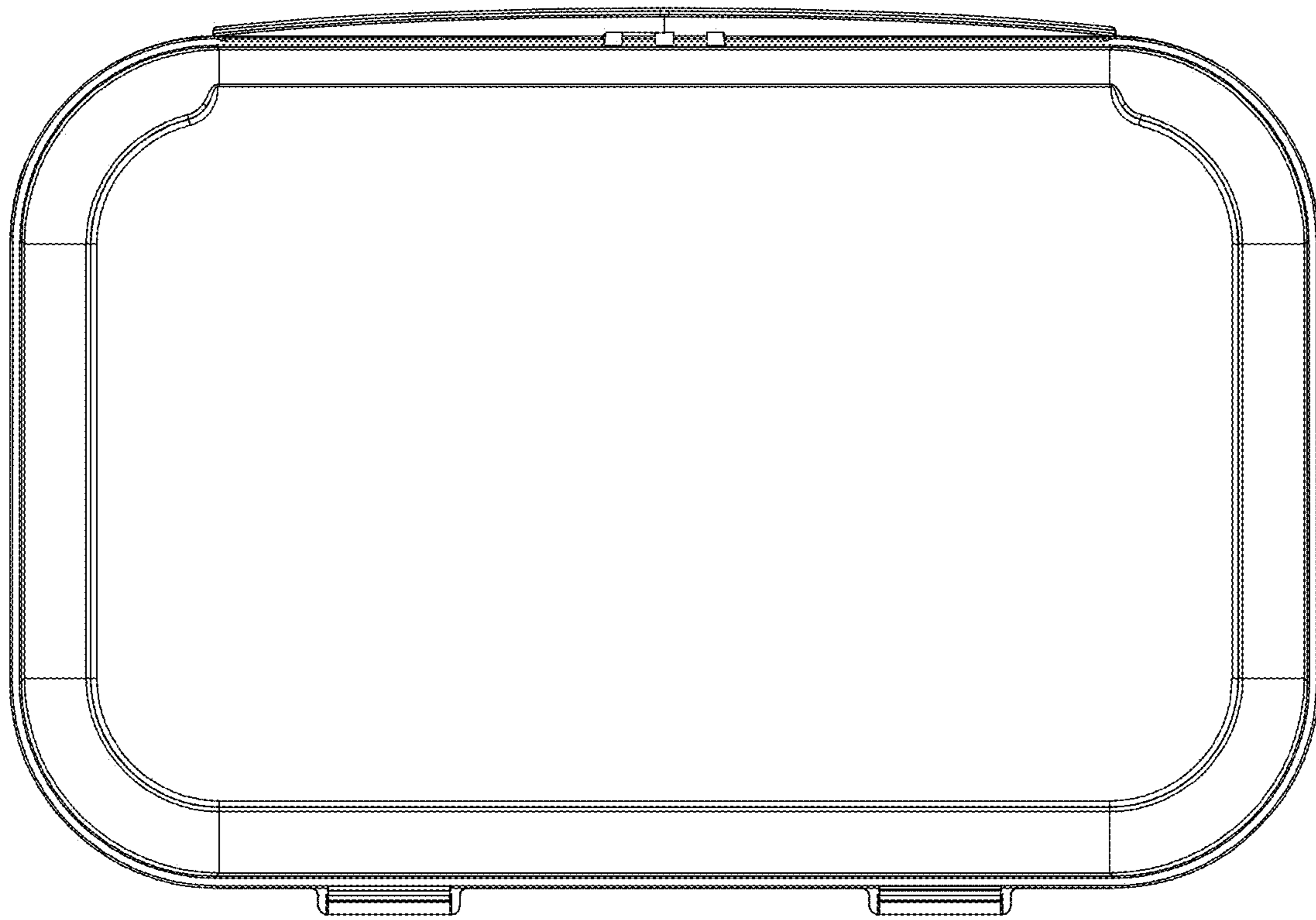


Fig. 4

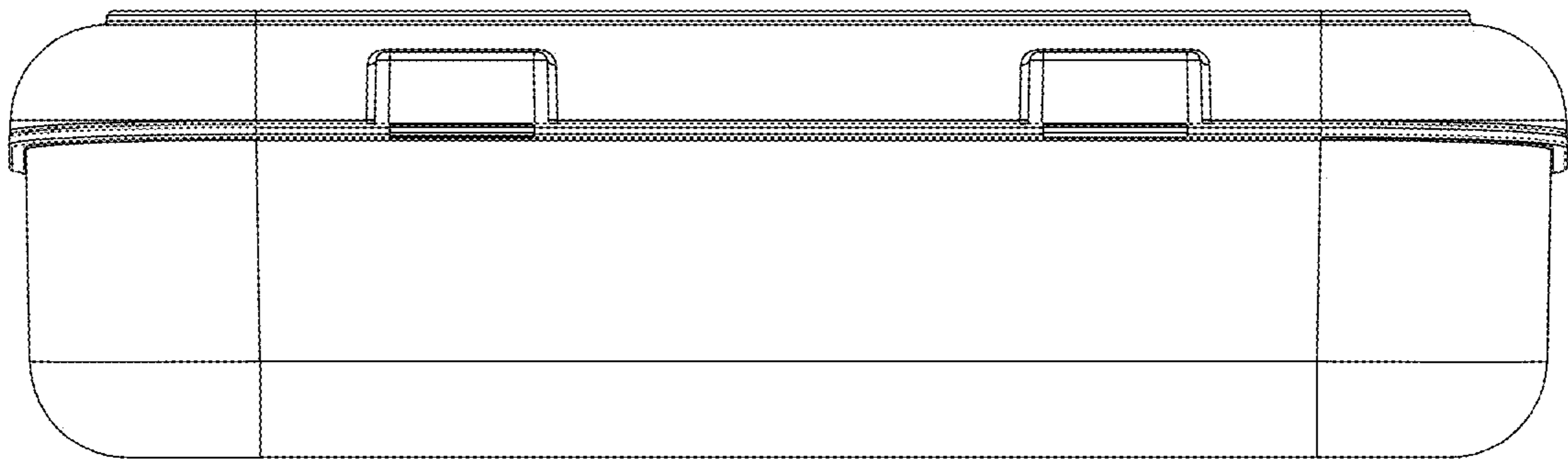


Fig. 5

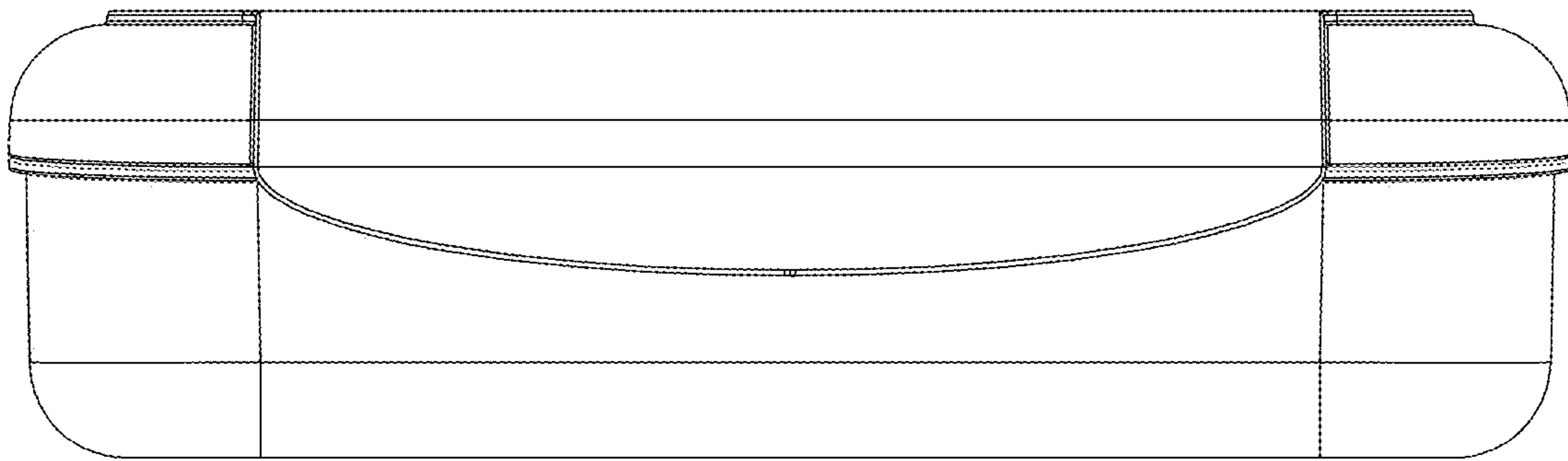


Fig. 6

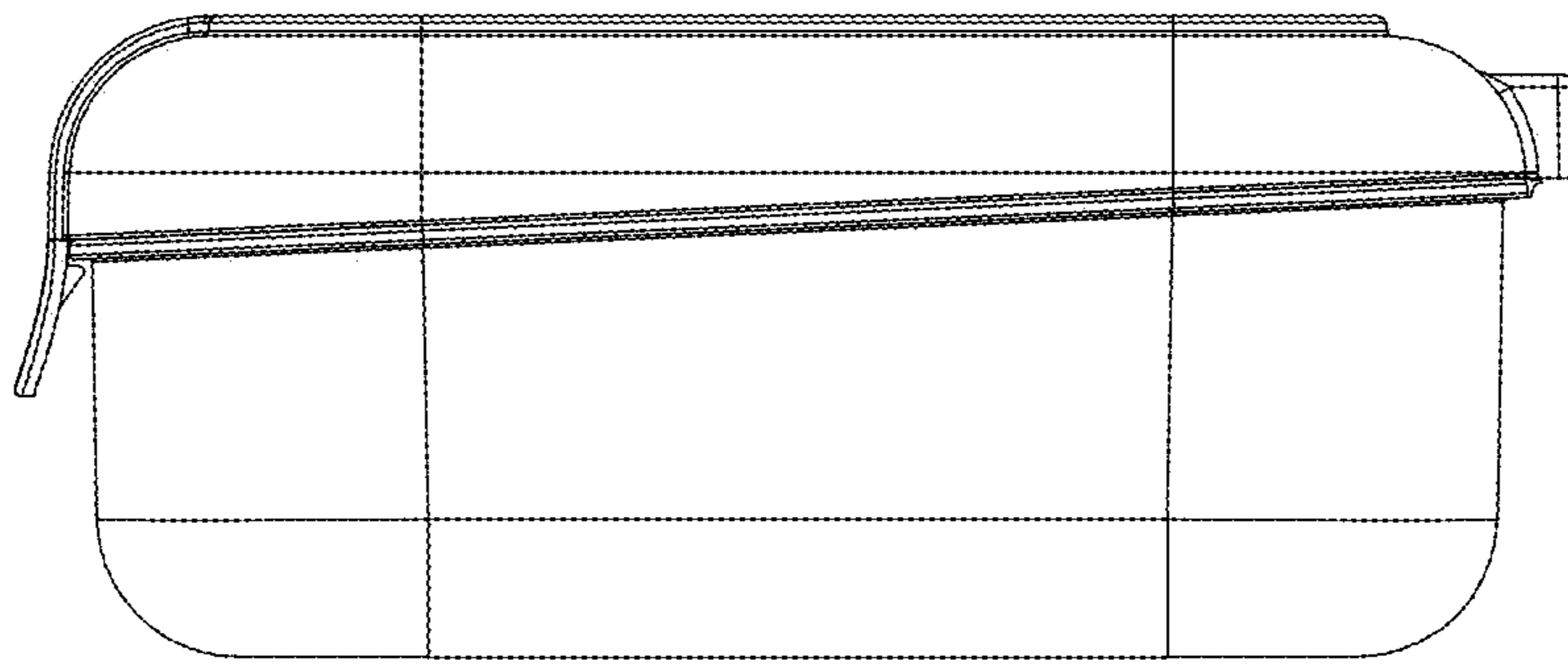


Fig. 7

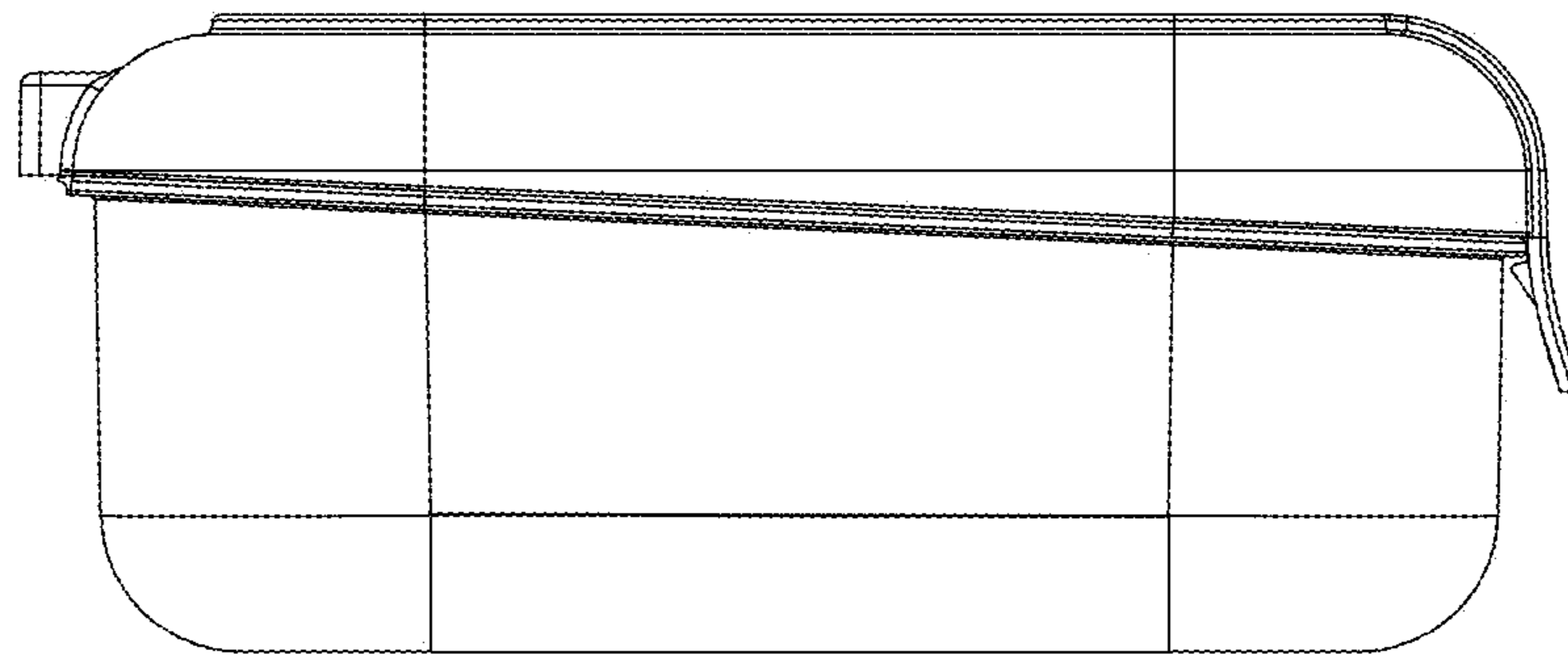


Fig. 8