



US00D981480S

(12) **United States Design Patent**
Urabe et al.

(10) **Patent No.:** **US D981,480 S**
(45) **Date of Patent:** **** Mar. 21, 2023**

(54) **PRINTER**

(71) Applicant: **OKI ELECTRIC INDUSTRY CO., LTD.**, Tokyo (JP)

(72) Inventors: **Tomoya Urabe**, Tokyo (JP); **Shiro Ino**, Tokyo (JP); **Katsuhiko Yamaguchi**, Tokyo (JP); **Morihito Saigusa**, Tokyo (JP)

(73) Assignee: **OKI ELECTRIC INDUSTRY CO., LTD.**, Tokyo (JP)

(**) Term: **15 Years**

(21) Appl. No.: **29/736,150**

(22) Filed: **May 28, 2020**

(30) **Foreign Application Priority Data**

Jan. 10, 2020 (JP) 2020000358 D

(51) **LOC (14) Cl.** **14-02**

(52) **U.S. Cl.**
USPC **D18/50**

(58) **Field of Classification Search**
USPC D14/300, 301, 302, 303, 307, 308, 314, D14/321, 365, 445, 446; D18/4.1, 4.4, D18/4.6, 34.1, 6, 7, 14, 19, 34.3, 34.7, D18/34.8, 34.9, 36, 37, 38, 39, 46, 47, D18/48, 49, 50, 53, 54, 55, 56
CPC H04N 1/00278; B26D 1/045; B26D 1/065; B41J 15/044; B41J 2/1752; B41J 29/02; G06F 3/02

See application file for complete search history.

(56) **References Cited**

U.S. PATENT DOCUMENTS

D534,579 S * 1/2007 Yamaguchi D18/55
D552,170 S * 10/2007 Kim D18/55
D554,698 S * 11/2007 Miller D18/55
D576,202 S * 9/2008 Falk D18/55

D607,048 S * 12/2009 Egami D18/55
D633,557 S * 3/2011 Egami D18/55
D639,847 S * 6/2011 Nakata D18/50
D693,873 S * 11/2013 Fukasawa D18/55
D696,717 S * 12/2013 Kim D18/55
D697,965 S * 1/2014 Fukasawa D18/55
8,792,803 B2 * 7/2014 Imai G03G 21/1633
399/125
D724,141 S * 3/2015 Kim D18/55
D725,184 S * 3/2015 Kim D18/55

(Continued)

FOREIGN PATENT DOCUMENTS

JP D1568037 * 1/2017

OTHER PUBLICATIONS

Oki C711DN Color Laser Printer, p. 3, 2017, Amazon.com_29736150—
<https://www.amazon.com/C711DN-Color-Laser-Printer-34PPM/dp/B003DM0408> (Year: 2017).*

Primary Examiner — Jennifer L Rempfer
Assistant Examiner — Danielle Nichole Bowly
(74) *Attorney, Agent, or Firm* — Posz Law Group, PLC

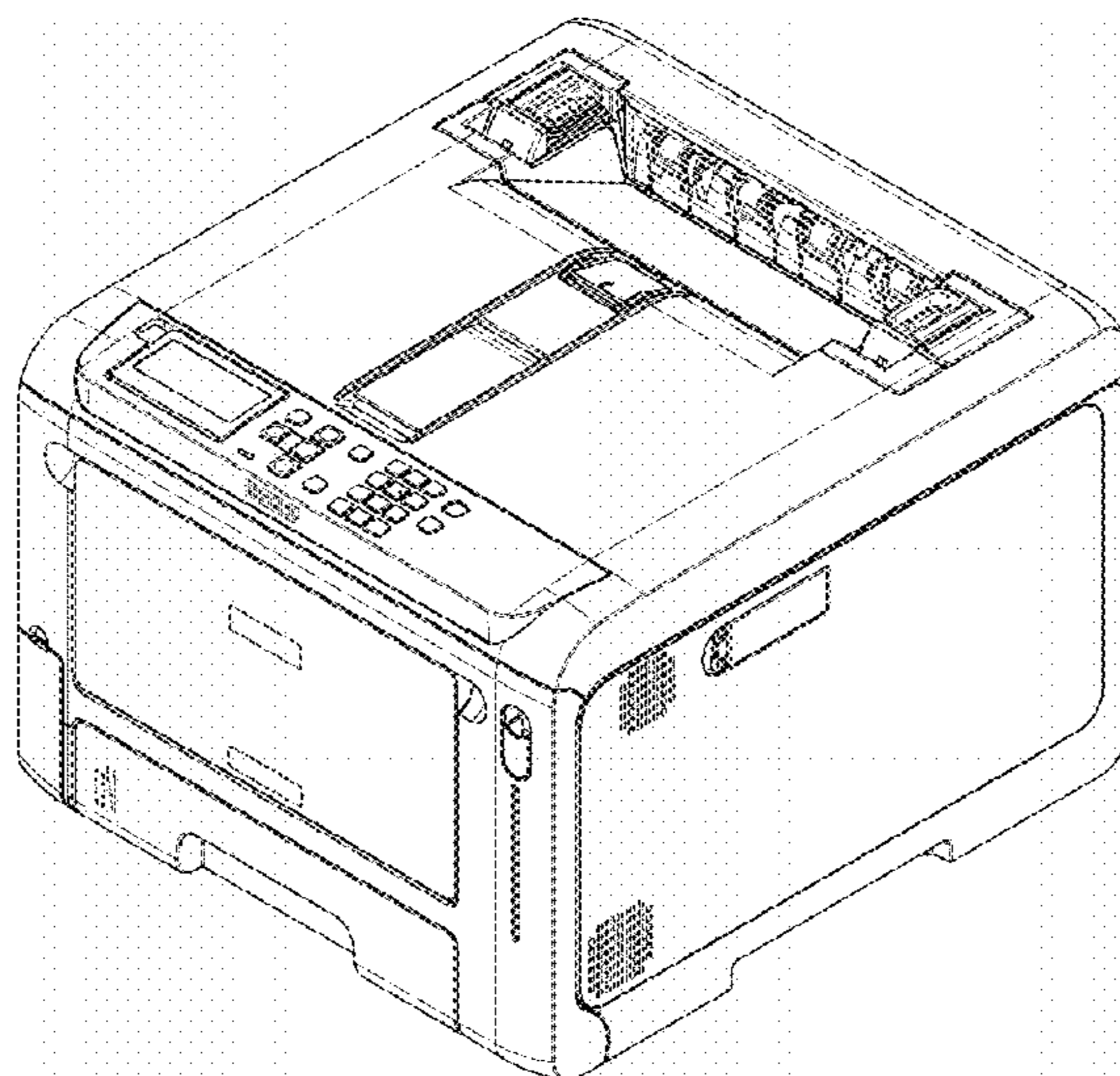
(57) **CLAIM**

The ornamental design for a printer, as shown and described.

DESCRIPTION

FIG. 1 is a perspective view of top, front, and right side of a printer;
FIG. 2 is a front view thereof;
FIG. 3 is a rear view thereof;
FIG. 4 is a right side view thereof;
FIG. 5 is a left side view thereof;
FIG. 6 is a top plan view thereof; and,
FIG. 7 is a bottom plan view thereof.
The broken lines shown and the areas within the broken lines represent unclaimed subject matter and form no part of the claimed design.

1 Claim, 7 Drawing Sheets



(56)

References Cited

U.S. PATENT DOCUMENTS

D765,772 S * 9/2016 Clark, III D18/55
D803,286 S * 11/2017 Egami D15/148
D806,162 S * 12/2017 Tashima D18/50
D806,791 S * 1/2018 Tashima D18/50
D810,194 S * 2/2018 Kim D18/50
D818,534 S * 5/2018 Mita D18/55
10,942,488 B2 * 3/2021 Takahashi G03G 21/206

* cited by examiner

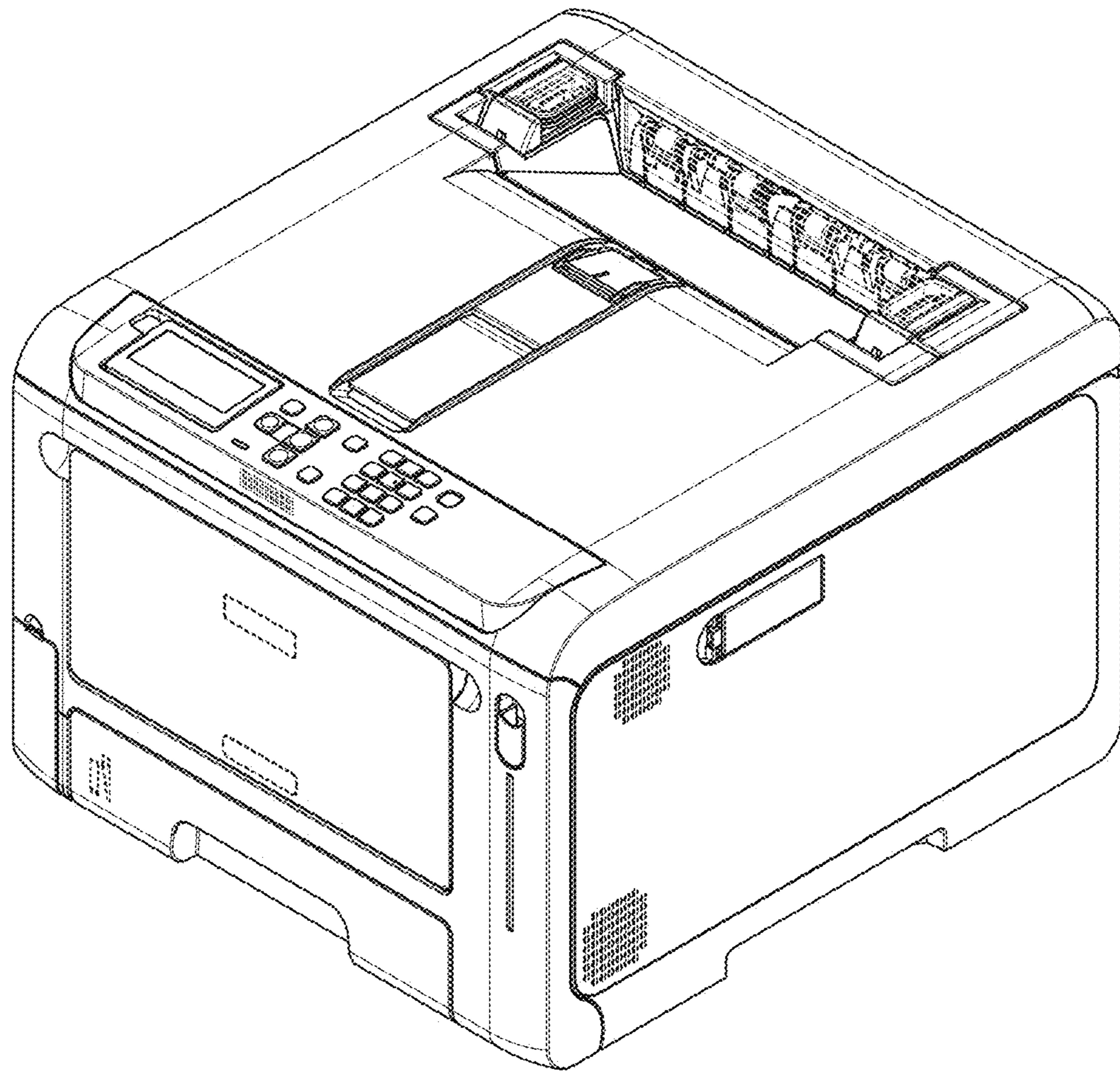


FIG. 1

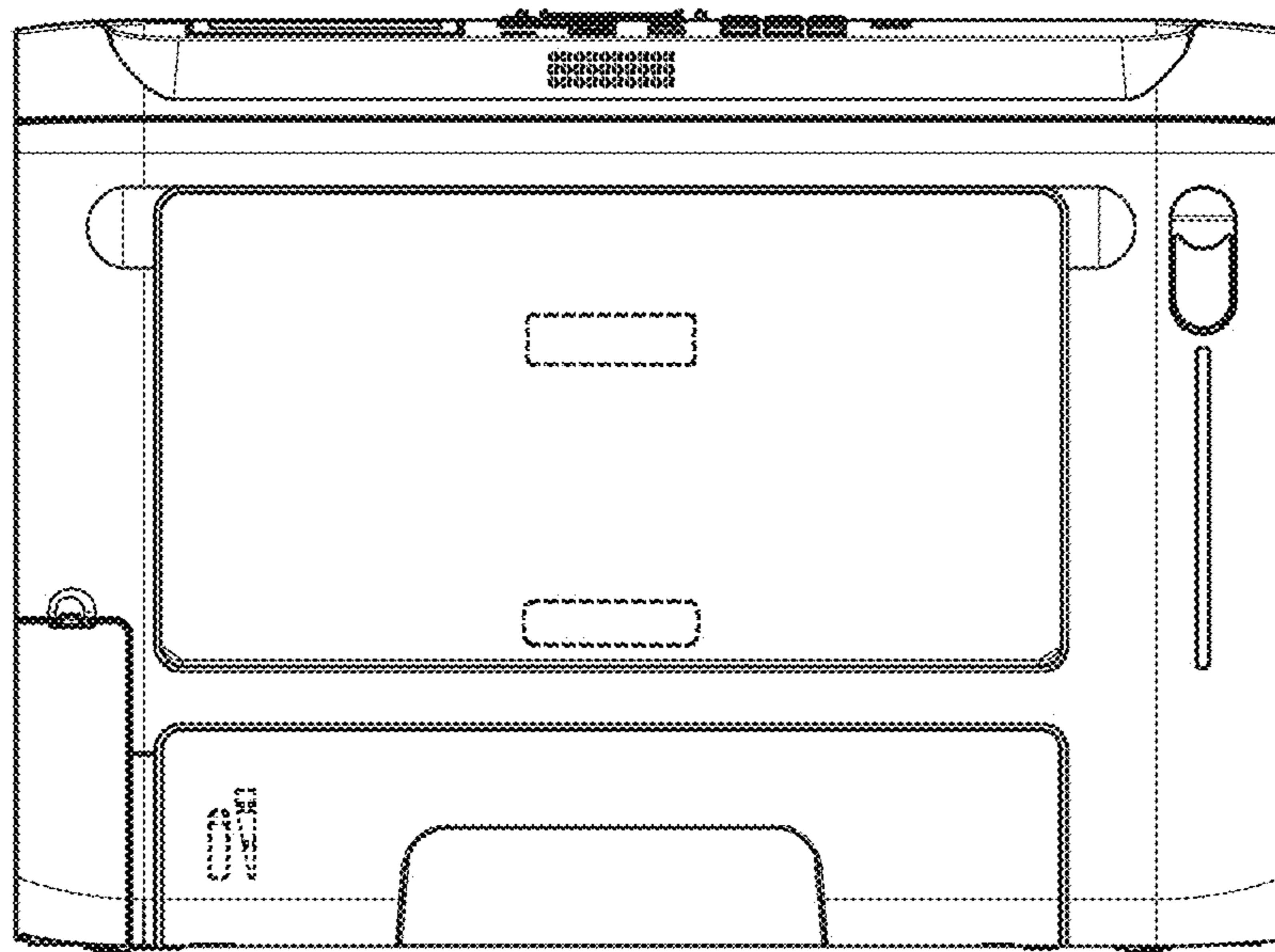


FIG. 2

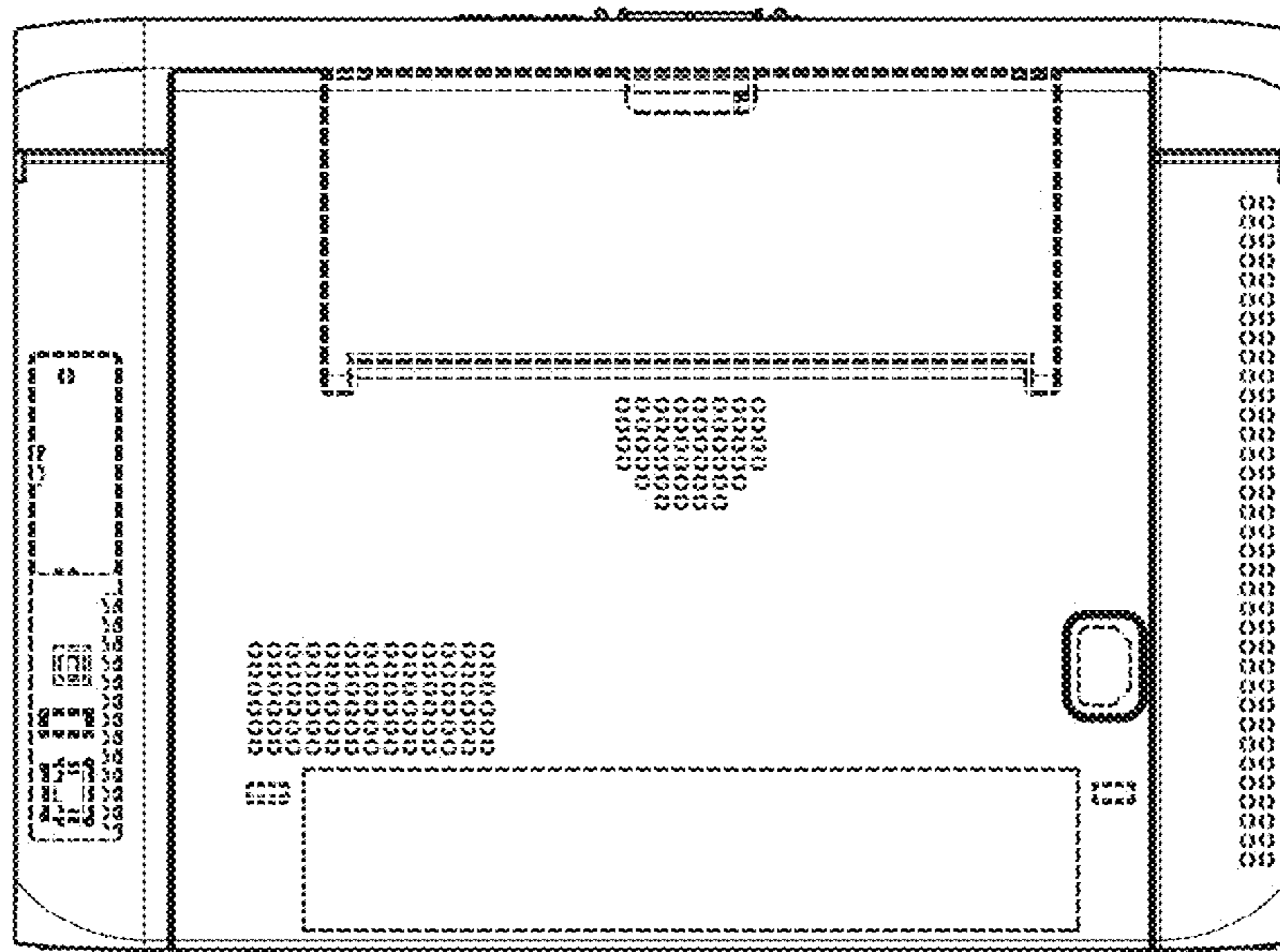


FIG. 3

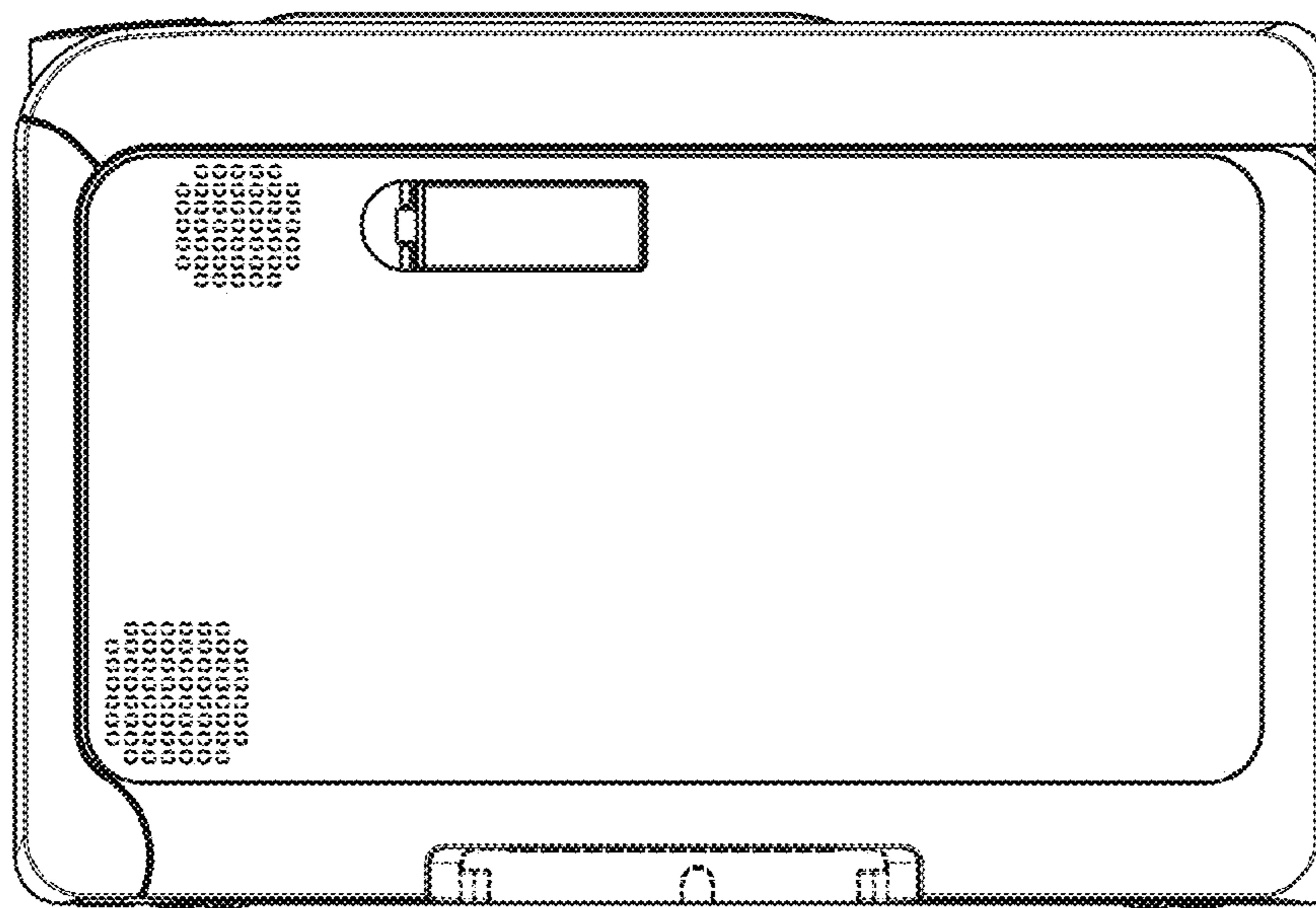


FIG. 4

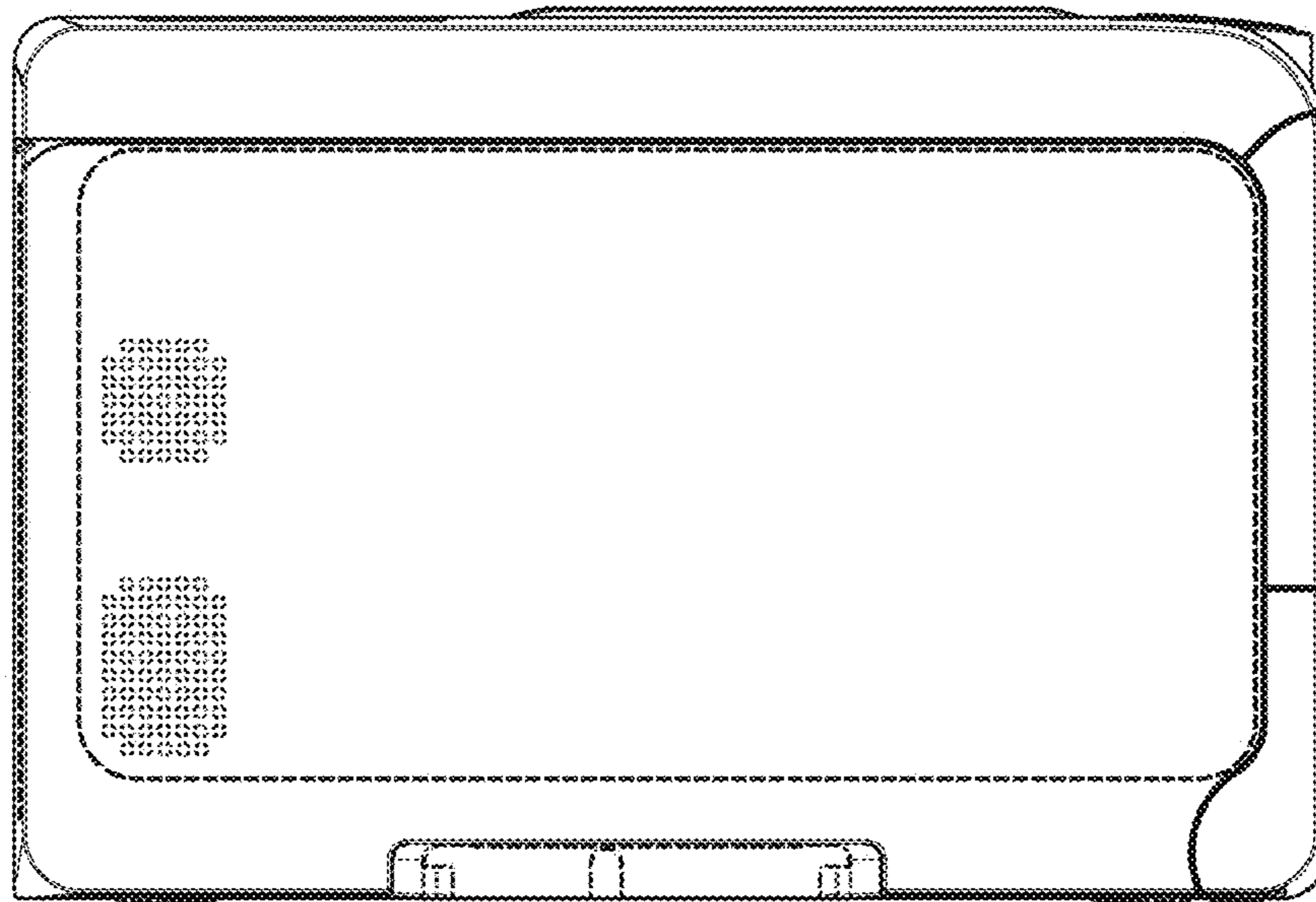


FIG. 5

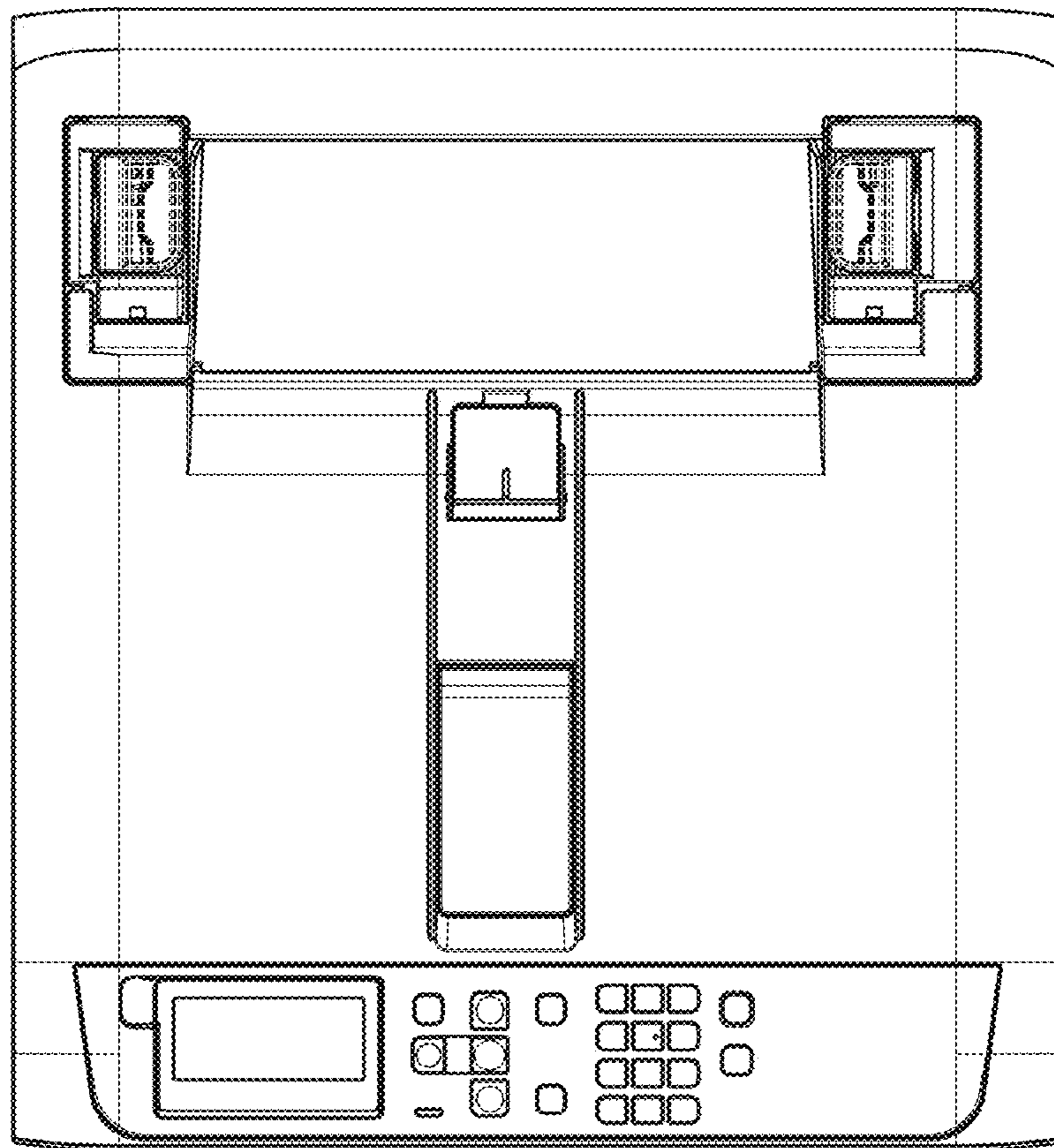


FIG. 6

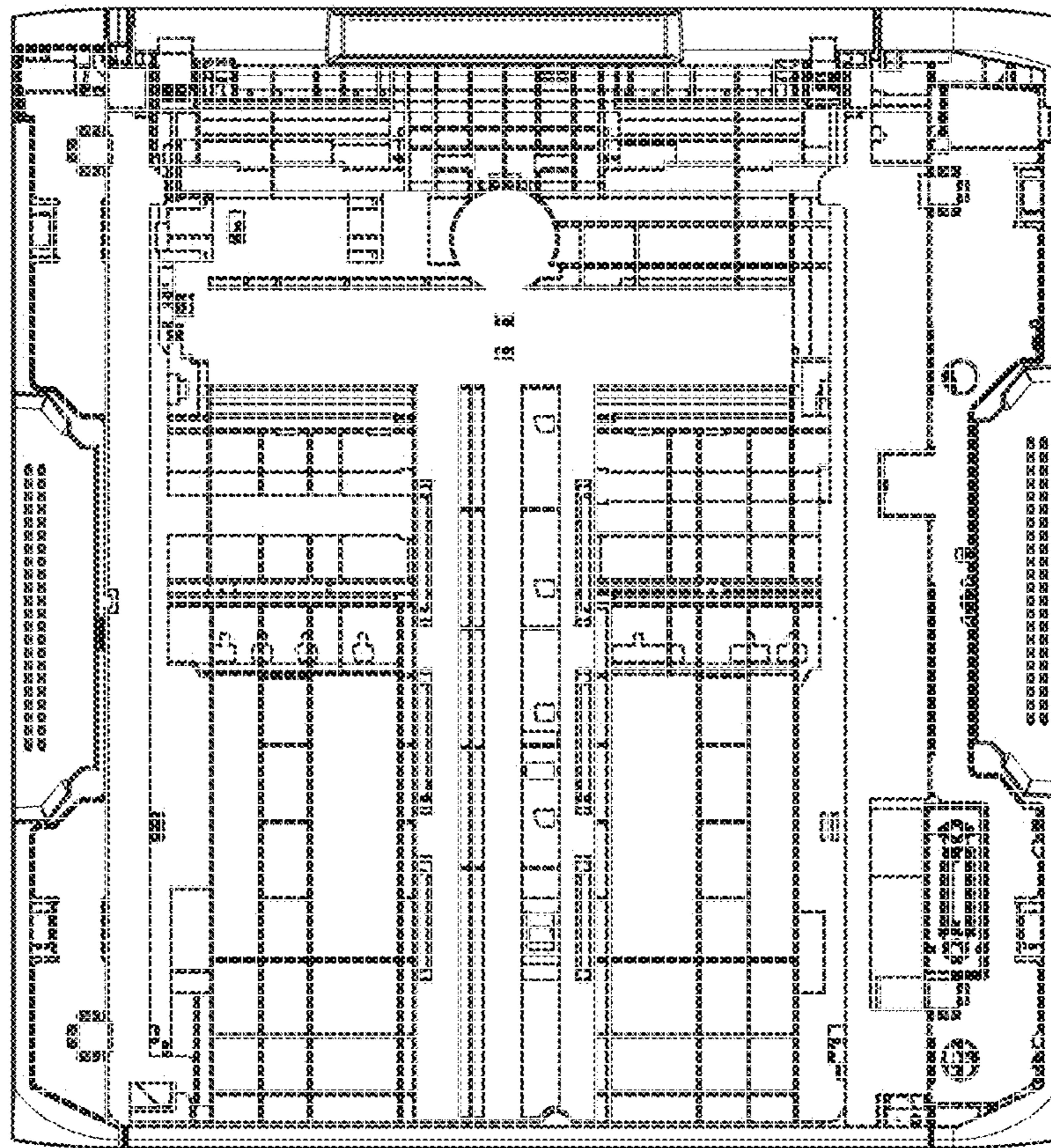


FIG. 7