



US00D981479S

(12) **United States Design Patent** (10) **Patent No.:** **US D981,479 S**
McGinnis (45) **Date of Patent:** **** Mar. 21, 2023**

(54) **PIANO KEY OVERLAY TILE**

FOREIGN PATENT DOCUMENTS

(71) Applicant: **Melanie Almiron McGinnis**, Arlington, MA (US)

GB 4034522 * 3/2014

(72) Inventor: **Melanie Almiron McGinnis**, Arlington, MA (US)

OTHER PUBLICATIONS

(**) Term: **15 Years**

Amazon, Imelod Keyboard or Piano Sticker for Keyboards, posted Jun. 17, 2018, [online], [visited Jun. 27, 2022]. Internet, <URL: <https://www.amazon.co.uk/dp/B07DTFHWCP/ref>> (Year: 2018).*

(21) Appl. No.: **29/739,096**

(Continued)

(22) Filed: **Jun. 22, 2020**

Primary Examiner — Samantha Wood

Related U.S. Application Data

(57) **CLAIM**

(63) Continuation of application No. 29/625,373, filed on Nov. 9, 2017, now Pat. No. Des. 888,151.

The ornamental design for a piano key overlay tile, as shown and described.

(51) **LOC (14) Cl.** **17-99**

DESCRIPTION

(52) **U.S. Cl.**
USPC **D17/99**

(58) **Field of Classification Search**

USPC D17/7-9, 99; D20/11, 12, 22, 27, 28, 40, D20/42; D19/59, 60, 100, 62
CPC G10B 3/00; G10B 3/02; G10B 3/24; A63F 3/00119; A63F 2003/00132; A63F 13/814; G10C 3/00; G10C 3/12; G10C 3/125; G10G 1/00; G10G 1/02; G10G 3/00; G10G 3/02

See application file for complete search history.

FIG. 1 is a front perspective view of a piano key overlay tile according to one embodiment of the new design;
FIG. 2 is a front view thereof;
FIG. 3 is a back view thereof;
FIG. 4 is a right view thereof;
FIG. 5 is a left view thereof;
FIG. 6 is a top view thereof;
FIG. 7 is a bottom view thereof;
FIG. 8 is a front view of a piano key overlay tile according to another embodiment of the new design;
FIG. 9 is a back view thereof;
FIG. 10 is a right view thereof;
FIG. 11 is a left view thereof;
FIG. 12 is a top view thereof;
FIG. 13 is a bottom view thereof;
FIG. 14 is a front view of a piano key overlay tile according to another embodiment of the designs;
FIG. 15 is a back view thereof;
FIG. 16 is a right view thereof;
FIG. 17 is a left view thereof;
FIG. 18 is a top view thereof; and,
FIG. 19 is a bottom view thereof.

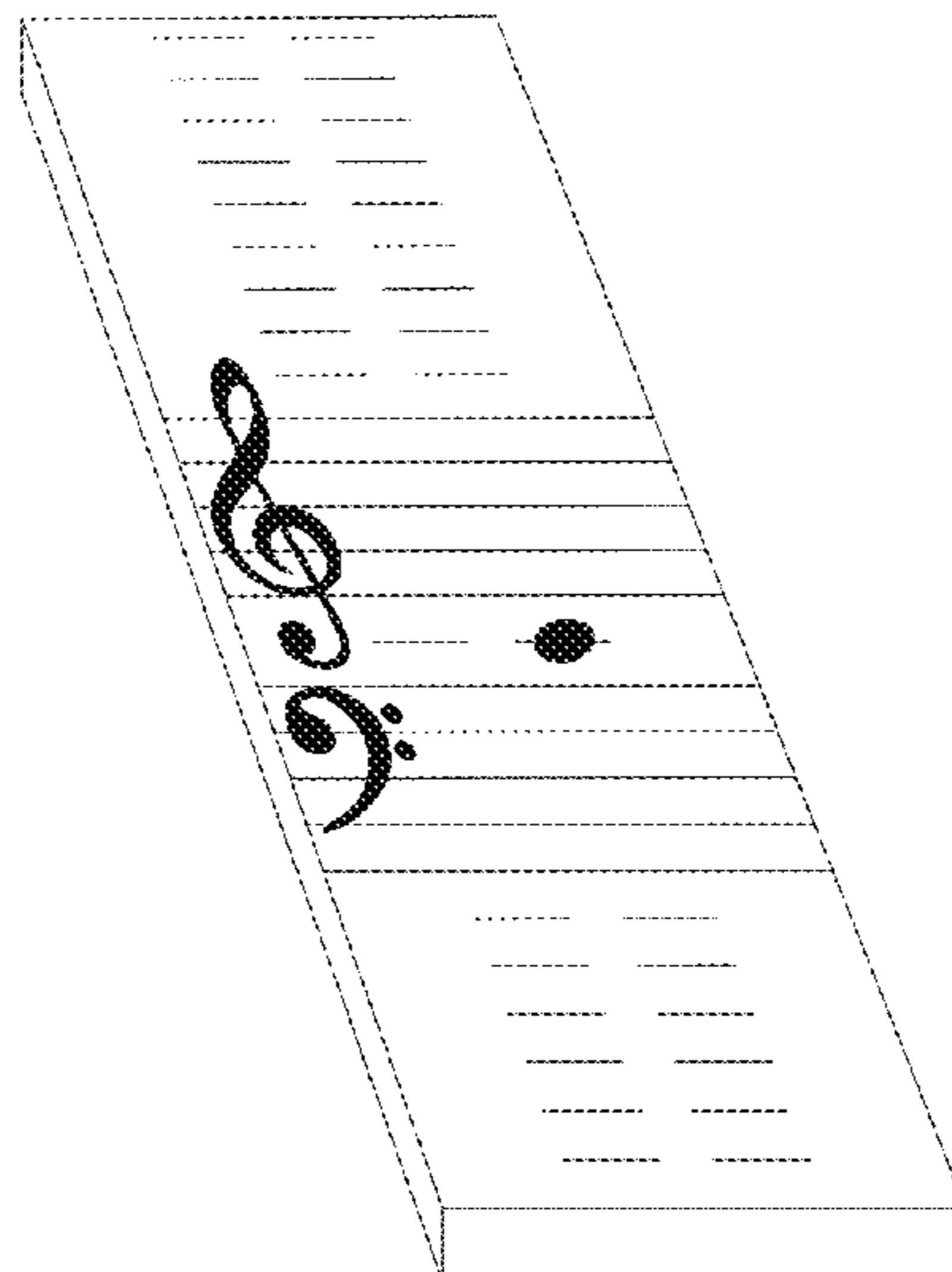
(56) **References Cited**

U.S. PATENT DOCUMENTS

D37,854 S * 2/1906 MacMaster D17/99
D38,226 S * 9/1906 Thrash D19/64
1,392,977 A * 10/1921 Swan A63F 1/02
273/303
1,675,528 A * 7/1928 Bishop A63F 1/02
D21/376
1,758,254 A * 5/1930 Hazen G09B 15/00
84/471 R
D143,942 S * 2/1946 Thannhauser D19/1

(Continued)

1 Claim, 3 Drawing Sheets



(56)

References Cited

U.S. PATENT DOCUMENTS

D163,085 S * 5/1951 Bishop 446/128
 D205,401 S * 8/1966 Schmoyer D19/59
 D229,230 S * 11/1973 Olson D17/1
 D238,423 S * 1/1976 Robinson D19/59
 D247,119 S * 1/1978 Nilsson D19/59
 4,203,345 A * 5/1980 Collin G09B 15/003
 84/478
 D270,917 S * 10/1983 Peterson D17/9
 D356,330 S * 3/1995 Henriquez 84/474
 D378,298 S * 3/1997 Steinberger D14/257
 6,031,172 A * 2/2000 Papadopoulos G09B 1/20
 84/474
 D636,815 S * 4/2011 Prather D19/59
 D666,245 S * 8/2012 Birdwell D20/27
 D757,846 S * 5/2016 Mori D17/99
 D776,188 S * 1/2017 Beck D17/1
 D819,741 S * 6/2018 Clegg D20/22
 D841,090 S * 2/2019 Cloyd D19/62

D887,486 S * 6/2020 Moffett D19/59
 2010/0212477 A1 * 8/2010 DeLong G09B 15/08
 84/479 A
 2014/0318345 A1 * 10/2014 Fraser G10G 1/02
 84/314 R

OTHER PUBLICATIONS

Amazon, Chingo Piano Sticker Piano Keyboard, posted Apr. 21, 2019, [online], [visited Jun. 27, 2022]. Internet, <URL: <https://www.amazon.co.uk/dp/B07QZQLQTF/ref>> (Year: 2019).*

Amazon, SELUXU Piano Beginner Staff Piano Keyboard Stickers, posted Dec. 27, 2018, [online], [visited Jun. 27, 2022]. Internet, <URL: <https://www.amazon.co.uk/SELUXU-Beginner-Keyboard-Stickers-Instruments/dp/B07MNRNHKF/ref>> (Year: 2018).*

Amazon, Piano Stickers, posted Feb. 14, 2016, [online], [visited Jun. 27, 2022]. Internet, <URL: <https://www.amazon.co.uk/Piano-Stickers-88-LAMINATED-PSBW/dp/B018PSKLMK/ref>> (Year: 2016).*

* cited by examiner

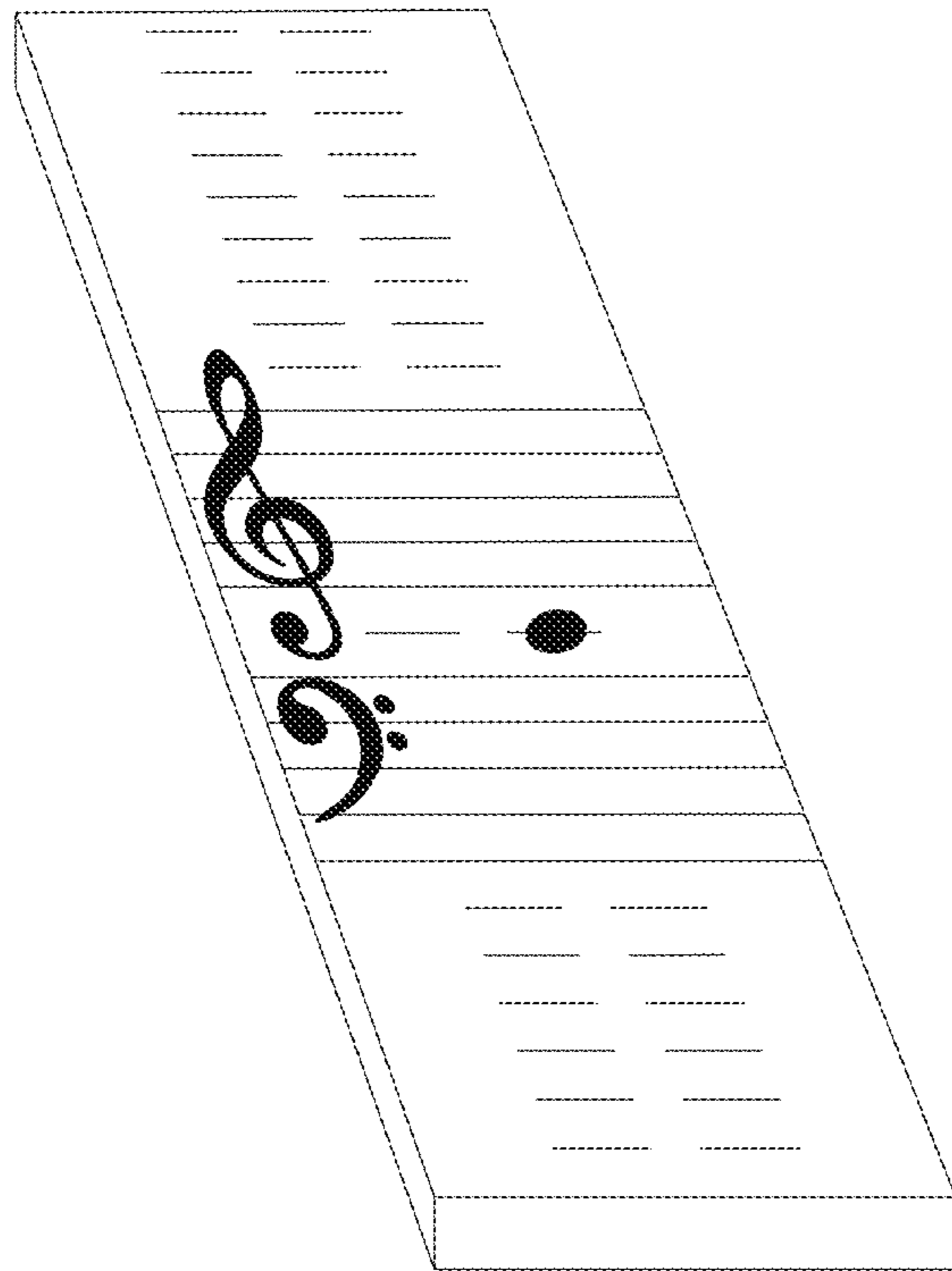


FIG. 1

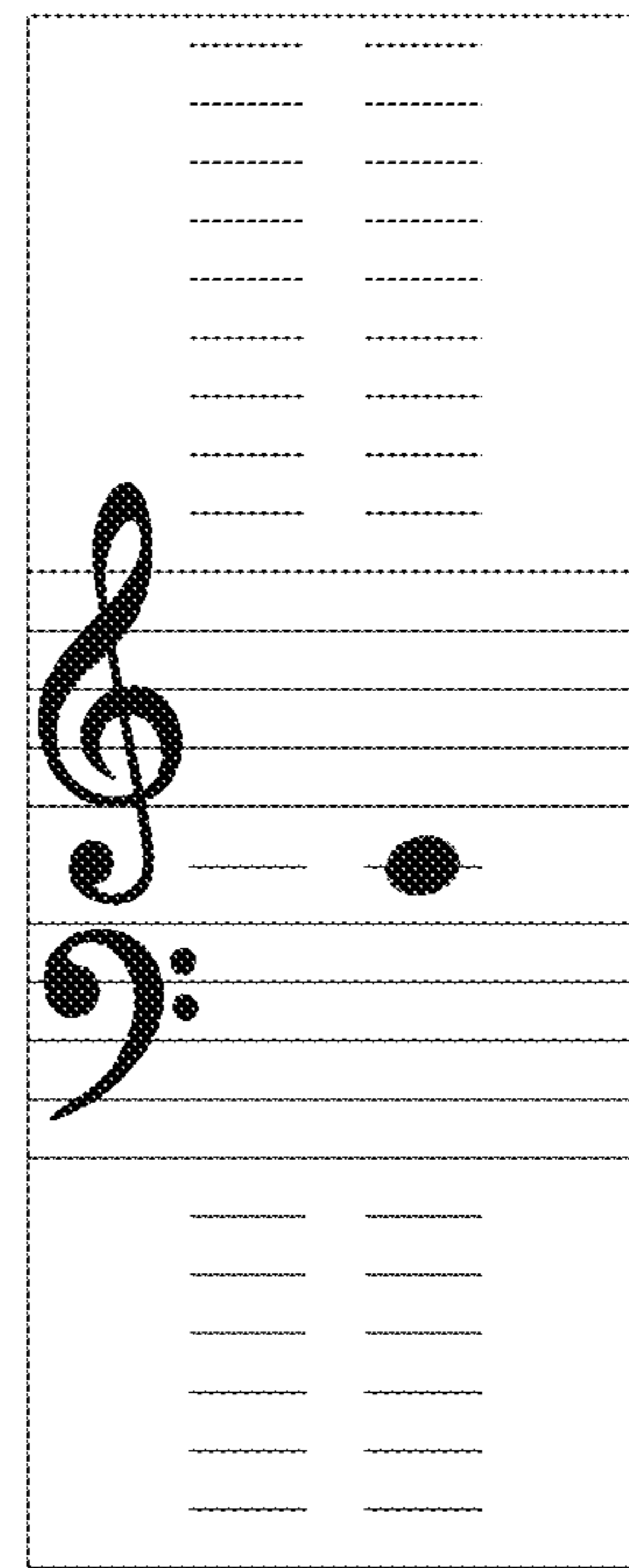


FIG. 2

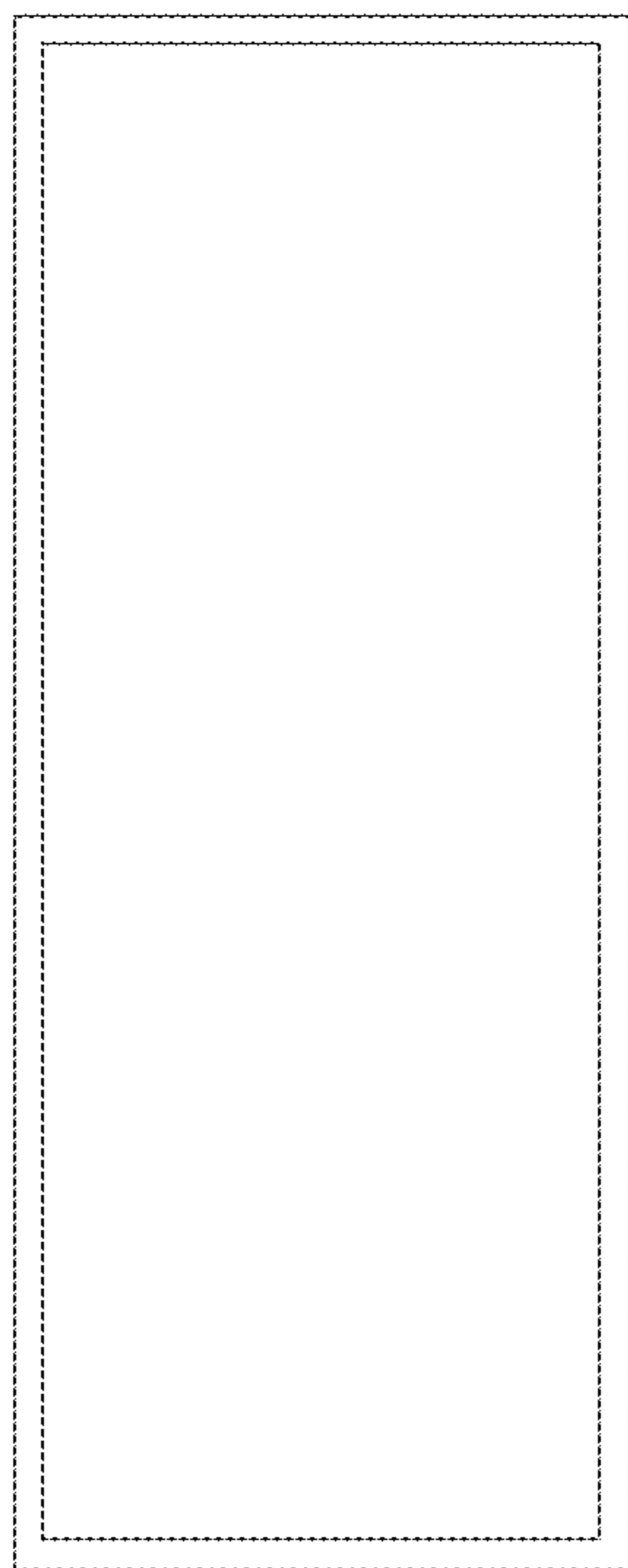


FIG. 3

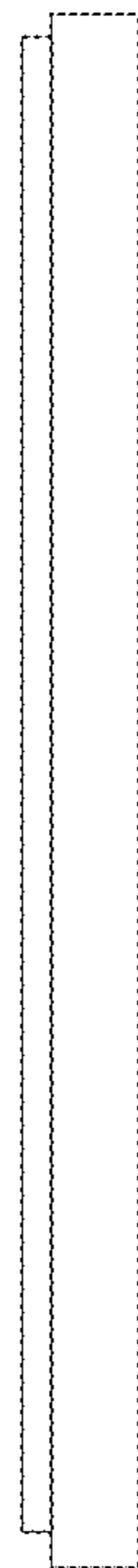


FIG. 4



FIG. 5

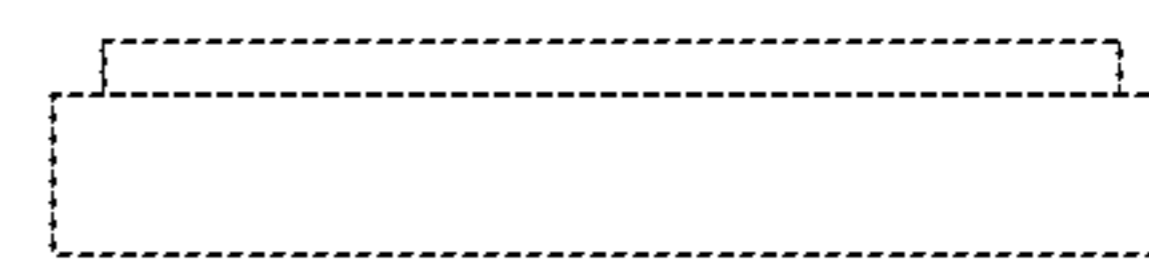


FIG. 6



FIG. 7

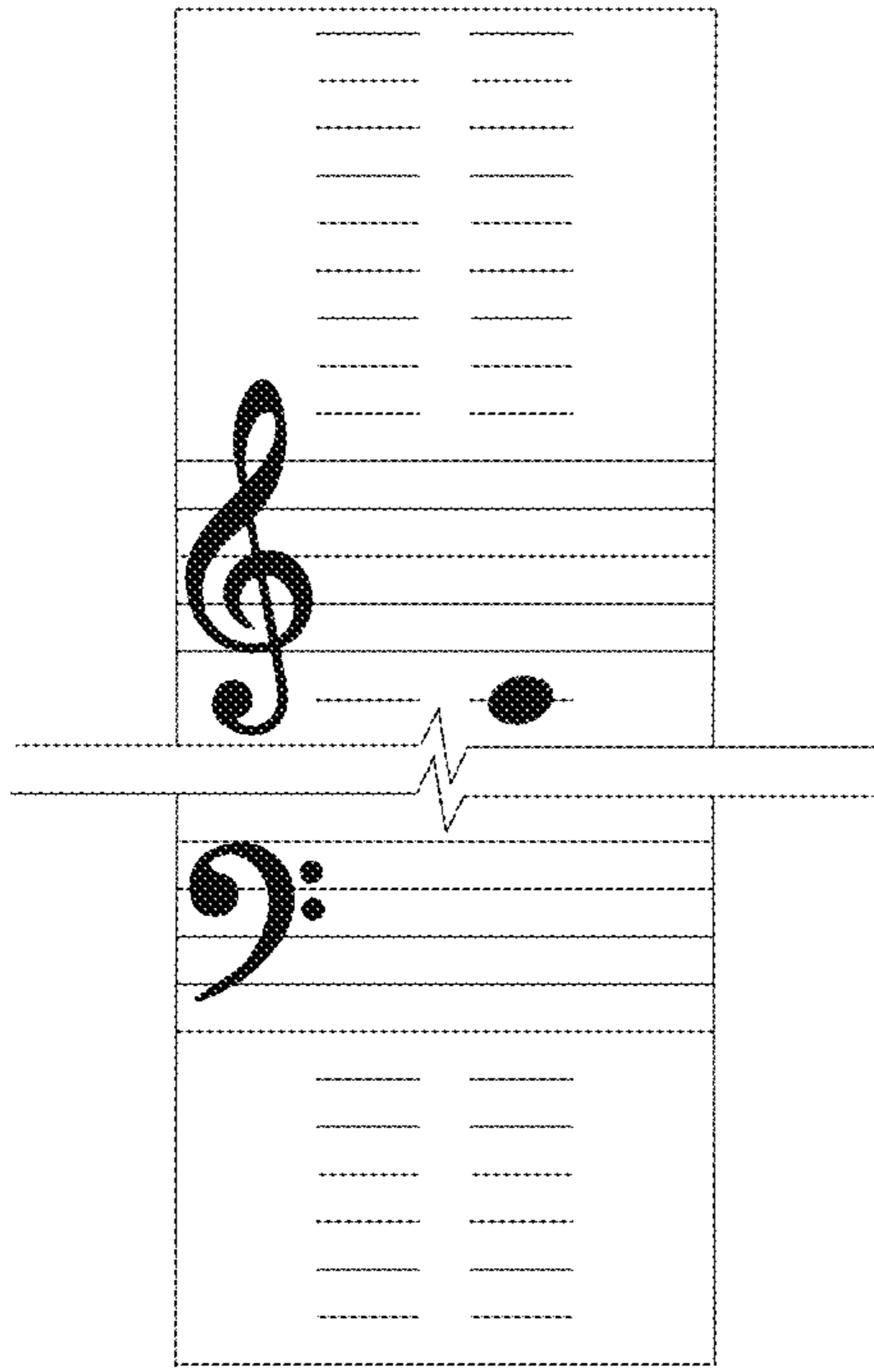


FIG. 8

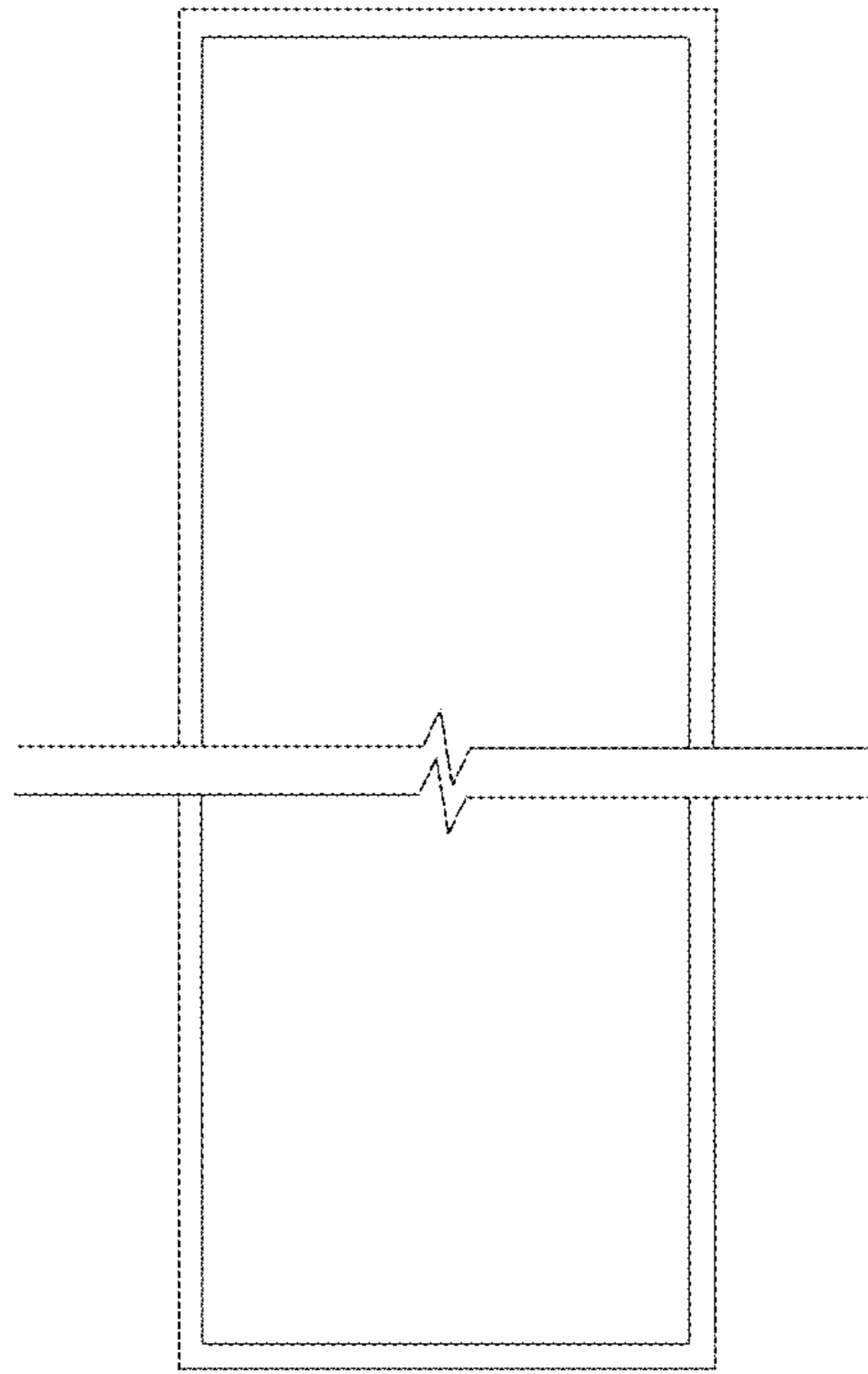


FIG. 9

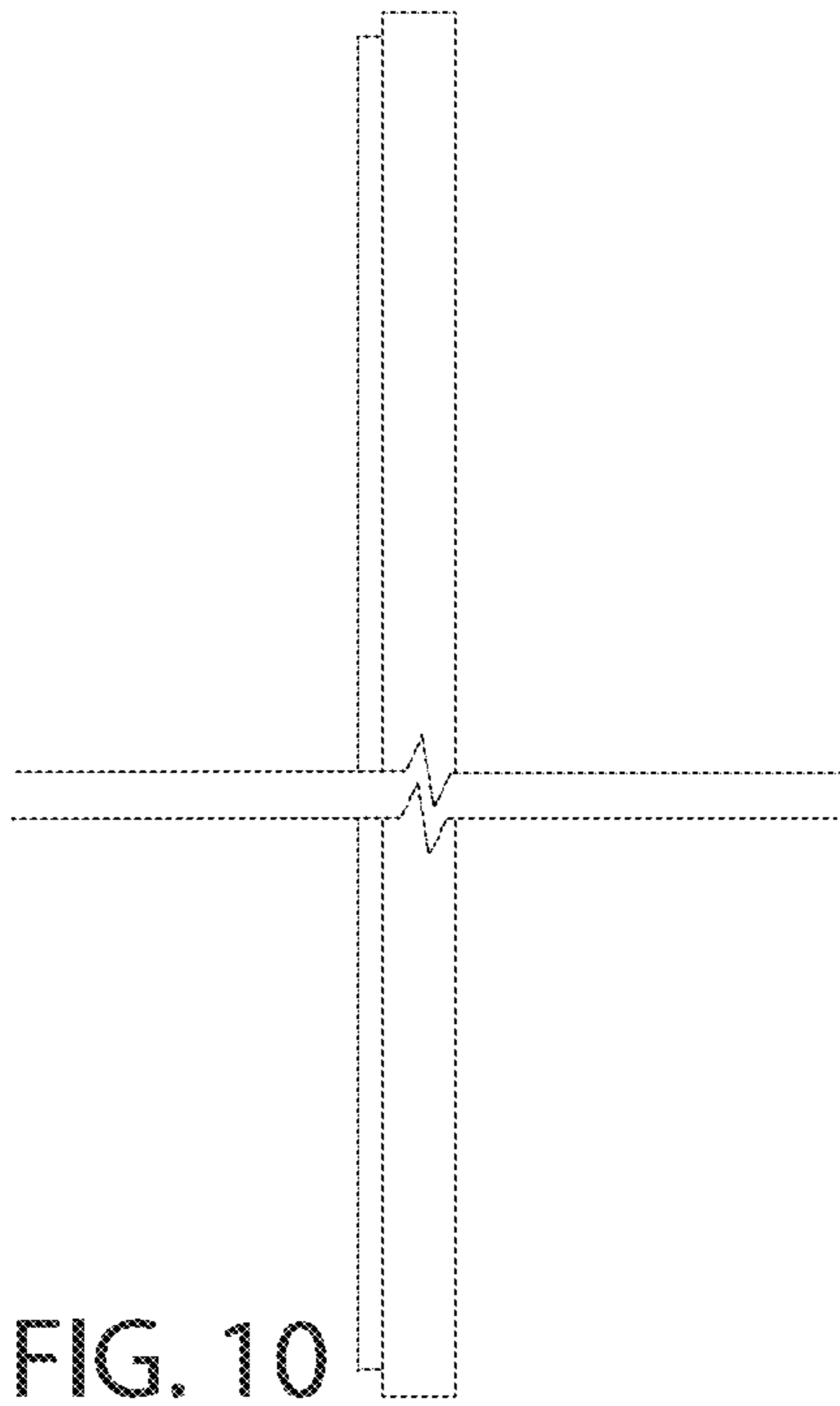


FIG. 10

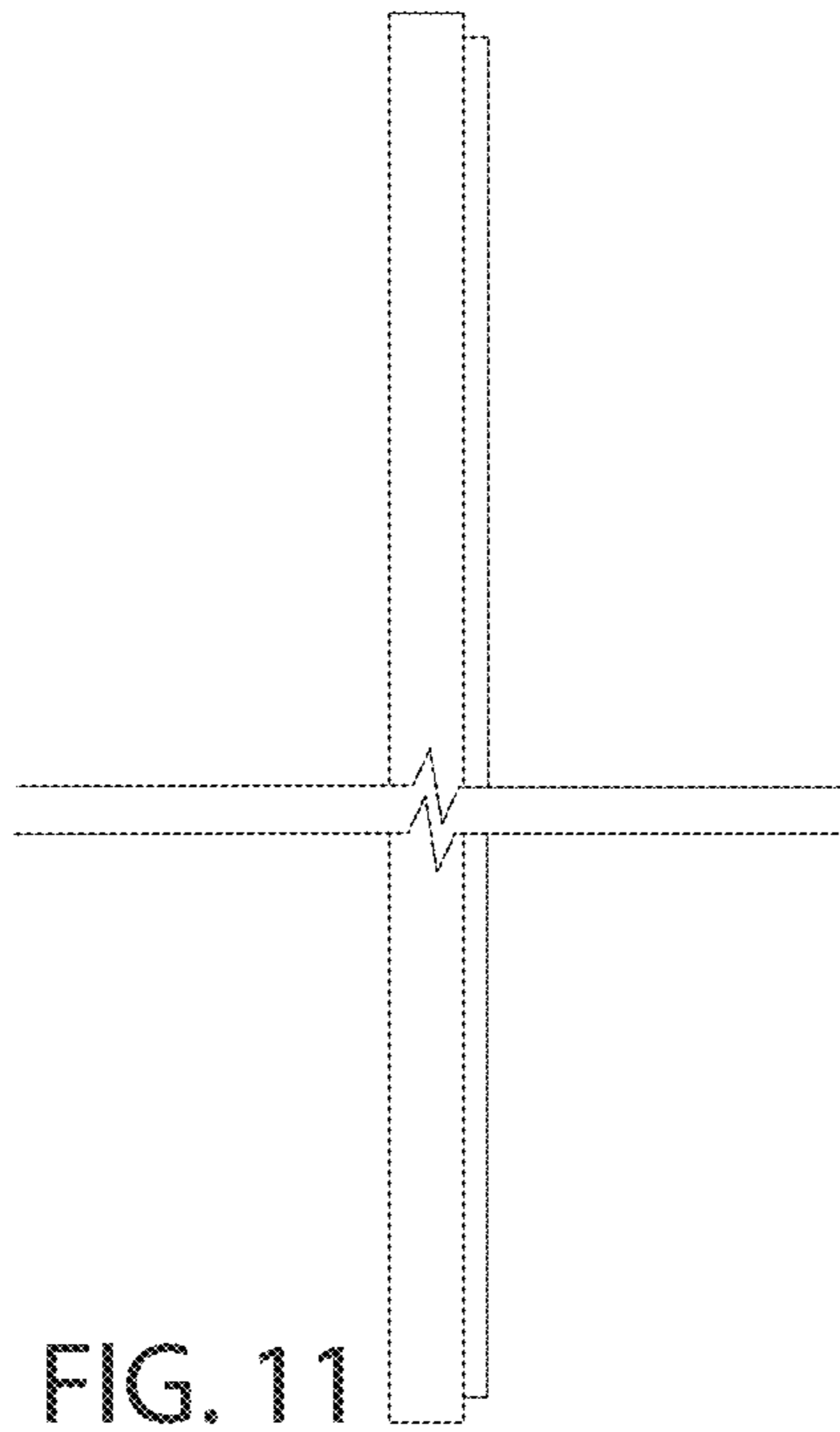


FIG. 11

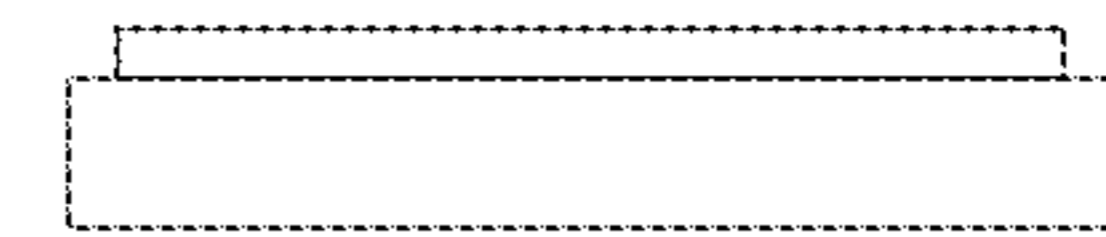


FIG. 12

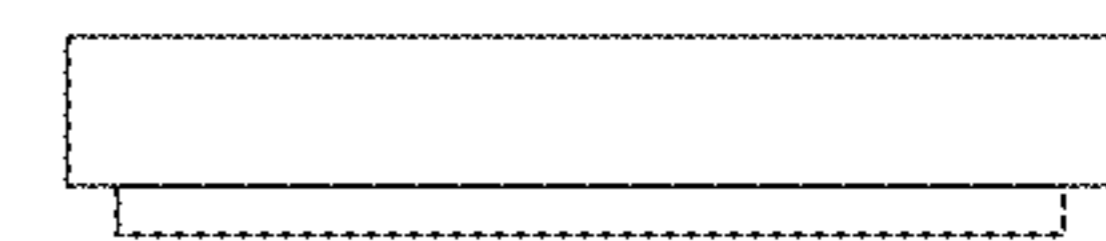


FIG. 13

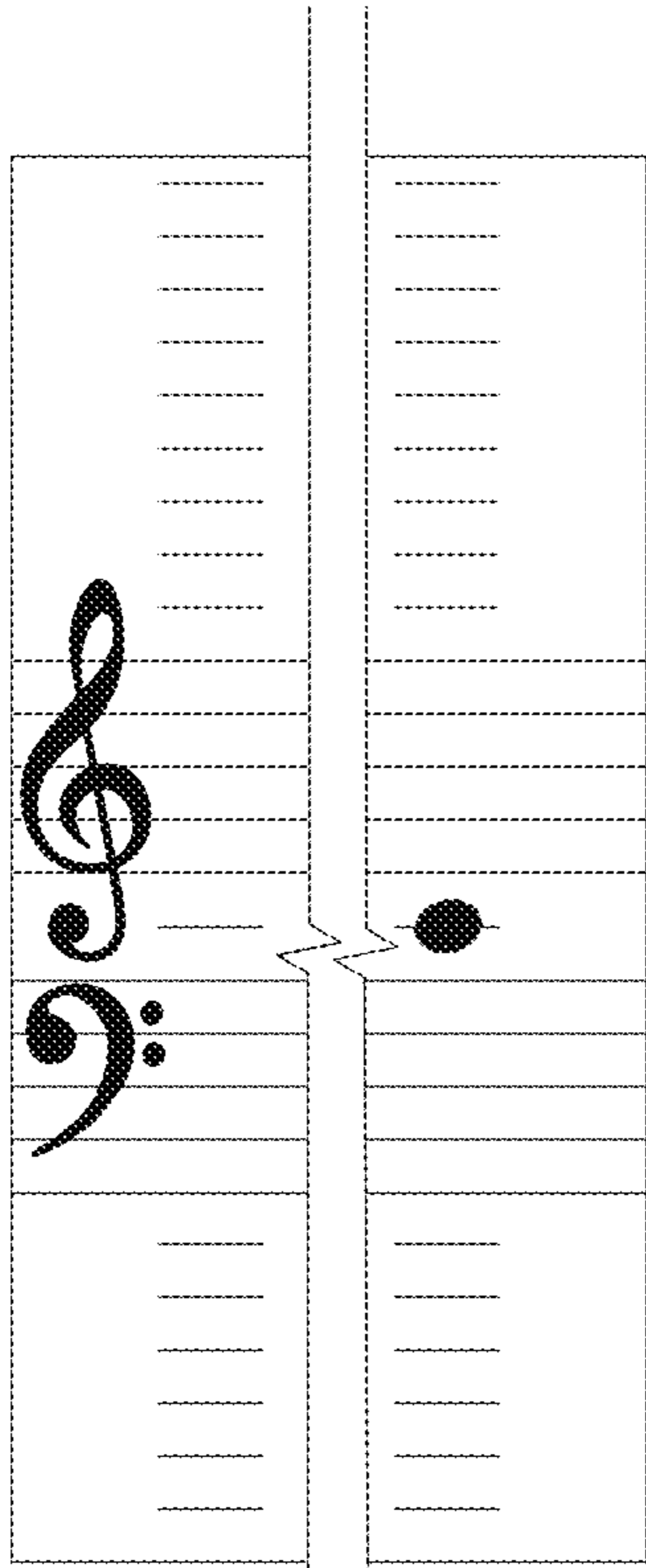


FIG. 14

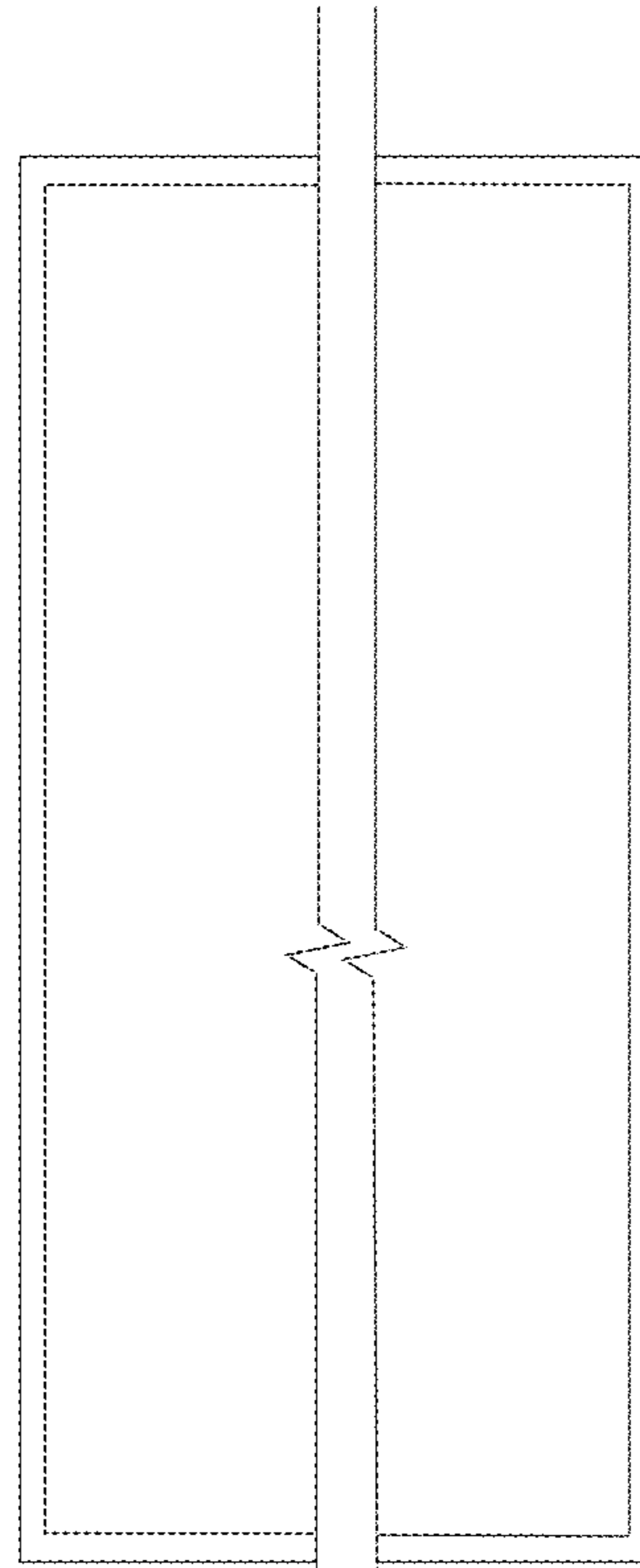


FIG. 15

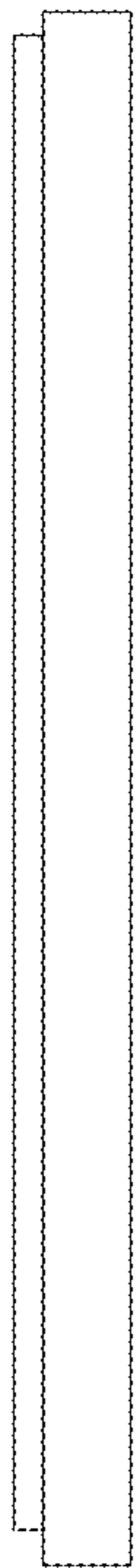


FIG. 16

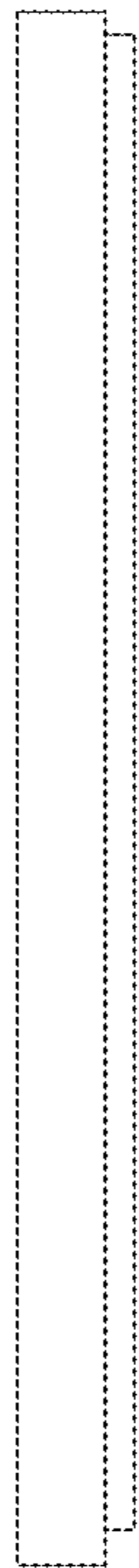


FIG. 17

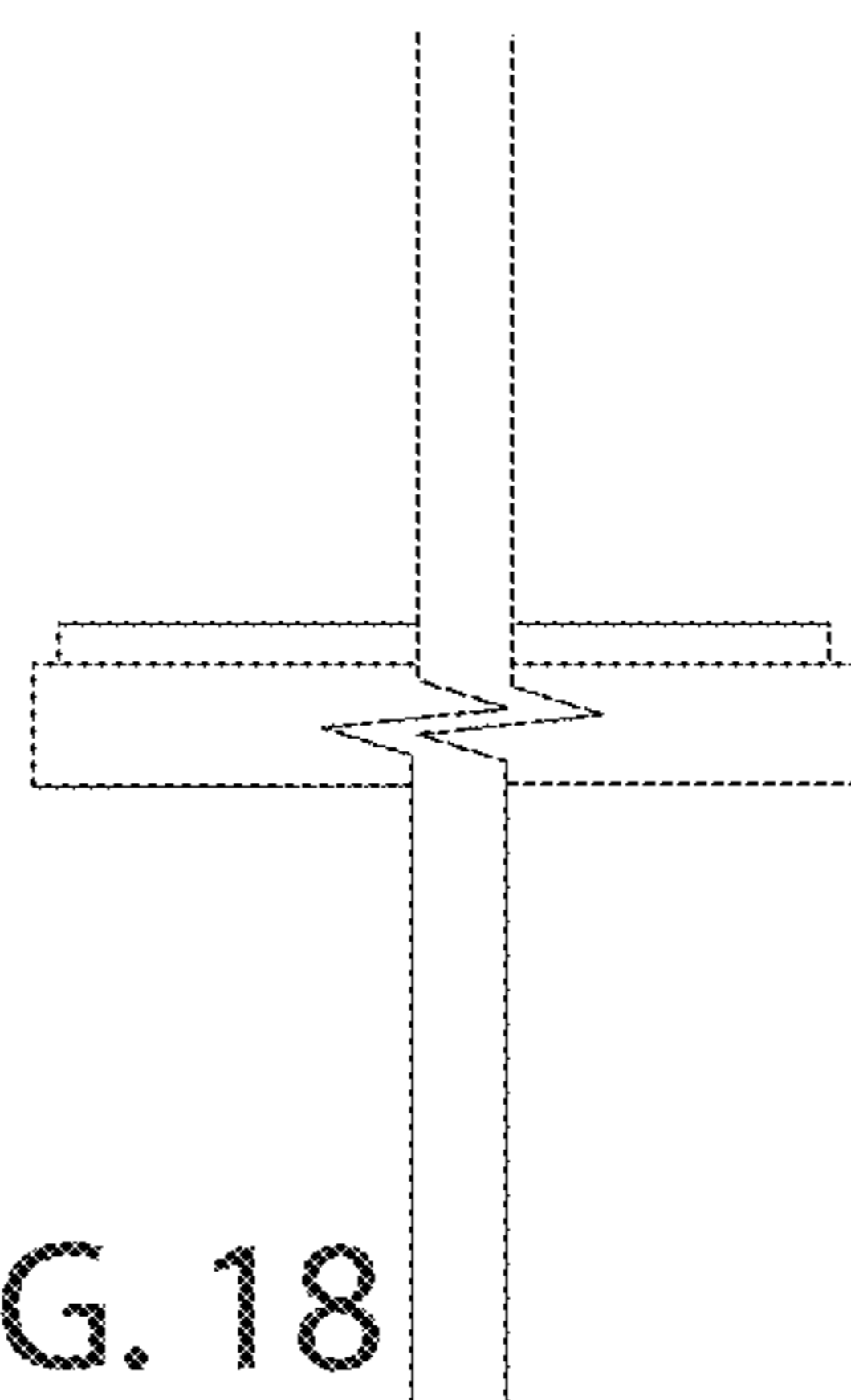


FIG. 18

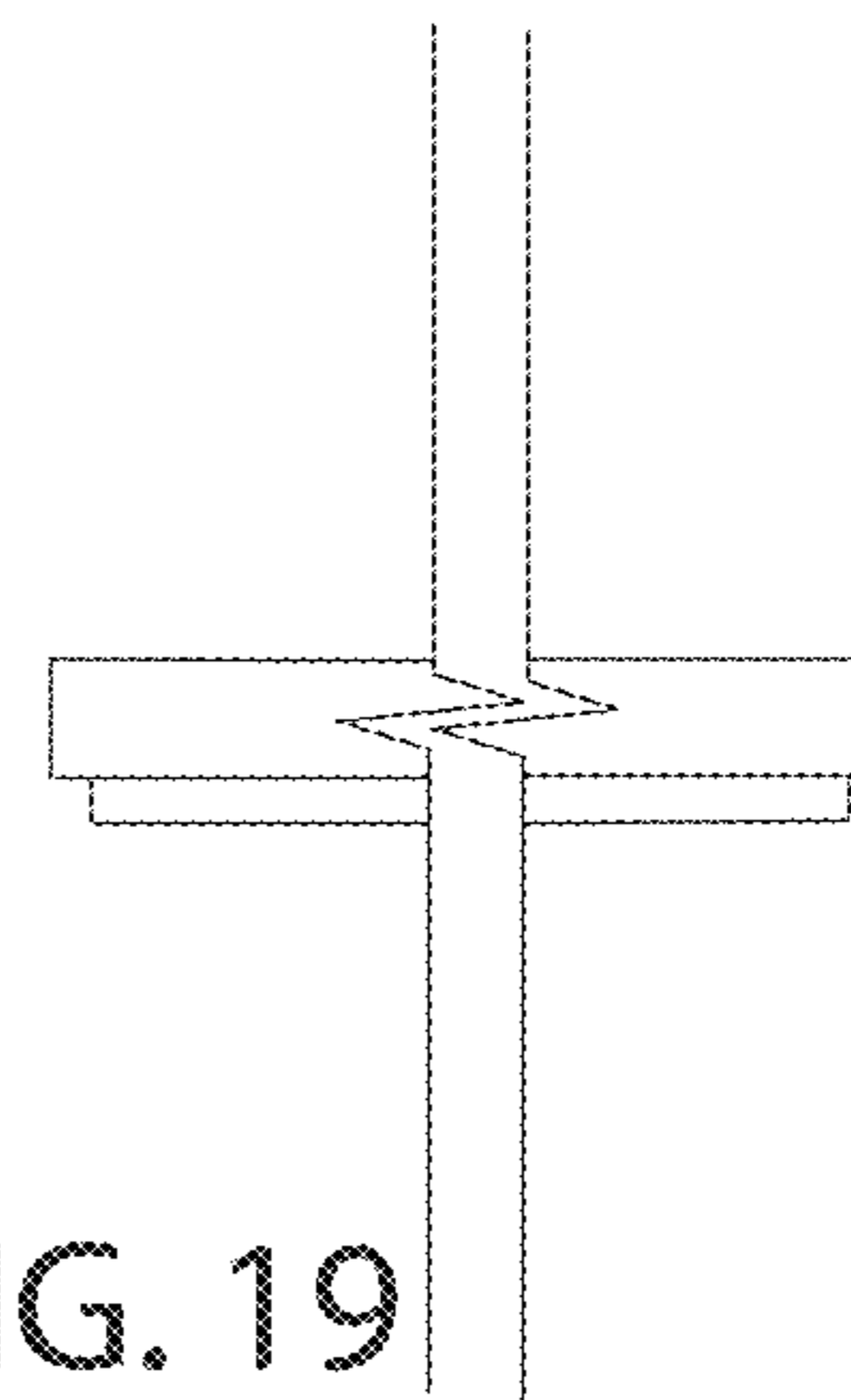


FIG. 19