



US00D981478S

(12) **United States Design Patent** (10) **Patent No.:** **US D981,478 S**  
**Rognlien et al.** (45) **Date of Patent:** **\*\* \*Mar. 21, 2023**

- (54) **GUITAR BRIDGE PIN PULLER TOOL**
- (71) Applicant: **Music Nomad, LLC**, Sonoma, CA (US)
- (72) Inventors: **Rand Rognlien**, Sonoma, CA (US); **Pieter Schouten**, Berkley, CA (US)
- (73) Assignee: **Music Nomad, LLC**, Sonoma, CA (US)
- (\*) Notice: This patent is subject to a terminal disclaimer.
- (\*\*) Term: **15 Years**
- (21) Appl. No.: **29/679,456**
- (22) Filed: **Feb. 6, 2019**
- (51) **LOC (14) Cl.** ..... **17-03**
- (52) **U.S. Cl.**  
USPC ..... **D17/20**
- (58) **Field of Classification Search**  
USPC ..... D17/14, 18, 19, 20, 21, 99; D8/105  
CPC .. G10D 1/00; G10D 1/04; G10D 1/05; G10D 1/06; G10D 1/08; G10D 1/10; G10D 3/00; G10D 3/04; G10D 3/06; G10D 3/12; G10D 3/14; G10D 3/147  
See application file for complete search history.

- (56) **References Cited**  
U.S. PATENT DOCUMENTS
- 1,657,890 A \* 1/1928 Mertes ..... G10D 3/14 84/302
- 3,785,239 A \* 1/1974 Smith ..... G10D 1/08 84/314 R
- 4,412,472 A \* 11/1983 Welch ..... G10D 3/053 84/318
- 5,016,514 A \* 5/1991 Kaufman ..... G10D 3/053 84/318

- 7,534,946 B1 \* 5/2009 Oxenhandler ..... G10D 3/20 84/298
- 2008/0302230 A1 \* 12/2008 Coco ..... B25B 27/00 84/458
- 2017/0116968 A1 \* 4/2017 Gray ..... G10D 3/14

- FOREIGN PATENT DOCUMENTS
- DE 102006059821 B3 \* 9/2007 ..... G10D 3/053
- JP 2017203824 A \* 11/2017

\* cited by examiner

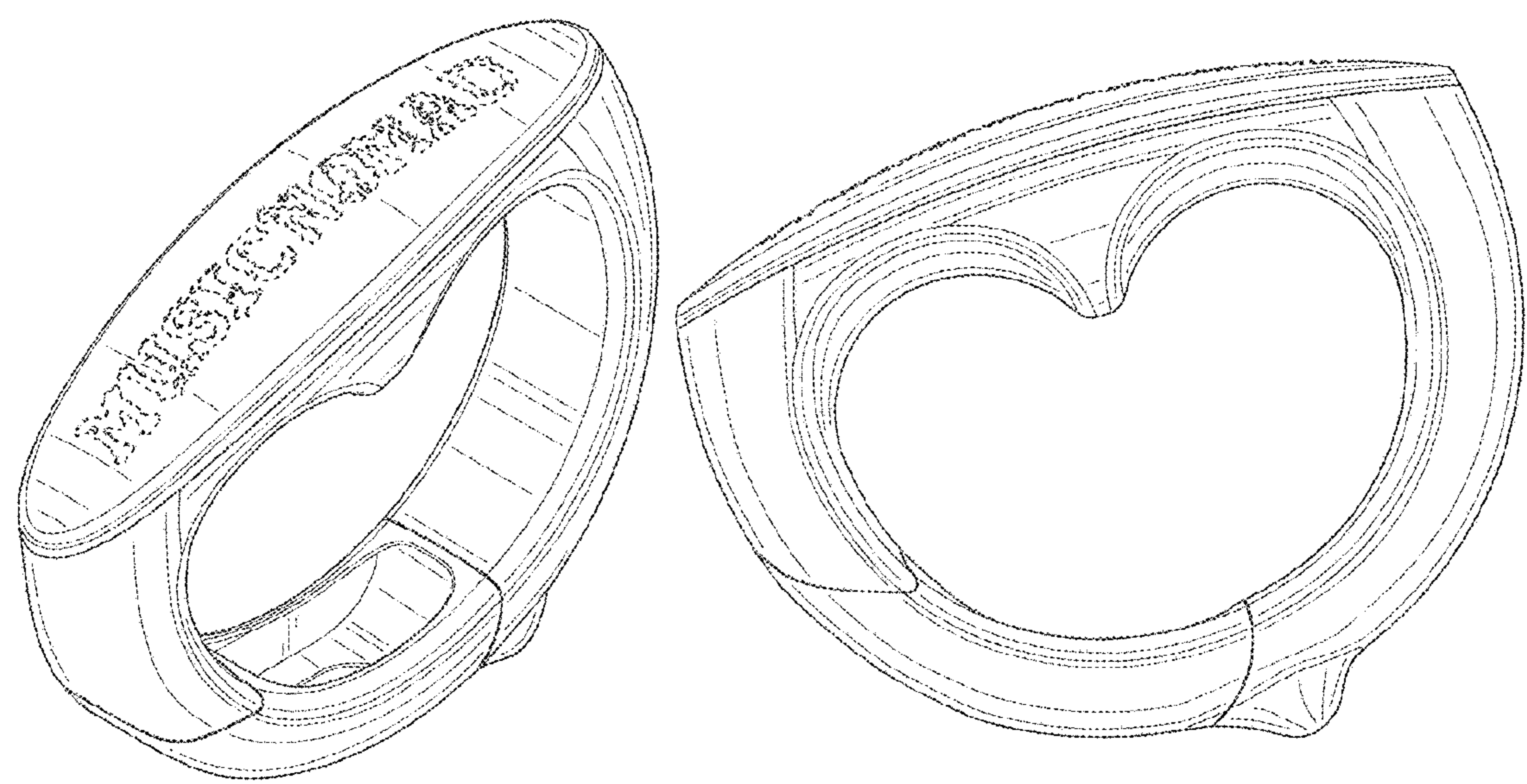
*Primary Examiner* — R. Johnson  
(74) *Attorney, Agent, or Firm* — Bond Schoeneck & King, PLLC; George McGuire

(57) **CLAIM**  
The ornamental design for a guitar bridge pin puller tool, as shown and described.

**DESCRIPTION**

FIG. 1 is a perspective view of a guitar bridge pin puller tool, showing the first embodiment of our new design;  
FIG. 2 is a front elevation view thereof;  
FIG. 3 is a rear elevation view thereof;  
FIG. 4 is a first side elevation view thereof;  
FIG. 5 is a second side elevation view thereof;  
FIG. 6 is a top plan view thereof;  
FIG. 7 is a bottom plan view thereof;  
FIG. 8 is a perspective view of a guitar bridge pin puller tool, showing the second embodiment of our new design;  
FIG. 9 is a front elevation view thereof;  
FIG. 10 is a rear elevation view thereof;  
FIG. 11 is a first side elevation view thereof;  
FIG. 12 is a second side elevation view thereof;  
FIG. 13 is a top plan view thereof; and,  
FIG. 14 is a bottom plan view thereof.  
The broken lines shown in the second embodiment illustrate an imprinted brand name and form no part of the claimed design.

**1 Claim, 14 Drawing Sheets**



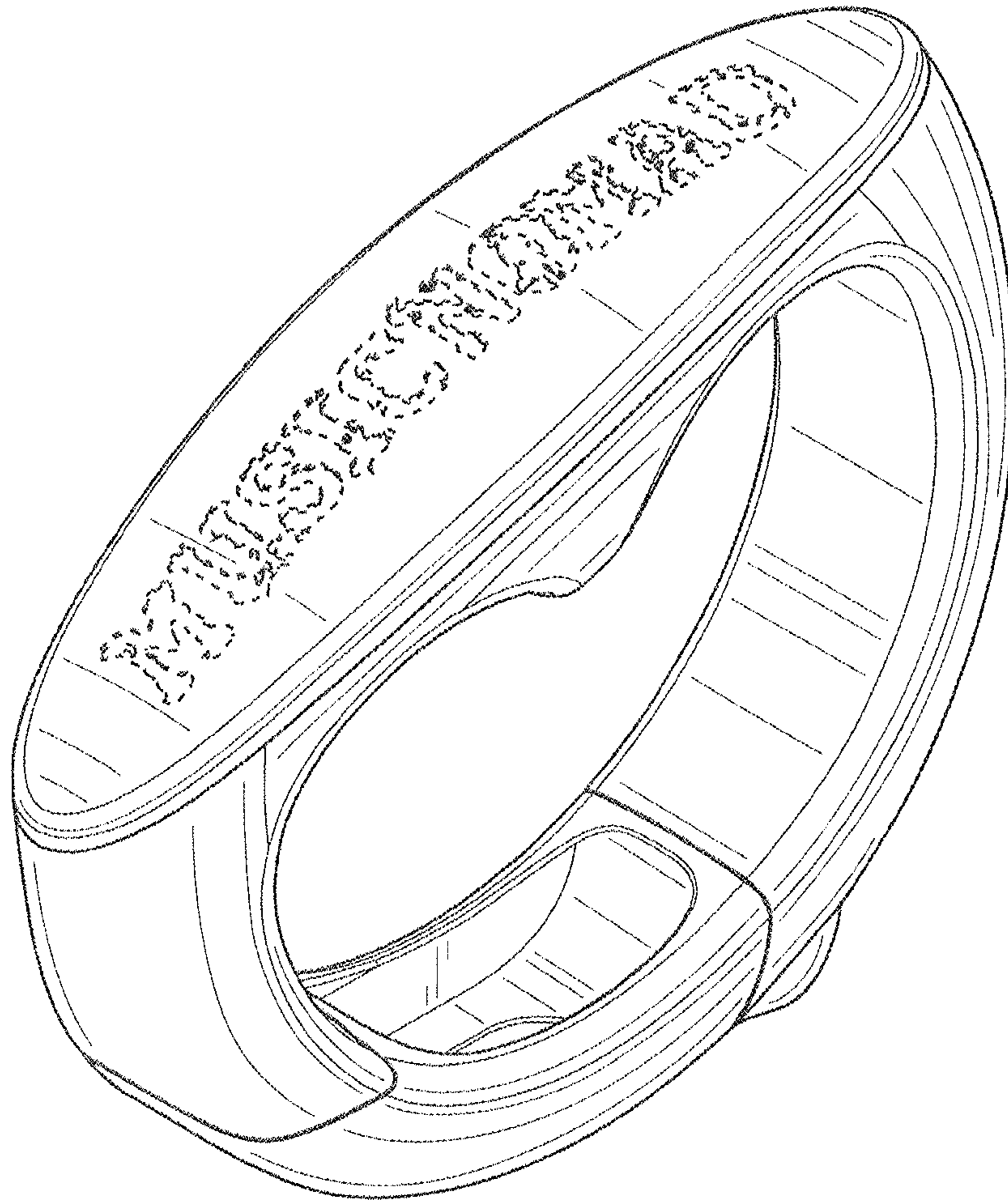


FIG. 1

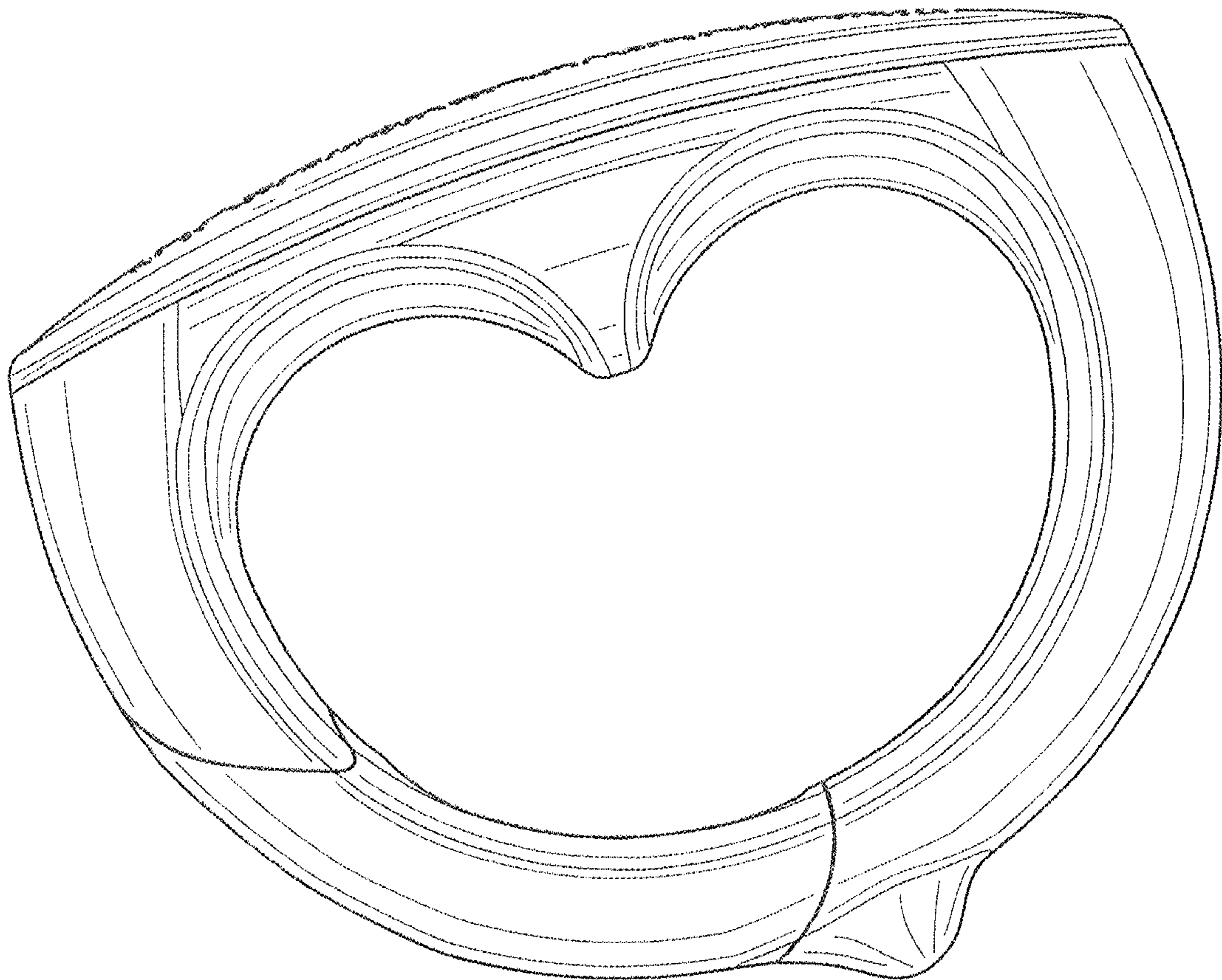


FIG. 2

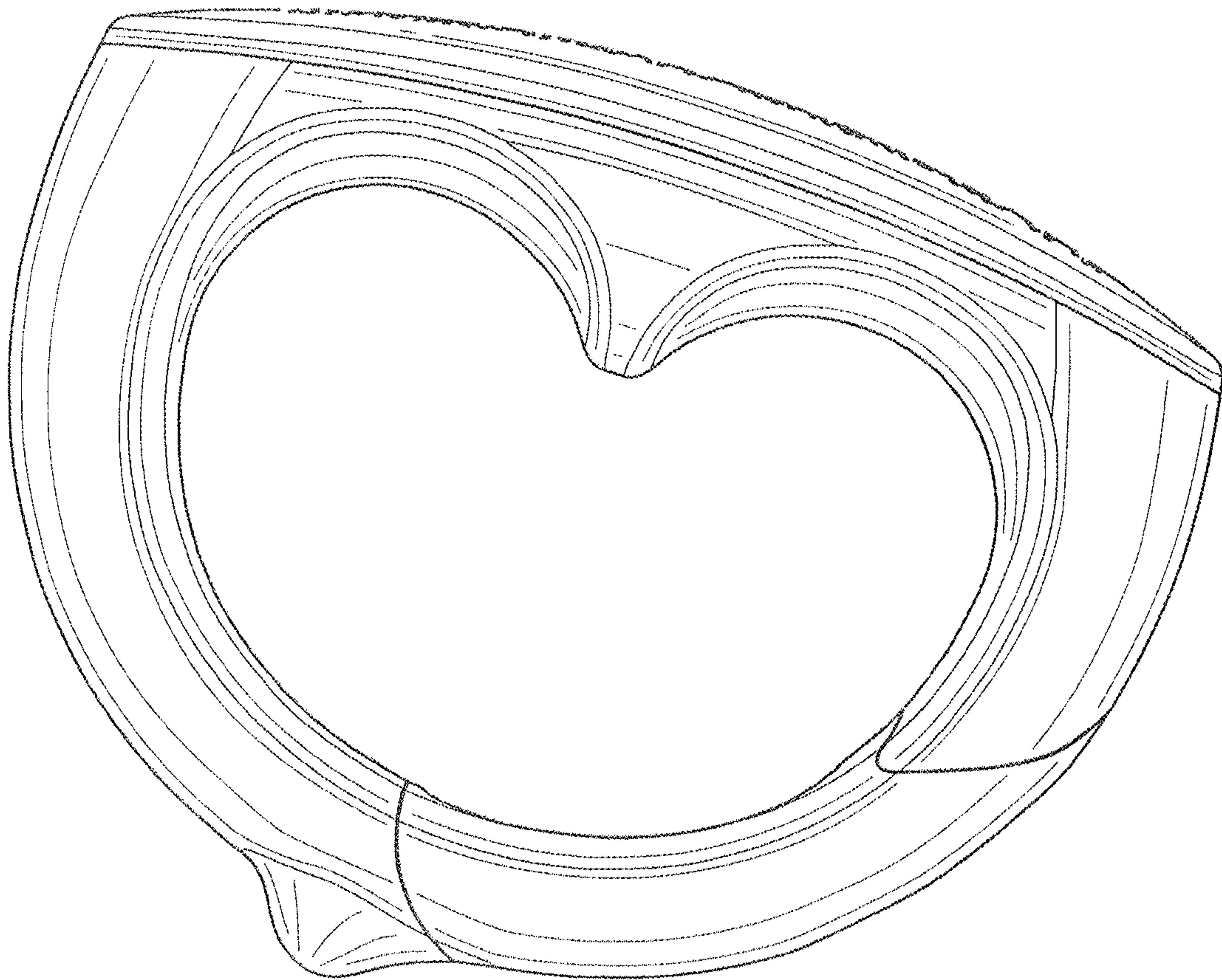


FIG. 3

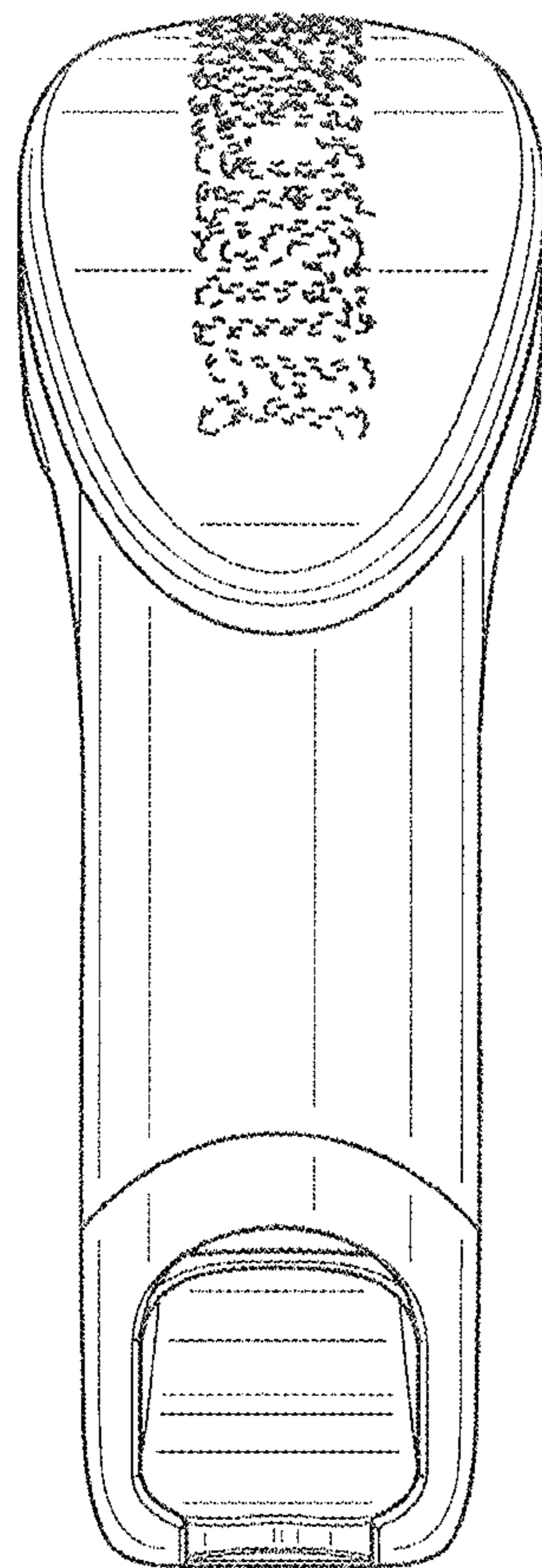


FIG. 4

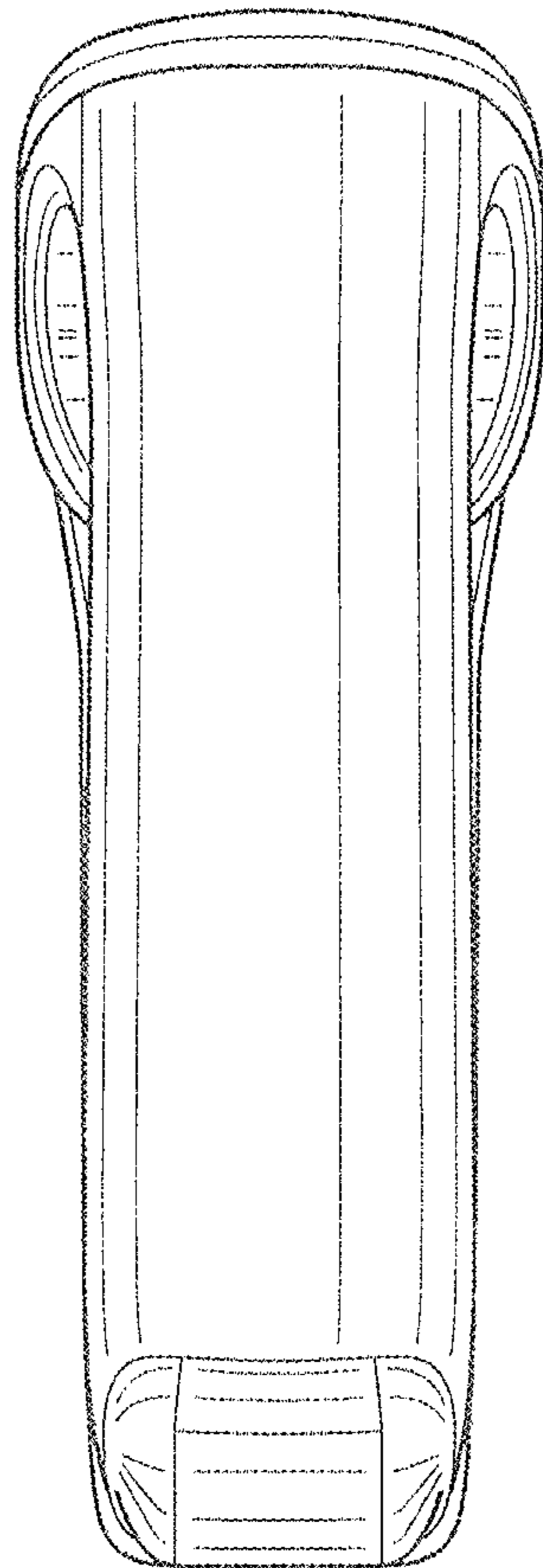


FIG. 5

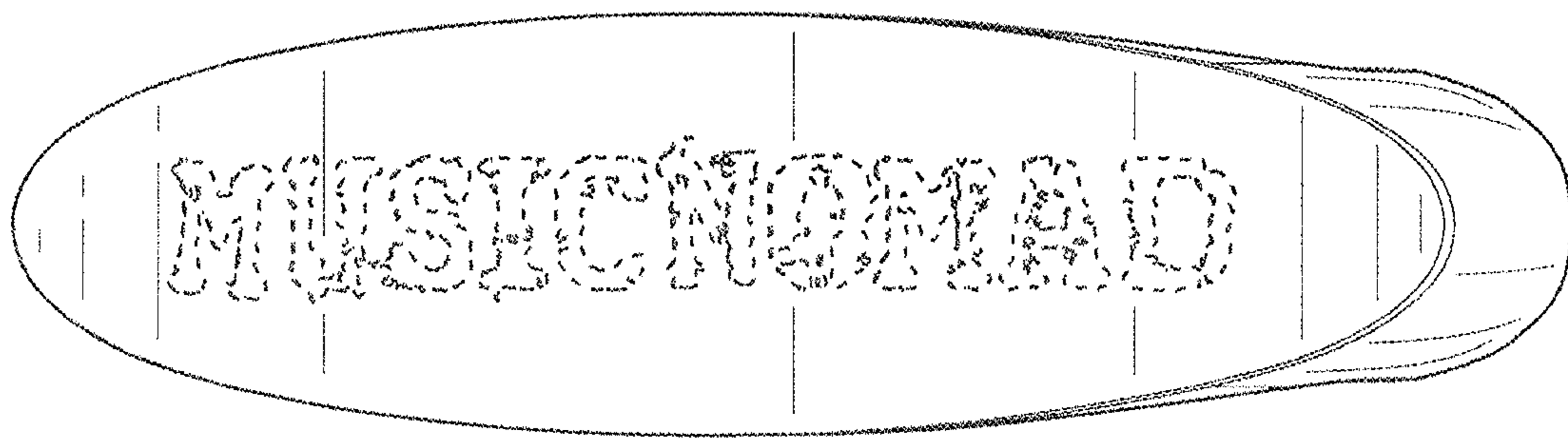


FIG. 6

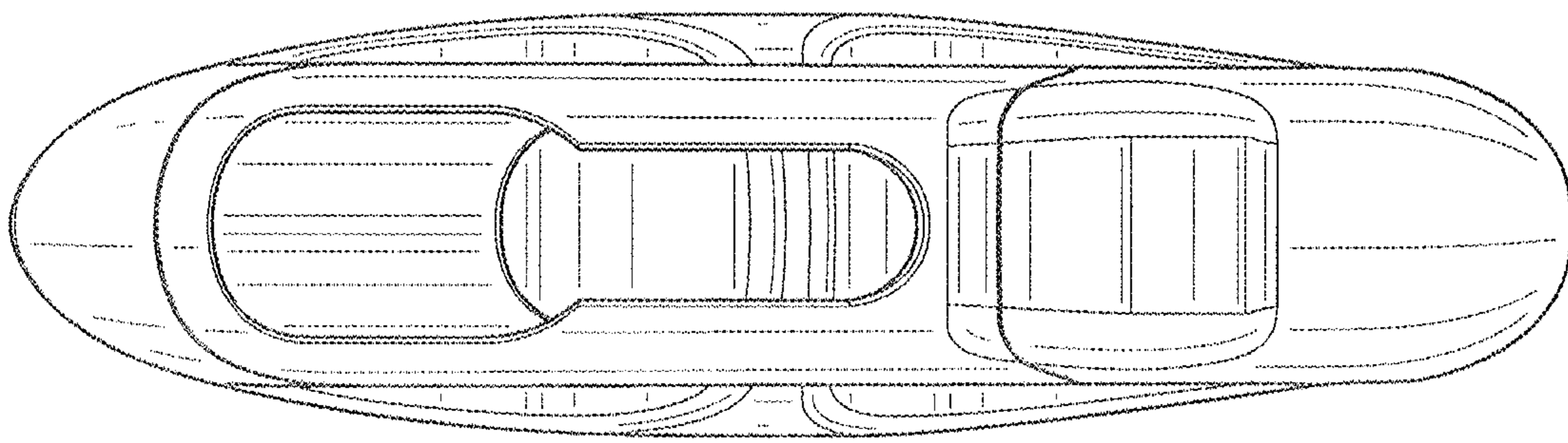


FIG. 7



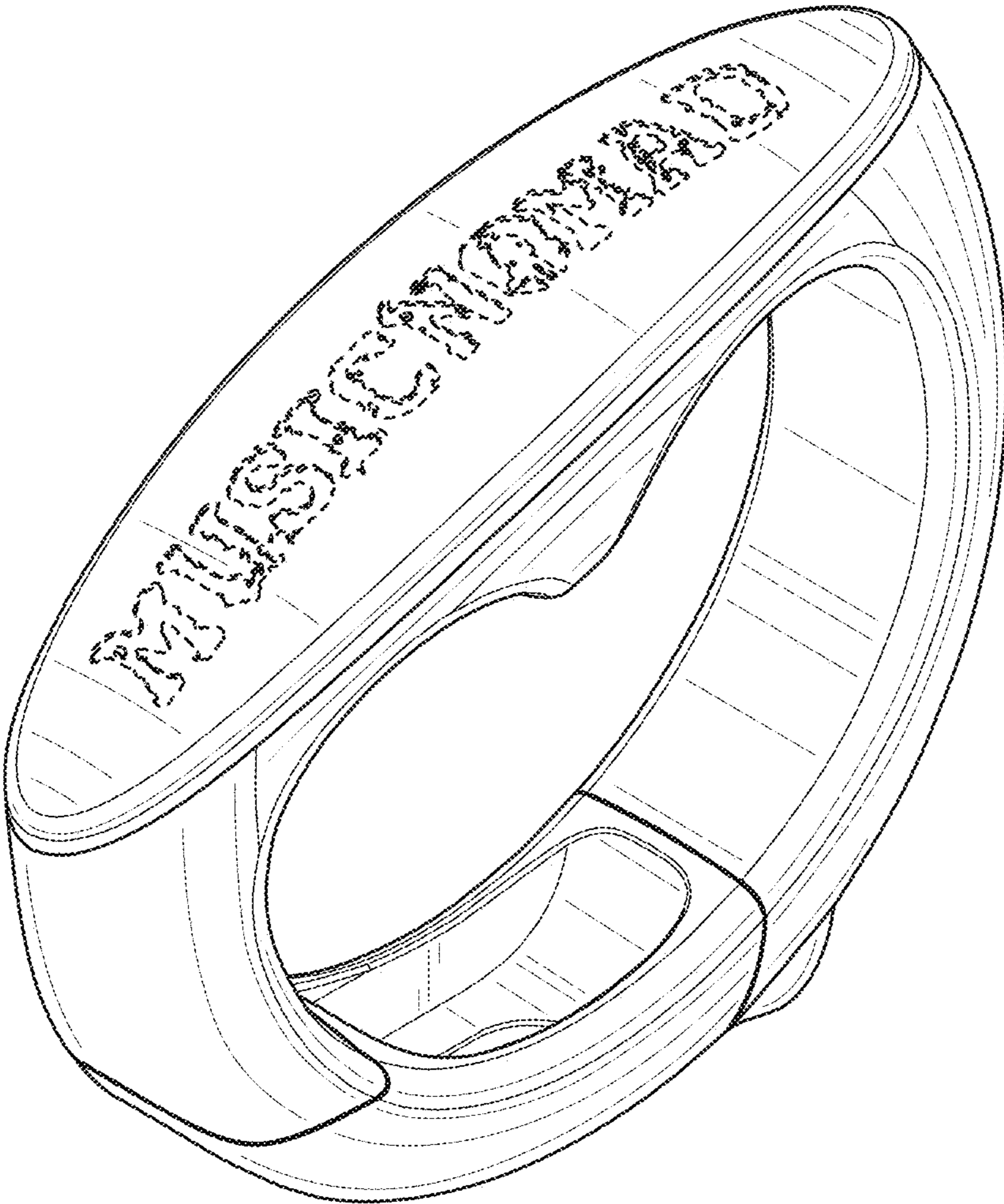


FIG. 8

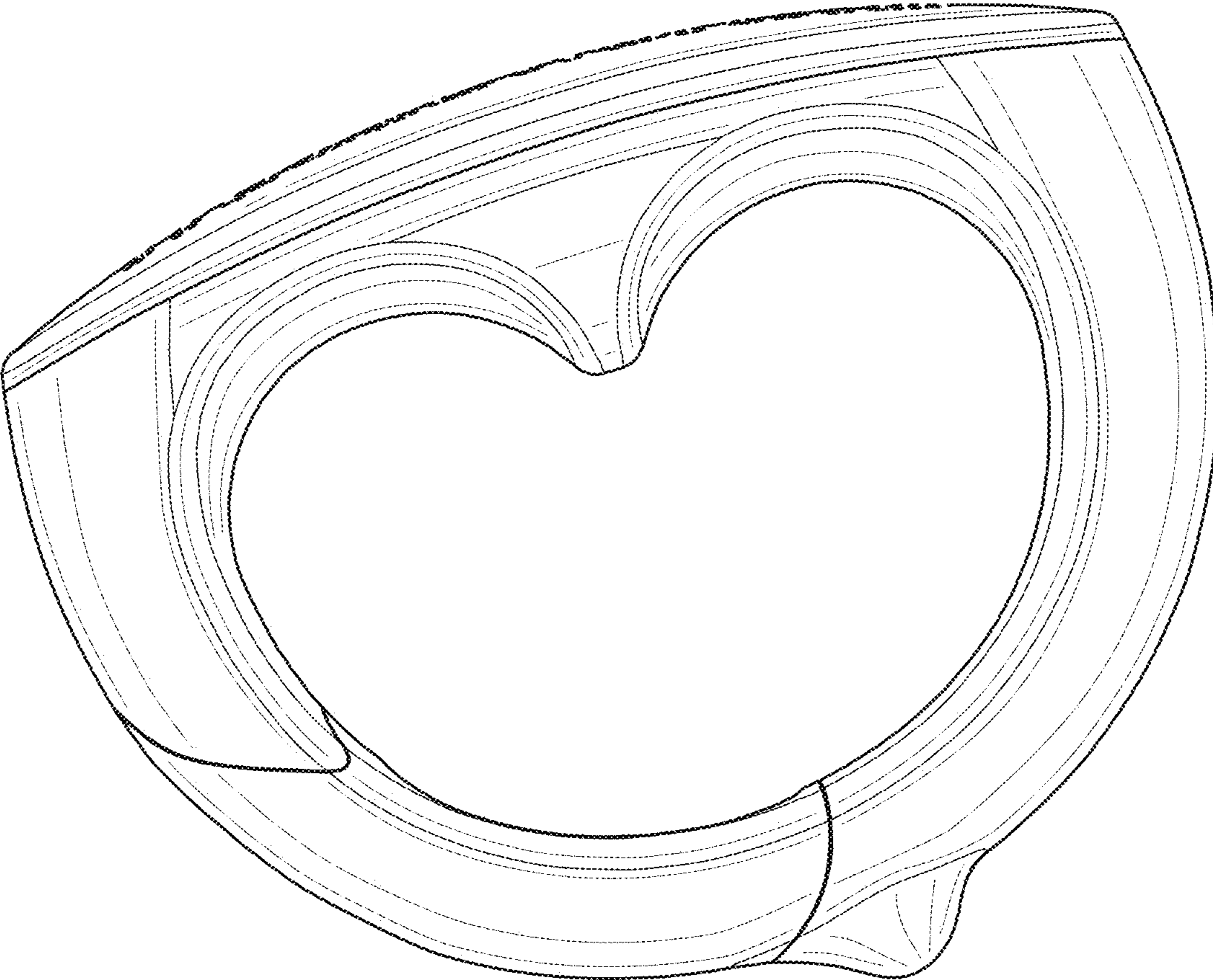


FIG. 9

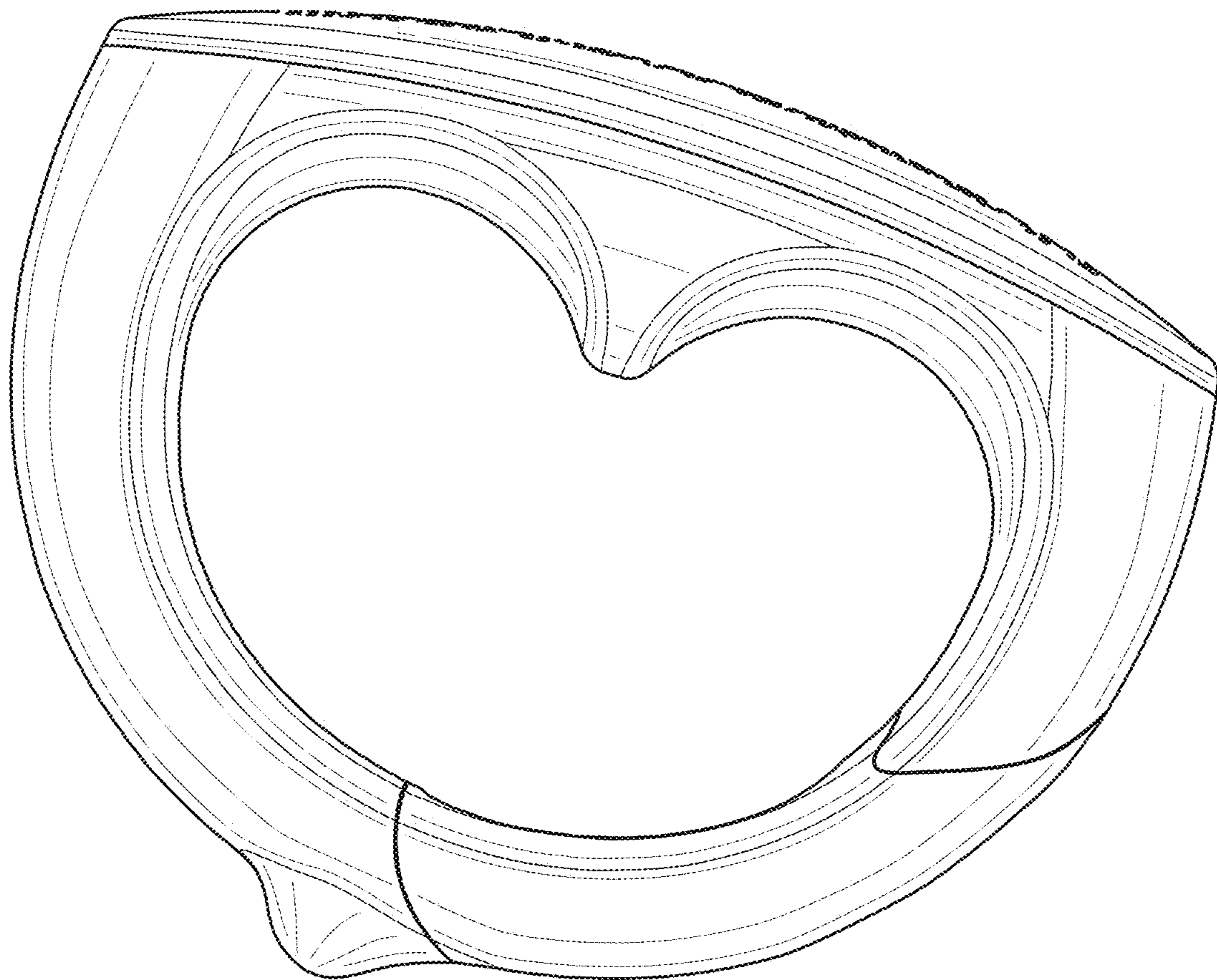


FIG. 10

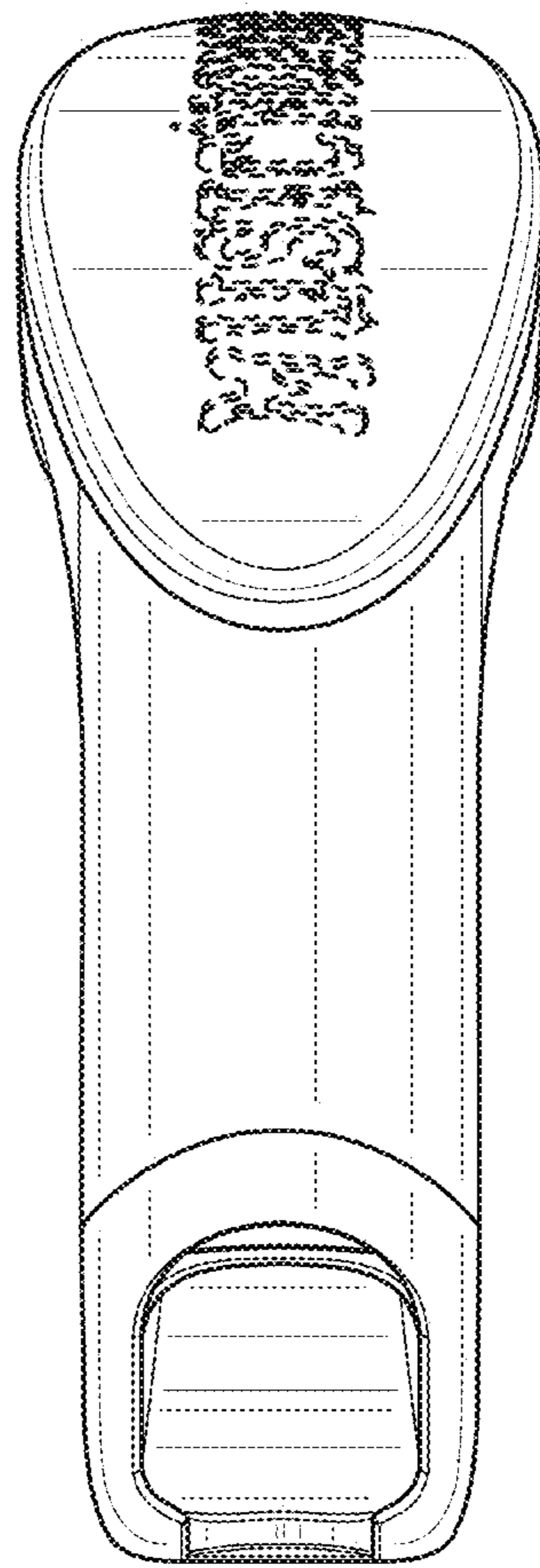


FIG. 11

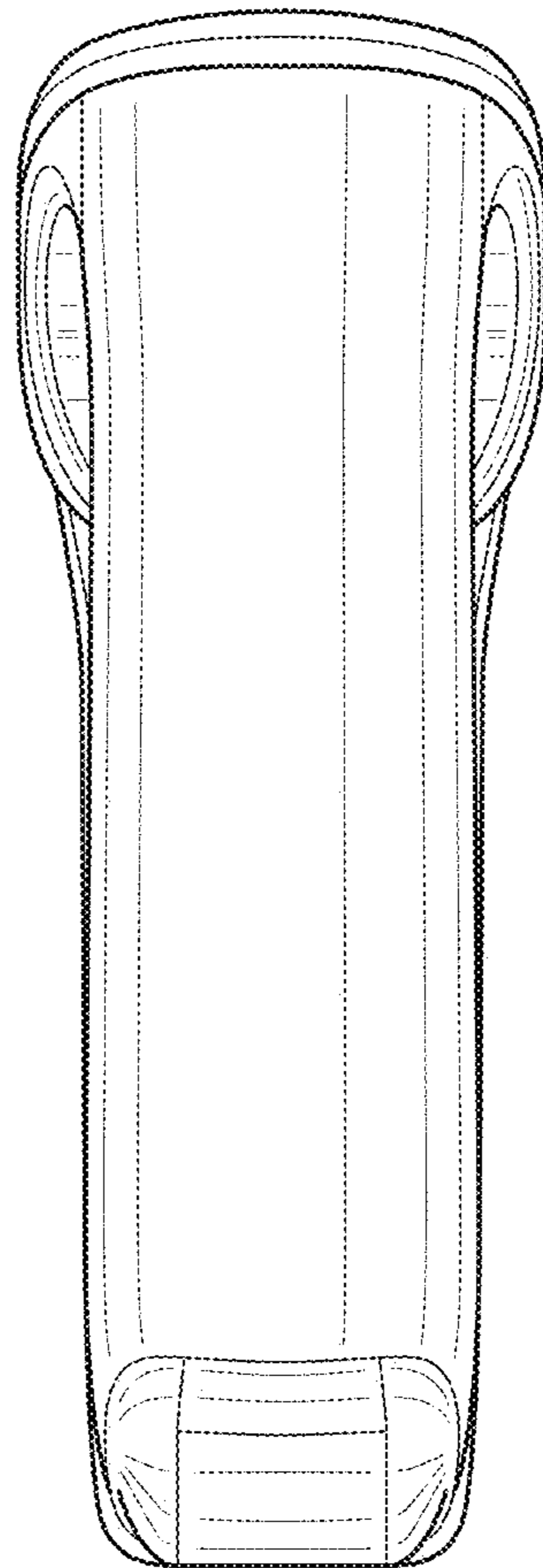


FIG. 12

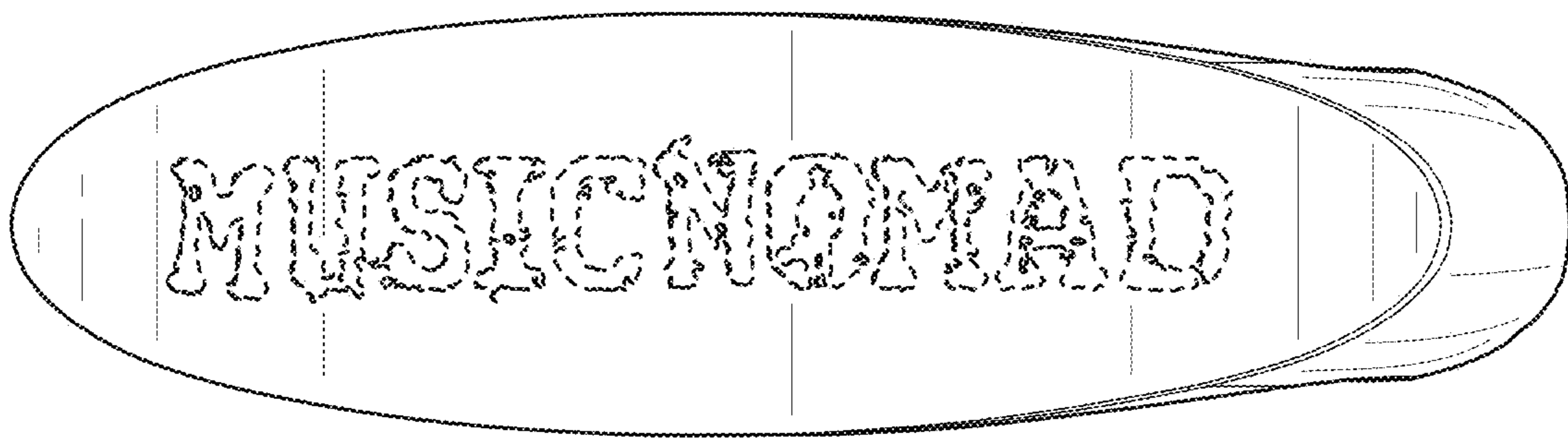


FIG. 13

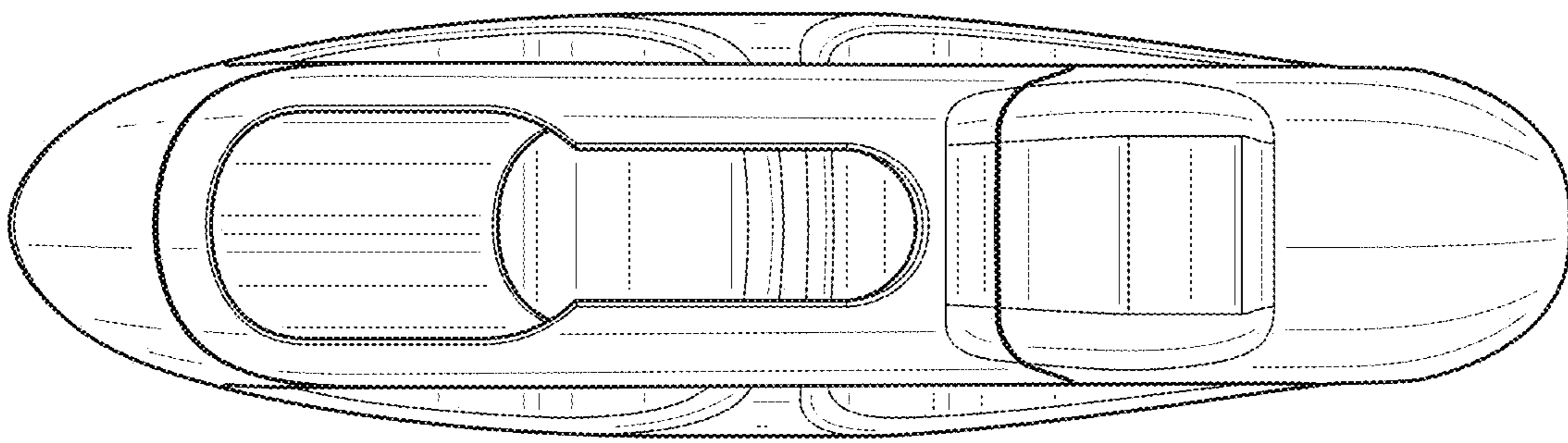


FIG. 14