



US00D981469S

(12) **United States Design Patent**  
**Qiu**

(10) **Patent No.:** **US D981,469 S**  
(45) **Date of Patent:** **\*\* Mar. 21, 2023**

- (54) **SELFIE STICK TRIPOD**
- (71) Applicant: **Zhiyong Qiu**, Guangzhou (CN)
- (72) Inventor: **Zhiyong Qiu**, Guangzhou (CN)
- (\*\*) Term: **15 Years**
- (21) Appl. No.: **29/858,691**
- (22) Filed: **Nov. 3, 2022**

**Related U.S. Application Data**

- (63) Continuation-in-part of application No. 29/849,136, filed on Aug. 9, 2022.
- (51) **LOC (14) Cl.** ..... **16-05**
- (52) **U.S. Cl.**  
USPC ..... **D16/243**
- (58) **Field of Classification Search**  
USPC ..... D8/349, 363, 373; D16/219, 235,  
D16/237-245; D26/67, 93, 142, 150  
CPC ..... F16M 11/14; F16M 11/16; F16M 11/32;  
F16M 11/38; G03B 17/561; G03B  
17/566; G02B 7/00-002  
See application file for complete search history.

(56) **References Cited**

**U.S. PATENT DOCUMENTS**

- D765,650 S \* 9/2016 Huang ..... D16/244
- D799,448 S \* 10/2017 Zheng ..... D14/217
- D799,465 S 10/2017 Sukphist
- D803,932 S 11/2017 Martin
- D837,868 S 1/2019 Shan
- D841,724 S 2/2019 Huang
- D863,411 S \* 10/2019 Liao ..... D16/243
- D864,281 S 10/2019 Wang
- D900,917 S 11/2020 Chen
- D907,687 S 1/2021 Fang
- D909,455 S \* 2/2021 Shan ..... D16/244
- D911,425 S 2/2021 Shan
- D911,427 S \* 2/2021 Silva Casas ..... D16/244

- D921,096 S 6/2021 Chen
- D923,689 S \* 6/2021 Xia ..... D16/243
- D950,634 S 5/2022 Fan
- D958,231 S \* 7/2022 Burns ..... D16/242
- D969,203 S \* 11/2022 Shen ..... D16/244
- D971,305 S \* 11/2022 Deng ..... D16/244
- 2022/0311941 A1 \* 9/2022 Nakao ..... H04N 5/23222

\* cited by examiner

*Primary Examiner* — Richard Kearney  
*Assistant Examiner* — Benjamin M Weeks  
(74) *Attorney, Agent, or Firm* — Rumit Ranjit Kanakia

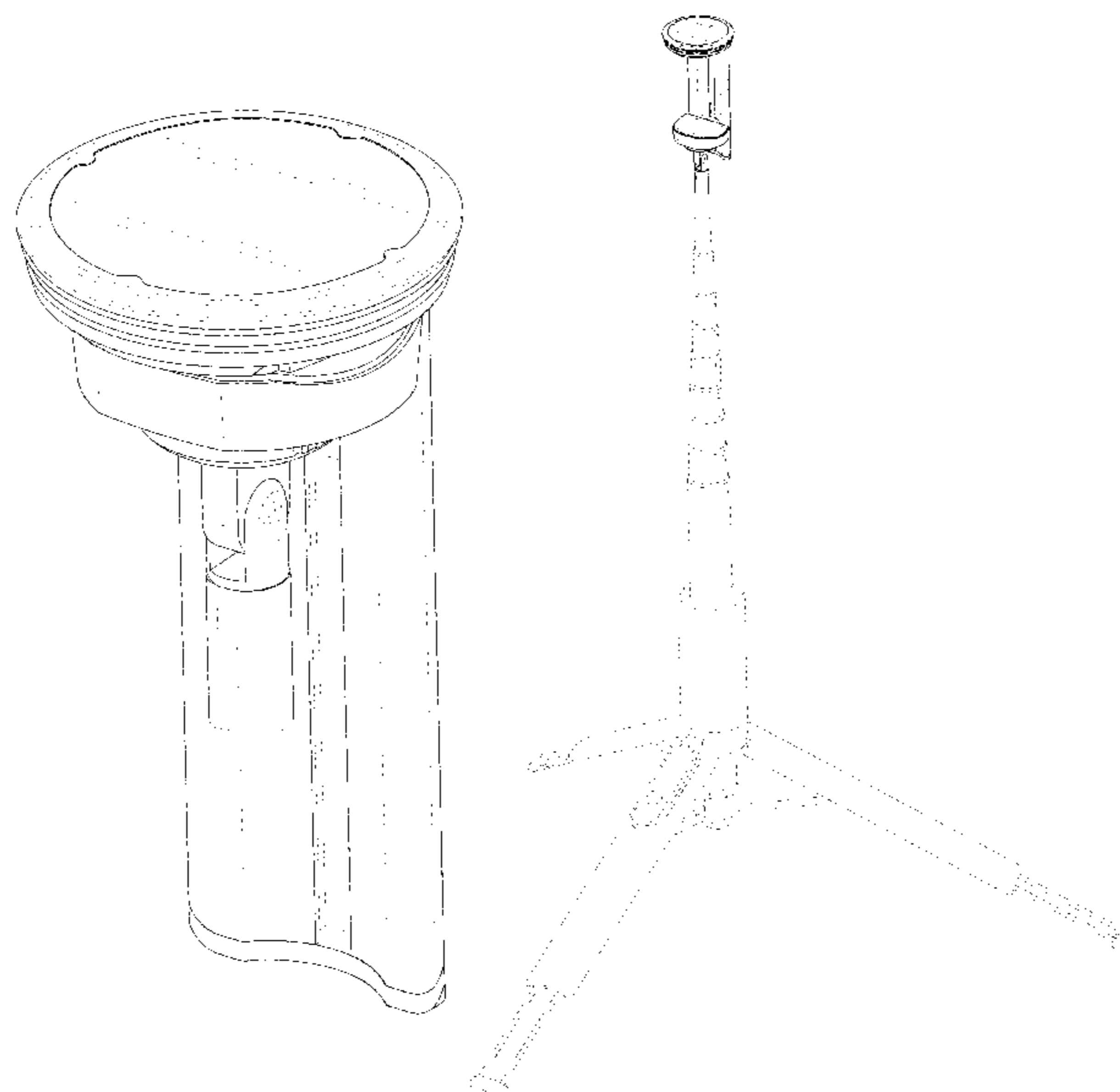
(57) **CLAIM**

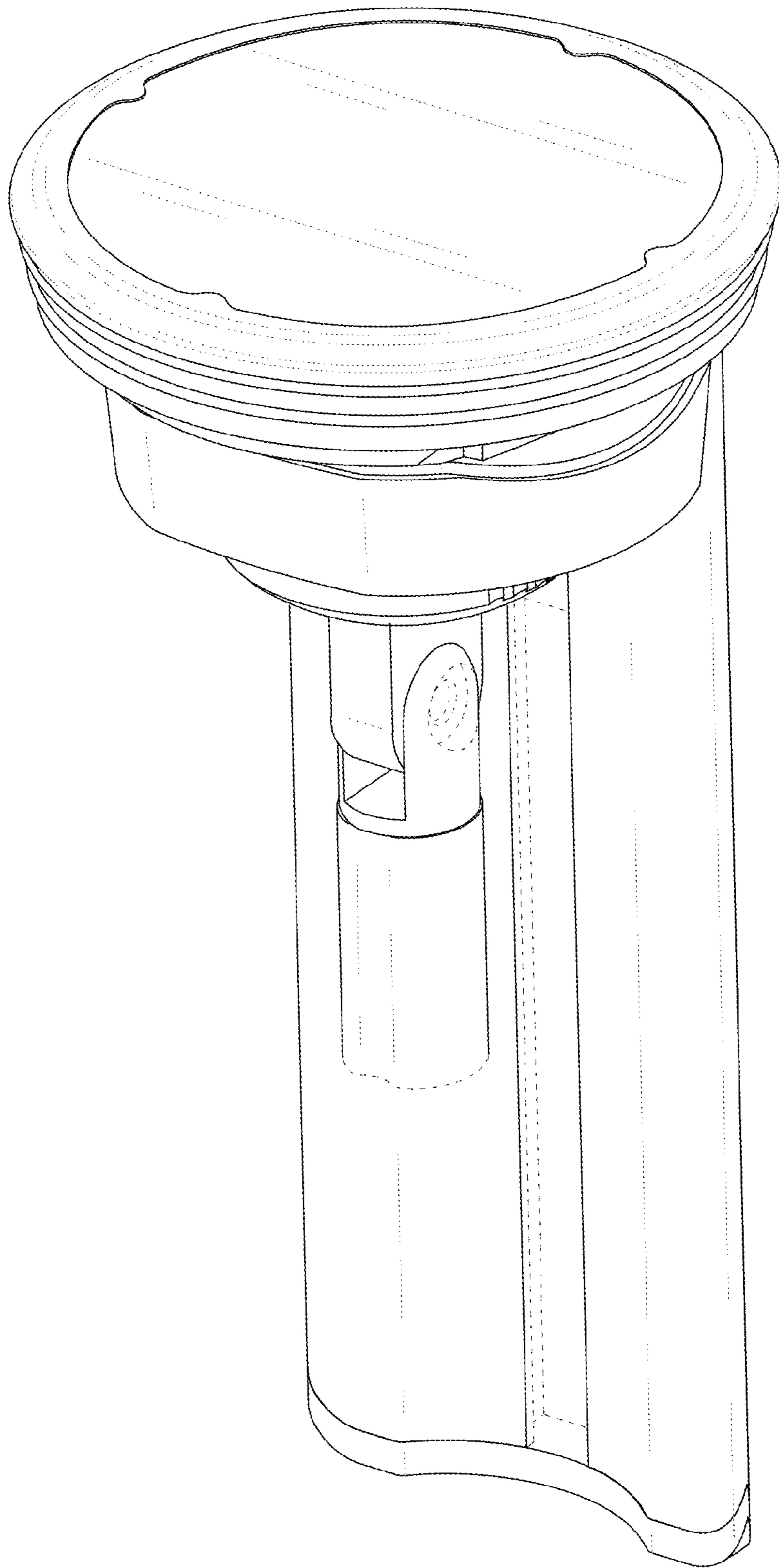
The ornamental design for a selfie stick tripod, as shown and described.

**DESCRIPTION**

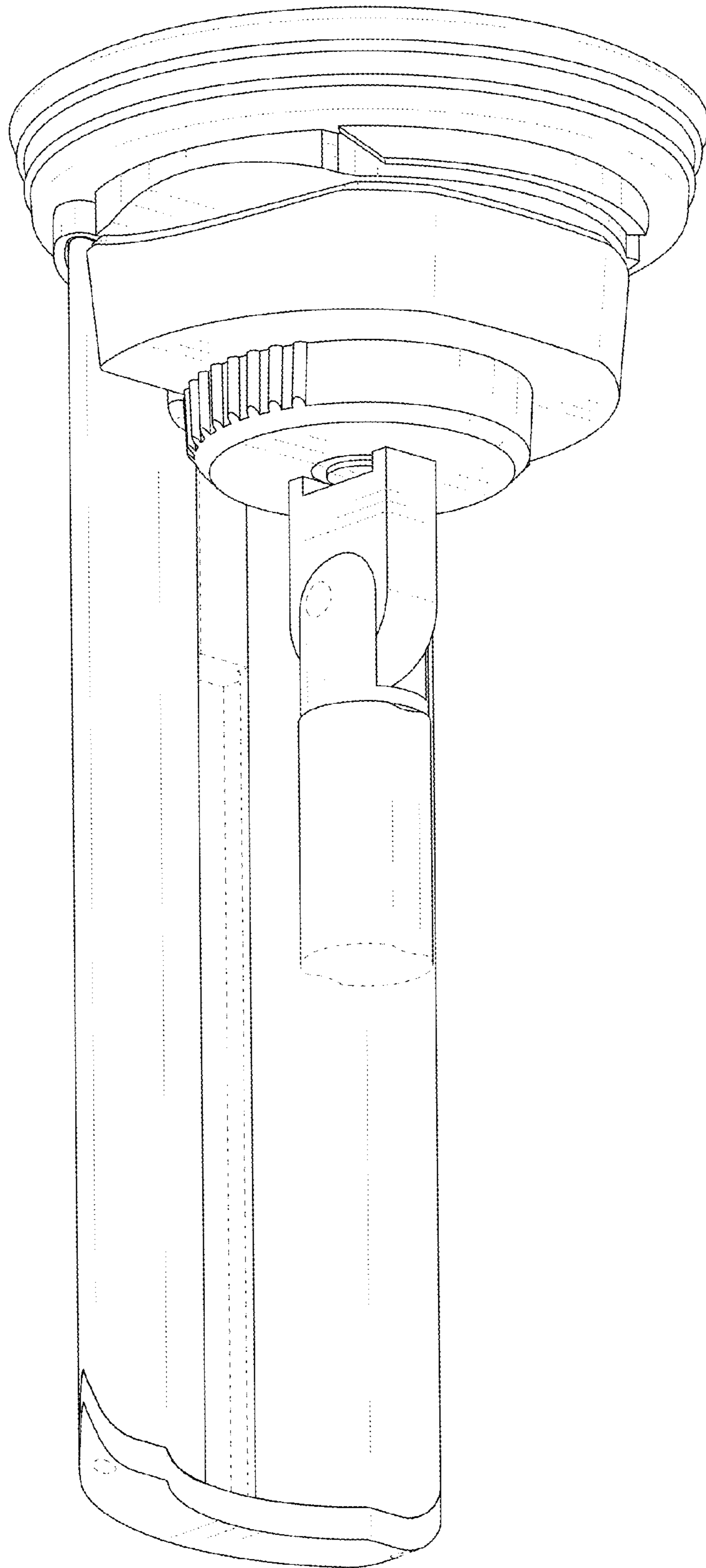
FIG. 1 is a front perspective view of a selfie stick tripod, showing my new design;  
 FIG. 2 is another front perspective view in another angle thereof;  
 FIG. 3 is a rear perspective view thereof;  
 FIG. 4 is a front elevational view thereof;  
 FIG. 5 is a rear elevational view thereof;  
 FIG. 6 is a left side view thereof;  
 FIG. 7 is a right side view thereof;  
 FIG. 8 is a top plan view thereof;  
 FIG. 9 is a bottom plan view thereof;  
 FIG. 10 is a front perspective view of the selfie stick tripod in an open state;  
 FIG. 11 is the second front perspective view in another angle of the selfie stick tripod in an open state; and,  
 FIG. 12 is the third front perspective view of the selfie stick tripod in an open and used state.  
 The broken lines in the drawings are for the purposes of illustrating portions of the selfie stick tripod and form no part of the claimed design.

**1 Claim, 12 Drawing Sheets**

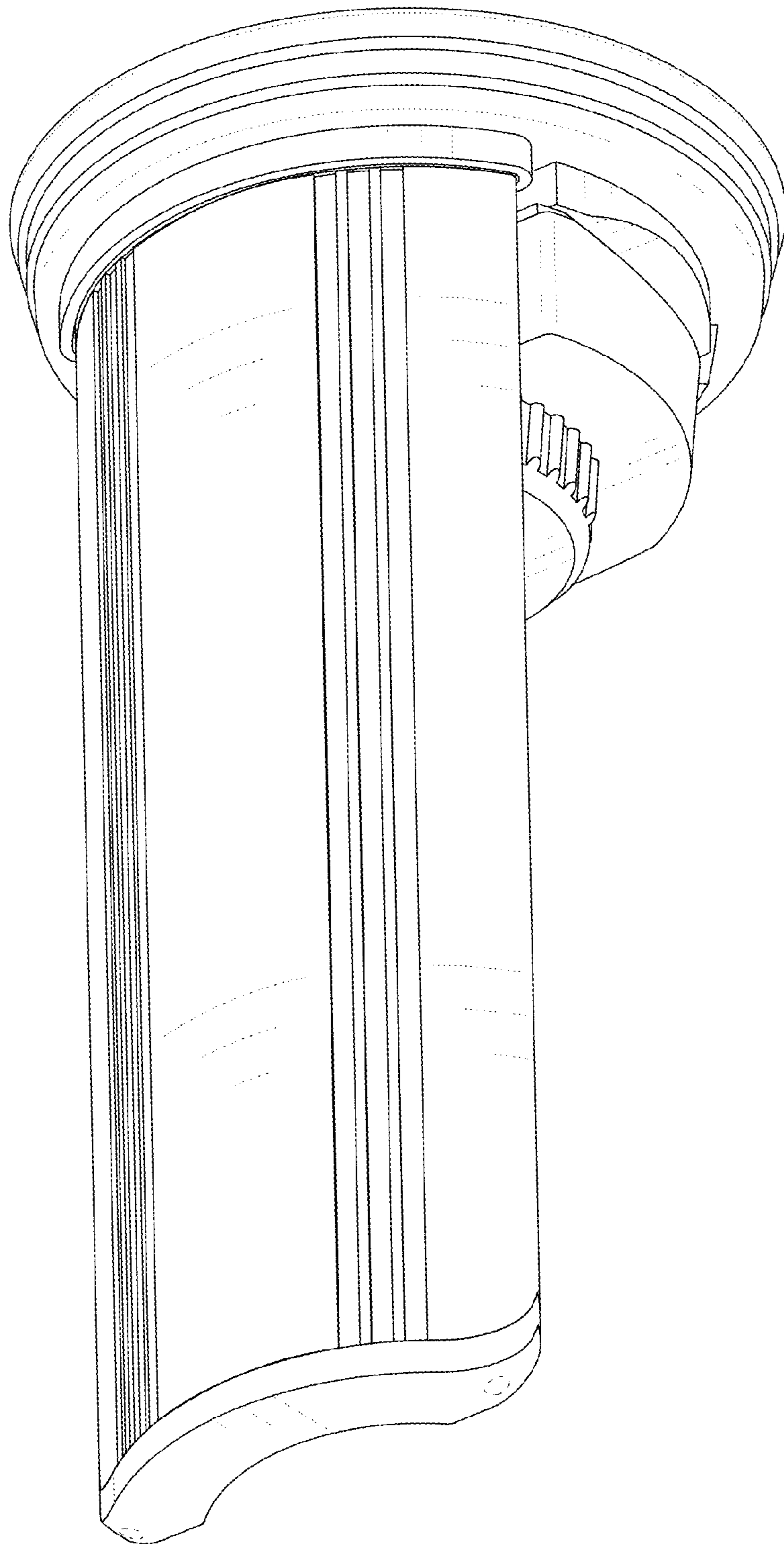




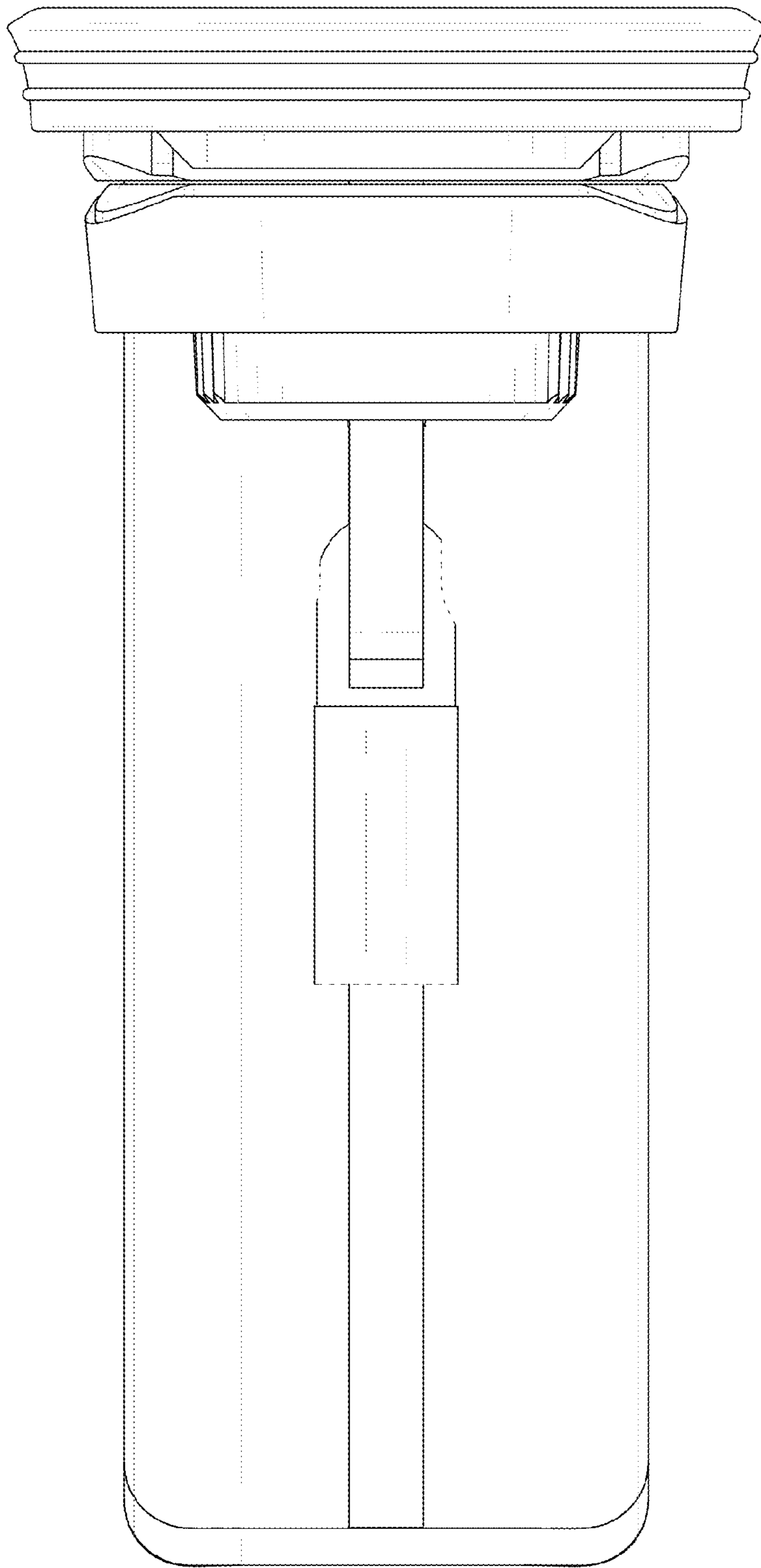
**FIG. 1**



**FIG. 2**

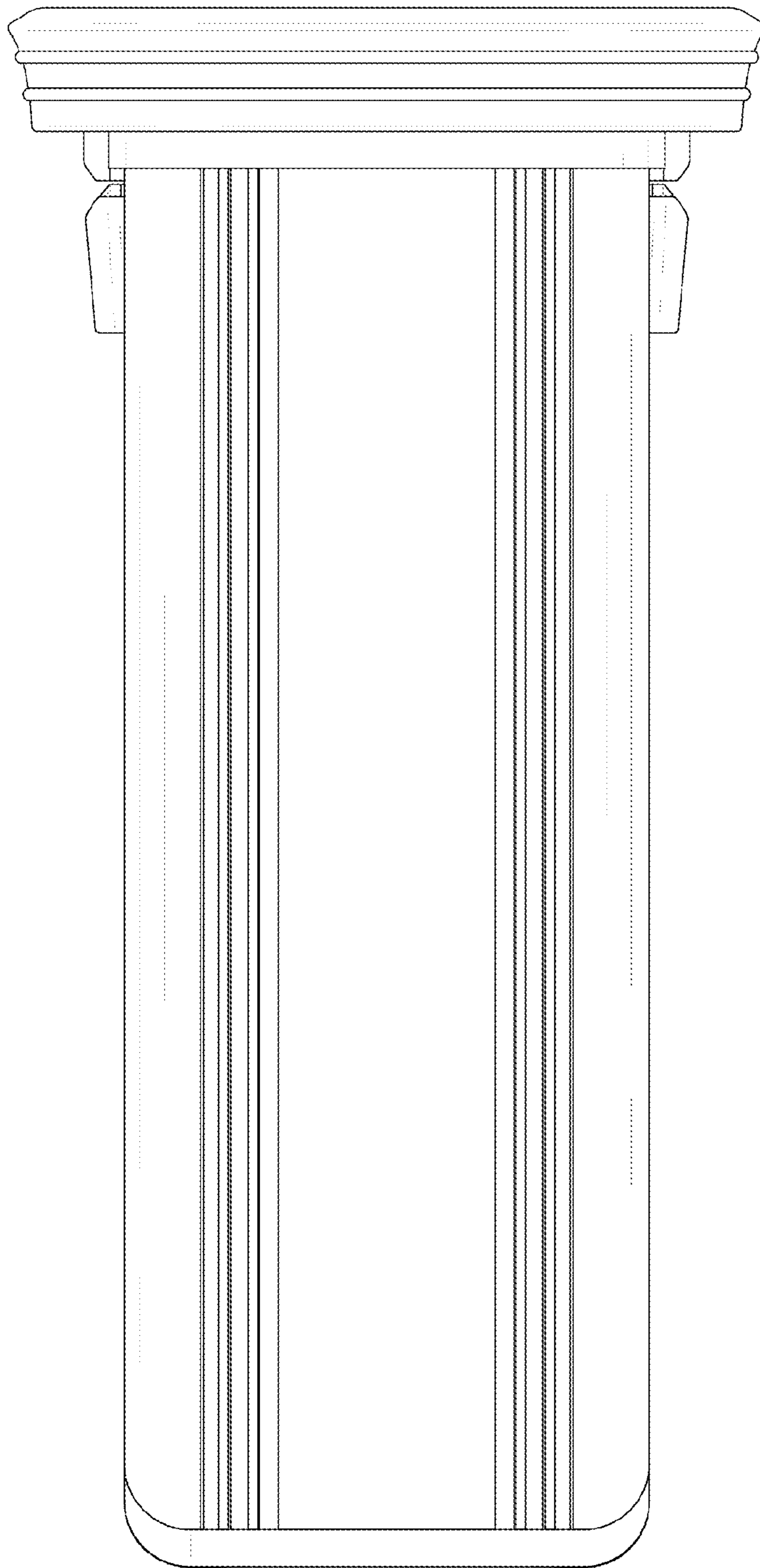


**FIG. 3**

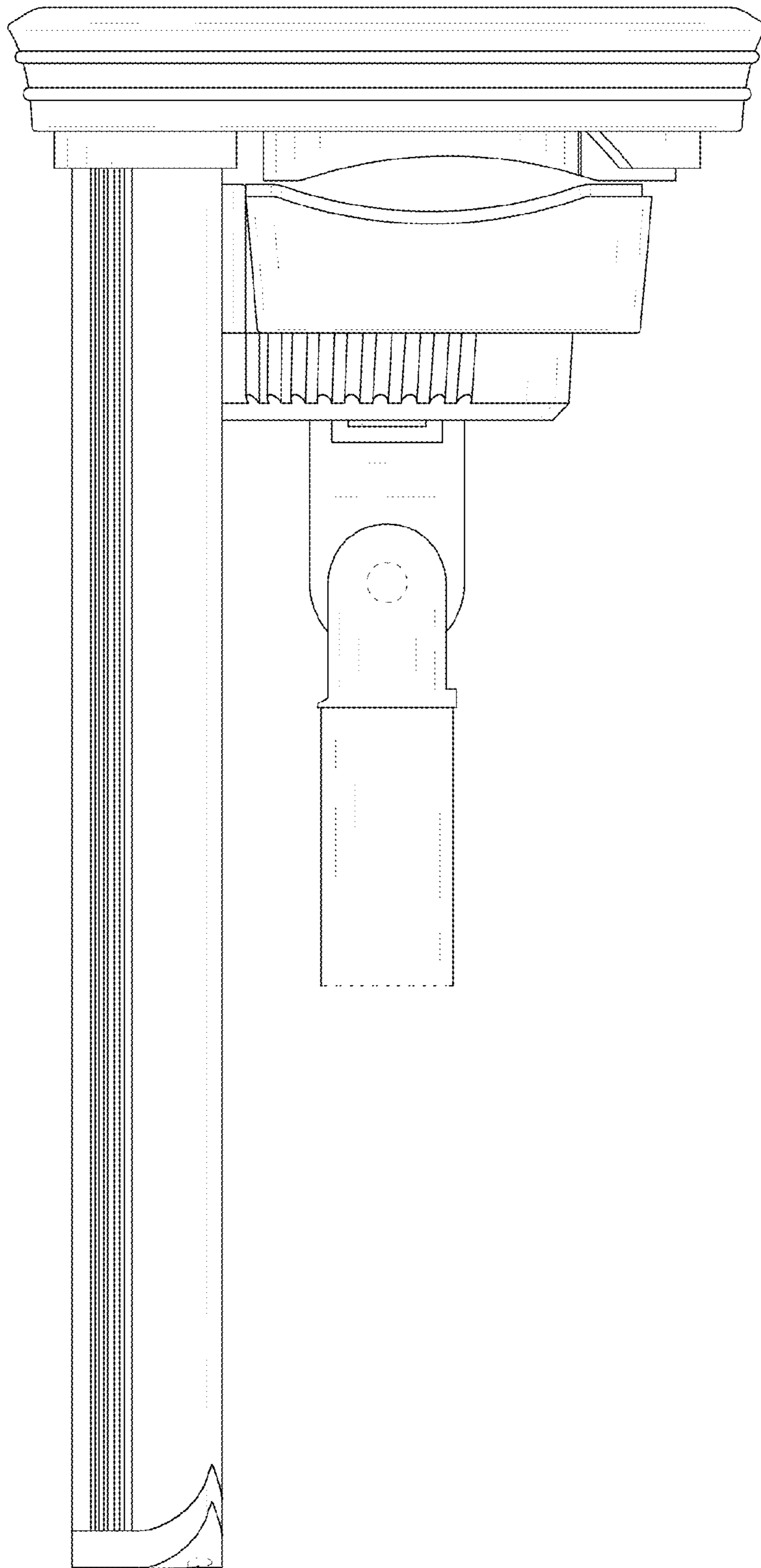


**FIG. 4**

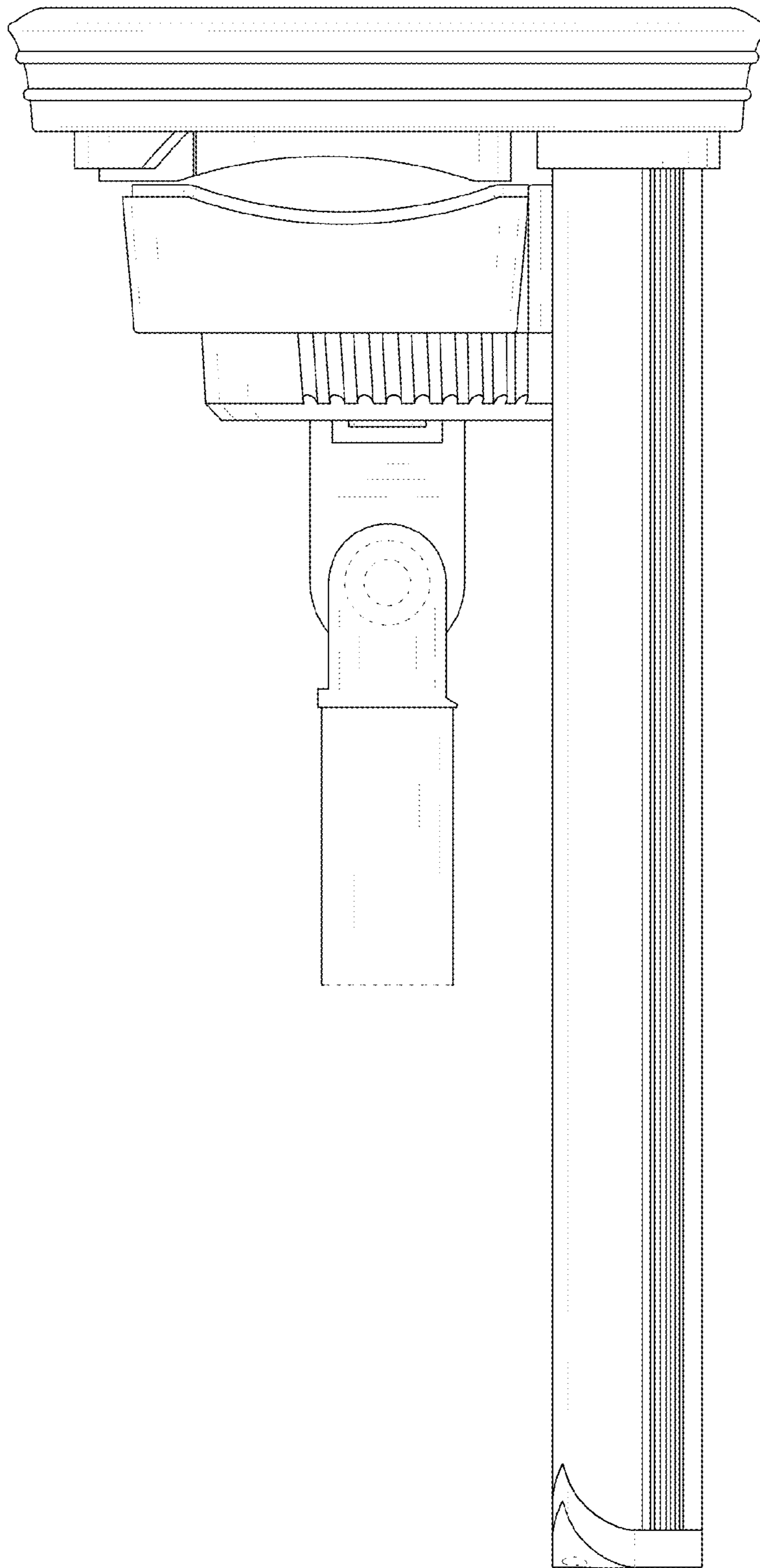




**FIG. 5**

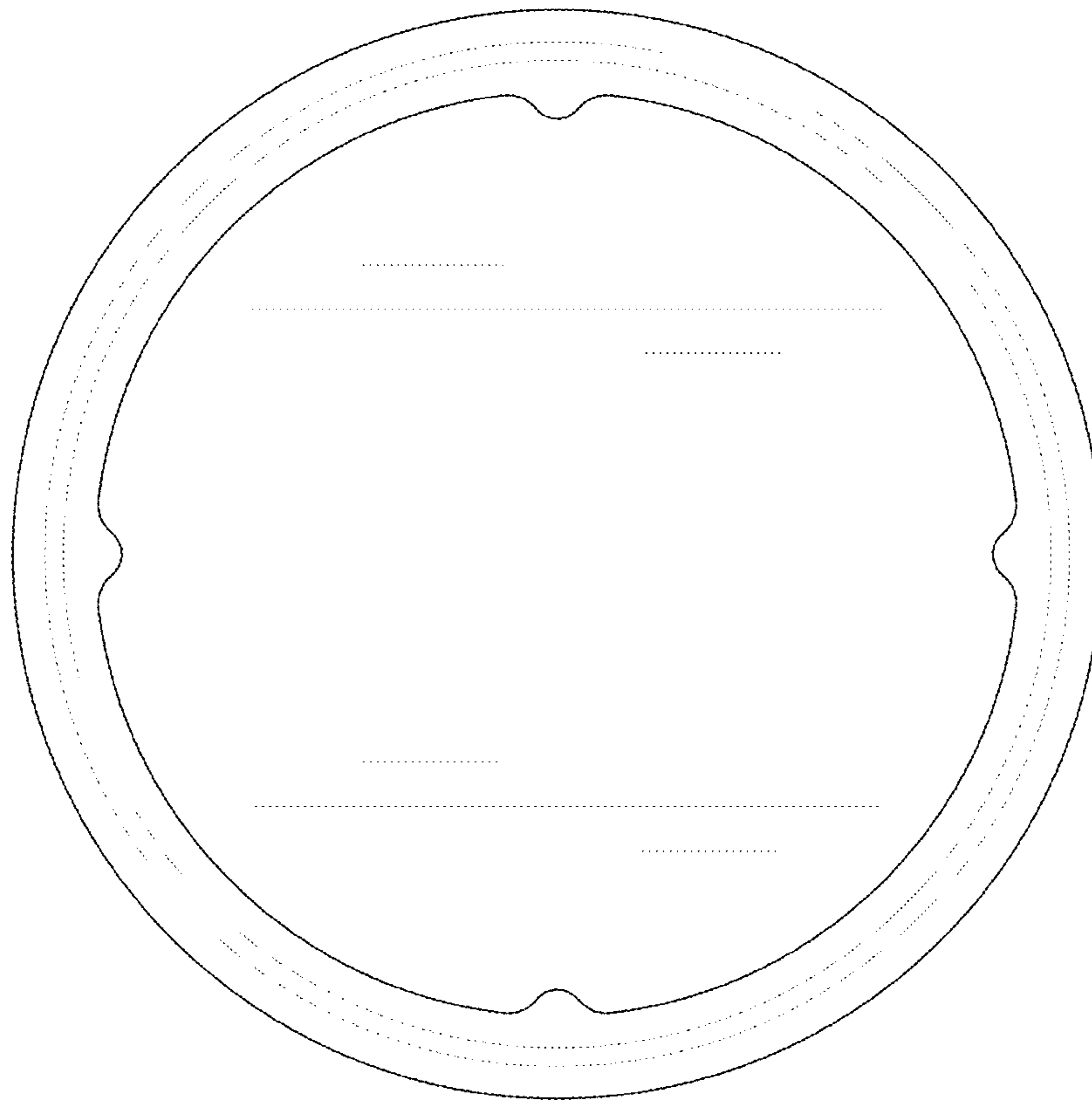


**FIG. 6**

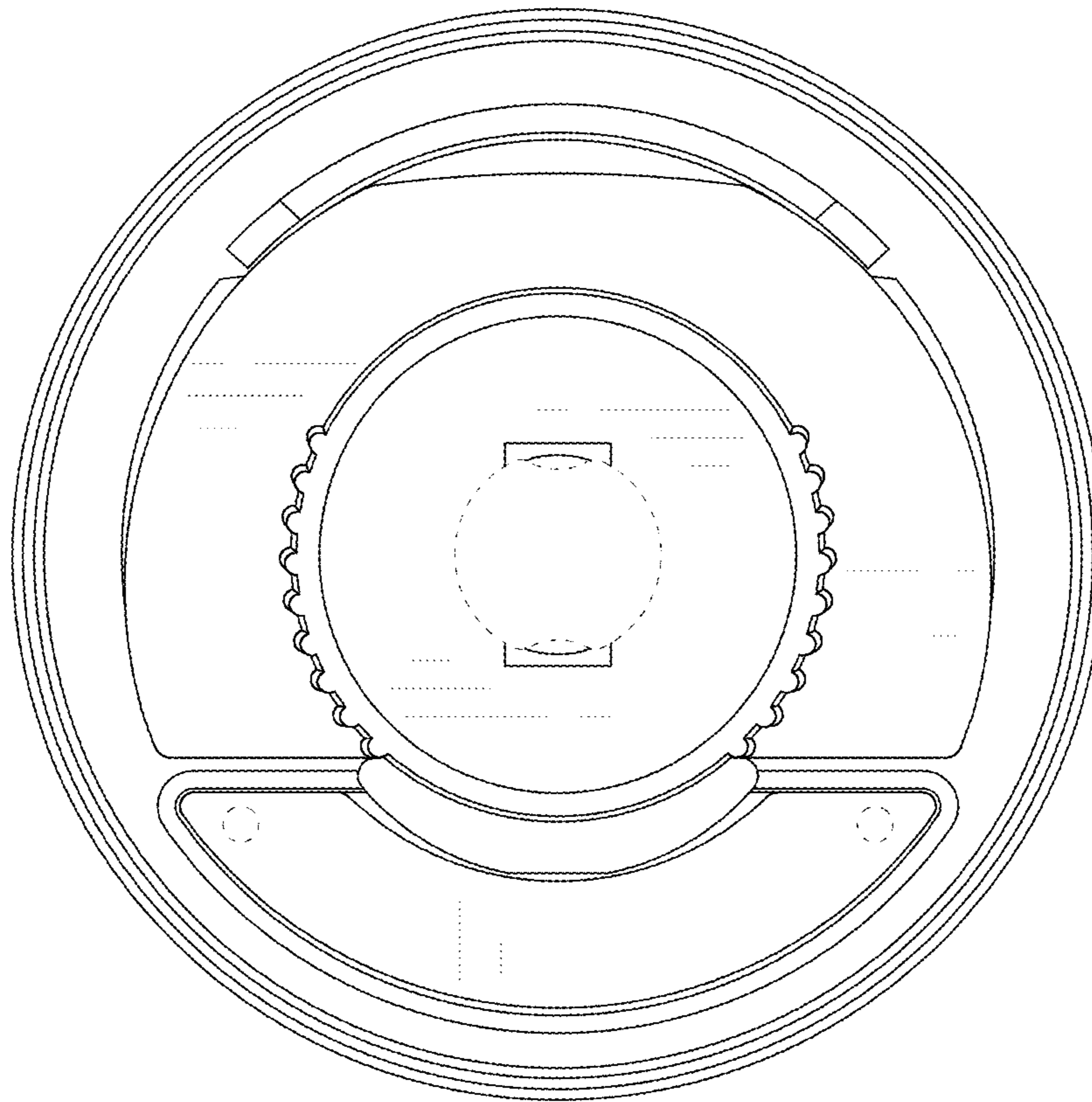


**FIG. 7**

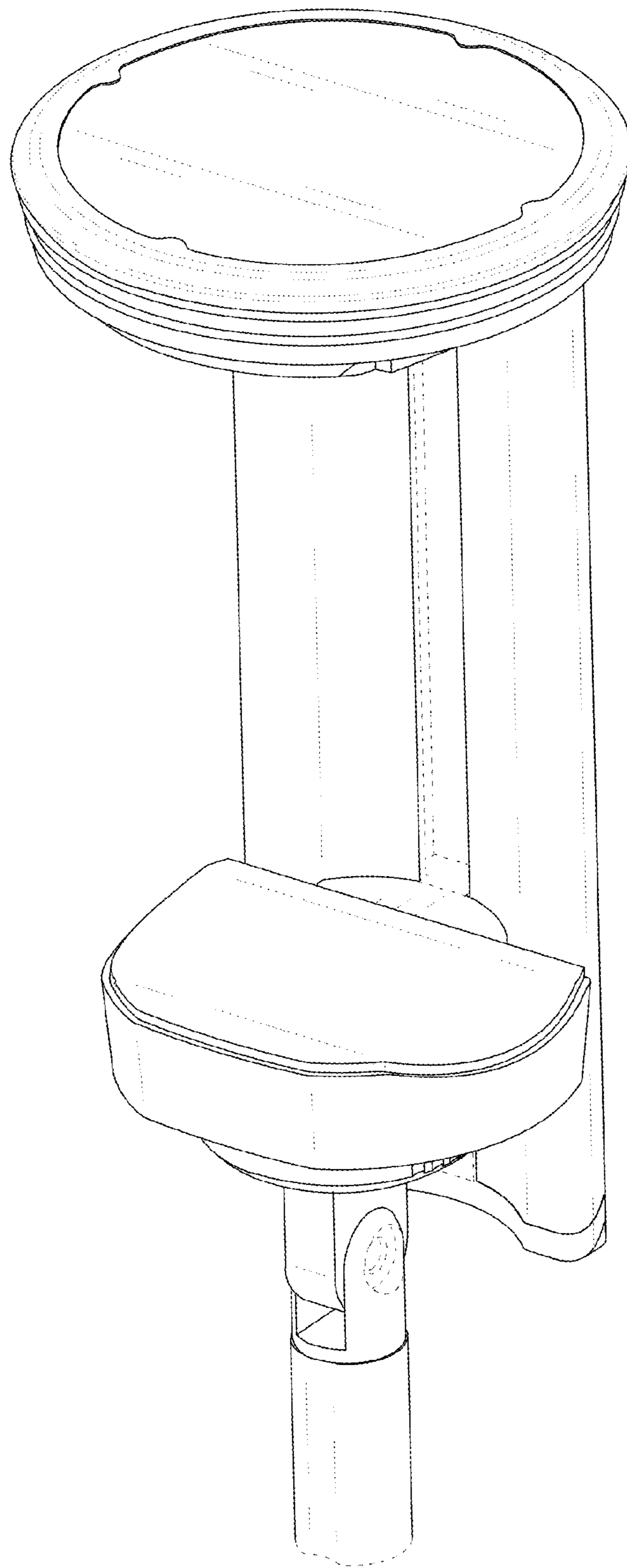




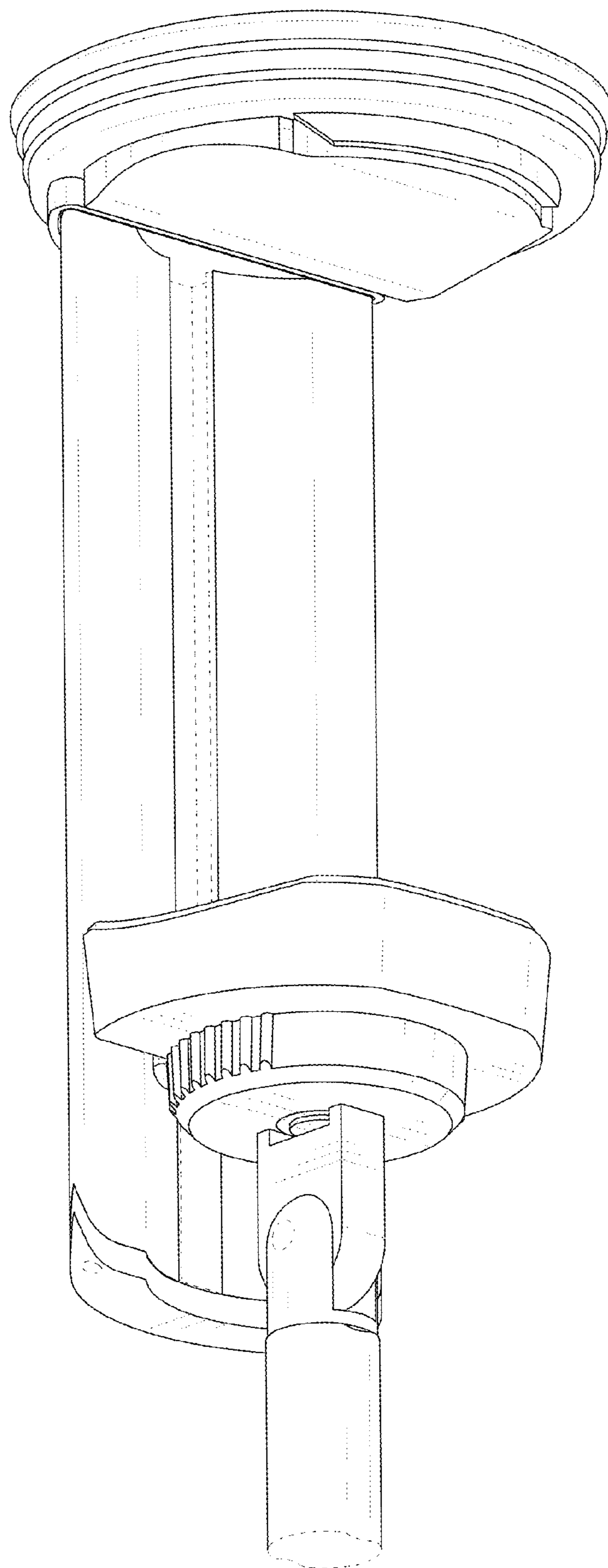
***FIG. 8***



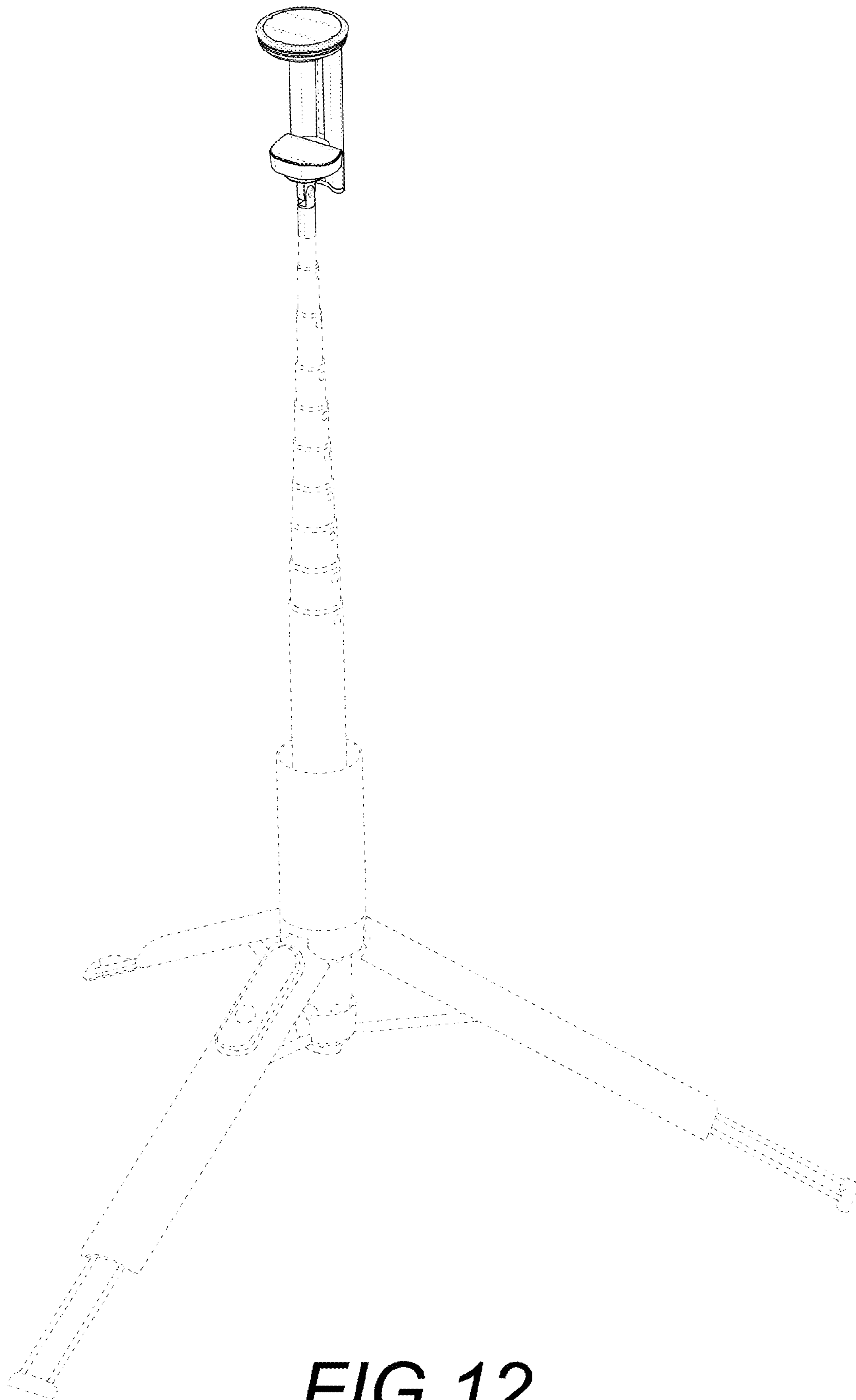
**FIG. 9**



**FIG. 10**



**FIG. 11**



**FIG. 12**