



US00D981467S

(12) **United States Design Patent**
Sheng et al.

(10) **Patent No.:** **US D981,467 S**
(45) **Date of Patent:** **** Mar. 21, 2023**

(54) **CAMERA**

D300,572 S 4/1989 Del Rosario
D305,426 S 1/1990 Doi
D317,446 S 6/1991 Vossoughi et al.
(Continued)

(71) Applicant: **AVISION INC.**, Hsinchu (TW)

(72) Inventors: **Shao-Lan Sheng**, Hsinchu (TW);
Chao-Yu Peng, Hsinchu (TW)

(73) Assignee: **AVISION INC.**, Hsinchu (TW)

(**) Term: **15 Years**

(21) Appl. No.: **29/726,391**

(22) Filed: **Mar. 3, 2020**

FOREIGN PATENT DOCUMENTS

CN 304689832 6/2018
CN 304689833 6/2018
(Continued)

OTHER PUBLICATIONS

“ELP VGA Super Mini VGA USB Camera Module with 120degree Lens” from Amazon.com, first available Apr. 2, 2016 from the internet <<https://www.amazon.com/ELP-Super-Camera-Module-120degree/dp/B01DRG25KG/?>> (Year: 2016).*
(Continued)

Related U.S. Application Data

(63) Continuation-in-part of application No. 29/631,789, filed on Jan. 3, 2018.

(51) **LOC (14) Cl.** **16-01**

(52) **U.S. Cl.**
USPC **D16/219**

(58) **Field of Classification Search**
USPC D16/200, 202, 216, 217, 219; D8/350, D8/353
CPC G03B 11/00; G03B 11/041; G03B 17/00; G03B 17/02; G03B 17/56; G03B 17/58; G03B 19/12; G03B 2217/00; H04N 5/2254

See application file for complete search history.

Primary Examiner — Richard E Chilcot
Assistant Examiner — Lacey Chey Bowman
(74) *Attorney, Agent, or Firm* — WPAT, PC

(57) **CLAIM**

The ornamental design for camera, as shown and described.

DESCRIPTION

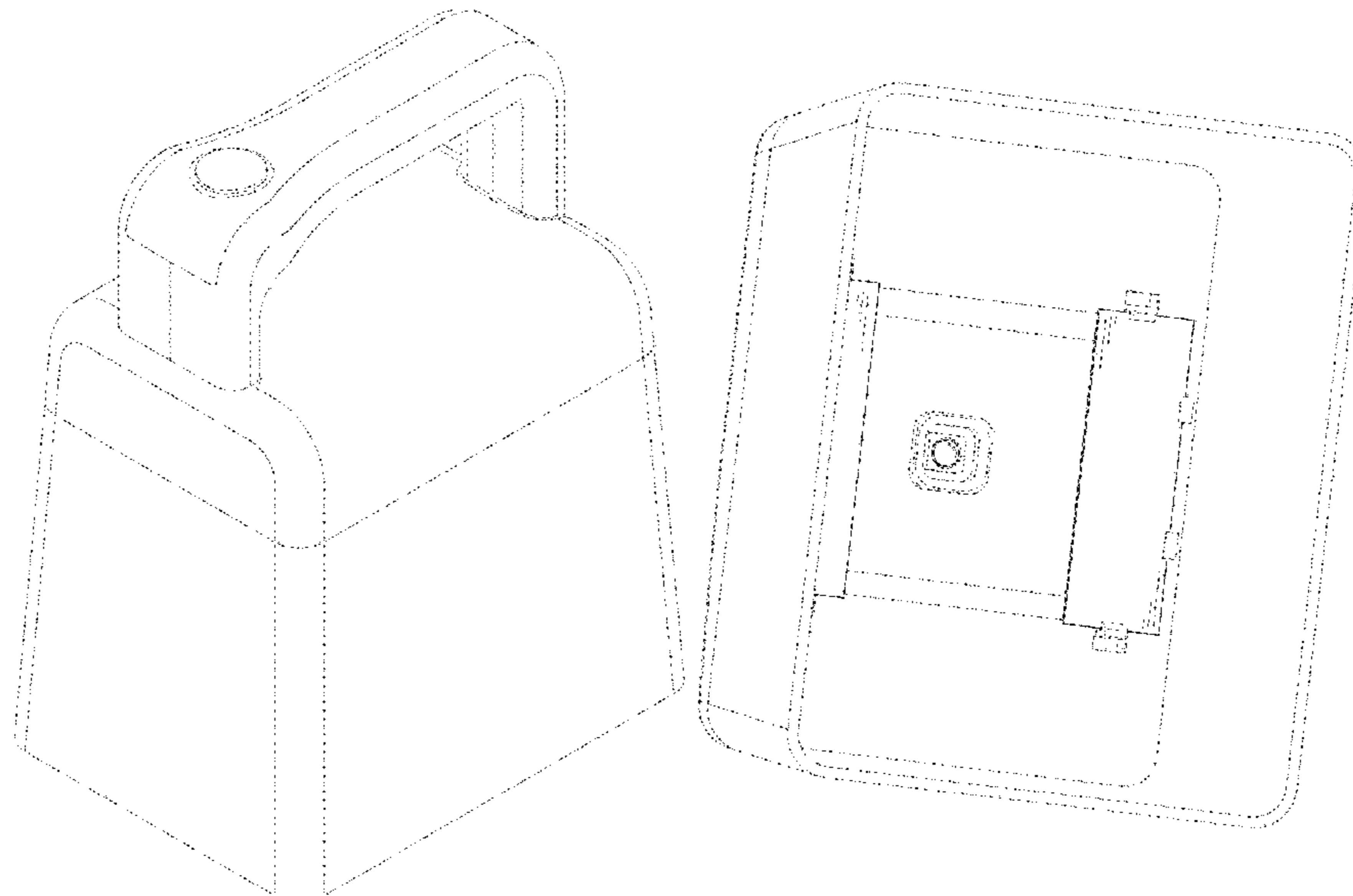
FIG. 1 is a bottom view of a camera showing our new design;
FIG. 2 is a perspective view thereof;
FIG. 3 is a front view thereof;
FIG. 4 is a rear view thereof;
FIG. 5 is a left side view thereof;
FIG. 6 is a right side view thereof;
FIG. 7 is a top view thereof;
FIG. 8 is a bottom perspective view thereof;
FIG. 9 is another bottom perspective view thereof; and,
FIG. 10 is cross-sectional view of the camera of FIG. 1 along a direction 10-10'.
The broken lines shown in the drawings depict portions of the camera that form no part of the claimed design.

(56) **References Cited**

U.S. PATENT DOCUMENTS

1,263,391 A 4/1918 Eickmeyer
D79,367 S 9/1929 Henderson
3,470,644 A 10/1969 Craig
D262,117 S 12/1981 Sasaki
D263,481 S 3/1982 Vest
4,760,227 A * 7/1988 Boxer H01H 23/148
200/338

1 Claim, 10 Drawing Sheets



(56)

References Cited

U.S. PATENT DOCUMENTS

D321,361 S 11/1991 Iino
 D332,461 S 1/1993 Beaupeurt
 D354,670 S * 1/1995 Simon D8/314
 D372,927 S 8/1996 Elmore et al.
 D388,107 S 12/1997 Huckins
 D426,564 S 6/2000 Rose
 D437,798 S 2/2001 Kiba et al.
 D447,760 S 9/2001 Lantz
 D502,197 S * 2/2005 Imai D16/202
 D505,437 S * 5/2005 Do D16/134
 D505,855 S * 6/2005 Millward D8/350
 D509,127 S * 9/2005 Millward D8/350
 D510,945 S * 10/2005 Do D16/134
 D511,675 S * 11/2005 Holger D8/353
 D541,137 S * 4/2007 Fabrizi D8/353
 D564,376 S 3/2008 Price et al.
 D633,121 S 2/2011 Renkis
 D637,752 S 5/2011 Mekhtarian
 D641,386 S 7/2011 Maerzhaeuser et al.
 D664,579 S 7/2012 Tzeng
 D684,569 S 6/2013 Willenborg
 D705,337 S 5/2014 Tani
 D729,796 S * 5/2015 Song D14/344
 D738,887 S 9/2015 Ma et al.
 D750,681 S * 3/2016 Takami D16/202
 D759,092 S 6/2016 Singh et al.
 D769,491 S 10/2016 Lai
 D809,564 S 2/2018 Boren et al.
 D810,178 S 2/2018 Miyamoto et al.
 D810,802 S 2/2018 Schulze
 D814,552 S 4/2018 Cox et al.

D816,990 S 5/2018 Naito et al.
 D827,179 S 8/2018 Mou
 D837,666 S 1/2019 Butler et al.
 D840,450 S 2/2019 Tsujimoto et al.
 D847,171 S 4/2019 Nishiura
 D847,172 S 4/2019 Nishiura
 D870,184 S * 12/2019 Sheng D32/34
 D896,063 S * 9/2020 Baldwin D8/350
 D909,452 S * 2/2021 Sheng D32/34
 2004/0223075 A1 * 11/2004 Furlan H04N 5/2254
 348/E5.04
 2009/0295906 A1 12/2009 Kushimoto et al.
 2014/0086567 A1 3/2014 Feke
 2015/0264232 A1 9/2015 Yang
 2019/0204715 A1 * 7/2019 Sheng G03B 11/045
 2019/0204720 A1 * 7/2019 Sheng H04N 5/232
 2020/0064594 A1 * 2/2020 Jeong G02B 9/64
 2022/0086311 A1 * 3/2022 Jun H04M 1/0264
 2022/0373769 A1 * 11/2022 Jeong G02B 9/64

FOREIGN PATENT DOCUMENTS

CN 304689834 6/2018
 CN 307257139 * 4/2022
 JP D1360742 * 6/2009

OTHER PUBLICATIONS

“Arducam Brings out New TOF Camera Module for Raspberry Pi”
 from Electronics-lab.com, first retrieved Dec. 15, 2022 from the
 internet <<https://www.electronics-lab.com/arducam-brings-out-new-tof-camera-module-for-raspberry-pi/>> (Year: 2022).*

* cited by examiner

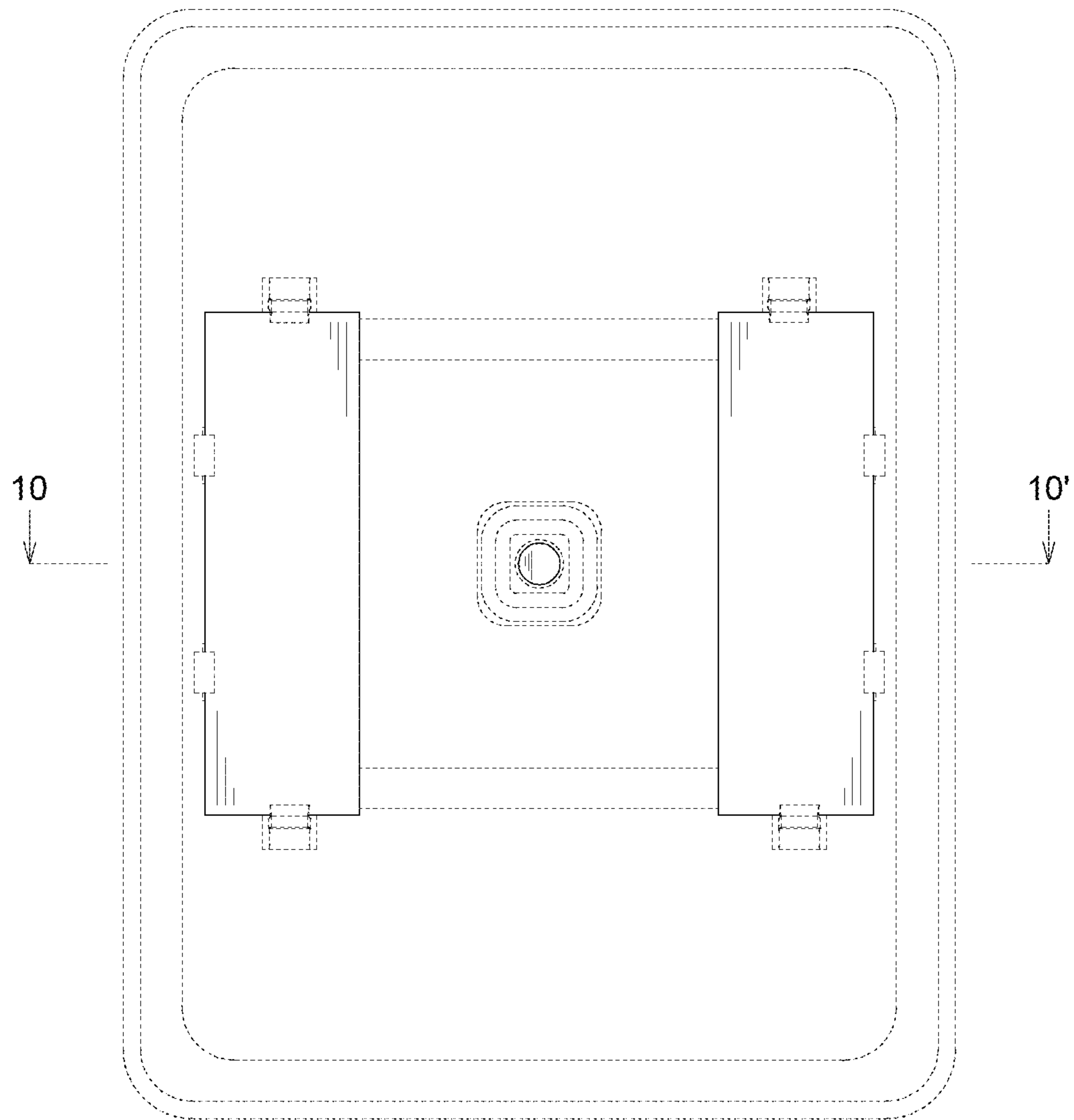


FIG. 1



FIG. 2

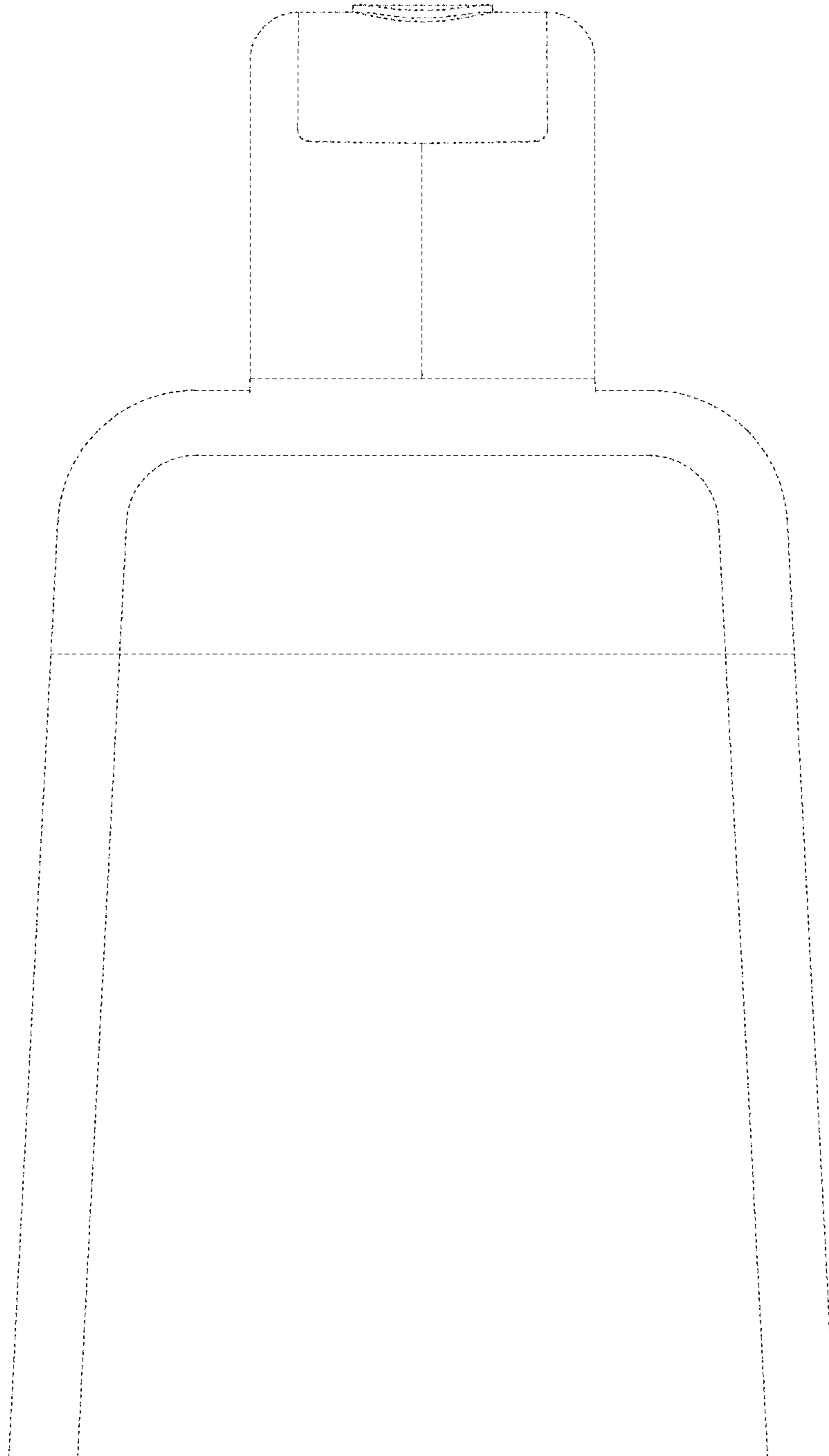


FIG. 3

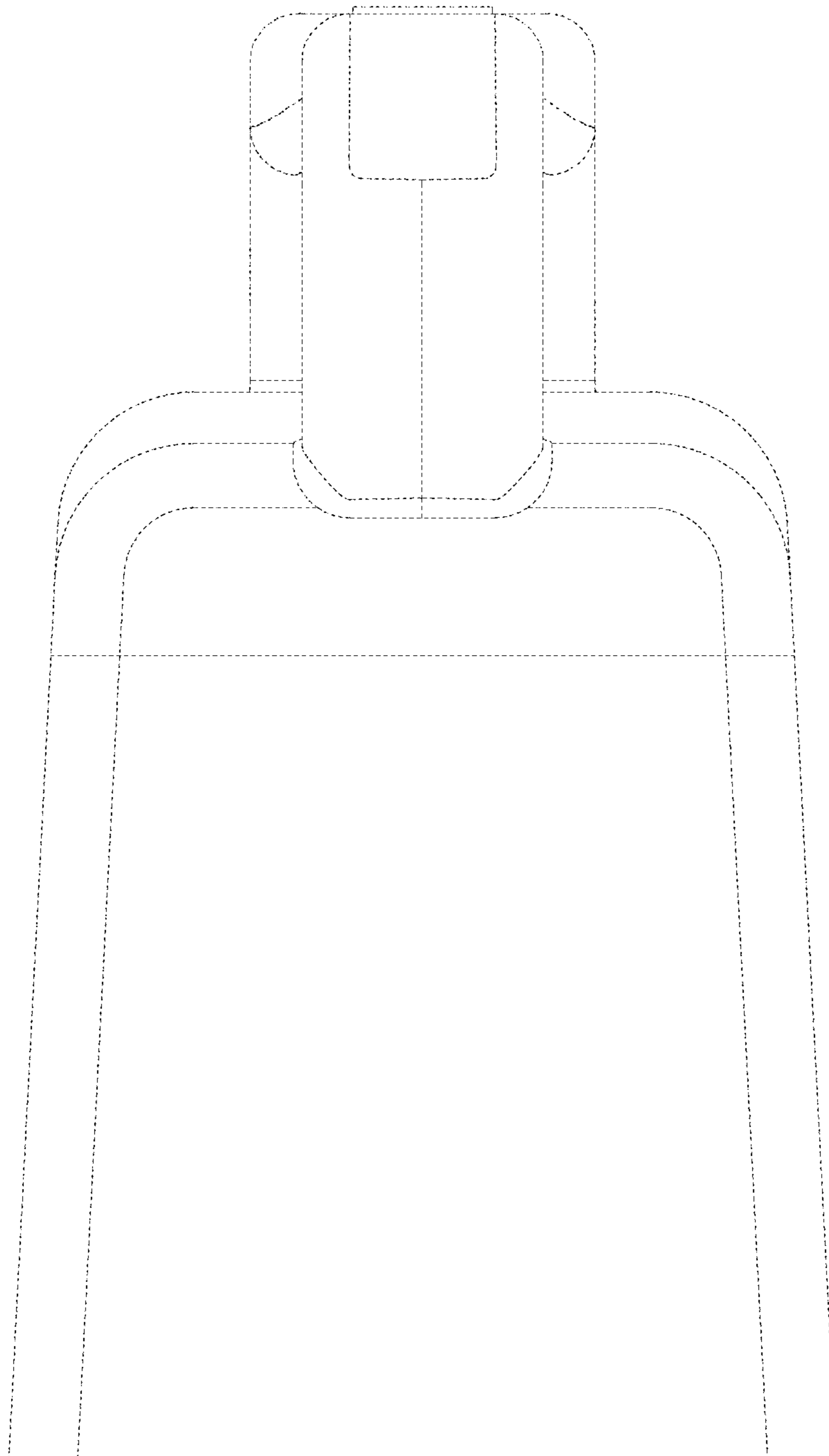


FIG. 4

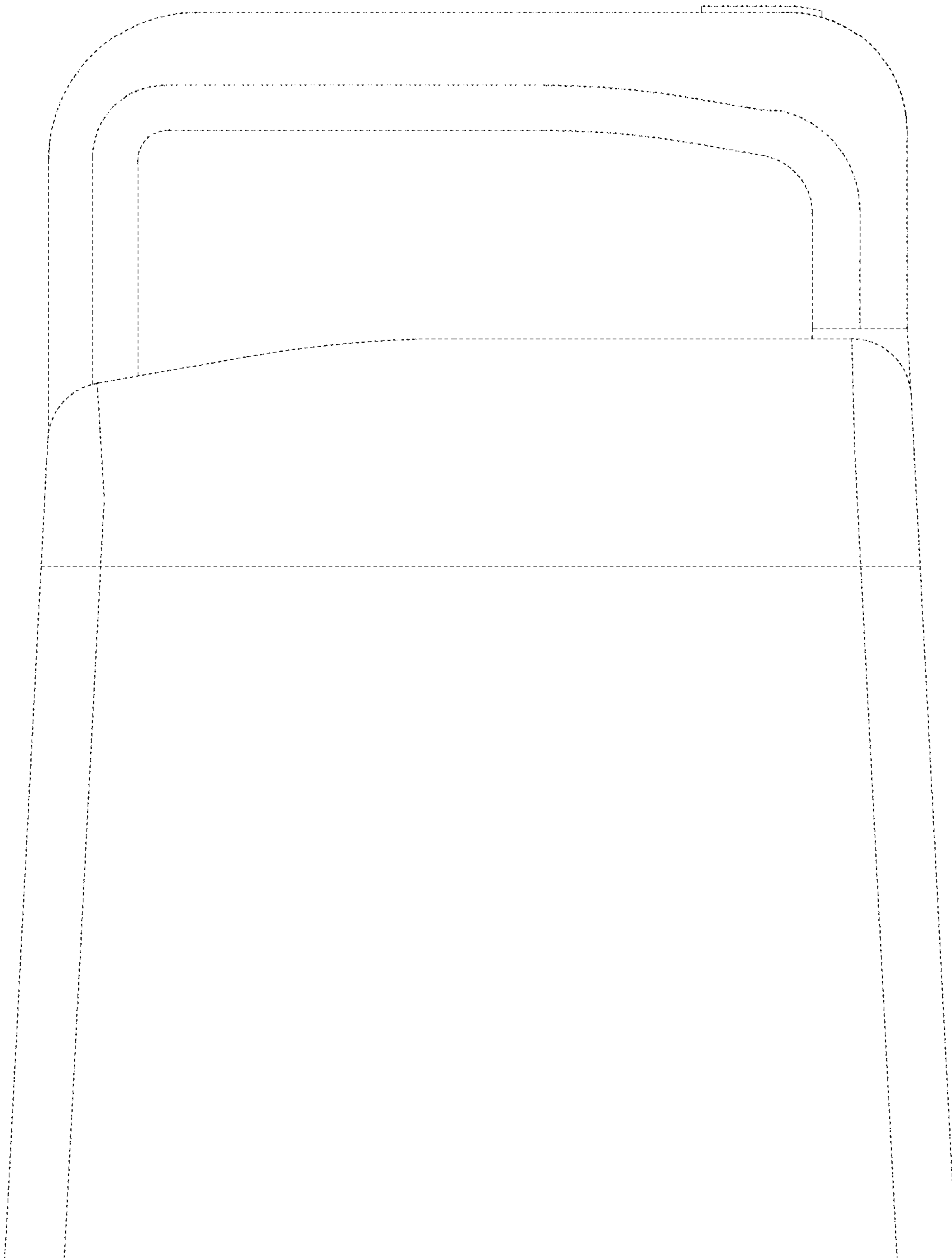


FIG. 5

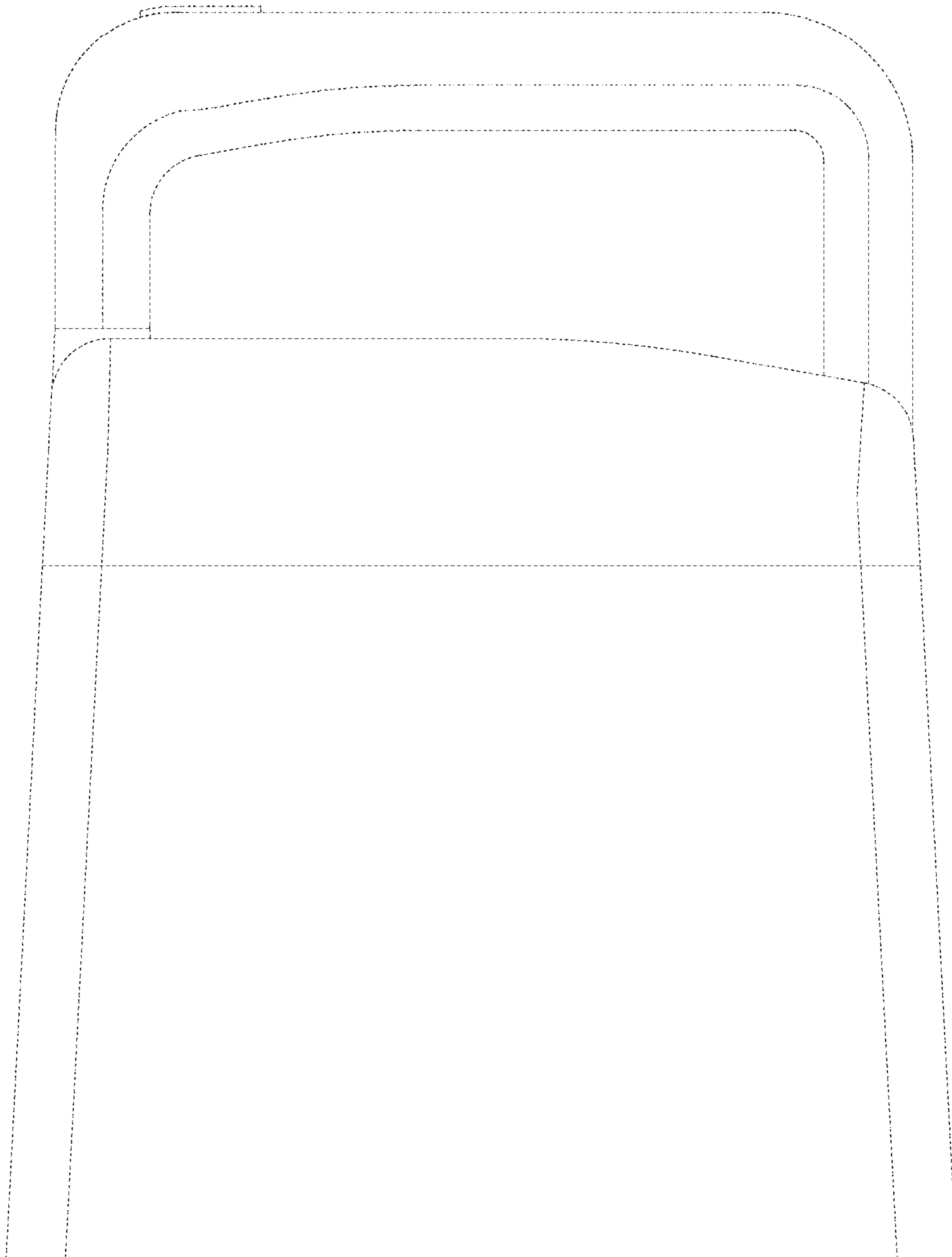


FIG. 6

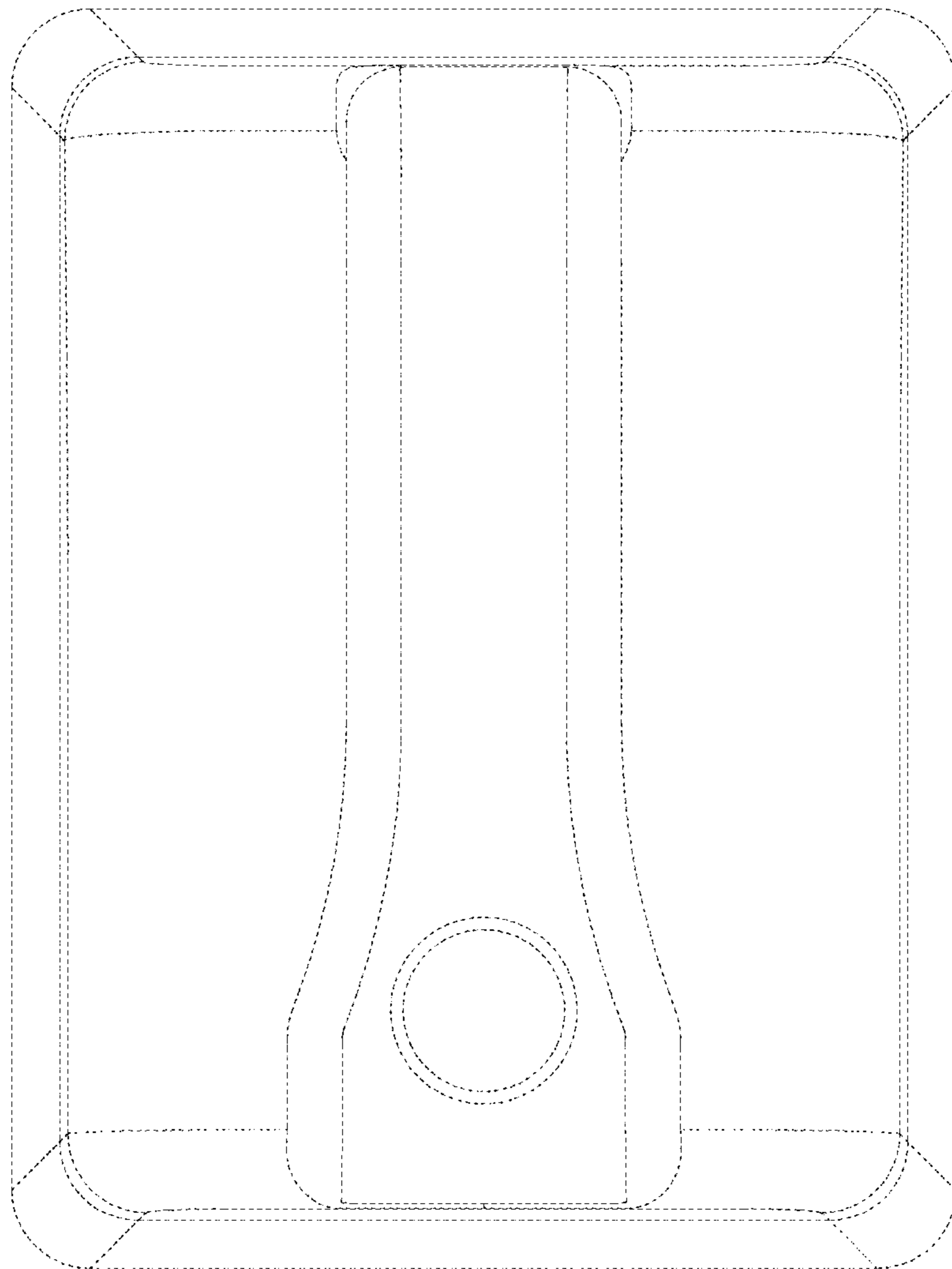


FIG. 7

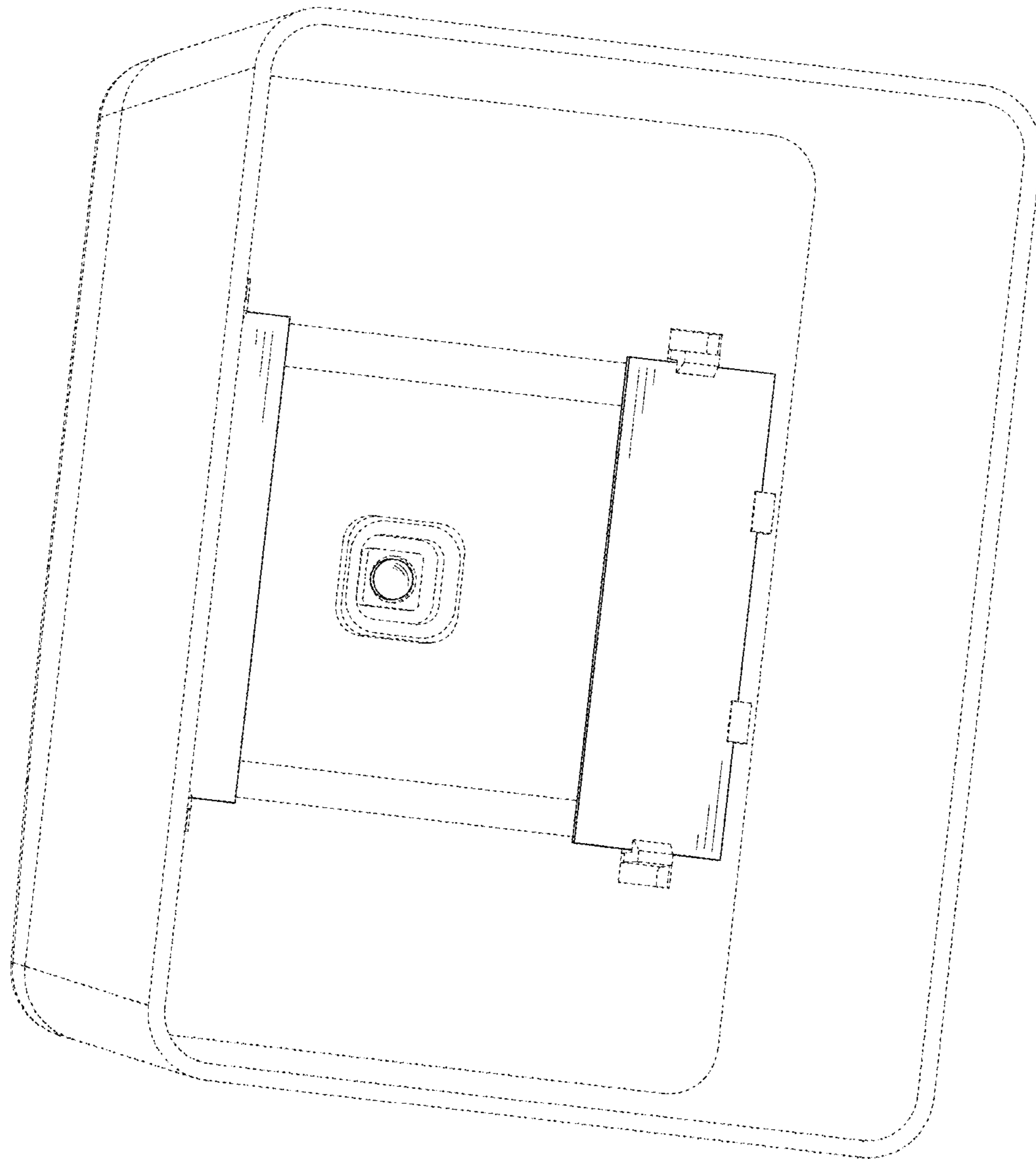


FIG. 8

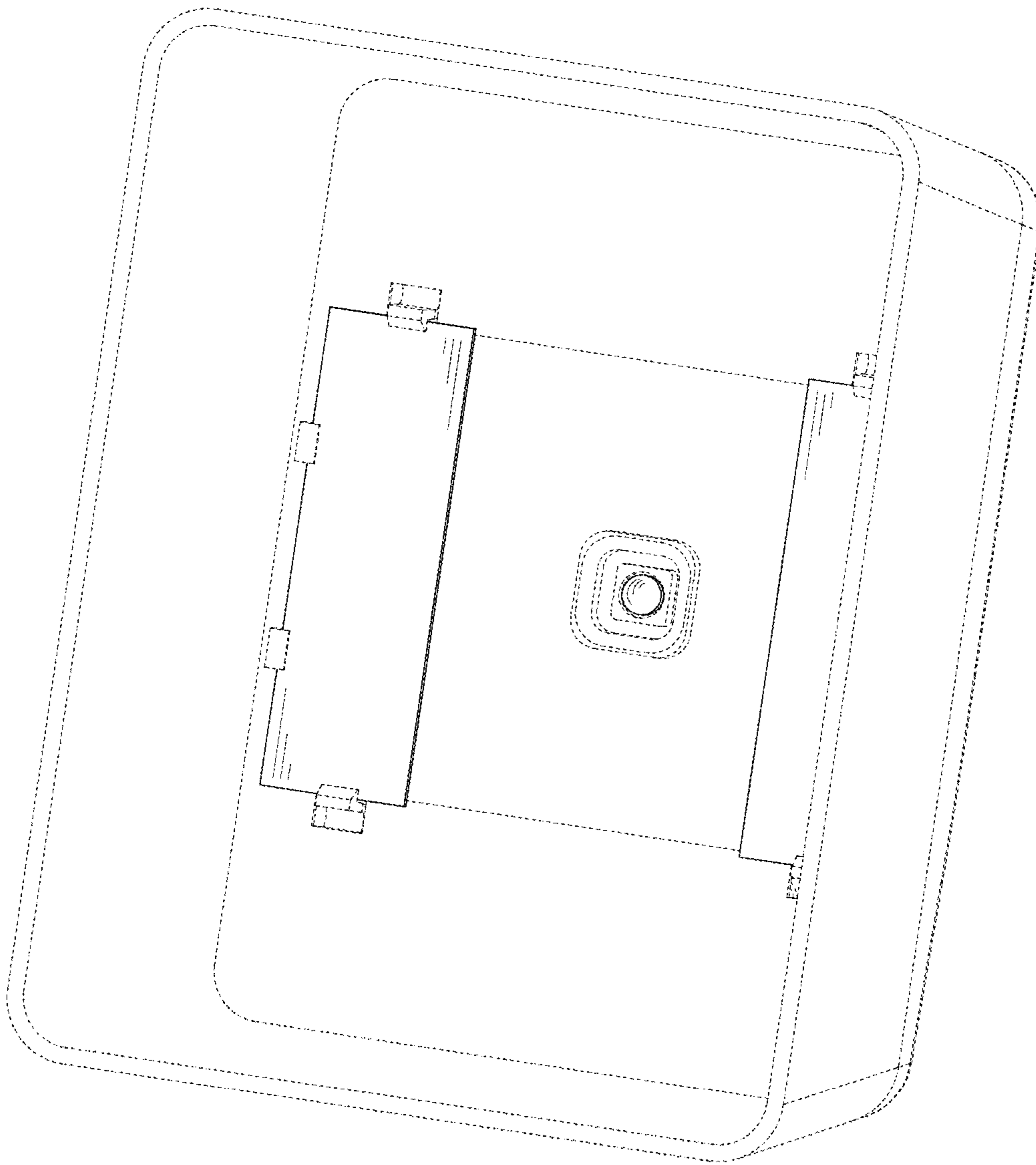


FIG. 9

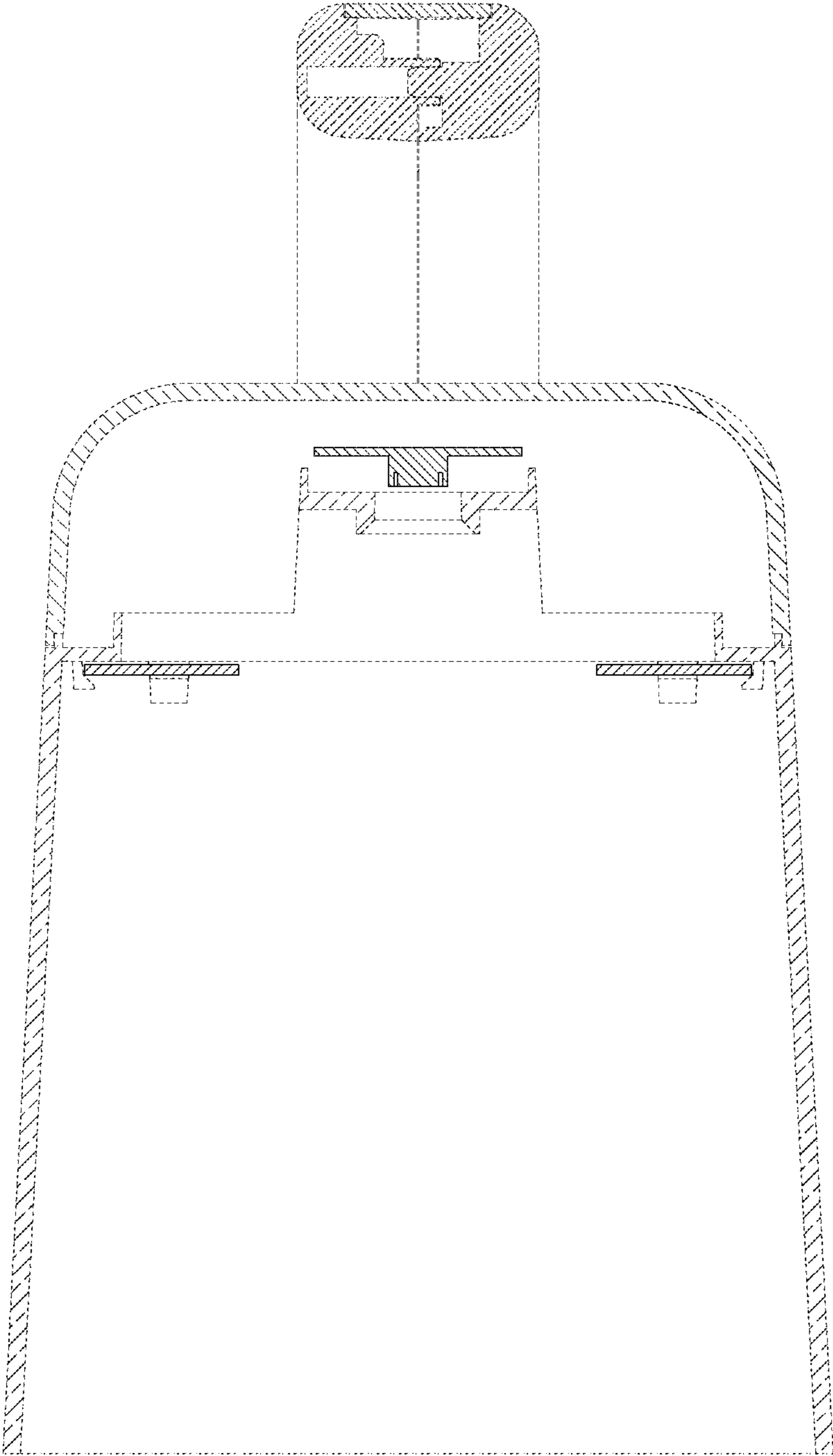


FIG. 10