



US00D981466S

(12) **United States Design Patent**  
**Wang et al.**

(10) **Patent No.:** **US D981,466 S**  
(45) **Date of Patent:** **\*\* Mar. 21, 2023**

- (54) **MAGNIFIER**
- (71) Applicant: **SHENZHEN AIXIANGPAI E-BUSSINESS CO., LTD**, Shenzhen (CN)
- (72) Inventors: **Xiaodong Wang**, Shenzhen (CN); **Zhiyuan Han**, Shenzhen (CN)
- (73) Assignee: **SHENZHEN AIXIANGPAI E-BUSSINESS CO., LTD**, Shenzhen (CN)
- (\*\*) Term: **15 Years**
- (21) Appl. No.: **29/799,476**
- (22) Filed: **Jul. 14, 2021**
- (51) **LOC (14) Cl.** ..... **16-06**
- (52) **U.S. Cl.**  
USPC ..... **D16/135**
- (58) **Field of Classification Search**  
USPC ..... D16/130, 134, 135, 136; D10/62, 71  
CPC ..... G01B 3/04  
See application file for complete search history.

- D635,170 S 3/2011 van der Lande
- D637,220 S \* 5/2011 Levine ..... D16/135
- D637,221 S \* 5/2011 Levine ..... D16/135
- D654,107 S 2/2012 Huang
- D702,745 S \* 4/2014 Gresko ..... G02B 25/02  
D16/135
- D702,746 S \* 4/2014 Gresko ..... D16/135
- D703,718 S 4/2014 Hsu
- D707,278 S \* 6/2014 Tang ..... G02B 25/02  
D16/135
- D707,279 S \* 6/2014 Tang ..... G02B 25/02  
D16/135
- D707,280 S 6/2014 Tang
- D754,766 S 4/2016 Daniel
- D785,065 S \* 4/2017 Huang ..... D16/135
- D786,328 S 5/2017 Schuss
- D788,833 S 6/2017 Schuss
- D848,074 S 5/2019 Kim et al.
- D855,309 S 8/2019 Patel et al.
- D860,496 S 9/2019 Waldmann
- D905,146 S \* 12/2020 Huang ..... D16/135
- D905,147 S \* 12/2020 Hillstrom ..... D16/135

(Continued)

*Primary Examiner* — Holly E Thurman

(57) **CLAIM**

The ornamental design for a magnifier, as shown and described.

**DESCRIPTION**

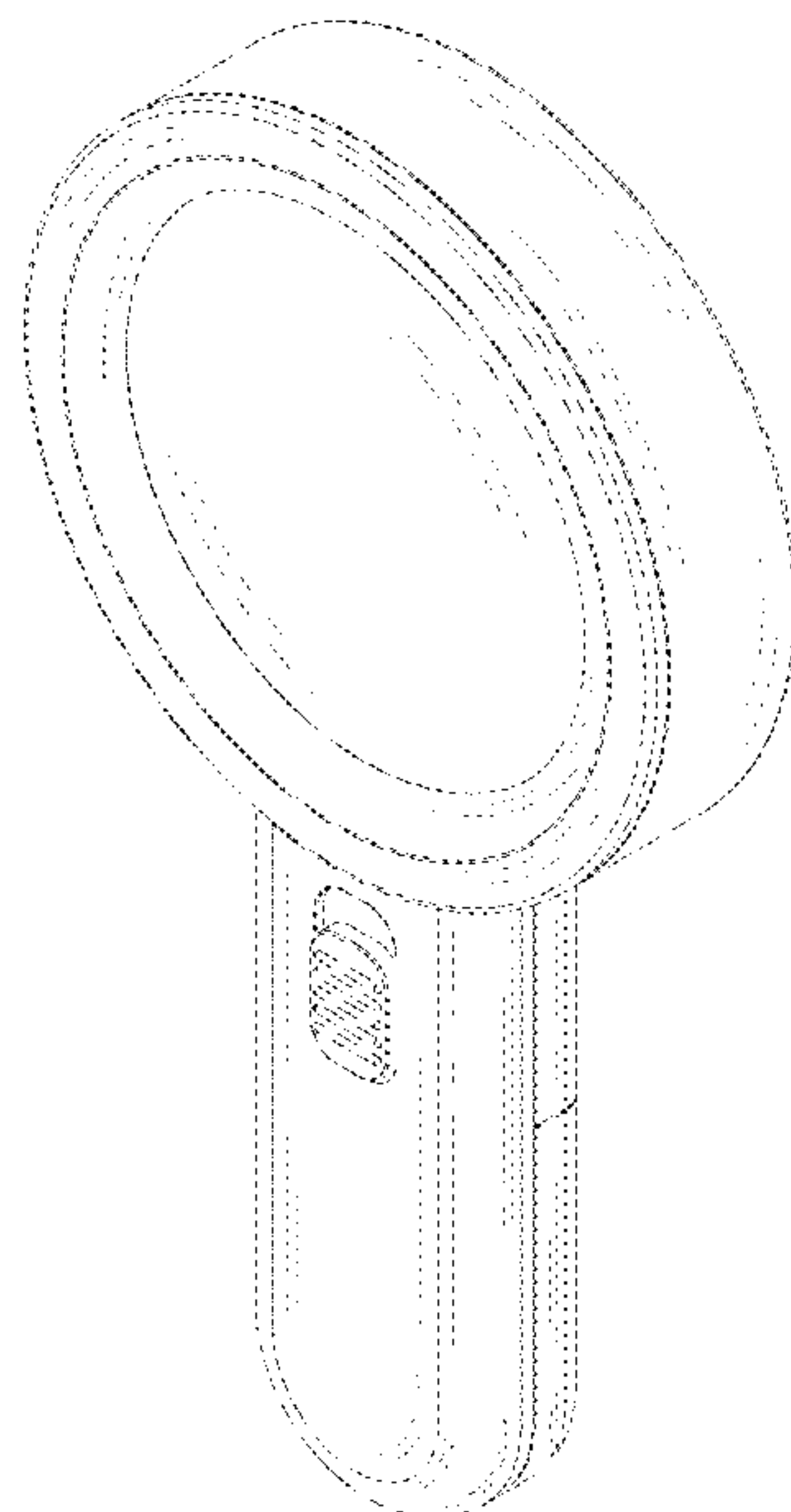
FIG. 1 is a front view of a magnifier showing the new design;  
 FIG. 2 is a back view thereof;  
 FIG. 3 is a left-side view thereof;  
 FIG. 4 is a right-side view thereof;  
 FIG. 5 is a top view thereof;  
 FIG. 6 is a bottom view thereof; and,  
 FIG. 7 is a perspective view thereof.  
 The broken lines depict portions of the article that form no part of the claimed design.

**1 Claim, 7 Drawing Sheets**

(56) **References Cited**

**U.S. PATENT DOCUMENTS**

- D324,060 S \* 2/1992 Huang ..... D16/135
- D328,910 S \* 8/1992 Wallace ..... D16/135
- D333,313 S 2/1993 Hornschu et al.
- D394,073 S \* 5/1998 Hennessy ..... D16/135
- D426,860 S 6/2000 Ho
- D428,032 S 7/2000 Lee
- D429,762 S 8/2000 Mershon
- D440,243 S 4/2001 Jacquet
- D495,726 S \* 9/2004 Yip ..... D16/135
- D559,876 S \* 1/2008 Yip ..... D16/135
- D565,069 S \* 3/2008 Yip ..... D16/135
- D568,352 S 5/2008 Krause
- D603,439 S 11/2009 Buchheim



(56)

**References Cited**

U.S. PATENT DOCUMENTS

D935,505 S \* 11/2021 Bae ..... D16/135  
D953,402 S \* 5/2022 Huang ..... D26/38

\* cited by examiner

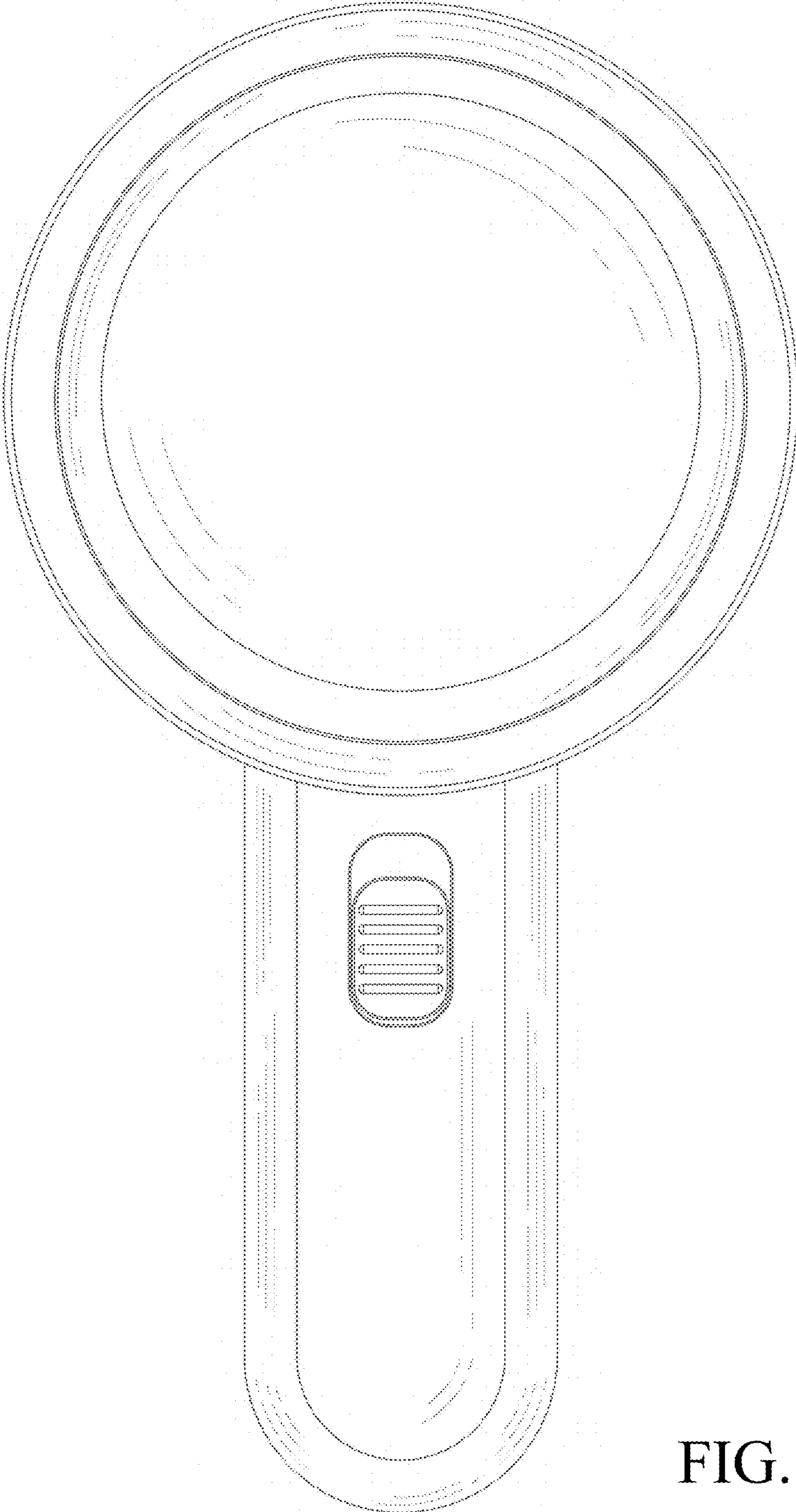


FIG. 1

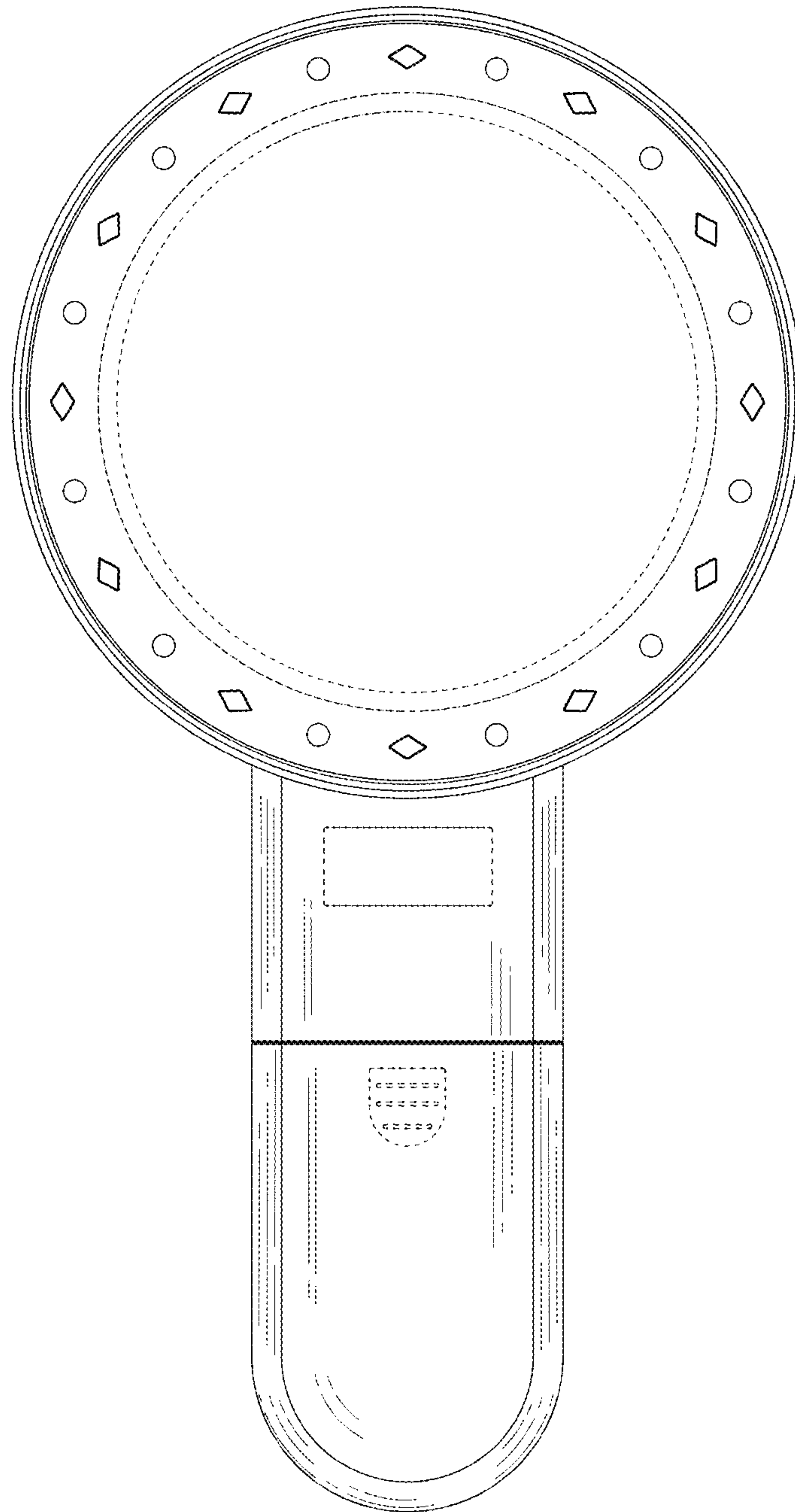


FIG. 2

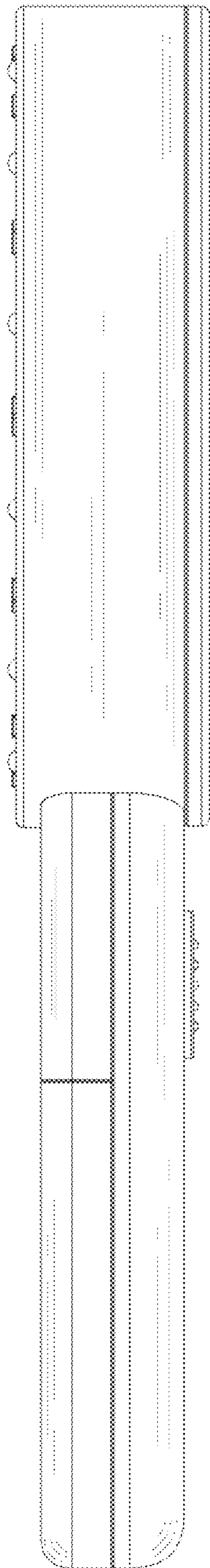


FIG. 3



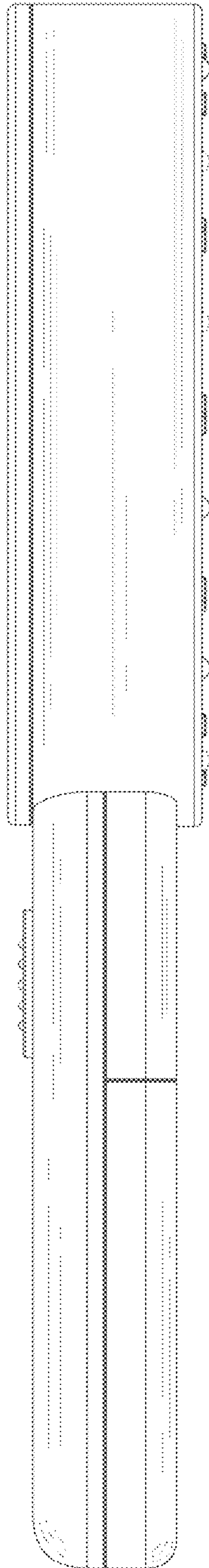


FIG. 4

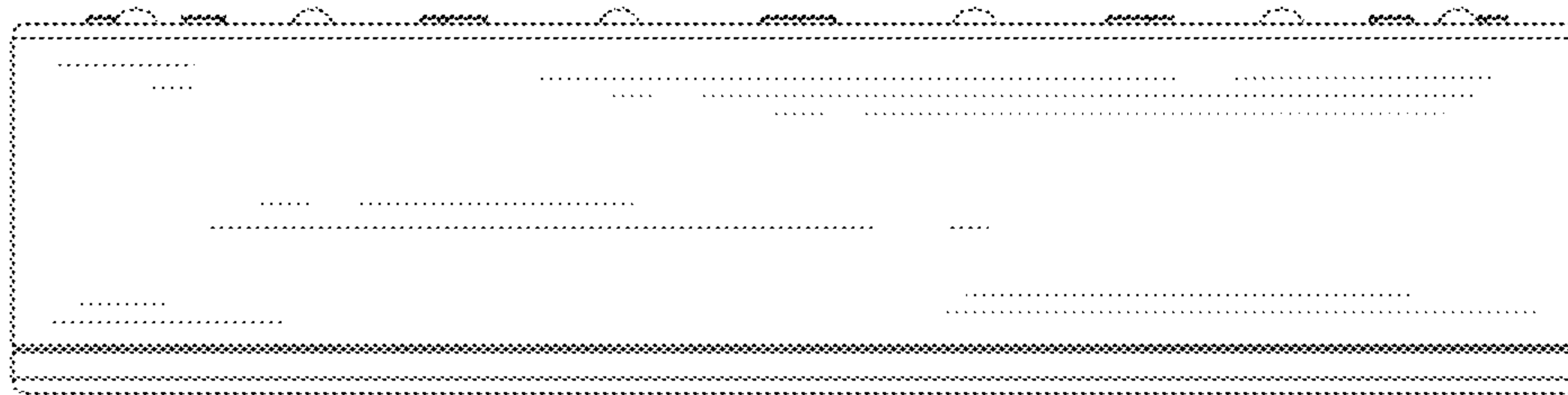


FIG. 5



FIG. 6



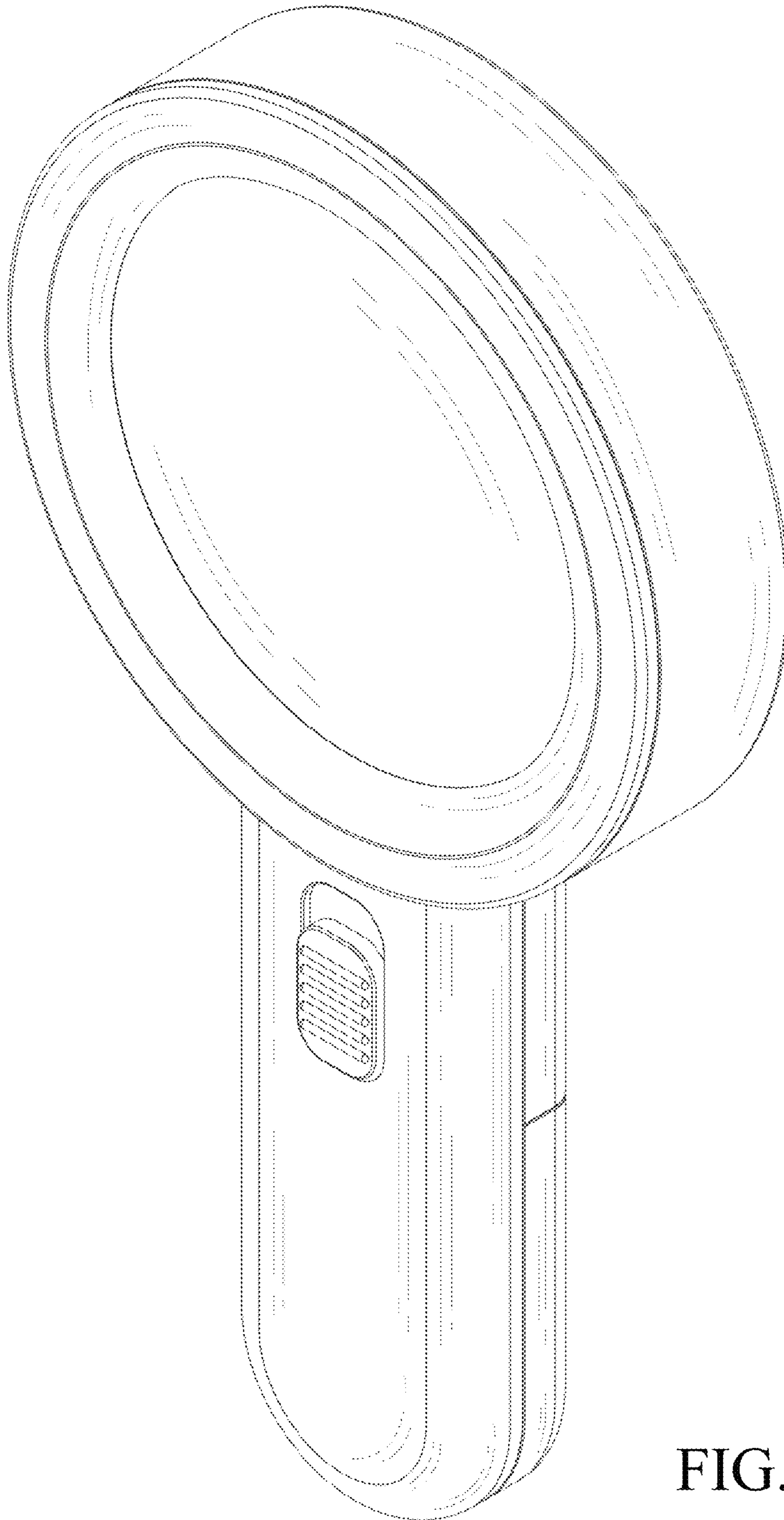


FIG. 7