



US00D981463S

(12) **United States Design Patent** (10) **Patent No.:** **US D981,463 S**
Kong et al. (45) **Date of Patent:** **** *Mar. 21, 2023**

(54) **WAREHOUSE ROBOT**

CPC B65G 1/0435; B65G 1/1373; B65G 2203/0216; B66F 9/063; G06Q 10/08
See application file for complete search history.

(71) Applicant: **HAI ROBOTICS CO., LTD.**,
Shenzhen (CN)

(56) **References Cited**

(72) Inventors: **Zhe Kong**, Shenzhen (CN); **Yeguang Chen**, Shenzhen (CN); **Qingxin Zhan**, Shenzhen (CN)

U.S. PATENT DOCUMENTS

D314,401 S * 2/1991 Lehman D20/3
5,127,486 A * 7/1992 Yardley B62D 1/28
180/168
5,187,664 A * 2/1993 Yardley G05D 1/0265
180/167

(73) Assignee: **Hai Robotics Co., Ltd.**, Shenzhen (CN)

(Continued)

(*) Notice: This patent is subject to a terminal disclaimer.

FOREIGN PATENT DOCUMENTS

(**) Term: **15 Years**

CN 303126323 S 3/2015
CN 303986810 S 12/2016

(Continued)

(21) Appl. No.: **29/856,529**

OTHER PUBLICATIONS

(22) Filed: **Oct. 14, 2022**

Search Report from Chinese Intellectual Property Office for counterpart application CN201930102294.2 dated Aug. 23, 2019.

Related U.S. Application Data

Primary Examiner — Patricia A Palasik
(74) *Attorney, Agent, or Firm* — Morgan, Lewis & Bockius LLP

(60) Continuation of application No. 29/839,764, filed on May 24, 2022, now Pat. No. Des. 970,576, which is a continuation of application No. 29/777,083, filed on Apr. 2, 2021, now Pat. No. Des. 961,646, which is a division of application No. 29/701,254, filed on Aug. 9, 2019, now Pat. No. Des. 918,281.

(57) **CLAIM**

The ornamental design for a warehouse robot, as shown and described.

(30) **Foreign Application Priority Data**

DESCRIPTION

Mar. 13, 2019 (CN) 201930102294.2

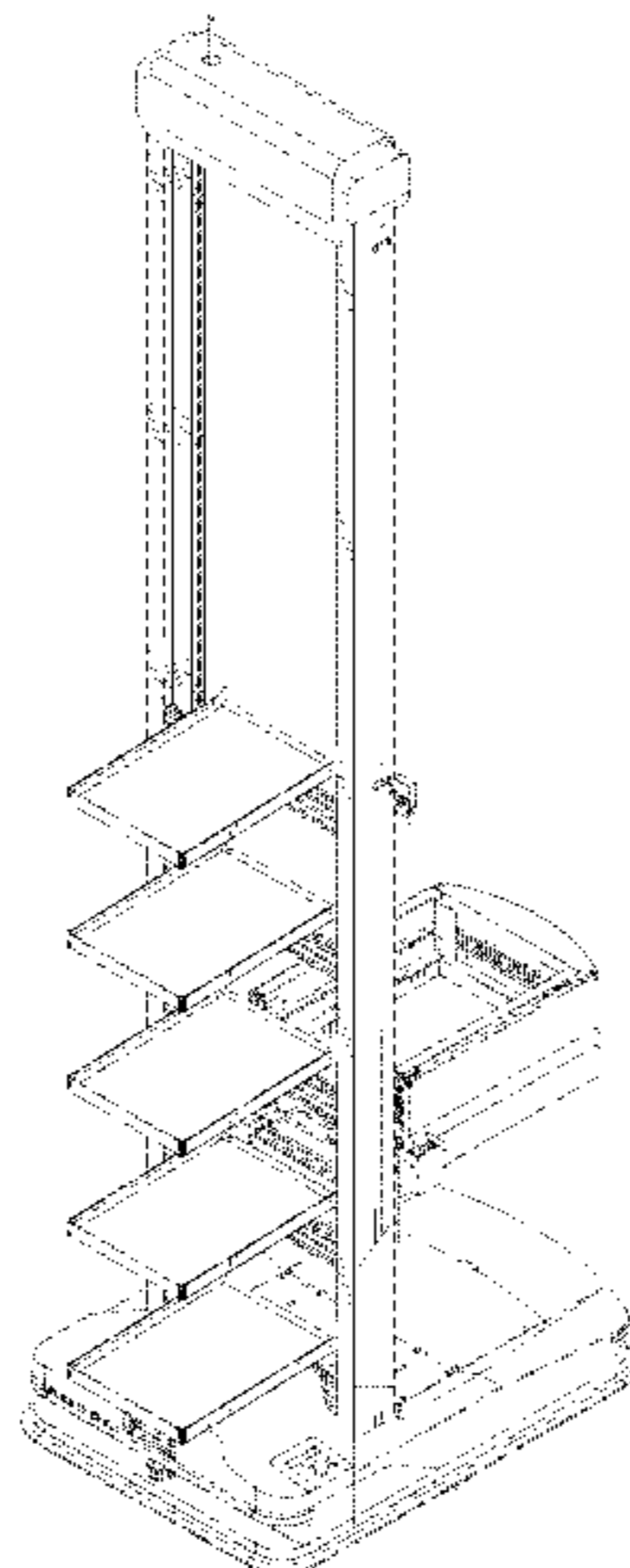
(51) **LOC (14) Cl.** **15-99**

(52) **U.S. Cl.**
USPC **D15/199**

(58) **Field of Classification Search**
USPC D15/122, 199; D21/578–583, 621, 622;
D34/18, 28, 34

FIG. 1 is a front perspective view a warehouse robot showing our new design;
FIG. 2 is a rear perspective view thereof;
FIG. 3 is a front elevational view thereof;
FIG. 4 is a rear elevational view thereof;
FIG. 5 is a left side elevational view thereof;
FIG. 6 is a right side elevational view thereof; and,
FIG. 7 is a top plan view thereof.

(Continued)



No bottom plan view is included because the bottom of the warehouse robot will not be visible in use.

The broken lines in the figures illustrate portions of the warehouse robot that form no part of the claimed design.

1 Claim, 7 Drawing Sheets

(56)

References Cited

U.S. PATENT DOCUMENTS

5,324,948 A * 6/1994 Dudar G01S 15/931
250/253
D384,468 S 9/1997 Tobias
D625,059 S * 10/2010 Morenstein D32/21
8,898,844 B1 * 12/2014 Dooley A47L 11/408
15/98
D722,631 S * 2/2015 Stone D15/199
D743,647 S * 11/2015 Heck D32/21
D810,799 S * 2/2018 Sokuza D15/199
D812,663 S * 3/2018 Waters D15/199
D839,331 S * 1/2019 Nilsson D15/199
D849,813 S * 5/2019 Sutherland D15/199
10,399,616 B2 * 9/2019 Ellerman A63H 33/26
D864,270 S * 10/2019 Hu D15/199
D865,021 S * 10/2019 Hu D15/199
D871,475 S * 12/2019 Kolb D15/199
D871,477 S * 12/2019 Kolb D15/199
D873,173 S * 1/2020 Brucker D12/1
D873,174 S * 1/2020 Sokuza D12/1
D879,852 S * 3/2020 Chen B62D 1/28
D15/199
D880,550 S * 4/2020 Sokuza G01B 11/005
D15/199
D886,173 S * 6/2020 Sokuza A63H 33/26
D15/199

D887,468 S * 6/2020 Hirvesaar B66F 9/063
D15/199
D959,529 S * 8/2022 Kong D15/199
D961,646 S * 8/2022 Kong D15/199
11,465,840 B2 * 10/2022 Cheng B25J 15/0014
D969,896 S * 11/2022 Kong D15/199
D969,899 S * 11/2022 Kong D15/199
2012/0026481 A1 * 2/2012 Chen G05D 1/0242
356/4.01
2015/0224640 A1 * 8/2015 Vu B25J 5/007
700/259
2016/0327383 A1 * 11/2016 Becker G01B 11/005
2018/0099810 A1 * 4/2018 Wu B65G 1/0492
2019/0133396 A1 * 5/2019 Lim A47L 5/12
2019/0270472 A1 * 9/2019 Akamatsu B62B 5/0093
2019/0352092 A1 * 11/2019 Zheng B66F 9/063

FOREIGN PATENT DOCUMENTS

CN 304144857 S 5/2017
CN 206569571 U 10/2017
CN 206885961 U 1/2018
CN 304460809 S 1/2018
CN 108313606 A 7/2018
CN 108726061 A 11/2018
CN 304918626 S 11/2018
CN 304998633 S 1/2019
CN 305009308 S 1/2019
CN 305009309 S 1/2019
CN 305010573 S 1/2019
CN 208746865 U 4/2019
CN 209684551 U 11/2019
CN 209684554 U 11/2019
CN 112607293 A 4/2021
JP D1290893 1/2007
KR 30-0563974 6/2010
SU 867871 9/1981
WO 2016/151504 A1 9/2016
WO D096716-0005 8/2018

* cited by examiner

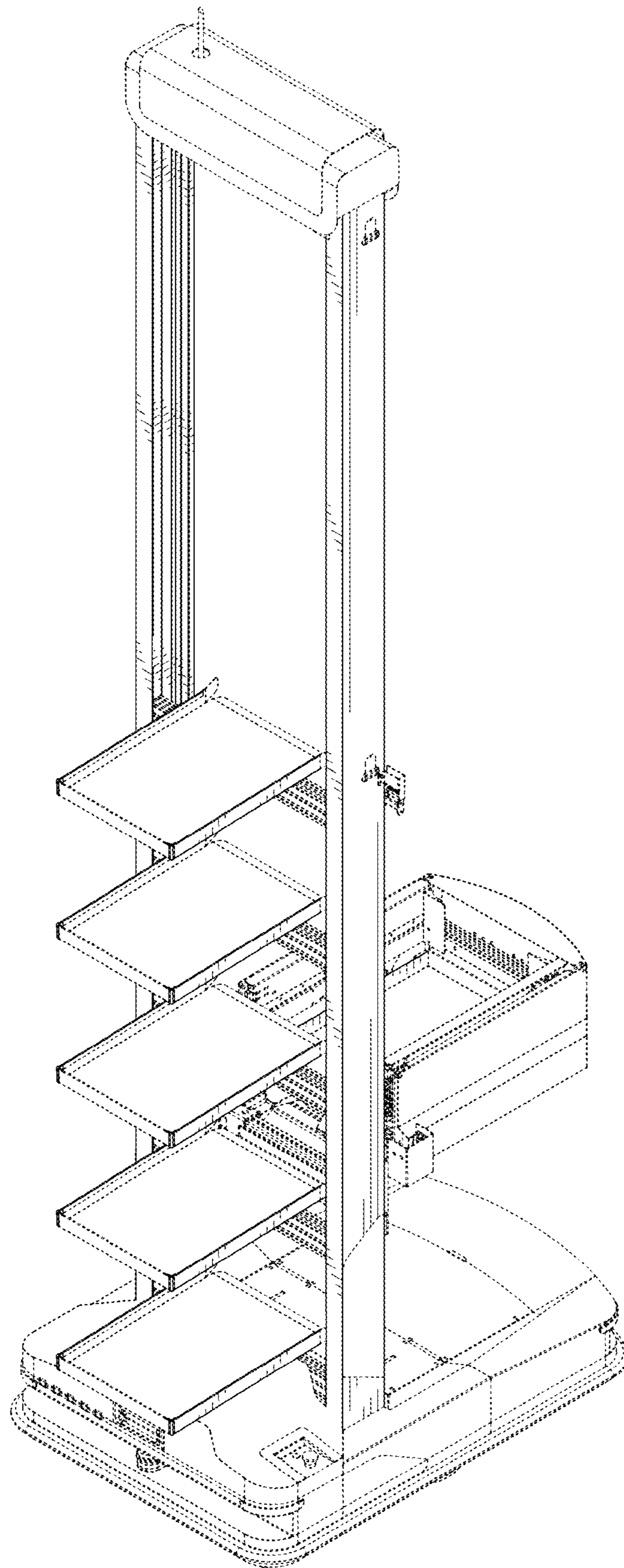


FIG. 1

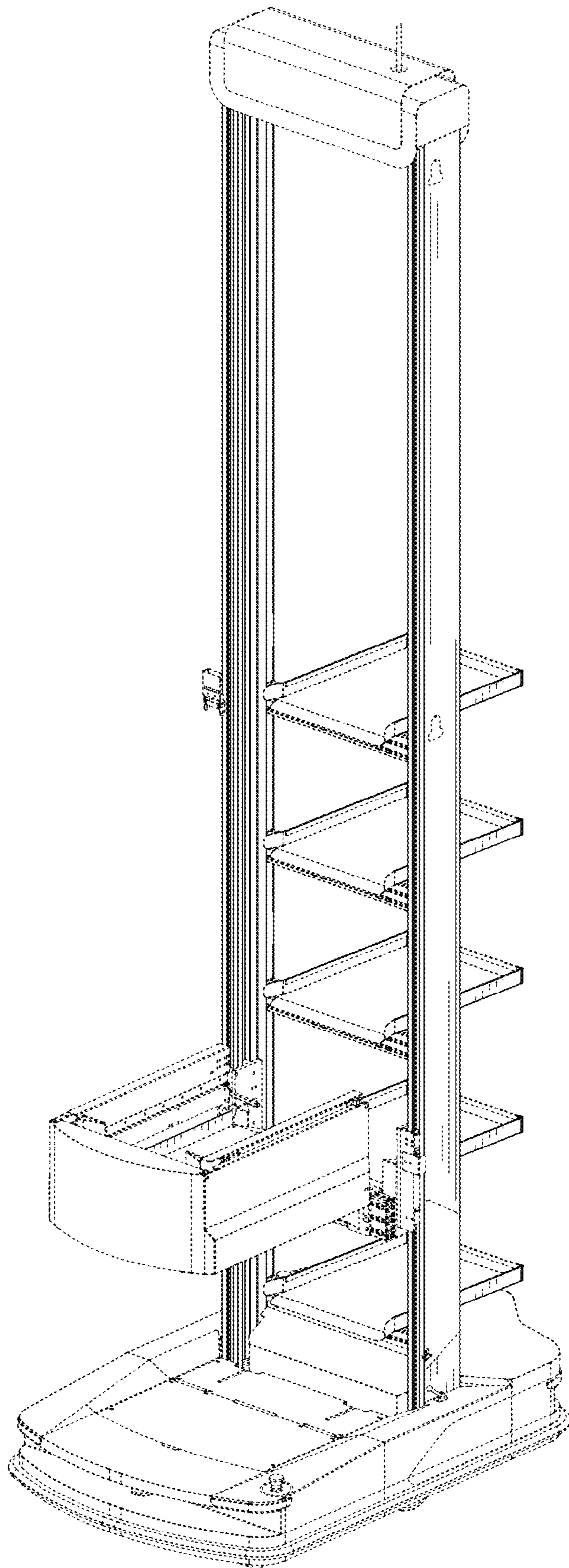


FIG. 2

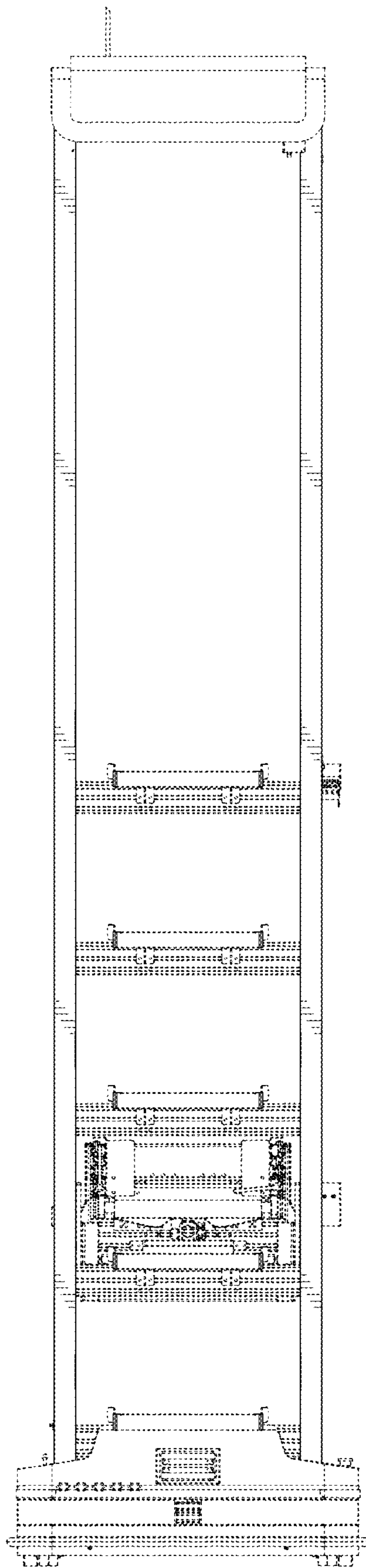


FIG. 3

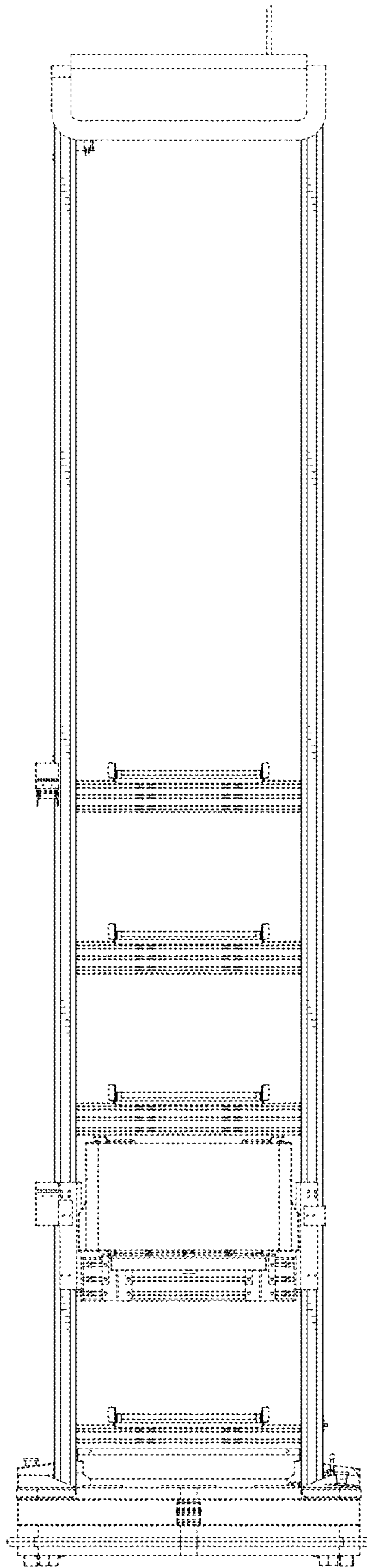


FIG. 4

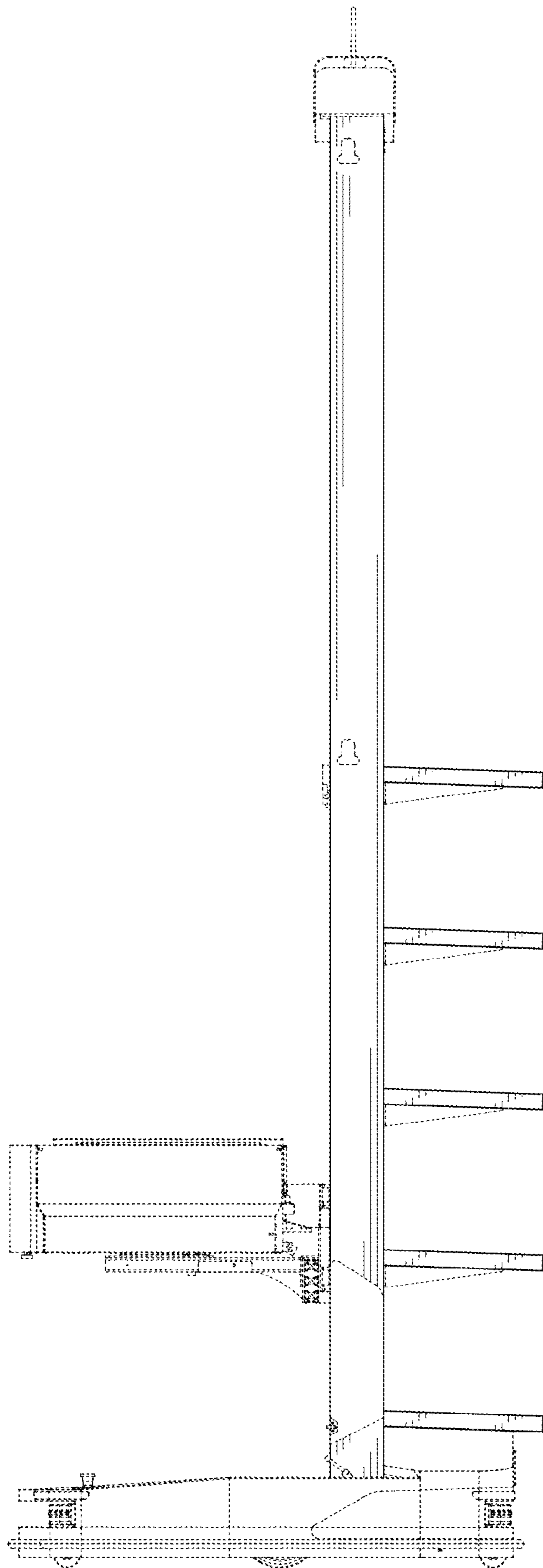


FIG. 5

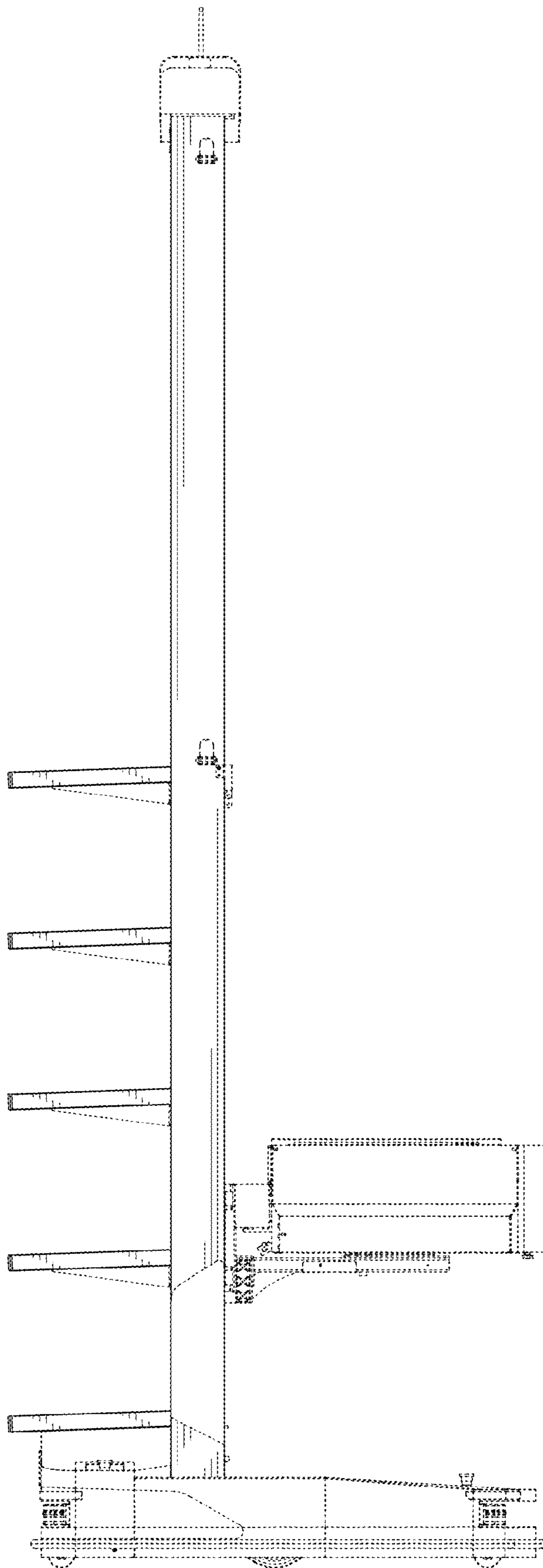


FIG. 6

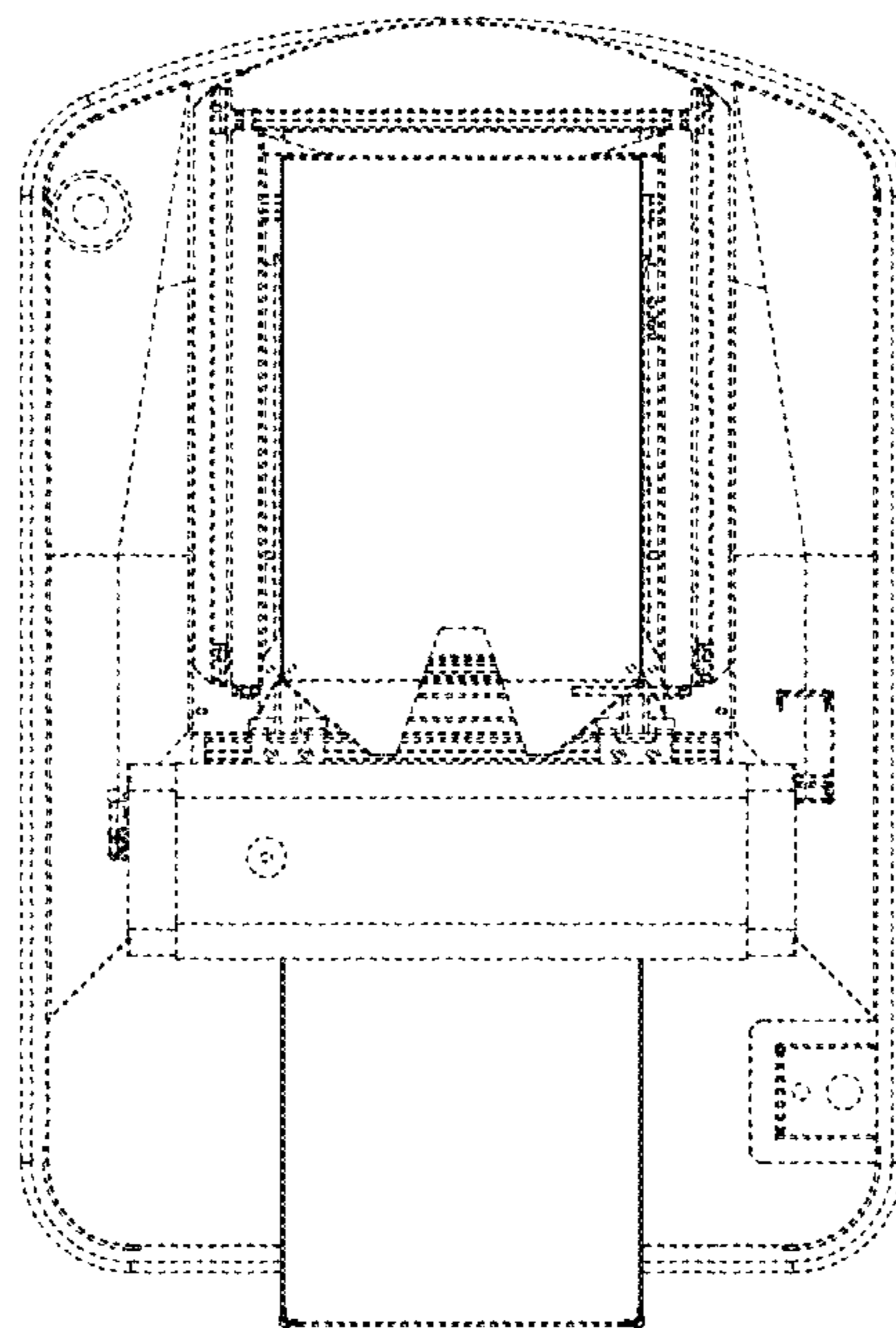


FIG. 7