



US00D981462S

(12) **United States Design Patent**
Wang

(10) **Patent No.:** **US D981,462 S**

(45) **Date of Patent:** **** Mar. 21, 2023**

(54) **AUTOMATED ACTUATOR DEVICE**

(71) Applicant: **Kenneth William Wang**, Las Vegas,
NV (US)

(72) Inventor: **Kenneth William Wang**, Las Vegas,
NV (US)

(**) Term: **15 Years**

(21) Appl. No.: **29/794,449**

(22) Filed: **Jun. 11, 2021**

(51) **LOC (14) Cl.** **15-09**

(52) **U.S. Cl.**
USPC **D15/148**

(58) **Field of Classification Search**
USPC D15/122, 143, 148, 149, 199; D13/101,
D13/110, 112, 114, 118, 158, 162
CPC . B66F 3/18; H01F 7/066; B64C 13/30; B64C
13/341; F16H 61/2807
See application file for complete search history.

(56) **References Cited**

U.S. PATENT DOCUMENTS

D399,491 S *	10/1998	Nagai	D13/158
D509,520 S *	9/2005	Klinke	D15/143
D551,619 S *	9/2007	Schneider	D13/110
D571,290 S *	6/2008	Gebhart	D13/112
D656,169 S *	3/2012	Fukano	D15/199
8,153,918 B2	4/2012	Agronin	
D677,624 S *	3/2013	Goodman	D13/112
D686,257 S *	7/2013	Wu	D15/199
8,796,567 B2	8/2014	Mahle	
9,520,247 B1	12/2016	Finnegan	

D815,052 S *	4/2018	Schindler	D13/162
D821,982 S *	7/2018	Fujii	D14/240
D853,460 S *	7/2019	Zhuang	D15/148
10,395,865 B2	8/2019	Scruggs	
D862,398 S *	10/2019	Schindler	D13/162
D864,268 S *	10/2019	Shen	D15/148
2019/0035566 A1	1/2019	Mahle	
2019/0348235 A1	11/2019	Scruggs	

FOREIGN PATENT DOCUMENTS

WO WO2009137563 A1 11/2009

* cited by examiner

Primary Examiner — Derrick E Holland

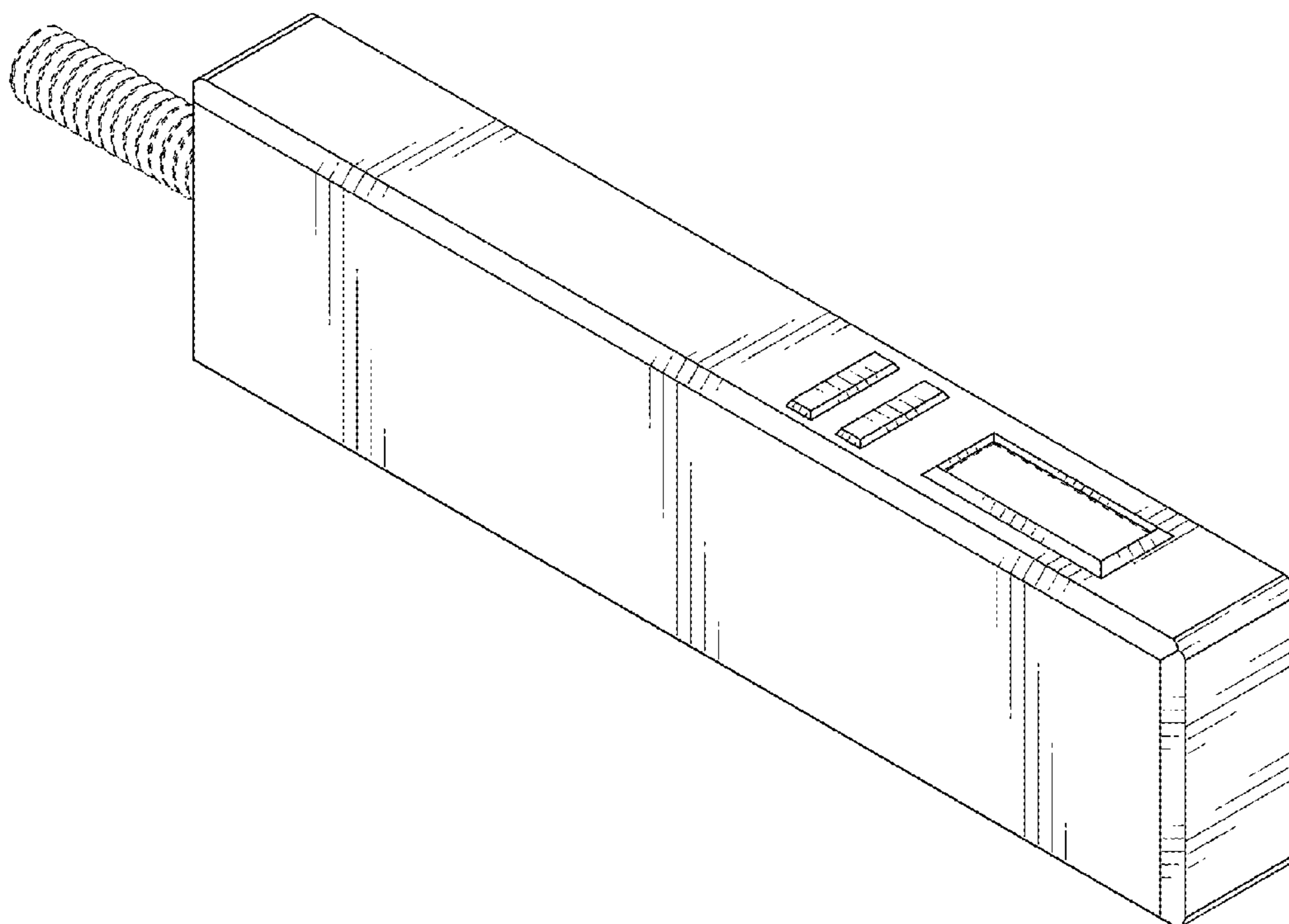
(57) **CLAIM**

The ornamental design for an automated actuator device, as shown and described.

DESCRIPTION

FIG. 1 is a top-front-left perspective view of an automated actuator device showing my new design;
 FIG. 2 is a bottom-rear-right perspective view thereof;
 FIG. 3 is a front elevational view thereof;
 FIG. 4 is a rear elevational view thereof;
 FIG. 5 is a top plan view thereof;
 FIG. 6 is a bottom plan view thereof;
 FIG. 7 is an enlarged left elevational view thereof; and,
 FIG. 8 is an enlarged right elevational view thereof.
 The broken line showing an extensible member in FIGS. 1 through 6 and 7; a display screen in FIGS. 1 and 5; and an internal cavity within the actuator casing in FIGS. 2 and 8 is included for the purpose of illustrating environmental structure and forms no part of the claimed design.

1 Claim, 8 Drawing Sheets



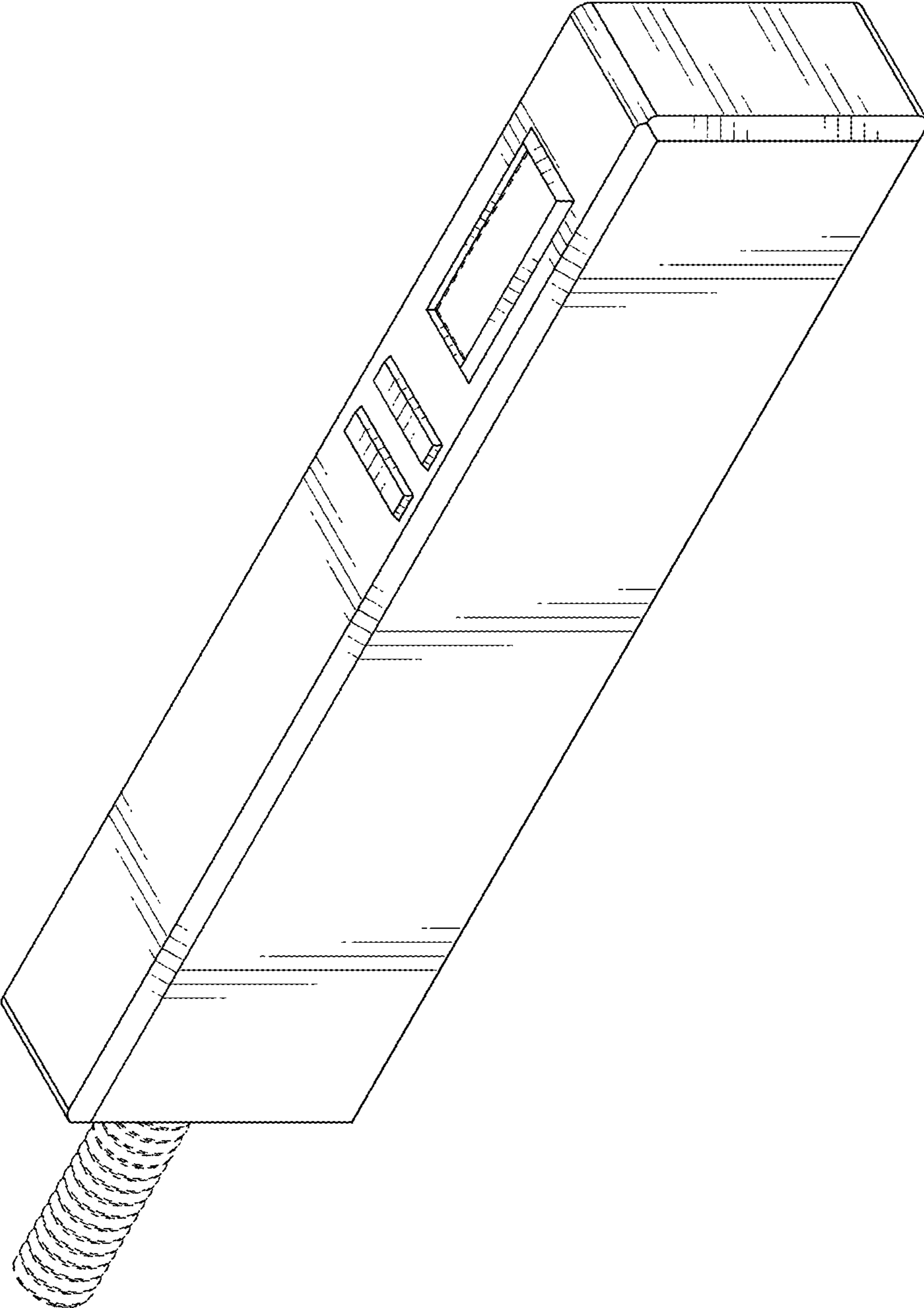


FIG. 1

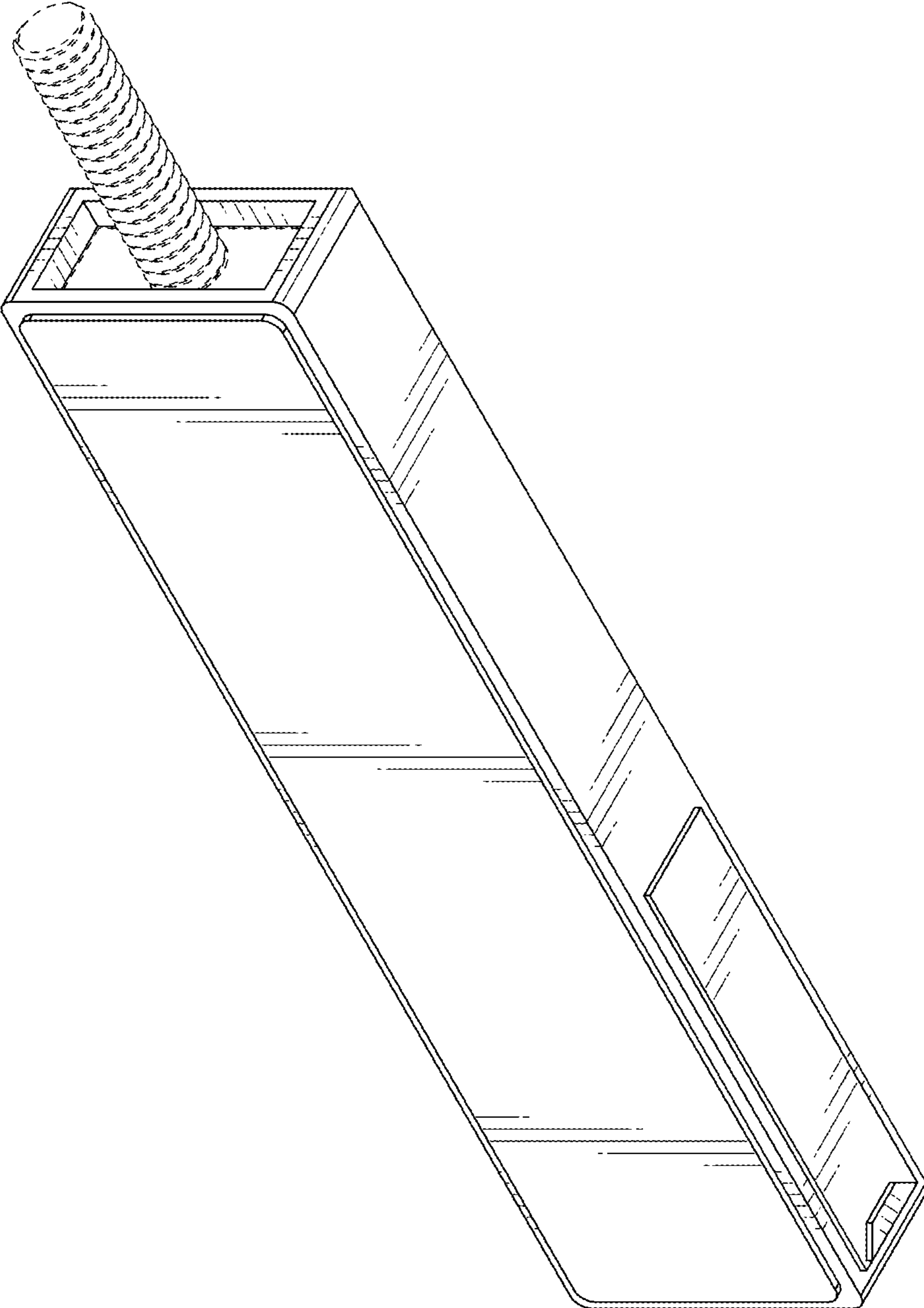


FIG. 2

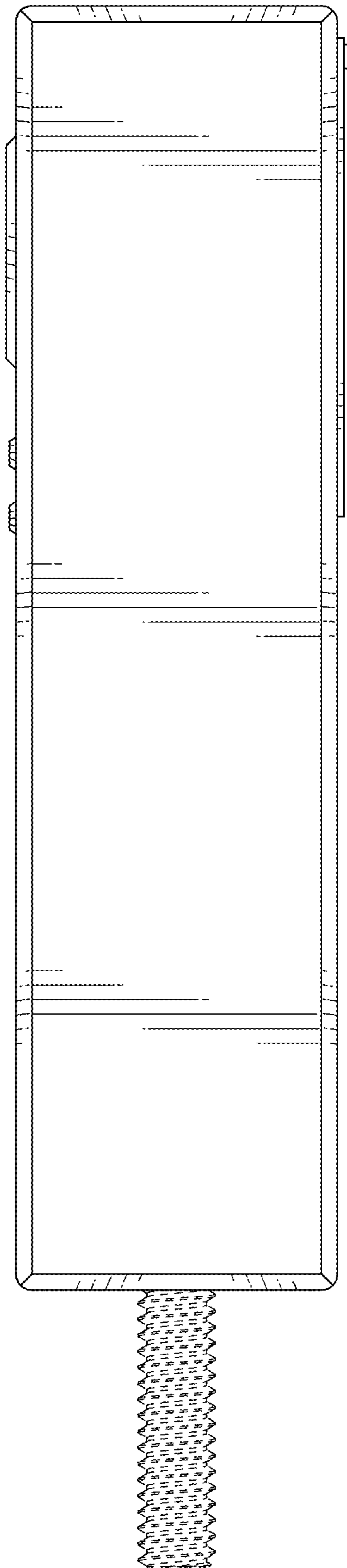


FIG. 3

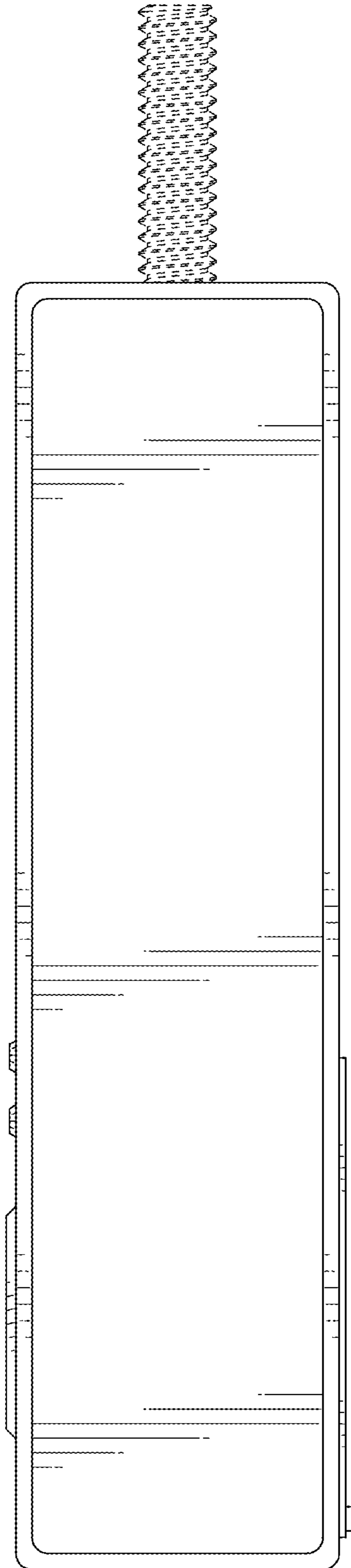


FIG. 4

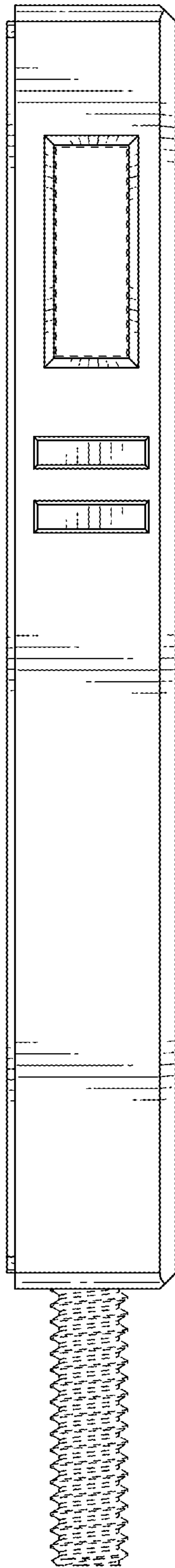


FIG. 5

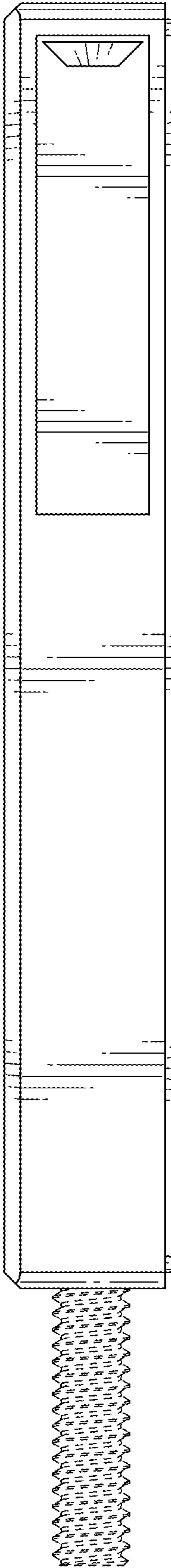


FIG. 6

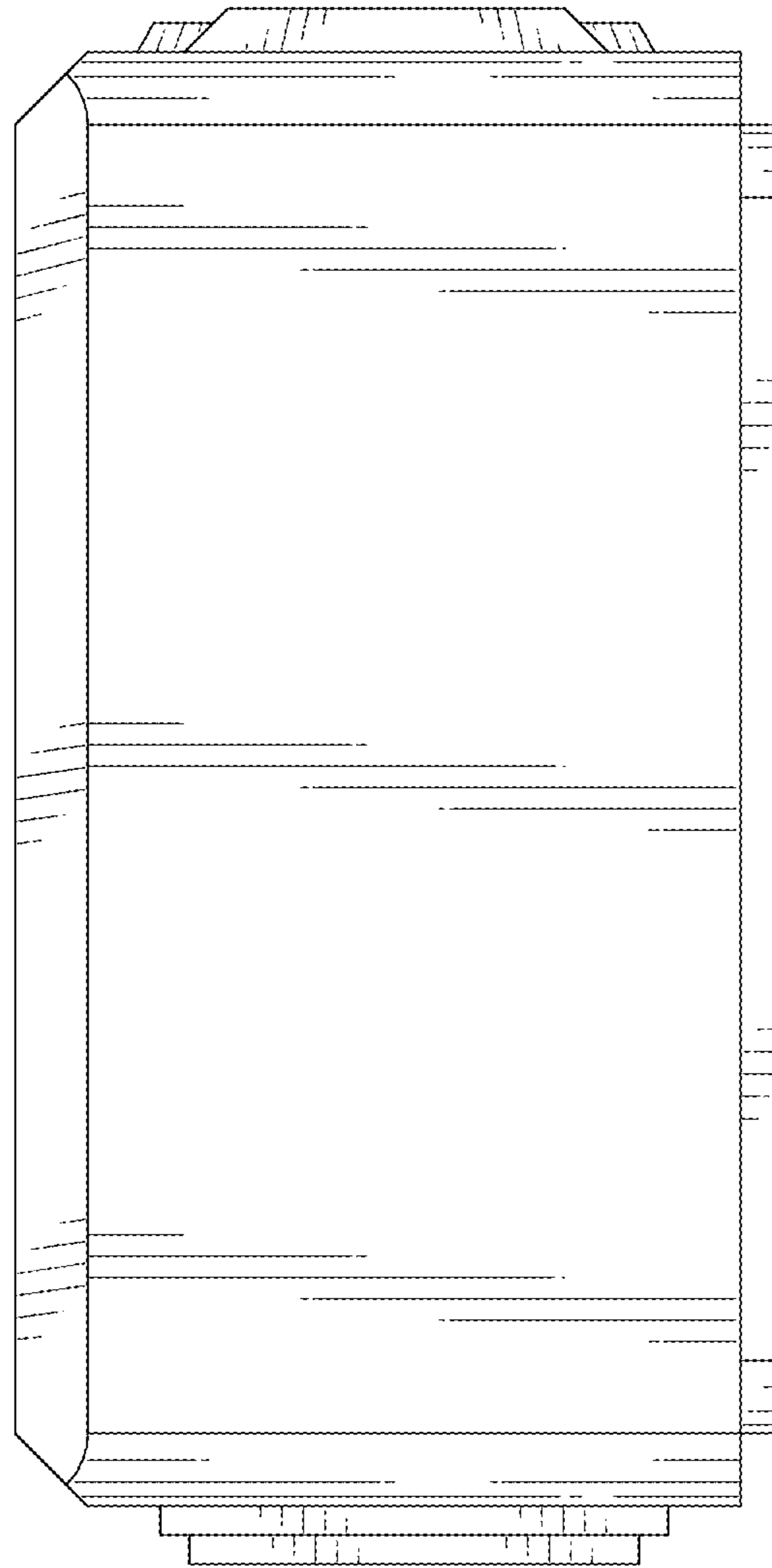


FIG. 7

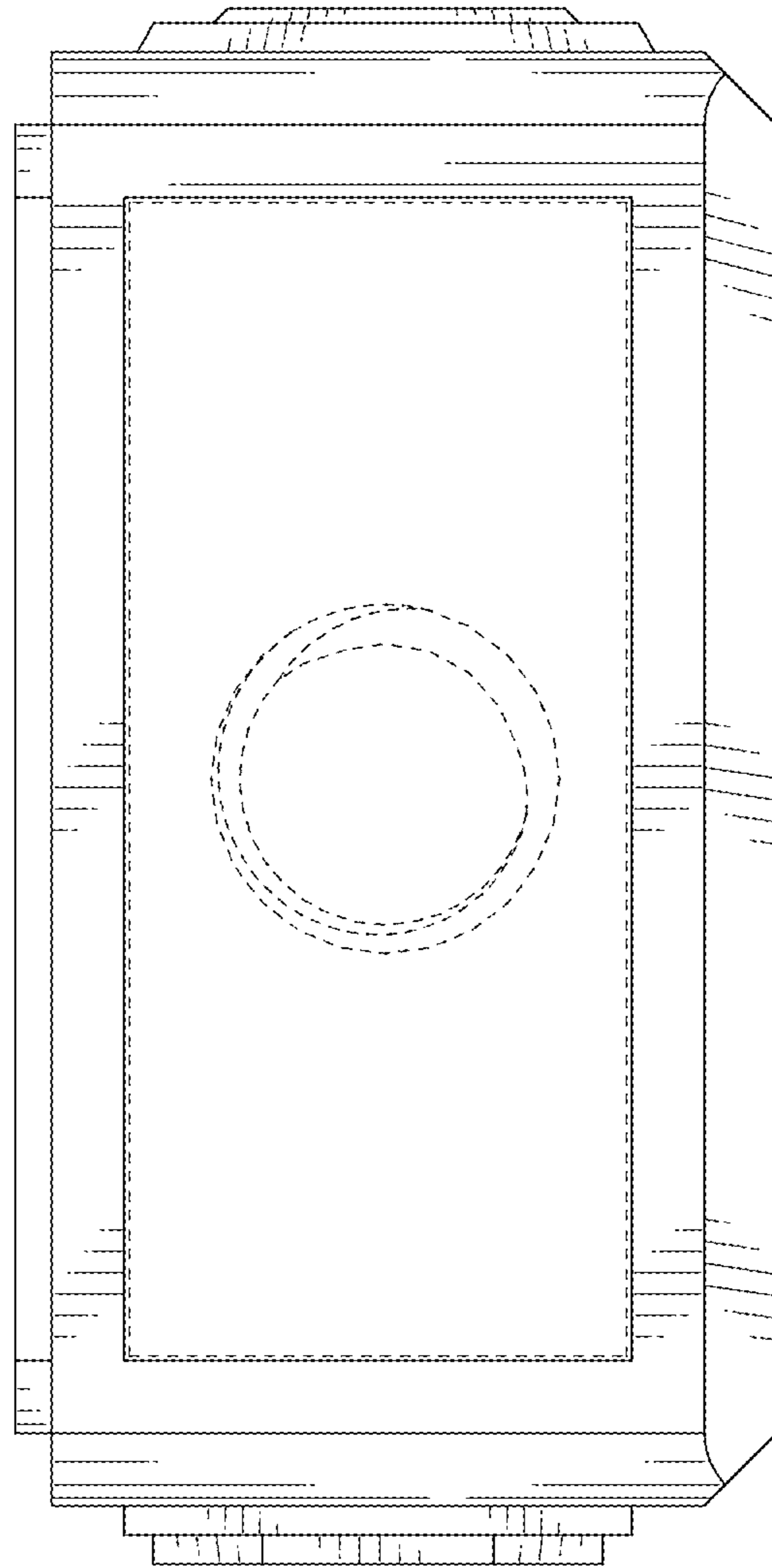


FIG. 8