



US00D981461S

(12) **United States Design Patent**  
**Guo**

(10) **Patent No.:** **US D981,461 S**

(45) **Date of Patent:** **\*\* Mar. 21, 2023**

- (54) **VACUUM SEALER HOOD**
- (71) Applicant: **Weiwei Guo**, Yangxin (CN)
- (72) Inventor: **Weiwei Guo**, Yangxin (CN)
- (\*\*) Term: **15 Years**
- (21) Appl. No.: **29/834,578**
- (22) Filed: **Apr. 13, 2022**
- (51) **LOC (14) Cl.** ..... **15-10**
- (52) **U.S. Cl.**  
USPC ..... **D15/146**
- (58) **Field of Classification Search**  
USPC ..... D15/122, 126, 134, 146; D7/336, 337,  
D7/352, 356, 362, 602; D9/435, 439,  
D9/500, 503, 504, 516  
CPC ..... B65B 31/00; B65B 31/02; B65B 31/024;  
B65B 31/048; B65B 51/10; B65B 51/14;  
B65B 51/146; B65B 41/12; B65B 31/04;  
B29C 66/8491; B29C 65/30; B41F 16/00;  
B41F 16/0026; B41F 16/0093; B41F  
1/38; B30B 15/047; B30B 15/061; B30B  
15/064; B30B 15/34; B67B 6/00; B67C  
3/222  
See application file for complete search history.

- 5,449,079 A \* 9/1995 Yang ..... B65D 81/2038  
215/262
  - D406,731 S \* 3/1999 Lage ..... D7/615
  - D503,886 S \* 4/2005 Biesecker ..... D9/453
  - D646,991 S \* 10/2011 Murray ..... D10/69
  - D676,542 S 2/2013 Sinur et al.
  - D694,385 S 11/2013 Funnell, II
  - D699,831 S 2/2014 Funnell, II
  - D717,589 S \* 11/2014 Harshman ..... D7/392.1
  - D796,044 S \* 8/2017 Chu ..... D24/176
  - D820,992 S \* 6/2018 King ..... D8/354
- (Continued)

**OTHER PUBLICATIONS**

Queediz, Mason Jar Vacuum Sealer, (first available May 25, 2022), Amazon.com, URL:<<https://www.amazon.com/dp/B0B28J8Q1M>> (Year: 2022).\*

(Continued)

*Primary Examiner* — Calvin E Vansant  
*Assistant Examiner* — Mark T. Philipps  
(74) *Attorney, Agent, or Firm* — Runit Ranjit Kanakia

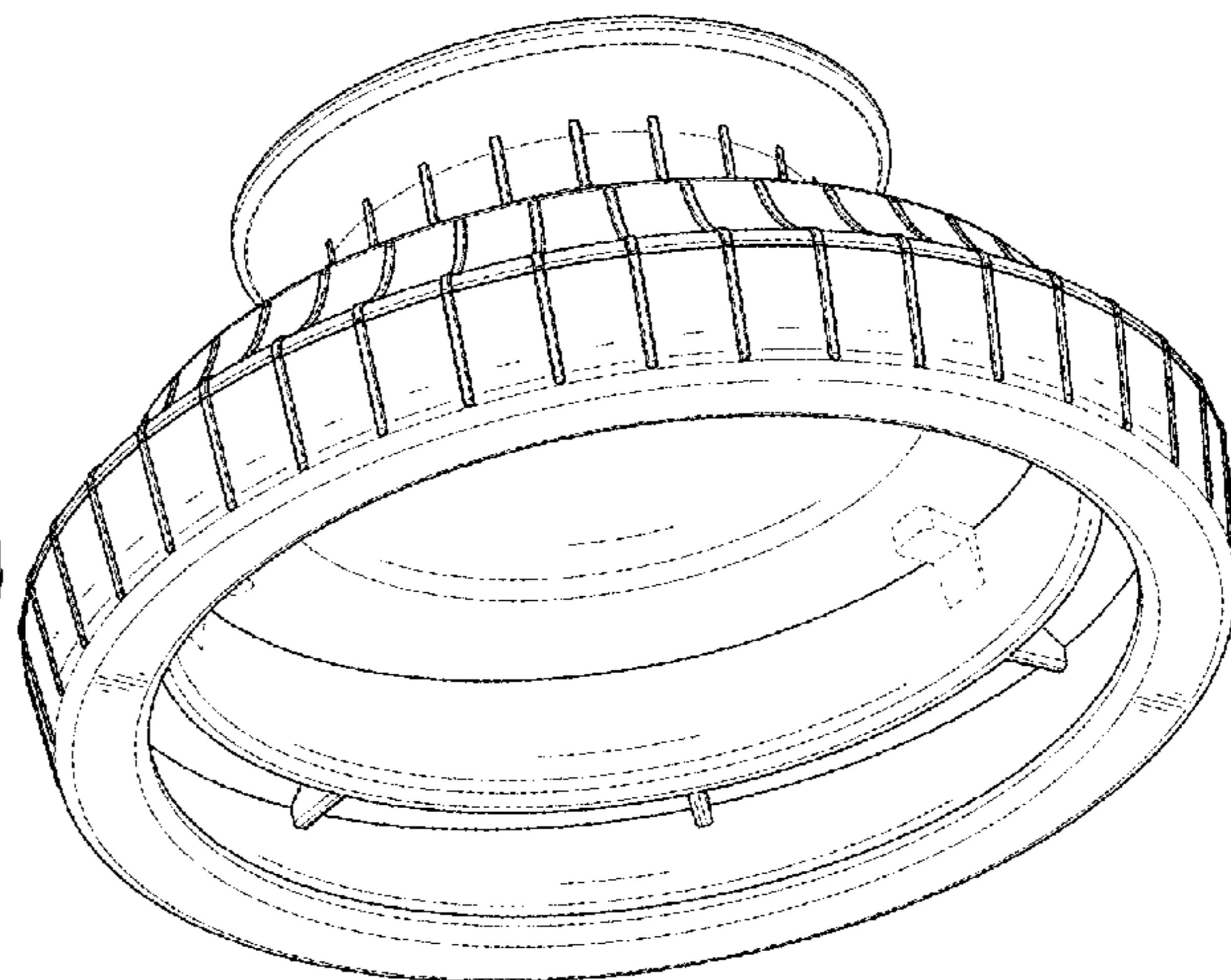
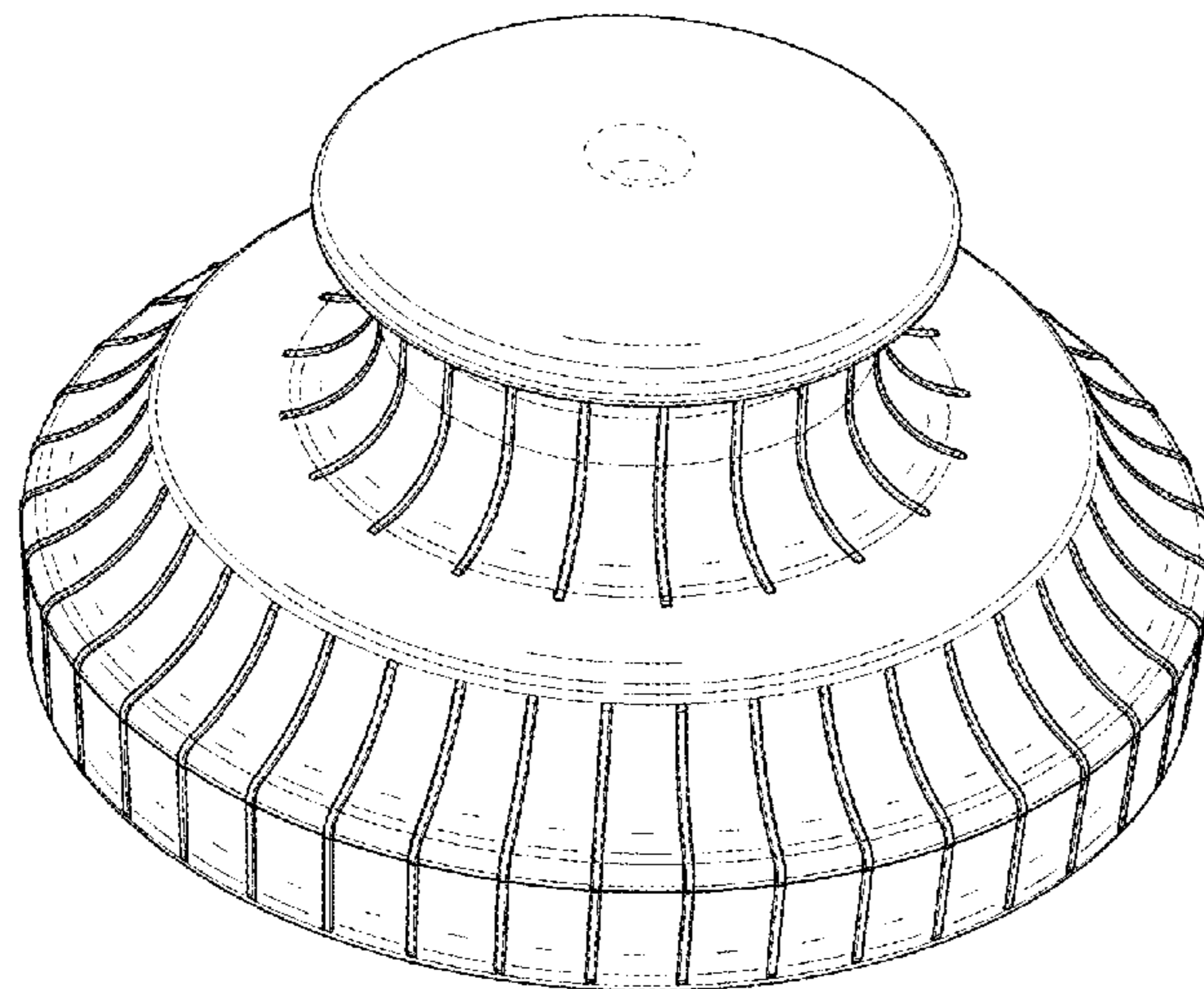
(57) **CLAIM**

The ornamental design for a vacuum sealer hood, as shown and described.

**DESCRIPTION**

FIG. 1 is a first perspective view of a vacuum sealer hood showing my new design;  
FIG. 2 is a second perspective view thereof;  
FIG. 3 is a front view thereof;  
FIG. 4 is a back view thereof;  
FIG. 5 is a left side view thereof;  
FIG. 6 is a right side view thereof;  
FIG. 7 is a top view thereof; and,  
FIG. 8 is a bottom view thereof.  
The broken lines shown in the drawings depict portions of the vacuum sealer hood that form no part of the claimed design.

**1 Claim, 8 Drawing Sheets**



(56)

**References Cited**

U.S. PATENT DOCUMENTS

D883,596 S \* 5/2020 Li ..... D32/25  
D903,469 S \* 12/2020 Wang ..... D8/349  
2004/0065051 A1 \* 4/2004 Patterson ..... B65B 51/146  
53/510  
2017/0036831 A1 \* 2/2017 Gordon ..... G07C 9/33

OTHER PUBLICATIONS

Oeop, Accessory Hose Wide Mouth Jar Kits Compatible with FoodSaver Vacuum Sealer Machine, (first available Feb. 10, 2022), Amazon.com, URL:<<https://www.amazon.com/dp/B09S6JKQVH>> (Year: 2022).\*

Cheemepie, Mason Jar Vacuum Sealer, (first available Jun. 10, 2022), Amazon.com, URL:<<https://www.amazon.com/dp/B0B3RCBM7G>> (Year: 2022).\*

Lafinynp, Mason Jar Vacuum Sealer, (first available Jul. 13, 2022), Amazon.com, URL:<<https://www.amazon.com/dp/B0B49N3K65>> (Year: 2022).\*

\* cited by examiner

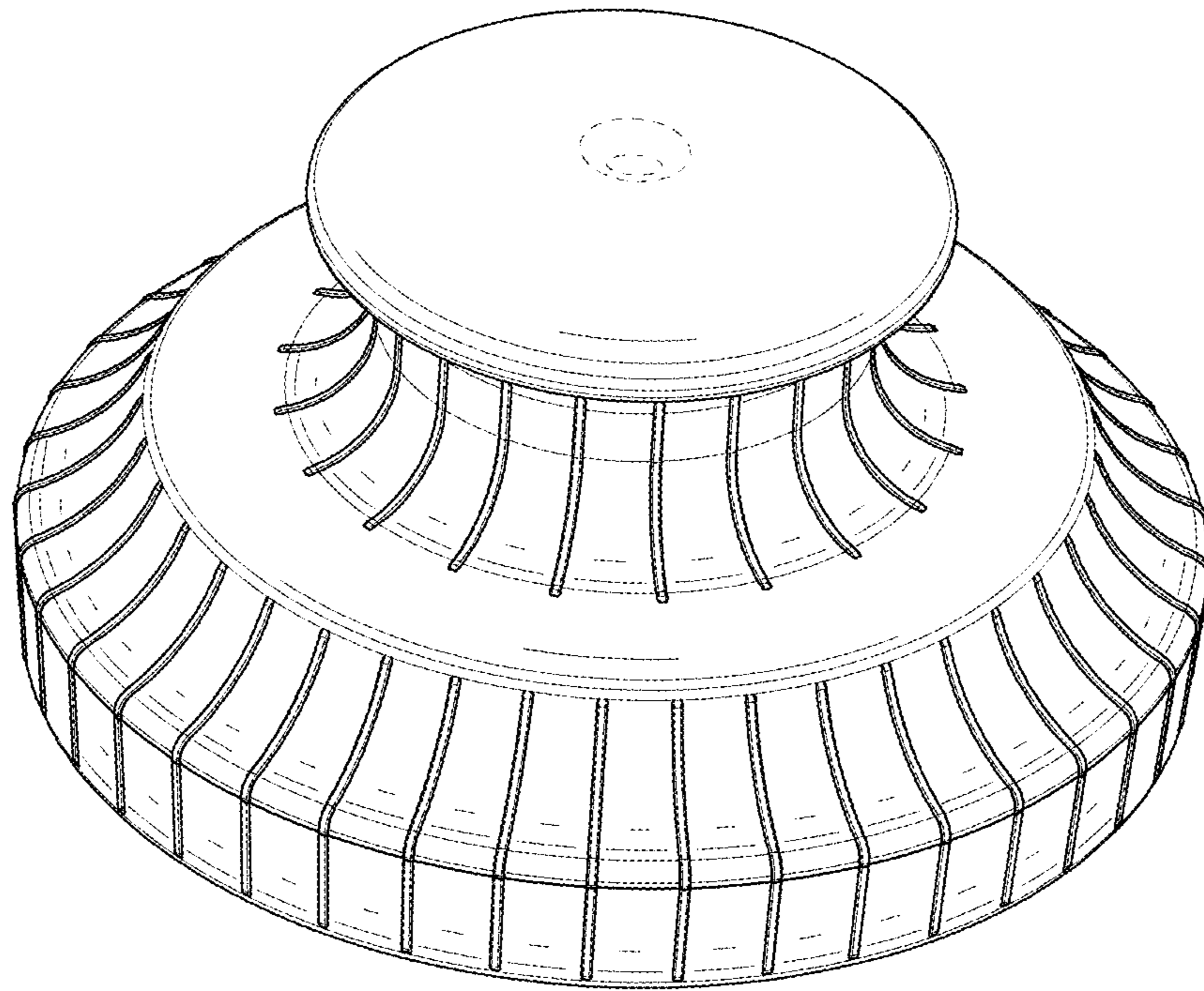


FIG. 1

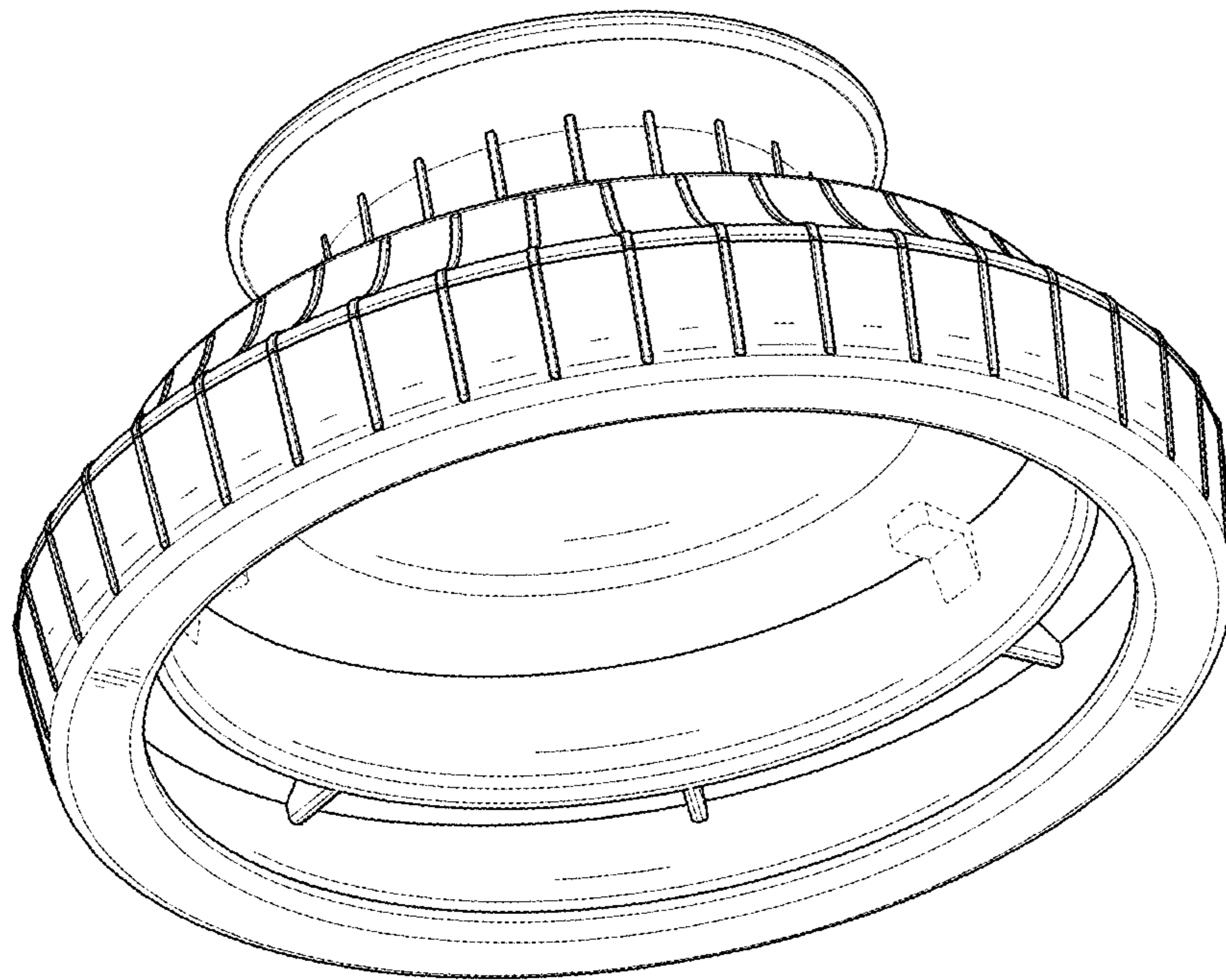


FIG. 2

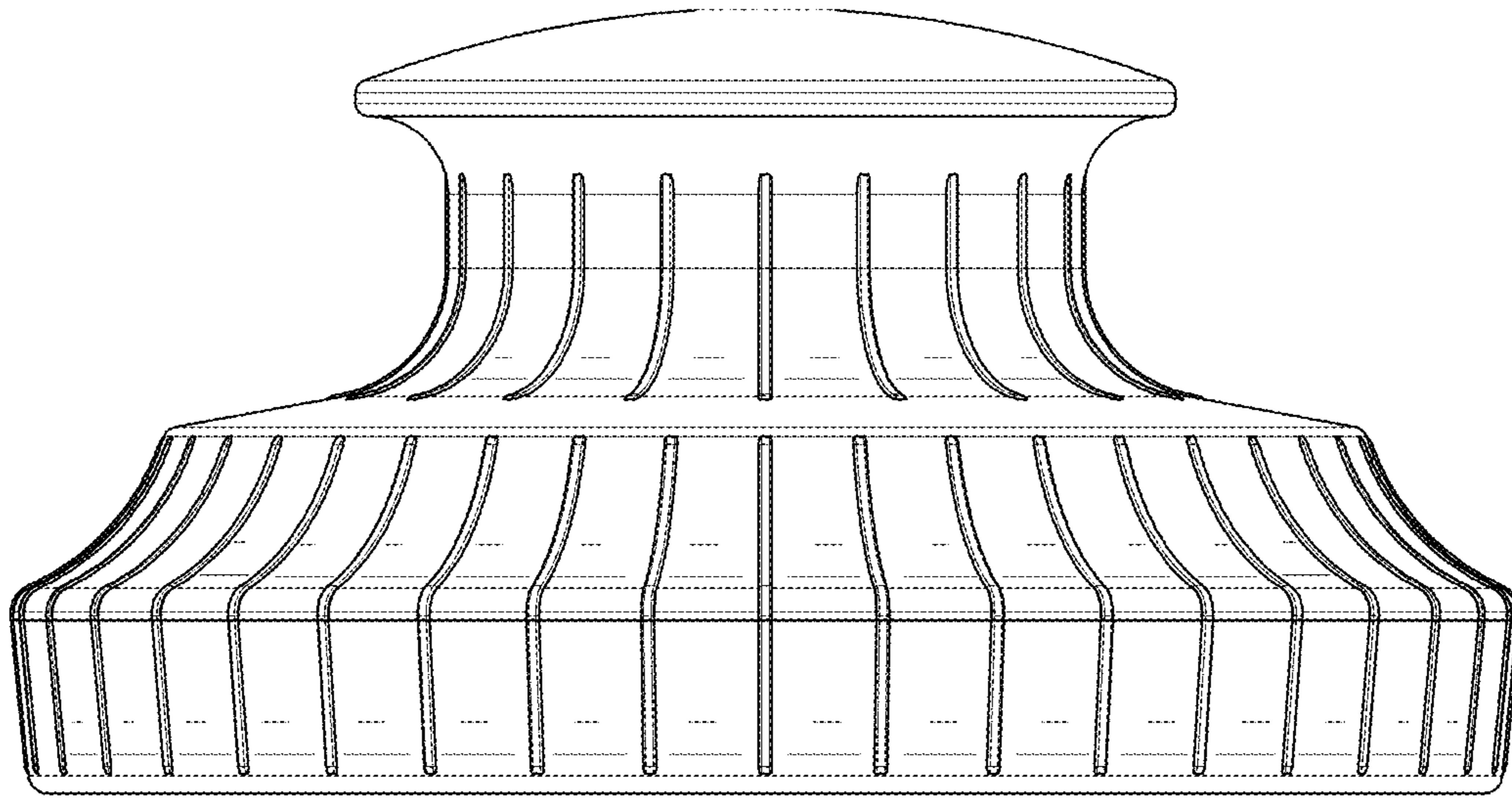


FIG. 3

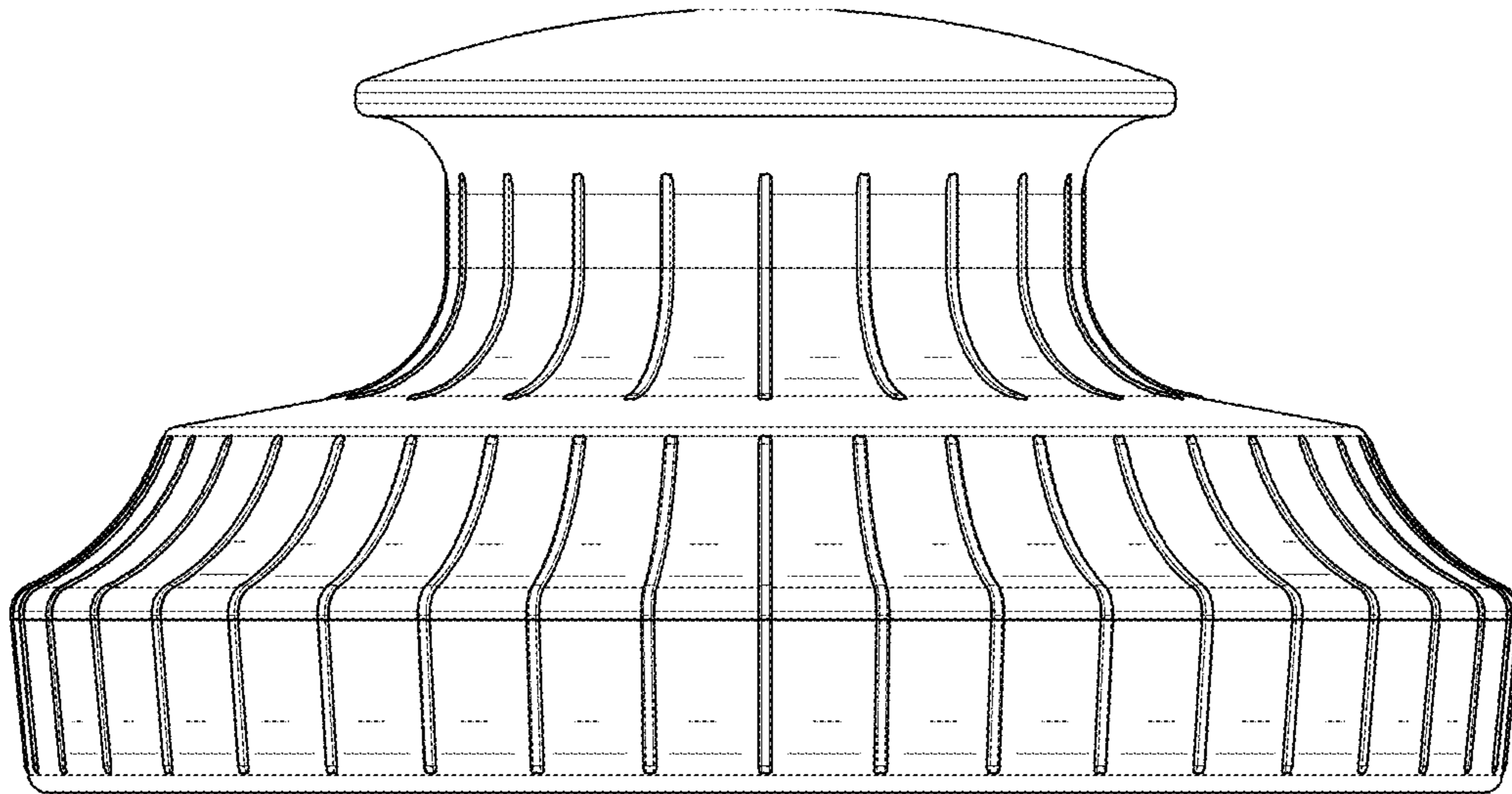


FIG. 4

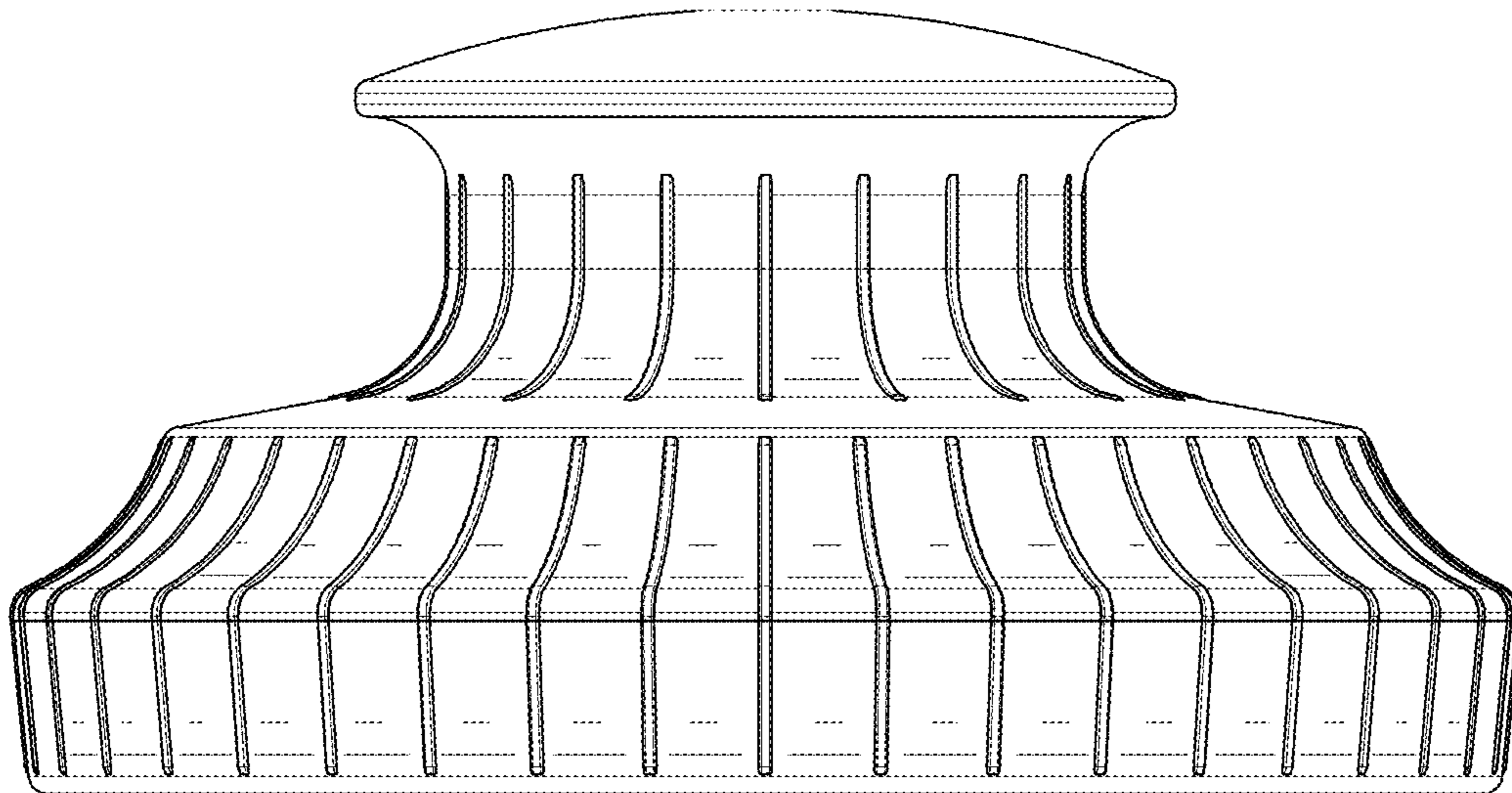


FIG. 5

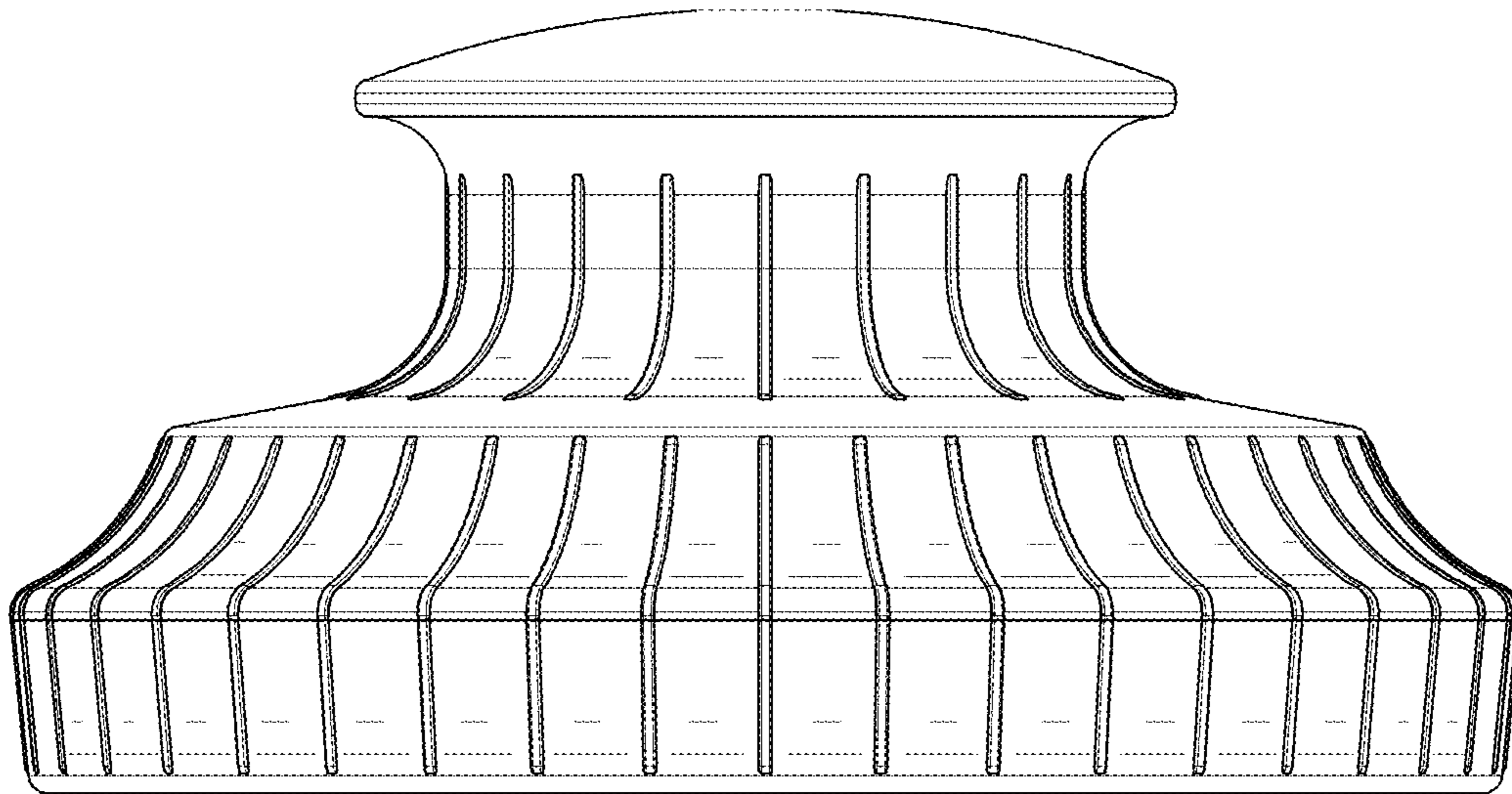


FIG. 6



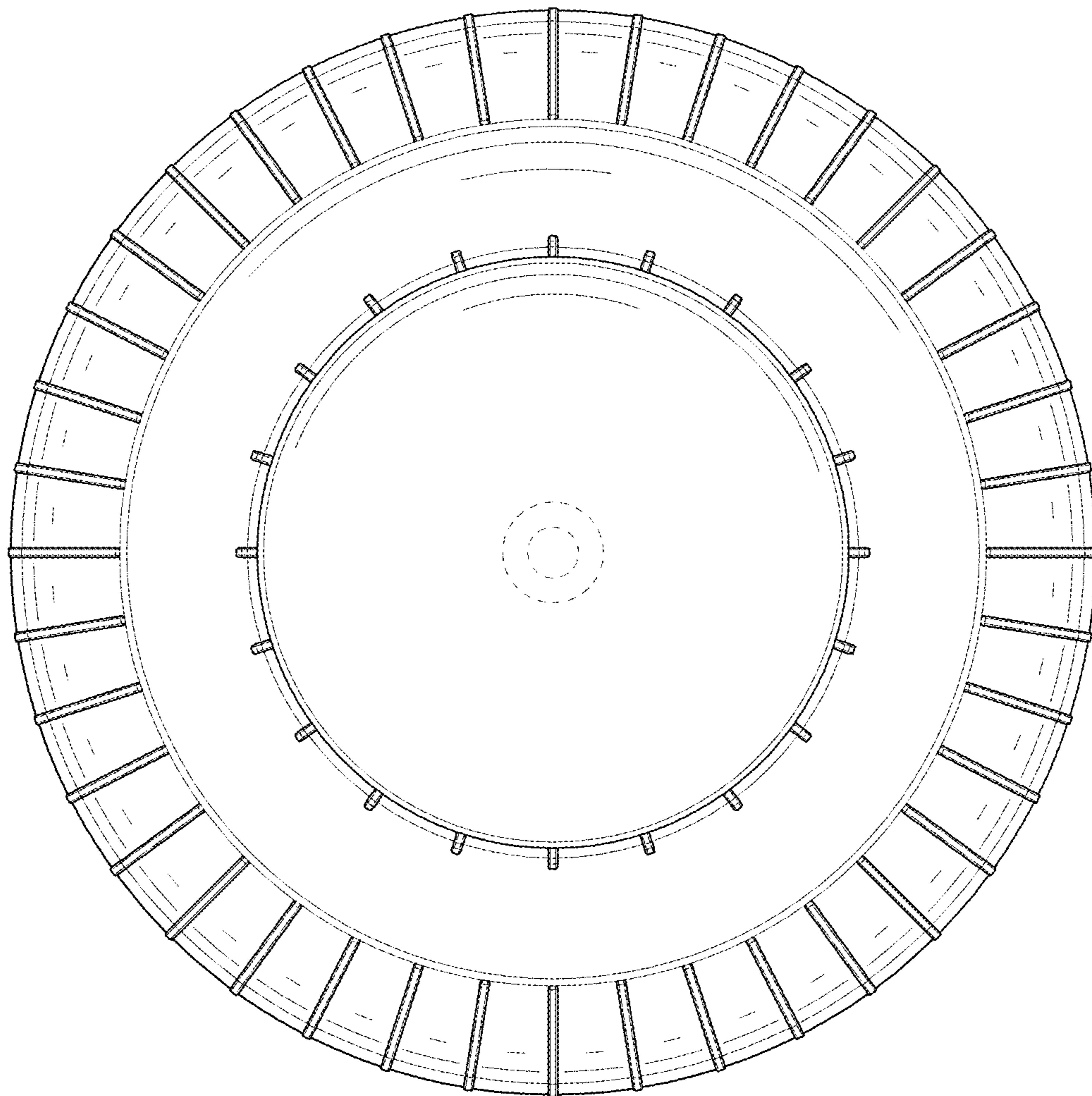


FIG. 7

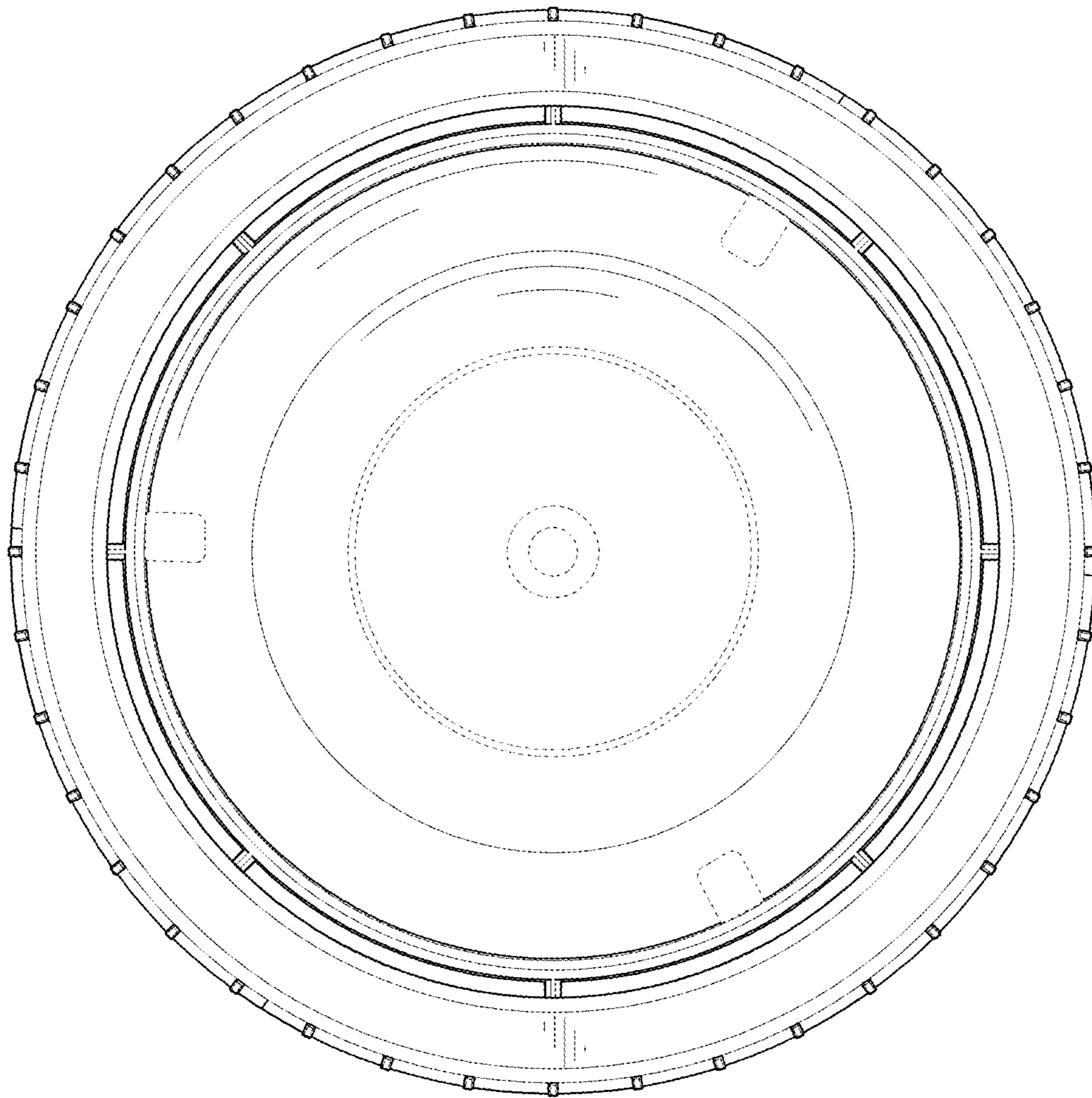


FIG. 8